

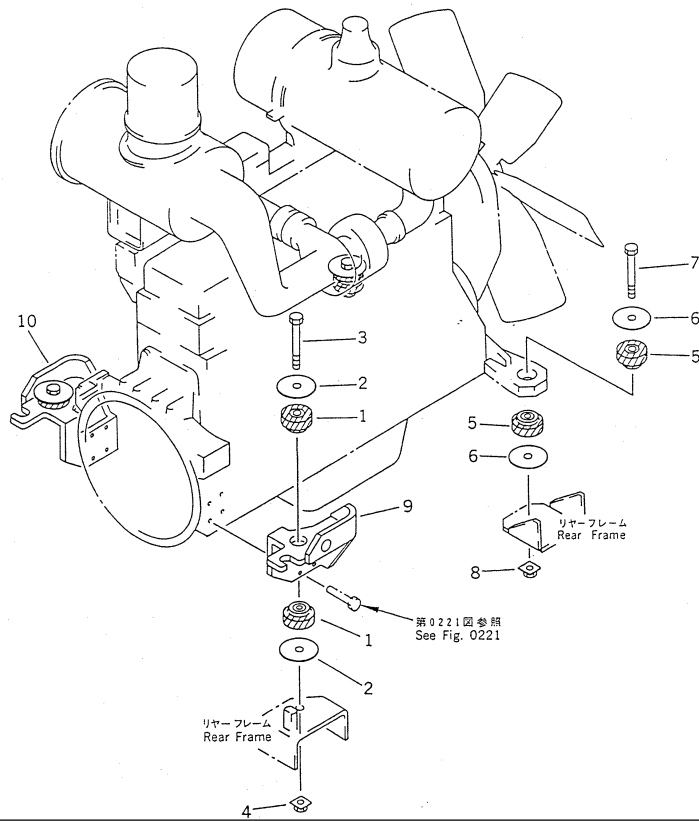
WF600T-1 S/N 10001-UP
WF600T-1 S/N 10001-UP

Item	Part Name
	S6D140-1X-F S/N 10001-UP
10	ENGINE RELATED PARTS AND ELECTRICAL SYSTEM
20	TORQUE CONVERTOR AND TRANSMISSION
30	DRIVE SHAFT?DIFFERENTIAL AND WHEELS
40	STEERING AND CONTROL SYSTEM
50	FRAME AND GUARD
60	WORK EQUIPMENT CONTROL SYSTEM
70	WORK EQUIPMENT
90	MARK PLATE?TOOL AND KIT

WF600T-1 S/N 10001-UP
ENGINE RELATED PARTS AND ELECTRICAL SYSTEM

Item	Part Name	Qty
10	ENGINE MOUNTING PARTS	1
20	ENGINE RELATED PARTS	1
30	ACCELERATOR PEDAL AND LINKAGE	1
40	ENGINE CONTROL LEVER	1
50	RADIATOR	1
60	RADIATOR COVER	1
70	RADIATOR PIPING (1/2)	1
80	RADIATOR PIPING (2/2)	1
90	FUEL TANK	1
100	BATTERY	1
110	BATTERY BOX	1
120	INSTRUMENT PANEL	1
130	ELECTRICAL SYSTEM (CONSOLE BOX?L.H.)	1
140	ELECTRICAL SYSTEM (CONSOLE BOX?R.H.)	1
150	ELECTRICAL SYSTEM (FRONT LINE)	1
160	ELECTRICAL SYSTEM (MAIN LINE) (1/2)	1
170	ELECTRICAL SYSTEM (MAIN LINE) (2/2)	1
180	ELECTRICAL SYSTEM (ENGINE LINE)	1
190	ELECTRICAL SYSTEM (BATTERY LINE)	1
200	ELECTRICAL SYSTEM (REAR LAMP)	1
210	MONITOR PANEL	1
220	SENSOR	1

WF600T-1 S/N 10001-UP
 @@46723@

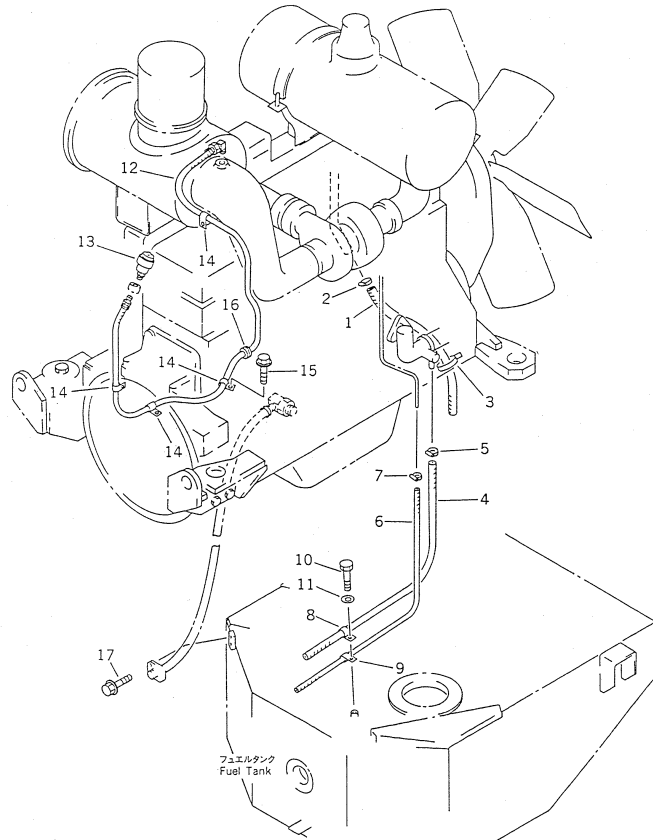


Ref. 1001

Page 030010

WF600T-1 S/N 10001-UP
 ENGINE MOUNTING PARTS

Item	Part No.	Part Name	Qty	Serial No.
1	425-01-11370	CUSHION	4	10001-
2	424-01-11220	WASHER	4	10001-
3	01011-32225	BOLT	2	10001-
4	425-01-11250	PLATE	2	10001-
5	425-01-11350	CUSHION	4	10001-
6	424-01-11220	WASHER	4	10001-
7	01011-32225	BOLT	2	10001-
8	425-01-11250	PLATE	2	10001-
9	(41L-01-11110)	BRACKET,L.H.	1	10001-
10	(41L-01-11120)	BRACKET,R.H.	1	10001-

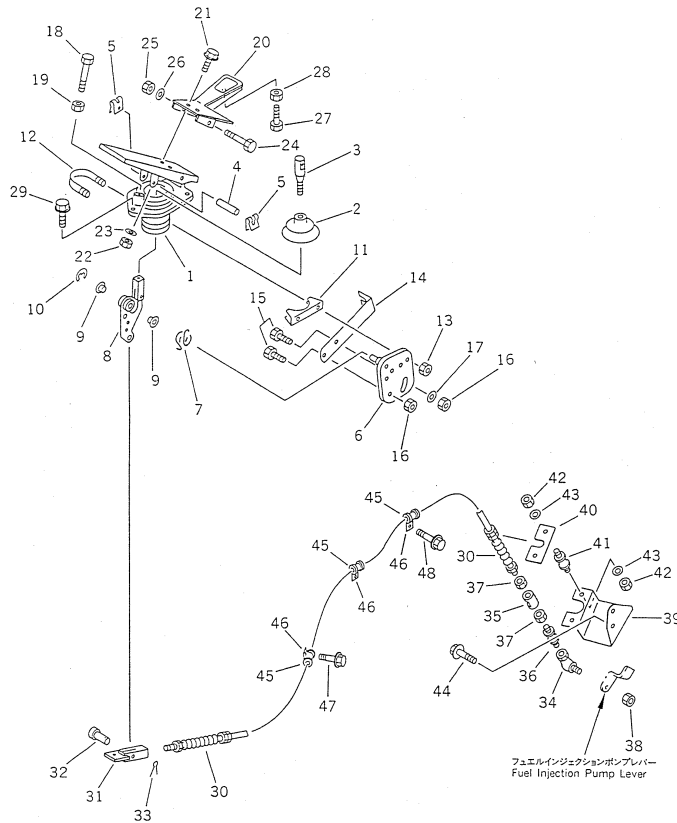


Ref. 1011

Page 030020

**WF600T-1 S/N 10001-UP
ENGINE RELATED PARTS**

Item	Part No.	Part Name	Qty	Serial No.
1	07260-22080	HOSE	1	10001-
2	07280-03423	CLAMP	1	10001-
3	08034-20536	BAND	1	10001-
4	07260-21480	HOSE	1	10001-
5	07280-02523	CLAMP	1	10001-
6	07270-01070	TUBE	1	10001-
7	07280-01620	CLAMP	1	10001-
8	08036-02514	CLIP	1	10001-
9	08036-01414	CLIP	1	10001-
10	01010-51020	BOLT	1	10001-
11	01643-31032	WASHER	1	10001-
12	08671-50170	HOSE	1	10001-
13	08670-02001	INDICATOR,DUST	1	10001-
14	04434-51410	CLIP	4	10001-
15	01435-01016	BOLT	4	10001-
16	08037-01610	GROMMET	1	10001-
17	01435-01025	BOLT	2	10001-

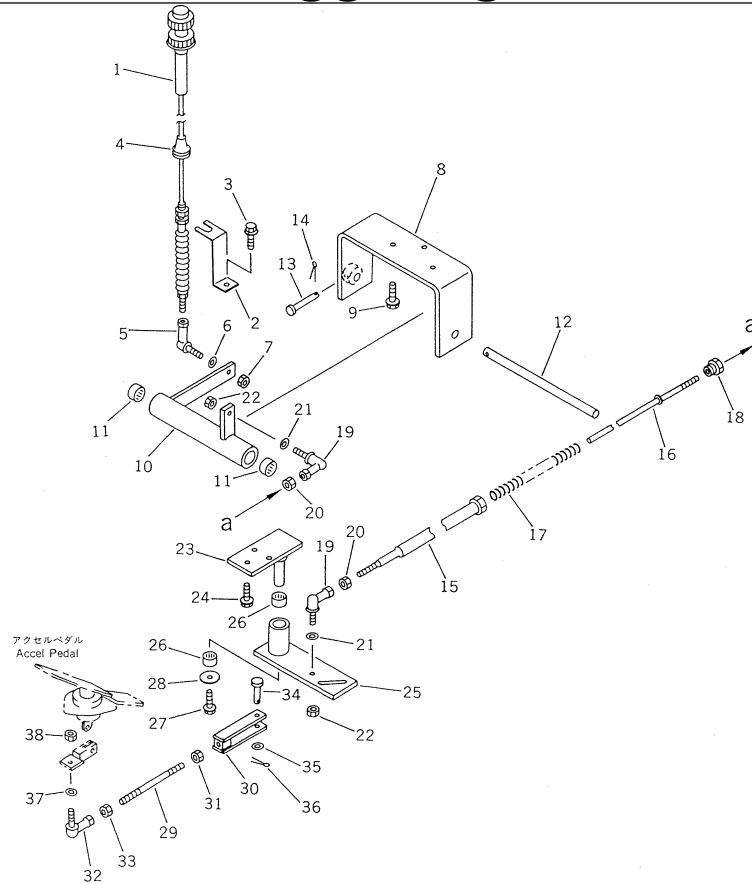


WF600T-1 S/N 10001-UP
ACCELERATOR PEDAL AND LINKAGE

Item	Part No.	Part Name	Qty	Serial No.
1	41L-43-11120	PEDAL ASS'Y	1	10001-
2	417-43-11360	· BOOT	1	10001-
3	417-43-11310	· ROD	1	10001-
4	417-43-11320	· PIN	1	10001-
5	417-43-11330	· CLIP	2	10001-
6	417-43-11220	· PLATE	1	10001-
7	417-43-11240	· SPRING	1	10001-
8	417-43-11230	· LEVER	1	10001-
9	417-43-11250	· BEARING	2	10001-
10	417-43-11260	· CLIP	1	10001-
11	417-43-11290	· SUPPORT	1	10001-
12	417-43-11270	· U-BOLT	1	10001-
13	417-43-11280	· NUT	2	10001-
14	421-43-11320	· SUPPORT	1	10001-
15	01010-50616	· BOLT	2	10001-
16	417-43-11350	· NUT	2	10001-
17	01643-30623	· WASHER	1	10001-
18	01010-50870	· BOLT	1	10001-
19	01580-10806	· NUT	1	10001-
20	41K-Z18-1221	PEDAL	1	10001-
21	01435-00620	BOLT	2	10001-
22	426-09-11130	NUT	2	10001-
23	01643-30623	WASHER	2	10001-
24	424-16-11431	BOLT	1	10001-
25	426-09-11130	NUT	1	10001-
26	01643-30623	WASHER	1	10001-
27	01010-51025	BOLT	1	10001-
28	01580-11008	NUT	1	10001-
29	01435-00620	BOLT	3	10001-

WF600T-1 S/N 10001-UP
ACCELERATOR PEDAL AND LINKAGE

Item	Part No.	Part Name	Qty	Serial No.
30	41L-43-11110	CABLE	1	10001-
31	41K-Z18-1320	YOKE	1	10001-
32	04205-10620	PIN	1	10001-
33	04050-11612	PIN,COTTER	1	10001-
34	424-09-12450	JOINT	1	10001-
35	421-43-11330	ROD	1	10001-
36	424-43-11240	CUSHION	1	10001-
37	01580-10605	NUT	2	10001-
38	426-09-11130	NUT	1	10001-
39	425-43-11242	BRACKET	1	10001-
40	425-43-11250	PLATE	1	10001-
41	424-43-11240	CUSHION	2	10001-
42	01580-10605	NUT	4	10001-
43	424-43-11250	WASHER	4	10001-
44	01435-01020	BOLT	2	10001-
45	425-43-11180	GROMMET	3	10001-
46	08036-12514	CLIP	3	10001-
47	01435-01220	BOLT	1	10001-
48	01435-01016	BOLT	2	10001-



Ref. 1105

Page 030040

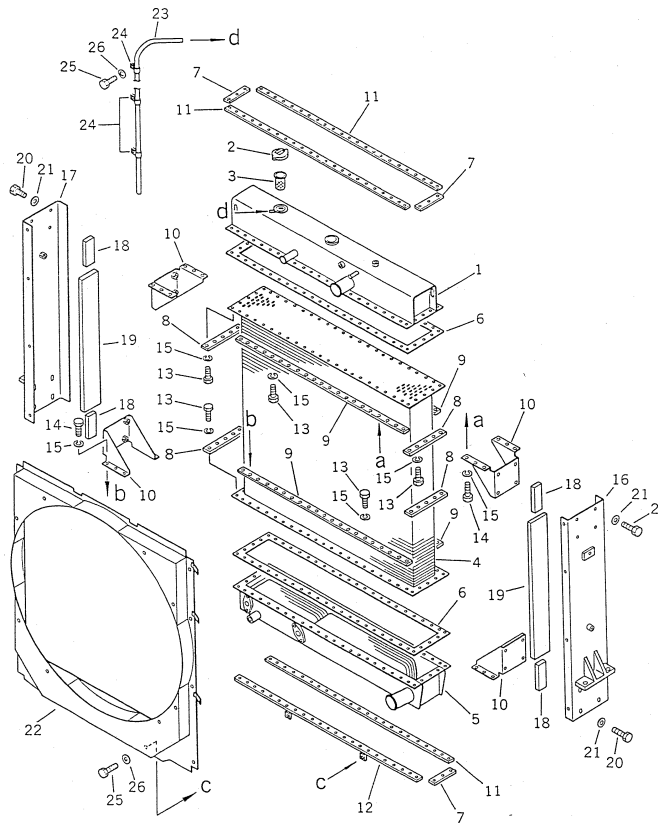
**WF600T-1 S/N 10001-UP
ENGINE CONTROL LEVER**

Item	Part No.	Part Name	Qty	Serial No.
1	41K-Z18-1380	CABLE	1	10001-
2	41K-Z18-1270	BRACKET	1	10001-
3	01435-00816	BOLT	1	10001-
4	08037-11825	GROMMET	1	10001-
5	04256-40616	JOINT	1	10001-
6	01643-30623	WASHER	1	10001-
7	426-09-11130	NUT	1	10001-
8	41K-Z18-1250	BRACKET	1	10001-
9	01435-01025	BOLT	3	10001-
10	41K-Z18-1291	LEVER	1	10001-
11	195-61-41260	BEARING	2	10001-
12	41K-Z18-1330	PIN	1	10001-
13	20T-26-11220	PIN	1	10001-
14	04050-11612	PIN,COTTER	1	10001-
15	41K-Z18-1340	ROD	1	10001-
16	41K-Z18-1371	ROD	1	10001-
17	41K-Z18-1390	SPRING	1	10001-
18	41K-Z18-1360	NUT	1	10001-
19	04256-40818	JOINT	2	10001-
20	01580-10806	NUT	2	10001-
21	01643-30823	WASHER	2	10001-
22	426-09-11140	NUT	2	10001-
23	41K-Z18-1280	BRACKET	1	10001-
24	01435-01020	BOLT	3	10001-
25	41K-Z18-1351	PLATE	1	10001-
26	195-61-41260	BEARING	2	10001-
27	01435-01016	BOLT	1	10001-
28	417-43-16210	WASHER	1	10001-
29	04248-30809	ROD	1	10001-

WF600T-1 S/N 10001-UP
ENGINE CONTROL LEVER

Item	Part No.	Part Name	Qty	Serial No.
30	41K-Z18-1311	YOKE	1	10001-
31	01580-10806	NUT	1	10001-
32	04256-50818	JOINT	1	10001-
33	01508-20805	NUT	1	10001-
34	04205-10835	PIN	1	10001-
35	01641-20812	WASHER	1	10001-
36	04050-12015	PIN,COTTER	1	10001-
37	01643-30823	WASHER	1	10001-
38	426-09-11140	NUT	1	10001-

WF600T-1 S/N 10001-UP
 @@46726@

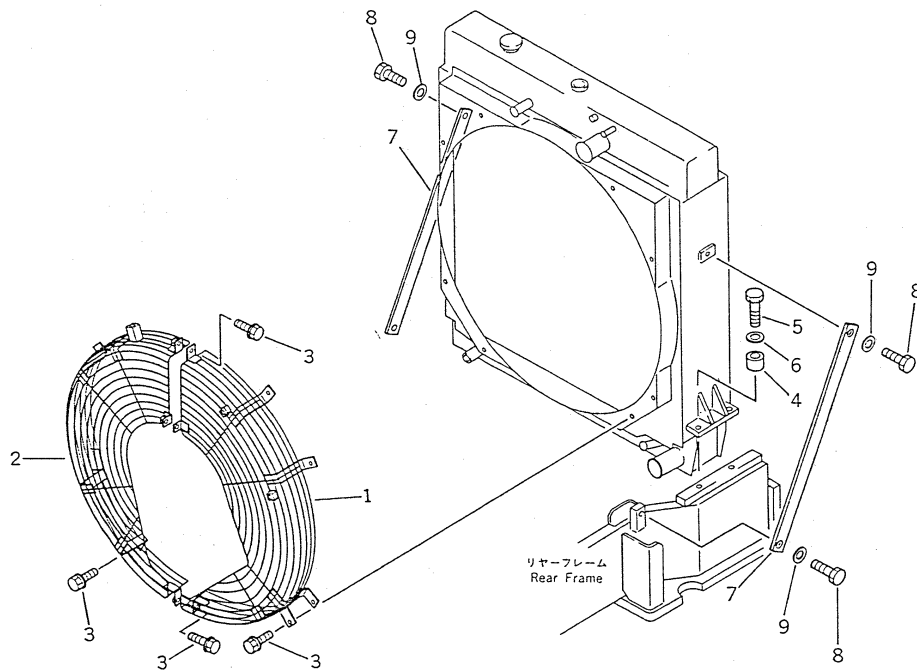


Ref. 1201

Page 030050

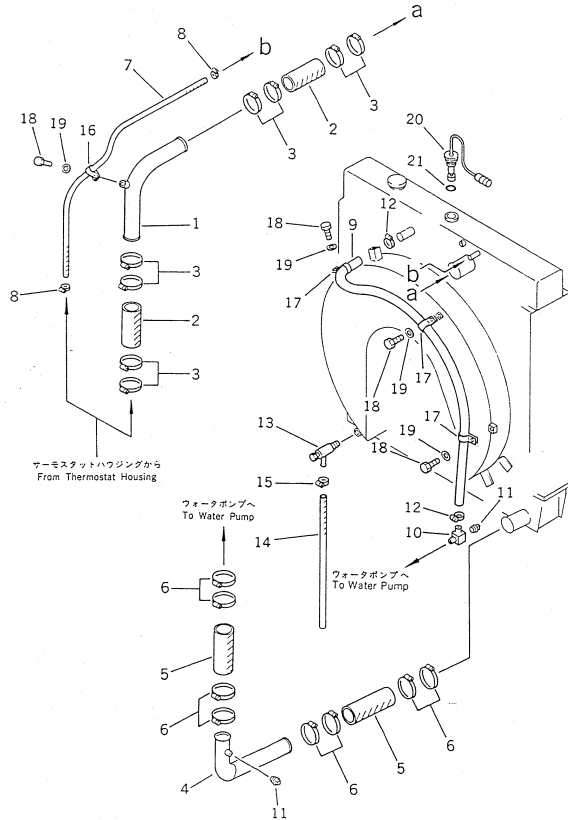
WF600T-1 S/N 10001-UP
 RADIATOR

Item	Part No.	Part Name	Qty	Serial No.
	41L-03-11100	RADIATOR ASS'Y	1	10001-
1	425-03-11122	• TANK,UPPER	1	10001-
2	421-03-11460	• CAP	1	10001-
3	101-03-13160	• STRAINER	1	10001-
4	41L-03-11110	• CORE	1	10001-
5	41L-03-11120	• TANK,LOWER (WITH OIL COOLER)	1	10001-
6	425-03-11191	• GASKET	2	10001-
7	421-03-11260	• PLATE	4	10001-
8	425-03-11181	• PLATE	4	10001-
9	425-03-11171	• PLATE	4	10001-
10	425-03-11161	• BRACKET	4	10001-
11	425-03-11340	• PLATE	3	10001-
12	425-03-11290	• PLATE	1	10001-
13	01010-51030	• BOLT	80	10001-
14	01010-51035	• BOLT	24	10001-
15	01602-21030	• WASHER,SPRING	104	10001-
16	41L-03-11130	• SUPPORT,L.H.	1	10001-
17	41L-03-11140	• SUPPORT,R.H.	1	10001-
18	425-03-11350	• PACKING	4	10001-
19	41L-03-11160	• PACKING	2	10001-
20	01010-51225	• BOLT	16	10001-
21	01643-31232	• WASHER	16	10001-
22	41L-03-11150	• SHROUD	1	10001-
23	425-03-11370	• HOSE	1	10001-
24	232-03-11210	• CLIP	3	10001-
25	01010-51025	• BOLT	10	10001-
26	01643-31032	• WASHER	10	10001-



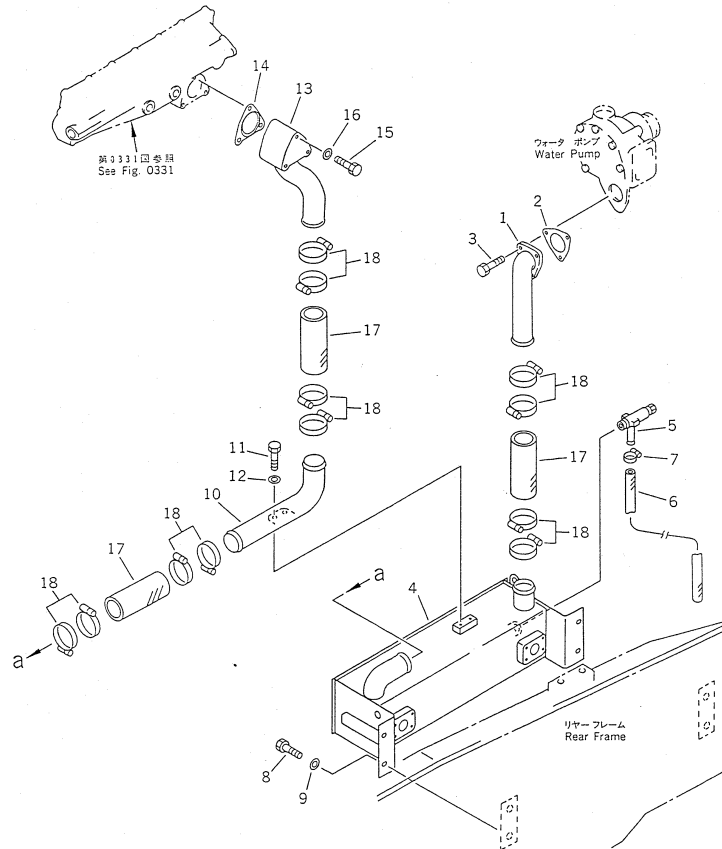
WF600T-1 S/N 10001-UP
 RADIATOR COVER

Item	Part No.	Part Name	Qty	Serial No.
1	425-03-11313	NET,L.H.	1	10001-
2	425-03-11323	NET,R.H.	1	10001-
3	01435-01020	BOLT	11	10001-
4	425-03-12170	SPACER	4	10001-
5	01010-32070	BOLT	4	10001-
6	01643-32060	WASHER	4	10001-
7	425-03-11331	PLATE	2	10001-
8	01010-32055	BOLT	4	10001-
9	01643-32060	WASHER	4	10001-



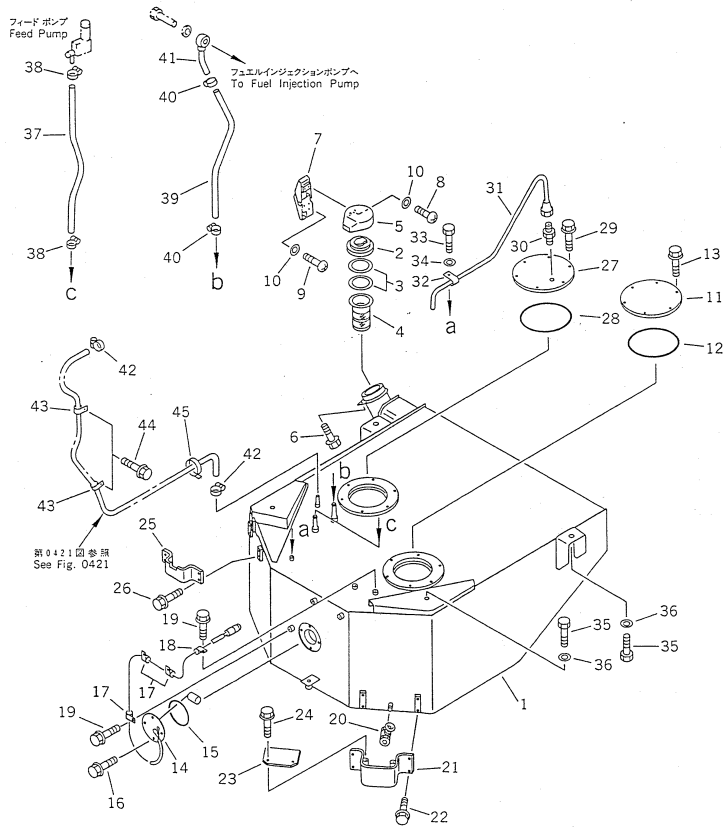
WF600T-1 S/N 10001-UP
RADIATOR PIPING (1/2)

Item	Part No.	Part Name	Qty	Serial No.
1	425-03-12111	TUBE	1	10001-
2	425-03-12120	HOSE	2	10001-
3	07281-00809	CLAMP	8	10001-
4	41L-03-11210	TUBE	1	10001-
5	425-03-12180	HOSE	2	10001-
6	07281-01029	CLAMP	8	10001-
7	09483-00308	HOSE	1	10001-
8	07281-00197	CLAMP	2	10001-
9	09483-06160	HOSE	1	10001-
10	425-03-12230	ELBOW	1	10001-
11	425-03-12240	PLUG	2	10001-
12	07281-00419	CLAMP	2	10001-
13	07730-30004	VALVE	1	10001-
14	07260-21445	HOSE	1	10001-
15	07281-00259	CLAMP	1	10001-
16	424-06-12740	CLIP	1	10001-
17	113-899-7950	CLIP	3	10001-
18	01010-51020	BOLT	4	10001-
19	01643-31032	WASHER	4	10001-
20	(7861-91-4540)	SENSOR,RADIATOR WATER LEVEL	1	10001-
21	07002-23634	O-RING	1	10001-



WF600T-1 S/N 10001-UP
RADIATOR PIPING (2/2)

Item	Part No.	Part Name	Qty	Serial No.
1	41L-03-11220	TUBE	1	10001-
2	6210-61-6330	GASKET	1	10001-
3	01010-51035	BOLT	3	10001-
4	41L-03-11300	OIL COOLER ASS'Y	1	10001-
5	6127-61-8411	VALVE ASS'Y,DRAIN	1	10001-
6	09483-40507	HOSE	1	10001-
7	07281-00259	CLAMP	1	10001-
8	01010-51225	BOLT	4	10001-
9	01643-31232	WASHER	4	10001-
10	41L-03-11240	TUBE	1	10001-
11	01010-51225	BOLT	2	10001-
12	01643-31232	WASHER	2	10001-
13	41L-03-11230	TUBE	1	10001-
14	6210-61-6340	GASKET	1	10001-
15	01011-51055	BOLT	3	10001-
16	01643-31032	WASHER	3	10001-
17	425-03-12120	HOSE	3	10001-
18	07281-00809	CLAMP	12	10001-



WF600T-1 S/N 10001-UP

FUEL TANK

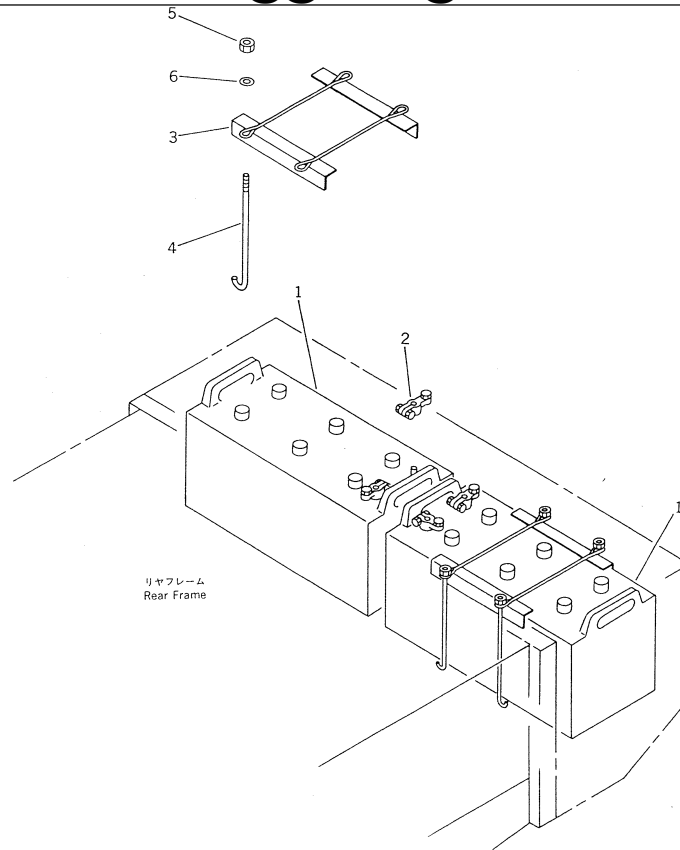
Item	Part No.	Part Name	Qty	Serial No.
1	41L-04-11111	TANK	1	10001-
2	423-04-11361	CAP	1	10001-
3	20Y-04-11240	・ PACKING	1	10001-
	423-04-11770	・ PACKING, 1.0MM	1	10001-
4	07056-18416	STRAINER	1	10001-
5	425-04-11161	COVER	1	10001-
6	01435-01020	BOLT	2	10001-
7	421-09-12321	HOLDER	1	10001-
8	01220-40508	SCREW	2	10001-
9	01220-40512	SCREW	3	10001-
10	01641-20508	WASHER	5	10001-
11	428-04-11120	COVER	1	10001-
12	07000-05200	O-RING	1	10001-
13	01435-01025	BOLT	6	10001-
14	7861-91-4830	SENSOR,FUEL LEVEL	1	10001-
15	07000-02085	O-RING	1	10001-
16	01435-01014	BOLT	4	10001-
17	04434-50610	CLIP	3	10001-
18	08052-11711	CLIP	1	10001-
19	01435-01016	BOLT	4	10001-
20	416-04-10130	VALVE,DRAIN	1	10001-
21	41L-04-12110	COVER	1	10001-
22	01435-01225	BOLT	4	10001-
23	41L-04-12140	PLATE	1	10001-
24	01435-01230	BOLT	2	10001-
25	41L-04-12120	COVER	1	10001-
26	01435-01225	BOLT	4	10001-
27	421-04-11182	COVER	1	10001-
28	07000-05200	O-RING	1	10001-

WF600T-1 S/N 10001-UP
FUEL TANK

Item	Part No.	Part Name	Qty	Serial No.
29	01435-01025	BOLT	6	10001-
30	423-09-12120	CONNECTOR	1	10001-
31	41L-04-12130	TUBE	1	10001-
32	424-04-11120	CLIP	1	10001-
33	01010-51020	BOLT	1	10001-
34	01643-31032	WASHER	1	10001-
35	01010-32470	BOLT	4	10001-
36	01643-32460	WASHER	4	10001-
37	07270-21065	TUBE	1	10001-
38	07281-00197	CLAMP	2	10001-
39	07270-21075	TUBE	1	10001-
40	07281-00197	CLAMP	2	10001-
41	424-04-11130	TUBE	1	10001-
42	07280-00910	CLAMP	2	10001-
43	08036-10814	CLIP	2	10001-
44	01435-01016	BOLT	2	10001-
45	08034-00310	BAND	1	10001-

WF600T-1 S/N 10001-UP

@@40447@



Ref. 1401

Page 030100

WF600T-1 S/N 10001-UP

BATTERY

Item	Part No.	Part Name	Qty	Serial No.
1	08000-32220	BATTERY, WET(165G51)	2	10001-
2	08000-00000	TERMINAL, (+)	2	10001-
	08000-00001	TERMINAL, (-)	2	10001-
3	41K-06-14130	HOLDER	2	10001-
4	113-06-31120	BOLT	8	10001-
5	01580-11008	NUT	8	10001-
6	01643-31032	WASHER	8	10001-



Download the full PDF manual instantly.

Our customer service e-mail:

aservicemanualpdf@yahoo.com