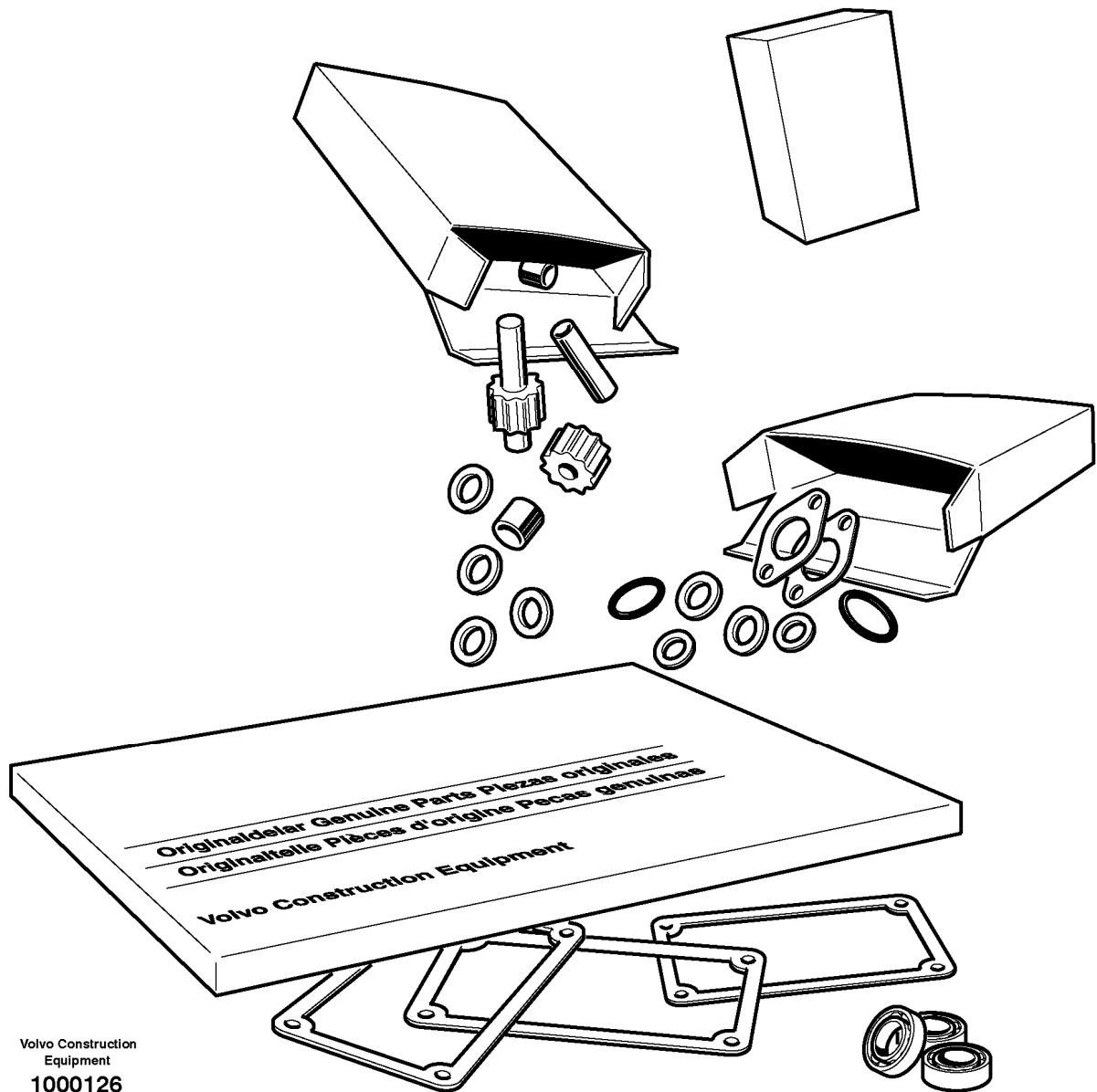


VOLVO

Construction Equipment

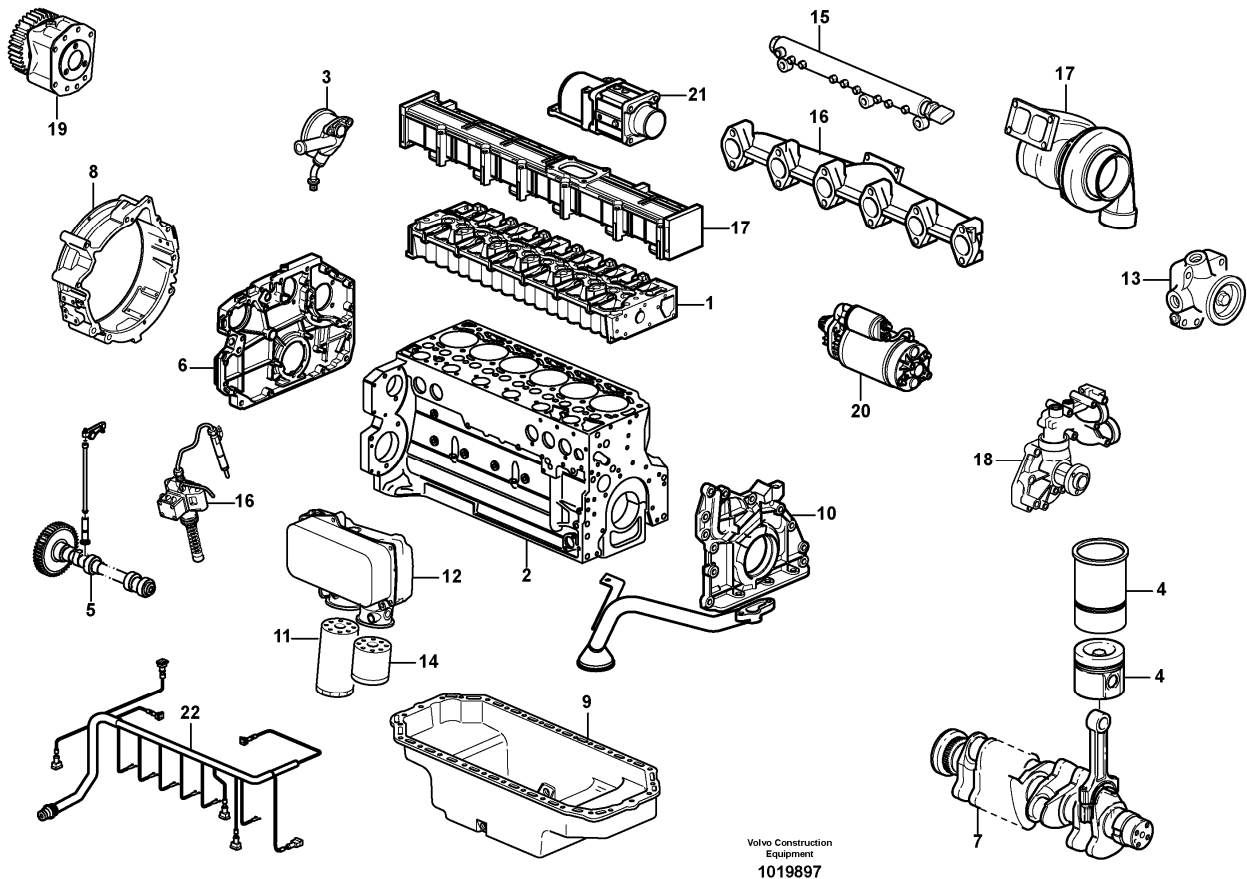
Date: 2014/2/24	Image id: 1000126	Catalogue: 20087	Model: L110E
Brand: Volvo	Serial: 2202-, 61001-61289, 70401-70433	Group/Section: 210/100	Title: Repair kits for engine



Volvo Construction
Equipment
1000126

Pos	Part	Q1	Q2	Q3	Q4	Q5	PS	Kit	Description	Option(s)	Remark
	VOE15011490	1							Overhaul kit		
	VOE15011483	1							•Cylinder head kit		
	VOE20865990	6							•Cyl Liner Kit		

Date: 2014/2/24	Image id: 1019897	Catalogue: 20087	Model: L110E
Brand: Volvo	Serial: 2202-, 61001-61289, 70401-70433	Group/Section: 210/150	Title: Engine

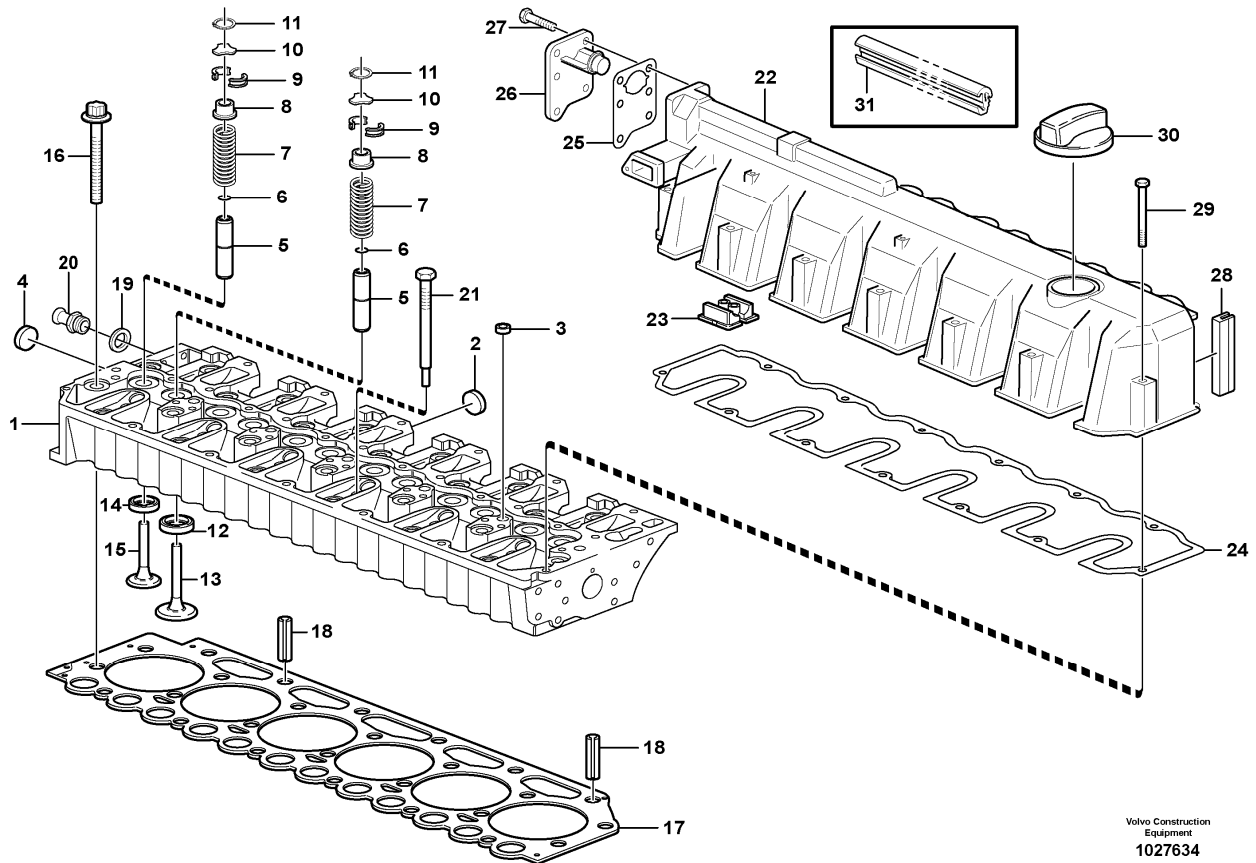


Section option	Kit	Option description
VOE11410961		Engine VOLVO D7ELBE3

Pos	Part	Q1	Q2	Q3	Q4	Q5	PS	Kit	Description	Option(s)	Remark
	VOE11410961	1							Engine		D7ELBE3
1		1							•Cylinder head		See ref 211/100
2		1							•Crankcase		See ref 212/100
3		1							•Crankcase Venti		See ref 212/150
4		1							•Cylinder Liner		See ref 213/100
5		1							•Camshaft		See ref 214/100
6		1							•Gear Housing		See ref 215/100
7		1							•Crankshaft		See ref 216/100
8		1							•Flywheel Hsg		See ref 216/150
9		1							•Oil Pan		See ref 217/100

10		1							•Oil Pump		See ref 221/100
11		1							•Oil Filter		See ref 222/100
12		1							•Oil Cooler		See ref 223/100
13		1							•Fuel pump		See ref 233/100
14		1							•Fuel Filter		See ref 233/150
15		1							•Rail		See ref 237/100
16		1							•Exhaust Pipe		See ref 251/100
17		1							•Turbo Charger		See ref 255/100
18		1							•Coolant Pump		See ref 262/100
19		1							•Flange		See ref 263/300
20		1							•Starter		See ref 331/100
21		1							•Heater		See ref 333/150
22		1							•Cable harness		See ref 371/150

Date: 2014/2/24	Image id: 1027634	Catalogue: 20087	Model: L110E
Brand: Volvo	Serial: 2202-, 61001-61289, 70401-70433	Group/Section: 211/100	Title: Cylinder head



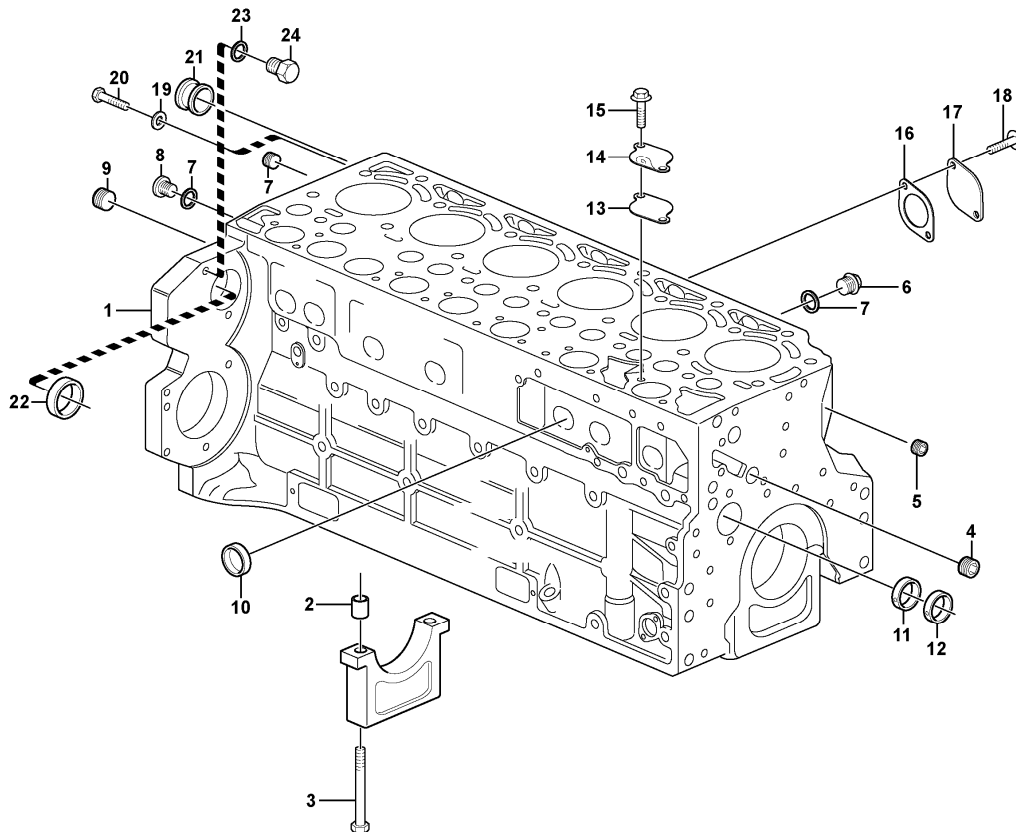
Volvo Construction
Equipment
1027634

Section option	Kit	Option description
VOE11410961		Engine VOLVO D7ELBE3

Pos	Part	Q1	Q2	Q3	Q4	Q5	PS	Kit	Description	Option(s)	Remark
1	VOE20799762	1							Cylinder head		
2	VOE20799722	5							•Plug		
3	VOE20412733	5							•Core plug		
4	VOE20914266	2							•Core Plug		
5	VOE20405897	12							•Valve guide		
6	VOE11700348	12							•O-ring		
7	VOE11700347	12							•Valve spring		
8	VOE20847155	12							•Retainer		
9	VOE11700345	24							•Valve sleeve		
10	VOE20840807	12							•Thrust Washer		

11	VOE20840772	12							•Snap Ring		
12	VOE20459962	6							•Valve seat		
13	VOE20758481	6							•Inlet valve		
14	VOE20845144	6							•Valve seat		
15	VOE21739130	6							•Exhaust Valve		(VOE20755883)
16	VOE11700334	26							Screw		
17	VOE20943385	1							Cyl Head Gasket		THICK=1,4MM, 1 HOLE
	VOE20949868	1							Cyl Head Gasket		THICK=1,5MM, 2 HOLE
	VOE20943389	1							Cyl Head Gasket		THICK=1,6MM, 3 HOLE
18	VOE20405521	2							Guide pin		
19	VOE993358	1							Gasket		
20	VOE20483764	1							Nipple		
21	VOE20405895	6							Plug		
22	VOE21036771	1							Valve Cover		
23	VOE20412600	1							•Cap		
24	VOE20792871	1							•Gasket		
25	VOE20840801	1							•Gasket		
26	VOE20933359	1							•Oil Separator		
27	VOE20797542	6							•Screw		
28	VOE20847667	1							•Sealing		
29	VOE21145471	13							Flange screw		
30	VOE20412589	1							Filler cap		
31	VOE20996748	1							Sealing Strip		

Date: 2014/2/24	Image id: 1056314	Catalogue: 20087	Model: L110E
Brand: Volvo	Serial: 2202-, 61001-61289, 70401-70433	Group/Section: 212/100	Title: Cylinder block



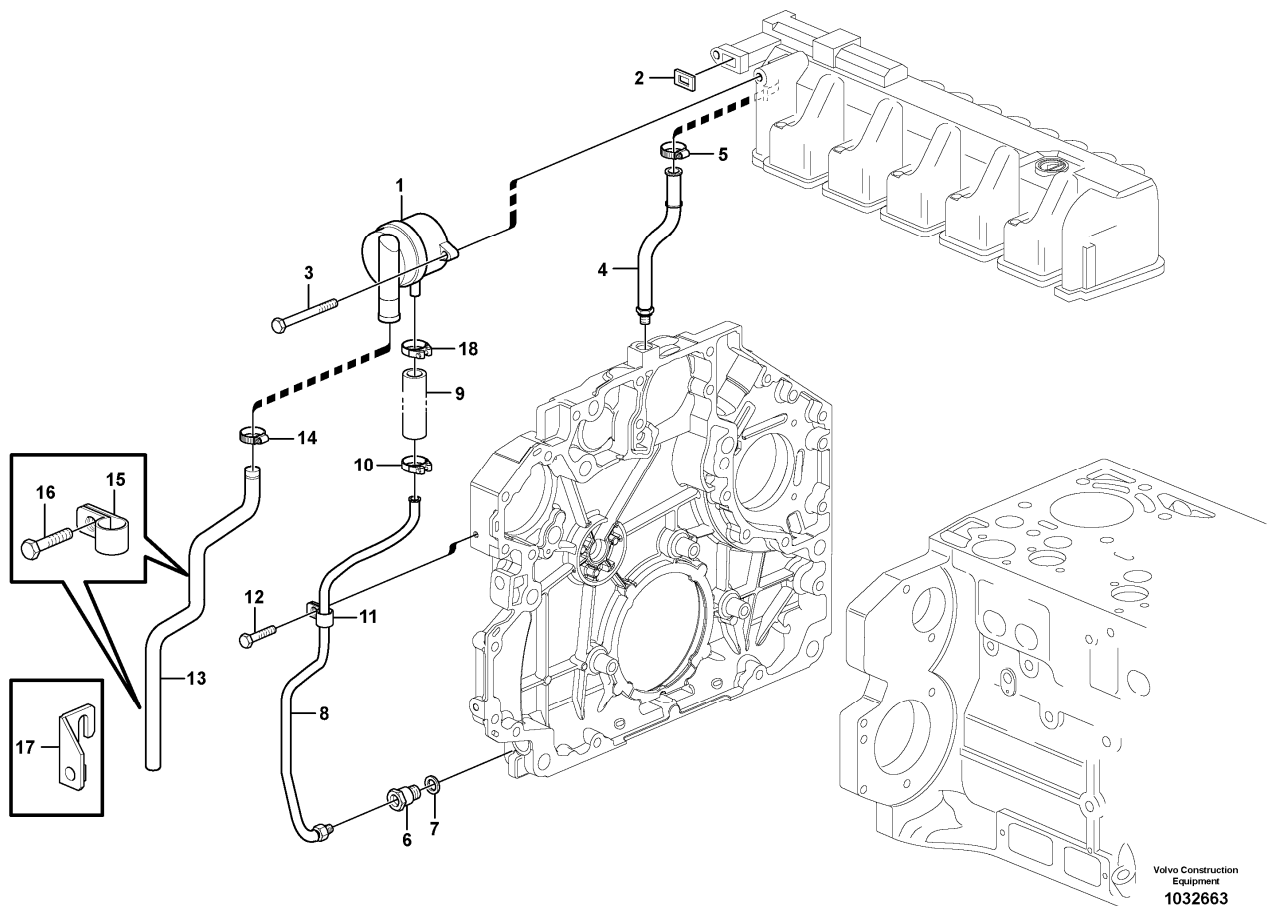
Volvo Construction
Equipment
1056314

Section option	Kit	Option description
VOE11410961		Engine VOLVO D7ELBE3

Pos	Part	Q1	Q2	Q3	Q4	Q5	PS	Kit	Description	Option(s)	Remark
1	VOE20851922	1							Crankcase		
2	VOE11700278	14							•Bushing		
3	VOE20405583	14							•Bolt		
4	VOE20405719	1							•Plug		
5	VOE20508600	2							•Plug		
6	VOE20405716	2							•Plug		
7	VOE13969011	3							•Gasket		
8	VOE945065	1							•Plug		
9	VOE20785813	1							•Plug		(VOE20508605)
10	VOE20405721	10							•Core plug		

11	VOE11700285	1							•Bearing bushing		
12	VOE11700284	6							•Bearing bushing		
13	VOE20933203	1							Gasket		
14	VOE20840812	1							Cover		
15	VOE20405792	2							Screw		
16	VOE20412341	1							Gasket		
17	VOE21180405	1							Flange		
18	VOE20405885	2							Screw		
19	VOE20460087	1							Washer		
20	VOE20460101	1							Screw		
21	VOE20794126	1							Bushing		
22	VOE20450778	1							Core plug		
23	VOE13947281	2							Gasket		
24	VOE20441859	2							Plug		

Date: 2014/2/24	Image id: 1032663	Catalogue: 20087	Model: L110E
Brand: Volvo	Serial: 2202-, 61001-61289, 70401-70433	Group/Section: 212/150	Title: Crankcase ventilation



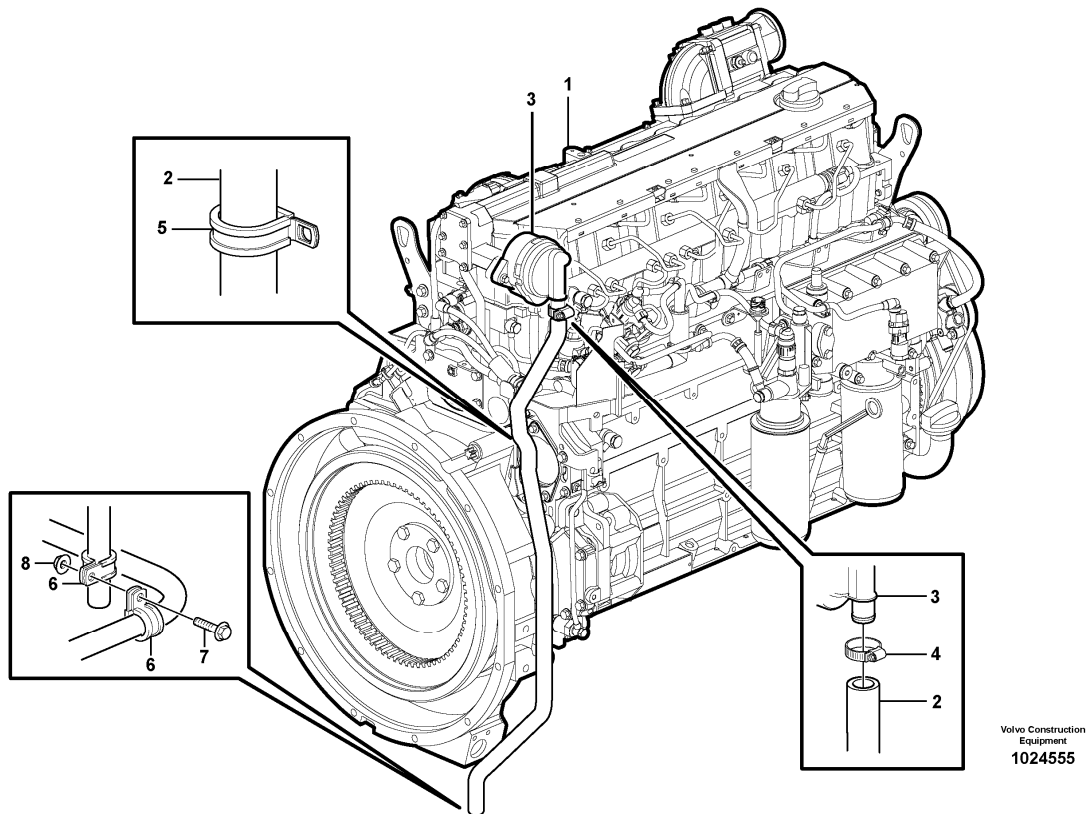
Volvo Construction
Equipment
1032663

Section option	Kit	Option description
VOE11410961		Engine VOLVO D7ELBE3

Pos	Part	Q1	Q2	Q3	Q4	Q5	PS	Kit	Description	Option(s)	Remark
1	VOE20930510	1							Pressure regulator		
2	VOE21038626	1							•Gasket		
3	VOE20405504	2							Screw		
4	VOE20820967	1							Oil Line		
5	VOE20799673	1							Hose Clamp		
6	VOE20841133	1							Dtt Regulator		
7	VOE20460026	1							Sealing ring		
8	VOE20904725	1							Oil Line		
9	VOE20821091	1					NS		•Rubber hose		
10	VOE20405568	1							•Clip		

11	VOE20798831	1							•Clamp		
12	VOE20405729	1							Screw		
13	VOE20799590	1							Tube		
14	VOE20405755	1							Clamping band		
15	VOE20798837	2							Clamp		
16	VOE20405885	2							Screw		
17	VOE20798898	1					NS		Retaining Plate		
18	VOE20971607	1							Clamp		

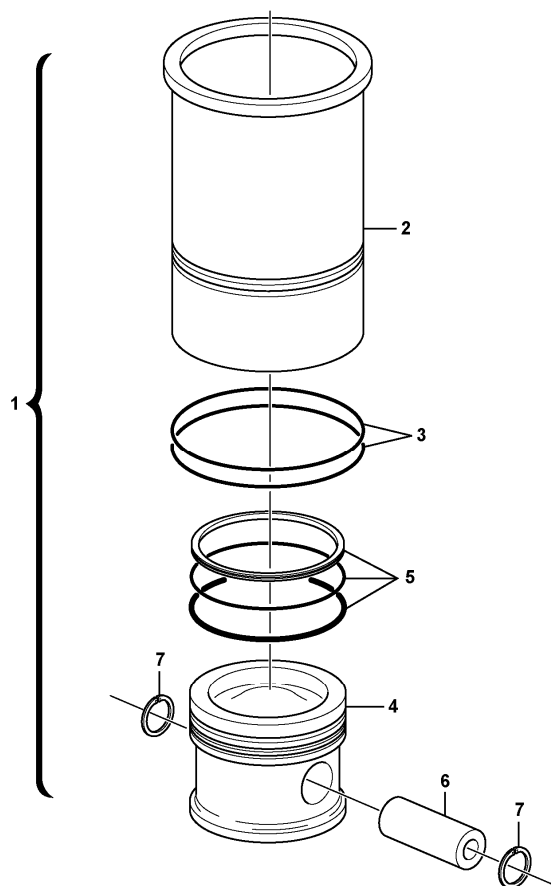
Date: 2014/2/24	Image id: 1024555	Catalogue: 20087	Model: L110E
Brand: Volvo	Serial: 2202-, 61001-61289, 70401-70433	Group/Section: 212/200	Title: Crankcase ventilation



Section option	Kit	Option description
VOE33379		Wheel Loader L110E S/N 2201-, S/N 61001- USA, S/N 70401- BRA

Pos	Part	Q1	Q2	Q3	Q4	Q5	PS	Kit	Description	Option(s)	Remark
1		1							Motor		See ref 210/150
2	VOE11445236	1							Hose		
3		1							Pressure Regulator		See ref 212/150
4	VOE13943474	1							Hose clamp		
5	VOE13949997	1							Clamp		
6	VOE13949997	2							Clamp		
7	VOE13946173	1							Screw		
8	VOE13945408	1							Nut		

Date: 2014/2/24	Image id: 1026946	Catalogue: 20087	Model: L110E
Brand: Volvo	Serial: 2202-, 61001-61289, 70401-70433	Group/Section: 213/100	Title: Cylinder liner and piston

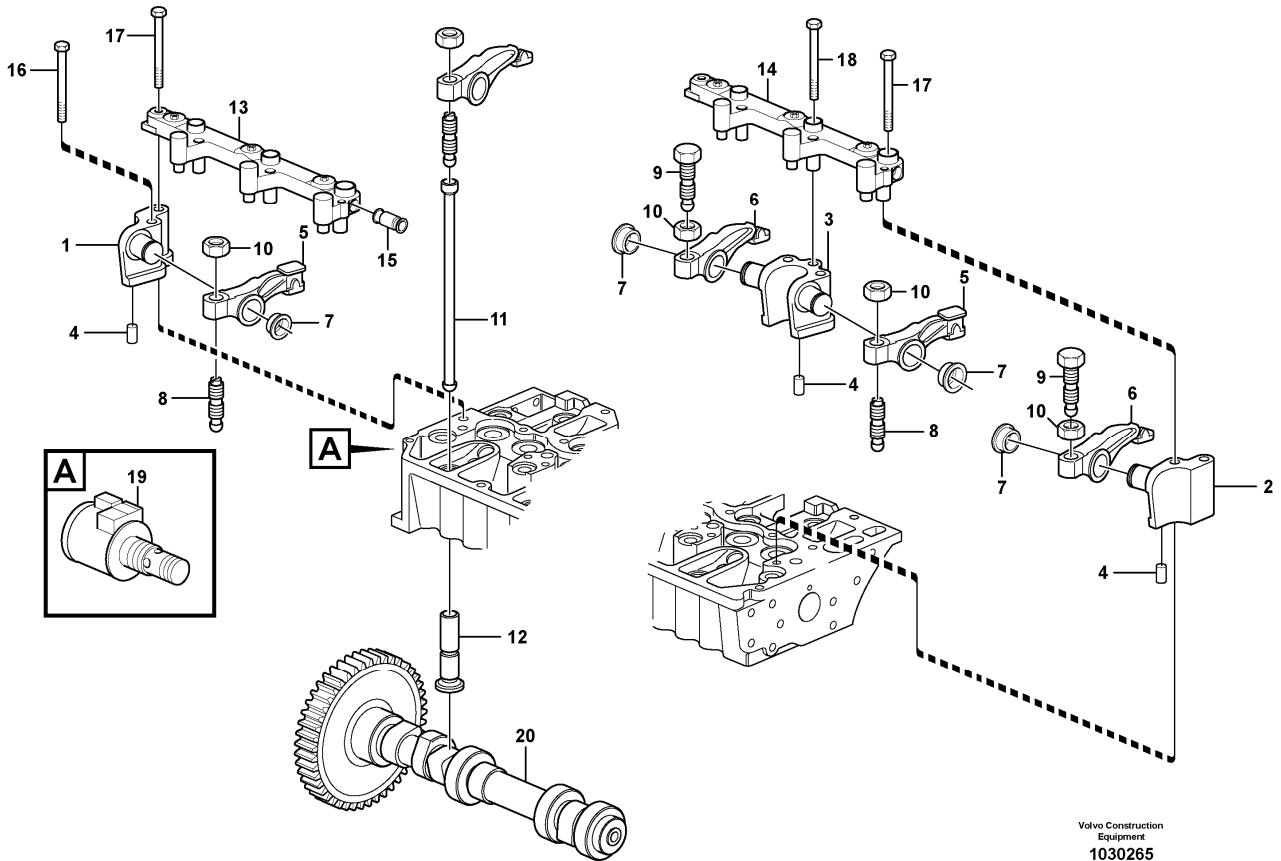


Volvo Construction
Equipment
1026946

Section option	Kit	Option description
VOE11410961		Engine VOLVO D7ELBE3

Pos	Part	Q1	Q2	Q3	Q4	Q5	PS	Kit	Description	Option(s)	Remark
1	VOE20865990	6							Cyl Liner Kit		
2		6					NS		•Cylinder Liner		
3	VOE20412762	12							•O-ring		
4		6					NS		•Piston		
5	VOE21299547	6							•Piston ring kit		(VOE20450775)
6	VOE20405577	6							•Gudgeon pin		
7	VOE20405576	12							•Retaining ring		

Date: 2014/2/24	Image id: 1030265	Catalogue: 20087	Model: L110E
Brand: Volvo	Serial: 2202-, 61001-61289, 70401-70433	Group/Section: 214/100	Title: Valve mechanism

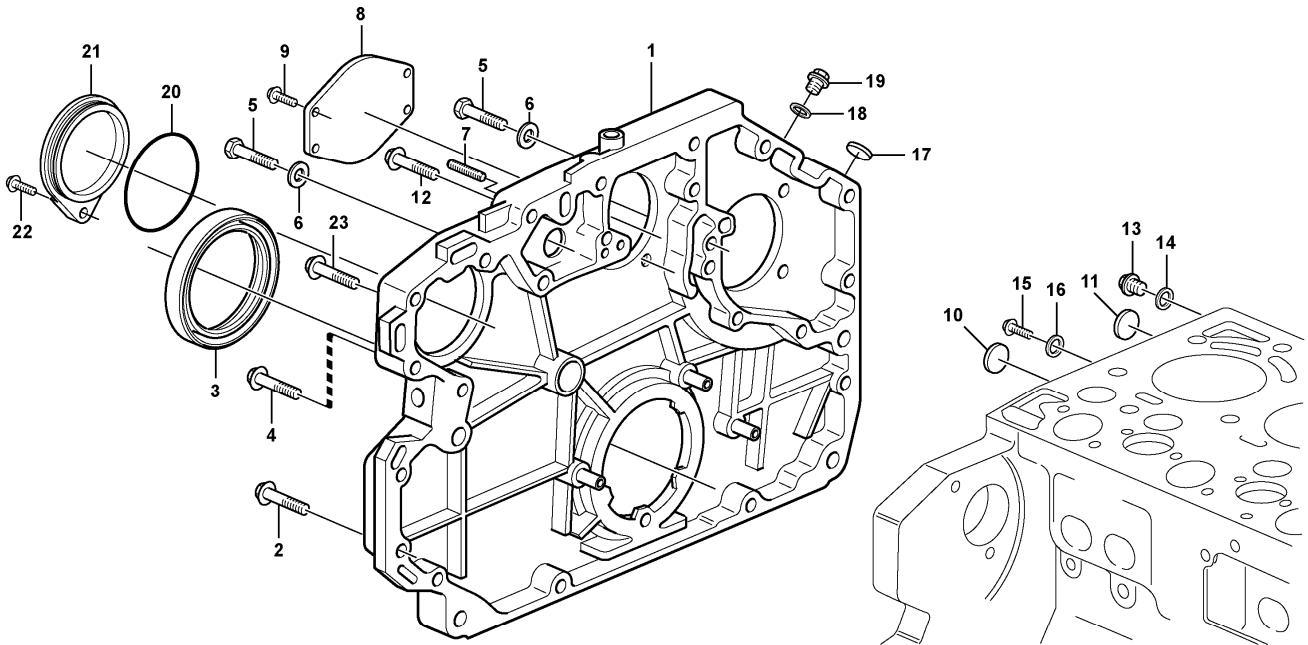


Section option	Kit	Option description
VOE11410961		Engine VOLVO D7ELBE3

Pos	Part	Q1	Q2	Q3	Q4	Q5	PS	Kit	Description	Option(s)	Remark
1	VOE20794124	1							Bracket		(VOE21066484)
2	VOE20826696	1							Bracket		(VOE21066474)
3	VOE20793045	5							Bracket		(VOE21066482)
4	VOE20790837	7							Pin		
5	VOE20792878	6							Rocker Arm		
6	VOE21448926	6							Rocker arm		(VOE20792876)
7	VOE20794115	12							Retaining ring		
8	VOE20913851	6							Adjusting Screw		
9	VOE20816389	6							Adjusting Screw		
10	VOE11700373	12							Nut		

11	VOE20405534	12							Push rod		
12	VOE20792475	12							Tappet		
13	VOE20802124	1							Actuator		
14	VOE20802121	1							Actuator		
15	VOE20798864	1							Pipe		
		2					NS		•Rubber Seal		
16	VOE20405723	7							Screw		
17	VOE20799653	7							Bolt		
18	VOE20450802	3							Screw		
19	VOE20795296	1							Solenoid valve		
20	VOE20795775	1							Camshaft		ENG - 10301020
20	VOE21012455	1							Camshaft		ENG 10301021 -

Date: 2014/2/24	Image id: 1019841	Catalogue: 20087	Model: L110E
Brand: Volvo	Serial: 2202-, 61001-61289, 70401-70433	Group/Section: 215/100	Title: Timing gear casing



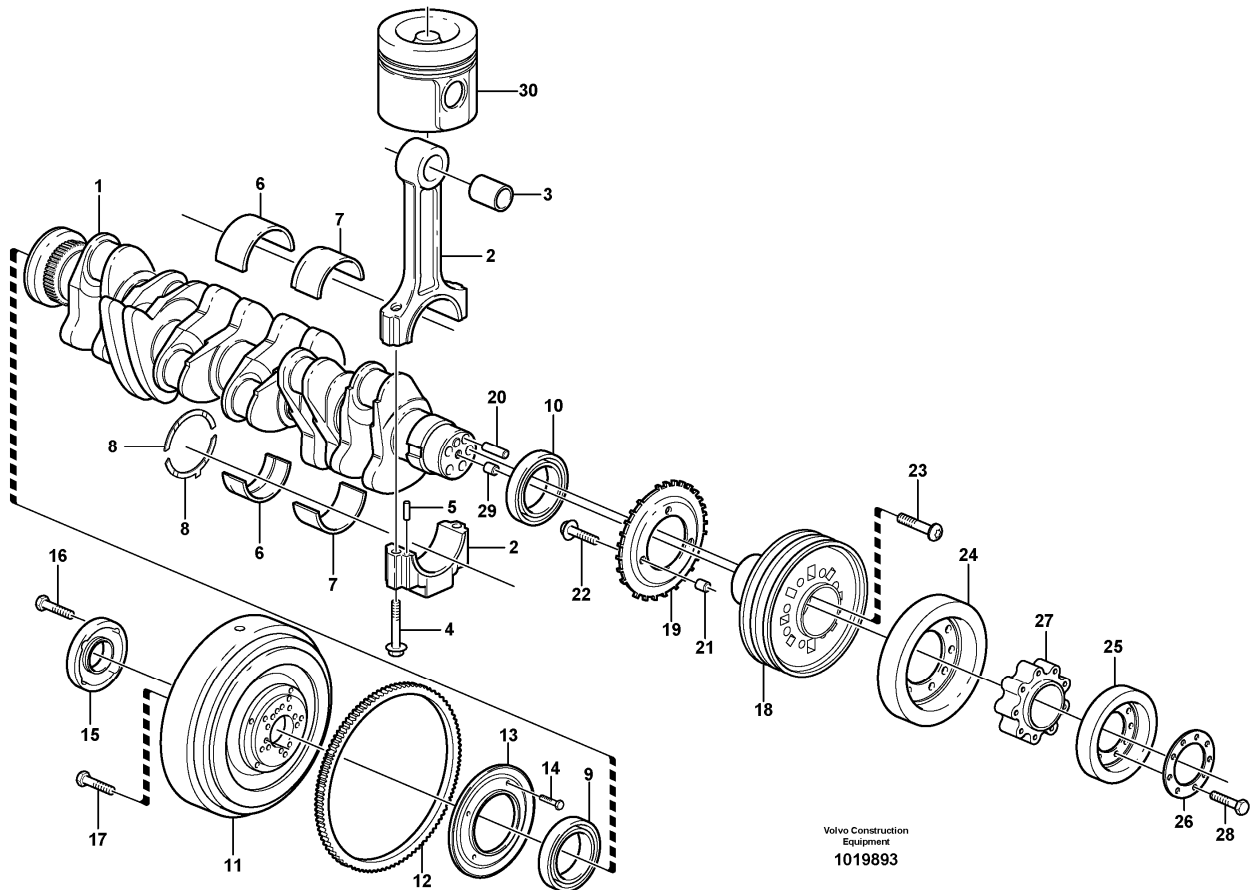
Volvo Construction
Equipment
1019841

Section option	Kit	Option description
VOE11410961		Engine VOLVO D7ELBE3

Pos	Part	Q1	Q2	Q3	Q4	Q5	PS	Kit	Description	Option(s)	Remark
1	VOE20972356	1							Timing gear casing		
2	VOE20412324	12							Screw		
3	VOE20412286	1							Sealing ring		
4	VOE20405709	4							Screw		
5	VOE20534597	2							Screw		
6	VOE13955900	2							Washer		
7	VOE20450795	1							Set screw		
8	VOE20450799	1							Cover		
9	VOE20405709	4							Screw		
10	VOE20412745	1							Core plug		

11	VOE20490808	1							Cover		
12	VOE20450801	1							Screw		
13	VOE945065	1							Plug		(VOE20792132)
14	VOE13947621	1							Plane gasket		
15	VOE20405898	1							Screw		
16	VOE20460087	1							Washer		
17	VOE20405605	1							Cover		
18	VOE13947621	1							Plane gasket		
19	VOE20451012	1							Screw		
20	VOE20405652	1							Sealing ring		
21	VOE20950063	1							Cover		
22	VOE20450802	1							Screw		
23	VOE20405709	1							Screw		

Date: 2014/2/24	Image id: 1019893	Catalogue: 20087	Model: L110E
Brand: Volvo	Serial: 2202-, 61001-61289, 70401-70433	Group/Section: 216/100	Title: Crankshaft and related parts

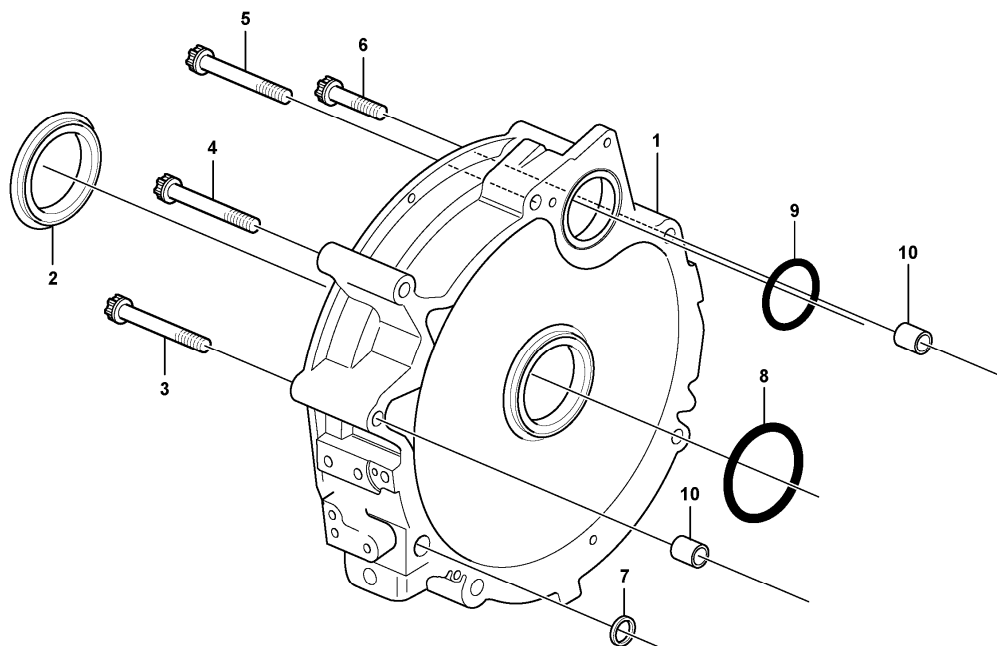


Section option	Kit	Option description
VOE11410961		Engine VOLVO D7ELBE3

Pos	Part	Q1	Q2	Q3	Q4	Q5	PS	Kit	Description	Option(s)	Remark
1	VOE21245957	1							Crankshaft		(VOE20875042)
2	VOE20585982	6							Connecting Rod		(VOE11700324)
3	VOE11700325	6							•Bushing		
4	VOE11700326	12							•Bolt		
5	VOE20459134	12							•Pin		
6	VOE21141948	7							Main bearing		(VOE11700311)STD = 85,00 MM
	VOE21234191	REQ							Main bearing		(VOE20405529)U SZ = 84,75 MM
	VOE20405541	REQ							Main bearing		U SZ = 84,50 MM
7	VOE20766790	6							Big-end Bearing		STD = 68,00 MM

	VOE20790423	REQ							Big-end Bearing		U SZ = 67,75 MM
	VOE20790428	REQ							Big-end Bearing		U SZ = 67,50 MM
8	VOE20405899	1							Thrust Washer		STD = 2,9 MM
	VOE21141963	REQ							Raceway washer		(VOE11700315)O SZ = 3,1 MM
9		1							Sealing ring		See ref 215/100
10		1							Sealing ring		See ref 221/100
11	VOE20917910	1							Flywheel		
12	VOE20450830	1							•Gear		
13	VOE20918003	1							•Ring		
14	VOE20933839	4							•Screw		
15	VOE20460793	1							Flange		
16	VOE21000755	5							Screw		
17	VOE20450835	10							Screw		
18	VOE20483448	1							Pulley		
19	VOE20792423	1							Lock Washer		
20	VOE20450838	1							Pin		
21	VOE20450628	1							Pin		
22	VOE888289	3							Hexagon screw		
23	VOE20405724	4							Screw		
24	VOE20585446	1							Vibration damper		
25	VOE20460794	1							Vibration damper		
26	VOE20460800	1							Washer		
27	VOE20460799	1							Spacer		
28	VOE20460205	9							Screw		
29	VOE20405634	1							Spring pin		
30		1							Piston		See ref 213/100

Date: 2014/2/24	Image id: 1033647	Catalogue: 20087	Model: L110E
Brand: Volvo	Serial: 2202-, 61001-61289, 70401-70433	Group/Section: 216/150	Title: Flywheel housing

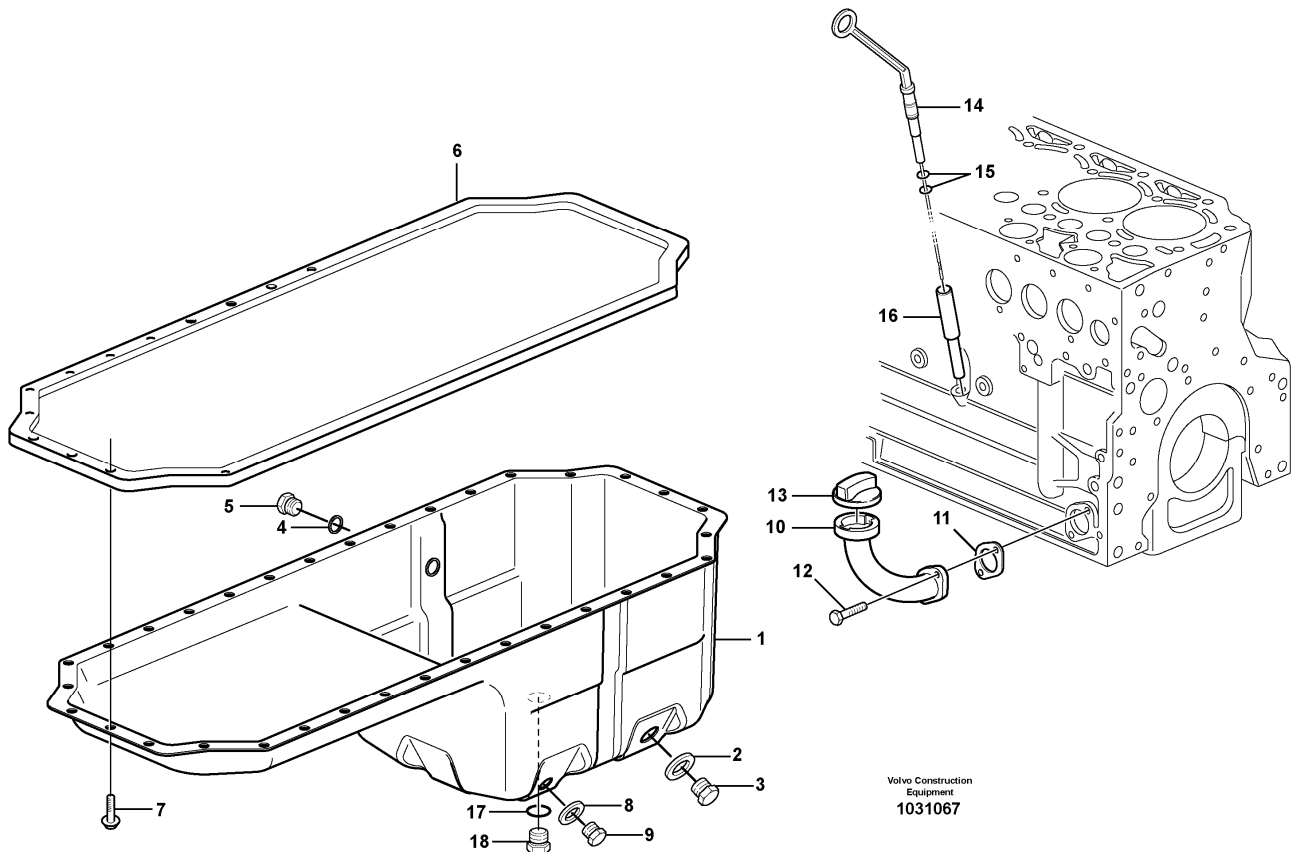


Volvo Construction
Equipment
1033647

Section option	Kit	Option description
VOE11410961		Engine VOLVO D7ELBE3

Pos	Part	Q1	Q2	Q3	Q4	Q5	PS	Kit	Description	Option(s)	Remark
1	VOE20459988	1							Flywheel housing		
2	VOE20450784	1							•Labyrinth ring		(VOE11700592)
3	VOE20460792	1							Screw		
4	VOE20405715	1							Screw		
5	VOE20405710	3							Screw		
6	VOE20460792	1							Screw		
7	VOE20459993	4							O-ring		
8	VOE20450786	1							Sealing ring		
9	VOE20459994	1							Sealing ring		
10	VOE20585971	2							Bushing		

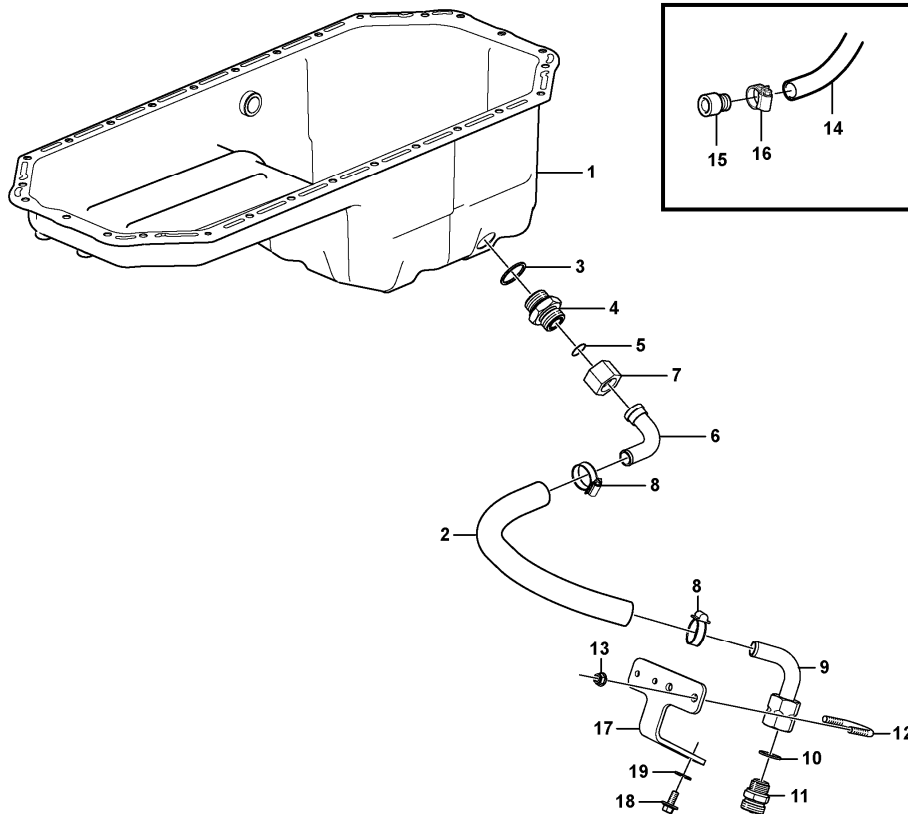
Date: 2014/2/24	Image id: 1031067	Catalogue: 20087	Model: L110E
Brand: Volvo	Serial: 2202-, 61001-61289, 70401-70433	Group/Section: 217/100	Title: Oil sump



Section option	Kit	Option description
VOE11410961		Engine VOLVO D7ELBE3

Pos	Part	Q1	Q2	Q3	Q4	Q5	PS	Kit	Description	Option(s)	Remark
1	VOE20814391	1							Oil Pan		(VOE21099578)
2	VOE20496256	1							•Gasket		
3	VOE20496257	1							•Plug		
4	VOE20460026	1							•Sealing ring		
5	VOE20460024	1							•Plug		
6	VOE20405915	1							Gasket		
7	VOE20405792	34							Screw		
8	VOE13947624	1							Plane gasket		
9	VOE20405506	1							Plug		
10	VOE20412347	1							Filler neck		

Date: 2014/2/24	Image id: 1022019	Catalogue: 20087	Model: L110E
Brand: Volvo	Serial: 2202-, 61001-61289, 70401-70433	Group/Section: 217/150	Title: Drain line, oil sump



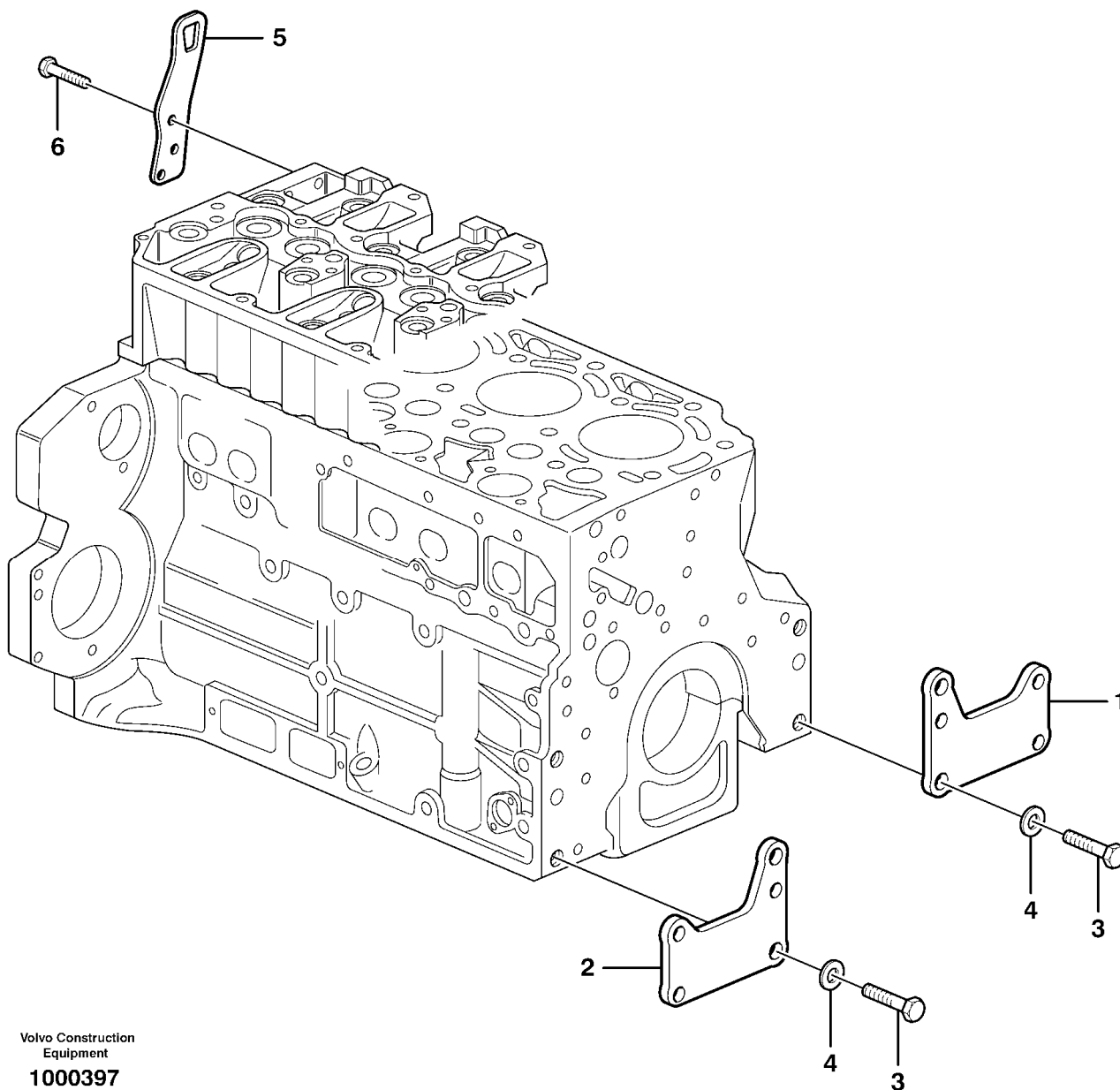
Volvo Construction
Equipment
1022019

Section option	Kit	Option description
VOE33379		Wheel Loader L110E S/N 2201-, S/N 61001- USA, S/N 70401- BRA

Pos	Part	Q1	Q2	Q3	Q4	Q5	PS	Kit	Description	Option(s)	Remark
1		1							Oil Pan		See ref 217/100
2	VOE11000285	REQ							Rubber hose		L = 430 MM
3	VOE13947630	1							Gasket		
4	VOE11163064	1							Nipple		
5	VOE990740	1							O-ring		
6	VOE11410190	1							Drain tube		
7	VOE13933877	1							Fitting nut		
8	VOE943473	2							Hose clamp		
9	VOE11410017	1							Drain Tube		
10	VOE949329	1							Gasket		

11	VOE11054692	1							Valve		
12	VOE11130269	1							Clamp		
13	VOE948645	2							Flange lock nut		
14	VOE11154125	1							Hose		L = 1400 MM
15	VOE11054659	1							Connector		
16	VOE943473	1							Hose clamp		
17	VOE11445058	1					OP		Anchorage		
18	VOE13946173	2							Screw		
19	VOE11117464	2							Washer		(VOE13960141)

Date: 2014/2/24	Image id: 1000397	Catalogue: 20087	Model: L110E
Brand: Volvo	Serial: 2202-, 61001-61289, 70401-70433	Group/Section: 218/100	Title: Engine mounting



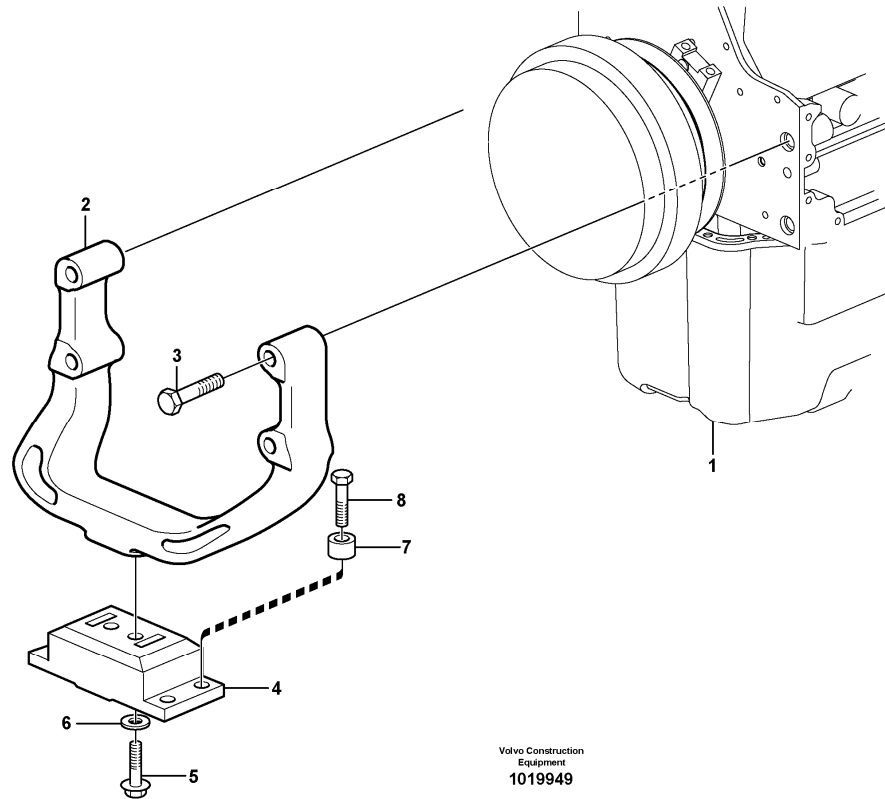
Section option	Kit	Option description
VOE11410961		Engine VOLVO D7ELBE3

Pos	Part	Q1	Q2	Q3	Q4	Q5	PS	Kit	Description	Option(s)	Remark
1	VOE20723978	1							Bracket		See footnote 2280)
2	VOE20723984	1							Bracket		See footnote 2280)

3	VOE20535027	4							Screw		
4	VOE20405606	4							Washer		
5	VOE20450854	2					OP		Lifting eye		
6	VOE20450756	6							Screw		

2280) To be used as transport bracket

Date: 2014/2/24	Image id: 1019949	Catalogue: 20087	Model: L110E
Brand: Volvo	Serial: 2202-, 61001-61289, 70401-70433	Group/Section: 218/150	Title: Engine mounting

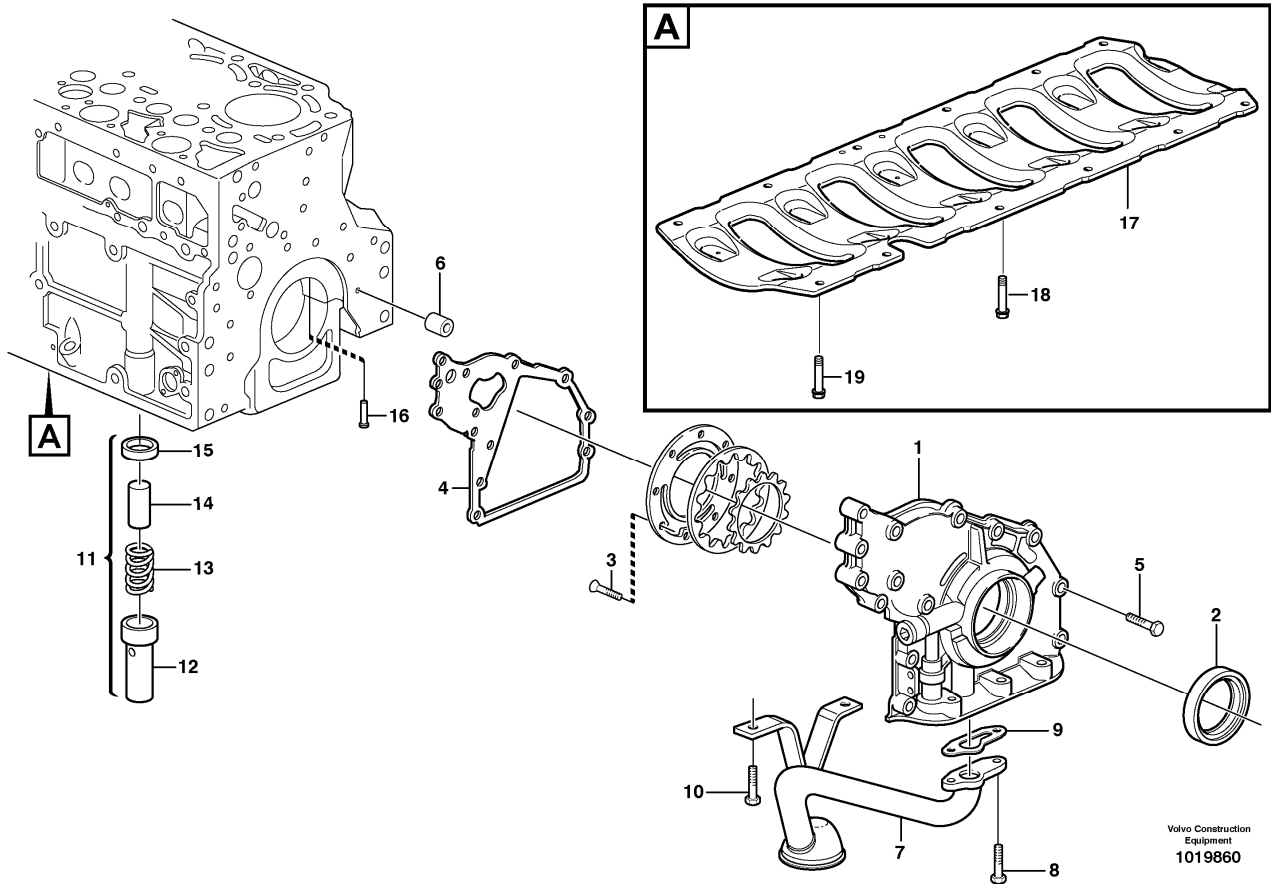


Section option	Kit	Option description
VOE33379		Wheel Loader L110E S/N 2201-, S/N 61001- USA, S/N 70401- BRA

Q1-Q5	Option	Option description	
Q1 33379	VOE33379	Wheel Loader L110E S/N 2201-, S/N 61001- USA, S/N 70401- BRA	

Pos	Part	Q1	Q2	Q3	Q4	Q5	PS	Kit	Description	Option(s)	Remark
1		1							Engine		See ref 210/150
2	VOE11172117	1							Engine anchorage		
3	VOE963320	4							Hexagon screw		
4	VOE20503551	1							Rubber cushion		
5	VOE13966362	2							Flange screw		
6	VOE930844	2							Washer		
7	VOE11025923	4							Spacer		

Date: 2014/2/24	Image id: 1019860	Catalogue: 20087	Model: L110E
Brand: Volvo	Serial: 2202-, 61001-61289, 70401-70433	Group/Section: 221/100	Title: Lubricating oil system



Volvo Construction
Equipment
1019860

Section option	Kit	Option description
VOE11410961		Engine VOLVO D7ELBE3

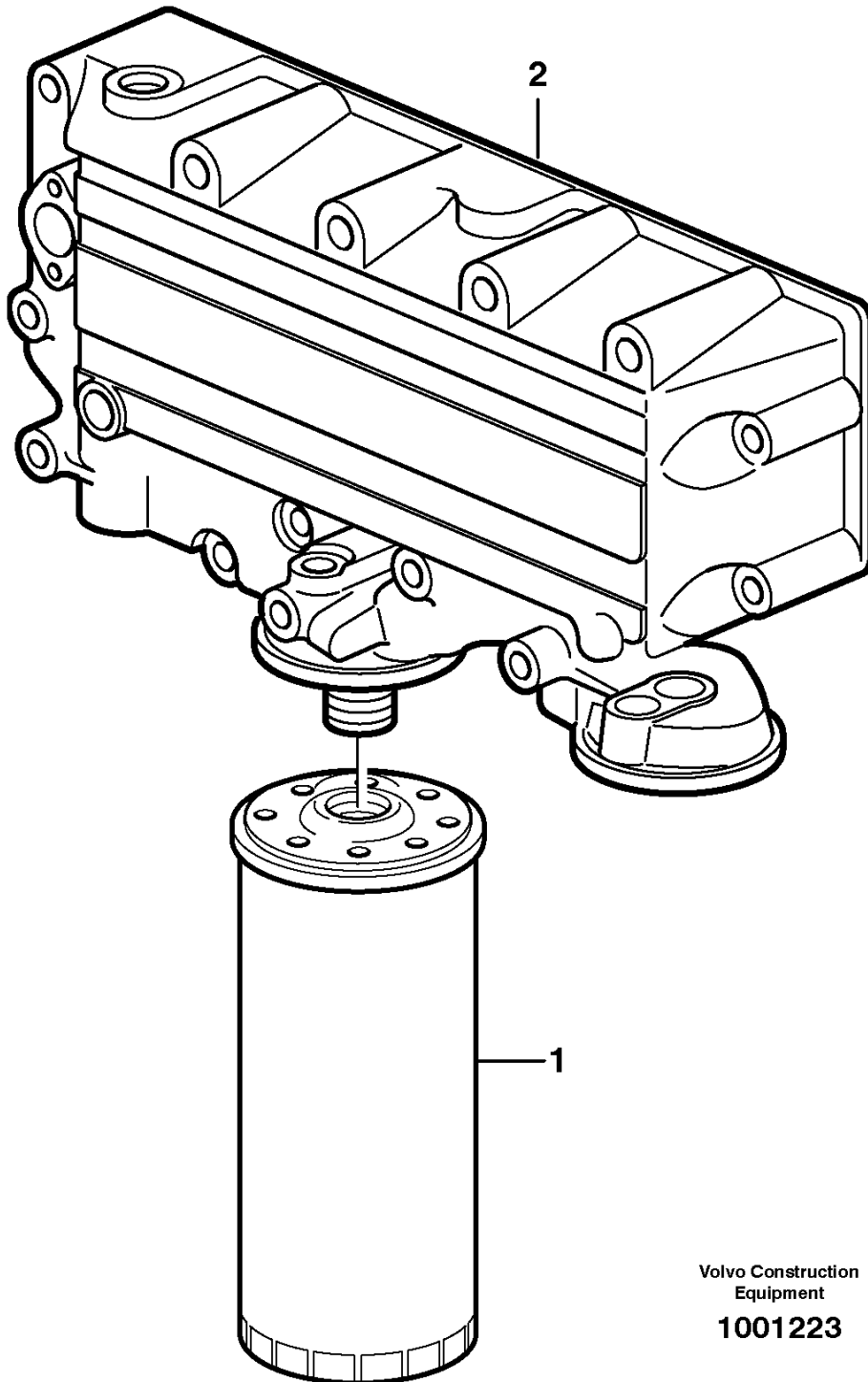
Pos	Part	Q1	Q2	Q3	Q4	Q5	PS	Kit	Description	Option(s)	Remark
1	VOE20875082	1							Service cover		
2	VOE20412568	1							•Sealing ring		
3	VOE20451738	1							•Screw		
4	VOE20742661	1							Gasket		
5	VOE20412324	14							Screw		
6	VOE20405603	1							Spring pin		
7	VOE20570070	1							Suction pipe		
8	VOE13949578	2							Screw		
9	VOE20405888	1							Gasket		
10	VOE13949578	2							Screw		

11	VOE11700271	1							Delivery valve		
12	VOE20405937	1							•Sleeve		
13	VOE20405896	1							•Compression spring		
14	VOE20405936	1					OP		•Valve		
15	VOE20405904	1							•Ring		
16	VOE20405561	6							Piston		
17	VOE20567652	1							Plate		
18	VOE20405885	8							Screw		
19	VOE20570025	4							Screw		

VOLVO

Construction Equipment

Date: 2014/2/24	Image id: 1001223	Catalogue: 20087	Model: L110E
Brand: Volvo	Serial: 2202-, 61001-61289, 70401-70433	Group/Section: 222/100	Title: Oil filter



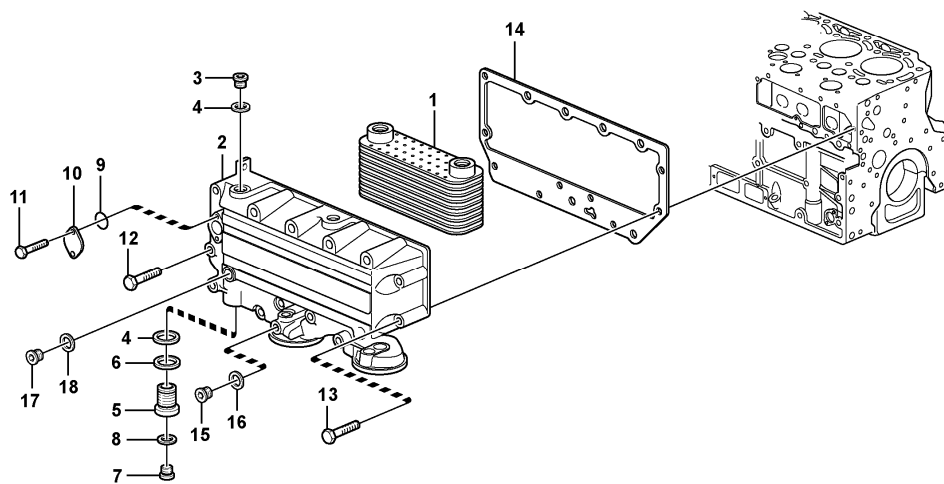
Volvo Construction
Equipment
1001223

Section option	Kit	Option description
----------------	-----	--------------------

VOE11410961		Engine VOLVO D7ELBE3
-------------	--	----------------------

Pos	Part	Q1	Q2	Q3	Q4	Q5	PS	Kit	Description	Option(s)	Remark
1	VOE3831236	1							Oil filter		
2		1							Housing		See ref 223/100

Date: 2014/2/24	Image id: 1019517	Catalogue: 20087	Model: L110E
Brand: Volvo	Serial: 2202-, 61001-61289, 70401-70433	Group/Section: 223/100	Title: Oil cooler



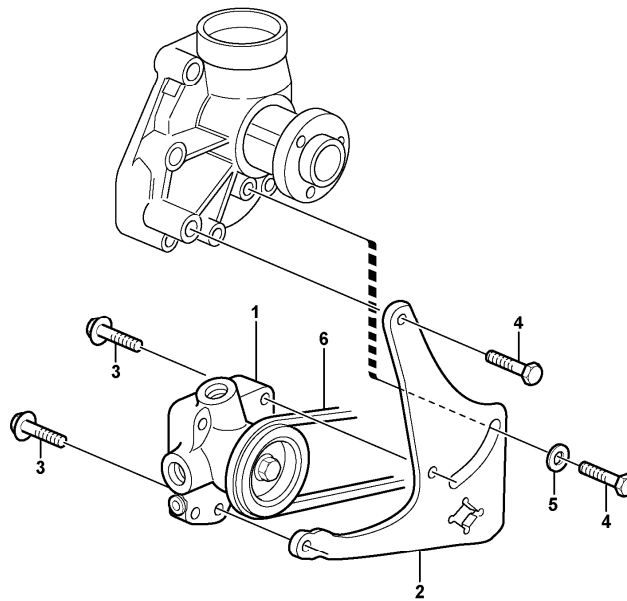
Volvo Construction
Equipment
1019517

Section option	Kit	Option description
VOE11410961		Engine VOLVO D7ELBE3

Pos	Part	Q1	Q2	Q3	Q4	Q5	PS	Kit	Description	Option(s)	Remark
1	VOE20715681	1							Oil Cooler		
2	VOE20819716	1							Box		
3	VOE20459195	1							Plug		
4	VOE13947628	3							Plane gasket		
5	VOE20405752	2							Screw		
6	VOE20405569	2							•Sealing		
7	VOE20549897	2							Plug		
8	VOE20405578	2							Sealing ring		
9	VOE20405599	1							Sealing ring		
10	VOE21072778	1							Flange		

11	VOE20405885	2							Screw		
12	VOE20405917	10							Screw		
13	VOE20405672	3							Screw		
14	VOE20405747	1							Gasket		
15	VOE20450895	1							Plug		E PROD
15	VOE21011809	1							Plug		L PROD
16	VOE13947281	1							Gasket		E PROD
17	VOE20450890	1							Sealing ring		
18	VOE20450890	1							Sealing ring		

Date: 2014/2/24	Image id: 1019562	Catalogue: 20087	Model: L110E
Brand: Volvo	Serial: 2202-, 61001-61289, 70401-70433	Group/Section: 233/100	Title: Fuel pump

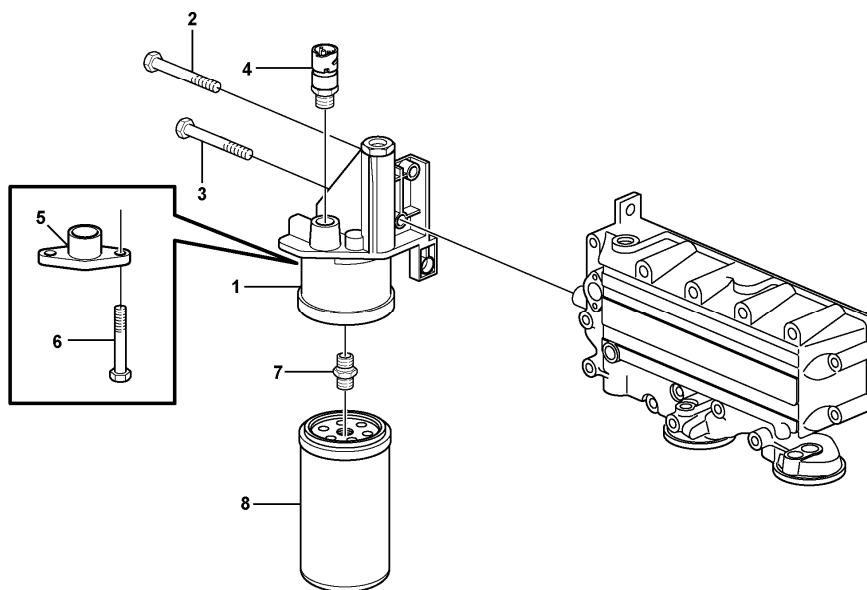


Volvo Construction
Equipment
1019562

Section option	Kit	Option description
VOE11410961		Engine VOLVO D7ELBE3

Pos	Part	Q1	Q2	Q3	Q4	Q5	PS	Kit	Description	Option(s)	Remark
1	VOE21021484	1							Fuel pump		(VOE20795665)ENG - 10438708
1	VOE20980697	1							Fuel pump		ENG 10438709 -
2	VOE20405708	1							Bracket		
3	VOE13949578	2							Screw		
4	VOE20441860	2							Screw		
5	VOE20405734	1							Washer		
6		1							V-belt		See ref 263/250

Date: 2014/2/24	Image id: 1019504	Catalogue: 20087	Model: L110E
Brand: Volvo	Serial: 2202-, 61001-61289, 70401-70433	Group/Section: 233/150	Title: Fuel filter



Volvo Construction
Equipment
1019504

Section option	Kit	Option description
VOE11410961		Engine VOLVO D7ELBE3

Pos	Part	Q1	Q2	Q3	Q4	Q5	PS	Kit	Description	Option(s)	Remark
1	VOE20816379	1							Fuel Filter Housing		N.B. Pos 5
2	VOE20450801	2							Screw		
3	VOE11700269	1							Screw		
4		1							Sensor		See ref 371/150
5	VOE20798139	1							Cover		
6	VOE20799087	2							Screw		
7	VOE20818370	1							Screw Bushing		
8	VOE20805349	1							Fuel Filter		



Download the full PDF manual instantly.

Our customer service e-mail:

aservicemanualpdf@yahoo.com