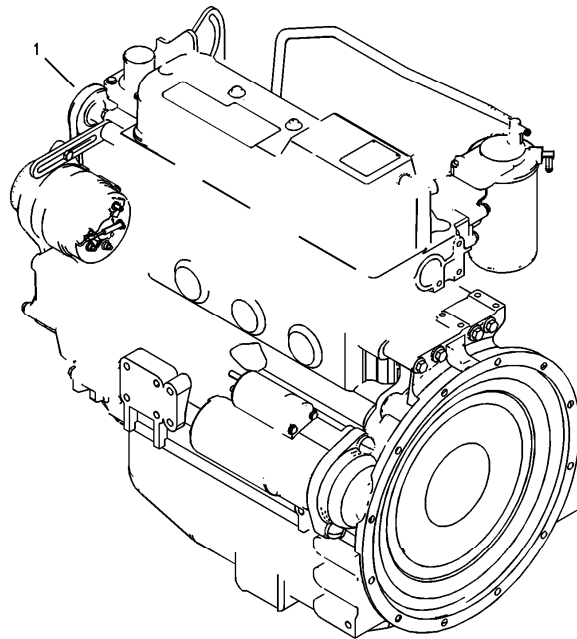


Date: 2013/12/4	Image id: 1006949	Catalogue: 20019	Model: EC55B
Brand: Volvo	Serial: 30001-, 50001-	Group/Section: 210/100	Title: Engine



Volvo Construction
Equipment
1006949

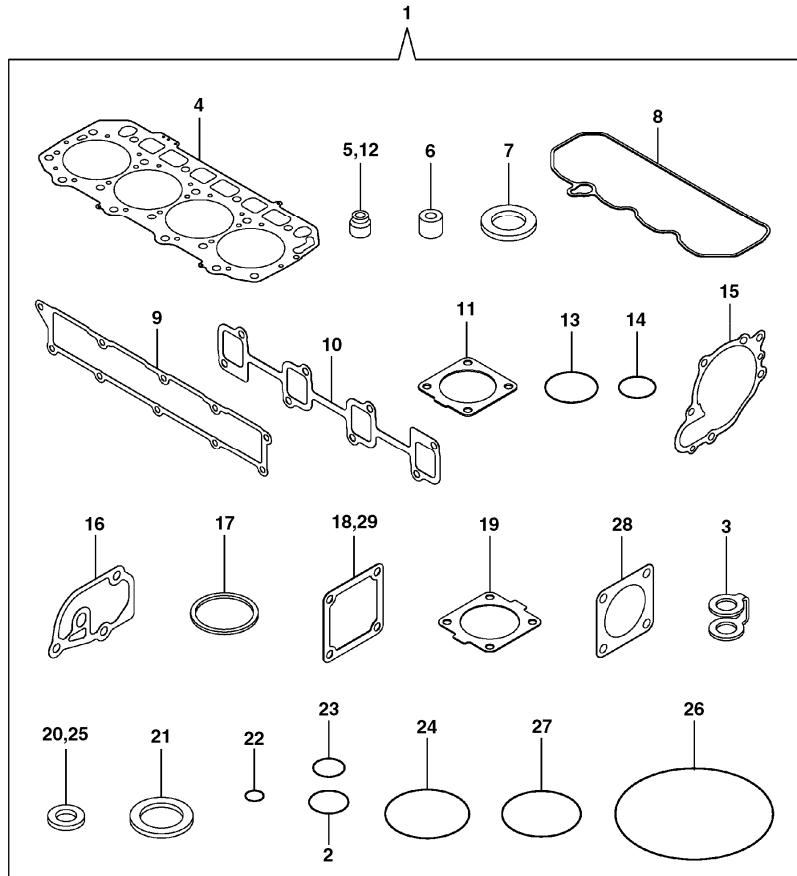
Section option	Kit	Option description
VOE8278797		Engine with Eu label EMISSION CERTIFICATED FROM EU
VOE8278798		Engine without Epa label INT AND KOREAN MARKET
VOE8278799		Engine with Epa label EMISSION CERTIFICATED FROM EPA

Q1-Q5	Option	Option description	
Q1 8278797	VOE8278797	Engine with Eu label EMISSION CERTIFICATED FROM EU	
Q2 8278798	VOE8278798	Engine without Epa label INT AND KOREAN MARKET	
Q3 8278799	VOE8278799	Engine with Epa label EMISSION CERTIFICATED FROM EPA	

Pos	Part	Q1	Q2	Q3	Q4	Q5	PS	Kit	Description	Option(s)	Remark
1	VOE14517926	1					SS		Engine		With EU label SER NO 30001-32002
	VOE14524464	1							Engine		SER NO 32003-33292
	VOE14533407	1					OP		Engine		SER NO 33293-33895

VOE14535610	1					SS	Engine	SER NO 33896-34475 SER NO 50001-50129
VOE14575304	1						Engine	SER NO 34476- SER NO 50130-
VOE14533406		1					Engine	(VOE14520057) Without labels SER NO 30001-33452
VOE14533406		1					Engine	SER NO 33453-33895 SER NO 50001-50093
VOE14535609		1				SS	Engine	SER NO 33896-34475 SER NO 50094-50129
VOE14575305		1				SS	Engine	SER NO 34476-38566 SER NO 50130-53381
VOE14624622		1					Engine	SER NO 38567- SER NO 83381-
VOE14520058			1			SS	Engine	With EPA label SER NO 30001-32189
VOE14524464			1				Engine	SER NO 32190-33292
VOE14533407			1			OP	Engine	SER NO 33293-33895
VOE14535610			1			SS	Engine	SER NO 33896-34475 SER NO 50001-50129
VOE14575304			1				Engine	SER NO 34476- SER NO 50130-

Date: 2013/12/4	Image id: 1006950	Catalogue: 20019	Model: EC55B
Brand: Volvo	Serial: 30001-, 50001-	Group/Section: 210/200	Title: Repair kits for engine



Volvo Construction
Equipment
1006950

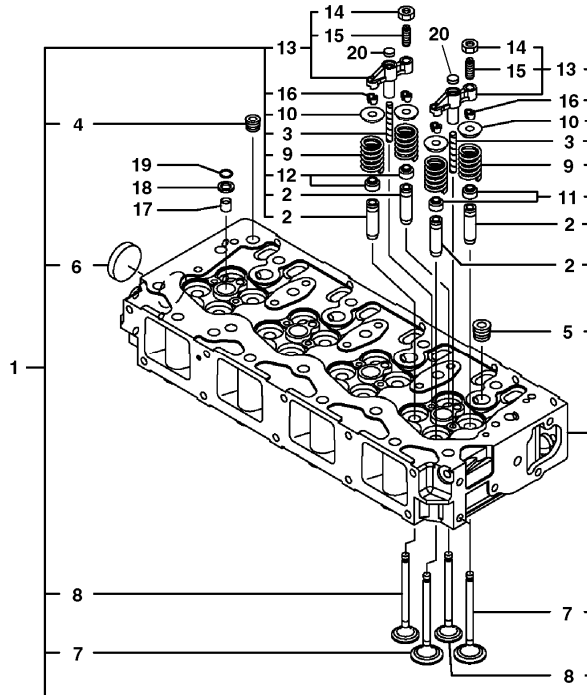
Section option	Kit	Option description
VOE8278797		Engine with Eu label EMISSION CERTIFICATED FROM EU
VOE8278798		Engine without Epa label INT AND KOREAN MARKET
VOE8278799		Engine with Epa label EMISSION CERTIFICATED FROM EPA

Q1-Q5	Option	Option description	
Q1 8278797	VOE8278797	Engine with Eu label EMISSION CERTIFICATED FROM EU	
Q2 8278798	VOE8278798	Engine without Epa label INT AND KOREAN MARKET	
Q3 8278799	VOE8278799	Engine with Epa label EMISSION CERTIFICATED FROM EPA	

Pos	Part	Q1	Q2	Q3	Q4	Q5	PS	Kit	Description	Option(s)	Remark
1	VOE14521640	1	1	1					Gasket		Optional part
2	VOE14521588	1	1	1					•O-ring		
3	VOE14521606	5	5	5					•Gasket		
4	VOE14528161	1	1	1					•Gasket		
5	VOE14521527	8	8	8					•Valve seal		

6	VOE14521532	4	4	4					•Protection		
7	SA8210-08770	4	4	4			SS		•Seat		
8	VOE14521552	1	1	1					•Gasket		
9	VOE14521554	1	1	1					•Gasket		
10	VOE11714737	1	1	1					•Gasket		(SA8210-04570)
11	VOE14520599	1	1	1					•Gasket		
12	VOE14521528	8	8	8					•Valve seal		
13	VOE11714738	2	2	2					•O-ring		(SA8210-04770)
14	VOE11714739	1	1	1					•O-ring		(SA8210-04780)
15	SA8210-04820	1	1	1					•Gasket		
16	SA8210-04840	1	1	1					•Gasket		
17	VOE11714740	1	1	1					•Gasket		(SA8210-02790)
18	VOE11714741	1	1	1					•Gasket		(SA8210-02840)
19	SA8210-02780	1	1	1					•Gasket		
20	VOE11714477	3	3	3					•Gasket		(SA8210-05580)
21	VOE11714478	2	2	2					•Gasket		(SA8210-03370)
22	SA8210-08860	1	1	1					•O-ring		
23	VOE11714386	8	8	8					•O-ring		(SA8210-08870)
24	VOE11714371	3	3	3					•O-ring		(SA8210-08880)
25	VOE11714476	7	7	7					•Sealing washer		(SA8240-01020)
26	VOE14509382	1	1	1					•O-ring		
27	VOE14521512	1	1	1					•Wrapping		
28	VOE14521514	1	1	1					•Gasket		
29	VOE11714827	1	1	1					•Gasket		(SA8210-01870)
30	VOE14521641	1	1	1					Brush		Optional part
31	VOE14543857	1	1	1					Gasket		(SA8240-02760) Optional part

Date: 2013/12/4	Image id: 1006951	Catalogue: 20019	Model: EC55B
Brand: Volvo	Serial: 30001-, 50001-	Group/Section: 211/100	Title: Cylinder head



Volvo Construction
Equipment
1006951

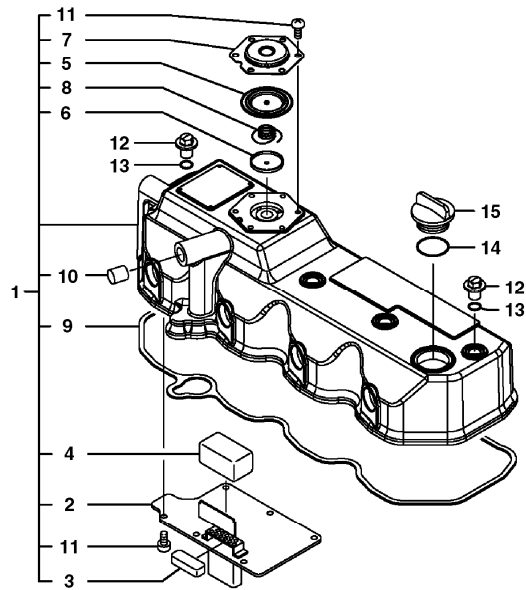
Section option	Kit	Option description
VOE8278797		Engine with Eu label EMISSION CERTIFICATED FROM EU
VOE8278798		Engine without Epa label INT AND KOREAN MARKET
VOE8278799		Engine with Epa label EMISSION CERTIFICATED FROM EPA

Q1-Q5	Option	Option description	
Q1 8278797	VOE8278797	Engine with Eu label EMISSION CERTIFICATED FROM EU	
Q2 8278798	VOE8278798	Engine without Epa label INT AND KOREAN MARKET	
Q3 8278799	VOE8278799	Engine with Epa label EMISSION CERTIFICATED FROM EPA	

Pos	Part	Q1	Q2	Q3	Q4	Q5	PS	Kit	Description	Option(s)	Remark
1	VOE14521519	1	1	1					Cylinder head		
2	VOE14521520	16	16	16			SS		•Guide		
3	VOE14521521	8	8	8					•Guide		
4	VOE14521522	1	1	1					•Plug		
5	VOE14521504	4	4	4					•Plug		

6	VOE11714379	1	1	1					•Plug		(SA8210-05840)
7	VOE14521523	8	8	8					•Inlet valve		
8	VOE14521524	8	8	8					•Exhaust valve		
9	VOE14521525	16	16	16					•Valve spring		
10	VOE14521526	16	16	16					•Retainer		
11	VOE14521527	8	8	8					•Valve seal		
12	VOE14521528	8	8	8					•Valve seal		
13	VOE14521529	8	8	8					•Valve guide		
14	VOE11714380	8	8	8					••Nut		(SA8210-03680)
15	VOE14521530	8	8	8					••Screw		
16	VOE14521531	16	16	16					•Valve cone		
17	VOE14521532	4	4	4					Protection		
18	SA8210-08770	4	4	4			SS		Seat		
19	VOE11714386	4	4	4					O-ring		(SA8210-08870)
20	VOE14521518	8	8	8					Seat		

Date: 2013/12/4	Image id: 1006952	Catalogue: 20019	Model: EC55B
Brand: Volvo	Serial: 30001-, 50001-	Group/Section: 211/200	Title: Valve cover



Volvo Construction
Equipment
1006952

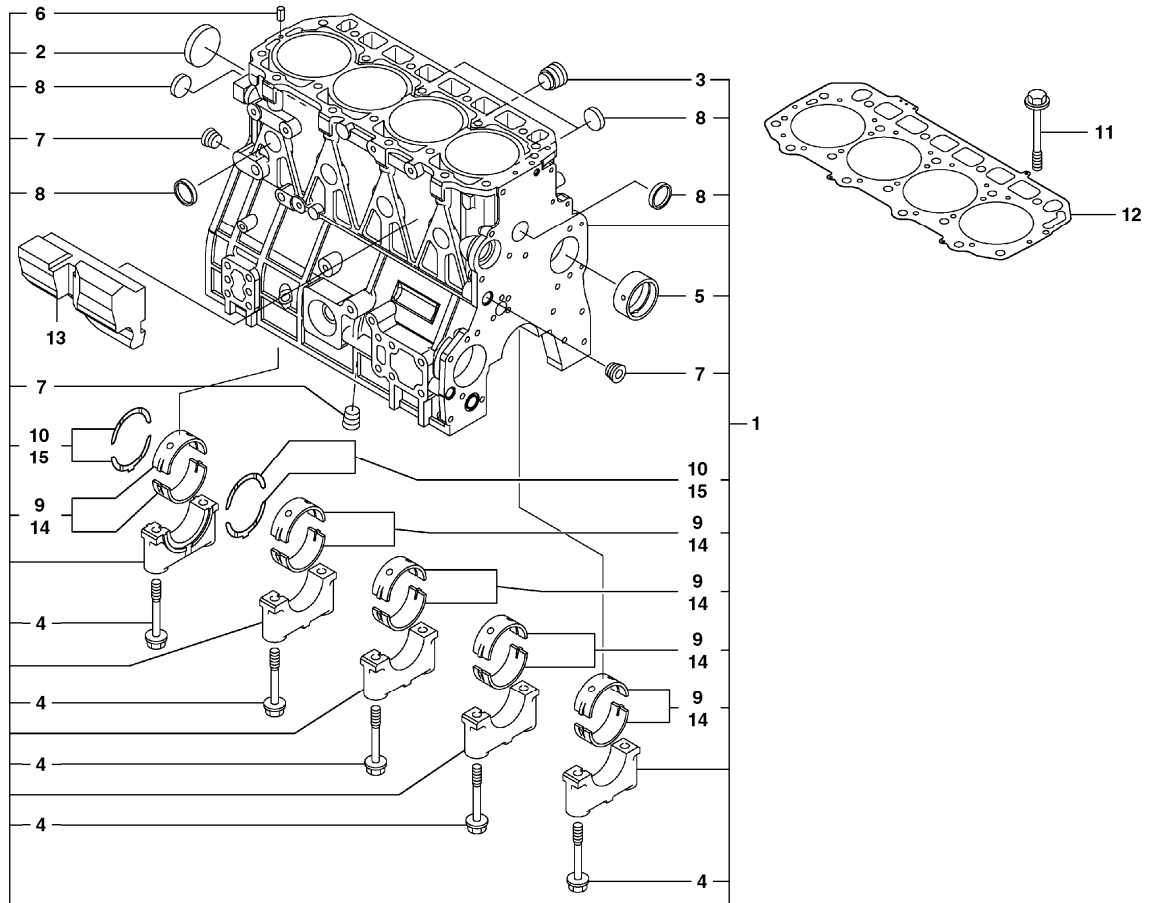
Section option	Kit	Option description
VOE8278797		Engine with Eu label EMISSION CERTIFICATED FROM EU
VOE8278798		Engine without Epa label INT AND KOREAN MARKET
VOE8278799		Engine with Epa label EMISSION CERTIFICATED FROM EPA

Q1-Q5	Option	Option description	
Q1 8278797	VOE8278797	Engine with Eu label EMISSION CERTIFICATED FROM EU	
Q2 8278798	VOE8278798	Engine without Epa label INT AND KOREAN MARKET	
Q3 8278799	VOE8278799	Engine with Epa label EMISSION CERTIFICATED FROM EPA	

Pos	Part	Q1	Q2	Q3	Q4	Q5	PS	Kit	Description	Option(s)	Remark
1	VOE14521544	1	1	1			SS		Cover		
2	VOE14521545	1	1	1					•Plate		
3	VOE14521546	1	1	1					•Baffle		
4	VOE14521547	1	1	1					•Baffle		
5	VOE14521548	1	1	1					•Diaphragm		

6	VOE14521549	1	1	1					•Plate		
7	VOE14521550	1	1	1					•Plate		
8	VOE14521551	1	1	1					•Spring		
9	VOE14521552	1	1	1					•Gasket		
10	VOE14521553	1	1	1					•Plug		
11	SA8210-08850	12	12	12					•Screw		
12	VOE11714385	4	4	4					Flange cap nut		(SA8210-03250)
13	VOE11714386	4	4	4					O-ring		(SA8210-08870)
14	VOE11714371	1	1	1					O-ring		(SA8210-08880)
15	VOE11714383	1	1	1					Cap		(SA8210-03240)

Date: 2013/12/4	Image id: 1006953	Catalogue: 20019	Model: EC55B
Brand: Volvo	Serial: 30001-, 50001-	Group/Section: 212/100	Title: Cylinder block



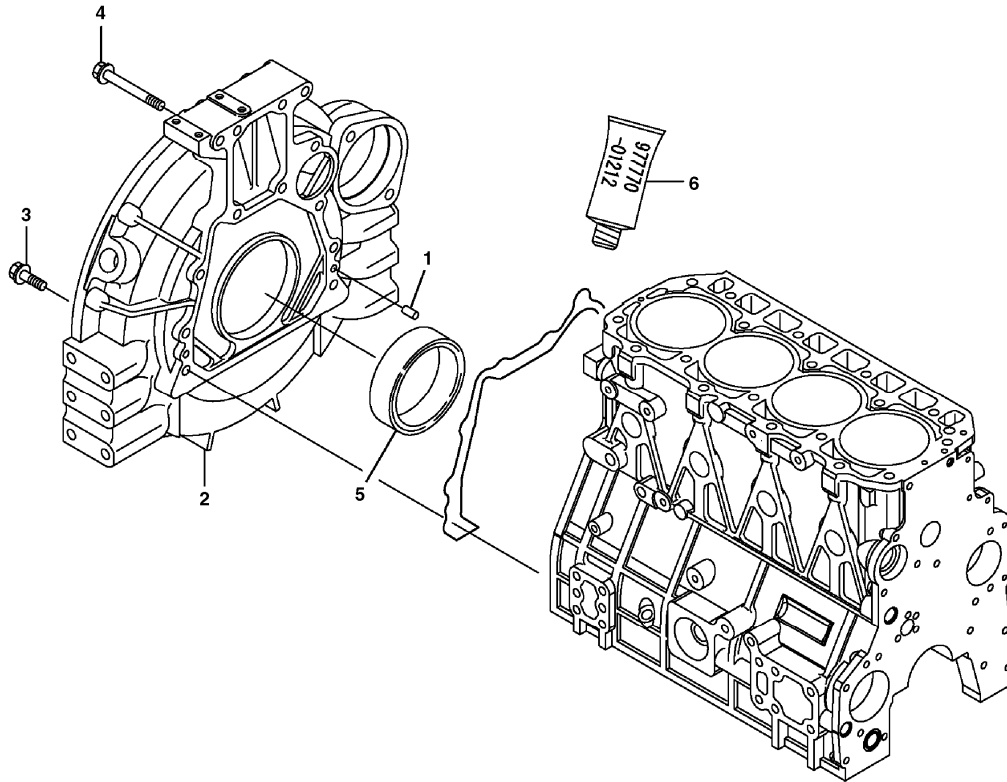
Section option	Kit	Option description
VOE8278797		Engine with Eu label EMISSION CERTIFICATED FROM EU
VOE8278798		Engine without Epa label INT AND KOREAN MARKET
VOE8278799		Engine with Epa label EMISSION CERTIFICATED FROM EPA

Q1-Q5	Option	Option description	
Q1 8278797	VOE8278797	Engine with Eu label EMISSION CERTIFICATED FROM EU	
Q2 8278798	VOE8278798	Engine without Epa label INT AND KOREAN MARKET	
Q3 8278799	VOE8278799	Engine with Epa label EMISSION CERTIFICATED FROM EPA	

Pos	Part	Q1	Q2	Q3	Q4	Q5	PS	Kit	Description	Option(s)	Remark
1	VOE15067547	1	1	1					Cylinder block		(VOE14521502)
2	VOE14521503	1	1	1					•Plug		
3	SA8210-05320	1	1	1			SS		•Plug		
4	VOE11714756	10	10	10					•Screw		(SA8210-04340)
5	VOE11714757	1	1	1					•Bushing		(SA8210-04360)

6	VOE11714387	2	2	2					•Spring pin		(SA8240-01340)
7	VOE14521504	3	3	3					•Plug		
8	VOE11714369	8	8	8					•Plug		(SA8210-06750)
9	SA8210-04370	5	5	5			SS		•Bearing		
10	VOE15057699	2	2	2					•Thrust washer		(SA8210-04380)
11	VOE11714759	18	18	18					Screw		(SA8210-04270)
12	VOE14617016	1	1	1					Gasket		(VOE14521505)
13	VOE14521506	1	1	1					Spacer		
14	VOE11714760	5	5	5					Main bearing		(SA8210-04350)0,25 U SZ
15	VOE11714761	2	2	2					Thrust washer		(SA8210-04390)0,25 O SZ

Date: 2013/12/4	Image id: 1006954	Catalogue: 20019	Model: EC55B
Brand: Volvo	Serial: 30001-, 50001-	Group/Section: 212/300	Title: Flywheel housing



Volvo Construction
Equipment
1006954

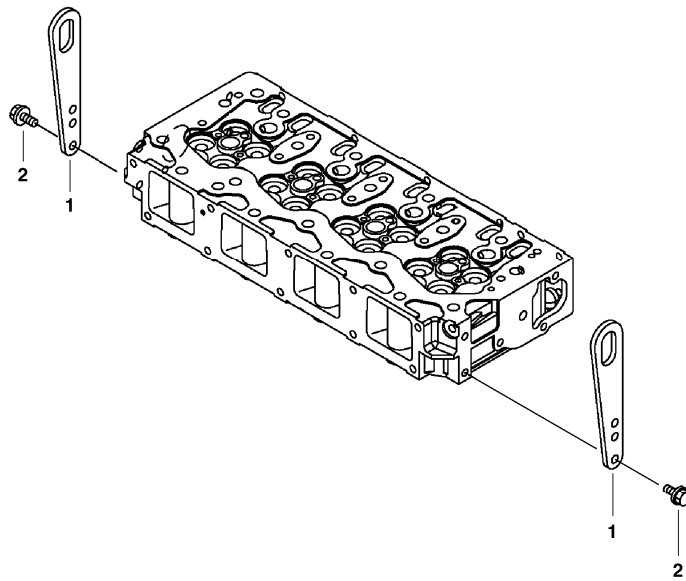
Section option	Kit	Option description
VOE8278797		Engine with Eu label EMISSION CERTIFICATED FROM EU
VOE8278798		Engine without Epa label INT AND KOREAN MARKET
VOE8278799		Engine with Epa label EMISSION CERTIFICATED FROM EPA

Q1-Q5	Option	Option description	
Q1 8278797	VOE8278797	Engine with Eu label EMISSION CERTIFICATED FROM EU	
Q2 8278798	VOE8278798	Engine without Epa label INT AND KOREAN MARKET	
Q3 8278799	VOE8278799	Engine with Epa label EMISSION CERTIFICATED FROM EPA	

Pos	Part	Q1	Q2	Q3	Q4	Q5	PS	Kit	Description	Option(s)	Remark
1	VOE11714376	2	2	2					Pin		(SA8210-03530)
2	VOE11714762	1	1	1					Flywheel housing		(SA8210-04290)
3	VOE11714763	9	9	9					Screw		(SA8240-01980)
4	VOE11714764	4	4	4					Screw		(SA8240-01990)
5	VOE14514458	1	1	1					Seal		

6	VOE14543857	1	1	1					Gasket		(SA8240-02760) Optional part
---	-------------	---	---	---	--	--	--	--	--------	--	---------------------------------

Date: 2013/12/4	Image id: 1006955	Catalogue: 20019	Model: EC55B
Brand: Volvo	Serial: 30001-, 50001-	Group/Section: 212/500	Title: Lifting eye



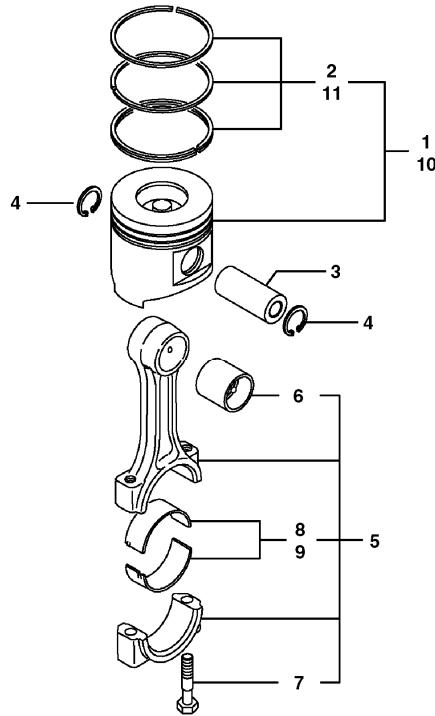
Volvo Construction
Equipment
1006955

Section option	Kit	Option description
VOE8278797		Engine with Eu label EMISSION CERTIFICATED FROM EU
VOE8278798		Engine without Epa label INT AND KOREAN MARKET
VOE8278799		Engine with Epa label EMISSION CERTIFICATED FROM EPA

Q1-Q5	Option	Option description	
Q1 8278797	VOE8278797	Engine with Eu label EMISSION CERTIFICATED FROM EU	
Q2 8278798	VOE8278798	Engine without Epa label INT AND KOREAN MARKET	
Q3 8278799	VOE8278799	Engine with Epa label EMISSION CERTIFICATED FROM EPA	

Pos	Part	Q1	Q2	Q3	Q4	Q5	PS	Kit	Description	Option(s)	Remark
1	VOE11714378	2	2	2					Lifting bracket		(SA8210-04400)
2	VOE11714372	4	4	4					Bolt		(SA8240-01680)

Date: 2013/12/4	Image id: 1006956	Catalogue: 20019	Model: EC55B
Brand: Volvo	Serial: 30001-, 50001-	Group/Section: 213/100	Title: Connecting rod and piston



Volvo Construction
Equipment
1006956

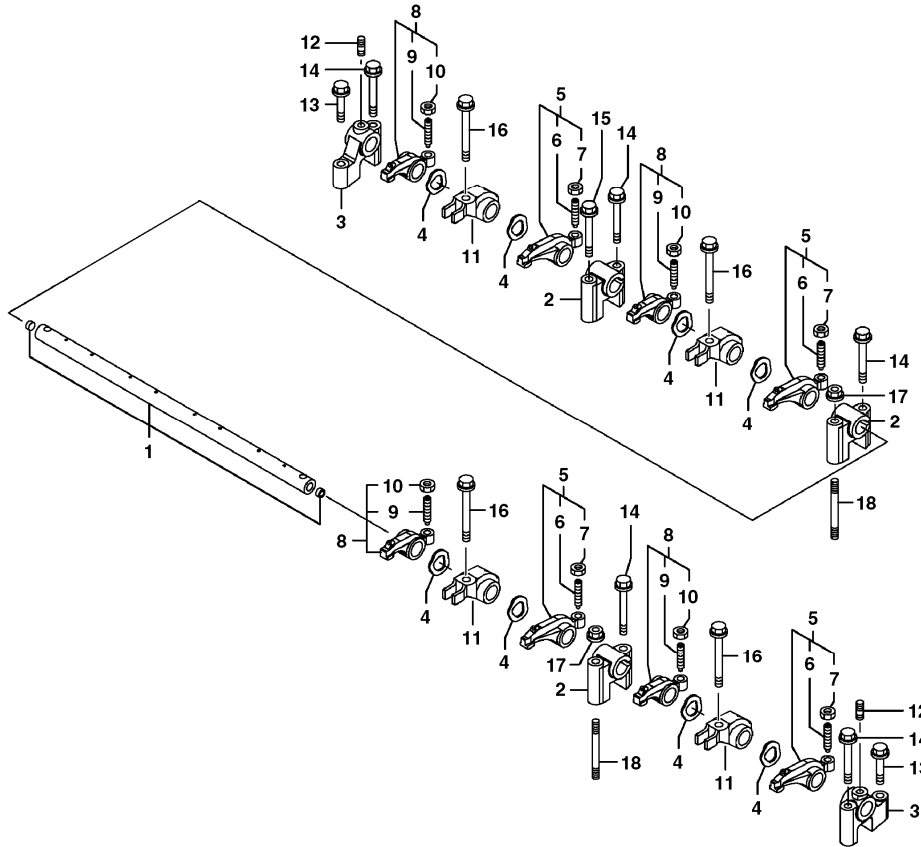
Section option	Kit	Option description
VOE8278797		Engine with Eu label EMISSION CERTIFICATED FROM EU
VOE8278798		Engine without Epa label INT AND KOREAN MARKET
VOE8278799		Engine with Epa label EMISSION CERTIFICATED FROM EPA

Q1-Q5	Option	Option description	
Q1 8278797	VOE8278797	Engine with Eu label EMISSION CERTIFICATED FROM EU	
Q2 8278798	VOE8278798	Engine without Epa label INT AND KOREAN MARKET	
Q3 8278799	VOE8278799	Engine with Epa label EMISSION CERTIFICATED FROM EPA	

Pos	Part	Q1	Q2	Q3	Q4	Q5	PS	Kit	Description	Option(s)	Remark
1	VOE14521566	4	4	4					Piston		
2	VOE14521567	4	4	4					•Ring		
3	VOE11714797	4	4	4					Gudgeon pin		(SA8210-02170)
4	SA8240-01140	8	8	8					Retaining ring		
5	VOE11714799	4	4	4					Connecting rod		(SA8210-04680)

6	SA8210-04720	4	4	4					•Bushing		Repair part
7	VOE11714801	8	8	8					•Screw		(SA8210-04690)
8	VOE11714802	4	4	4					•Piston Bearing		(SA8210-04700)
9	VOE11714803	4	4	4					Piston Bearing		(SA8210-04710)0,25 U SZ
10	VOE14521568	4	4	4					Piston		0,25 O SZ
11	VOE14521569	4	4	4					•Ring		0,25 O SZ

Date: 2013/12/4	Image id: 1006957	Catalogue: 20019	Model: EC55B
Brand: Volvo	Serial: 30001-, 50001-	Group/Section: 214/200	Title: Rocker arm



Volvo Construction
Equipment
1006957

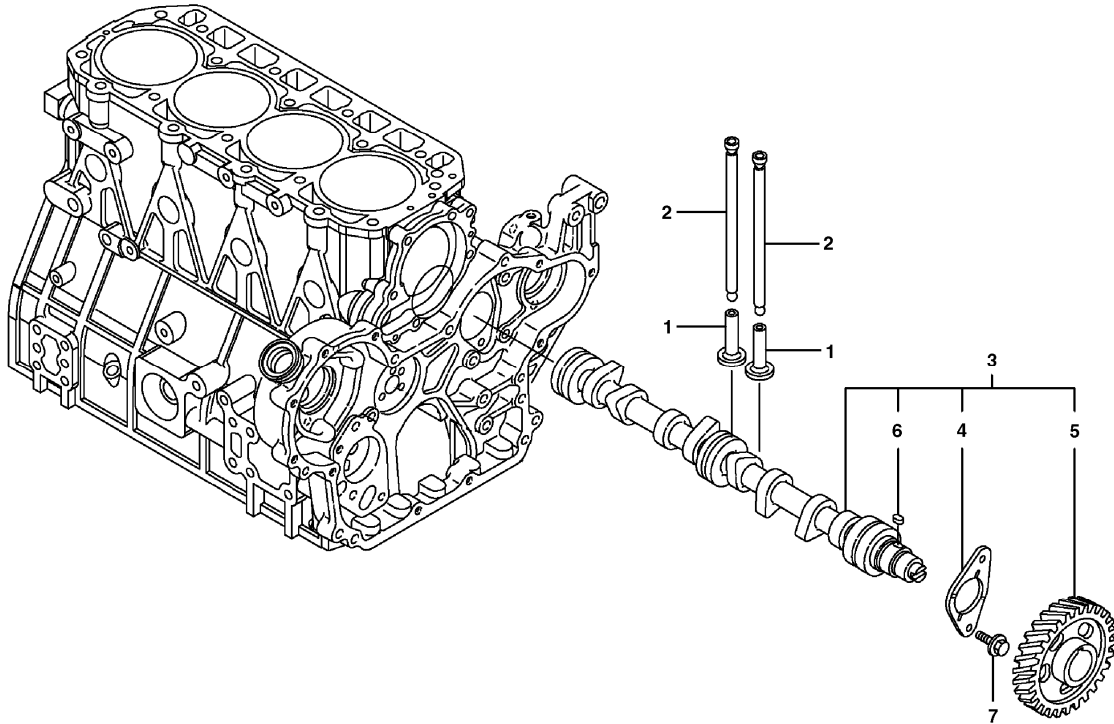
Section option	Kit	Option description
VOE8278797		Engine with Eu label EMISSION CERTIFICATED FROM EU
VOE8278798		Engine without Epa label INT AND KOREAN MARKET
VOE8278799		Engine with Epa label EMISSION CERTIFICATED FROM EPA

Q1-Q5	Option	Option description	
Q1 8278797	VOE8278797	Engine with Eu label EMISSION CERTIFICATED FROM EU	
Q2 8278798	VOE8278798	Engine without Epa label INT AND KOREAN MARKET	
Q3 8278799	VOE8278799	Engine with Epa label EMISSION CERTIFICATED FROM EPA	

Pos	Part	Q1	Q2	Q3	Q4	Q5	PS	Kit	Description	Option(s)	Remark
1	VOE14521534	1	1	1			SS		Support		
	VOE14521535	1	1	1					•Rocker arm		
2	VOE14521536	3	3	3					•Support		
3	VOE14521537	2	2	2					•Support		
4	VOE14521538	8	8	8					•Spring washer		

5	VOE14521539	4	4	4					•Rocker arm		
6	SA8210-03660	1	1	1					••Screw		
7	VOE11714380	1	1	1					••Nut		(SA8210-03680)
8	VOE14521540	4	4	4					•Rocker arm		
9	SA8210-03660	1	1	1					••Screw		
10	VOE11714380	1	1	1					••Nut		(SA8210-03680)
11	VOE14521541	4	4	4					•Retainer		
12	VOE14521542	2	2	2					•Bolt		
13	VOE11714487	2	2	2					Bolt		(SA8240-01710)
14	SA8240-01740	5	5	5			SS		Bolt		
15	SA8240-01750	1	1	1					Bolt		
16	SA8240-01770	4	4	4					Bolt		
17	VOE14521543	2	2	2					Nut		
18	VOE14521533	2	2	2					Bolt		

Date: 2013/12/4	Image id: 1006958	Catalogue: 20019	Model: EC55B
Brand: Volvo	Serial: 30001-, 50001-	Group/Section: 215/100	Title: Camshaft



Volvo Construction
Equipment
1006958

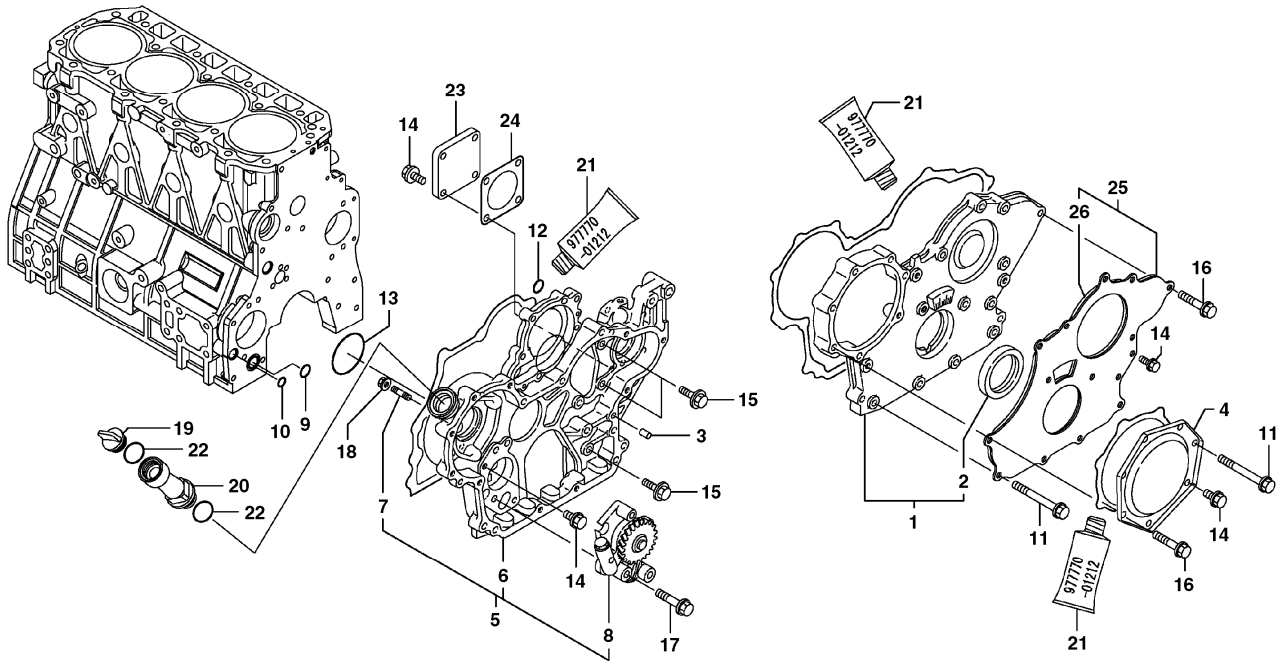
Section option	Kit	Option description
VOE8278797		Engine with Eu label EMISSION CERTIFICATED FROM EU
VOE8278798		Engine without Epa label INT AND KOREAN MARKET
VOE8278799		Engine with Epa label EMISSION CERTIFICATED FROM EPA

Q1-Q5	Option	Option description	
Q1 8278797	VOE8278797	Engine with Eu label EMISSION CERTIFICATED FROM EU	
Q2 8278798	VOE8278798	Engine without Epa label INT AND KOREAN MARKET	
Q3 8278799	VOE8278799	Engine with Epa label EMISSION CERTIFICATED FROM EPA	

Pos	Part	Q1	Q2	Q3	Q4	Q5	PS	Kit	Description	Option(s)	Remark
1	SA8210-08810	8	8	8			SS		Tappet		
2	VOE14521559	8	8	8					Push rod		
3	VOE14521560	1	1	1					Camshaft		
4	SA8210-03640	1	1	1					•Bearing		
5	SA8210-04580	1	1	1					•Gear		

6	SA8210-05520	1	1	1					•Key		
7	VOE11714372	2	2	2					Bolt		(SA8240-01680)

Date: 2013/12/4	Image id: 1006959	Catalogue: 20019	Model: EC55B
Brand: Volvo	Serial: 30001-, 50001-	Group/Section: 215/200	Title: Timing gear casing



Volvo Construction
Equipment
1006959

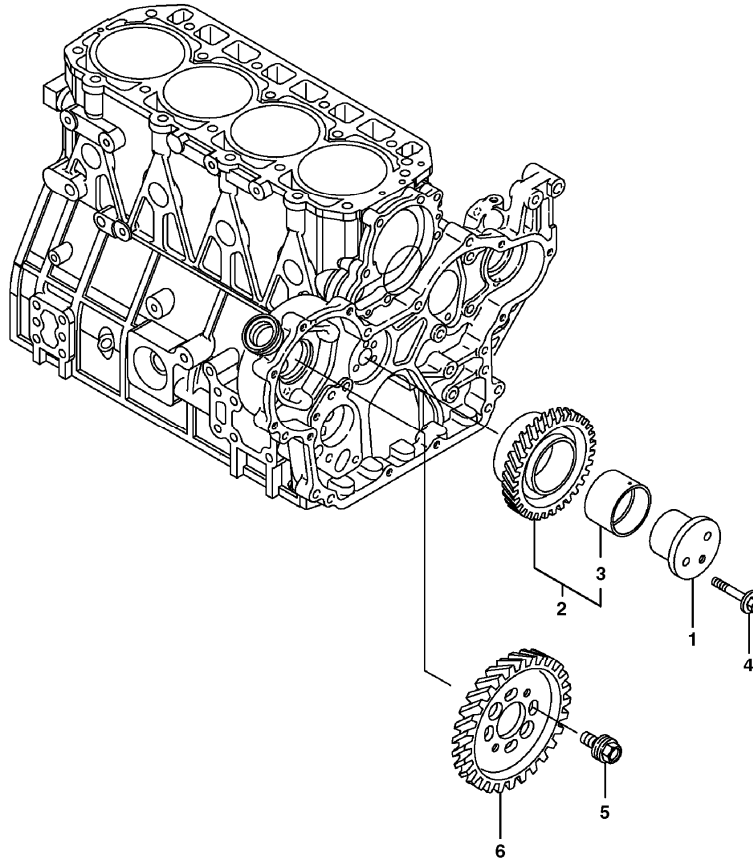
Section option	Kit	Option description
VOE8278797		Engine with Eu label EMISSION CERTIFICATED FROM EU
VOE8278798		Engine without Epa label INT AND KOREAN MARKET
VOE8278799		Engine with Epa label EMISSION CERTIFICATED FROM EPA

Q1-Q5	Option	Option description	
Q1 8278797	VOE8278797	Engine with Eu label EMISSION CERTIFICATED FROM EU	
Q2 8278798	VOE8278798	Engine without Epa label INT AND KOREAN MARKET	
Q3 8278799	VOE8278799	Engine with Epa label EMISSION CERTIFICATED FROM EPA	

Pos	Part	Q1	Q2	Q3	Q4	Q5	PS	Kit	Description	Option(s)	Remark
1	VOE14521507	1	1	1					Housing		
2	VOE14514867	1	1	1					•Sealing		
3	VOE11714376	4	4	4					Pin		(SA8210-03530)
4	VOE11714746	1	1	1					Cover		(SA8210-04300)
5	VOE14521508	1	1	1			SS		Case		

6	VOE14521183	1	1	1					•Case		
7	SA8210-02620	4	4	4					•Stud		
8	VOE14525387	1	1	1					•Pump		(VOE14521509)
9	VOE11714738	1	1	1					O-ring		(SA8210-04770)
10	VOE11714739	1	1	1					O-ring		(SA8210-04780)
11	VOE14521510	7	7	7					Bolt		
12	VOE14521511	1	1	1			SS		O-ring		
13	VOE14521512	1	1	1					Wrapping		
14	VOE11714372	9	9	9					Bolt		(SA8240-01680)
15	VOE11714388	3	3	3					Bolt		(SA8240-01700)
16	VOE11714487	10	10	10					Bolt		(SA8240-01710)
17	VOE11714377	3	3	3					Bolt		(SA8240-01720)
18	VOE14521513	4	4	4					Nut		
19	VOE11714383	1	1	1					Cap		(SA8210-03240)
20	SA8210-05300	1	1	1					Pipe		
21	VOE14543857	1	1	1					Gasket		(SA8240-02760) Optional part
22	VOE11714371	2	2	2					O-ring		(SA8210-08880)
23	VOE11714370	1	1	1					Cover		(SA8210-03280)
24	VOE14521514	1	1	1					Gasket		
25	VOE14521515	1	1	1					Cover		
26	VOE14521516	1	1	1					•Sponge		

Date: 2013/12/4	Image id: 1006960	Catalogue: 20019	Model: EC55B
Brand: Volvo	Serial: 30001-, 50001-	Group/Section: 215/250	Title: Timing gear



Volvo Construction
Equipment
1006960

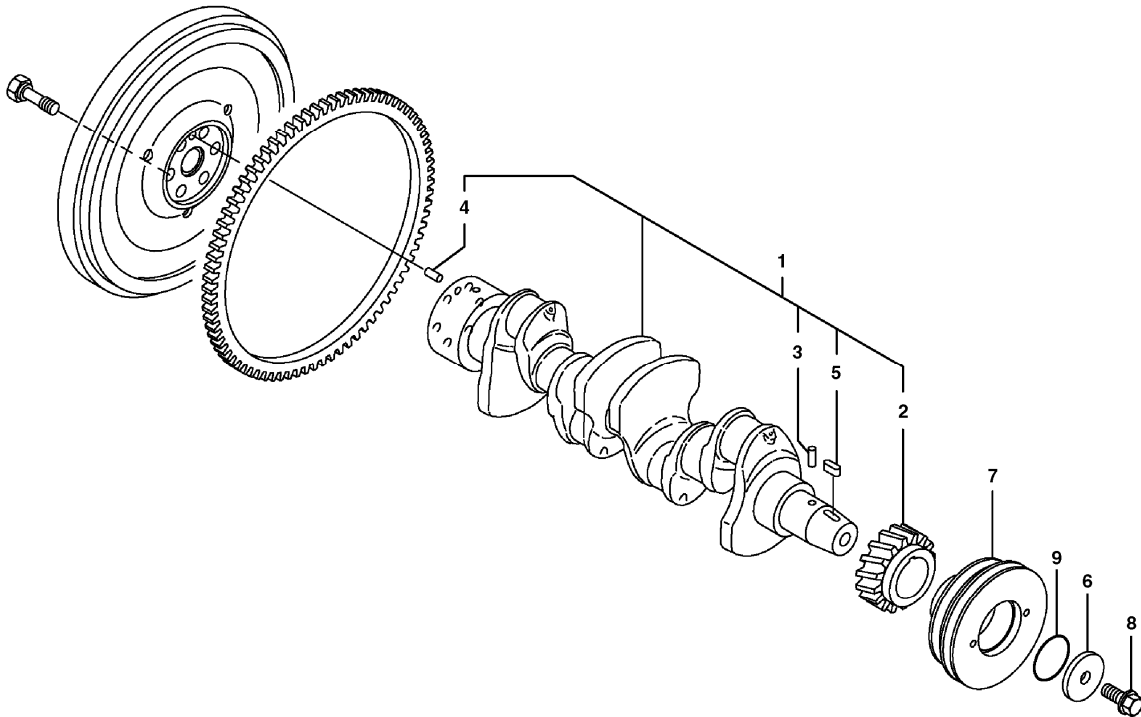
Section option	Kit	Option description
VOE8278797		Engine with Eu label EMISSION CERTIFICATED FROM EU
VOE8278798		Engine without Epa label INT AND KOREAN MARKET
VOE8278799		Engine with Epa label EMISSION CERTIFICATED FROM EPA

Q1-Q5	Option	Option description	
Q1 8278797	VOE8278797	Engine with Eu label EMISSION CERTIFICATED FROM EU	
Q2 8278798	VOE8278798	Engine without Epa label INT AND KOREAN MARKET	
Q3 8278799	VOE8278799	Engine with Epa label EMISSION CERTIFICATED FROM EPA	

Pos	Part	Q1	Q2	Q3	Q4	Q5	PS	Kit	Description	Option(s)	Remark
1	VOE14521561	1	1	1					Shaft		
2	VOE11714785	1	1	1					Gear		(SA8210-04740)
3	SA8210-03700	1	1	1					•Bushing		Repair part
4	VOE11714373	3	3	3					Bolt		(SA8240-01730)
5	VOE14521562	4	4	4					Bolt		

6	VOE14521563	1	1	1					Gear		
---	-------------	---	---	---	--	--	--	--	------	--	--

Date: 2013/12/4	Image id: 1006961	Catalogue: 20019	Model: EC55B
Brand: Volvo	Serial: 30001-, 50001-	Group/Section: 216/100	Title: Crankshaft



Volvo Construction
Equipment
1006961

Section option	Kit	Option description
VOE8278797		Engine with Eu label EMISSION CERTIFICATED FROM EU
VOE8278798		Engine without Epa label INT AND KOREAN MARKET
VOE8278799		Engine with Epa label EMISSION CERTIFICATED FROM EPA

Q1-Q5	Option	Option description	
Q1 8278797	VOE8278797	Engine with Eu label EMISSION CERTIFICATED FROM EU	
Q2 8278798	VOE8278798	Engine without Epa label INT AND KOREAN MARKET	
Q3 8278799	VOE8278799	Engine with Epa label EMISSION CERTIFICATED FROM EPA	

Pos	Part	Q1	Q2	Q3	Q4	Q5	PS	Kit	Description	Option(s)	Remark
1	VOE14521564	1	1	1					Crankshaft		
2	VOE11714790	1	1	1					•Crankshaft gear		(SA8210-04620)
3	VOE11714791	1	1	1					•Guide pin		(SA8210-02710)
4	VOE11714792	1	1	1					•Guide pin		(SA8210-02740)
5	SA8210-05520	1	1	1					•Key		



Download the full PDF manual instantly.

Our customer service e-mail:

aservicemanualpdf@yahoo.com