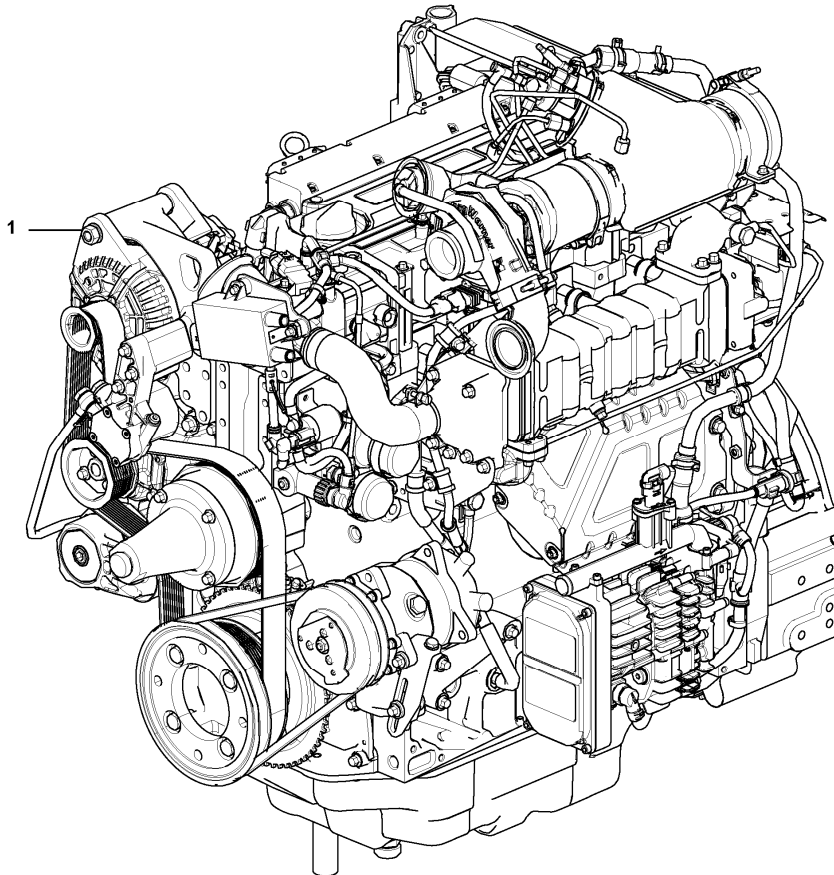


Date: 2013/10/11	Image id: 1062215	Catalogue: 20631	Model: EC160D L
Brand: Volvo	Serial: 220001-	Group/Section: 210/100	Title: Engine



Volvo Construction
Equipment
1062215

Section option	Kit	Option description
VOE15083709		Engine D4H, US
VOE15165685		Engine D4H, EU
VOE17231613		Engine D4HE, US
VOE17231615		Engine D4HE, EU
VOE8289853		Engine Installation D4H, EU
VOE8291024		Engine Installation D4H, US

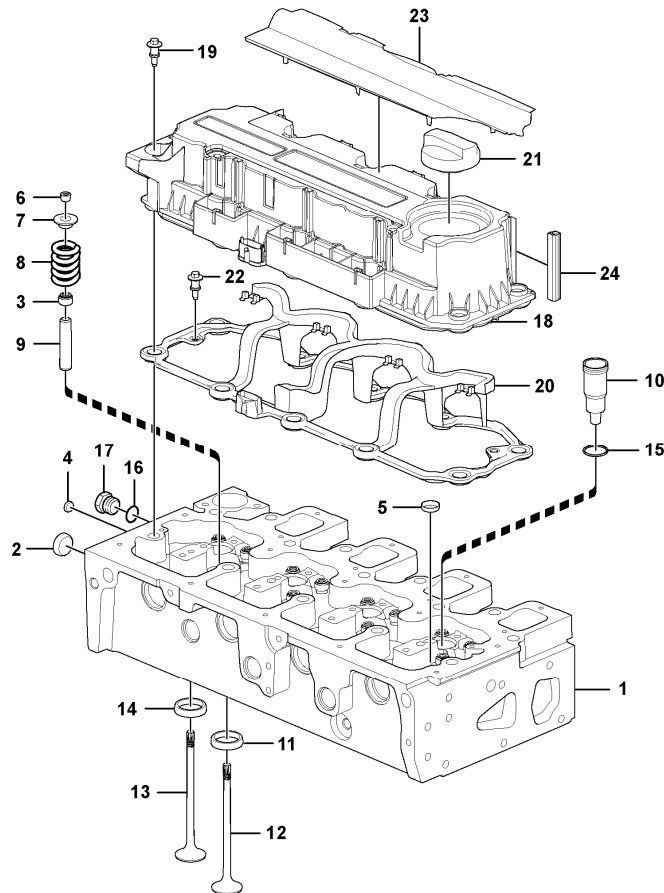
Q1-Q5	Option	Option description	
Q1 8291024	VOE8291024	Engine Installation D4H, US	
Q2 8289853	VOE8289853	Engine Installation D4H, EU	

Pos	Part	Q1	Q2	Q3	Q4	Q5	PS	Kit	Description	Option(s)	Remark
1	VOE17231613	1							Engine		See footnote 1) D4H, US

1	VOE17231615		1						Engine		See footnote 1) D4H, EU
---	-------------	--	---	--	--	--	--	--	--------	--	----------------------------

1) Replacement version

Date: 2013/10/11	Image id: 1062354	Catalogue: 20631	Model: EC160D L
Brand: Volvo	Serial: 220001-	Group/Section: 211/100	Title: Cylinder head 8291024, 8289853



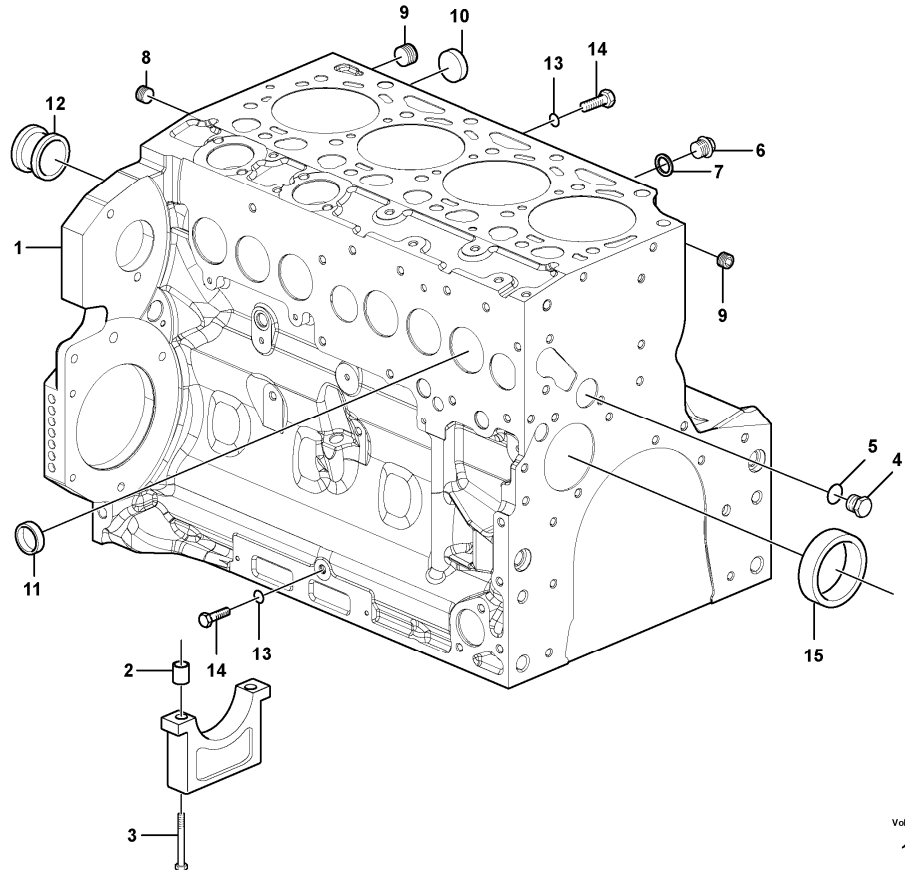
Volvo Construction
Equipment
1062354

Section option	Kit	Option description
VOE8289853		Engine Installation D4H, EU
VOE8291024		Engine Installation D4H, US

Pos	Part	Q1	Q2	Q3	Q4	Q5	PS	Kit	Description	Option(s)	Remark
1	VOE21785029	1							Cylinder head		
2	VOE20834024	4							Cap plug		
3	VOE20459855	16							Valve seal		
4	VOE20914266	2							Core Plug		
5	VOE20412733	10							Core plug		
6	VOE20459857	32							Valve sleeve		
7	VOE20788860	16							Cap		
8	VOE21775124	16							Valve spring		
9	VOE21705499	16							Valve guide		
10	VOE20903104	4							Sleeve		
11	VOE21775154	8							Valve insert		

12	VOE21770957	8							Inlet valve		
13	VOE21770981	8							Exhaust valve		
14	VOE21775149	8							Valve insert		
15	VOE20903092	4							O-ring		
16	VOE13947621	1							Plane gasket		
17	VOE20405716	1							Plug		
18	VOE21791279	1							Valve cover		
19	VOE21774068	12							Brace screw		
20	VOE21791370	1							Gasket		
21	VOE20405835	1							Cap		
22	VOE21774068	2							Brace screw		
23	VOE21791383	1							Cover strip		
24	VOE21775052	2							Sealing cup		

Date: 2013/10/11	Image id: 1062412	Catalogue: 20631	Model: EC160D L
Brand: Volvo	Serial: 220001-	Group/Section: 212/100	Title: Cylinder block 8291024, 8289853



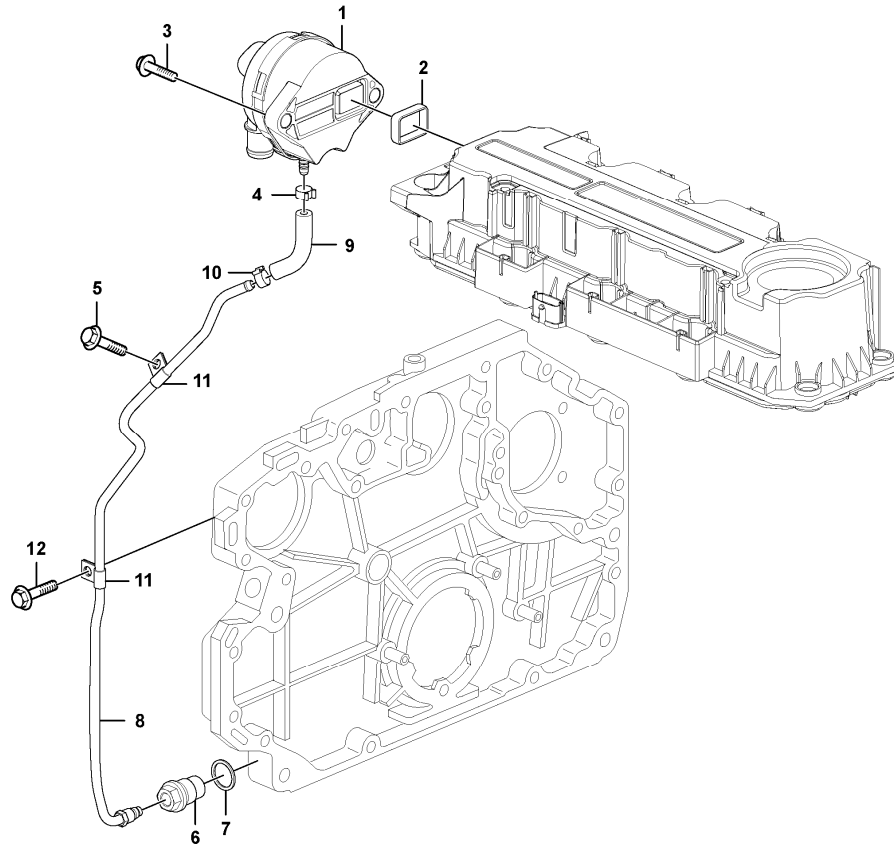
Volvo Construction
Equipment
1062412

Section option	Kit	Option description
VOE8289853		Engine Installation D4H, EU
VOE8291024		Engine Installation D4H, US

Pos	Part	Q1	Q2	Q3	Q4	Q5	PS	Kit	Description	Option(s)	Remark
1	VOE21785035	1							Crankcase		
2	VOE20460001	10							•Bushing		
3	VOE20460006	10							•Screw		
4	VOE20998904	1							•Plug		
5	VOE993680	1							•Gasket		
6	VOE20405716	2							•Plug		
7	VOE21108673	2							•Sealing ring		
8	VOE20785813	1							•Plug		
9	VOE20508600	2							•Plug		
10	VOE20412745	4							•Core plug		
11	VOE20405721	6							•Core plug		

12	VOE21863848	1							•Bearing bush		
13	VOE20459900	2							•Sealing ring		
14	VOE20459899	2							•Screw		
15	VOE20459999	4							•Camshaft bushing		

Date: 2013/10/11	Image id: 1062415	Catalogue: 20631	Model: EC160D L
Brand: Volvo	Serial: 220001-	Group/Section: 212/300	Title: Crankcase ventilation 8291024, 8289853

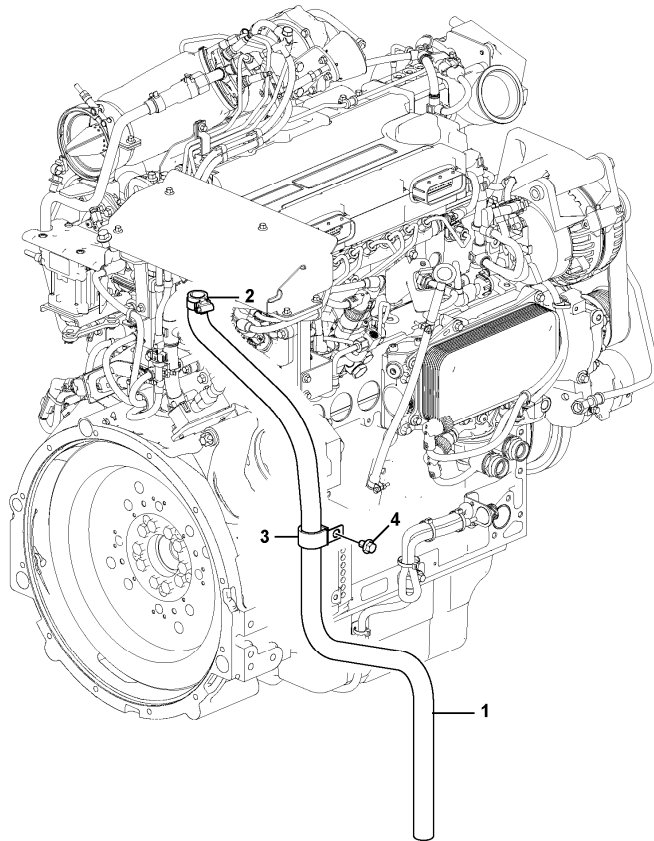


Volvo Construction
Equipment
1062415

Section option	Kit	Option description
VOE8289853		Engine Installation D4H, EU
VOE8291024		Engine Installation D4H, US

Pos	Part	Q1	Q2	Q3	Q4	Q5	PS	Kit	Description	Option(s)	Remark
1	VOE20930510	1							Pressure regulator		
2	VOE21038626	1							•Gasket		
3	VOE20405504	2							Screw		
4	VOE20971607	1							Clamp		
5	VOE20450728	1							Bolt		
6	VOE21496705	1							Drain valve		
7	VOE20460026	1							Sealing ring		
8	VOE21772197	1							Leak-off line		
9	VOE20971632	1							•Rubber hose		
10	VOE20405568	1							•Clip		
11	VOE20798831	2							•Clamp		

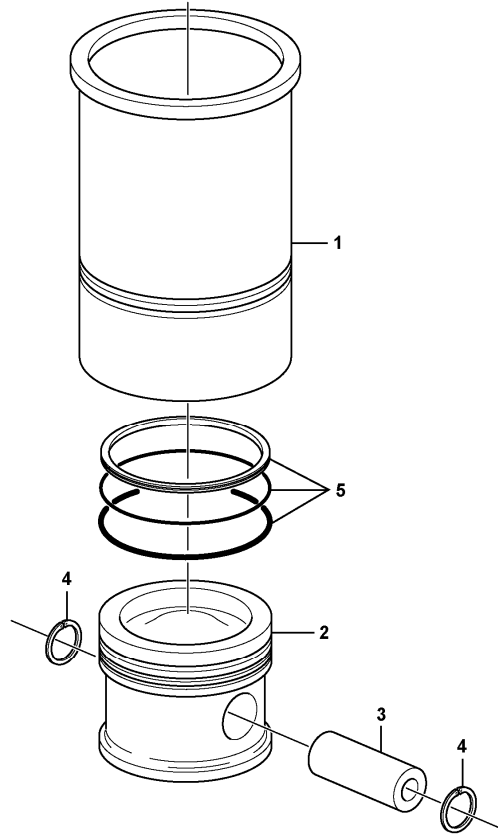
Date: 2013/10/11	Image id: 1062206	Catalogue: 20631	Model: EC160D L
Brand: Volvo	Serial: 220001-	Group/Section: 212/350	Title: Crankcase ventilation



Volvo Construction
Equipment
1062206

Pos	Part	Q1	Q2	Q3	Q4	Q5	PS	Kit	Description	Option(s)	Remark
1	VOE14618228	1							Hose		
2	VOE13943474	1							Hose clamp		
3	VOE14500297	1							Clip		
4	VOE946471	1							Flange screw		

Date: 2013/10/11	Image id: 1024633	Catalogue: 20631	Model: EC160D L
Brand: Volvo	Serial: 220001-	Group/Section: 213/100	Title: Cylinder liner and piston 8291024, 8289853

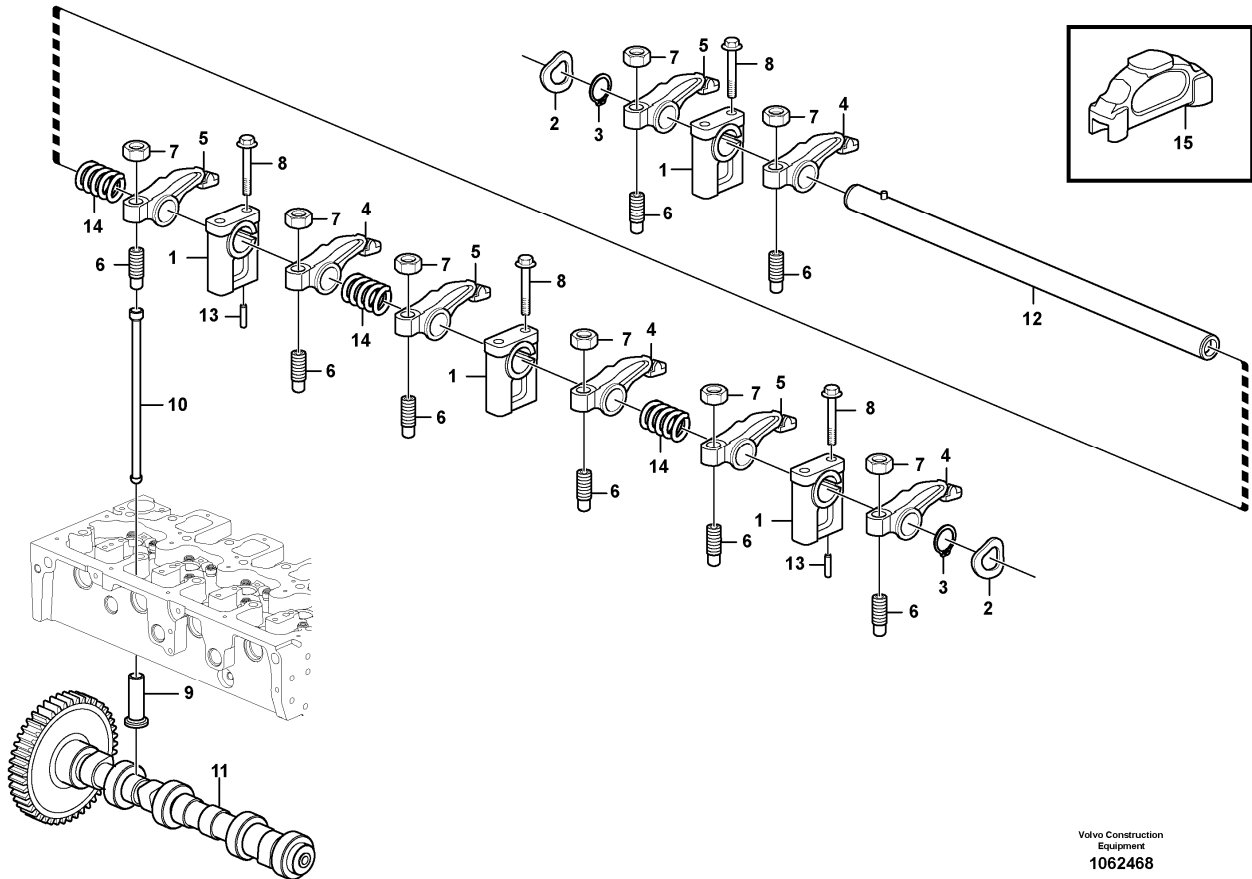


Volvo Construction
Equipment
1024633

Section option	Kit	Option description
VOE8289853		Engine Installation D4H, EU
VOE8291024		Engine Installation D4H, US

Pos	Part	Q1	Q2	Q3	Q4	Q5	PS	Kit	Description	Option(s)	Remark
1		1					NS		Cyl Liner Kit		
2	VOE21796902	1							Piston		
3	VOE21774994	1							Gudgeon pin		
4	VOE20798020	2							Lock Ring		
5	VOE21797646	1							Piston ring kit		

Date: 2013/10/11	Image id: 1062468	Catalogue: 20631	Model: EC160D L
Brand: Volvo	Serial: 220001-	Group/Section: 214/100	Title: Valve mechanism 8291024, 8289853



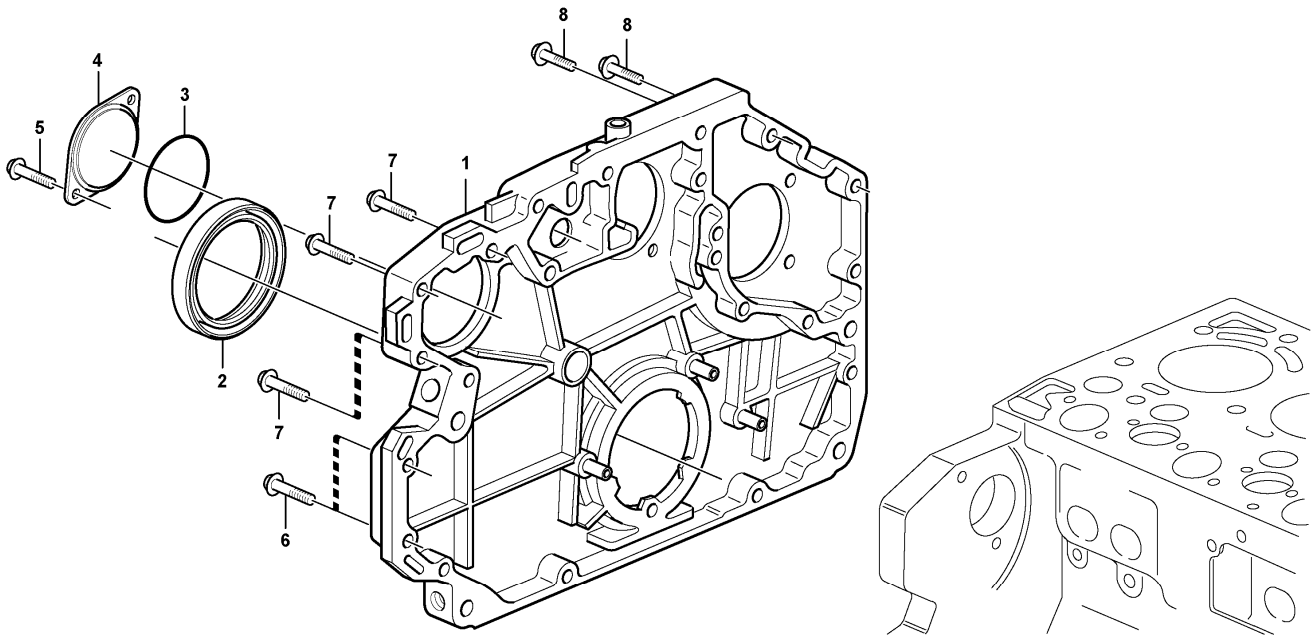
Volvo Construction
Equipment
1062468

Section option	Kit	Option description
VOE8289853		Engine Installation D4H, EU
VOE8291024		Engine Installation D4H, US

Pos	Part	Q1	Q2	Q3	Q4	Q5	PS	Kit	Description	Option(s)	Remark
1	VOE21770895	4							Bracket		
2	VOE21774733	2							Raceway washer		
3	VOE914456	2							Retaining ring		
4	VOE21772095	4							Rocker arm		
5	VOE21773500	4							Rocker arm		
6	VOE20861870	8							Adjusting Screw		
7	VOE11700373	8							Nut		
8	VOE20405723	8							Screw		
9	VOE21770937	8							Tappet		
10	VOE21775020	8							Push rod		
11	VOE21785022	1							Camshaft		

12	VOE21791217	1							Rocker arm shaft		
13	996089	2					NS		Pin		
14	VOE20800018	3							Compression spring		
15	VOE21775113	8							Valve bridge		

Date: 2013/10/11	Image id: 1062360	Catalogue: 20631	Model: EC160D L
Brand: Volvo	Serial: 220001-	Group/Section: 215/100	Title: Timing gear casing 8291024, 8289853

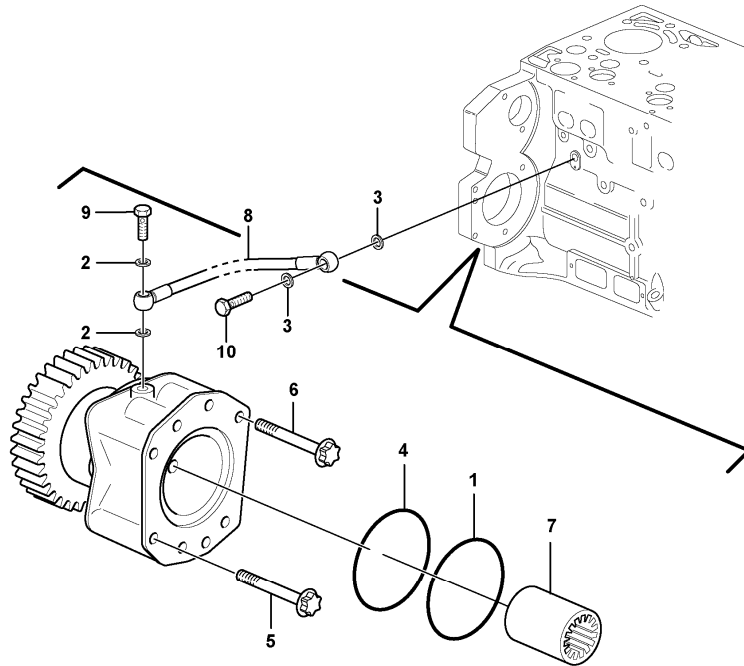


Volvo Construction
Equipment
1062360

Section option	Kit	Option description
VOE8289853		Engine Installation D4H, EU
VOE8291024		Engine Installation D4H, US

Pos	Part	Q1	Q2	Q3	Q4	Q5	PS	Kit	Description	Option(s)	Remark
1	VOE20841195	1							Gear Housing		
2	VOE21628356	1							Crankshaft seal		
3	VOE20405652	1							Sealing ring		
4	VOE20950063	1							Cover		
5	VOE20450801	2							Screw		
6	VOE20412324	12							Screw		
7	VOE20450801	3							Screw		
8	VOE13949578	2							Screw		

Date: 2013/10/11	Image id: 1062703	Catalogue: 20631	Model: EC160D L
Brand: Volvo	Serial: 220001-	Group/Section: 215/200	Title: Pump drive power take-off 8289945, 8291064, 8291065



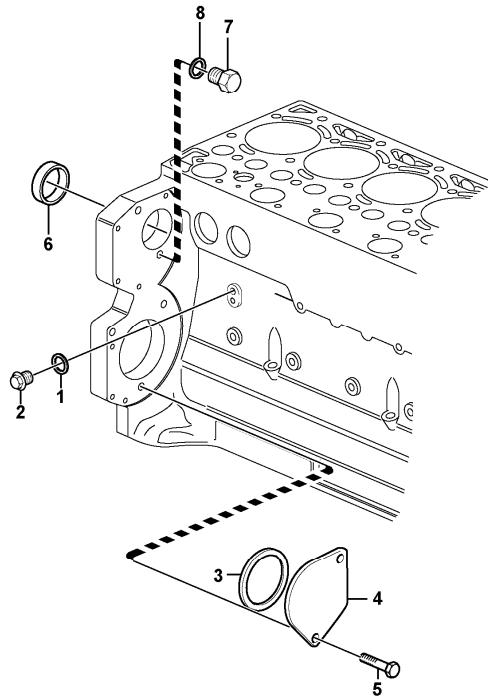
Volvo Construction
Equipment
1062703

Section option	Kit	Option description
VOE8289945		Leak-off line for slope-rotator on basic machine PROPORTIONAL CONTROL, 60 LPM
VOE8291064		Leak-off line for slope-rotator on basic machine ON/OFF, 40 LPM
VOE8291065		Leak-off line for slope-rotator on basic machine ON/OFF, 60 LPM

Pos	Part	Q1	Q2	Q3	Q4	Q5	PS	Kit	Description	Option(s)	Remark
	VOE20478270	1							Power take-off		
1	VOE20450819	1							•O-ring		
2	VOE13947281	2							•Gasket		
3	VOE13947621	2							•Plane gasket		
4	VOE20450818	1							•O-ring		
5	VOE20450820	2							•Screw		
6	VOE20450821	2							•Screw		
7	VOE20459123	1							•Sleeve		
8	VOE20459170	1							•Oil pipe		
9	VOE7025167	1							•Hollow screw		

10	VOE20460289	1							•Hollow screw		
----	-------------	---	--	--	--	--	--	--	---------------	--	--

Date: 2013/10/11	Image id: 1031450	Catalogue: 20631	Model: EC160D L
Brand: Volvo	Serial: 220001-	Group/Section: 215/300	Title: Pump drive power take-off 8291024, 8289853

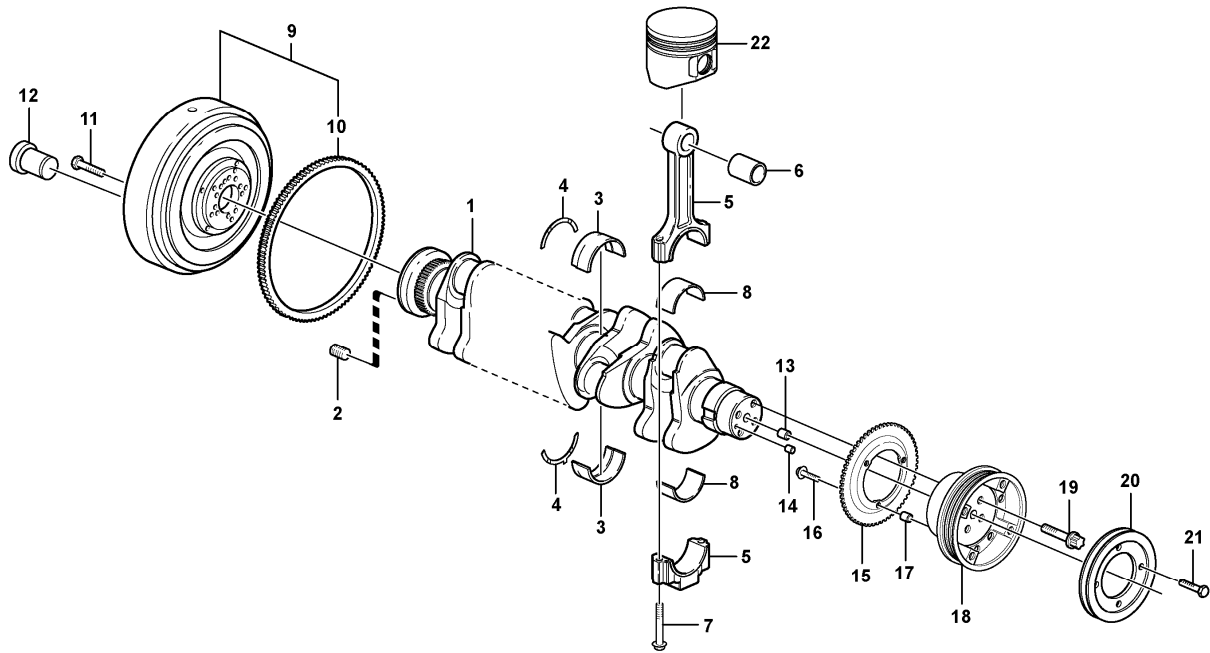


Volvo Construction
Equipment
1031450

Section option	Kit	Option description
VOE8289853		Engine Installation D4H, EU
VOE8291024		Engine Installation D4H, US

Pos	Part	Q1	Q2	Q3	Q4	Q5	PS	Kit	Description	Option(s)	Remark
1	VOE13947621	1							Plane gasket		
2	VOE20405716	1							Plug		
3	VOE20412359	1							Sealing ring		
4	VOE24426064	1							Cover		
5	VOE975108	2							Flange screw		
6	VOE20450778	1							Core plug		
7	VOE20441859	2							Plug		
8	VOE13947281	2							Gasket		

Date: 2013/10/11	Image id: 1062411	Catalogue: 20631	Model: EC160D L
Brand: Volvo	Serial: 220001-	Group/Section: 216/100	Title: Crankshaft and related parts 8291024, 8289853



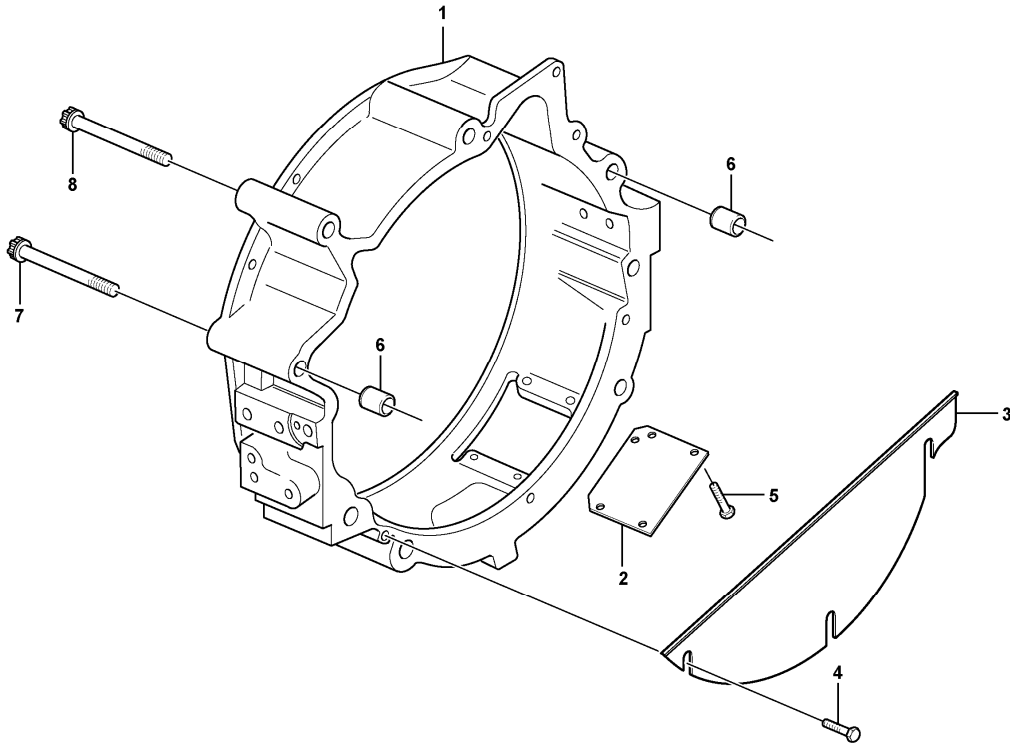
Volvo Construction
Equipment
1062411

Section option	Kit	Option description
VOE8289853		Engine Installation D4H, EU
VOE8291024		Engine Installation D4H, US

Pos	Part	Q1	Q2	Q3	Q4	Q5	PS	Kit	Description	Option(s)	Remark
1	VOE21351218	1							Crankshaft		
2	VOE20459144	10							•Insert		
3	VOE20850106	5							Main Bearing		STD = 84,00 MM
3	VOE20850110	5							Main Bearing		U SZ = 83,75 MM
4	VOE20850116	2							Thrust washer		STD 2,15 MM
4	VOE20850122	2							Thrust Washer		O SZ = 2,35 MM
5	VOE20851091	1							Connecting rod		
6	VOE20799647	1							•Piston Bearing		
7	VOE20799587	2							•Bolt		
8	VOE20850096	1							Big End Brg Kit		STD = 70,00 MM
8	VOE20850097	1							Big End Brg Kit		U SZ = 69,75 MM

9	VOE20524696	1							Flywheel		
10	VOE21033328	1							•Gear Ring		
11	VOE20405654	10							Bolt		
12	VOE20405643	5							Plug		
13	VOE20405634	1							Spring pin		
14	VOE20450628	1							Pin		
15	VOE21056673	1							Lock Washer		
16	VOE975108	3							Flange screw		
17	VOE20450838	1							Pin		
18	VOE21056677	1							Pulley		
19	VOE20405724	4							Screw		
20	VOE20459155	1							Pulley		
21	VOE20459156	4							Screw		
22		1							Piston		See ref 213/100

Date: 2013/10/11	Image id: 1027113	Catalogue: 20631	Model: EC160D L
Brand: Volvo	Serial: 220001-	Group/Section: 216/200	Title: Flywheel housing 8291024, 8289853

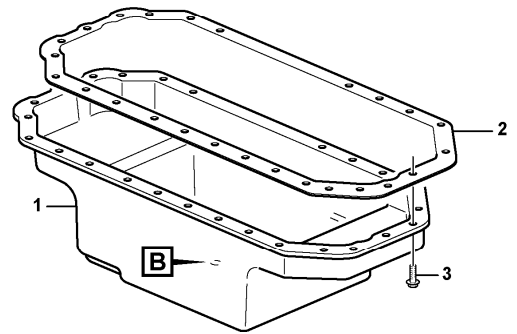
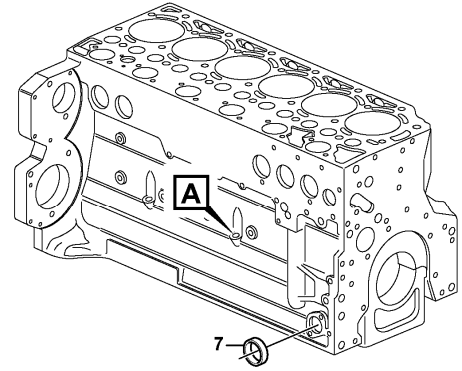
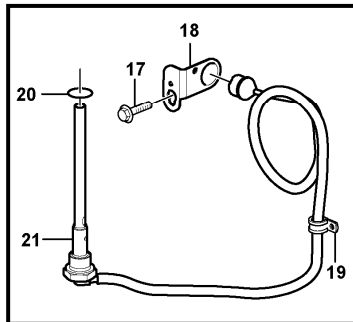
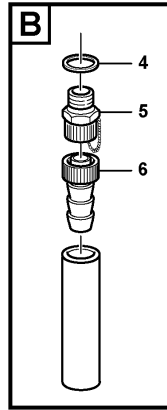
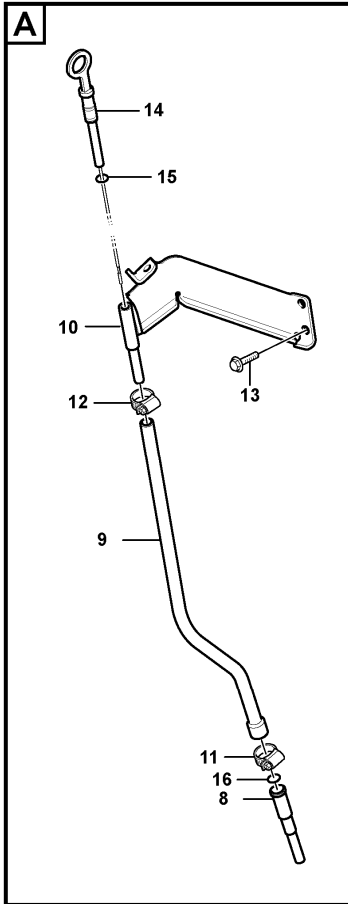


Volvo Construction
Equipment
1027113

Section option	Kit	Option description
VOE8289853		Engine Installation D4H, EU
VOE8291024		Engine Installation D4H, US

Pos	Part	Q1	Q2	Q3	Q4	Q5	PS	Kit	Description	Option(s)	Remark
1	VOE21018780	1							Flywheel Hsg		
2	VOE20547288	1							•Cover Plate		
3	VOE20459989	1							•Cover		
4	VOE20405729	3							•Screw		
5	VOE20405729	4							•Screw		
6	VOE21455862	2							Bushing		
7	VOE20459996	2							Screw		
8	VOE20459995	4							Screw		

Date: 2013/10/11	Image id: 1062361	Catalogue: 20631	Model: EC160D L
Brand: Volvo	Serial: 220001-	Group/Section: 217/100	Title: Oil sump 8291024, 8289853



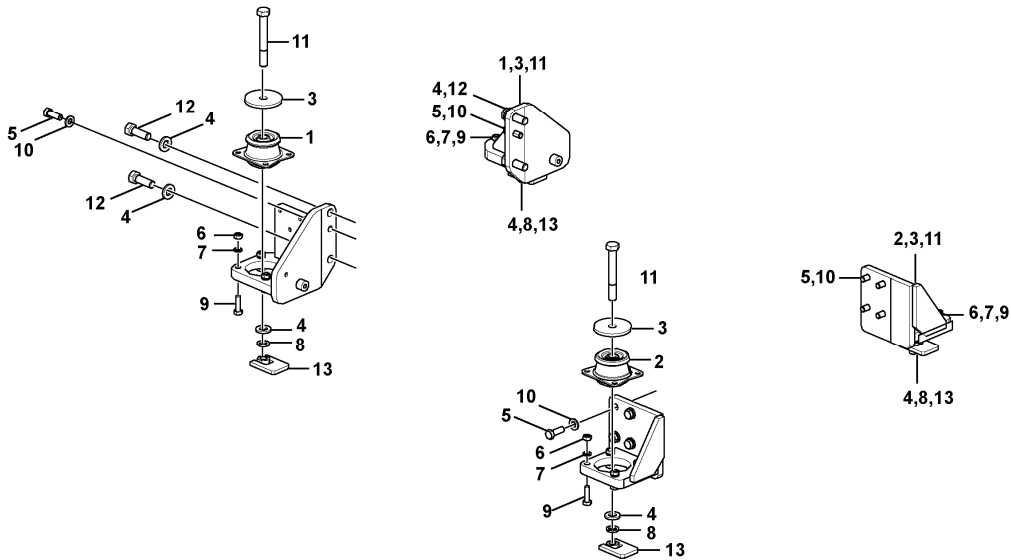
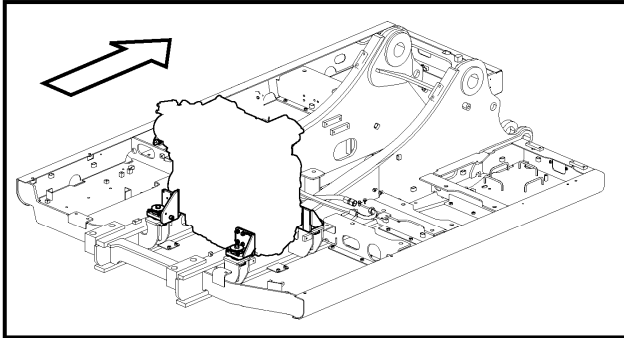
Volvo Construction
Equipment
1062361

Section option	Kit	Option description
VOE8289853		Engine Installation D4H, EU
VOE8291024		Engine Installation D4H, US

Pos	Part	Q1	Q2	Q3	Q4	Q5	PS	Kit	Description	Option(s)	Remark
1	VOE21056546	1							Oil Pan		
2	VOE20460021	1							Gasket		
3	VOE20405792	22							Screw		
4	VOE993679	1							Gasket		
5	VOE20450851	1							Drain valve		
6	VOE20478246	1							Hose		
7	VOE20412745	1							Core plug		
8	VOE20459164	1							Guide tube		
9	VOE21795813	1					NS		Guide Tube		
10	VOE21795810	1					NS		Bracket		
11	VOE20460214	1							Clip		

12	VOE20460215	1							Clip		
13	VOE20405792	2							Screw		
14	VOE24425848	1							Dipstick		
15	VOE20460218	1							•O-ring		
16	VOE21727990	1							Sealing ring		
17	VOE946440	1							Flange screw		
18	VOE14629190	1					NS		Bracket		
19	VOE14500292	2							Clip		
20	VOE20828295	1							Sealing ring		
21	VOE21391698	1							Level sensor		SE2202, SE2205

Date: 2013/10/11	Image id: 1061865	Catalogue: 20631	Model: EC160D L
Brand: Volvo	Serial: 220001-	Group/Section: 218/100	Title: Engine mounting



Volvo Construction
Equipment
1061865

Section option	Kit	Option description
VOE8289851		Basic Machine EC160D/EC180D

Pos	Part	Q1	Q2	Q3	Q4	Q5	PS	Kit	Description	Option(s)	Remark
1	VOE14603124	2							Cushion		
2	VOE14603125	2							Cushion		
3	SA1112-00830	4							Plate		
4	VOE992045	8							Plain washer		
5	VOE993029	10							Hexagon screw		
6	VOE983304	4							Hexagon nut		
7	VOE955922	16							Spring washer		
8	VOE955926	4							Spring washer		
9	VOE993025	16							Hexagon screw		
10	VOE992042	10							Plain washer		
11	VOE980466	4							Hexagon screw		
12	VOE978938	4							Hexagon screw		



Download the full PDF manual instantly.

Our customer service e-mail:

aservicemanualpdf@yahoo.com