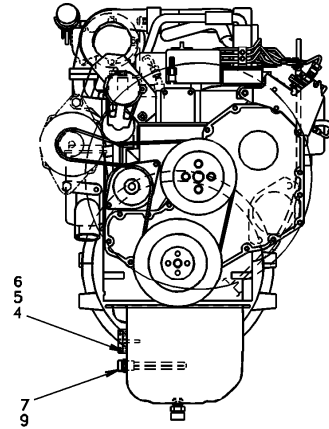
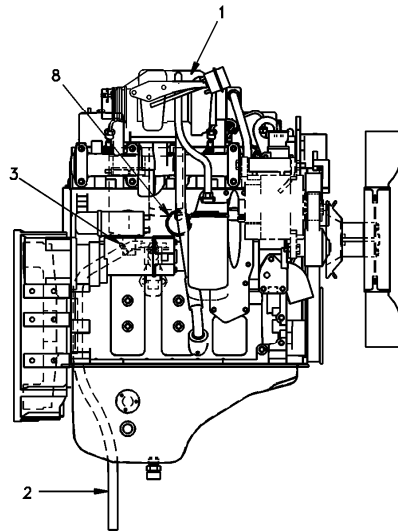
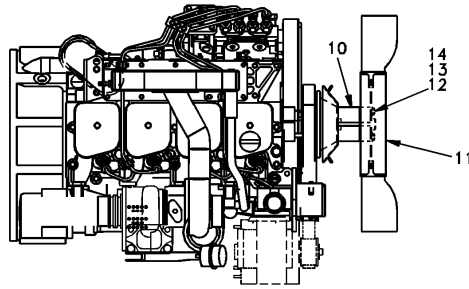


Date: 2013/10/7	Image id: SO101A	Catalogue: 56126	Model: EC150 LC
Brand: Volvo	Serial: 3001-9999 -	Group/Section: 210/100	Title: Engine



Volvo Construction
Equipment
SO101A

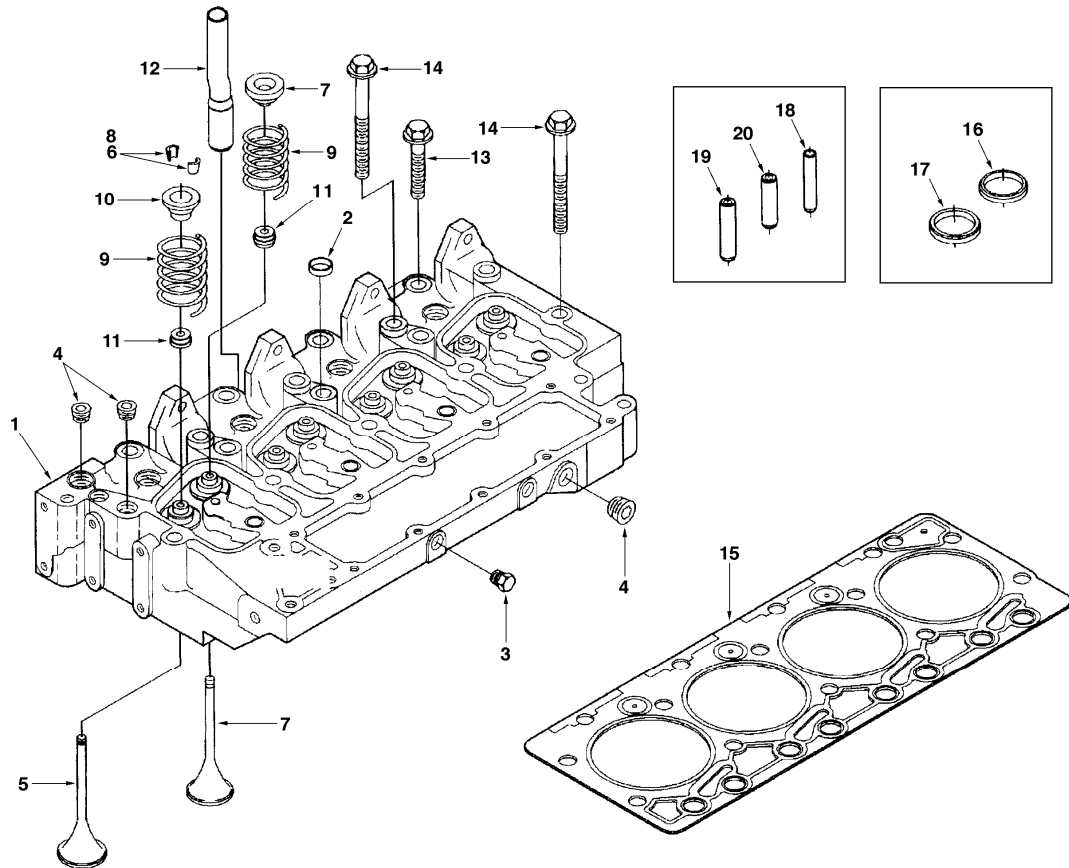
Section option	Kit	Option description
SADK00A001		Basic Machine EC150
SADK04C001		Engine block heater 120V
SADK04C002		Engine block heater 240V
SADK04H001		Cooling system
SADK04H002		Cooling system for tropical

Q1-Q5	Option	Option description	
Q1 DK00A001	SADK00A001	Basic Machine EC150	
Q2 DK04C001	SADK04C001	Engine block heater 120V	
Q3 DK04C002	SADK04C002	Engine block heater 240V	
Q4 DK04H001	SADK04H001	Cooling system	
Q5 DK04H002	SADK04H002	Cooling system for tropical	

Pos	Part	Q1	Q2	Q3	Q4	Q5	PS	Kit	Description	Option(s)	Remark
1	VOE14504020	1					OP		Engine		

2	SA9952-19016	1						Hose		
3	SA9312-00006	1						Clamp		
4	SA1111-00221	1						Connector		
5	SA9511-22025	1						O-ring		
6	SA9016-10603	3						Bolt		
7	SA2011-00440		1					Heater		120V
	SA2011-00430			1				Heater		240V
8	SA2011-00500		1					Heater		120V
	SA2011-00490			1				Heater		240V
9	SA9426-20080		1	1				Gasket		
10	SA2011-01080	1						Spacer		
11	VOE14504754				1			Cooling Fan		STD 18"
	VOE14504755					1		Cooling Fan		TROPICAL 20"
12	SA9011-21019				4	4		Hexagon screw		
13	SA9211-10000				4	4		Washer		
14	SA9213-10000				4	4	SS	Spring Washer		SER NO 3001-3172
	VOE955922				4	4		Spring washer		SER NO 3173-

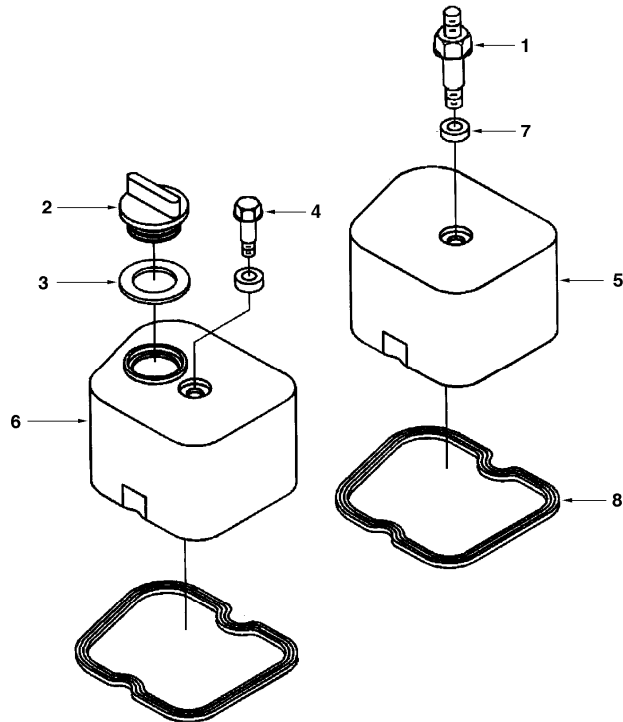
Date: 2013/10/7	Image id: SO102	Catalogue: 56126	Model: EC150 LC
Brand: Volvo	Serial: 3001-9999 -	Group/Section: 211/100	Title: Cylinder head



Pos	Part	Q1	Q2	Q3	Q4	Q5	PS	Kit	Description	Option(s)	Remark
1	SA3930918	1							Cylinder head		
2	SA3812092	2							•Plug		
3	SA3906619	1							•Plug		
4	SA3008468	5							•Tube plug		
5	SA3802355	4							•Valve		INLET
6	SA3900250	8							••Collet		
7	SA3802356	4							•Valve		OUTLET
8	SA3900250	8							••Collet		
9	SA3926700	8							•Spring		
10	SA3935038	8							•Retainer		
11	SA3921640	8							•Sealing		
12	SA3934712	1							Pipe		
13	SA3920779	4							Bolt		
14	SA3920780	10							Bolt		
15	SA3283333	1							Gasket		

16	SA3925177	REQ							Insert		INTAKE
17	SA3925176	REQ							Insert		OUTLET
18	SA3906206	REQ							Guide		INTAKE AND OUTLET
19	SA3904408	REQ							Guide		INTAKE
20	SA3904409	REQ							Guide		OUTLET

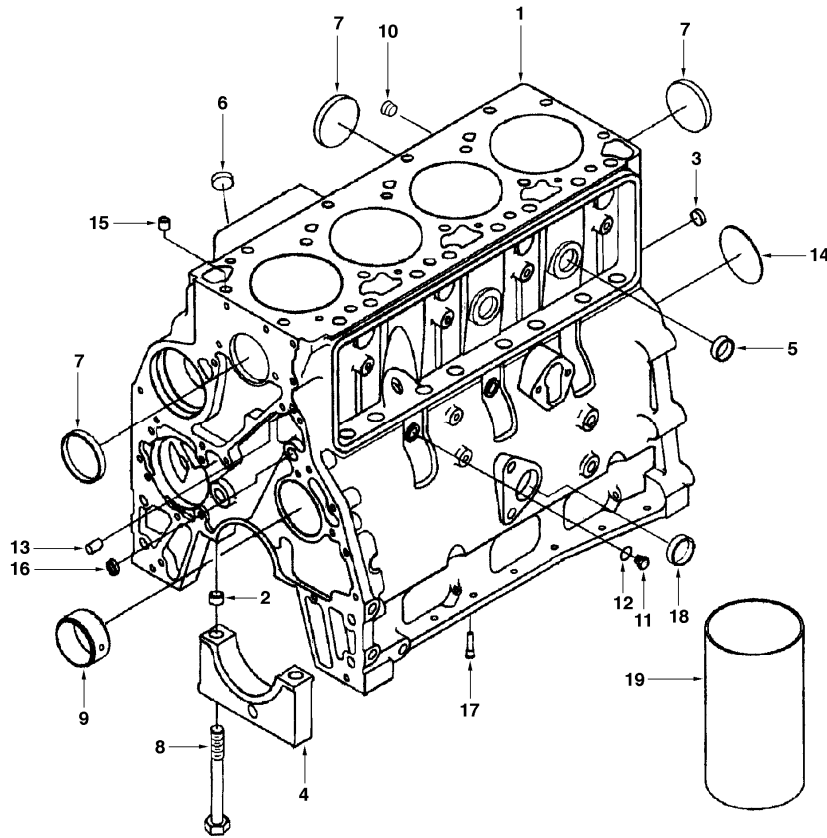
Date: 2013/10/7	Image id: SO103	Catalogue: 56126	Model: EC150 LC
Brand: Volvo	Serial: 3001-9999 -	Group/Section: 211/200	Title: Valve cover



Volvo Construction
Equipment
SO103

Pos	Part	Q1	Q2	Q3	Q4	Q5	PS	Kit	Description	Option(s)	Remark
1	SA3920344	1							Screw		
2	SA3901895	1							Cap		
3	SA3902363	1					SS		Seal		
4	SA3907049	3							Screw		
5	SA3928404	3							Cover		
6	SA3928405	1							Cover		
7	SA3928406	4					SS		Seal		
8	SA3930906	4					SS		Gasket		

Date: 2013/10/7	Image id: SO104A	Catalogue: 56126	Model: EC150 LC
Brand: Volvo	Serial: 3001-9999 -	Group/Section: 212/100	Title: Cylinder block

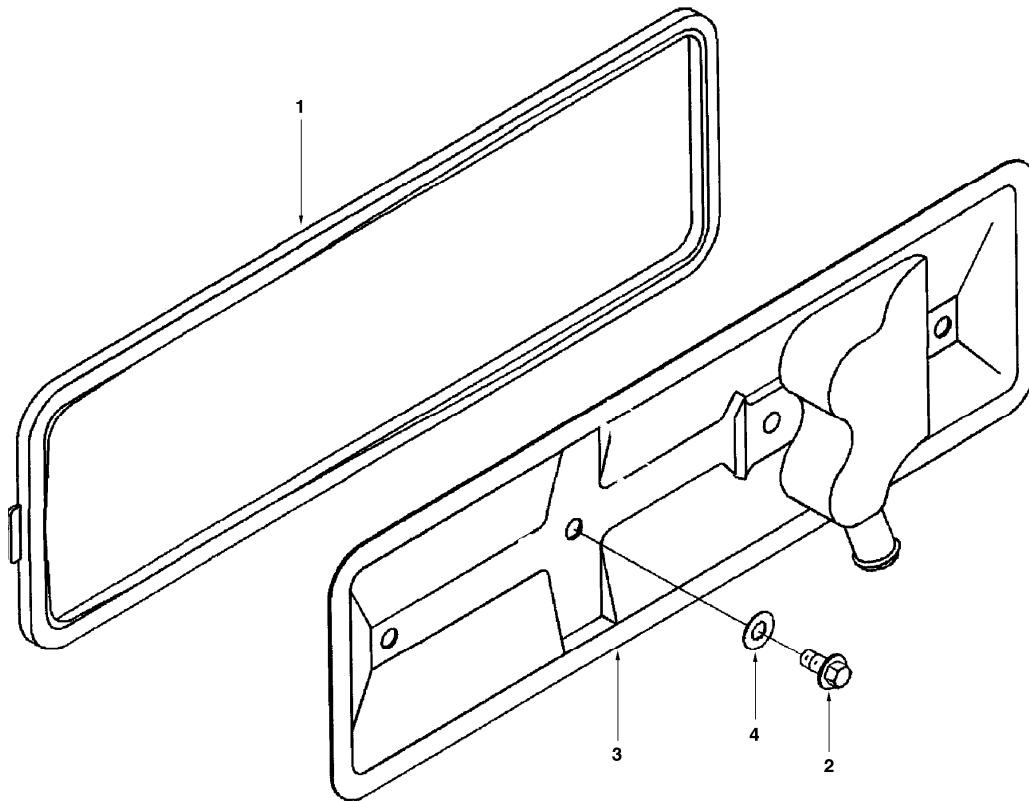


Volvo Construction
Equipment
SO104A

Pos	Part	Q1	Q2	Q3	Q4	Q5	PS	Kit	Description	Option(s)	Remark
1	SA3932012	1					SS		Cylinder Block		
2	SA3900068	12							•Ring		
3	SA3900956	3							•Plug		
4	SA3900967	5					SS		•Cap		
5	SA3910435	2					OP		•Plug		
6	SA3920706	6							•Plug		
7	SA3922072	3							•Plug		
8	SA3927948	10							•Screw		
9	SA3940059	1							•Bushing		
	SA3903242	REQ							•Bushing		OSZ 1 BORE
	SA3904369	REQ							•Bushing		OSZ 2-4 BORE
10	SA3008469	1							•Plug		
11	SA3678923	2							•Plug		
12	SA3678925	1							••Seal		
13	SA3900257	2							•Locating pin		

14	SA3900687	1							•Plug		
15	SA3902343	2							•Ring		
16	SA3926047	1							•Seal		
17	SA3930139	4					SS		•Nozzle		
18	SA3900958	1							Plug		
19	SA3904166	REQ					SS		Sleeve		

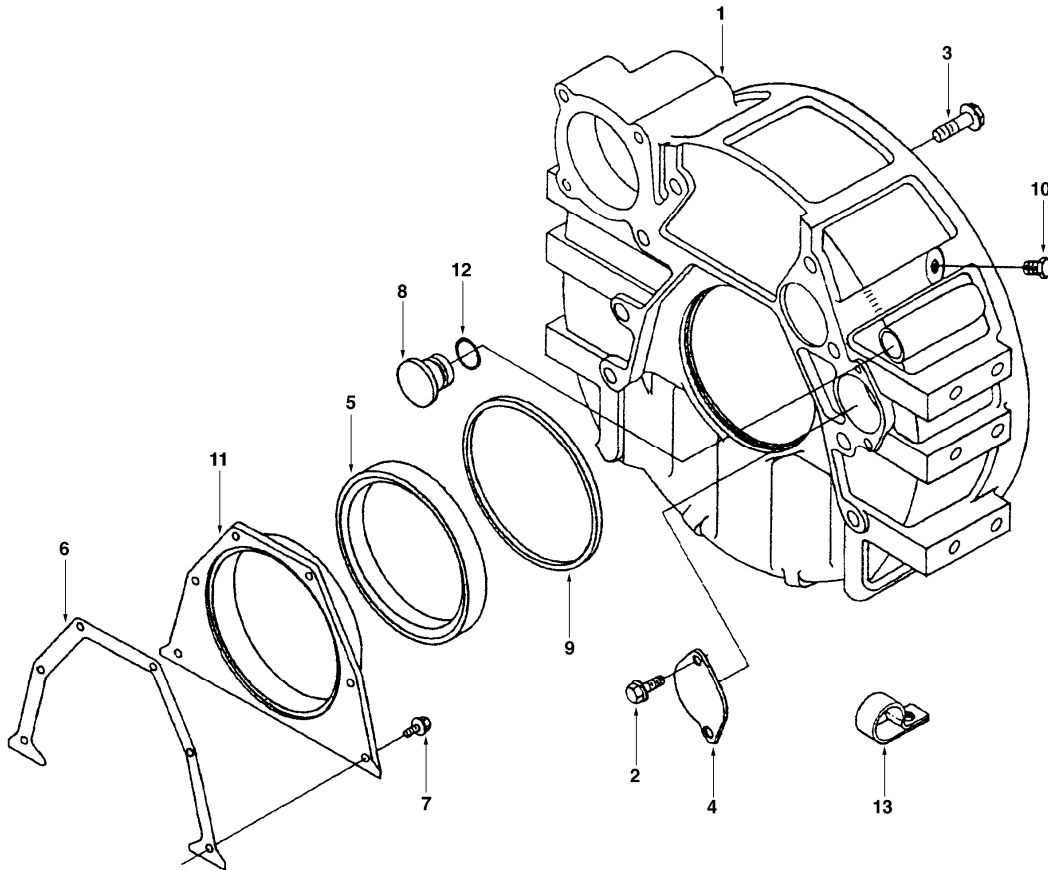
Date: 2013/10/7	Image id: SO105	Catalogue: 56126	Model: EC150 LC
Brand: Volvo	Serial: 3001-9999 -	Group/Section: 212/200	Title: Crankcase ventilation



Volvo Construction
Equipment
SO105

Pos	Part	Q1	Q2	Q3	Q4	Q5	PS	Kit	Description	Option(s)	Remark
1	SA3283767	1							Gasket		
2	SA3900629	2							Screw		
3	SA3936180	1					OP		Cover		
4	SA3928759	2							Seal		

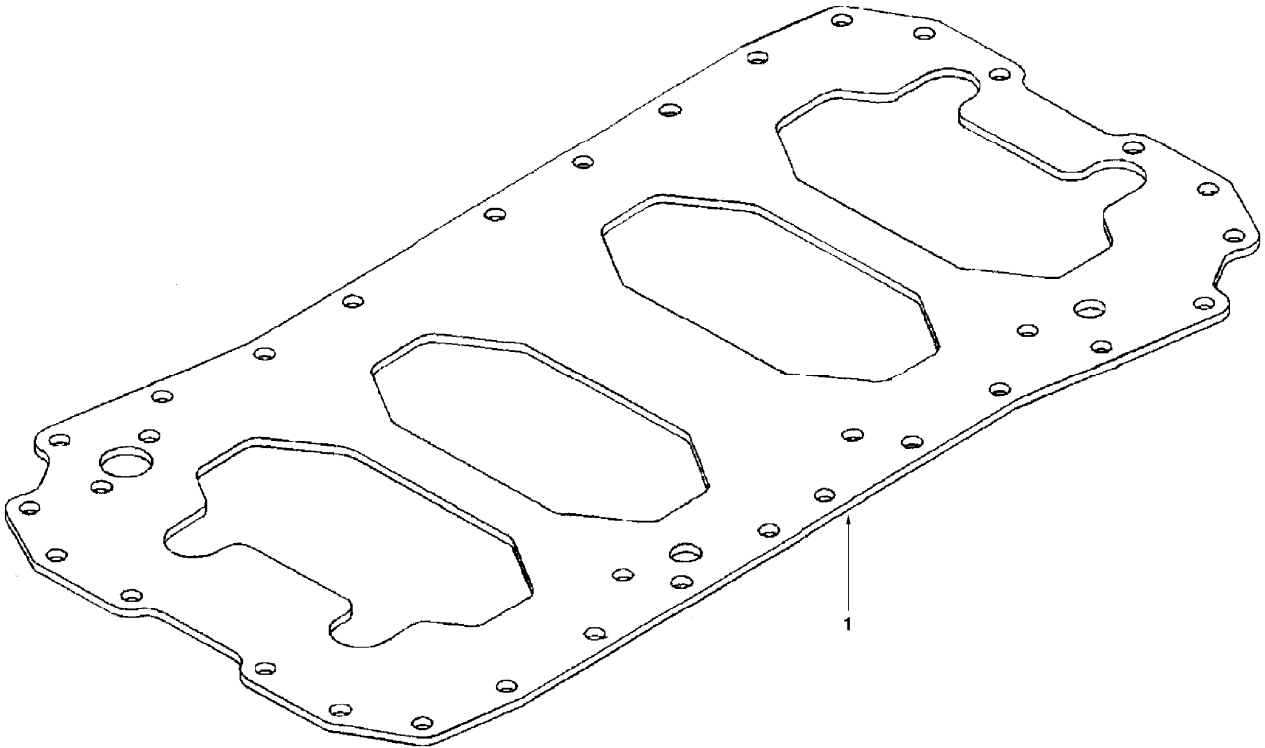
Date: 2013/10/7	Image id: SO106	Catalogue: 56126	Model: EC150 LC
Brand: Volvo	Serial: 3001-9999 -	Group/Section: 212/300	Title: Flywheel housing



Volvo Construction
Equipment
SO106

Pos	Part	Q1	Q2	Q3	Q4	Q5	PS	Kit	Description	Option(s)	Remark
1	SA3937426	1							Flywheel Hsg		
2	SA3912072	2							Screw		
3	SA3920447	8							Screw		
4	SA3925234	1							Plate		
5	SA3934486	1							Seal		
6	SA3928493	1							Gasket		
7	SA3913638	6							Screw		
8	SA3910248	1							Plug		
9	SA3912473	1					SS		Seal		
10	SA3904181	1							Plug		
11	SA3936895	1					SS		Cover		
12	SA3910260	1							Seal		
13	SA3928989	1							Clip		

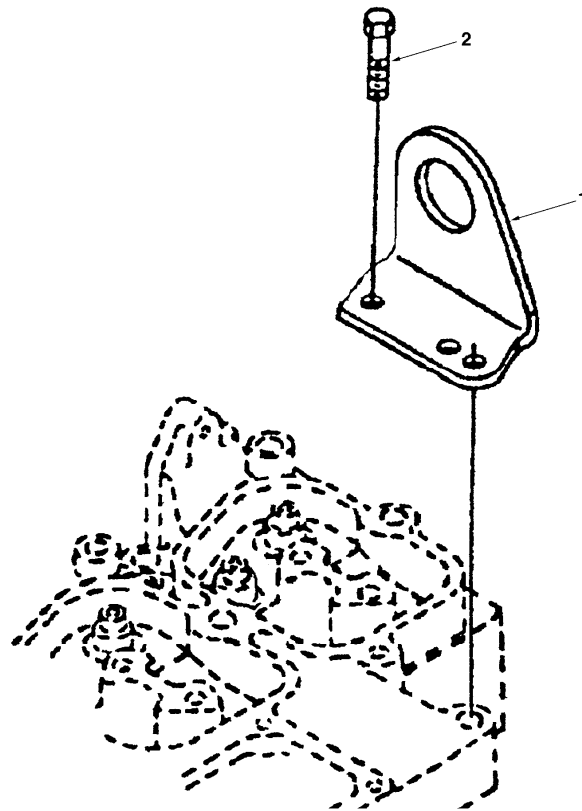
Date: 2013/10/7	Image id: SO107	Catalogue: 56126	Model: EC150 LC
Brand: Volvo	Serial: 3001-9999 -	Group/Section: 212/400	Title: Noise panel



Volvo Construction
Equipment
SO107

Pos	Part	Q1	Q2	Q3	Q4	Q5	PS	Kit	Description	Option(s)	Remark
1	SA3929093	1							Plate		

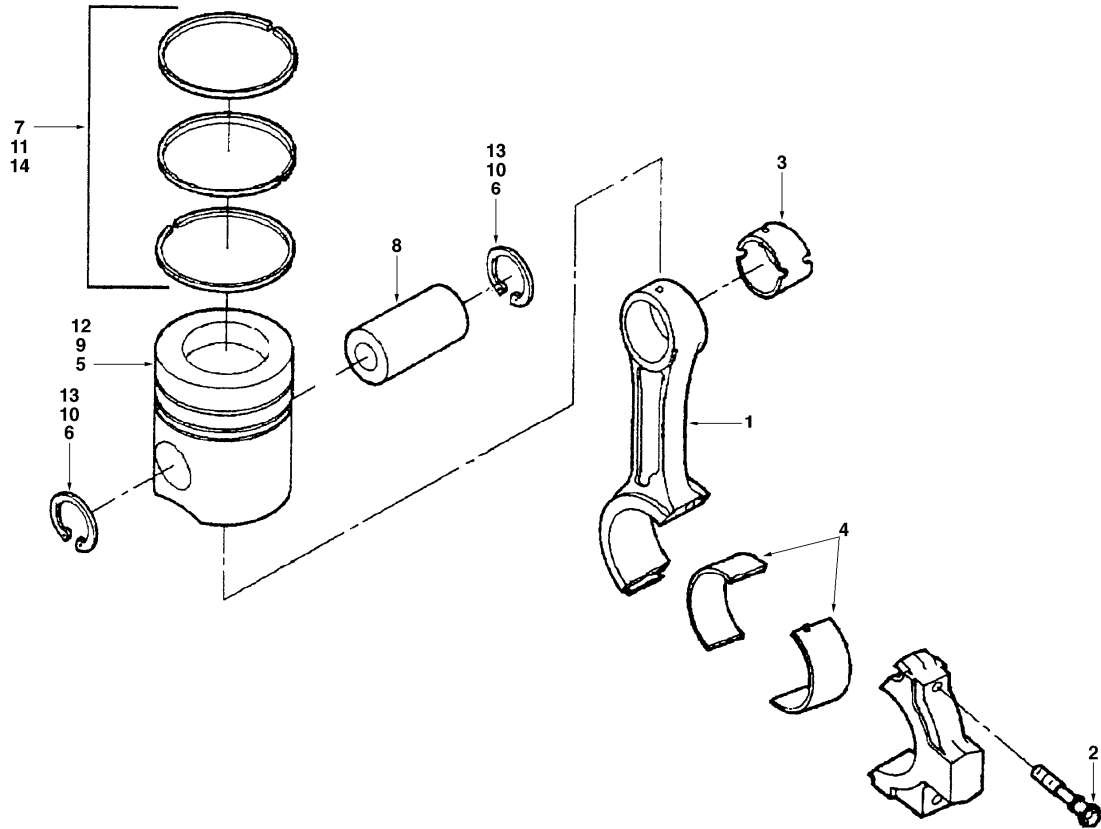
Date: 2013/10/7	Image id: SO108	Catalogue: 56126	Model: EC150 LC
Brand: Volvo	Serial: 3001-9999 -	Group/Section: 212/500	Title: Lifting eye



Volvo Construction
Equipment
SO108

Pos	Part	Q1	Q2	Q3	Q4	Q5	PS	Kit	Description	Option(s)	Remark
1	SA3908118	1							Bracket		
2	SA3910495	2							Bolt		

Date: 2013/10/7	Image id: SO109	Catalogue: 56126	Model: EC150 LC
Brand: Volvo	Serial: 3001-9999 -	Group/Section: 213/100	Title: Connecting rod and piston

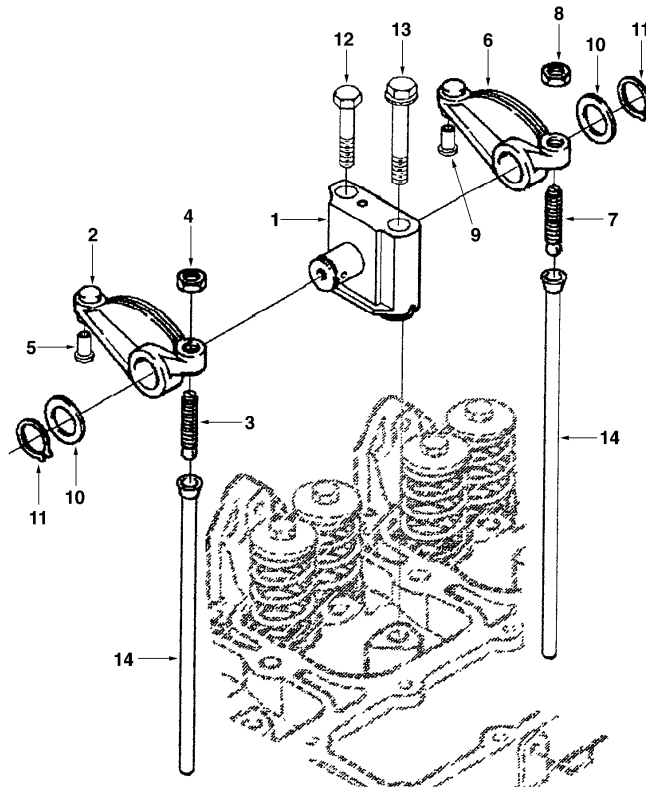


Volvo Construction
Equipment
SO109

Pos	Part	Q1	Q2	Q3	Q4	Q5	PS	Kit	Description	Option(s)	Remark
1	SA3942581	1							Connecting Rod		
2	SA3900919	2							•Screw		
3	SA3941476	1							•Bushing		
4	SA3901170	2							Bearing		
	SA3901171	REQ							Bearing		0.25MM OSZ
	SA3901172	REQ							Bearing		0.50MM OSZ
	SA3901173	REQ							Bearing		0.75MM OSZ
	SA3901174	REQ							Bearing		1.00MM OSZ
5	SA3802747	4							Piston		
6	SA3920691	2							•Ring		SNAP
7	SA3802746	1							•Piston ring kit		PISTON
8	SA3934047	4							Pin		
9	SA3802764	4							Piston		0.50MM OSZ
10	SA3920691	2							•Ring		SNAP
11	SA3802422	1							•Ring		PISTON

12	SA3802765	4							Piston		1.00MM OSZ
13	SA3920691	2							•Ring		SNAP
14	SA3802423	1							•Ring		PISTON

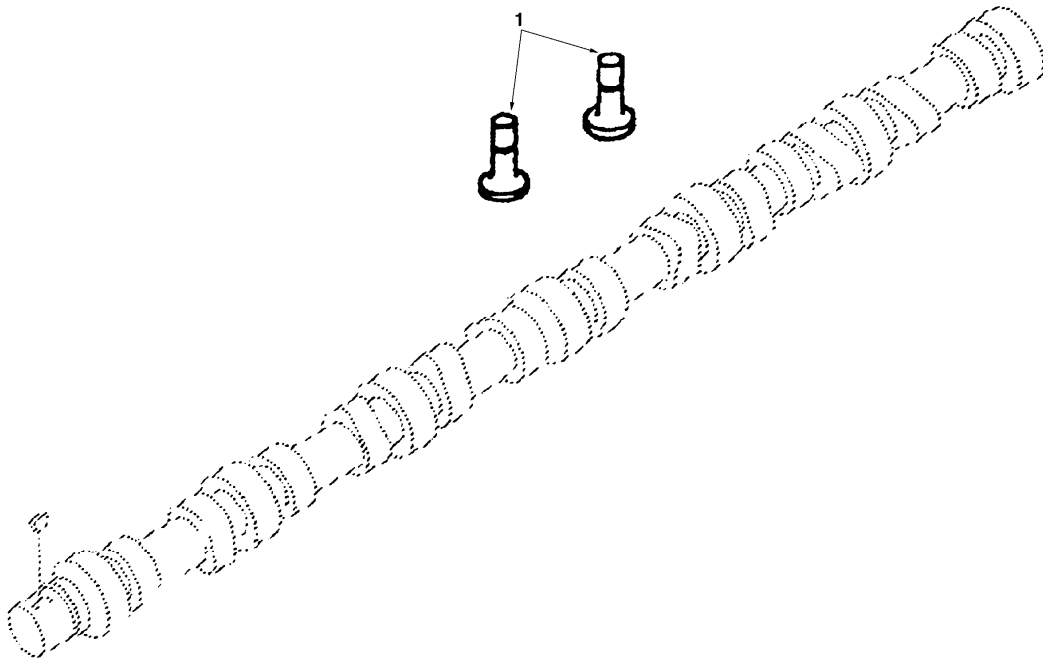
Date: 2013/10/7	Image id: SO110	Catalogue: 56126	Model: EC150 LC
Brand: Volvo	Serial: 3001-9999 -	Group/Section: 214/200	Title: Rocker arm



Volvo Construction
Equipment
SO110

Pos	Part	Q1	Q2	Q3	Q4	Q5	PS	Kit	Description	Option(s)	Remark
1	SA3922488	4							Support		
2	SA3910811	4							Rocker Arm		
3	SA3934086	1							•Screw		
4	SA3927692	1							•Nut		
5	SA3900705	1					NS		•Insert		
6	SA3910810	4							Rocker Arm		
7	SA3934086	1							•Screw		
8	SA3927692	1							•Nut		
9	SA3900705	1					NS		•Insert		
10	SA3900245	8							Washer		
11	SA3900242	8							Ring		
12	SA3901221	4							Bolt		
13	SA3920781	4							Bolt		
14	SA3284377	8							Bar		

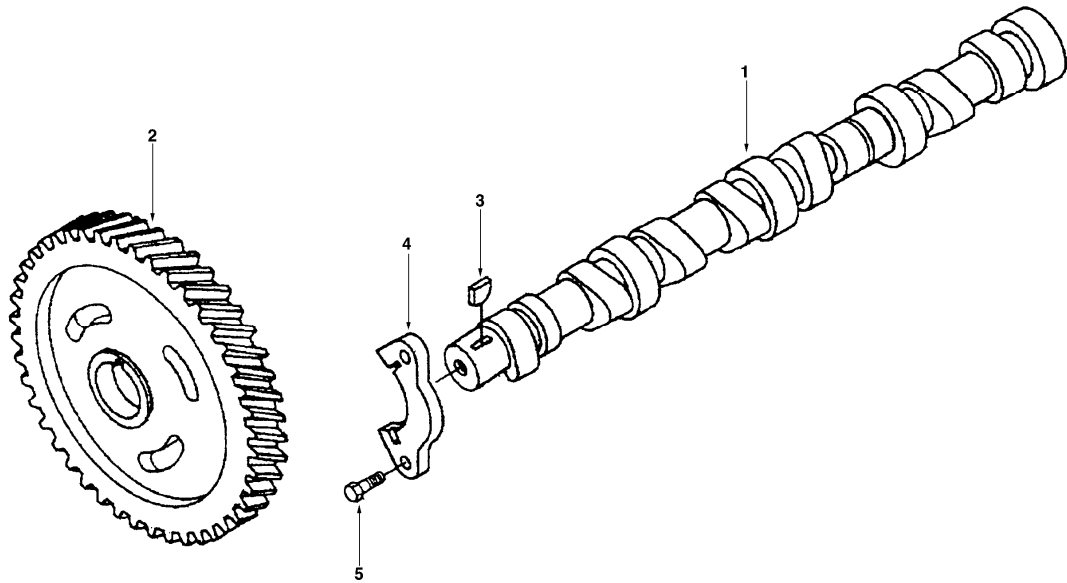
Date: 2013/10/7	Image id: SO111	Catalogue: 56126	Model: EC150 LC
Brand: Volvo	Serial: 3001-9999 -	Group/Section: 214/300	Title: Valve tappet



Volvo Construction
Equipment
SO111

Pos	Part	Q1	Q2	Q3	Q4	Q5	PS	Kit	Description	Option(s)	Remark
1	SA3931623	8							Tappet		

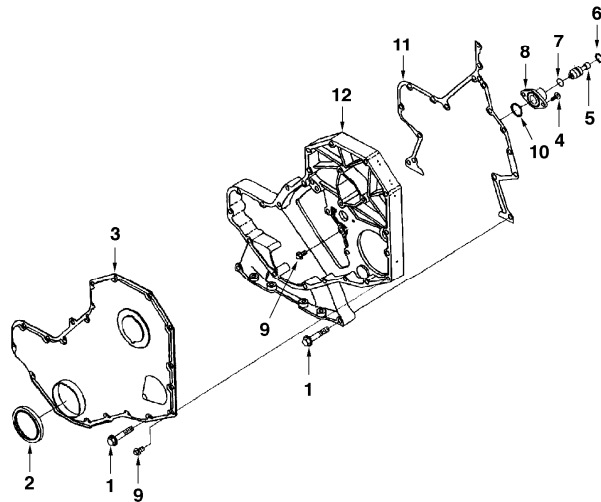
Date: 2013/10/7	Image id: SO112	Catalogue: 56126	Model: EC150 LC
Brand: Volvo	Serial: 3001-9999 -	Group/Section: 215/100	Title: Camshaft



Volvo Construction
Equipment
SO112

Pos	Part	Q1	Q2	Q3	Q4	Q5	PS	Kit	Description	Option(s)	Remark
1	SA3929885	1							Camshaft		
2	SA3929028	1							Gear		
3	SA3902332	1							Key		
4	SA3927155	1							Support		
5	SA3900227	2							Screw		

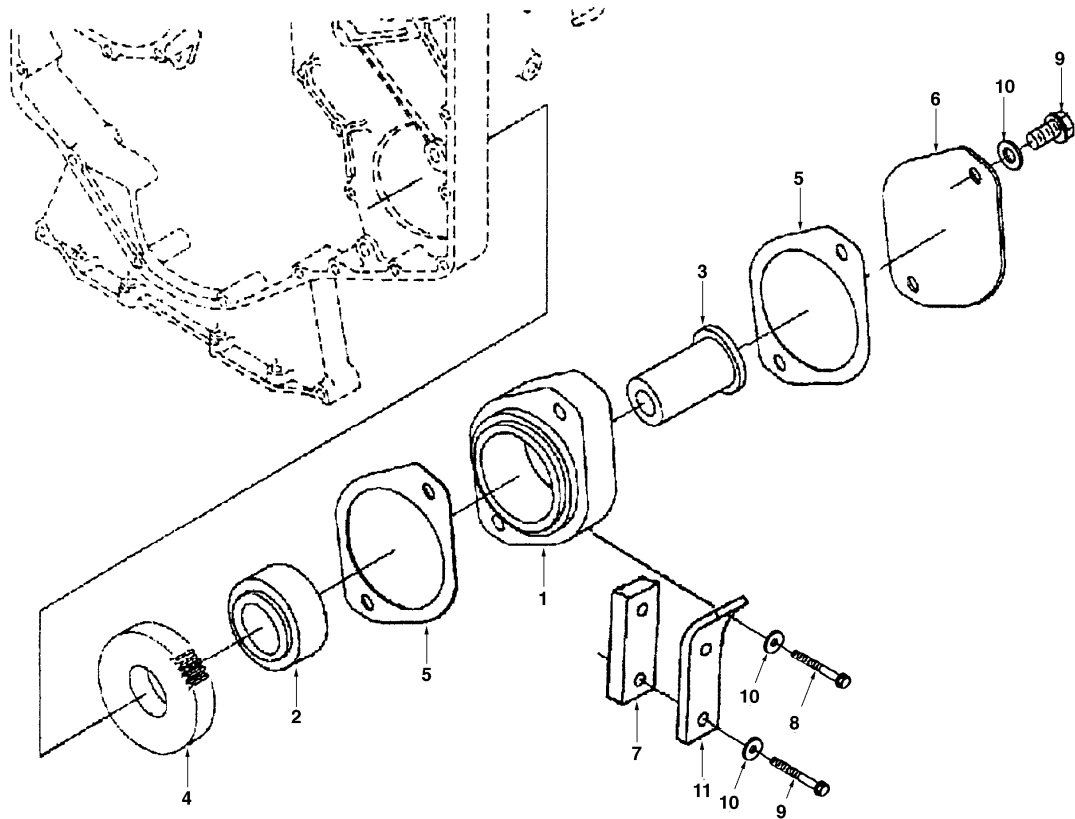
Date: 2013/10/7	Image id: SO113	Catalogue: 56126	Model: EC150 LC
Brand: Volvo	Serial: 3001-9999 -	Group/Section: 215/200	Title: Timing gear casing



Volvo Construction
Equipment
SO113

Pos	Part	Q1	Q2	Q3	Q4	Q5	PS	Kit	Description	Option(s)	Remark
1	SA3900633	11							Screw		
2	SA3935959	1					SS		Seal		
3	SA3935582	1							Cover		
4	SA3907998	2							Screw		
5	SA3903924	1							Pin		
6	SA3904849	1							Ring		
7	SA3913994	1							Seal		
8	SA3919683	1							Cover		
9	SA3924962	16							Screw		
10	SA3915772	1					SS		Seal		
11	SA3931351	1							Gasket		
12	SA3936257	1							Cover		

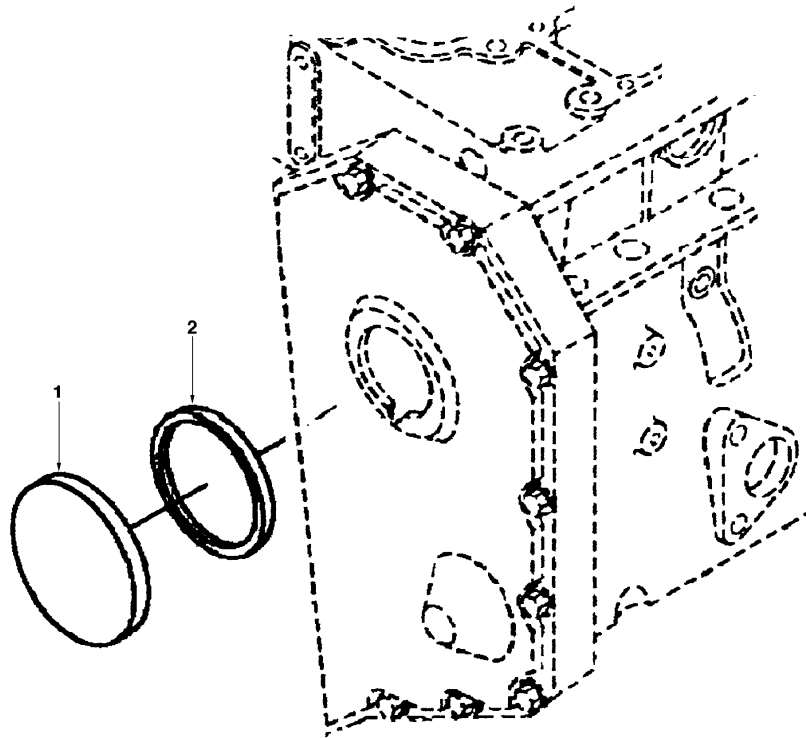
Date: 2013/10/7	Image id: SO114A	Catalogue: 56126	Model: EC150 LC
Brand: Volvo	Serial: 3001-9999 -	Group/Section: 215/300	Title: Pump drive power take-off



Volvo Construction
Equipment
SO114A

Pos	Part	Q1	Q2	Q3	Q4	Q5	PS	Kit	Description	Option(s)	Remark
1	SA3923319	1					SS		Drive Unit		
	SA3923237	1							•Adapter		
2	SA3902601	1							•Roller Bearing		
3	SA3923242	1							•Shaft		
4	SA3928860	1					SS		•Gear		
5	SA3008400	2							Gasket		
6	SA3914868	1							Plate		
7	SA1112-00550	1							Plate		
8	SA9011-11205	1							Bolt		
9	SA9011-21213	4							Bolt		
10	SA9211-12000	5							Washer		
11	SA3931825	1							Brace		

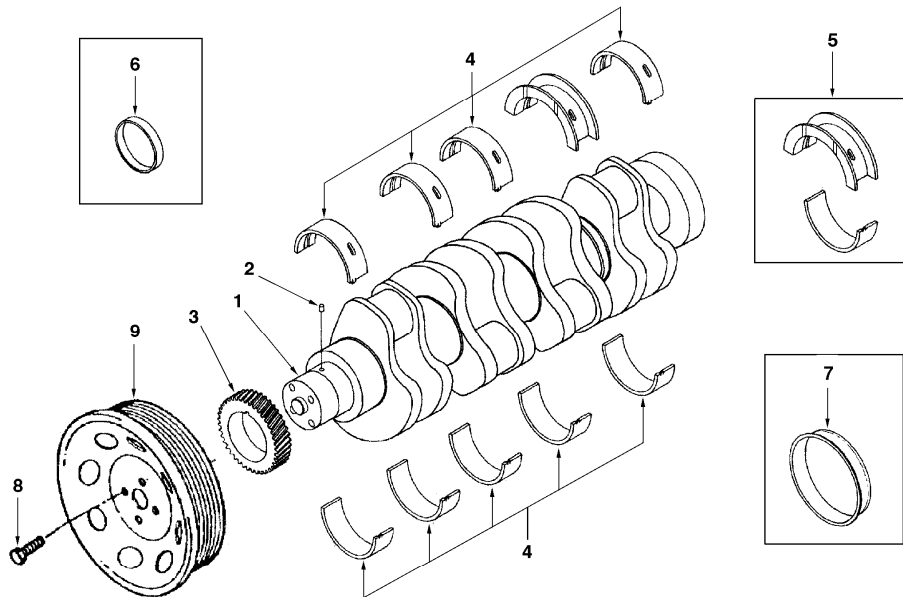
Date: 2013/10/7	Image id: SO115	Catalogue: 56126	Model: EC150 LC
Brand: Volvo	Serial: 3001-9999 -	Group/Section: 215/500	Title: Tachometer drive cover



Volvo Construction
Equipment
SO115

Pos	Part	Q1	Q2	Q3	Q4	Q5	PS	Kit	Description	Option(s)	Remark
1	SA3903463	1							Cover		
2	SA3903475	1					SS		Seal		

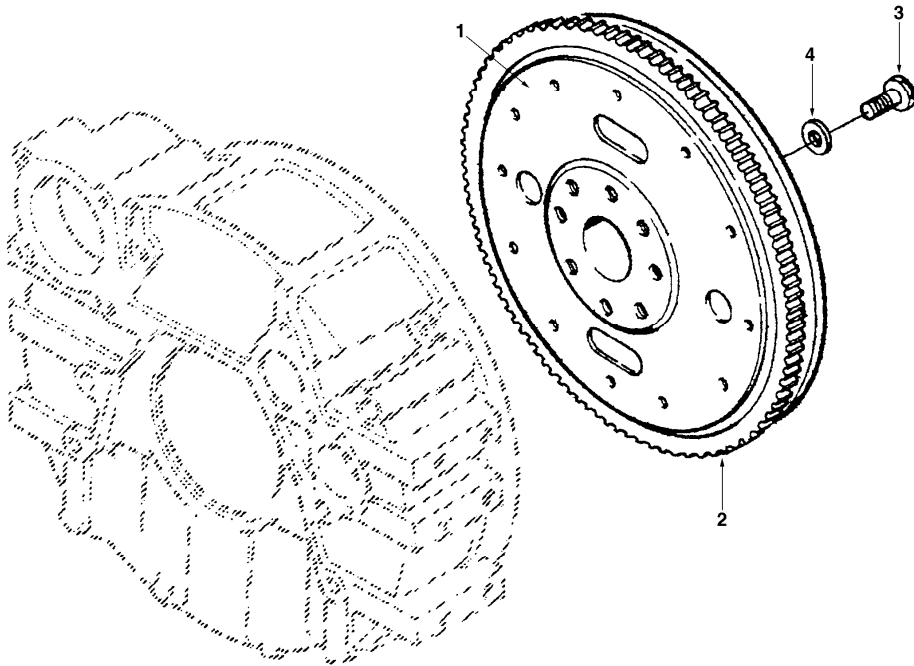
Date: 2013/10/7	Image id: SO116A	Catalogue: 56126	Model: EC150 LC
Brand: Volvo	Serial: 3001-9999 -	Group/Section: 216/100	Title: Crankshaft



Volvo Construction
Equipment
SO116A

Pos	Part	Q1	Q2	Q3	Q4	Q5	PS	Kit	Description	Option(s)	Remark
1	SA3908031	1							Crankshaft		
2	SA3904483	1							•Locating pin		
3	SA3929027	1							•Gear		
4	SA3802010	1							Bearing		SET
	SA3802011	1							Bearing		0.25MM OSZ, SET
	SA3802012	1							Bearing		0.50MM OSZ, SET
	SA3802013	1							Bearing		0.75MM OSZ, SET
	SA3802014	1							Bearing		1.00MM OSZ, SET
5	SA3802082	1					SS		Bearing		0.50MM OSZ, BORE/ THRUST
	SA3800331	1							Bearing		(SA3802084)1.00MM OSZ, BORE/THRUST
6	SA3906080	1					SS		Sleeve		FRONT
7	SA3906081	1					SS		Sleeve		REAR
8	SA3914494	1							Pulley		

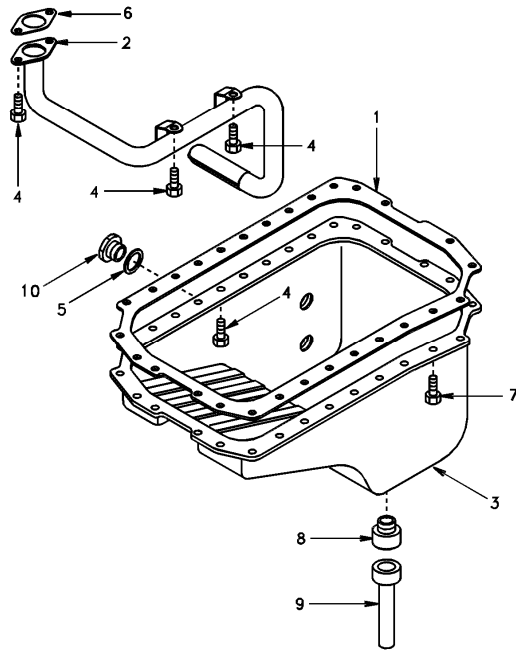
Date: 2013/10/7	Image id: SO117	Catalogue: 56126	Model: EC150 LC
Brand: Volvo	Serial: 3001-9999 -	Group/Section: 216/200	Title: Flywheel



Volvo Construction
Equipment
SO117

Pos	Part	Q1	Q2	Q3	Q4	Q5	PS	Kit	Description	Option(s)	Remark
1	SA3283105	1							Flywheel		
2	SA3901774	1							•Gear		
3	SA3901395	8							Screw		
4	SA3900269	8							Washer		

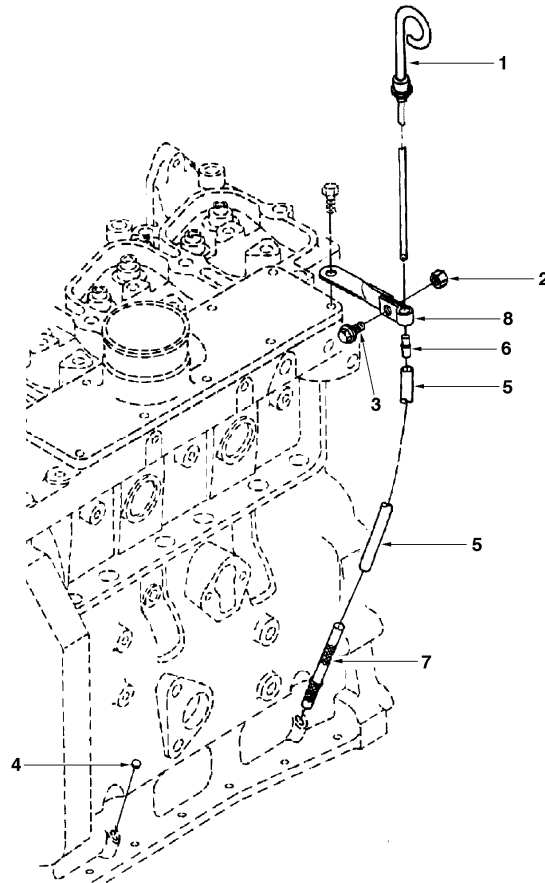
Date: 2013/10/7	Image id: SO118	Catalogue: 56126	Model: EC150 LC
Brand: Volvo	Serial: 3001-9999 -	Group/Section: 217/100	Title: Oil sump



Volvo Construction
Equipment
SO118

Pos	Part	Q1	Q2	Q3	Q4	Q5	PS	Kit	Description	Option(s)	Remark
1	SA3931602	1							Gasket		
2	SA3283530	1							Connector		
3	SA3863222	1							Oil Pan		
4	SA3900630	6							Screw		
5	SA3902425	1							Washer		
6	SA3931349	1							Gasket		
7	SA3907860	28							Screw		
8	SA3283696	1							Valve		
9	SA3282945	1							Adapter		
10	SA3282266	1							Plug		

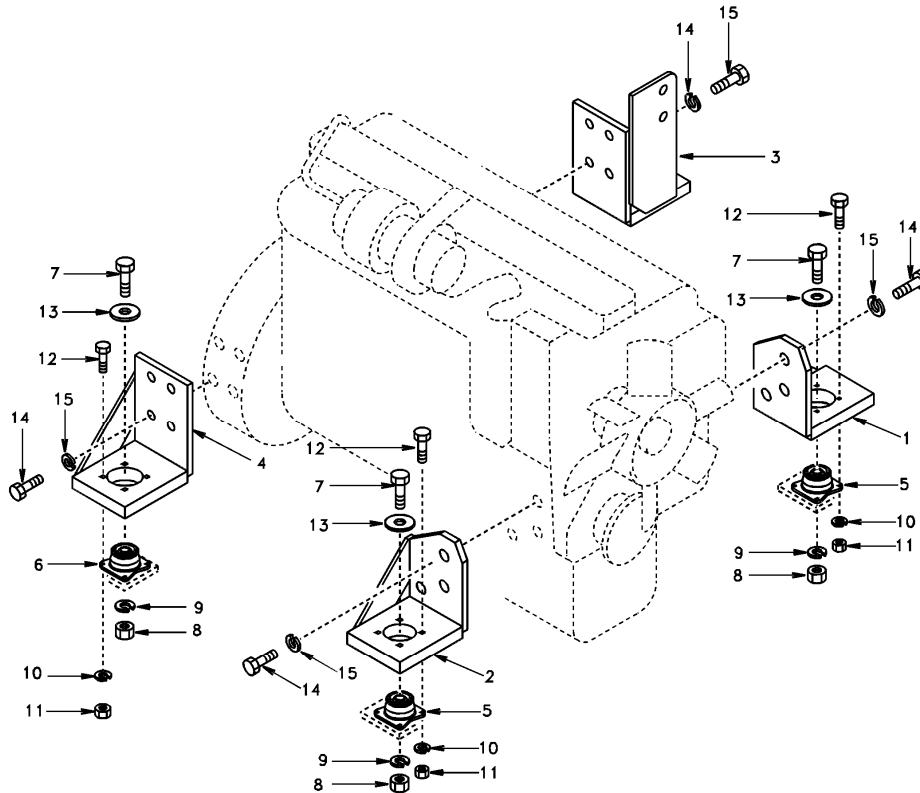
Date: 2013/10/7	Image id: SO119	Catalogue: 56126	Model: EC150 LC
Brand: Volvo	Serial: 3001-9999 -	Group/Section: 217/200	Title: Oil dipstick



Volvo Construction
Equipment
SO119

Pos	Part	Q1	Q2	Q3	Q4	Q5	PS	Kit	Description	Option(s)	Remark
1	SA3932442	1							Dipstick		
2	SA3900240	1							Nut		
3	SA3925883	1							Bolt		
4	SA3900955	2							Plug		
5	SA3917314	1							Pipe		
6	SA3905802	1							End		
7	SA3908308	1							Pipe		
8	SA3920495	1							Brace		

Date: 2013/10/7	Image id: SO120	Catalogue: 56126	Model: EC150 LC
Brand: Volvo	Serial: 3001-9999 -	Group/Section: 218/100	Title: Engine mount



Volvo Construction
Equipment
SO120

Pos	Part	Q1	Q2	Q3	Q4	Q5	PS	Kit	Description	Option(s)	Remark
1	SA1112-00361	1							Bracket		FRONT LH
2	SA1112-00371	1							Bracket		FRONT RH
3	SA1112-00740	1							Bracket		REAR LH
4	SA1112-00750	1							Bracket		REAR RH
5	SA1112-00560	2							Rubber bushing		FRONT
6	SA1112-00330	2							Rubber bushing		REAR
7	SA9011-21619	4					SS		Bolt		SER NO 3001-3172
	VOE980465	4							Hexagon screw		SER NO 3173-
8	SA9131-11600	4							Lock nut		
9	SA9211-16000	4					SS		Washer		
10	SA9213-10000	16					SS		Spring Washer		SER NO 3001-3172
	VOE955923	16							Spring washer		SER NO 3173-
11	SA9111-11000	16					SS		Nut		SER NO 3001-3172
	VOE983304	16							Hexagon nut		SER NO 3173-
12	SA9011-11007	16							Bolt		



Download the full PDF manual instantly.

Our customer service e-mail:

aservicemanualpdf@yahoo.com