

# TM 5-3805-292-23

---

TECHNICAL MANUAL

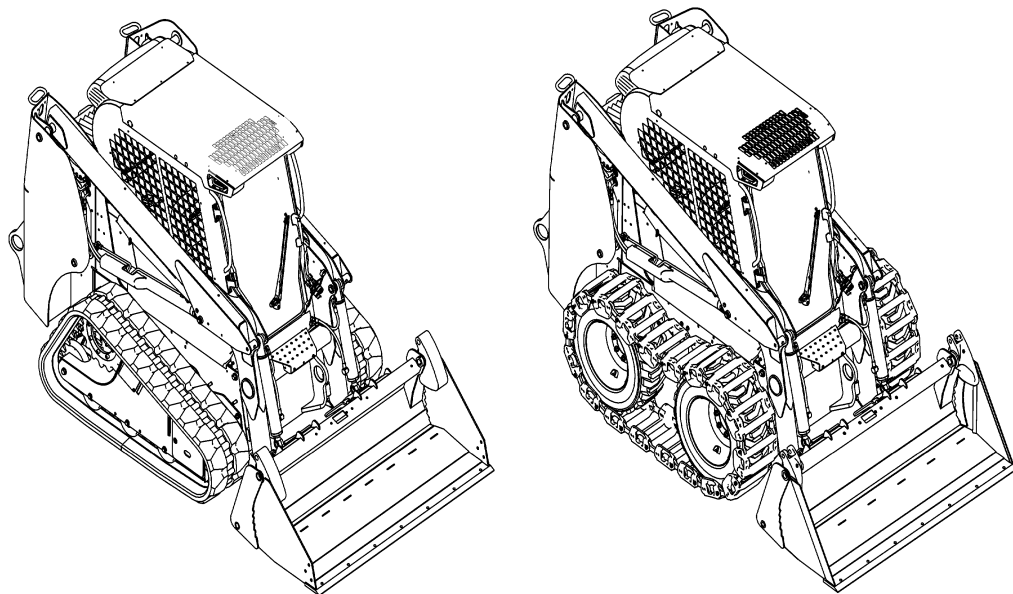
FIELD MAINTENANCE MANUAL

FOR

**HEAVY TYPE II SKID STEER LOADER (M400T)  
(NSN 3805-01-552-4485) (EIC)**

AND

**LIGHT TYPE III SKID STEER LOADER (M400W)  
(NSN 3805-01-552-4487) (EIC)**



DISTRIBUTION STATEMENT A - Approved for public release; distribution is unlimited.

---

**HEADQUARTERS, DEPARTMENT OF THE ARMY**

**JANUARY 2010**

## WARNING SUMMARY

This warning summary contains general safety warnings and hazardous materials warnings that must be understood and applied during operation and maintenance of this equipment. Failure to observe these precautions could result in serious injury or death to personnel. Also included are explanations of safety and hazardous materials icons used within the technical manual.



**BIOLOGICAL** - abstract symbol bug shows that a material may contain bacteria or viruses that present a danger to life or health.



**CHEMICAL** - drop of liquid on hand shows that the material will cause burns or irritation to human skin or tissue.



**EAR PROTECTION** - headphones over ears show that noise level will harm ears.



**ELECTRICAL** - electrical wire to arm with electricity symbol running through human body shows that shock hazard is present.



**EYE PROTECTION** - person with goggles shows that the material will injure the eyes.



**FIRE** - flame shows that a material may ignite and cause burns.



**FLYING PARTICLES** - arrows bouncing off face with face shield show that particles flying through the air will harm face.



**HEAVY OBJECT** - human figure stooping over heavy object shows physical injury potential from improper lifting techniques.

**TABLE OF CONTENTS**

	<u>Page No.</u>	<u>WP Sequence No.</u>
<b>Chapter 1 - GENERAL INFORMATION, EQUIPMENT DESCRIPTION, AND THEORY OF OPERATION</b>		
General Information. . . . .		WP 0001
Equipment Description and Data. . . . .		WP 0002
Figure 1. M400T Right-Front 3/4 View. . . . .	0002-2	
Figure 2. M400W Right-Front 3/4 View. . . . .	0002-3	
Figure 3. Rear View. . . . .	0002-4	
Figure 4. Engine Compartment. . . . .	0002-5	
Figure 5. NATO Slave Receptacle and Horn. . . . .	0002-6	
Figure 6. Battery Access Cover. . . . .	0002-7	
Figure 7. Coupler. . . . .	0002-7	
Figure 8. Multi-Purpose Bucket. . . . .	0002-8	
Figure 9. Pallet Fork. . . . .	0002-8	
Figure 10. Auger. . . . .	0002-9	
Figure 11. Hammer Attachments. . . . .	0002-10	
Figure 12. Attachment Container. . . . .	0002-11	
Theory of Operation . . . . .		WP 0003
Figure 1. Engine and Hydrostatic Drive. . . . .	0003-2	
Figure 2. Powertrain of M400T (Top) and M400W (Bottom). . . . .	0003-3	
Figure 3. Cooling System. . . . .	0003-4	
Figure 4. Air Intake and Exhaust System. . . . .	0003-5	
Figure 5. Hydraulic System. . . . .	0003-6	
Figure 6. ISO Pattern Pilot Travel Control System. . . . .	0003-7	
Figure 7. HVAC. . . . .	0003-9	
<b>Chapter 2 - TROUBLESHOOTING PROCEDURES</b>		
Troubleshooting Symptom Index. . . . .		WP 0004
Troubleshooting Introduction. . . . .		WP 0005
Troubleshooting Procedures. . . . .		WP 0006
Operational Checkout . . . . .		WP 0007
Figure 1. Fuel Injection Pump Supply. . . . .	0007-3	
Figure 2. Fuel Tank. . . . .	0007-3	
Figure 3. Checking For Air In System. . . . .	0007-4	
Figure 4. Fuel Pump Supply. . . . .	0007-5	
Figure 5. Seat Switch. . . . .	0007-8	
Figure 6. Door Switch. . . . .	0007-8	
Figure 7. Anti-Stall Control Cartridge. . . . .	0007-9	
Figure 8. Ground Drive Controller. . . . .	0007-11	
Figure 9. Charge Pressure Test Port. . . . .	0007-12	
Figure 10. Seat Switch. . . . .	0007-14	
Figure 11. Door Switch. . . . .	0007-15	
Figure 12. Circuit Relief Valve Test Ports (View from Left Side). . . . .	0007-15	
Figure 13. Bypassing Pilot Lines. . . . .	0007-17	
Figure 14. Seat Switch. . . . .	0007-17	
Figure 15. Door Switch. . . . .	0007-18	
Figure 16. Pilot Servo Control Adjustment Screws. . . . .	0007-19	
Figure 17. Bypassing Pilot Lines. . . . .	0007-19	

**TABLE OF CONTENTS - CONTINUED**

	<u>Page No.</u>	<u>WP Sequence No.</u>
Figure 18. Bypassing Pilot Lines. ....	.0007-20	
Figure 19. Door Switch. ....	.0007-20	
Figure 20. Pilot Servo Control Adjustment Screws. ....	.0007-21	
Figure 21. Flowmeter Connections. ....	.0007-22	
Figure 22. Access Cover for Adjustment Screw. ....	.0007-23	
Figure 23. Loader Main Relief Valve. ....	.0007-24	
Figure 24. Flowmeter Connections. ....	.0007-25	
Figure 25. Pilot Pressure Test Point. ....	.0007-28	
Figure 26. Seat Switch. ....	.0007-29	
Figure 27. Door Switch. ....	.0007-29	
Figure 28. Measure Check Sheet. ....	.0007-30	
 <b>Chapter 3 - PMCS MAINTENANCE INSTRUCTIONS</b>		
Preventive Maintenance Checks and Services (PMCS) Introduction .....		WP 0008
Preventive Maintenance Checks and Services (PMCS) .....		WP 0009
Figure 1. Auger. ....	.0009-3	
Figure 2. Final Drive Motor. ....	.0009-7	
Figure 3. Chain Tank Service. ....	.0009-8	
Figure 4. Final Drive Motor. ....	.0009-9	
Figure 5. Final Drive Motor. ....	.0009-13	
Figure 6. Hydraulic Fluid Service. ....	.0009-15	
Figure 7. Fuel Tank Drain Plug. ....	.0009-17	
Figure 8. Chain Tank Service. ....	.0009-19	
 <b>Chapter 4 - MAINTENANCE INSTRUCTIONS</b>		
Service Upon Receipt .....		WP 0010
Alternator Replacement .....		WP 0011
Figure 1. Alternator Rear View. ....	.0011-1	
Figure 2. Alternator Front View. ....	.0011-2	
Figure 3. Engine Oil Cooler Pipe. ....	.0011-3	
Figure 4. Mounting Bracket Assembly. ....	.0011-4	
Figure 5. Alternator. ....	.0011-5	
Figure 6. Mounting Bracket Assembly. ....	.0011-6	
Figure 7. Engine Oil Cooler Pipe. ....	.0011-7	
Figure 8. Alternator Front View. ....	.0011-8	
Figure 9. Alternator Rear View. ....	.0011-9	
A/C Compressor Replacement .....		WP 0012
Figure 1. A/C Lines. ....	.0012-2	
Figure 2. A/C Compressor and Bracket. ....	.0012-3	
Figure 3. A/C Compressor Mounting Bracket. ....	.0012-4	
Figure 4. A/C Compressor and Bracket. ....	.0012-5	
Figure 5. A/C Lines. ....	.0012-6	
Coolant Recovery Bottle Replacement .....		WP 0013
Figure 1. Rear Access Doors. ....	.0013-1	
Figure 2. Coolant Recovery Bottle. ....	.0013-2	
Figure 3. Rear Access Doors. ....	.0013-4	
Engine Mounts Replacement .....		WP 0014

**TABLE OF CONTENTS - CONTINUED**

	<u>Page No.</u>	<u>WP Sequence No.</u>
Figure 1. Engine Mounts. ....	.0014-2	
Fan, Pulley, and Shroud Replacement .....		WP 0015
Figure 1. Guard, Shroud, and Fan. ....	.0015-3	
Figure 2. Pulley. ....	.0015-4	
Figure 3. Guard, Shroud, and Fan. ....	.0015-7	
Inline Fuel Filter Replacement .....		WP 0016
Figure 1. Inline Fuel Filter. ....	.0016-2	
Figure 2. Inline Fuel Filter. ....	.0016-4	
Fuel Lines Replacement .....		WP 0017
Figure 1. Fuel Lines. ....	.0017-2	
Figure 2. Fuel Lines. ....	.0017-3	
Figure 3. Fuel Lines. ....	.0017-4	
Figure 4. Fuel Lines. ....	.0017-5	
Muffler And Pipes Replacement .....		WP 0018
Figure 1. Exhaust Metal Hose and Muffler. ....	.0018-2	
Figure 2. Tail Pipe and Muffler. ....	.0018-3	
Figure 3. Tail Pipe and Muffler. ....	.0018-4	
Figure 4. Exhaust Pipe and Muffler. ....	.0018-5	
Radiator Hoses Replacement .....		WP 0019
Figure 1. Radiator Hoses (Engine Shown Removed for Clarity). ....	.0019-2	
Starter Replacement .....		WP 0020
Figure 1. Starter. ....	.0020-2	
Figure 2. Solenoid Cable. ....	.0020-3	
Figure 3. Solenoid Cable. ....	.0020-4	
Figure 4. Starter. ....	.0020-5	
Engine Assembly Replacement .....		WP 0021
Figure 1. Engine Hose and Electrical Connections. ....	.0021-2	
Figure 2. Engine Oil Check Tube. ....	.0021-3	
Figure 3. Heater Hose. ....	.0021-3	
Figure 4. Inline Fuel Filter and Hose. ....	.0021-4	
Figure 5. Hoses and Throttle Linkage. ....	.0021-4	
Figure 6. Front Engine Mount. ....	.0021-5	
Figure 7. Front Engine Mounting Bracket. ....	.0021-6	
Figure 8. Rear Engine Mounts. ....	.0021-7	
Figure 9. Engine Stand Bracket. ....	.0021-8	
Figure 10. Engine Stand Bracket. ....	.0021-9	
Figure 11. Rear Engine Mounts. ....	.0021-10	
Figure 12. Engine Mounting Bracket. ....	.0021-11	
Figure 13. Engine Mount. ....	.0021-11	
Figure 14. Hoses and Throttle Linkage. ....	.0021-12	
Figure 15. Inline Fuel Filter and Hose. ....	.0021-12	
Figure 16. Heater Hose. ....	.0021-13	
Figure 17. Engine Hose and Electrical Connections. ....	.0021-14	
Engine Block Plug and Nozzles Replacement .....		WP 0022
Figure 1. Turbocharger and Lines. ....	.0022-1	

**TABLE OF CONTENTS - CONTINUED**

	<u>Page No.</u>	<u>WP Sequence No.</u>
Figure 2. Engine Block Plugs. . . . .	.0022-2	
Figure 3. Turbocharger and Lines. . . . .	.0022-4	
Engine Oil Dipstick and Oil Fill Neck Replacement . . . . .		WP 0023
Figure 1. Rear Access Doors. . . . .	.0023-1	
Figure 2. Dipstick. . . . .	.0023-2	
Figure 3. Engine Oil Fill Neck. . . . .	.0023-3	
Figure 4. Engine Oil Fill Neck. . . . .	.0023-5	
Figure 5. Dipstick. . . . .	.0023-6	
Figure 6. Rear Access Doors. . . . .	.0023-7	
Engine Oil Dipstick Tube Replacement . . . . .		WP 0024
Figure 1. Rear Access Doors. . . . .	.0024-1	
Figure 2. Dipstick Tube Bracket. . . . .	.0024-2	
Figure 3. Dipstick Tube Tiedown Strap. . . . .	.0024-2	
Figure 4. Dipstick Tube and Clamp. . . . .	.0024-3	
Figure 5. Dipstick Tube and Clamp. . . . .	.0024-4	
Figure 6. Dipstick Tube Tiedown Strap. . . . .	.0024-4	
Figure 7. Dipstick Tube Bracket. . . . .	.0024-5	
Figure 8. Rear Access Doors. . . . .	.0024-6	
Clutch Replacement . . . . .		WP 0025
Figure 1. Clutch Pack. . . . .	.0025-1	
Figure 2. Clutch Pack. . . . .	.0025-2	
Engine Oil Service . . . . .		WP 0026
Figure 1. Cover. . . . .	.0026-1	
Figure 2. Engine Oil Drain. . . . .	.0026-2	
Figure 3. Access Cover. . . . .	.0026-3	
Figure 4. Engine Oil Filter. . . . .	.0026-3	
Figure 5. Engine Oil Filter. . . . .	.0026-5	
Figure 6. Access Cover. . . . .	.0026-5	
Figure 7. Engine Oil Drain. . . . .	.0026-6	
Figure 8. Cover. . . . .	.0026-6	
Figure 9. Oil Fill and Dipstick. . . . .	.0026-7	
Crankshaft Pulley Replacement . . . . .		WP 0027
Figure 1. Engine Timing Pin. . . . .	.0027-1	
Figure 2. Crankshaft Pulley. . . . .	.0027-2	
Figure 3. Alignment Pin/Crankshaft Pulley. . . . .	.0027-3	
Figure 4. Engine Timing Pin. . . . .	.0027-4	
Engine Breather Replacement . . . . .		WP 0028
Figure 1. Engine Breather. . . . .	.0028-2	
Engine Air Duct Heater Replacement . . . . .		WP 0029
Figure 1. Engine Air Duct. . . . .	.0029-2	
Engine Oil Cooler and Piping Replacement . . . . .		WP 0030
Figure 1. Heater Hose Supply. . . . .	.0030-2	
Figure 2. Turbocharger Oil Return Pipe. . . . .	.0030-2	
Figure 3. Engine Oil Cooler. . . . .	.0030-3	

**TABLE OF CONTENTS - CONTINUED**

	<u>Page No.</u>	<u>WP Sequence No.</u>
Figure 4. Fitting. . . . .	0030-4	
Figure 5. Cooler and Housing Assembly. . . . .	0030-5	
Figure 6. Turbocharger Oil Return Pipe. . . . .	0030-6	
Figure 7. Heater Hose Supply. . . . .	0030-7	
Engine Oil Filter Base Replacement . . . . .		WP 0031
Figure 1. Engine Oil Filter Base. . . . .	0031-2	
Figure 2. Engine Oil Filter Base. . . . .	0031-3	
Figure 3. Engine Oil Filter Base. . . . .	0031-5	
Engine Oil Filter Replacement . . . . .		WP 0032
Figure 1. Access Cover. . . . .	0032-2	
Figure 2. Engine Oil Filter. . . . .	0032-2	
Engine Oil Pan Replacement . . . . .		WP 0033
Figure 1. Oil Pan. . . . .	0033-3	
Figure 2. Oil Pan. . . . .	0033-5	
Engine Oil Pump Replacement . . . . .		WP 0034
Figure 1. Oil Pump Tube. . . . .	0034-2	
Figure 2. Oil Pump. . . . .	0034-3	
Figure 3. Oil Pump. . . . .	0034-4	
Figure 4. Oil Pump Piping. . . . .	0034-5	
Exhaust Manifold Replacement . . . . .		WP 0035
Figure 1. Exhaust Manifold. . . . .	0035-2	
Flywheel Replacement . . . . .		WP 0036
Figure 1. Adapter Plate. . . . .	0036-2	
Figure 2. Engine Turning Tool. . . . .	0036-2	
Figure 3. Turning Engine. . . . .	0036-3	
Figure 4. Timing Pin. . . . .	0036-3	
Figure 5. Clutch Pack. . . . .	0036-4	
Figure 6. Flywheel. . . . .	0036-5	
Figure 7. Crankshaft Alignment Hole. . . . .	0036-7	
Figure 8. Flywheel. . . . .	0036-8	
Figure 9. Clutch Pack. . . . .	0036-9	
Figure 10. Timing Pin. . . . .	0036-10	
Figure 11. Engine Turning Tool. . . . .	0036-10	
Figure 12. Adapter Plate. . . . .	0036-11	
Flywheel Housing Replacement . . . . .		WP 0037
Figure 1. Clamps. . . . .	0037-2	
Figure 2. Oil Pan Bolts. . . . .	0037-2	
Figure 3. Flywheel Housing. . . . .	0037-3	
Figure 4. Flywheel Housing. . . . .	0037-4	
Figure 5. Flywheel Housing. . . . .	0037-6	
Figure 6. Flywheel Housing. . . . .	0037-7	
Figure 7. Oil Pan Bolts. . . . .	0037-8	
Figure 8. Clamps. . . . .	0037-8	
Engine Front Cover and Front Main Seal Replacement . . . . .		WP 0038
Figure 1. Fan Pulley. . . . .	0038-2	

**TABLE OF CONTENTS - CONTINUED**

	<u>Page No.</u>	<u>WP Sequence No.</u>
Figure 2. Front Cover. ....	0038-3	
Figure 3. Front Cover. ....	0038-5	
Figure 4. Fan Pulley. ....	0038-5	
Front Housing Replacement .....		WP 0039
Figure 1. Engine at TDC. ....	0039-1	
Figure 2. Flywheel at TDC. ....	0039-2	
Figure 3. Pinning Fuel Injection Pump Shaft. ....	0039-2	
Figure 4. Camshaft Gear and Fuel Injection Pump Gear. ....	0039-3	
Figure 5. Removal Tool. ....	0039-3	
Figure 6. Flanged Nuts. ....	0039-4	
Figure 7. Front Housing. ....	0039-4	
Figure 8. Front Housing Sealant. ....	0039-5	
Figure 9. Front Housing. ....	0039-6	
Figure 10. Flanged Nuts. ....	0039-6	
Figure 11. Aligning Crankshaft Gear. ....	0039-7	
Figure 12. Camshaft Gear and Injection Fuel Pump Gear. ....	0039-7	
Figure 13. Pinning Fuel Injection Pump Shaft. ....	0039-8	
Figure 14. Fuel Injection Pump Gear Nut. ....	0039-8	
Figure 15. Flywheel at TDC. ....	0039-9	
Fuel Filter Head Replacement .....		WP 0040
Figure 1. Fuel Filter Head. ....	0040-2	
Fuel Filter Element Replacement .....		WP 0041
Figure 1. Access Cover. ....	0041-1	
Figure 2. Fuel Filter Element. ....	0041-2	
Figure 3. Access Cover. ....	0041-4	
Fuel Injection Lines Replacement .....		WP 0042
Figure 1. Fuel Tank. ....	0042-2	
Figure 2. Hose. ....	0042-3	
Figure 3. Fuel Injection Tube Assembly. ....	0042-4	
Figure 4. Fuel Return Pipe. ....	0042-5	
Figure 5. Fuel Return Pipe. ....	0042-6	
Figure 6. Fuel Injection Tube Assembly. ....	0042-7	
Figure 7. Hose. ....	0042-8	
Figure 8. Fuel Tank. ....	0042-9	
Fuel Injector Replacement .....		WP 0043
Figure 1. Fuel Injector. ....	0043-2	
Figure 2. Fuel Injectors. ....	0043-3	
Fuel Injection Pump Replacement .....		WP 0044
Figure 1. Fuel Injection Pump. ....	0044-2	
Figure 2. Actuator-to-Engine Throttle Linkage (Rear). ....	0044-3	
Figure 3. Front Cover. ....	0044-4	
Figure 4. Fuel Injection Pump. ....	0044-5	
Figure 5. Fuel Injection Pump. ....	0044-7	
Figure 6. Front Cover. ....	0044-8	
Figure 7. Actuator-to-Engine Throttle Linkage (Rear). ....	0044-9	



**TABLE OF CONTENTS - CONTINUED**

	<u>Page No.</u>	<u>WP Sequence No.</u>
Figure 8. Fuel Injection Pump. ....	0044-10	
Intake Manifold Replacement .....		WP 0045
Figure 1. Manifold. ....	0045-2	
Rear Seal Replacement .....		WP 0046
Figure 1. Rear Seal. ....	0046-2	
Figure 2. Rear Main Oil Seal Installer Base. ....	0046-3	
Figure 3. Rear Main Oil Seal Installation. ....	0046-3	
Thermostat and Housing Replacement .....		WP 0047
Figure 1. Thermostat and Housing. ....	0047-2	
Turbocharger and Lines Replacement .....		WP 0048
Figure 1. Turbocharger and Lines. ....	0048-2	
Valve Covers Replacement .....		WP 0049
Figure 1. Valve Covers. ....	0049-2	
Water Pump Replacement .....		WP 0050
Figure 1. Water Pump (Fan Removed for Clarity). ....	0050-2	
Coolant Temperature Sender Replacement .....		WP 0051
Figure 1. Coolant Temperature Sender. ....	0051-2	
Serpentine and Compressor Drive Belts Replacement .....		WP 0052
Figure 1. Serpentine and Compressor Drive Belts. ....	0052-2	
Cylinder Head Assembly Replacement .....		WP 0053
Figure 1. Heater Hose Return. ....	0053-2	
Figure 2. Engine Harness. ....	0053-3	
Figure 3. Push Rods. ....	0053-4	
Figure 4. Cylinder Head. ....	0053-5	
Figure 5. Cylinder Head. ....	0053-7	
Figure 6. Cylinder Head Torque Sequence. ....	0053-8	
Figure 7. Engine Harness. ....	0053-9	
Figure 8. Heater Hose Return. ....	0053-10	
Figure 9. Push Rods. ....	0053-10	
Fan Support Replacement .....		WP 0054
Figure 1. Fan. ....	0054-1	
Figure 2. Spacer. ....	0054-2	
Figure 3. Pulley. ....	0054-2	
Figure 4. Fan Support. ....	0054-3	
Figure 5. Fan Support. ....	0054-5	
Figure 6. Pulley. ....	0054-6	
Figure 7. Spacer. ....	0054-6	
Figure 8. Fan. ....	0054-7	
Rocker Unit Maintenance .....		WP 0055
Figure 1. Air Duct Heater Bracket. ....	0055-1	
Figure 2. Assembled A/C Compressor and Mounting Bracket. ....	0055-2	
Figure 3. Housing Removal. ....	0055-3	
Figure 4. Housing Disassembly. ....	0055-4	
Figure 5. Housing Assembly. ....	0055-6	

**TABLE OF CONTENTS - CONTINUED**

	<u>Page No.</u>	<u>WP Sequence No.</u>
Figure 6. Housing Installation. . . . .	.0055-7	
Figure 7. Assembled A/C Compressor and Mounting Bracket. . . . .	.0055-8	
Figure 8. Air Duct Heater Bracket. . . . .	.0055-8	
Valve Lash Adjustment . . . . .		WP 0056
Figure 1. Adjusting Valve Lash. . . . .	.0056-3	
Finding Top-Dead-Center (TDC) . . . . .		WP 0057
Figure 1. Adapter Plate. . . . .	.0057-1	
Figure 2. Engine Turning Tool. . . . .	.0057-2	
Figure 3. Turning Engine. . . . .	.0057-2	
Figure 4. Timing Pin. . . . .	.0057-3	
Figure 5. Cover Plate. . . . .	.0057-4	
Figure 6. Turning Engine. . . . .	.0057-4	
Figure 7. Adapter Plate. . . . .	.0057-5	
Figure 8. Engine Turning Tool. . . . .	.0057-5	
Air Cleaner and Hoses Maintenance . . . . .		WP 0058
Figure 1. Air Restriction Switch. . . . .	.0058-2	
Figure 2. Relief Valve. . . . .	.0058-2	
Figure 3. Air Cleaner and Hoses Removal. . . . .	.0058-3	
Figure 4. Air Cleaner and Hoses Disassembly. . . . .	.0058-4	
Figure 5. Air Cleaner Cover. . . . .	.0058-5	
Figure 6. Primary Element. . . . .	.0058-5	
Figure 7. Secondary Element. . . . .	.0058-6	
Figure 8. Secondary Element. . . . .	.0058-7	
Figure 9. Primary Element. . . . .	.0058-7	
Figure 10. Air Cleaner Cover. . . . .	.0058-8	
Figure 11. Air Cleaner and Hoses Assembly. . . . .	.0058-9	
Figure 12. Figure 13. Air Restriction Switch. . . . .	.0058-10	
Radiator and Cooler Module Maintenance . . . . .		WP 0059
Figure 1. Module. . . . .	.0059-2	
Figure 2. Hose and Clamp. . . . .	.0059-3	
Figure 3. Module. . . . .	.0059-4	
Figure 4. Hose and Clamp. . . . .	.0059-6	
Figure 5. Module. . . . .	.0059-7	
Cooling System Service . . . . .		WP 0060
Figure 1. Cooling System Maintenance. . . . .	.0060-2	
Figure 2. Coolant Level. . . . .	.0060-3	
Chain Replacement . . . . .		WP 0061
Figure 1. Chain Tank Cover. . . . .	.0061-2	
Figure 2. Chains. . . . .	.0061-3	
Figure 3. Chains. . . . .	.0061-4	
Figure 4. Chain Tank Cover. . . . .	.0061-5	
Chain Tank Service . . . . .		WP 0062
Figure 1. Drain Plugs. . . . .	.0062-2	
Figure 2. Fill Plugs. . . . .	.0062-3	
Powertrain Lines and Fittings Replacement . . . . .		WP 0063

**TABLE OF CONTENTS - CONTINUED**

	<u>Page No.</u>	<u>WP Sequence No.</u>
Figure 1. Powertrain Lines and Fittings. ....	0063-3	
Figure 2. Powertrain Lines and Fittings. ....	0063-5	
Sprocket Replacement . . . . .		WP 0064
Figure 1. Sprockets. ....	0064-2	
Return Oil Manifold Replacement . . . . .		WP 0065
Figure 1. Access Panel. ....	0065-2	
Figure 2. Return Oil Manifold. ....	0065-3	
Figure 3. Return Oil Manifold. ....	0065-4	
Figure 4. Access Panel. ....	0065-4	
LH Hydraulic Drive Motor Replacement . . . . .		WP 0066
Figure 1. Hydraulic Drive Motor. ....	0066-1	
Figure 2. Return Oil Manifold. ....	0066-2	
Figure 3. Hydraulic Drive Motor. ....	0066-3	
Figure 4. Hydraulic Drive Motor. ....	0066-5	
Figure 5. Return Oil Manifold. ....	0066-5	
RH Hydraulic Drive Motor Replacement . . . . .		WP 0067
Figure 1. Hydraulic Drive Motor. ....	0067-1	
Figure 2. Return Oil Manifold. ....	0067-2	
Figure 3. Hydraulic Drive Motor and Sprocket. ....	0067-3	
Figure 4. Hydraulic Drive Motor. ....	0067-4	
Figure 5. Return Oil Manifold. ....	0067-5	
Tandem Pump Replacement . . . . .		WP 0068
Figure 1. Tandem Pump. ....	0068-3	
Figure 2. Tandem Pump. ....	0068-4	
Figure 3. Tandem Pump. ....	0068-5	
Figure 4. Fittings. ....	0068-6	
Figure 5. Coupling Dimension. ....	0068-7	
Figure 6. Plate and Coupling. ....	0068-8	
Figure 7. Tandem Pump. ....	0068-9	
Figure 8. Tandem Pump. ....	0068-10	
Axle Maintenance . . . . .		WP 0069
Figure 1. Rubber Access Plug. ....	0069-2	
Figure 2. Floor Compartment. ....	0069-2	
Figure 3. Axle Hub Assembly. ....	0069-3	
Figure 4. Axle Removal. ....	0069-4	
Figure 5. Axle and Hub. ....	0069-5	
Figure 6. Axle and Hub. ....	0069-6	
Figure 7. Axle Hub Assembly. ....	0069-7	
Figure 8. Floor Compartment. ....	0069-8	
Figure 9. Rubber Access Plug. ....	0069-8	
Figure 10. Chain Deflection. ....	0069-9	
Brake Pilot Valve Maintenance . . . . .		WP 0070
Figure 1. Brake Pilot Valve. ....	0070-2	
Figure 2. Brake Pilot Valve Solenoids. ....	0070-3	
Figure 3. Brake Pilot Valve Solenoids. ....	0070-5	
Figure 4. Brake Pilot Valve. ....	0070-6	

**TABLE OF CONTENTS - CONTINUED**

	<u>Page No.</u>	<u>WP Sequence No.</u>
Hydraulic Oil Filter Head and Pressure Switch Replacement .....		WP 0071
Figure 1. LH Access Cover. ....	.0071-2	
Figure 2. Hydraulic Oil Filter Head. ....	.0071-3	
Figure 3. Hydraulic Oil Filter Head. ....	.0071-5	
Figure 4. LH Access Cover. ....	.0071-6	
Hydraulic Oil Filter Element Replacement .....		WP 0072
Figure 1. Hydraulic Oil Filter Element. ....	.0072-2	
Track Maintenance .....		WP 0073
Figure 1. Adjusting Strap. ....	.0073-2	
Figure 2. Chain Link Bushing. ....	.0073-3	
Figure 3. Track. ....	.0073-3	
Figure 4. Non-Operational Vehicle. ....	.0073-4	
Figure 5. Track Pad. ....	.0073-5	
Figure 6. Track Installation. ....	.0073-6	
Figure 7. Chain Link Bushing. ....	.0073-7	
Figure 8. Strap Installation. ....	.0073-7	
Figure 9. Adjusting Strap. ....	.0073-8	
Figure 10. Slack. ....	.0073-9	
Figure 11. Adjusting Track Length. ....	.0073-10	
Wheel and Tire Assembly Replacement .....		WP 0074
Figure 1. Wheel and Tire Assembly. ....	.0074-2	
Track Replacement .....		WP 0075
Figure 1. Cover. ....	.0075-2	
Figure 2. Adjuster. ....	.0075-3	
Figure 3. Track. ....	.0075-5	
Figure 4. Track. ....	.0075-6	
Figure 5. Torque Sequence. ....	.0075-7	
Figure 6. Track Installation. ....	.0075-7	
Figure 7. Track Tension Check. ....	.0075-8	
Figure 8. Adjuster. ....	.0075-9	
Figure 9. Cover. ....	.0075-10	
Hydraulic Drive Motor Replacement .....		WP 0076
Figure 1. Hydraulic Drive Motor. ....	.0076-2	
Figure 2. Hydraulic Drive Motor. ....	.0076-3	
Hydraulic Drive Motor Oil Service .....		WP 0077
Figure 1. Drain Position. ....	.0077-2	
Figure 2. Fill Position. ....	.0077-3	
Tandem Pump Replacement .....		WP 0078
Figure 1. Tandem Pump. ....	.0078-2	
Figure 2. Tandem Pump. ....	.0078-3	
Figure 3. Plate and Coupling. ....	.0078-4	
Figure 4. Fittings. ....	.0078-5	
Figure 5. Coupling Dimension. ....	.0078-6	
Figure 6. Plate and Coupling. ....	.0078-6	
Figure 7. Tandem Pump. ....	.0078-7	

**TABLE OF CONTENTS - CONTINUED**

	<u>Page No.</u>	<u>WP Sequence No.</u>
Figure 8. Tandem Pump. . . . .	0078-8	
Track Frame Assembly Maintenance . . . . .		WP 0079
Figure 1. Rubber Access Plug. . . . .	0079-3	
Figure 2. Housing. . . . .	0079-3	
Figure 3. Powertrain Lines and Fittings. . . . .	0079-5	
Figure 4. Track Frame Assembly. . . . .	0079-7	
Figure 5. Access Cover. . . . .	0079-8	
Figure 6. Access Cover. . . . .	0079-9	
Figure 7. Track Frame Assembly. . . . .	0079-10	
Figure 8. Rubber Access Plug. . . . .	0079-11	
Figure 9. Powertrain Lines and Fittings. . . . .	0079-12	
Figure 10. Housing. . . . .	0079-13	
Auxiliary Hydraulic Cable Replacement . . . . .		WP 0080
Figure 1. Auxiliary Hydraulic Cable. . . . .	0080-2	
Boom Override Valve Replacement . . . . .		WP 0081
Figure 1. Console Bracket. . . . .	0081-2	
Figure 2. Boom Override Valve. . . . .	0081-3	
Hydraulic Hoses, Lines and Fittings Replacement . . . . .		WP 0082
Figure 1. Clamps. . . . .	0082-2	
Figure 2. Line, Hose, and Fitting. . . . .	0082-3	
Figure 3. Line, Hose, and Fitting. . . . .	0082-5	
Figure 4. Clamps. . . . .	0082-6	
Joystick Hoses and Fittings Replacement . . . . .		WP 0083
Figure 1. Joystick Hoses and Fittings. . . . .	0083-3	
Figure 2. Joystick Hoses and Fittings. . . . .	0083-4	
Control Handles and Joystick Valve Replacement . . . . .		WP 0084
Figure 1. Control Handle. . . . .	0084-2	
Figure 2. Joystick Valve. . . . .	0084-3	
Figure 3. Joystick Valve. . . . .	0084-4	
Figure 4. Control Handle. . . . .	0084-5	
Auxiliary Hydraulic Pedal Replacement . . . . .		WP 0085
Figure 1. Floor Plate. . . . .	0085-2	
Figure 2. Auxiliary Hydraulic Pedal. . . . .	0085-2	
Figure 3. Auxiliary Hydraulic Cable. . . . .	0085-3	
Figure 4. Auxiliary Hydraulic Cable. . . . .	0085-4	
Figure 5. Auxiliary Hydraulic Pedal. . . . .	0085-4	
Figure 6. Auxiliary Hydraulic Cable. . . . .	0085-5	
Lift Cylinder Maintenance . . . . .		WP 0086
Figure 1. Lift Cylinder Cover. . . . .	0086-2	
Figure 2. Lift Cylinder Hoses and Lines. . . . .	0086-3	
Figure 3. Lift Cylinder Upper Pin. . . . .	0086-4	
Figure 4. Lift Cylinder Lower Pin. . . . .	0086-5	
Figure 5. Lift Cylinder. . . . .	0086-6	
Figure 6. Lift Cylinder. . . . .	0086-7	
Figure 7. Lift Cylinder. . . . .	0086-9	

**TABLE OF CONTENTS - CONTINUED**

	<u>Page No.</u>	<u>WP Sequence No.</u>
Figure 8. Lift Cylinder. . . . .	.0086-9	
Figure 9. Lift Cylinder Lower Pin. . . . .	.0086-10	
Figure 10. Lift Cylinder Upper Pin. . . . .	.0086-11	
Figure 11. Lift Cylinder Hoses and Lines. . . . .	.0086-12	
Figure 12. Lift Cylinder Cover. . . . .	.0086-13	
Tilt Cylinder Maintenance . . . . .		WP 0087
Figure 1. Tilt Cylinder. . . . .	.0087-2	
Figure 2. Tilt Cylinder. . . . .	.0087-3	
Figure 3. Tilt Cylinder. . . . .	.0087-4	
Figure 4. Tilt Cylinder. . . . .	.0087-6	
Gear Pump Maintenance . . . . .		WP 0088
Figure 1. Gear Pump. . . . .	.0088-2	
Figure 2. Gear Pump Disassembly. . . . .	.0088-3	
Figure 3. Gear Pump. . . . .	.0088-5	
Figure 4. Gear Pump. . . . .	.0088-6	
Main Hydraulic Valve Maintenance . . . . .		WP 0089
Figure 1. Main Hydraulic Valve. . . . .	.0089-2	
Figure 2. Main Hydraulic Valve. . . . .	.0089-3	
Figure 3. Pressure Relief Valve. . . . .	.0089-4	
Figure 4. Loader Spool. . . . .	.0089-5	
Figure 5. Bucket Spool. . . . .	.0089-6	
Figure 6. Auxiliary Spool. . . . .	.0089-7	
Figure 7. Ports and Relief Valves. . . . .	.0089-8	
Figure 8. Auxiliary Spool. . . . .	.0089-11	
Figure 9. Bucket Spool. . . . .	.0089-12	
Figure 10. Loader Spool. . . . .	.0089-13	
Figure 11. Fittings. . . . .	.0089-14	
Figure 12. Main Hydraulic Valve. . . . .	.0089-15	
Figure 13. Main Hydraulic Valve. . . . .	.0089-16	
Figure 14. Main Hydraulic Valve. . . . .	.0089-17	
Raising Loader Arms with Engine Stopped and No Electrical Power . . . . .		WP 0090
Figure 1. Attachment Coupler and Loader Arm Hose Connections. . . . .	.0090-2	
A/C Condenser Replacement . . . . .		WP 0091
Figure 1. A/C Condenser. . . . .	.0091-2	
A/C Receiver/Dryer Replacement . . . . .		WP 0092
Figure 1. A/C Receiver/Dryer. . . . .	.0092-2	
A/C System Maintenance . . . . .		WP 0093
Figure 1. Recovery Hook-Up. . . . .	.0093-3	
Figure 2. Evacuation Hook-Up. . . . .	.0093-5	
Figure 3. Charging Hook-Up. . . . .	.0093-7	
RH/LH Console Replacement . . . . .		WP 0094
Figure 1. RH Console. . . . .	.0094-2	
Figure 2. RH Console Connectors. . . . .	.0094-3	
Figure 3. LH Console. . . . .	.0094-4	

**TABLE OF CONTENTS - CONTINUED**

	<u>Page No.</u>	<u>WP Sequence No.</u>
Figure 4. LH Console Connectors. ....	0094-5	
Figure 5. RH Console Connectors. ....	0094-6	
Figure 6. RH Console. ....	0094-7	
Chassis Covers Replacement .....		WP 0095
Figure 1. Chassis Covers (Underside). ....	0095-1	
Figure 2. Chassis Cover (ROPS). ....	0095-2	
Figure 3. Chassis Cover (Cab). ....	0095-2	
Figure 4. Chassis Covers (Underside). ....	0095-4	
Battery Access Cover Replacement .....		WP 0096
Figure 1. Battery Compartment Cover Screws. ....	0096-1	
Figure 2. Battery Compartment Cover. ....	0096-2	
Figure 3. Battery Compartment Cover Retaining Cable. ....	0096-3	
Figure 4. Battery Compartment Cover Retaining Cable. ....	0096-4	
Figure 5. Battery Compartment Cover. ....	0096-5	
Figure 6. Battery Compartment Cover Screws. ....	0096-6	
Counterweight Bumper Replacement .....		WP 0097
Figure 1. Counterweight Bumper Replacement. ....	0097-2	
Data Plates and Warning Labels Replacement .....		WP 0098
Figure 1. Data Plate. ....	0098-2	
Heat Shield Extension Panel Replacement .....		WP 0099
Figure 1. Heat Shield Pad (Rear of ROPS). ....	0099-1	
Figure 2. Heat Shield Plate (Cab Interior). ....	0099-2	
Figure 3. Heat Shield Plate (Rear of ROPS). ....	0099-3	
Figure 4. ROPS Bolts. ....	0099-3	
Figure 5. Heat Shield Plate and Brackets. ....	0099-4	
Figure 6. Heat Shield Plate and Brackets. ....	0099-6	
Figure 7. Heat Shield Plate. ....	0099-7	
Figure 8. ROPS Bolts. ....	0099-7	
Figure 9. Heat Shield Plate (Cab Interior). ....	0099-8	
Figure 10. Heat Shield Pad (Rear of ROPS). ....	0099-9	
Heater Hoses, Valves, and Fittings Replacement. ....		WP 0100
Figure 1. Heater Hose Return. ....	0100-2	
Figure 2. Heater Hose Supply. ....	0100-3	
Figure 3. Heater Hose Splice. ....	0100-3	
Figure 4. Heater ON/OFF Valve. ....	0100-4	
Figure 5. Electric Water Valve (Front). ....	0100-4	
Figure 6. Electric Water Valve (Rear). ....	0100-5	
Figure 7. RH Hose Cover. ....	0100-5	
Figure 8. Cab Front. ....	0100-6	
Figure 9. ROPS Rear. ....	0100-6	
Figure 10. RH Side Access. ....	0100-7	
Figure 11. RH Side Access. ....	0100-8	
Figure 12. ROPS Rear. ....	0100-8	
Figure 13. Cab Front. ....	0100-9	
Figure 14. RH Hose Cover. ....	0100-9	
Figure 15. Electric Water Valve (Rear). ....	0100-10	

**TABLE OF CONTENTS - CONTINUED**

	<u>Page No.</u>	<u>WP Sequence No.</u>
Figure 16. Electric Water Valve (Front).	.0100-10	
Figure 17. Heater ON/OFF Valve.	.0100-11	
Figure 18. Heater Hose Splice.	.0100-11	
Figure 19. Heater Hose Supply.	.0100-12	
Figure 20. Heater Hose Return.	.0100-12	
Dust Boot Replacement.		WP 0101
Figure 1. Dust Boot Removal.	.0101-2	
LH Joystick Console Bracket Replacement.		WP 0102
Figure 1. Bracket Mounting Bolts.	.0102-1	
Figure 2. Bracket Plate.	.0102-2	
Figure 3. Clamp and Hose Bracket.	.0102-3	
Figure 4. LH Joystick Console Bracket.	.0102-4	
Figure 5. LH Joystick Console Bracket.	.0102-5	
Figure 6. Clamp and Hose Bracket.	.0102-6	
Figure 7. Bracket Plate.	.0102-7	
Figure 8. Bracket Mounting Bolts.	.0102-8	
RH Joystick Console Bracket Replacement		WP 0103
Figure 1. Bracket Mounting Bolts.	.0103-1	
Figure 2. Bracket Plate.	.0103-2	
Figure 3. Clamp and Hose Bracket.	.0103-2	
Figure 4. Clamp and Hose Bracket.	.0103-4	
Figure 5. Bracket Plate.	.0103-4	
Figure 6. Bracket Mounting Bolts.	.0103-5	
Left Joystick Console Replacement		WP 0104
Figure 1. Joystick Console Replacement.	.0104-1	
Figure 2. Joystick Console Replacement.	.0104-2	
Right Joystick Console Replacement		WP 0105
Figure 1. Joystick Console Replacement.	.0105-1	
Figure 2. Power Point Wires.	.0105-2	
Figure 3. Power Point Wires.	.0105-4	
Figure 4. Joystick Console Replacement.	.0105-5	
Loader Arm Maintenance		WP 0106
Figure 1. Hydraulic Lines and Hoses.	.0106-2	
Figure 2. Lift Cylinder.	.0106-3	
Figure 3. Loader Arm Support.	.0106-4	
Figure 4. Lifting Device.	.0106-5	
Figure 5. Loader Arm.	.0106-6	
Figure 6. Hoses.	.0106-7	
Figure 7. Tilt Cylinder.	.0106-7	
Figure 8. Coupler.	.0106-8	
Figure 9. Quick Disconnects.	.0106-9	
Figure 10. Lines and Clamps.	.0106-9	
Figure 11. Lines and Clamps.	.0106-11	
Figure 12. Quick Disconnects.	.0106-12	
Figure 13. Coupler.	.0106-13	



**TABLE OF CONTENTS - CONTINUED**

	<u>Page No.</u>	<u>WP Sequence No.</u>
Figure 14. Tilt Cylinder. . . . .	0106-14	
Figure 15. Hoses. . . . .	0106-15	
Figure 16. Lifting Device. . . . .	0106-16	
Figure 17. Loader Arms Support. . . . .	0106-17	
Figure 18. Loader Arm. . . . .	0106-17	
Figure 19. Lift Cylinder. . . . .	0106-18	
Figure 20. Hydraulic Lines and Hoses. . . . .	0106-19	
Loader Arm Support Strut Replacement . . . . .		WP 0107
Figure 1. Loader Support Strut. . . . .	0107-1	
Figure 2. Loader Support Strut. . . . .	0107-2	
Rear Window Replacement. . . . .		WP 0108
Figure 1. Access Cover. . . . .	0108-1	
Figure 2. Heat Shield Plate and Brackets. . . . .	0108-2	
Figure 3. End Cap Covers and Retaining Hardware. . . . .	0108-2	
Figure 4. Case, Drain Hoses, and Retaining Hardware. . . . .	0108-3	
Figure 5. Deluxe Heater A/C Assembly Removal. . . . .	0108-3	
Figure 6. Rear Window (Interior). . . . .	0108-4	
Figure 7. Rear Window (Exterior). . . . .	0108-4	
Figure 8. Rear Window Clip. . . . .	0108-5	
Figure 9. Rear Window Clip. . . . .	0108-6	
Figure 10. Rear Window (Exterior). . . . .	0108-6	
Figure 11. Rear Window (Interior). . . . .	0108-7	
Figure 12. Deluxe Heater A/C Assembly Installation. . . . .	0108-7	
Figure 13. Case, Drain Hoses, and Retaining Hardware. . . . .	0108-8	
Figure 14. End Cap Covers and Retaining Hardware. . . . .	0108-8	
Figure 15. Heat Shield Plate and Brackets. . . . .	0108-9	
Figure 16. Access Cover. . . . .	0108-9	
Refrigerant Hoses Replacement. . . . .		WP 0109
Figure 1. End Cap Covers and Retaining Hardware. . . . .	0109-1	
Figure 2. HVAC Box Hoses. . . . .	0109-2	
Figure 3. Receiver/Dryer. . . . .	0109-3	
Figure 4. Hoses. . . . .	0109-3	
Figure 5. Outer Cover. . . . .	0109-4	
Figure 6. Wiring Harness and Heater Hose. . . . .	0109-4	
Figure 7. A/C Compressor. . . . .	0109-5	
Figure 8. Clamp. . . . .	0109-5	
Figure 9. Condenser. . . . .	0109-6	
Figure 10. Condenser. . . . .	0109-8	
Figure 11. Clamp. . . . .	0109-9	
Figure 12. A/C Compressor. . . . .	0109-10	
Figure 13. Wiring Harness and Hoses. . . . .	0109-11	
Figure 14. Outer Cover. . . . .	0109-11	
Figure 15. Hoses. . . . .	0109-12	
Figure 16. Receiver/Dryer. . . . .	0109-13	
Figure 17. HVAC Box. . . . .	0109-13	
Figure 18. End Cap Covers and Retaining Hardware. . . . .	0109-14	
ROPS Replacement . . . . .		WP 0110

**TABLE OF CONTENTS - CONTINUED**

	<u>Page No.</u>	<u>WP Sequence No.</u>
Figure 1. ROPS. ....	.0110-2	
Figure 2. ROPS. ....	.0110-4	
ROPS Access Covers Replacement . . . . .		WP 0111
Figure 1. ROPS Cover. ....	.0111-2	
ROPS Latch Replacement . . . . .		WP 0112
Figure 1. ROPS Latch Replacement. ....	.0112-2	
ROPS Pivot Struts Replacement . . . . .		WP 0113
Figure 1. Exterior Nut. ....	.0113-2	
Figure 2. RH ROPS Main Pivot Strut. ....	.0113-3	
Figure 3. Exterior Bolts. ....	.0113-4	
Figure 4. Access Panel. ....	.0113-4	
Figure 5. LH ROPS Auxiliary Pivot Strut Through Bolt (Lower End). ....	.0113-5	
Figure 6. LH ROPS Auxiliary Pivot Strut (Upper End). ....	.0113-5	
Figure 7. LH ROPS Auxiliary Pivot Strut Through Bolt (Lower End). ....	.0113-6	
Figure 8. LH ROPS Auxiliary Pivot Strut (Upper End). ....	.0113-7	
Figure 9. Access Panel. ....	.0113-7	
Figure 10. Exterior Bolts. ....	.0113-8	
Figure 11. RH ROPS Main Pivot Strut. ....	.0113-9	
Figure 12. Exterior Nut. ....	.0113-10	
Seat Belt Replacement . . . . .		WP 0114
Figure 1. Seat Belt Mounting. ....	.0114-1	
Figure 2. Lap Belt Retractor. ....	.0114-2	
Figure 3. Shoulder Belt Retractor. ....	.0114-2	
Figure 4. Shoulder Belt Retractor Spacer and Bolt. ....	.0114-3	
Figure 5. Electrical Connector and Buckle. ....	.0114-3	
Figure 6. Electrical Connector and Buckle. ....	.0114-5	
Figure 7. Shoulder Belt Retractor Spacer and Bolt. ....	.0114-5	
Figure 8. Shoulder Belt Retractor. ....	.0114-6	
Figure 9. Lap Belt Retractor. ....	.0114-6	
Figure 10. Seat Belt Mounting. ....	.0114-7	
Arm Rest Replacement . . . . .		WP 0115
Figure 1. Arm Rest Replacement. ....	.0115-1	
Figure 2. Arm Rest Replacement. ....	.0115-3	
Rear-View Mirrors Replacement . . . . .		WP 0116
Figure 1. Left-Hand Rear-View Mirror. ....	.0116-1	
Figure 2. Mirror Assembly and Mounting Bracket. ....	.0116-2	
Figure 3. Mirror Assembly and Mounting Bracket. ....	.0116-3	
Figure 4. Left-Hand Rear-View Mirror. ....	.0116-4	
Sound Sealing Replacement. ....		WP 0117
Figure 1. Machine Front. ....	.0117-1	
Figure 2. Machine Rear. ....	.0117-2	
Figure 3. ROPS Bottom. ....	.0117-2	
Figure 4. Inside Lower Front of Machine. ....	.0117-3	
Figure 5. Inside Lower Front of Machine. ....	.0117-4	
Figure 6. ROPS Bottom. ....	.0117-4	

**TABLE OF CONTENTS - CONTINUED**

	<u>Page No.</u>	<u>WP Sequence No.</u>
Figure 7. Machine Rear. ....	.0117-5	
Figure 8. Machine Front. ....	.0117-5	
Step Replacement. ....		WP 0118
Figure 1. Step Replacement. ....	.0118-2	
Load Capacity Sign Replacement. ....		WP 0119
Figure 1. Load Capacity Sign. ....	.0119-2	
Figure 2. Load Capacity Sign. ....	.0119-4	
LH Window Replacement. ....		WP 0120
Figure 1. Seat Belt Mounting. ....	.0120-1	
Figure 2. LH Console. ....	.0120-2	
Figure 3. Left Side Window. ....	.0120-3	
Figure 4. Left Side Window. ....	.0120-4	
Figure 5. LH Console. ....	.0120-5	
Figure 6. Seat Belt Mounting. ....	.0120-6	
RH Window Replacement. ....		WP 0121
Figure 1. Upper Weapon Rack Removal. ....	.0121-1	
Figure 2. RH Console. ....	.0121-2	
Figure 3. Right Side Window. ....	.0121-3	
Figure 4. Right Side Window. ....	.0121-4	
Figure 5. RH Console. ....	.0121-5	
Figure 6. Upper Weapon Rack Installation. ....	.0121-6	
Top Window Replacement. ....		WP 0122
Figure 1. Top Window. ....	.0122-1	
Figure 2. Top Window. ....	.0122-2	
Weapon Rack Replacement. ....		WP 0123
Figure 1. ROPS Cover. ....	.0123-1	
Figure 2. Weapon Rack Replacement. ....	.0123-2	
Figure 3. ROPS Cover. ....	.0123-4	
Coupler Maintenance. ....		WP 0124
Figure 1. Coupler Removal. ....	.0124-2	
Figure 2. Coupler Disassembly. ....	.0124-3	
Figure 3. Coupler Assembly. ....	.0124-5	
Figure 4. Coupler Installation. ....	.0124-6	
Rear Door Maintenance. ....		WP 0125
Figure 1. Rear Engine Door. ....	.0125-3	
Figure 2. Rear Engine Door. ....	.0125-4	
Seat Assembly Maintenance. ....		WP 0126
Figure 1. Tilting and Blocking Seat Assembly. ....	.0126-1	
Figure 2. Electrical Connector and Support Strut. ....	.0126-2	
Figure 3. Electrical Connector and Buckle. ....	.0126-3	
Figure 4. Seat Assembly Mounting. ....	.0126-4	
Figure 5. Seat Support. ....	.0126-5	
Figure 6. Foam and Fasteners. ....	.0126-5	
Figure 7. Seat Mount. ....	.0126-6	
Figure 8. Wiring Harness. ....	.0126-6	

**TABLE OF CONTENTS - CONTINUED**

	<u>Page No.</u>	<u>WP Sequence No.</u>
Figure 9. Foam and Fasteners. ....	.0126-7	
Figure 10. Wiring Harness. ....	.0126-8	
Figure 11. Seat Mount. ....	.0126-8	
Figure 12. Seat Support. ....	.0126-9	
Figure 13. Seat Assembly Mounting. ....	.0126-9	
Figure 14. Tilting and Blocking Seat Assembly. ....	.0126-10	
Figure 15. Electrical Connector and Support Strut. ....	.0126-10	
Throttle Controls Replacement .....		WP 0127
Figure 1. Actuator-to-Engine Control Rod (Front). ....	.0127-1	
Figure 2. Throttle Control Rod Retaining Clamp. ....	.0127-2	
Figure 3. Actuator-to-Engine Control Rod (Rear). ....	.0127-2	
Figure 4. Actuator-to-Pedal Linkage (Upper). ....	.0127-3	
Figure 5. Setscrew. ....	.0127-4	
Figure 6. Throttle Lever and Actuator Assembly. ....	.0127-4	
Figure 7. Throttle Pedal. ....	.0127-5	
Figure 8. Throttle Pedal. ....	.0127-6	
Figure 9. Throttle Lever and Actuator Assembly. ....	.0127-7	
Figure 10. Actuator-to-Pedal Linkage (Upper). ....	.0127-7	
Figure 11. Actuator-to-Engine Control Rod (Rear). ....	.0127-8	
Figure 12. Throttle Control Rod Retaining Clamp. ....	.0127-8	
Figure 13. Actuator-to-Engine Control Rod (Front). ....	.0127-9	
Figure 14. Setscrew. ....	.0127-10	
Figure 15. Actuator-to-Engine Control Rod (Front). ....	.0127-11	
Cab Door Maintenance .....		WP 0128
Figure 1. Wiper Motor Wiring Harness. ....	.0128-1	
Figure 2. Wiper Blade. ....	.0128-2	
Figure 3. Wiper Arm. ....	.0128-2	
Figure 4. Wiper Motor and Bracket. ....	.0128-3	
Figure 5. Wiper Arm Mounting Plate. ....	.0128-3	
Figure 6. Latch Cover. ....	.0128-4	
Figure 7. Right Thumb Rotary Latch. ....	.0128-4	
Figure 8. Friction Catch Stud. ....	.0128-5	
Figure 9. Door Handle (Interior). ....	.0128-5	
Figure 10. Door Handle, Gaskets, and Spacers. ....	.0128-6	
Figure 11. Cylinder. ....	.0128-6	
Figure 12. Ball Stud. ....	.0128-7	
Figure 13. Front Door. ....	.0128-7	
Figure 14. Door Switch. ....	.0128-8	
Figure 15. Front Door. ....	.0128-10	
Figure 16. Ball Stud. ....	.0128-10	
Figure 17. Cylinder. ....	.0128-11	
Figure 18. Door Handle, Gaskets, and Spacers. ....	.0128-11	
Figure 19. Door Handle (Interior). ....	.0128-12	
Figure 20. Friction Catch Stud. ....	.0128-12	
Figure 21. Right Thumb Rotary Latch. ....	.0128-13	
Figure 22. Latch Cover. ....	.0128-13	
Figure 23. Wiper Motor and Bracket. ....	.0128-14	

**TABLE OF CONTENTS - CONTINUED**

	<u>Page No.</u>	<u>WP Sequence No.</u>
Figure 24. Wiper Arm Mounting Plate. ....	0128-14	
Figure 25. Wiper Arm. ....	0128-15	
Figure 26. Wiper Blade. ....	0128-15	
Figure 27. Wiper Motor Wiring Harness. ....	0128-16	
Windshield Washer Reservoir Replacement. ....		WP 0129
Figure 1. Filler Neck Adapter. ....	0129-1	
Figure 2. Windshield Washer Reservoir. ....	0129-2	
Figure 3. Electrical Connector. ....	0129-2	
Figure 4. Reservoir Bracket. ....	0129-3	
Figure 5. Washer Hose and Nozzle. ....	0129-3	
Figure 6. Washer Hose and Nozzle. ....	0129-4	
Figure 7. Reservoir Bracket. ....	0129-5	
Figure 8. Electrical Connector. ....	0129-5	
Figure 9. Windshield Washer Reservoir. ....	0129-6	
Figure 10. Filler Neck Adapter. ....	0129-6	
Deluxe Heater A/C Maintenance. ....		WP 0130
Figure 1. End Cap Covers and Retaining Hardware. ....	0130-2	
Figure 2. A/C Hose Connections on Evaporator. ....	0130-3	
Figure 3. O-rings on A/C Hose Fittings. ....	0130-3	
Figure 4. Wiring Harness, Heater Hoses, Drain Hose, and Retaining Hardware on Back of ROPS. ....	0130-4	
Figure 5. Case, Drain Hoses, and Retaining Hardware. ....	0130-5	
Figure 6. Deluxe Heater A/C Assembly Removal. ....	0130-5	
Figure 7. Deluxe Heater A/C Assembly. ....	0130-7	
Figure 8. A/C Evaporator Core and Heater Core. ....	0130-9	
Figure 9. A/C Evaporator Core and Heater Core. ....	0130-11	
Figure 10. Deluxe Heater A/C. ....	0130-13	
Figure 11. Deluxe Heater A/C Assembly Installation. ....	0130-14	
Figure 12. Case, Drain Hoses, and Retaining Hardware. ....	0130-14	
Figure 13. O-rings on A/C Hose Fittings. ....	0130-15	
Figure 14. A/C Hose Connections on Evaporator. ....	0130-15	
Figure 15. End Cap Covers and Retaining Hardware. ....	0130-16	
Figure 16. Wiring Harness, Heater Hoses, Drain Hose, and Retaining Hardware on Back of ROPS. ....	0130-17	
Engine Compartment Hood Replacement. ....		WP 0131
Figure 1. Engine Compartment Hood. ....	0131-3	
Figure 2. Engine Compartment Hood Hardware. ....	0131-4	
Figure 3. Engine Compartment Assembly. ....	0131-5	
Exhaust Extension Tube Replacement. ....		WP 0132
Figure 1. Exhaust Pipe. ....	0132-2	
Headliner Duct Assembly Maintenance. ....		WP 0133
Figure 1. Interior Cab Mirrors. ....	0133-1	
Figure 2. Headliner Duct Assembly. ....	0133-2	
Figure 3. Headliner Duct Assembly. ....	0133-2	
Figure 4. Dome Light and Bezel. ....	0133-3	
Figure 5. Dome Light and Headliner. ....	0133-3	
Figure 6. Dome Light and Lens. ....	0133-4	

**TABLE OF CONTENTS - CONTINUED**

	<u>Page No.</u>	<u>WP Sequence No.</u>
Figure 7. Dome Light and Bulb. . . . .	.0133-4	
Figure 8. Round Vent, Bezel, and Headliner. . . . .	.0133-5	
Figure 9. Rectangular Vent and Headliner. . . . .	.0133-6	
Figure 10. Dome Light and Headliner. . . . .	.0133-7	
Figure 11. Dome Light and Bezel. . . . .	.0133-7	
Figure 12. Dome Light and Bulb. . . . .	.0133-8	
Figure 13. Dome Light and Lens. . . . .	.0133-8	
Figure 14. Rectangular Vent and Headliner. . . . .	.0133-9	
Figure 15. Round Vent, Bezel, and Headliner. . . . .	.0133-10	
Figure 16. Headliner Duct Assembly. . . . .	.0133-11	
Figure 17. Headliner Duct Assembly. . . . .	.0133-11	
Figure 18. Interior Cab Mirrors. . . . .	.0133-12	
ROPS Tilting Operation. . . . .		WP 0134
Figure 1. Seat Position. . . . .	.0134-1	
Figure 2. ROPS Bolts. . . . .	.0134-2	
Figure 3. ROPS Latch Lever. . . . .	.0134-2	
Figure 4. ROPS Tilting. . . . .	.0134-3	
Figure 5. ROPS Latch Lever. . . . .	.0134-4	
Figure 6. Closing ROPS. . . . .	.0134-5	
Figure 7. ROPS Bolts. . . . .	.0134-6	
A/C Switch Replacement. . . . .		WP 0135
Figure 1. A/C Switch. . . . .	.0135-2	
A/C Pressure Switch Replacement . . . . .		WP 0136
Figure 1. Floor Plate. . . . .	.0136-2	
Figure 2. A/C Pressure Switch. . . . .	.0136-2	
Air Filter Restriction Switch Replacement . . . . .		WP 0137
Figure 1. Air Filter Restriction Switch. . . . .	.0137-2	
Coolant Temperature Sensor Replacement . . . . .		WP 0138
Figure 1. Coolant Temperature Sensor. . . . .	.0138-2	
Backup Alarm Replacement . . . . .		WP 0139
Figure 1. Backup Alarm. . . . .	.0139-2	
Backup Alarm Pressure Switch Replacement . . . . .		WP 0140
Figure 1. Backup Alarm Pressure Switch. . . . .	.0140-1	
Figure 2. Backup Alarm Pressure Switch. . . . .	.0140-3	
Batteries Replacement . . . . .		WP 0141
Figure 1. Battery Compartment. . . . .	.0141-2	
Figure 2. Battery Compartment. . . . .	.0141-3	
Battery Power Disconnect. . . . .		WP 0142
Figure 1. Battery Compartment. . . . .	.0142-2	
Battery Cables Replacement. . . . .		WP 0143
Figure 1. Battery Cables and Single-Point Power Distribution Block. . . . .	.0143-2	
Figure 2. NATO Plug Connection. . . . .	.0143-3	
Figure 3. Power Equalizer Connection. . . . .	.0143-3	



**Download the full PDF manual instantly.**

**Our customer service e-mail:**

**[aservicemanualpdf@yahoo.com](mailto:aservicemanualpdf@yahoo.com)**