

Snow Blower

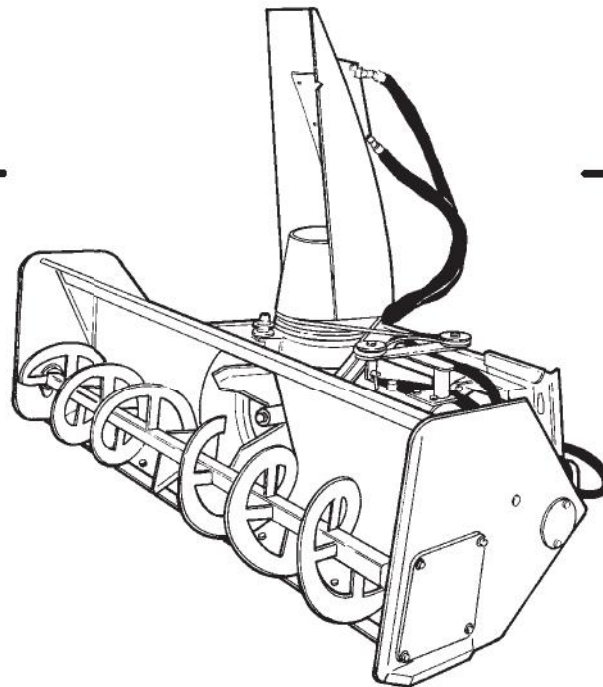
Model 1412
Model 1812
Model 2118
Model 2418



Bobcat®

Service Manual

S/N 715700101 & Above
S/N 711700101 & Above
S/N 711800101 & Above
S/N 711900101 & Above
S/N 712000101 & Above
S/N 712100101 & Above
S/N 712200101 & Above
S/N 712300101 & Above
S/N 712400101 & Above
S/N 712500101 & Above
S/N 712600101 & Above



Dealer Copy - Not for Resale

Doosan purchased Bobcat Company from Ingersoll-Rand Company in 2007. Any reference to Ingersoll-Rand Company or use of trademarks, service marks, logos, or other proprietary identifying marks belonging to Ingersoll-Rand Company in this manual is historical or nominative in nature, and is not meant to suggest a current affiliation between Ingersoll-Rand Company and Bobcat Company or the products of either.



ALPHABETICAL INDEX

ATTACHMENT CONTROL DEVICE (MODEL 1812)	40-01	HYDRAULIC MOTOR (MODEL 2118/2418)	20-01
ATTACHMENT CONTROL DEVICE (MODEL 2118/2418)	40-01	HYDRAULIC MOTOR OPTIONS	50-01
AUGER (MODEL 1412)	30-01	HYDRAULIC RELIEF VALVE (MODEL 1412) ...	20-01
AUGER (MODEL 1812)	30-01	HYDRAULIC RELIEF VALVE (MODEL 1812) ...	20-01
AUGER (MODEL 2118/2418)	30-01	HYDRAULIC RELIEF VALVE (MODEL 2118/2418)	20-01
AUGER DRIVE CHAIN	10-01	HYDRAULIC SCHEMATIC (MODEL 1412/1812) WITH HYDRAULIC CYLINDERS	50-01
AUGER HYDRAULIC RELIEF VALVE	10-01	HYDRAULIC SCHEMATIC (MODEL 1812) WITH ELECTRICAL ACTUATORS	50-01
AUGER SHEAR BOLT	10-01	HYDRAULIC SCHEMATIC FOR STANDARD FLOW SNOW BLOWERS (MODEL 2118/2418)	50-01
CHUTE DEFLECTOR (MODEL 1412)	30-01	HYDRAULIC SCHEMATIC FOR HIGH FLOW SNOW BLOWERS (MODEL 2118/2418)	50-01
CHUTE DEFLECTOR (MODEL 1812)	30-01	INSPECTION	10-01
CHUTE DEFLECTOR (MODEL 2118/2418)	30-01	LUBRICATION	10-01
CHUTE DEFLECTOR ACTUATOR (MODEL 1812)	40-01	MOUNT PLATE (MODEL 1812)	30-01
CHUTE ROTATION ACTUATOR (MODEL 1812)	40-01	MOUNT PLATE (MODEL 2118/2418)	30-01
CUTTING EDGE	10-01	PARTS IDENTIFICATION	iv
DISCHARGE CHUTE (MODEL 1412)	30-01	RELAY BOX (MODEL 1812)	40-01
DISCHARGE CHUTE (MODEL 1812)	30-01	SERIAL NUMBER LOCATION	iii
DISCHARGE CHUTE (MODEL 2118/2418)	30-01	SKID SHOE (MODEL 1812)	30-01
DISCHARGE CHUTE ROTATION CABLE	10-01	SKID SHOE (MODEL 2118/2418)	30-01
DISCHARGE CHUTE ROTATION CHAIN	10-01	SKID SHOES	10-01
DRIVE CHAIN (MODEL 1412)	30-01	SPECIFICATIONS (MODEL 1412)	50-01
ELECTRICAL SCHEMATIC (MODEL 1412)	50-01	SPECIFICATIONS (MODEL 1812)	50-01
ELECTRICAL SCHEMATIC (MODEL 1812) WITH ELECTRICAL ACTUATORS	50-01	SPECIFICATIONS (MODEL 2118/2418)	50-01
ELECTRICAL SCHEMATIC WITH 7 PIN HARNESS (STANDARD FLOW HYDRAULICS) (MODEL 1812/2118/2418)	50-01	TROUBLESHOOTING	10-01
ELECTRICAL SCHEMATIC WITH 7 PIN HARNESS AND 14 PIN HARNESS KIT (STANDARD FLOW HYDRAULICS) (MODEL 1812/2118/2418)	50-01		
ELECTRICAL SCHEMATIC WITH 7 PIN HARNESS (HIGH FLOW HYDRAULICS) (MODEL 2118/2418)	50-01		
ELECTRICAL SCHEMATIC WITH 7 PIN HARNESS AND 14 PIN HARNESS KIT (HIGH FLOW HYDRUALICS) (MODEL 2118/2418)	50-01		
ELECTRICAL SCHEMATIC WITH 14 PIN HARNESS (MODEL 2118/2418) WITHOUT ATTACHMENT CONTROL DEVICE	50-01		
FAN (MODEL 1412)	30-01		
FAN (MODEL 1812)	30-01		
FAN (MODEL 2118/2418)	30-01		
GEARBOX (MODEL 1412)	30-01		
GEARBOX (MODEL 1812)	30-01		
GLOSSARY OF HYDRAULIC SYMBOLS	50-01		
HYDRAULIC CHECK VALVE (MODEL 1812) ...	20-01		
HYDRAULIC CONTROL VALVE (MODEL 1412/1812)	20-01		
HYDRAULIC CONTROL VALVE (MODEL 2118/2418)	20-01		
HYDRAULIC CYLINDER (MODEL 1412)	20-01		
HYDRAULIC CYLINDER (MODEL 1812)	20-01		
HYDRAULIC CYLINDER (MODEL 2118/2418) ..	20-01		
HYDRAULIC MOTOR (MODEL 103/130/146) ...	20-01		
HYDRAULIC MOTOR (MODEL 104/105)	20-01		
HYDRAULIC MOTOR (MODEL HB0556566D) ..	20-01		
HYDRAULIC MOTOR (MODEL 1412)	20-01		
HYDRAULIC MOTOR (MODEL 1812)	20-01		

CONTENTS

SERIAL NUMBER LOCATION	iii
PARTS IDENTIFICATION	iv
SAFETY AND MAINTENANCE	10-01
HYDRAULIC SYSTEM	20-01
ELECTRICAL SYSTEM	30-01
MAIN FRAME	40-01
SPECIFICATIONS AND SCHEMATICS	50-01

**SAFETY AND
MAINTENANCE**

**HYDRAULIC
SYSTEM**

**ELECTRICAL
SYSTEM**

**MAIN
FRAME**

**SPECIFICATIONS
AND
SCHEMATICS**

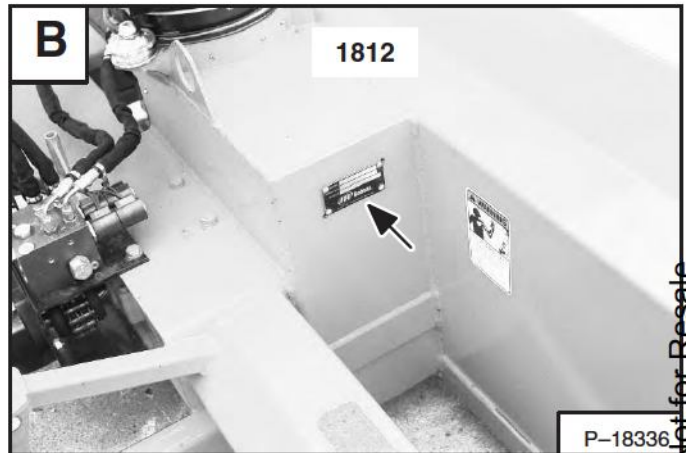
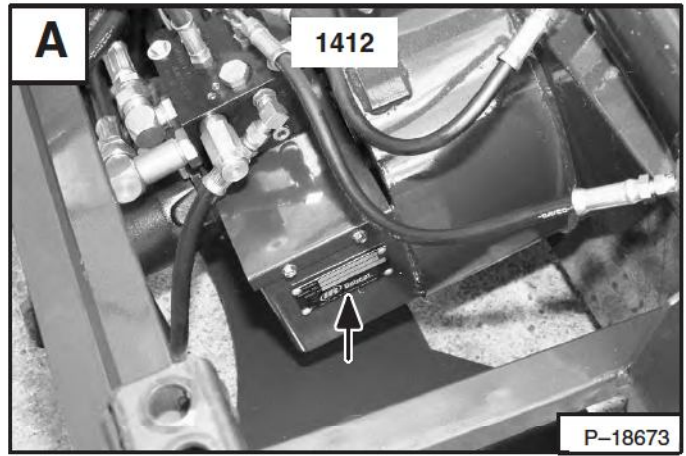
**CALIFORNIA
PROPOSITION 65 WARNING**

Diesel engine exhaust and some of its constituents are known to the State of California to cause cancer, birth defects and other reproductive harm.

Dealer Copy -- Not for Resale

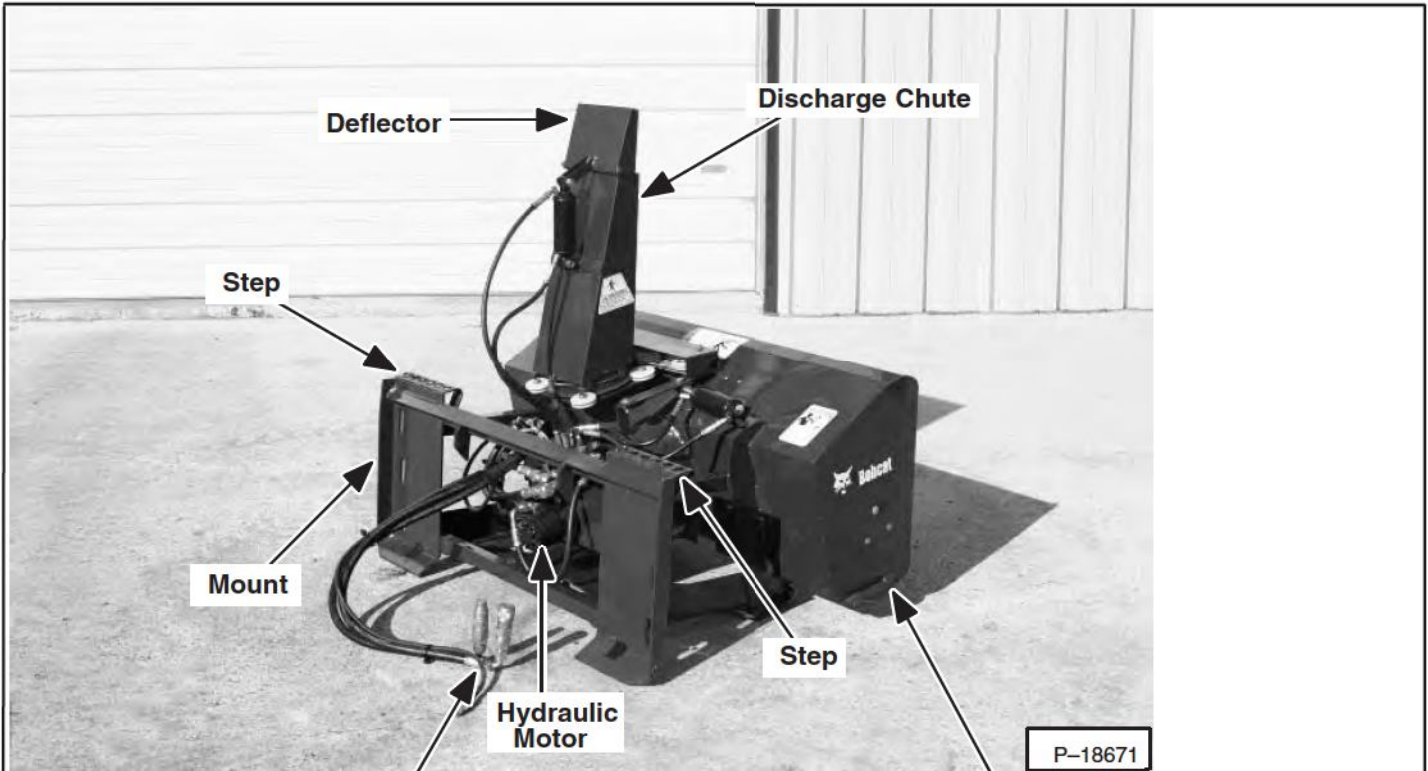
SERIAL NUMBER LOCATION

Always use the serial number of the attachment when requesting service information or when ordering parts. Early or later models (identification made by serial number) may use different parts, or it may be necessary to use a different procedure in doing a specific service operation [A], [B] and [C].



Dealer Copy - Not for Resale

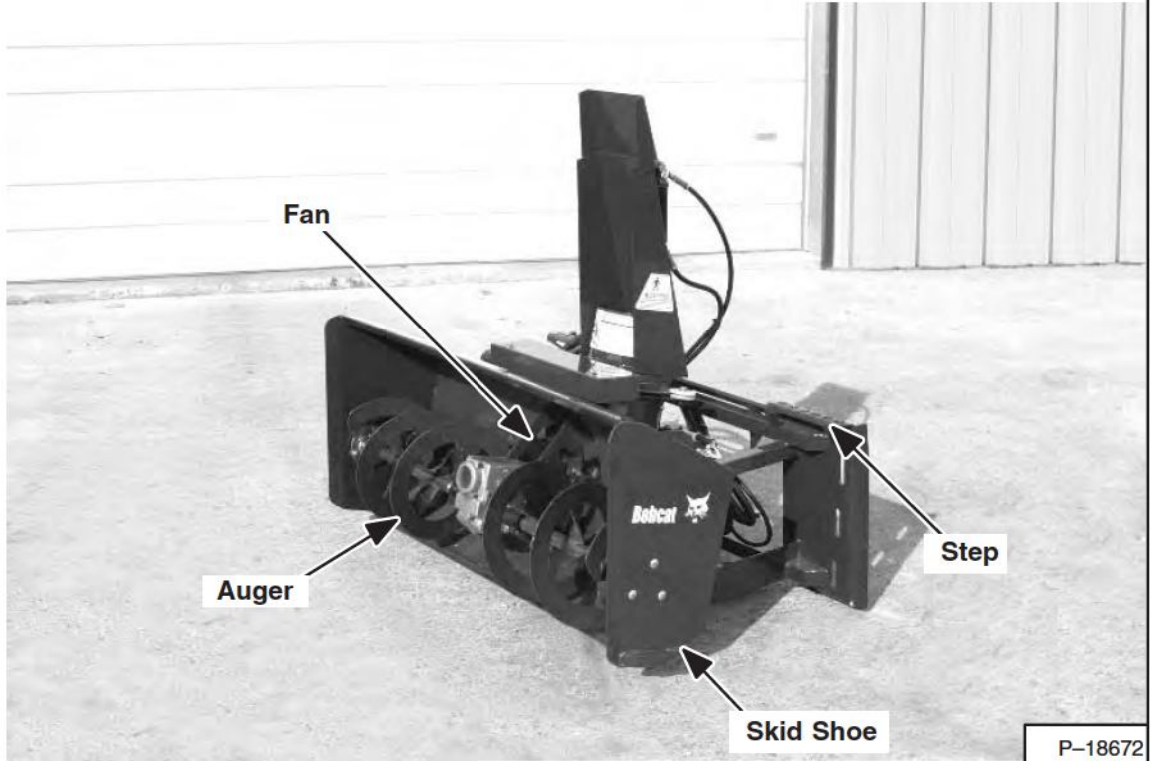
PARTS IDENTIFICATION (MODEL 1412)



Quick Couplers

Skid Shoe

P-18671



Auger

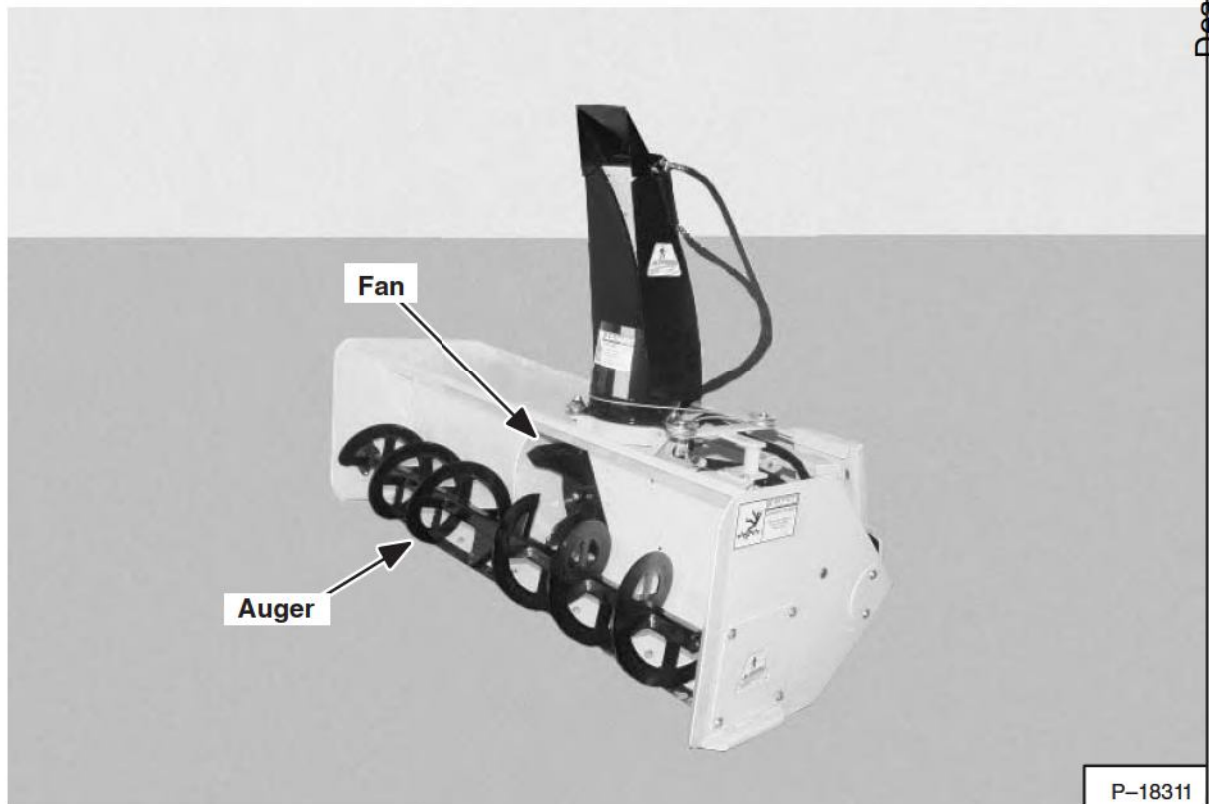
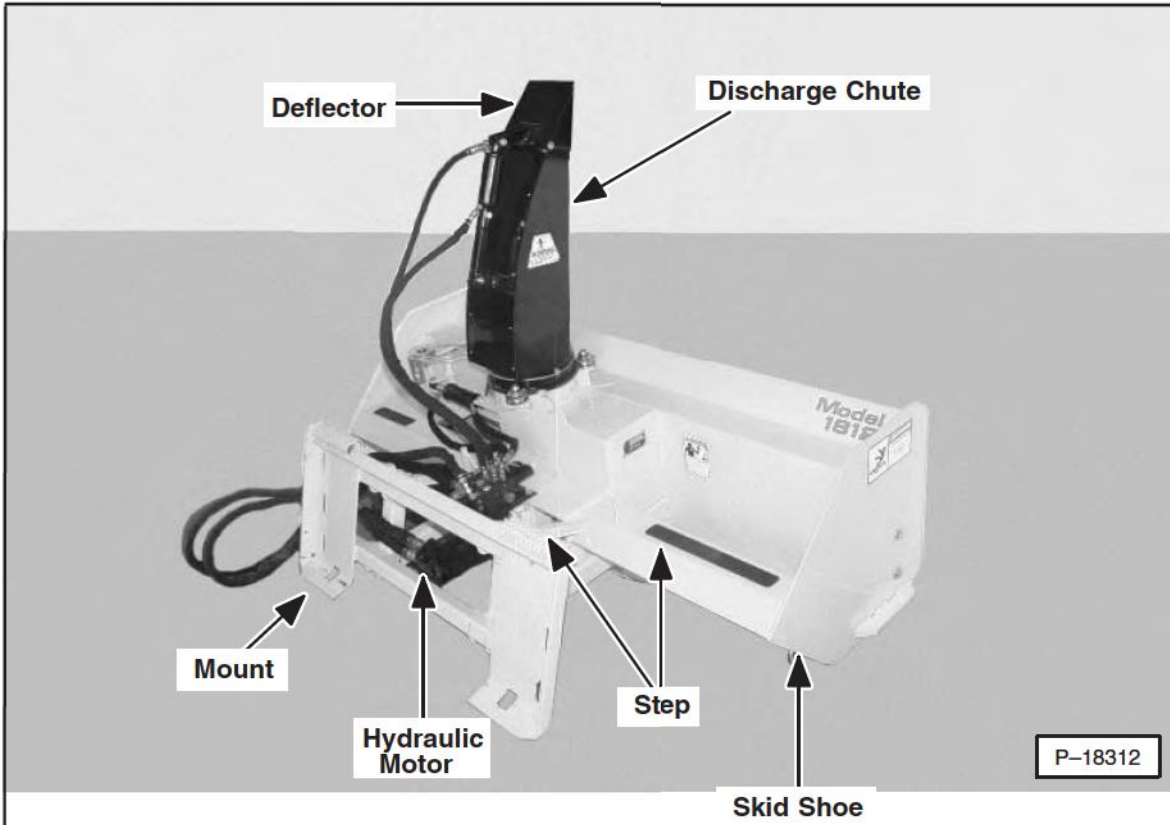
Skid Shoe

Step

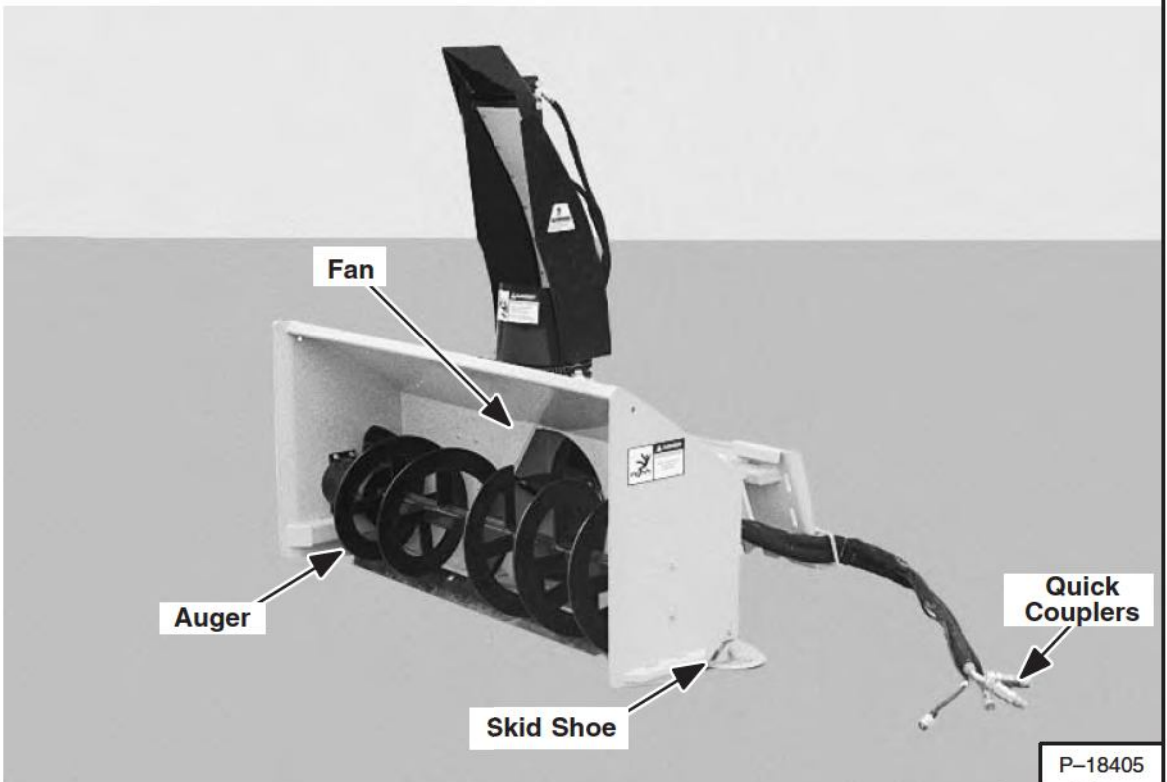
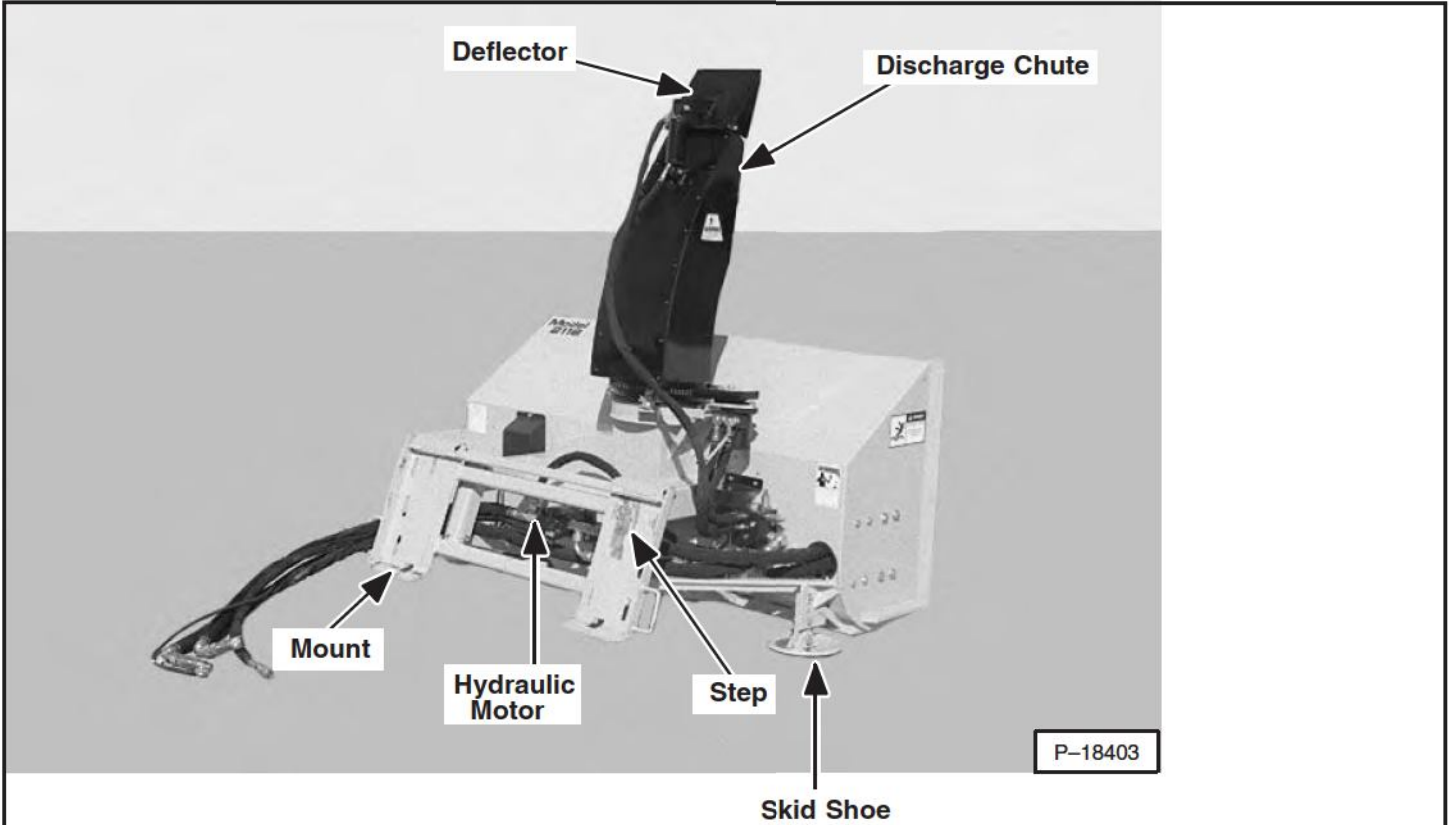
P-18672

Dealer Copy -- Not for Resale

PARTS IDENTIFICATION (MODEL 1812)



Dealer Copy --- Not for Resale



Dealer Copy -- Not for Resale



Download the full PDF manual instantly.

Our customer service e-mail:

aservicemanualpdf@yahoo.com