

KOMATSU

PC95-1 HYDRAULIC EXCAVATOR



SECTION	DESCRIPTION
A-0000	ENGINE
B-0000	ENGINE RELATED PARTS AND ELECTRICAL SYSTEM
C-0000	SWING CIRCLE AND FINAL DRIVE
D-0000	UNDER CARRIAGE
E-0000	CONTROL SYSTEM AND REVOLVING FRAME
F-0000	GUARD AND OPERATOR'S CAB
G-0000	WORK EQUIPMENT CONTROL SYSTEM
H-0000	WORK EQUIPMENT
J-0000	MARK PLATE

SECTION A-0000**ENGINE**

INDEX NO.	DESCRIPTION	FIG	PAGE	SERIAL NO.
1	CYLINDER HEAD	0101	A-0010	
2	ROCKER SHAFT	0111	A-0020	
3	CYLINDER HEAD COVER - LUBRICATING OIL FILTER AND BREATHER	0115	A-0030	
4	INDUCTION AND EXHAUST MANIFOLDS	0131	A-0040	
5	CYLINDER BLOCK	0201	A-0050	
6	TIMING GEAR AND CAMSHAFT	0205	A-0060	
7	LUBRICATING OIL SUMP	0211	A-0070	
8	FLYWHEEL HOUSING - FLYWHEEL AND STARTER RING	0221	A-0080	
9	CRANKSHAFT - PISTONS AND CONNECTING RODS	0231	A-0090	
10	PULLEY, CRANK	0235	A-0100	
11	LUBRICATING OIL PUMP AND DELIVERY HOUSING	0301	A-0110	
12	LUBRICATING OIL FILTER AND INTEGRAL OIL COOLER	0311	A-0120	
13	FUEL INJECTION EQUIPMENT	0401	A-0130	
14	INJECTOR	0402	A-0140	
15	THROTTLE AND STOP CONTROLS	0405	A-0150	
16	FUEL FILTER	0411	A-0160	
17	LOW PRESSURE FUEL SYSTEM	0413	A-0170	
18	PRE-FUEL FILTER	0417	A-0180	
19	FUEL PUMP	0419	A-0190	
20	WATER PUMP - THERMOSTAT AND HEAT EXCHANGER	0501	A-0200	
21	FAN DRIVE	0511	A-0210	
22	ALTERNATOR AND GENERATOR	0601	A-0220	
23	ALTERNATOR	0641	A-0230	
24	STARTER MOTOR AND MOUNTING	0661	A-0240	
25	JOINTS AND GASKETS - TOP SERVICE KIT	0991	A-0250	
26	JOINTS AND GASKETS - BOTTOM SERVICE KIT	0992	A-0260	

FIG 0101

CYLINDER HEAD

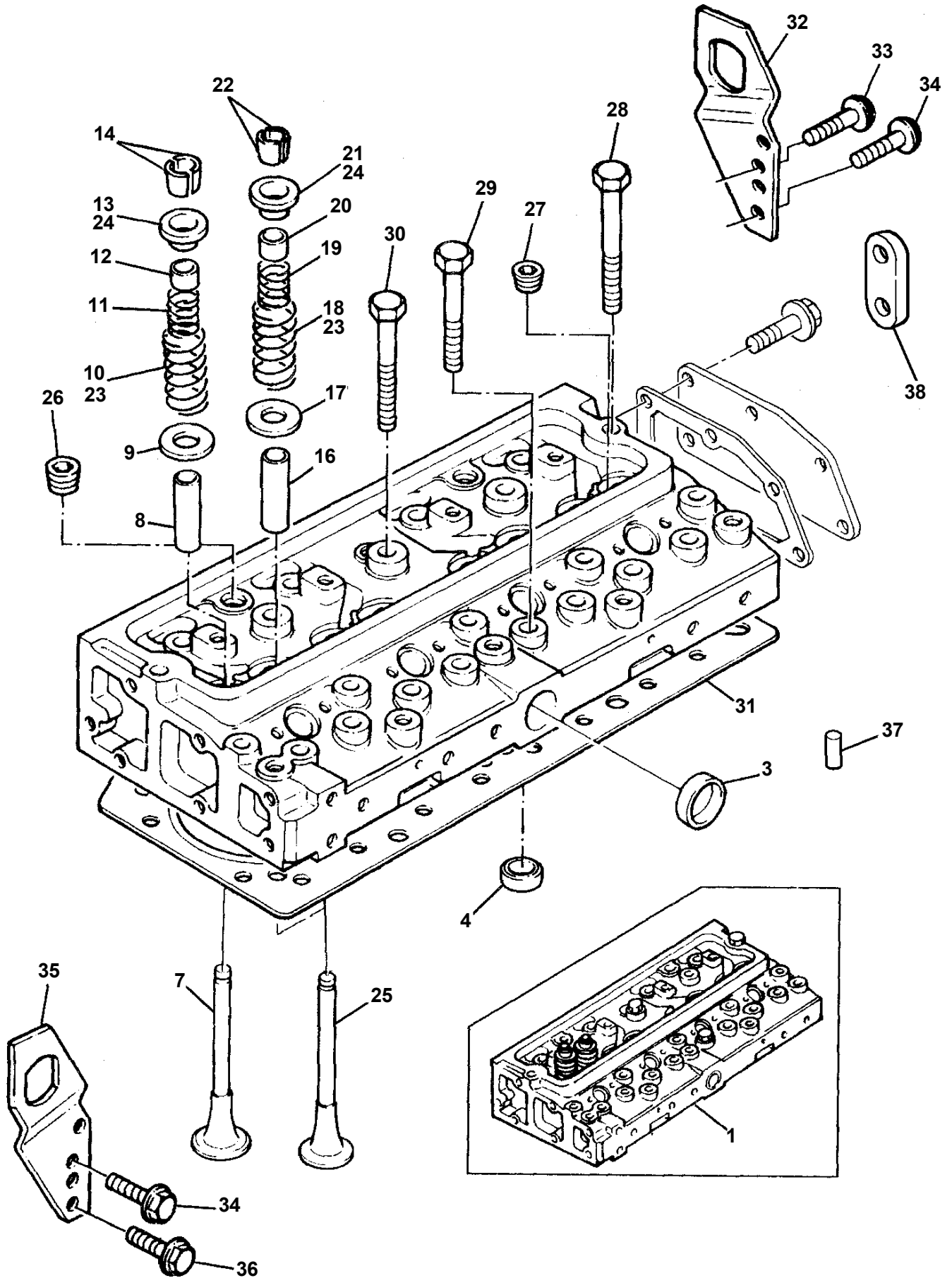


FIG 0101

CYLINDER HEAD

INDEX NO.	PART NO.	DESCRIPTION	Q'TY	SERIAL NO.
	21D-01-10002	ASPIRATED ENGINE	1	ENSN:U748661B--
1	6810-11-1100	KIT, CYLINDER HEAD	1	ENSN:U748661B--
3	6810-21-1160	· PLUG	1	ENSN:U748661B--
4	6810-11-1110	· PLUG	4	ENSN:U748661B--
7	6810-41-4110	· VALVE, INLET	4	ENSN:U748661B--
8	6810-11-1120	· GUIDE	4	ENSN:U748661B--
9	6810-41-4120	· WASHER	4	ENSN:U748661B--
10	*6810-41-4140	· SPRING	4	ENSN:U748661B--
11	*6810-41-4150	· SPRING	4	ENSN:U748661B--
12	6810-41-4160	· SEAL, OIL	4	ENSN:U748661B--
13	*6810-41-4180	· SEAT	4	ENSN:U748661B--
14	6810-41-4190	· PIN, PISTON	4	ENSN:U748661B--
16	6810-11-1130	· GUIDE	4	ENSN:U748661B--
17	6810-41-4120	· WASHER	4	ENSN:U748661B--
18	*6810-41-4140	· SPRING	4	ENSN:U748661B--
19	*6810-41-4150	· SPRING	4	ENSN:U748661B--
20	6810-41-4160	· SEAL, OIL	4	ENSN:U748661B--
21	*6810-41-4180	· SEAT	4	ENSN:U748661B--
22	6810-41-4190	· PIN, PISTON	4	ENSN:U748661B--
23	■6810-41-4130	SPRING	8	ENSN:U748661B--
24	■6810-41-4170	SEAT	8	ENSN:U748661B--
25	6810-41-4210	VALVE, EXHAUST	4	ENSN:U748661B--
26	6810-11-1140	PLUG	2	ENSN:U748661B--
27	6810-11-1150	PLUG	4	ENSN:U748661B--
28	6810-11-1160	SCREW	2	ENSN:U748661B--
29	6810-11-1170	SCREW	8	ENSN:U748661B--
30	6810-11-1180	BOLT	12	ENSN:U748661B--
31	6810-11-1190	GASKET	1	ENSN:U748661B--
32	6810-11-1220	PLATE	1	ENSN:U748661B--
33	6810-71-6150	SCREW	2	ENSN:U748661B--
34	6810-81-6140	SCREW	4	ENSN:U748661B--
35	6810-11-1210	PLATE	1	ENSN:U748661B--
36	6810-21-4180	SCREW	2	ENSN:U748661B--
37	6810-11-1230	PIN	2	ENSN:U748661B--
38	6810-11-3410	SPACER	1	ENSN:U748661B--

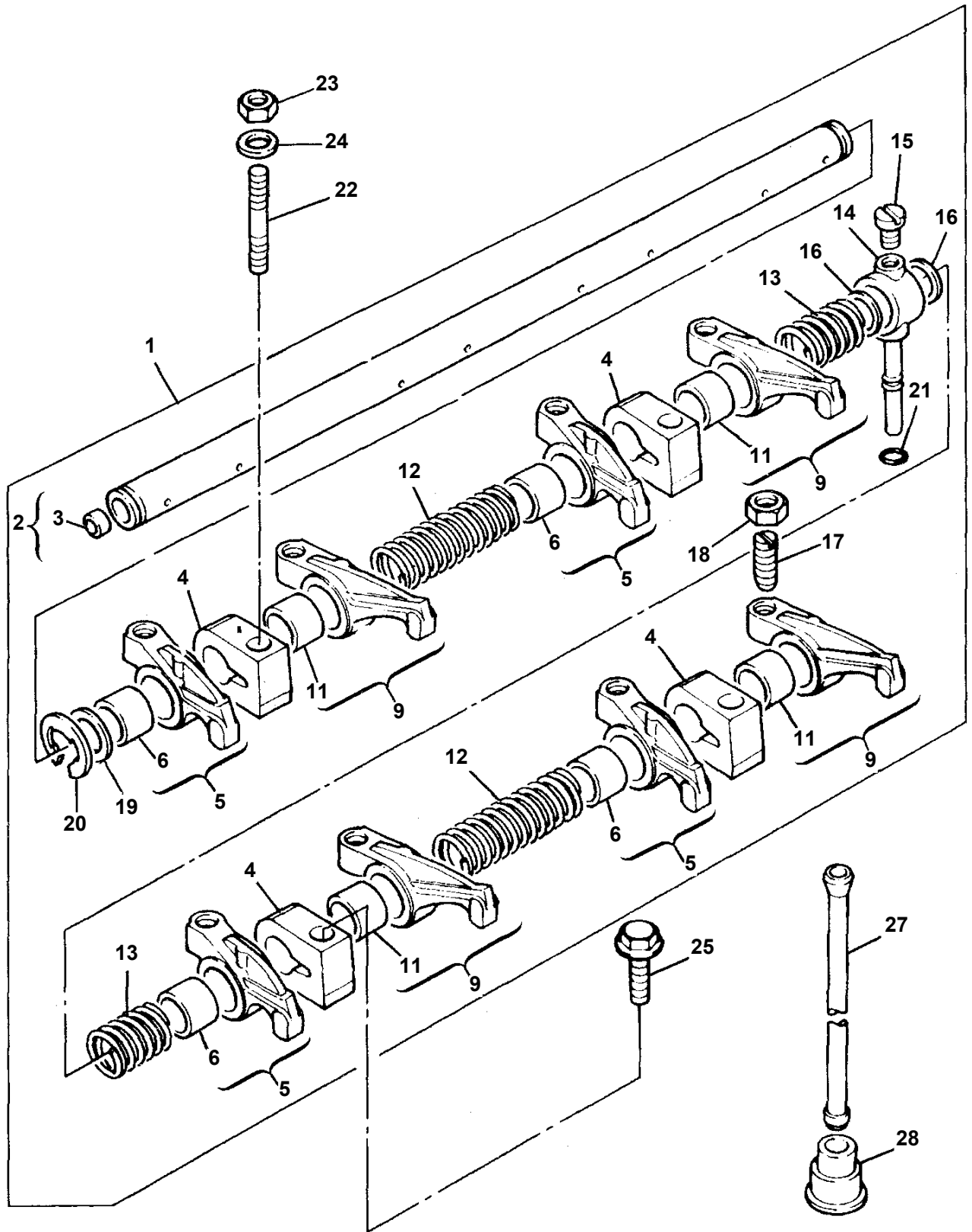


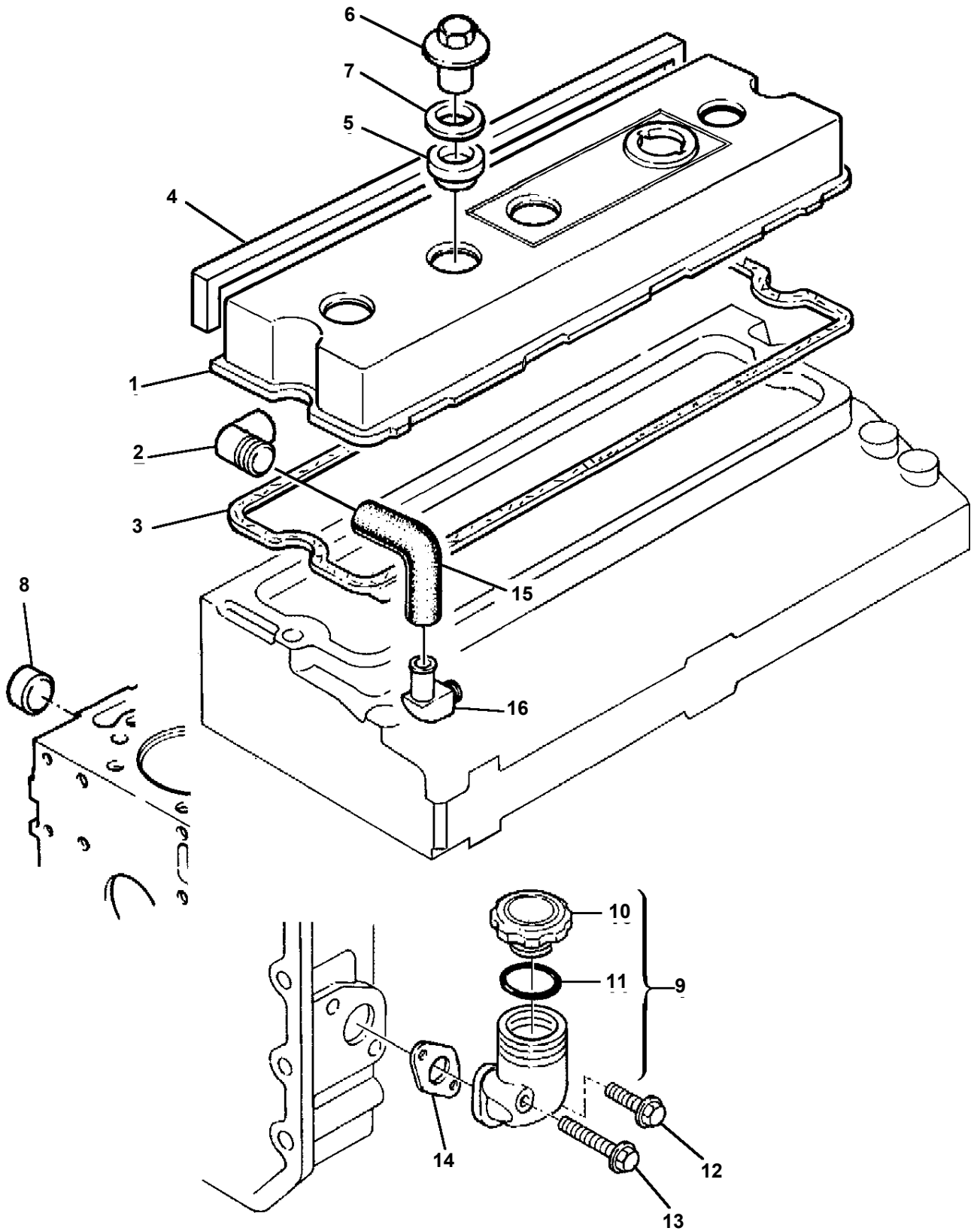
FIG 0111

ROCKER SHAFT

INDEX NO.	PART NO.	DESCRIPTION	Q'TY	SERIAL NO.
1	6810-41-5100	ROCKER SHAFT ASSY.	1	ENSN:U748661B--
2	6810-41-5110	· ROCKER SHAFT	1	ENSN:U748661B--
3	6810-41-5120	· · PLUG	2	ENSN:U748661B--
4	6810-41-5130	· SUPPORT	4	ENSN:U748661B--
5	6810-41-5141	· ROCKER ARM, R.H.	4	ENSN:U748661B--
6	6810-41-5160	· · BUSHING	1	ENSN:U748661B--
9	6810-41-5150	· ROCKER ARM, L.H.	4	ENSN:U748661B--
11	6810-41-5160	· · BUSHING	1	ENSN:U748661B--
12	6810-41-5170	· SPRING	2	ENSN:U748661B--
13	6810-41-5180	· SPRING	2	ENSN:U748661B--
14	6810-41-5190	· CONNECTION	1	ENSN:U748661B--
15	6810-41-5210	· SCREW	1	ENSN:U748661B--
16	6810-41-5220	· SHIM PACK	2	ENSN:U748661B--
17	6810-41-5230	· SCREW	8	ENSN:U748661B--
18	6810-41-5240	· NUT	8	ENSN:U748661B--
19	6810-41-5250	· WASHER	2	ENSN:U748661B--
20	6810-41-5260	· CIRCLIP	2	ENSN:U748661B--
21	6810-41-5270	SLEEVE	1	ENSN:U748661B--
22	6810-41-5280	STUD	3	ENSN:U748661B--
23	6810-41-5290	NUT	3	ENSN:U748661B--
24	6810-41-5320	WASHER	3	ENSN:U748661B--
25	6810-41-5310	SCREW	1	ENSN:U748661B--
27	6810-41-3110	PUSH-ROD	8	ENSN:U748661B--
28	6810-41-3120	TAPPET	8	ENSN:U748661B--

FIG 0115

CYLINDER HEAD COVER - LUBRICATING OIL FILTER AND BREATHER



CYLINDER HEAD COVER - LUBRICATING OIL FILTER AND BREATHER

INDEX NO.	PART NO.	DESCRIPTION	Q'TY	SERIAL NO.
1	6810-11-8112	CYLINDER HEAD COVER	1	ENSN:U748661B--
2	6810-11-8230	· CONNECTION	1	ENSN:U748661B--
3	6810-11-8161	· GASKET	1	ENSN:U748661B--
4	6810-11-8210	· SEAL, OIL	1	ENSN:U748661B--
5	6810-11-8180	SEAL, OIL	3	ENSN:U748661B--
6	6810-11-8170	NUT	3	ENSN:U748661B--
7	6810-11-8220	WASHER	3	ENSN:U748661B--
8	6810-21-1240	PLUG	1	ENSN:U748661B--
9	6810-51-7100	FILLER, ASSY.	1	ENSN:U748661B--
10	6810-51-7150	· PLUG	1	ENSN:U748661B--
11	6810-51-7160	· SEAL, OIL	1	ENSN:U748661B--
12	6810-51-7170	SCREW	1	ENSN:U748661B--
13	6810-51-7140	SCREW	1	ENSN:U748661B--
14	6810-51-7180	GASKET	1	ENSN:U748661B--
15	6810-51-7210	HOSE	1	ENSN:U748661B--
16	6810-51-7190	ELBOW	1	ENSN:U748661B--

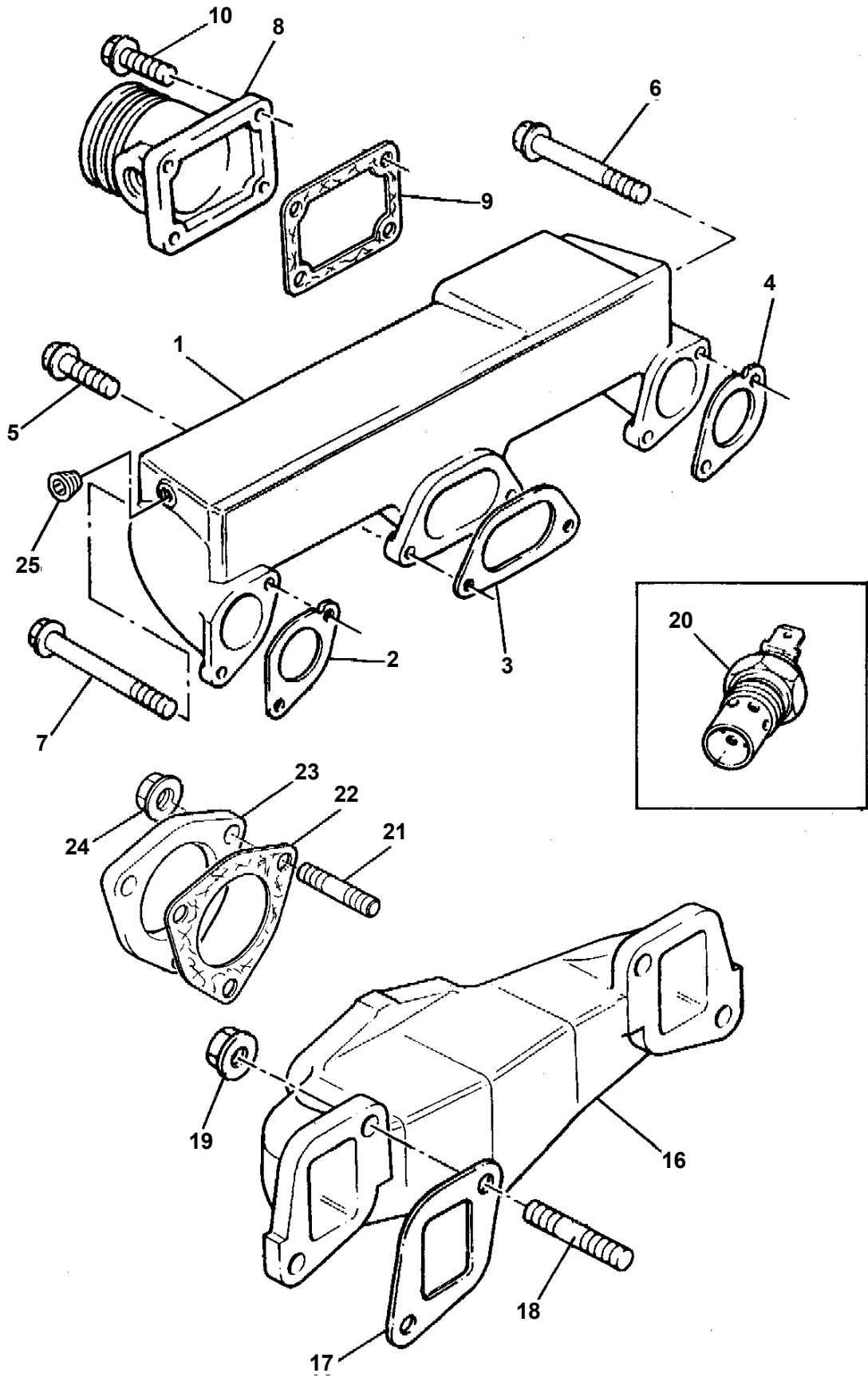


FIG 0131

INDUCTION AND EXHAUST MANIFOLDS

INDEX NO.	PART NO.	DESCRIPTION	Q'TY	SERIAL NO.
1	6810-11-4112	MANIFOLD, INTAKE	1	ENSN:U748661B--
2	6810-11-4120	GASKET	1	ENSN:U748661B--
3	6810-11-4130	GASKET	1	ENSN:U748661B--
4	6810-11-4140	GASKET	1	ENSN:U748661B--
5	6810-11-4150	SCREW	4	ENSN:U748661B--
6	6810-51-5150	SCREW	1	ENSN:U748661B--
7	6810-11-4170	SCREW	1	ENSN:U748661B--
8	6810-11-4180	CONNECTION	1	ENSN:U748661B--
9	6810-11-4190	GASKET	1	ENSN:U748661B--
10	6810-21-3180	BOLT	4	ENSN:U748661B--
16	6810-11-5110	MANIFOLD, EXHAUST	1	ENSN:U748661B--
17	6810-11-5120	GASKET	2	ENSN:U748661B--
18	6810-11-5131	STUD	4	ENSN:U748661B--
19	6810-11-5140	NUT	4	ENSN:U748661B--
20	6810-81-4110	INTAKE HEATER	1	ENSN:U748661B--
21	6810-81-9110	STUD	3	ENSN:U748661B--
22	6810-11-5160	GASKET	1	ENSN:U748661B--
23	6810-11-5150	FLANGE	1	ENSN:U748661B--
24	6810-11-5140	NUT	3	ENSN:U748661B--
25	6810-11-4210	PLUG	1	ENSN:U748661B--

FIG 0201

CYLINDER BLOCK

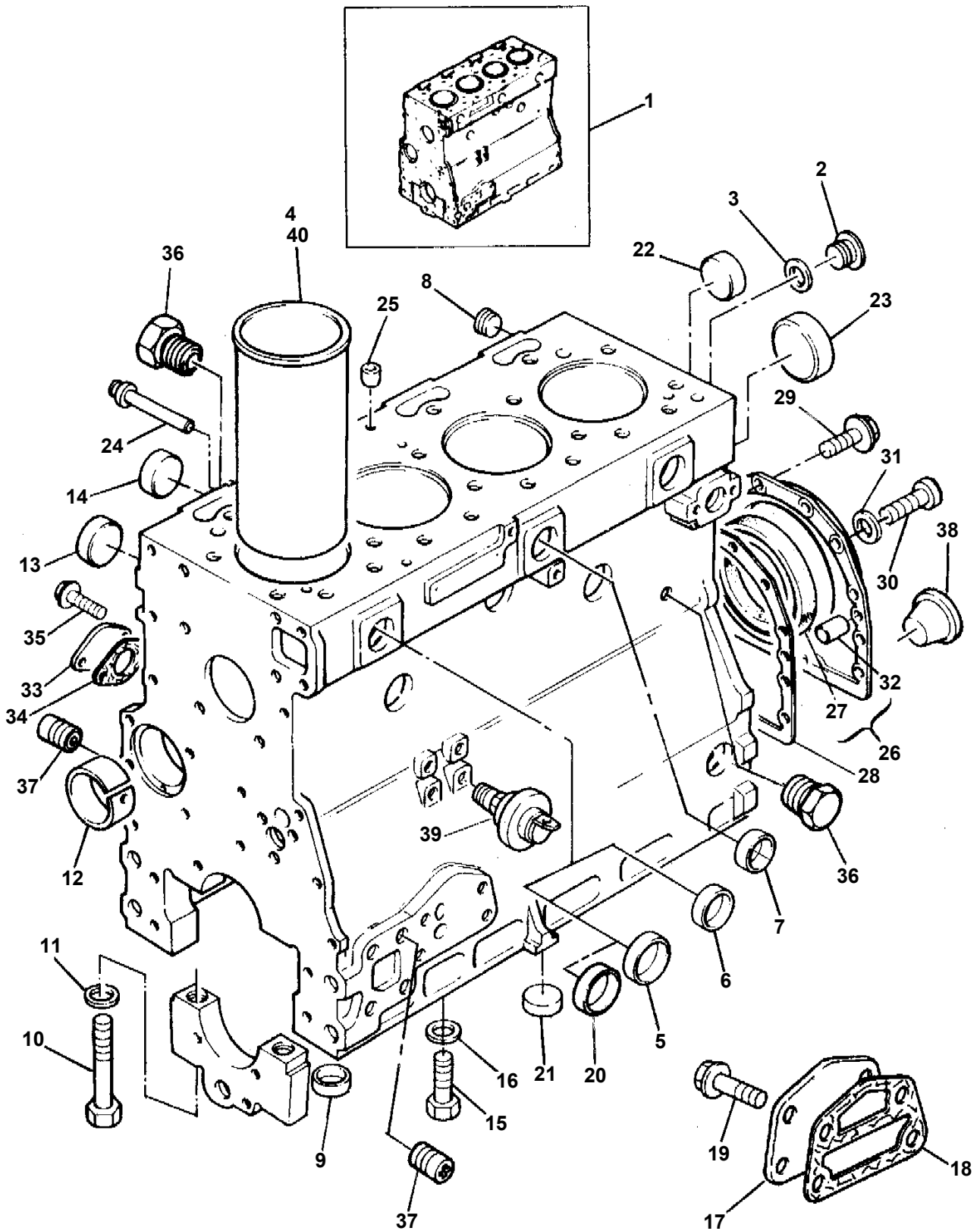


FIG 0201

CYLINDER BLOCK

INDEX NO.	PART NO.	DESCRIPTION	Q'TY	SERIAL NO.
1	6810-21-1100	KIT, CYLINDER BLOCK	1	ENSN:U748661B--
2	6810-21-1120	· PLUG	1	ENSN:U748661B--
3	6810-21-1130	· WASHER	1	ENSN:U748661B--
4	6810-21-1150	· LINER (PRESS FIT)	4	ENSN:U748661B--
5	6810-21-1160	· PLUG	5	ENSN:U748661B--
6	6810-21-1170	· PLUG	2	ENSN:U748661B--
7	6810-21-1160	· PLUG	1	ENSN:U748661B--
8	6810-21-1180	· PLUG	1	ENSN:U748661B--
9	6810-21-1190	· SLEEVE, GOVERNOR	10	ENSN:U748661B--
10	6810-21-1210	· SCREW	10	ENSN:U748661B--
11	6810-21-1220	· WASHER	10	ENSN:U748661B--
12	6810-21-1230	· BUSHING	1	ENSN:U748661B--
13	6810-21-1240	· PLUG	4	ENSN:U748661B--
14	6810-21-1240	· PLUG	3	ENSN:U748661B--
15	6810-21-1410	· SCREW	4	ENSN:U748661B--
16	6810-21-1420	· SPACER	4	ENSN:U748661B--
17	6810-21-1520	· PLATE	1	ENSN:U748661B--
18	6810-51-5190	· GASKET	1	ENSN:U748661B--
19	6810-81-6140	· SCREW	1	ENSN:U748661B--
20	6810-21-1530	· PLUG	1	ENSN:U748661B--
21	6810-21-1270	PLUG	1	ENSN:U748661B--
	6810-21-1520	PLATE	1	ENSN:U748661B--
22	6810-21-1240	PLUG	2	ENSN:U748661B--
23	6810-21-1280	PLUG	1	ENSN:U748661B--
24	6810-21-1250	PLUG	1	ENSN:U748661B--
25	6810-21-1260	PLUG	1	ENSN:U748661B--
26	6810-21-1291	HOUSING	1	ENSN:U748661B--
27	6810-21-1310	· SEAL, OIL	1	ENSN:U748661B--
28	6810-21-3311	GASKET	1	ENSN:U748661B--
29	6810-21-1330	BOLT	12	ENSN:U748661B--
30	6810-21-1340	SCREW	2	ENSN:U748661B--
	6810-21-1510	SCREW	2	ENSN:U748661B--
31	6810-21-1350	WASHER	2	ENSN:U748661B--
32	6810-21-1360	DOWEL	2	ENSN:U748661B--
33	6810-21-1370	PLATE	1	ENSN:U748661B--
34	6810-21-1380	GASKET	1	ENSN:U748661B--
35	6810-21-1390	SCREW	2	ENSN:U748661B--
36	6810-21-1460	PLUG	2	ENSN:U748661B--
37	6810-21-1430	PLUG	4	ENSN:U748661B--
38	6810-21-1450	PLUG	10	ENSN:U748661B--
39	6810-51-4170	SWITCH	1	ENSN:U748661B--
40	6810-21-1140	LINER (SLIP FIT)	4	ENSN:U748661B--

FIG 0205

TIMING GEAR AND CAMSHAFT

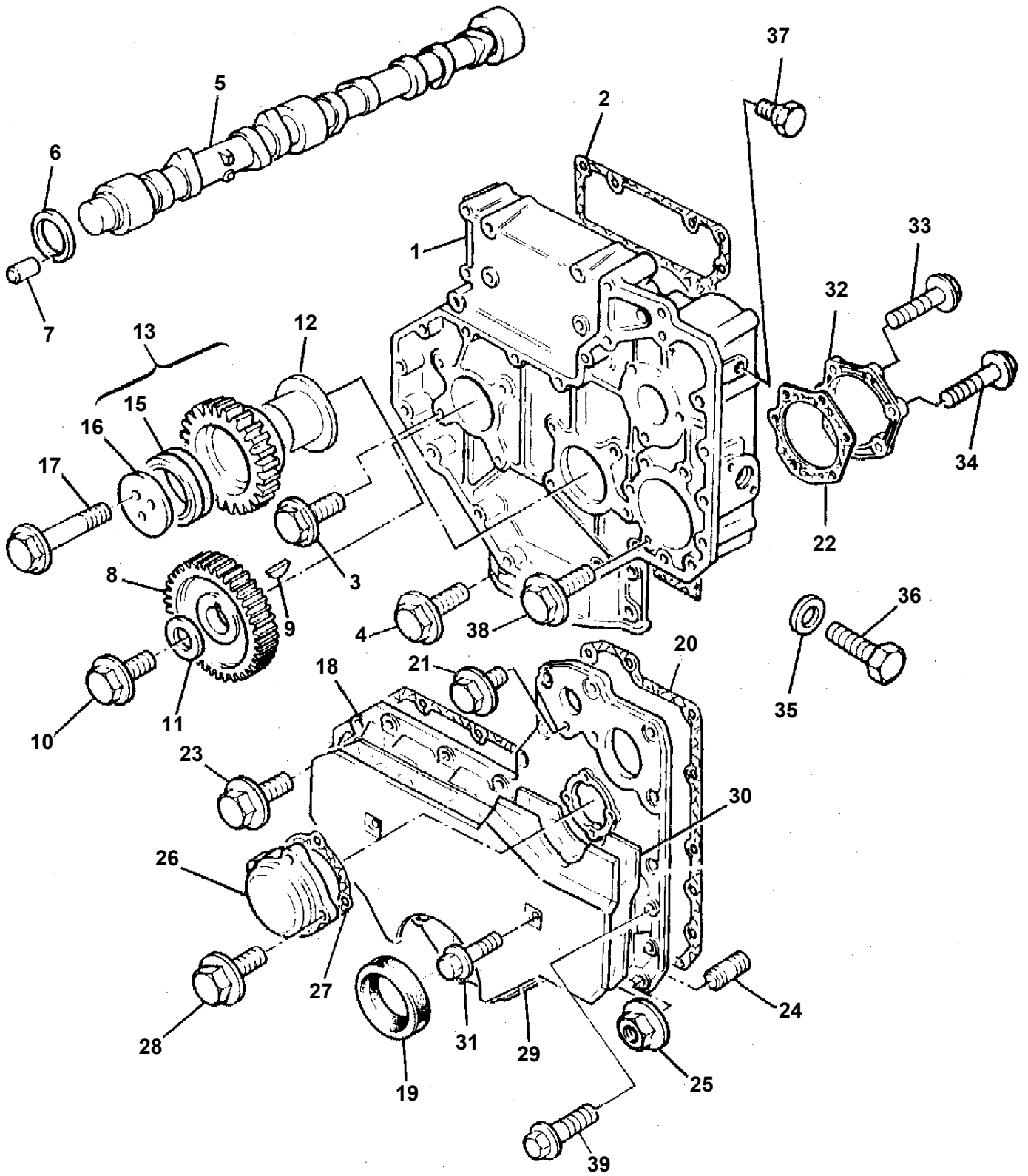


FIG 0205

TIMING GEAR AND CAMSHAFT

INDEX NO.	PART NO.	DESCRIPTION	Q'TY	SERIAL NO.
1	6810-21-3111	TIMING GEAR CASE	1	ENSN:U748661B--
2	6810-21-3290	GASKET	1	ENSN:U748661B--
3	6810-21-1330	BOLT	8	ENSN:U748661B--
4	6810-21-3130	SCREW	4	ENSN:U748661B--
5	6810-41-1110	CAMSHAFT	1	ENSN:U748661B--
6	6810-41-1120	WASHER	1	ENSN:U748661B--
7	6810-41-1130	PIN	1	ENSN:U748661B--
8	6810-41-1141	GEAR, CAMSHAFT	1	ENSN:U748661B--
9	6810-31-1120	KEY	1	ENSN:U748661B--
10	6810-41-1150	SCREW	1	ENSN:U748661B--
11	6810-41-1160	WASHER	1	ENSN:U748661B--
12	6810-31-6110	HUB	1	ENSN:U748661B--
13	6810-31-6120	GEAR	1	ENSN:U748661B--
15	6810-31-6130	· BUSHING	1	ENSN:U748661B--
16	6810-31-6140	PLATE	1	ENSN:U748661B--
17	6810-31-6150	SCREW	3	ENSN:U748661B--
18	6810-21-3140	TIMING GEAR COVER	1	ENSN:U748661B--
19	6810-21-3150	· SEAL, OIL	1	ENSN:U748661B--
20	6810-21-3160	GASKET	1	ENSN:U748661B--
21	6810-21-3170	SCREW	6	ENSN:U748661B--
22	6810-21-9120	GASKET	1	ENSN:U748661B--
23	6810-51-1170	SCREW	6	ENSN:U748661B--
24	6810-71-1160	STUD	2	ENSN:U748661B--
25	6810-21-3210	NUT	2	ENSN:U748661B--
26	6810-21-3220	INSPECTION COVER	1	ENSN:U748661B--
27	6810-51-7130	GASKET	1	ENSN:U748661B--
28	6810-21-3240	SCREW	4	ENSN:U748661B--
29	6810-21-3251	PROTECTION	1	ENSN:U748661B--
30	6810-21-3260	DAMPER	1	ENSN:U748661B--
31	6810-21-3270	SCREW	2	ENSN:U748661B--
32	6810-21-9110	PLATE	1	ENSN:U748661B--
33	6810-21-3320	SCREW	5	ENSN:U748661B--
34	6810-71-6150	SCREW	1	ENSN:U748661B--
35	6810-21-9140	WASHER	1	ENSN:U748661B--
36	6810-21-9130	SCREW	1	ENSN:U748661B--
37	6810-21-3280	PLUG	1	ENSN:U748661B--
38	6810-21-4180	SCREW	1	ENSN:U748661B--
39	6810-21-3180	BOLT	1	ENSN:U748661B--

FIG 0211

LUBRICATING OIL SUMP

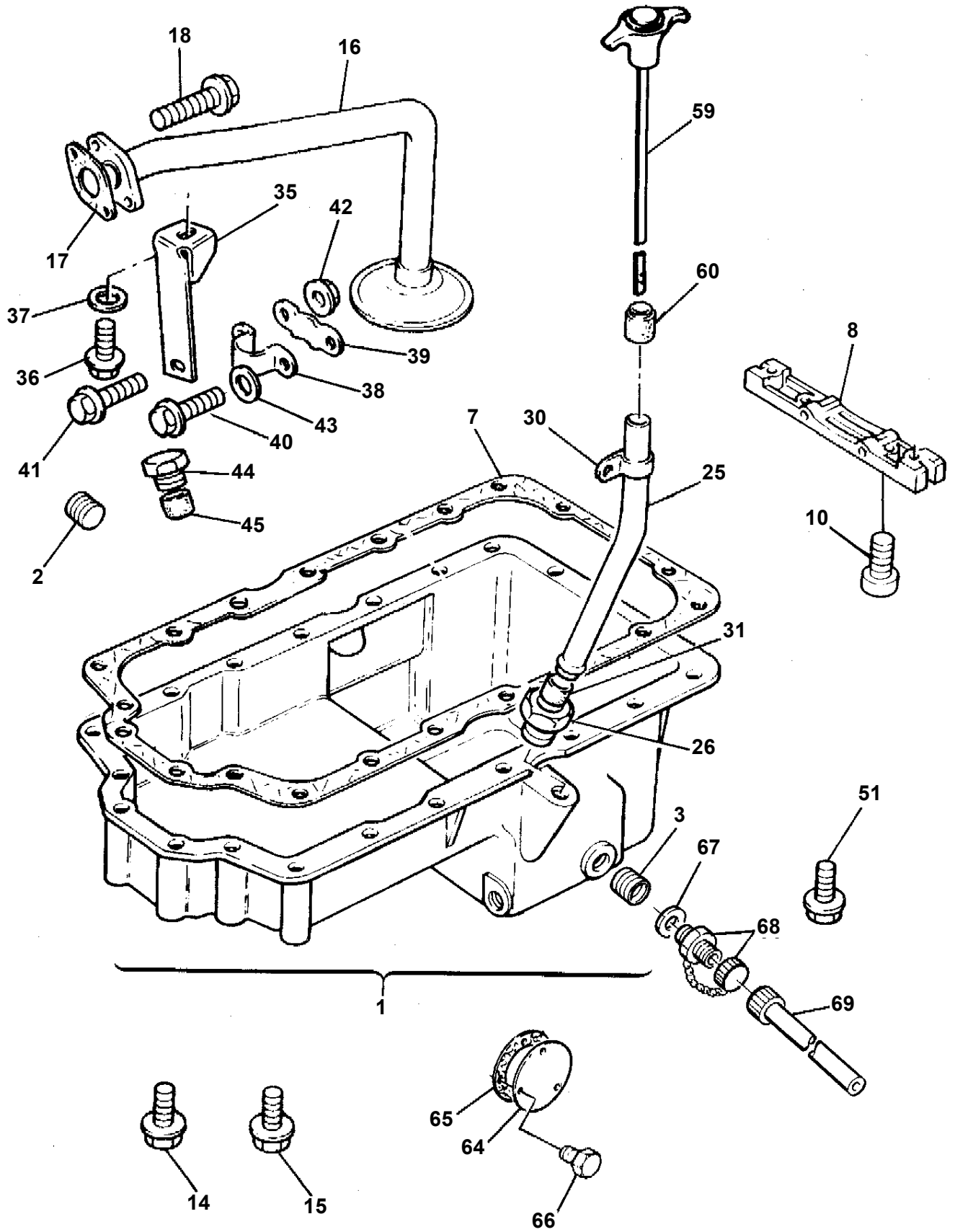


FIG 0211

LUBRICATING OIL SUMP

INDEX NO.	PART NO.	DESCRIPTION	Q'TY	SERIAL NO.
1	6810-21-5100	LUBRICATING OLIO SUMP	1	ENSN:U748661B--
2	6810-21-5290	· INSERT	3	ENSN:U748661B--
3	6810-21-5110	· INSERT	2	ENSN:U748661B--
7	6810-21-5140	GASKET	1	ENSN:U748661B--
8	6810-21-5151	BRIDGE PIECE	1	ENSN:U748661B--
10	6810-21-5160	SCREW	2	ENSN:U748661B--
14	6810-21-5170	SCREW	6	ENSN:U748661B--
15	6810-21-1330	BOLT	12	ENSN:U748661B--
16	6810-51-6111	PIPE, OIL	1	ENSN:U748661B--
17	6810-51-6120	GASKET	1	ENSN:U748661B--
18	6810-51-6130	SCREW	2	ENSN:U748661B--
25	6810-21-5180	PIPE	1	ENSN:U748661B--
26	6810-21-5190	· NUT	1	ENSN:U748661B--
30	6810-21-6110	· CLAMP	1	ENSN:U748661B--
31	6810-21-5210	COTTER	1	ENSN:U748661B--
35	6810-21-6120	SUPPORT	1	ENSN:U748661B--
36	6810-21-6130	SCREW	1	ENSN:U748661B--
37	6810-21-6140	WASHER	1	ENSN:U748661B--
38	6810-21-5220	CLAMP	1	ENSN:U748661B--
39	6810-21-5230	PLATE	1	ENSN:U748661B--
40	6810-21-3270	SCREW	1	ENSN:U748661B--
41	6810-21-3270	SCREW	1	ENSN:U748661B--
42	6810-21-5240	NUT	2	ENSN:U748661B--
43	6810-21-5250	WASHER	1	ENSN:U748661B--
44	6810-21-5261	PLUG	1	ENSN:U748661B--
45	6810-21-5210	COTTER	1	ENSN:U748661B--
51	6810-21-5270	SCREW	2	ENSN:U748661B--
59	6810-21-5280	DIPSTICK	1	ENSN:U748661B--
60	6810-21-6210	· SEAL, OIL	1	ENSN:U748661B--
64	6810-21-6180	PLATE	1	ENSN:U748661B--
65	6810-21-6190	GASKET	1	ENSN:U748661B--
66	6810-21-3270	SCREW	3	ENSN:U748661B--
67	21D-09-86240	GASKET (ONLY FOR TBG)	1	SN:5005145--
68	21D-01-11160	VALVE (ONLY FOR TBG)	1	SN:5005145--
69	21D-01-11170	UNION (ONLY FOR TBG)	1	SN:5005145--

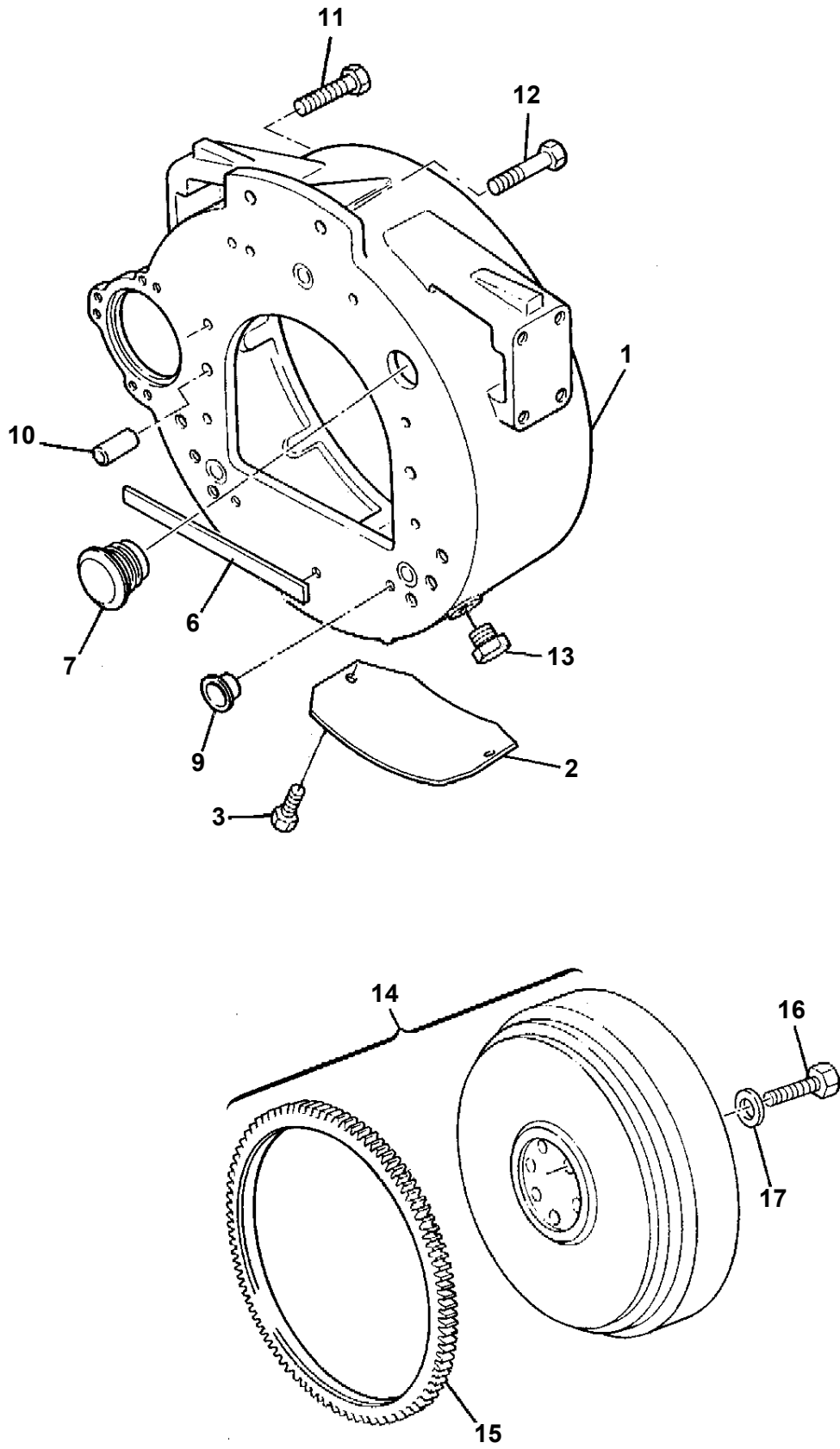


FIG 0221

FLYWHEEL HOUSING - FLYWHEEL AND STARTER RING

INDEX NO.	PART NO.	DESCRIPTION	Q'TY	SERIAL NO.
1	6810-21-4110	HOUSING, FLYWHEEL	1	ENSN:U748661B--
2	6810-21-4120	PLATE	1	ENSN:U748661B--
3	6810-21-4130	SCREW	2	ENSN:U748661B--
6	6810-21-4140	COVER	1	ENSN:U748661B--
7	6810-21-4150	PLUG	1	ENSN:U748661B--
9	6810-21-4160	PLUG	3	ENSN:U748661B--
10	6810-21-4170	PIN	2	ENSN:U748661B--
11	6810-21-4180	SCREW	6	ENSN:U748661B--
12	6810-41-1150	SCREW	2	ENSN:U748661B--
13	6810-21-3280	PLUG	1	ENSN:U748661B--
14	6810-31-4100	FLYWHEEL, ASSY.	1	ENSN:U748661B--
15	6810-31-4110	· GEAR, STARTER RING	1	ENSN:U748661B--
16	6810-31-4120	SCREW	6	ENSN:U748661B--
17	6810-31-4130	WASHER	6	ENSN:U748661B--

FIG 0231

CRANKSHAFT - PISTONS AND CONNECTING RODS

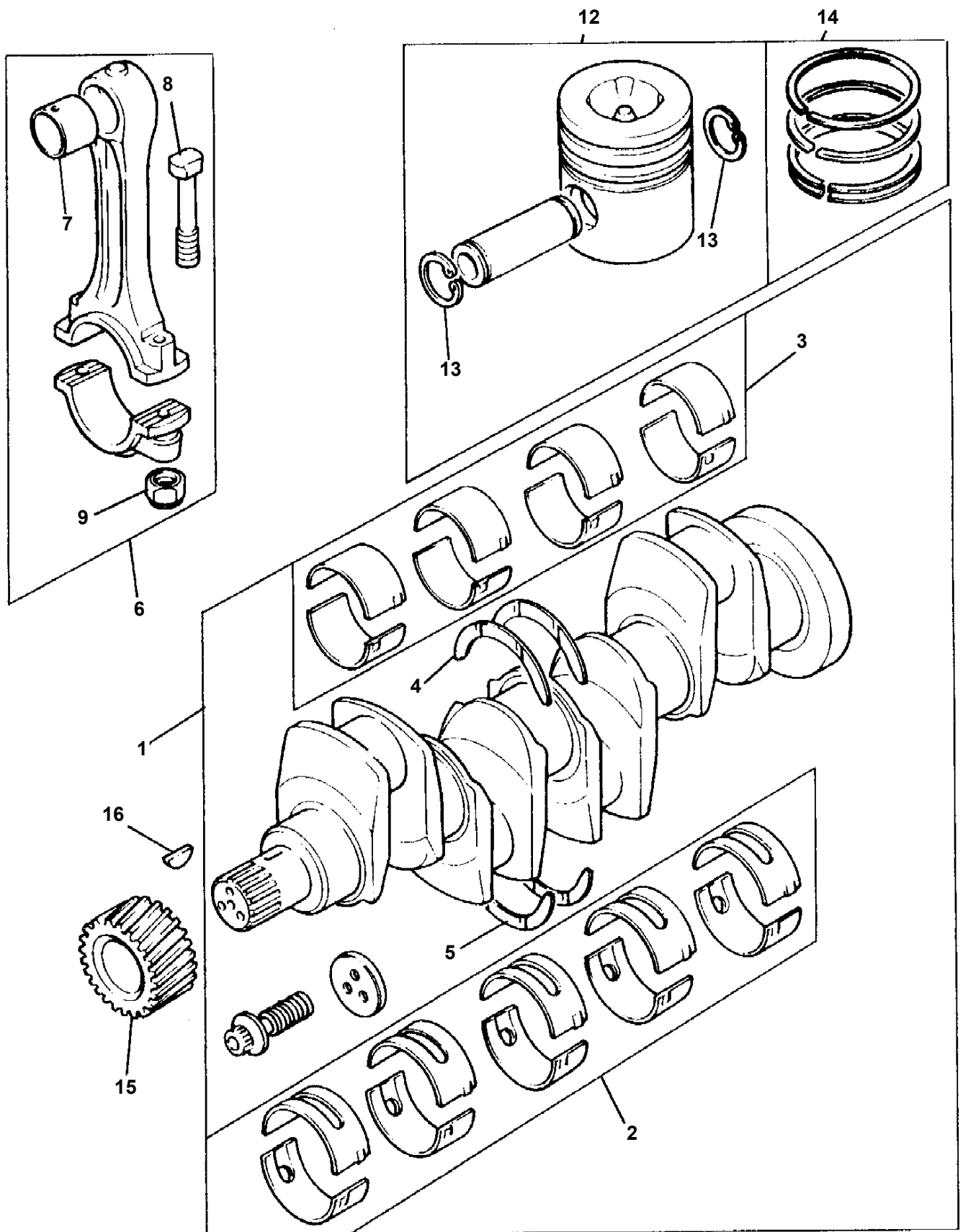


FIG 0231

CRANKSHAFT - PISTONS AND CONNECTING RODS

INDEX NO.	PART NO.	DESCRIPTION	Q'TY	SERIAL NO.
1	6810-31-1100	CRANKSHAFT, ASSY. STANDARD	1	ENSN:U748661B-- ENSN:U748661B--
2	6810-21-8110	· KIT, BEARING UNDERSIZE	1	ENSN:U748661B-- ENSN:U748661B--
2	6810-21-8120	· KIT, BEARING (--0.25 mm)	AR	ENSN:U748661B--
	6810-21-8130	· KIT, BEARING (--0.50 mm)	AR	ENSN:U748661B--
	6810-21-8140	· KIT, BEARING (--0.75 mm) STANDARD	AR	ENSN:U748661B-- ENSN:U748661B--
3	6810-21-8150	· KIT, BEARING UNDERSIZE	1	ENSN:U748661B-- ENSN:U748661B--
3	6810-21-8160	· KIT, BEARING (--0.25 mm)	AR	ENSN:U748661B--
	6810-21-8170	· KIT, BEARING (--0.50 mm)	AR	ENSN:U748661B--
	6810-21-8180	· KIT, BEARING (--0.75 mm) STANDARD	AR	ENSN:U748661B-- ENSN:U748661B--
4	6810-21-8190	· THRUST WASHER OVERSIZE	2	ENSN:U748661B-- ENSN:U748661B--
4	6810-21-8210	· THRUST WASHER (+0.19 mm) STANDARD	AR	ENSN:U748661B-- ENSN:U748661B--
5	6810-21-8220	· THRUST WASHER OVERSIZE	2	ENSN:U748661B-- ENSN:U748661B--
5	6810-21-8230	· THRUST WASHER (+0.19 mm)	AR	ENSN:U748661B--
6	6810-31-3110	CONNECTING ROD, ASSY.	4	ENSN:U748661B--
7	6810-31-3120	· BUSHING	1	ENSN:U748661B--
8	6810-31-3130	· SCREW	2	ENSN:U748661B--
9	6810-31-3140	· NUT	2	ENSN:U748661B--
12	6810-31-2140	KIT, PISTON	1	ENSN:U748661B--
13	6810-31-2120	· CIRCLIP	2	ENSN:U748661B--
14	6810-31-2150	RING KIT	4	ENSN:U748661B--
15	6810-31-1110	GEAR, CRANKSHAFT	1	ENSN:U748661B--
16	6810-31-1120	KEY	1	ENSN:U748661B--

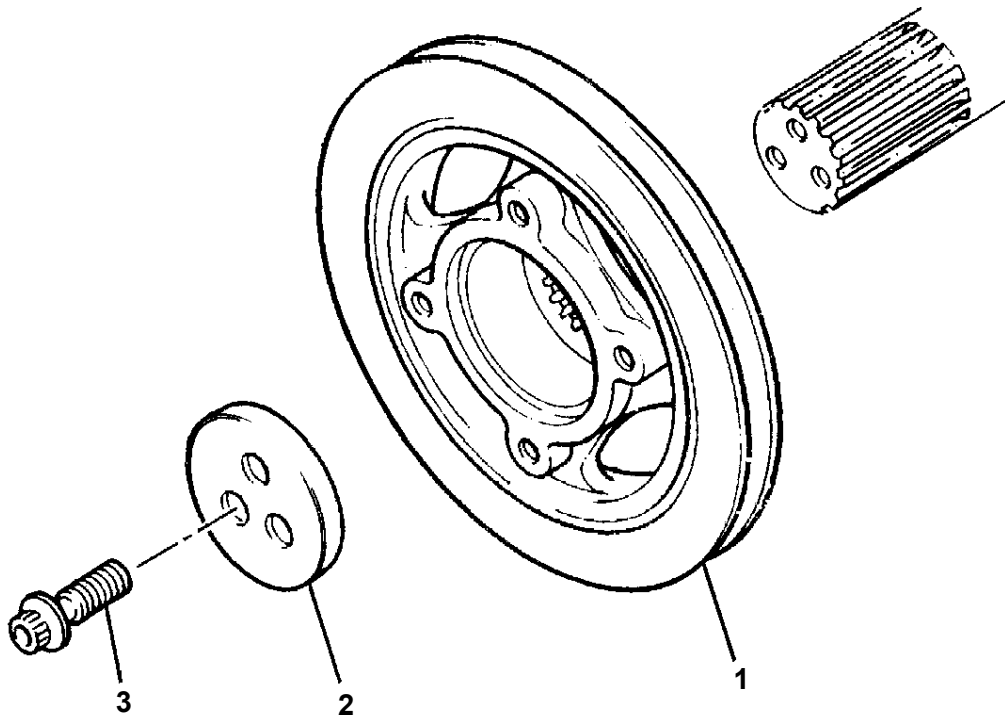


FIG 0235**PULLEY**

INDEX NO.	PART NO.	DESCRIPTION	Q'TY	SERIAL NO.
1	6810-31-1130	PULLEY, CRANK SHAFT	1	ENSN:U748661B--
2	6810-31-1140	FLANGE	1	ENSN:U748661B--
3	6810-31-1150	SCREW	3	ENSN:U748661B--

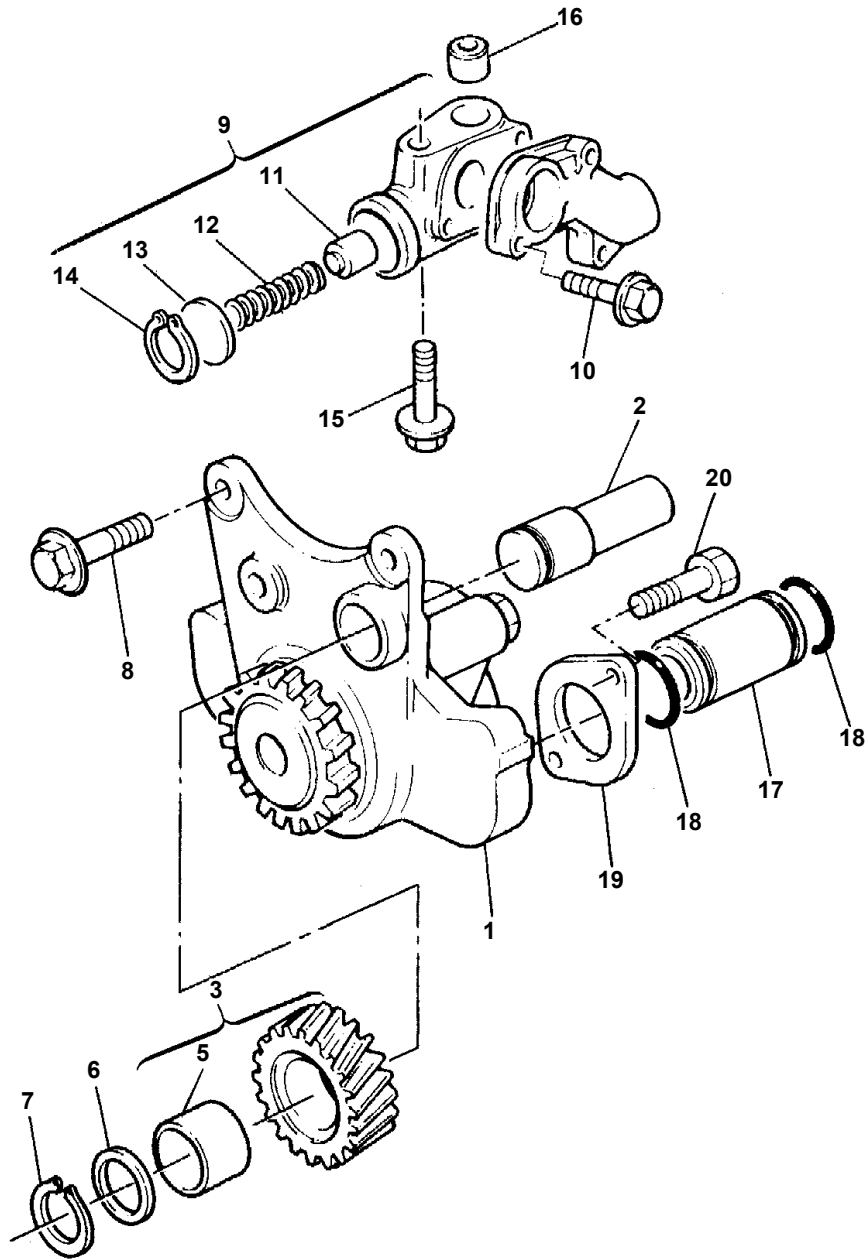


FIG 0301

LUBRICATING OIL PUMP AND DELIVERY HOUSING

INDEX NO.	PART NO.	DESCRIPTION	Q'TY	SERIAL NO.
1	6810-51-1110	OIL PUMP	1	ENSN:U748661B--
2	6810-51-1120	SHAFT	1	ENSN:U748661B--
3	6810-51-1130	IDLE GEAR, ASSY.	1	ENSN:U748661B--
5	6810-51-1140	· BUSHING	1	ENSN:U748661B--
6	6810-51-1150	WASHER	1	ENSN:U748661B--
7	6810-51-1160	CIRCLIP	1	ENSN:U748661B--
8	6810-51-1170	· SCREW	3	ENSN:U748661B--
9	6810-51-4100	· SAFETY VALVE	1	ENSN:U748661B--
10	6810-51-4110	· SCREW	3	ENSN:U748661B--
11	6810-51-4120	· VALVE	1	ENSN:U748661B--
12	6810-51-4130	· SPRING	1	ENSN:U748661B--
13	6810-51-4140	SEAT	1	ENSN:U748661B--
14	6810-51-4150	CIRCLIP	1	ENSN:U748661B--
15	6810-51-4160	SCREW	1	ENSN:U748661B--
16	6810-51-1240	SLEEVE	1	ENSN:U748661B--
17	6810-51-1180	PIPE, OIL	1	ENSN:U748661B--
18	6810-51-1190	O-RING	2	ENSN:U748661B--
19	6810-51-1210	FLANGE	1	ENSN:U748661B--
20	6810-21-3180	BOLT	2	ENSN:U748661B--

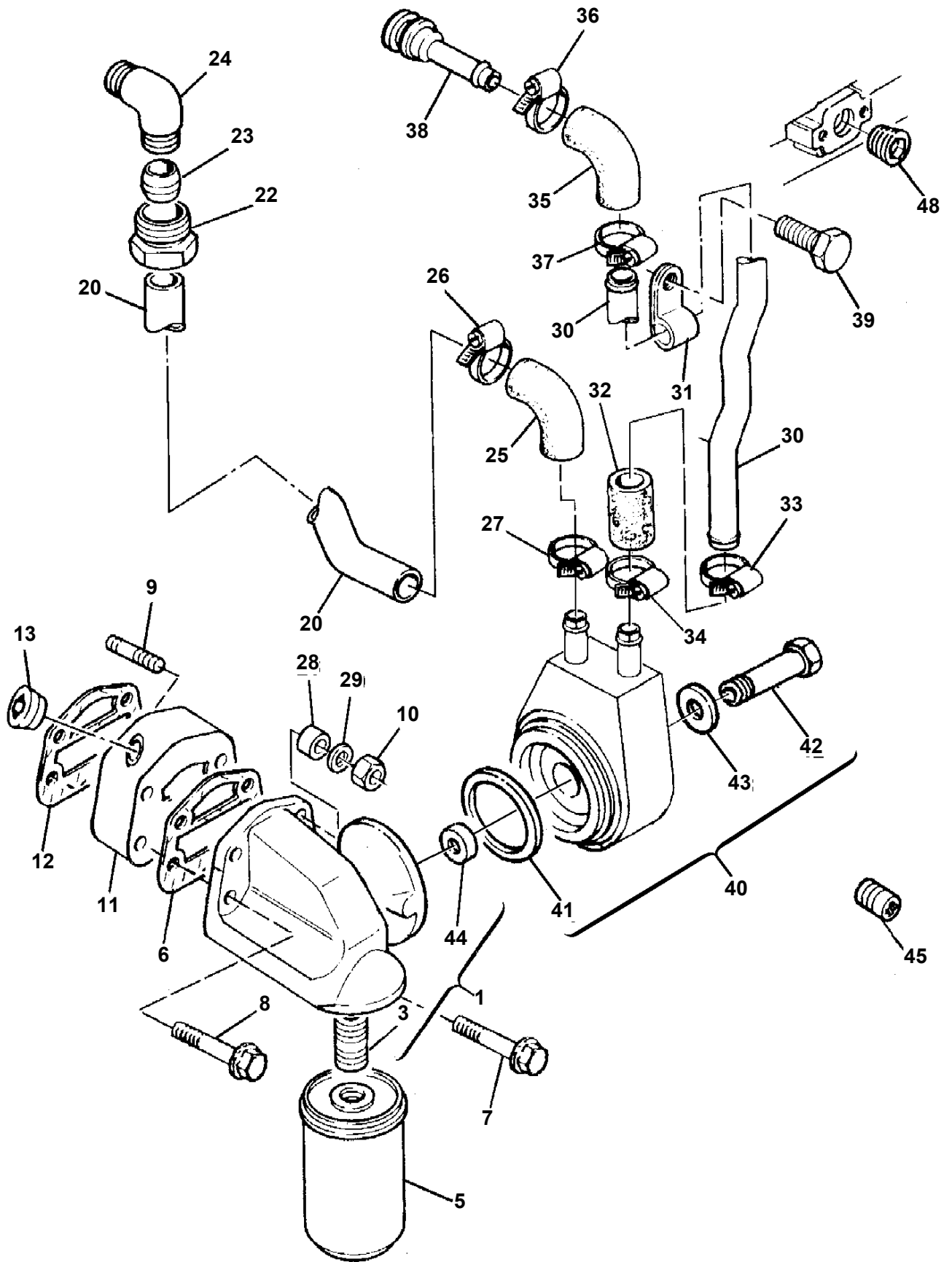


FIG 0311

LUBRICATING OIL FILTER AND INTEGRAL OIL COOLER

INDEX NO.	PART NO.	DESCRIPTION	Q'TY	SERIAL NO.
1	6810-51-5111	CYLINDER HEAD	1	ENSN:U748661B--
3	6810-51-5121	· UNION	1	ENSN:U748661B--
5	6810-51-5130	OIL FILTER	1	ENSN:U748661B--
6	6810-51-5140	GASKET, SEAL	1	ENSN:U748661B--
7	6810-51-5151	SCREW	1	ENSN:U748661B--
8	6810-51-5160	SCREW	2	ENSN:U748661B--
9	6810-51-5170	STUD	1	ENSN:U748661B--
10	6810-51-5210	NUT	1	ENSN:U748661B--
11	6810-51-5180	ADAPTOR	1	ENSN:U748661B--
12	6810-51-5140	GASKET, SEAL	1	ENSN:U748661B--
13	6810-11-1150	PLUG	1	ENSN:U748661B--
20	6810-61-5110	PIPE, OIL	1	ENSN:U748661B--
22	6810-61-5120	NUT	1	ENSN:U748661B--
23	6810-61-5130	SLEEVE	1	ENSN:U748661B--
24	6810-61-5140	ELBOW	1	ENSN:U748661B--
25	6810-61-5150	HOSE	1	ENSN:U748661B--
26	6810-11-8140	CLAMP	1	ENSN:U748661B--
27	6810-11-8140	CLAMP	1	ENSN:U748661B--
28	6810-61-5260	SPACER	1	ENSN:U748661B--
29	6810-61-5160	WASHER	1	ENSN:U748661B--
30	6810-61-5170	PIPE, OIL	1	ENSN:U748661B--
31	6810-61-5180	· HOSE-CLAMP	1	ENSN:U748661B--
32	6810-61-5240	PIPE	1	ENSN:U748661B--
33	6810-11-8140	CLAMP	1	ENSN:U748661B--
34	6810-11-8140	CLAMP	1	ENSN:U748661B--
35	6810-61-5190	HOSE	1	ENSN:U748661B--
36	6810-11-8140	CLAMP	1	ENSN:U748661B--
37	6810-11-8140	CLAMP	1	ENSN:U748661B--
38	6810-61-5210	ADAPTOR	1	ENSN:U748661B--
39	6810-21-6130	SCREW	1	ENSN:U748661B--
40	6810-61-2111	OIL COOLER	1	ENSN:U748661B--
41	6810-61-2120	· GASKET	1	ENSN:U748661B--
42	6810-61-2131	· SCREW	1	ENSN:U748661B--
43	6810-61-2160	· GASKET	1	ENSN:U748661B--
44	6810-11-3140	SEAL, OIL	1	ENSN:U748661B--
45	6810-61-5250	PLUG	2	ENSN:U748661B--
48	6810-21-1180	PLUG	1	ENSN:U748661B--



Download the full PDF manual instantly.

Our customer service e-mail:

aservicemanualpdf@yahoo.com