

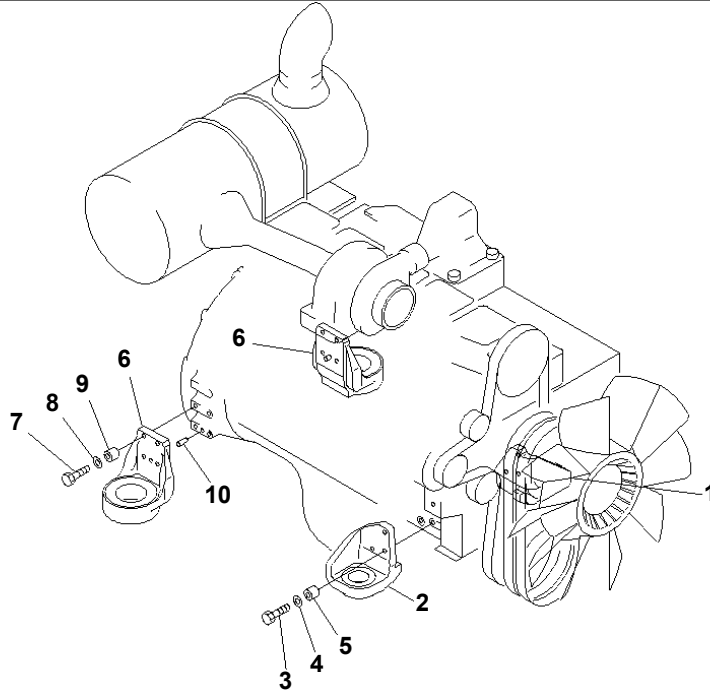
**PC200LC-6 S/N 80001-UP (Overseas Version)**  
**PC200LC-6 S/N 80001-UP (Overseas Version)**

Item	Part Name
	S6D102E-1C-6C S/N 26200163-UP
	SAA6D95LE-1A S/N 150915-UP
	S6D95L-1MM S/N 106426-UP
B0	ENGINE RELATED PARTS
C0	COOLING SYSTEM
D0	FUEL TANK AND RELATED PARTS
E0	ELECTRICAL SYSTEM
H0	HYDRAULIC SYSTEM
J0	MAIN/REVOLVING FRAME AND RELATED PARTS
K0	OPERATOR'S COMPARTMENT AND CONTROL SYSTEM
M0	GUARD
N0	SWING CIRCLE AND RELATED PARTS
P0	TRAVEL AND LOWER PIPING
R0	UNDER CARRIAGE
T0	WORK EQUIPMENT
U0	MARKS AND PLATES
V0	ACCESSORY
W0	MISCELLANEOUS
Y0	SERVICE KIT AND COMPONENT PARTS

PC200LC-6 S/N 80001-UP (Overseas Version)

ENGINE RELATED PARTS

Item	Part Name	Qty
10	ENGINE RELATED PARTS (BRACKET)(#96514-106005)	1
20	ENGINE MOUNT(#80001-91086)	1
30	ENGINE MOUNT(#91087-106005)	1
40	ENGINE MOUNT(#106006-107551)	1
50	ENGINE MOUNT(#107552-110539)	1
60	ENGINE MOUNT(#110540-)	1
70	AIR CLEANER CONNECTION (FOR SINGLE ELEMENT)(#80001-94998)	1
80	AIR CLEANER CONNECTION (FOR SINGLE ELEMENT)(#94999-96513)	1
90	AIR CLEANER CONNECTION (FOR DOUBLE ELEMENT)(#80001-94998)	1
100	AIR CLEANER CONNECTION (FOR DOUBLE ELEMENT)(#94999-96513)	1
110	AIR CLEANER CONNECTION (FOR DOUBLE ELEMENT)(#96514-)	1
120	FUEL CONTROL(#80001-94998)	1
130	FUEL CONTROL(#94999-96513)	1
140	FUEL CONTROL(#96514-)	1
150	DAMPER(#80001-110274)	1

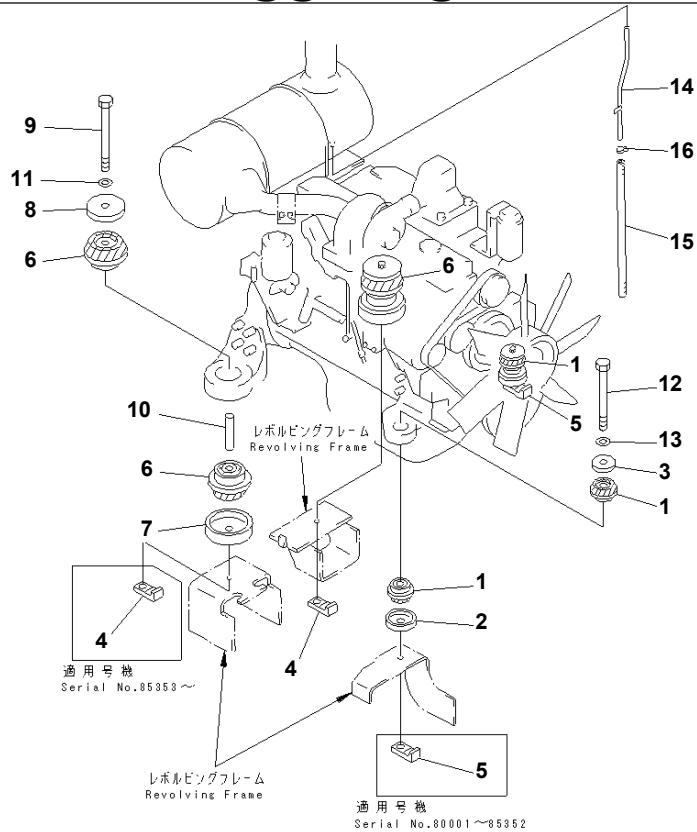


PC200LC-6 S/N 8001-UP (Overseas Version)  
**ENGINE RELATED PARTS (BRACKET)(#96514-106005)**

Item	Part No.	Part Name	Qty	Serial No.
1	20Y-01-29231	BRACKET,L.H.	1	96514-@
2	20Y-01-29241	BRACKET,R.H.	1	96514-@
3	01010-81265	BOLT	6	96514-@
4	01643-31232	WASHER	6	96514-@
5	20Y-01-21260	BOSS	6	98100-@
	□6131-22-3750	BOSS	6	96514-98099
6	20Y-01-22120	BRACKET	2	91087-@
7	01010-81265	BOLT	8	91087-@
8	01643-31232	WASHER	8	91087-@
9	20Y-01-21260	BOSS	8	98100-@
	□6131-22-3750	BOSS	8	91087-98099
10	04020-01228	PIN,DOWEL	1	91087-@

PC200LC-6 S/N 80001-UP (Overseas Version)

@@19697@



PE19697

Ref. B0100-01A0

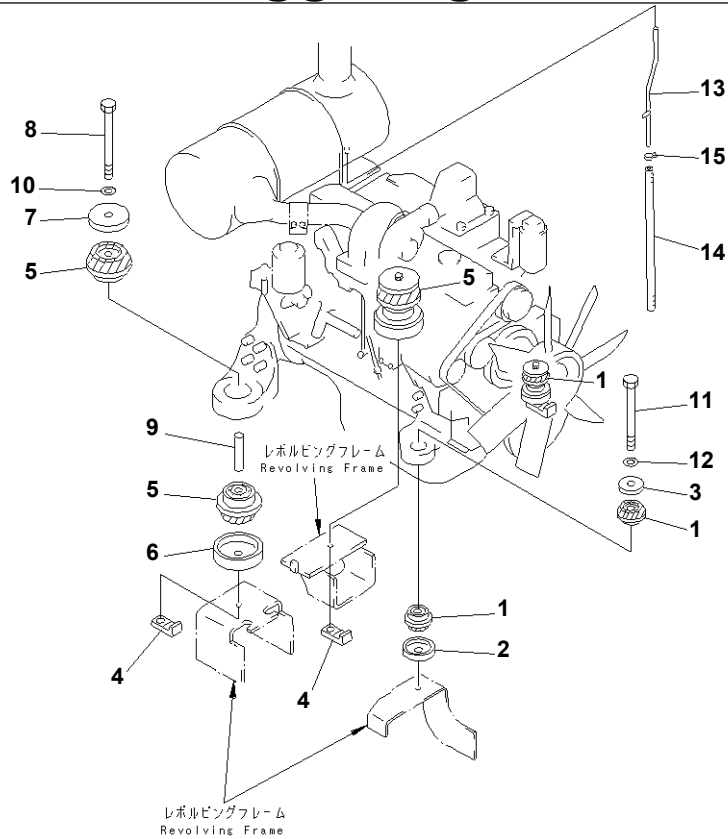
Page 030020

PC200LC-6 S/N 80001-UP (Overseas Version)  
ENGINE MOUNT(#80001-91086)

Item	Part No.	Part Name	Qty	Serial No.
1	20Y-01-12210	CUSHION	4	80466-@
	□113-01-21110	CUSHION	4	80001-80465
2	20Y-01-12140	STOPPER	2	80001-@
3	20Y-01-11141	WASHER	2	80001-@
4	20Y-01-22111	NUT	2	85353-91086
	20Y-01-22111	NUT	1	80001-85352
5	20Y-01-12150	NUT	1	85353-91086
	20Y-01-12150	NUT	2	80001-85352
6	20Y-01-12221	CUSHION	4	80466-@
	□208-01-11192	CUSHION	4	80001-80465
7	20Y-01-12160	STOPPER	2	80001-@
8	20Y-01-12180	WASHER	2	80001-@
9	20Y-01-12280	BOLT	2	80001-@
10	20Y-01-12250	SPACER	2	80001-@
11	01643-31645	WASHER	2	80001-@
12	20Y-01-12270	BOLT	2	80001-@
13	01643-31645	WASHER	2	80001-@
14	6209-11-5480	TUBE	1	80001-@
15	07260-20950	HOSE	1	80001-@
16	07285-00155	CLIP	1	80001-@

PC200LC-6 S/N 80001-UP (Overseas Version)

@@B3663@



PEB3663

Ref. B0100-01A0A

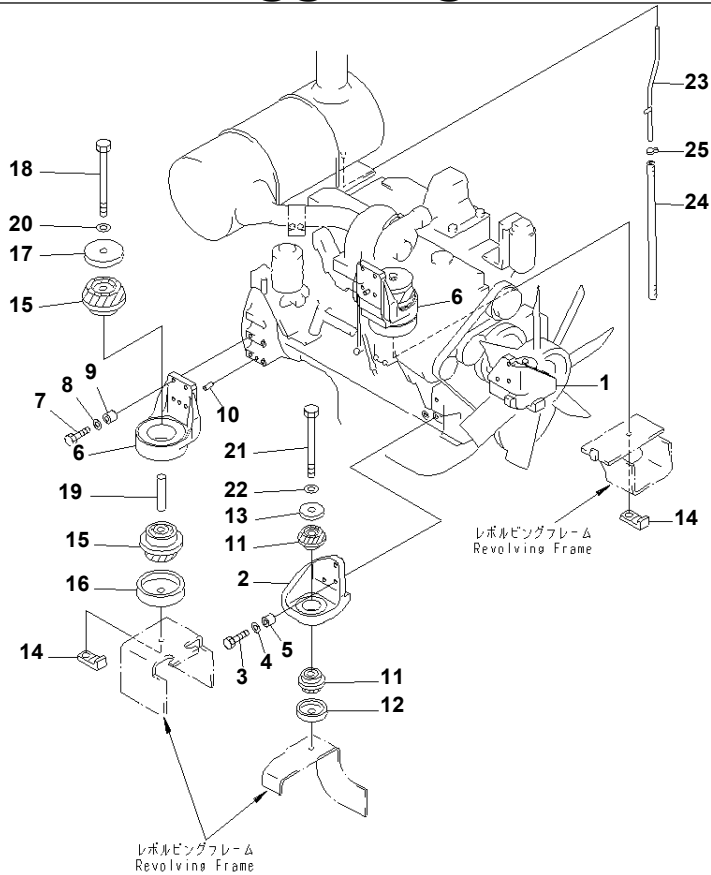
Page 030030

PC200LC-6 S/N 80001-UP (Overseas Version)  
ENGINE MOUNT(#91087-106005)

Item	Part No.	Part Name	Qty	Serial No.
1	20Y-01-12210	CUSHION	4	80466-@
2	20Y-01-12141	STOPPER	2	98100-@
	20Y-01-12140	STOPPER	2	80001-98099
3	20Y-01-11141	WASHER	2	80001-@
4	20Y-01-22111	NUT	3	91087-@
5	20Y-01-12221	CUSHION	4	80466-@
6	20Y-01-12160	STOPPER	2	80001-@
7	20Y-01-12180	WASHER	2	80001-@
8	20Y-01-12280	BOLT	2	80001-@
9	20Y-01-12250	SPACER	2	80001-@
10	01643-31645	WASHER	2	80001-@
11	20Y-01-12270	BOLT	2	80001-@
12	01643-31645	WASHER	2	80001-@
13	6209-11-5480	TUBE	1	80001-@
14	07260-20950	HOSE	1	80001-@
15	07285-00155	CLIP	1	80001-@

PC200LC-6 S/N 80001-UP (Overseas Version)

@@L5324@



Ref. B0100-01A0B

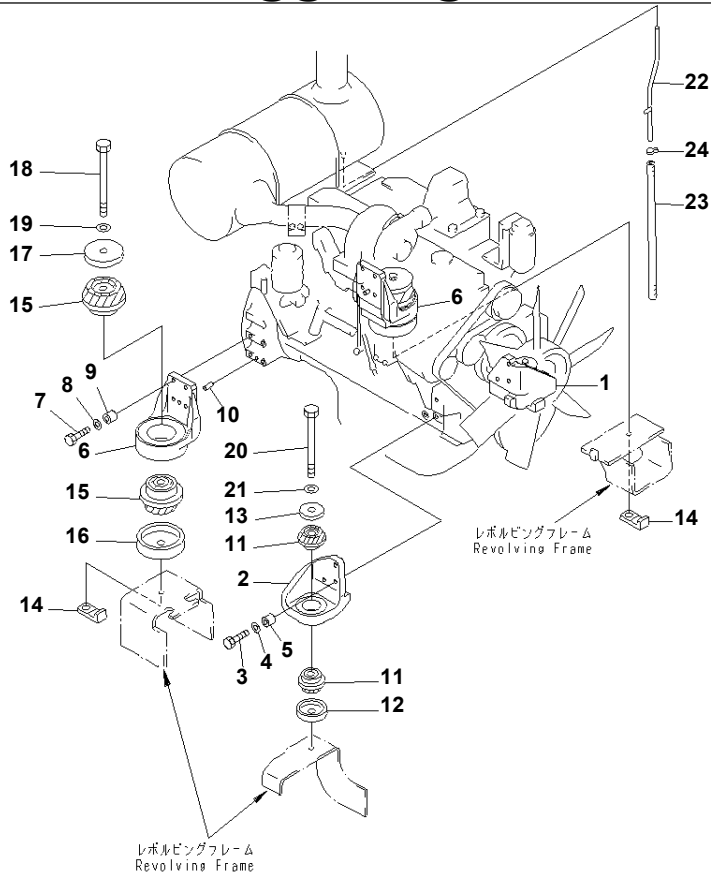
Page 030040

PC200LC-6 S/N 80001-UP (Overseas Version)  
ENGINE MOUNT(#106006-107551)

Item	Part No.	Part Name	Qty	Serial No.
1	20Y-01-29231	BRACKET,L.H.	1	96514-@
2	20Y-01-29241	BRACKET,R.H.	1	96514-@
3	01010-81265	BOLT	6	96514-@
4	01643-31232	WASHER	6	96514-@
5	20Y-01-21260	BOSS	6	98100-@
6	20Y-01-22120	BRACKET	2	91087-107551
7	01010-81265	BOLT	8	91087-@
8	01643-31232	WASHER	8	91087-@
9	20Y-01-21260	BOSS	8	98100-@
10	04020-01228	PIN	1	91087-107551
11	20Y-01-12210	CUSHION	4	80466-@
12	20Y-01-12141	STOPPER	2	98100-@
13	20Y-01-11141	WASHER	2	80001-@
14	20Y-01-22111	NUT	3	91087-@
15	20Y-01-12221	CUSHION	4	80466-107551
16	20Y-01-12160	STOPPER	2	80001-107551
17	20Y-01-12180	WASHER	2	80001-@
18	01011-81655	BOLT	2	106987-@
	20Y-01-12280	BOLT	2	80001-106986
19	20Y-01-12250	SPACER	2	80001-107551
20	01643-31645	WASHER	2	80001-@
21	20Y-01-12270	BOLT	2	80001-@
22	01643-31645	WASHER	2	80001-@
23	6209-11-5480	TUBE	1	80001-@
24	07260-20950	HOSE	1	80001-@
25	07285-00155	CLIP	1	80001-@

PC200LC-6 S/N 80001-UP (Overseas Version)

@@L5325@



Ref. B0100-01A0C

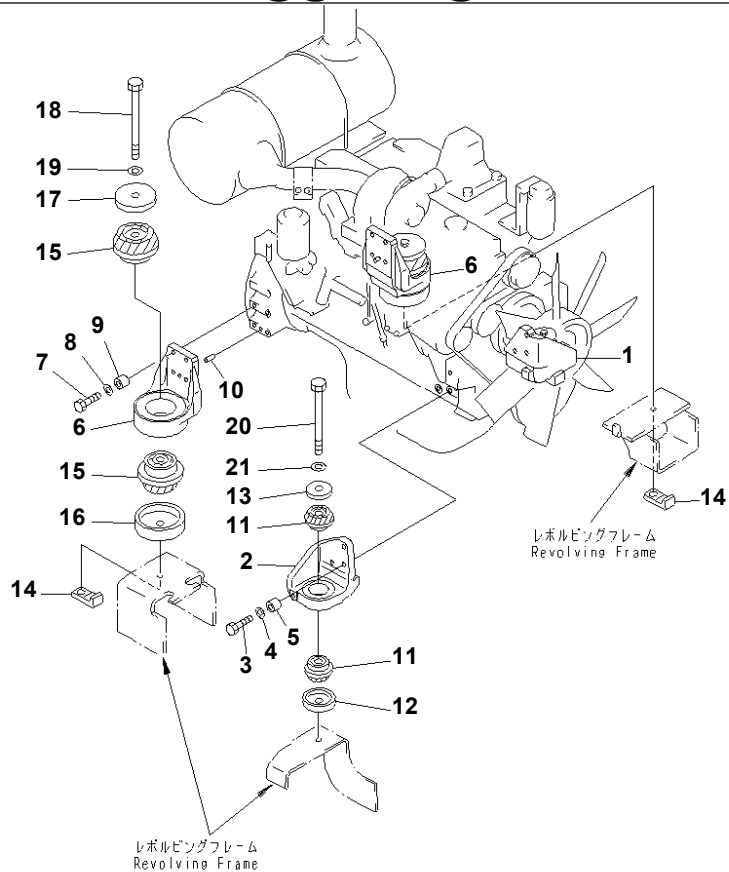
Page 030050

PC200LC-6 S/N 80001-UP (Overseas Version)  
ENGINE MOUNT(#107552-110539)

Item	Part No.	Part Name	Qty	Serial No.
1	20Y-01-29231	BRACKET,L.H.	1	96514-@
2	20Y-01-29241	BRACKET,R.H.	1	96514-110539
3	01010-81265	BOLT	6	96514-@
4	01643-31232	WASHER	6	96514-@
5	20Y-01-21260	BOSS	6	98100-@
6	20Y-01-22121	BRACKET	2	107552-@
7	01010-81265	BOLT	8	91087-@
8	01643-31232	WASHER	8	91087-@
9	20Y-01-21260	BOSS	8	98100-@
10	04020-01228	PIN	2	107552-@
11	20Y-01-12210	CUSHION	4	91087-@
12	20Y-01-12141	STOPPER	2	98100-@
13	20Y-01-11141	WASHER	2	80001-@
14	20Y-01-22111	NUT	3	91087-@
15	20Y-01-12222	CUSHION	4	107552-@
16	20Y-01-12161	STOPPER	2	107552-@
17	20Y-01-12180	WASHER	2	80001-@
18	01011-81655	BOLT	2	106987-@
19	01643-31645	WASHER	2	80001-@
20	20Y-01-12270	BOLT	2	80001-@
21	01643-31645	WASHER	2	80001-@
22	6209-11-5480	TUBE	1	80001-110539
23	07260-20950	HOSE	1	80001-110539
24	07285-00155	CLIP	1	80001-110539

PC200LC-6 S/N 8001-UP (Overseas Version)

@@1D049@



PJ1D049

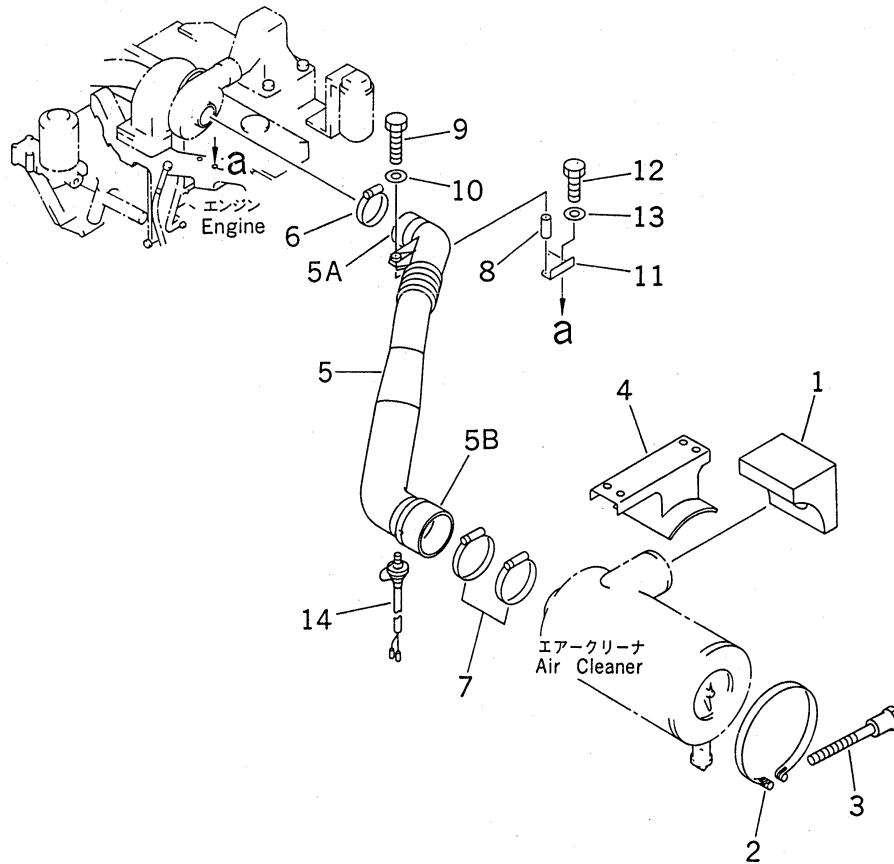
Ref. B0100-01A0D

Page 030060

PC200LC-6 S/N 8001-UP (Overseas Version)  
ENGINE MOUNT(#110540-)

Item	Part No.	Part Name	Qty	Serial No.
1	20Y-01-29231	BRACKET,L.H.	1	96514-
2	20Y-01-31220	BRACKET	1	110540-
3	01010-81265	BOLT	6	96514-
4	01643-31232	WASHER	6	96514-
5	20Y-01-21260	BOSS	6	98100-
6	20Y-01-22121	BRACKET	2	107552-
7	01010-81265	BOLT	8	91087-
8	01643-31232	WASHER	8	91087-
9	20Y-01-21260	BOSS	8	98100-
10	04020-01228	PIN	2	107552-
11	20Y-01-12210	CUSHION	4	91087-
12	20Y-01-12141	STOPPER	2	98100-
13	20Y-01-11141	WASHER	2	80001-
14	20Y-01-22111	NUT	3	91087-
15	20Y-01-12222	CUSHION	4	107552-
16	20Y-01-12161	STOPPER	2	107552-
17	20Y-01-12180	WASHER	2	80001-
18	01011-81655	BOLT	2	106987-
19	01643-31645	WASHER	2	80001-
20	20Y-01-12270	BOLT	2	80001-
21	01643-31645	WASHER	2	80001-



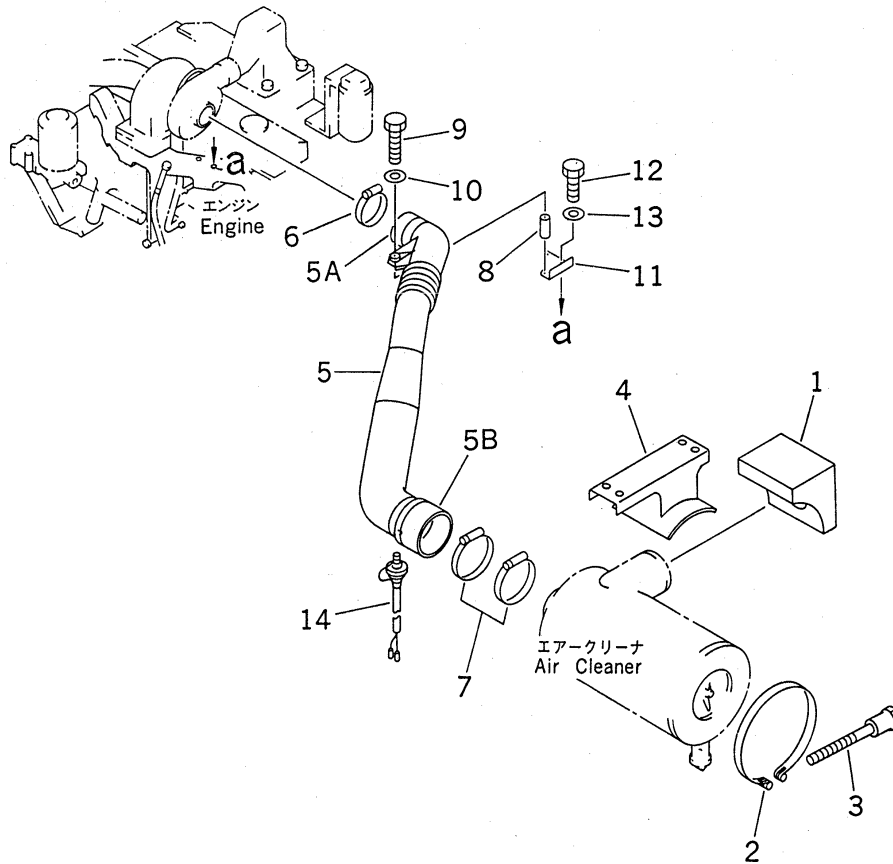


Ref. B0200-01A0

Page 030070

PC200LC-6 S/N 80001-UP (Overseas Version)  
**AIR CLEANER CONNECTION (FOR SINGLE ELEMENT)(#80001-94998)**

Item	Part No.	Part Name	Qty	Serial No.
1	20Y-54-27551	SEAL	1	80001-@
2	6131-11-4520	BAND ASS'Y	2	80001-@
3	6643-11-4641	BOLT	2	80001-@
4	20Y-54-29194	FRAME	1	80001-@
5	20Y-01-21212	AIR DUCT	1	80001-@
5A	20Y-01-21220	INSULATOR	1	80001-@
5B	6207-11-4981	INSULATOR	1	80001-@
6	07289-00070	CLAMP	1	92950-@
	◆208-09-11120	CLAMP	1	82095-92949
	205-09-61120	CLAMP	1	80001-82094
7	07289-00120	CLAMP	2	92950-@
	◆207-09-11120	CLAMP	2	80001-92949
8	6152-51-5520	SPACER	1	80001-@
9	01010-50890	BOLT	1	80001-@
10	01643-30823	WASHER	1	80001-@
11	20Y-01-21232	BRACKET	1	80001-@
12	01435-01035	BOLT	2	80001-@
13	421-06-12780	SPACER	2	80001-@
14	7861-91-1420	SENSOR	1	80001-@

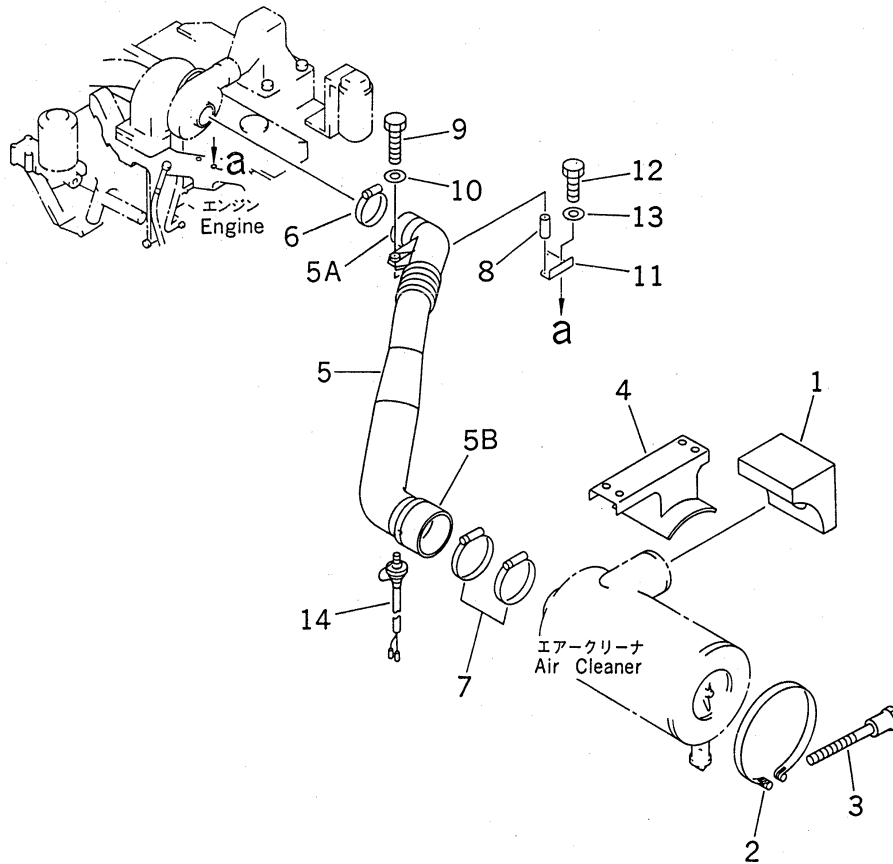


Ref. B0200-01A0A

Page 030080

PC200LC-6 S/N 80001-UP (Overseas Version)  
**AIR CLEANER CONNECTION (FOR SINGLE ELEMENT)(#94999-96513)**

Item	Part No.	Part Name	Qty	Serial No.
1	20Y-54-27551	SEAL	1	80001-@
2	6131-11-4520	BAND ASS'Y	2	80001-@
3	6643-11-4641	BOLT	2	80001-@
4	20Y-54-29194	FRAME	1	80001-@
5	20Y-01-21212	AIR DUCT	1	80001-96513
5A	20Y-01-21220	INSULATOR	1	80001-96513
5B	6207-11-4981	INSULATOR	1	80001-96513
6	07289-00070	CLAMP	1	92950-96513
7	07289-00120	CLAMP	2	92950-@
8	6152-51-5520	SPACER	1	80001-96513
9	01010-50890	BOLT	1	80001-96513
10	01643-30823	WASHER	1	80001-96513
11	20Y-01-21232	BRACKET	1	80001-96513
12	01435-01035	BOLT	2	80001-96513
13	421-06-12780	SPACER	2	80001-96513
14	7861-91-1420	SENSOR	1	80001-@

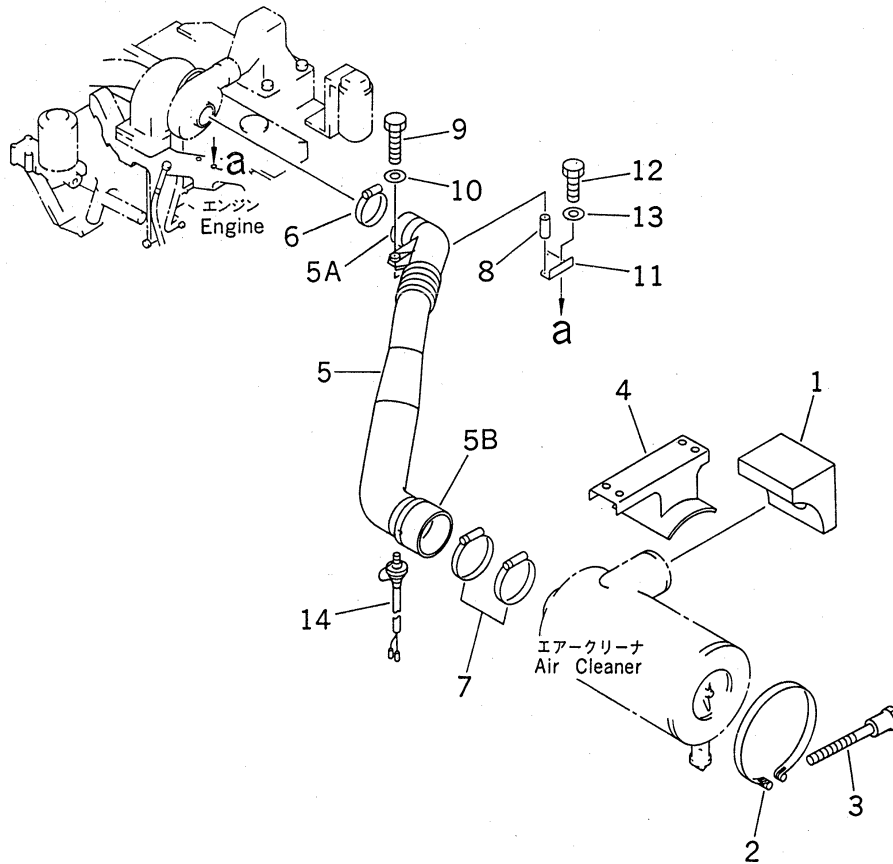


Ref. B0200-01A1

Page 030090

PC200LC-6 S/N 80001-UP (Overseas Version)  
**AIR CLEANER CONNECTION (FOR DOUBLE ELEMENT)(#80001-94998)**

Item	Part No.	Part Name	Qty	Serial No.
1	20Y-54-27551	SEAL	1	80001-@
2	6131-11-4520	BAND ASS'Y	2	80001-@
3	6643-11-4641	BOLT	2	80001-@
4	20Y-54-29194	FRAME	1	80001-@
5	20Y-01-21212	AIR DUCT	1	80001-94998
5A	20Y-01-21220	INSULATOR	1	80001-94998
5B	6207-11-4981	INSULATOR	1	80001-94998
6	07289-00070	CLAMP	1	92950-94998
	◆208-09-11120	CLAMP	1	82095-92949
	205-09-61120	CLAMP	1	80001-82094
7	07289-00120	CLAMP	2	92950-@
	◆207-09-11120	CLAMP	2	80001-92949
8	6152-51-5520	SPACER	1	80001-94998
9	01010-50890	BOLT	1	80001-94998
10	01643-30823	WASHER	1	80001-94998
11	20Y-01-21232	BRACKET	1	80001-94998
12	01435-01035	BOLT	2	80001-94998
13	421-06-12780	SPACER	2	80001-94998
14	7861-91-1420	SENSOR	1	80001-@



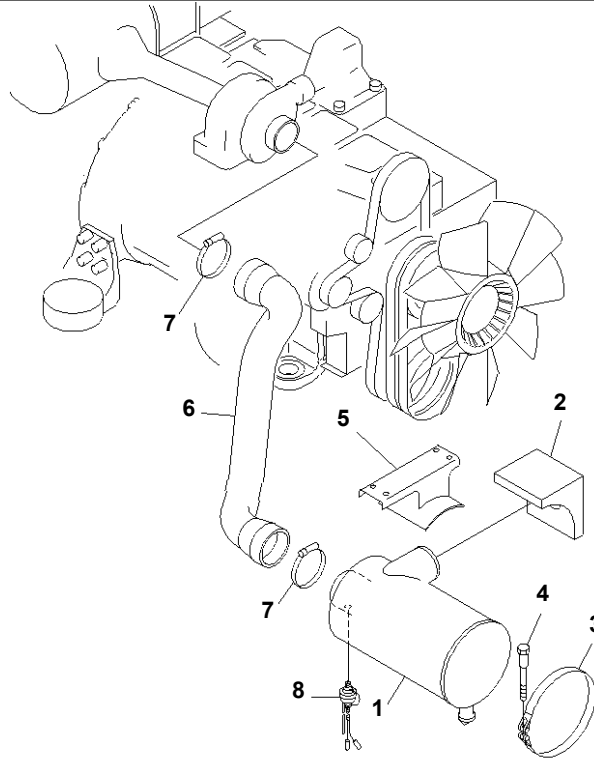
Ref. B0200-01A1A

Page 030100

PC200LC-6 S/N 80001-UP (Overseas Version)  
**AIR CLEANER CONNECTION (FOR DOUBLE ELEMENT)(#94999-96513)**

Item	Part No.	Part Name	Qty	Serial No.
1	20Y-54-27551	SEAL	1	80001-@
2	6131-11-4520	BAND ASS'Y	2	80001-@
3	6643-11-4641	BOLT	2	80001-@
4	20Y-54-29194	FRAME	1	80001-@
5	20Y-01-21212	AIR DUCT	1	80001-96513
5A	20Y-01-21220	INSULATOR	1	80001-96513
5B	6207-11-4981	INSULATOR	1	80001-96513
6	07289-00070	CLAMP	1	92950-96513
7	07289-00120	CLAMP	2	92950-@
8	6152-51-5520	SPACER	1	80001-96513
9	01010-50890	BOLT	1	80001-96513
10	01643-30823	WASHER	1	80001-96513
11	20Y-01-21232	BRACKET	1	80001-96513
12	01435-01035	BOLT	2	80001-96513
13	421-06-12780	SPACER	2	80001-96513
14	7861-91-1420	SENSOR	1	80001-@

**PC200LC-6 S/N 80001-UP (Overseas Version)  
@@1D679@**



P.J.10679

Ref. B0200-01A1C

Page 030110

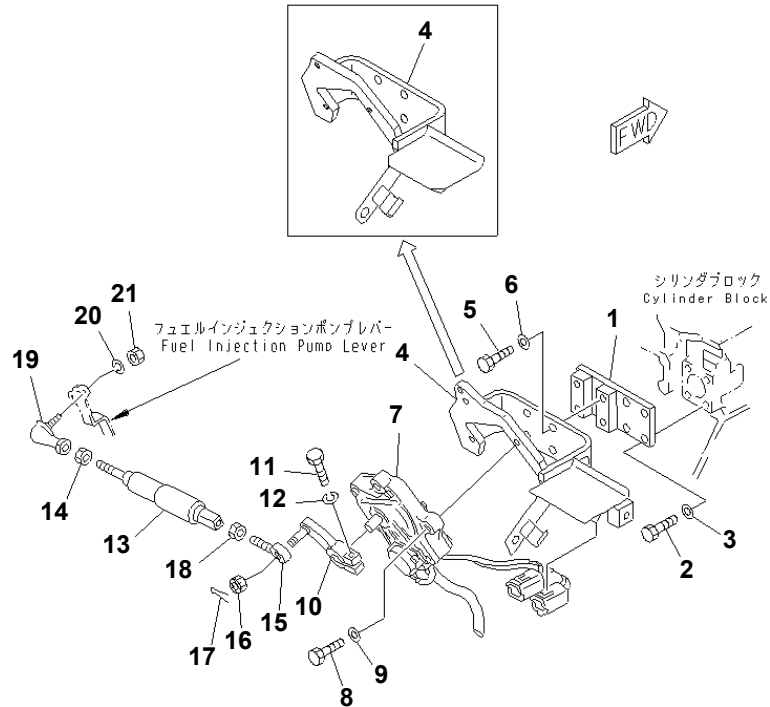
**PC200LC-6 S/N 80001-UP (Overseas Version)  
AIR CLEANER CONNECTION (FOR DOUBLE ELEMENT)(#96514-)**

Item	Part No.	Part Name	Qty	Serial No.
1	(6735-81-7200)	AIR CLEANER ASS'Y	1	96514-
2	20Y-54-27551	SEAL	1	80001-
3	6131-11-4520	BAND ASS'Y	2	80001-
4	6643-11-4641	BOLT	2	80001-
5	20Y-54-29194	FRAME	1	80001-
6	20Y-01-29211	HOSE	1	106006-
	20Y-01-29210	HOSE	1	96514-106005
7	07289-00105	CLAMP	2	106006-
	07289-00120	CLAMP	2	92950-106005
8	7861-91-1420	SENSOR	1	80001-

PC200LC-6 S/N 80001-UP (Overseas Version)

@@19699@

通用号機  
Serial No.91087~



PE19699

Ref. B0400-01A0

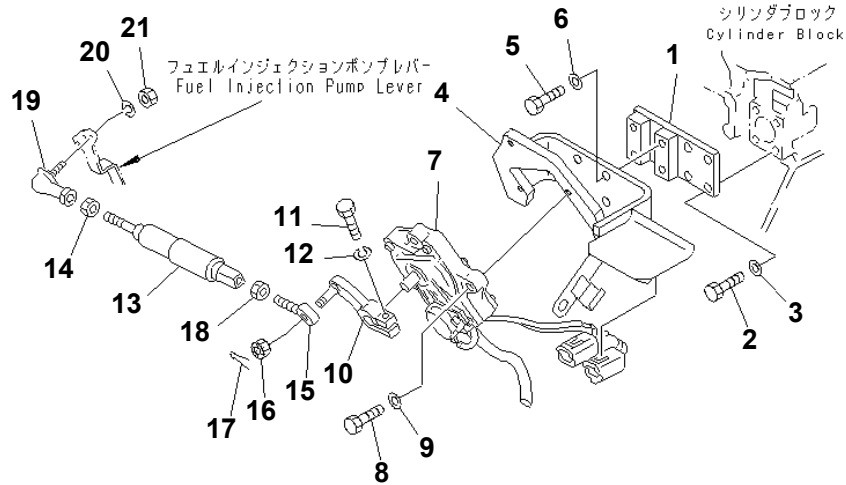
Page 030120

PC200LC-6 S/N 80001-UP (Overseas Version)  
FUEL CONTROL(#80001-94998)

Item	Part No.	Part Name	Qty	Serial No.
1	20Y-43-12132	BRACKET	1	80001-94998
2	01010-51025	BOLT	4	80001-94998
3	01643-31032	WASHER	4	80001-94998
4	20Y-06-21543	BRACKET	1	91087-94998
	20Y-06-21542	BRACKET	1	80001-91086
5	01010-51025	BOLT	4	80001-94998
6	01643-31032	WASHER	4	80001-94998
7	7834-40-2000	MOTOR ASS'Y	1	80001-@
8	01010-51040	BOLT	3	80001-94998
9	01643-31032	WASHER	3	80001-@
10	20Y-43-21220	LEVER	1	80001-94998
11	01010-51035	BOLT	1	80001-94998
12	01602-21030	WASHER	1	80001-@
13	20Y-43-12116	SPRING ASS'Y	1	82274-94998
	20Y-43-12115	SPRING ASS'Y	1	80001-82273
14	01582-11008	NUT	1	80001-@
15	04252-21061	END	1	80001-94998
16	01593-31008	NUT	1	80001-@
17	04050-12018	PIN	1	80001-@
18	01582-11008	NUT	1	80001-@
19	20Y-43-12180	JOINT	1	80001-@
20	01602-20619	WASHER	1	80001-@
21	01580-10605	NUT	1	80001-@

PC200LC-6 S/N 80001-UP (Overseas Version)

@@B5139@



PEB5139

Ref. B0400-01A0A

Page 030130

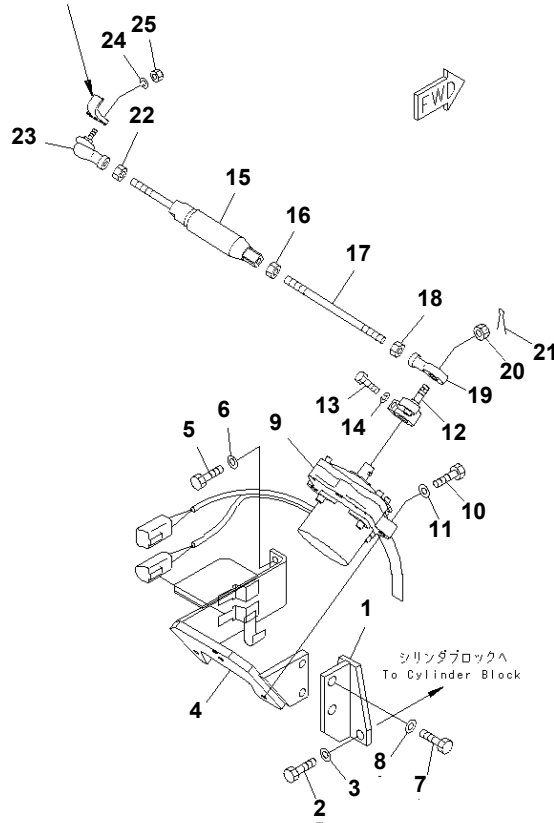
PC200LC-6 S/N 80001-UP (Overseas Version)  
**FUEL CONTROL(#94999-96513)**

Item	Part No.	Part Name	Qty	Serial No.
1	20Y-43-12132	BRACKET	1	80001-@
2	01010-51025	BOLT	4	80001-@
3	01643-31032	WASHER	4	80001-@
4	20Y-06-21543	BRACKET	1	91087-@
5	01010-51025	BOLT	4	80001-@
6	01643-31032	WASHER	4	80001-@
7	7834-40-2000	MOTOR ASS'Y	1	80001-@
8	01010-51040	BOLT	3	80001-@
9	01643-31032	WASHER	3	80001-@
10	20Y-43-21220	LEVER	1	80001-@
11	01010-51035	BOLT	1	80001-@
12	01602-21030	WASHER	1	80001-@
13	20Y-43-12116	SPRING ASS'Y	1	82274-@
14	01582-11008	NUT	1	80001-@
15	04252-21061	END	1	80001-@
16	01593-31008	NUT	1	80001-@
17	04050-12018	PIN	1	80001-@
18	01582-11008	NUT	1	80001-@
19	20Y-43-12180	JOINT	1	80001-@
20	01602-20619	WASHER	1	80001-@
21	01580-10605	NUT	1	80001-@

PC200LC-6 S/N 80001-UP (Overseas Version)

@@B5140@

フェュエルインジェクションポンプレバー  
Fuel Injection Pump Lever



P.085.140

Ref. B0400-01A0C

Page 030140

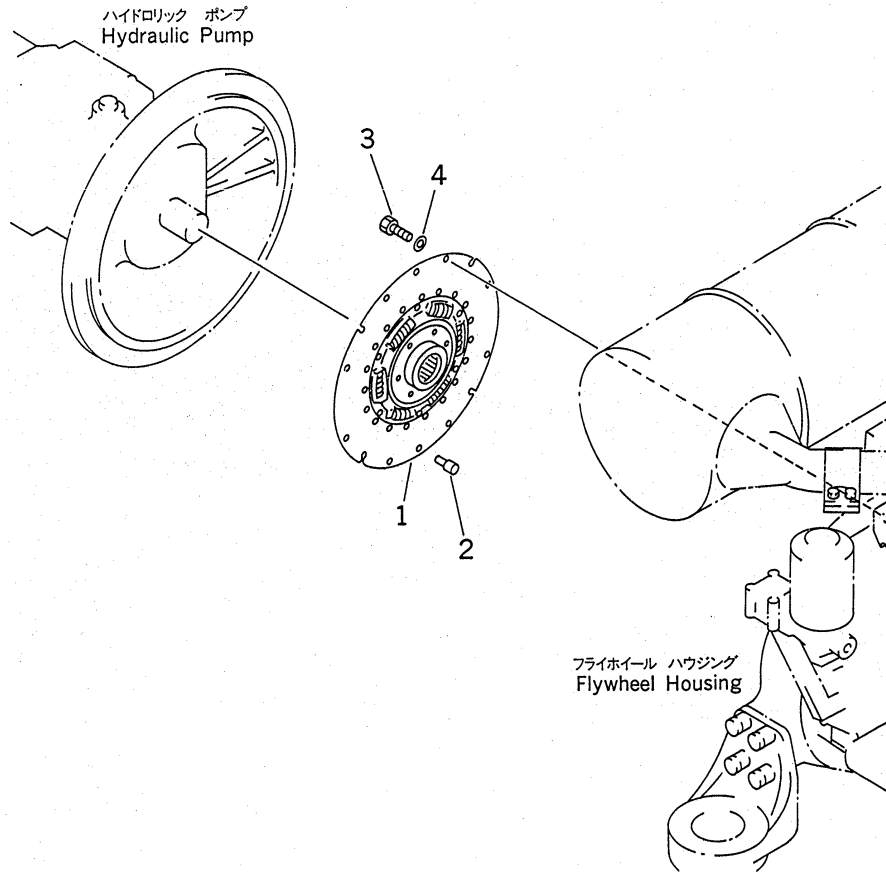
PC200LC-6 S/N 80001-UP (Overseas Version)  
FUEL CONTROL(#96514-)

Item	Part No.	Part Name	Qty	Serial No.
1	20Y-43-23461	BRACKET	1	96514-
2	01010-81230	BOLT	2	96514-
3	01643-31232	WASHER	2	96514-
4	20Y-43-23432	BRACKET	1	96514-
5	01010-80820	BOLT	2	98100-
	01010-80825	BOLT	2	96514-98099
6	01643-30823	WASHER	2	96514-
7	01010-81230	BOLT	2	96514-
8	01643-31232	WASHER	2	96514-
9	7834-40-2002	MOTOR ASS'Y	1	110676-
	7834-40-2001	MOTOR ASS'Y	1	106006-110675
	7834-40-2000	MOTOR ASS'Y	1	80001-106005
10	01010-81040	BOLT	3	96514-
11	01643-31032	WASHER	3	80001-
12	20Y-43-12143	LEVER	1	96514-
13	01010-81030	BOLT	1	96514-
14	01602-21030	WASHER	1	80001-
15	20Y-43-23442	SPRING ASS'Y	1	110673-
	□20Y-43-23441	SPRING ASS'Y	1	96514-110672
16	01582-11008	NUT	1	80001-
17	04248-31018	ROD	1	96514-
18	01508-41006	NUT	1	96514-
19	04250-91056	END	1	96514-
20	01593-31008	NUT	1	80001-
21	04050-12018	PIN	1	80001-
22	01582-11008	NUT	1	80001-
23	20Y-43-12180	JOINT	1	80001-
24	01602-20619	WASHER	1	80001-
25	01580-10605	NUT	1	80001-



PC200LC-6 S/N 8001-UP (Overseas Version)

@@19700@



Ref. B0600-01A0

Page 030150

PC200LC-6 S/N 8001-UP (Overseas Version)  
**DAMPER(#80001-110274)**

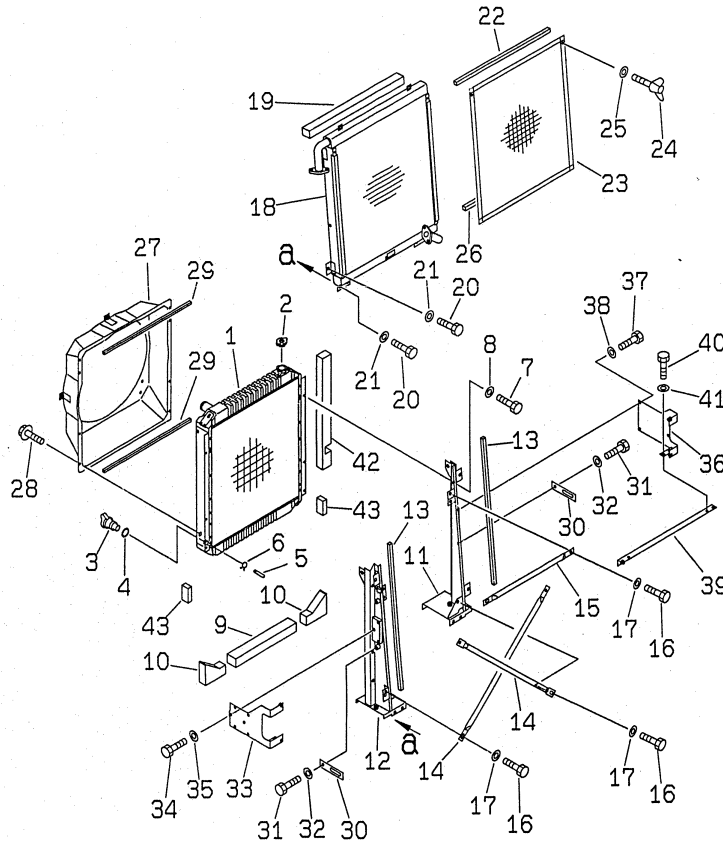
Item	Part No.	Part Name	Qty	Serial No.
1	20Y-01-11112	DAMPER	1	80001-110274
2	203-01-51120	PIN	2	80001-110274
3	01010-81020	BOLT	8	94999-110274
	01010-51020	BOLT	8	80001-94998
4	01643-31032	WASHER	8	80001-110274

SEE FIG.A9990-01A2 OF ENGINE GROUP FOR SERIAL NO.110275 AND UP.

**PC200LC-6 S/N 80001-UP (Overseas Version)**

**COOLING SYSTEM**

Item	Part Name	Qty
10	COOLING (RADIATOR)(#80001-91086)	1
20	COOLING (RADIATOR) (WITH AIR CONDITIONER)(#91087-96513)	1
30	COOLING (RADIATOR) (SAE FAN GUARD) (WITH HEATER)(#80001-96513)	1
40	COOLING (RADIATOR) (SAE FAN GUARD) (WITH HEATER)(#96514-106005)	1
50	COOLING (RADIATOR) (SAE FAN GUARD) (WITH HEATER)(#106006-)	1
60	COOLING (RADIATOR) (WITH AIR CONDITIONER)(#96514-106005)	1
70	COOLING (RADIATOR) (WITH AIR CONDITIONER)(#106006-)	1
80	COOLING (RADIATOR) (WITH AIR CONDITIONER)(#109756-)	1
90	COOLING (RADIATOR) (WITH AIR CONDITIONER) (REGULATION OF E.P.A.)(#102992-106251)	1
100	COOLING (RADIATOR) (WITH AIR CONDITIONER) (REGULATION OF E.P.A.)(#106252-109755)	1
110	COOLING (PIPING)(#80001-94998)	1
120	COOLING (PIPING)(#94999-96513)	1
130	COOLING (PIPING)(#96514-)	1
140	COOLING (PIPING)(#96514-)	1
150	COOLING (PIPING)(#109756-)	1
160	COOLING (PIPING) (REGULATION OF E.P.A.)(#102992-109755)	1
170	COOLING (SUB TANK AND RADIATOR MOUNT)	1
180	COOLING (SUB TANK AND RADIATOR MOUNT) (WITH AIR CONDITIONER)(#102229-)	1
190	COOLING (FAN GUARD)(#80001-90129)	1
200	COOLING (FAN GUARD)(#90130-96513)	1
210	FAN GUARD (SAE)(#80001-96513)	1
220	FAN GUARD (WITH AIR CONDITIONER)(#96514-)	1
230	FAN GUARD (SANDY AND DUSTY TERRAIN SPEC.) (WITH AIR CONDITIONER)(#96405-)	1
240	FAN GUARD (SANDY AND DUSTY TERRAIN SPEC.) (WITHOUT AIR CONDITIONER)(#96405-)	1

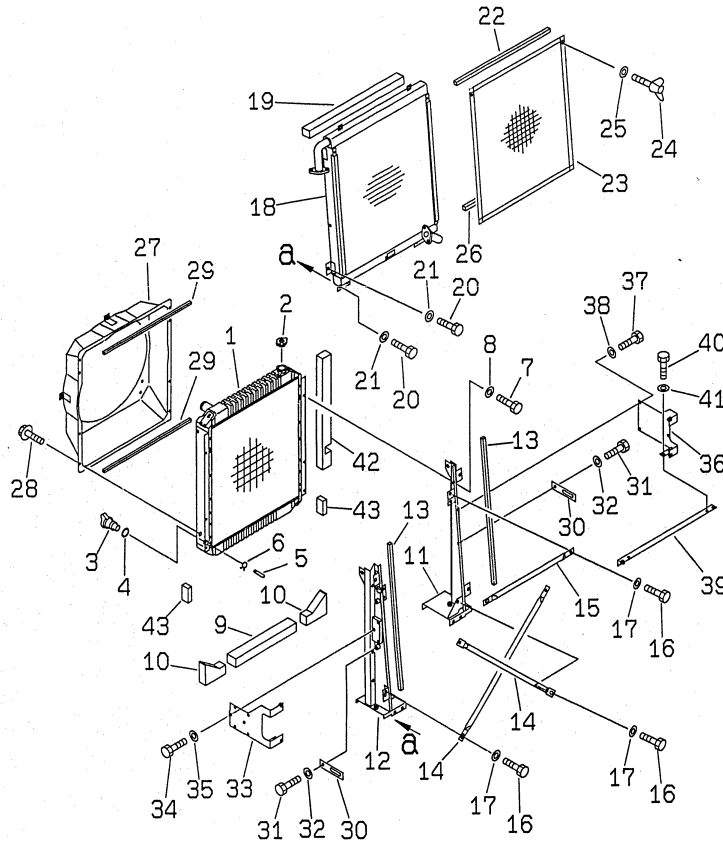


PC200LC-6 S/N 80001-UP (Overseas Version)  
**COOLING (RADIATOR)(#80001-91086)**

Item	Part No.	Part Name	Qty	Serial No.
1	20Y-03-21510	CORE ASS'Y,RADIATOR	1	80001-@
2	205-03-71280	CAP ASS'Y	1	80001-@
3	205-03-62660	PLUG	1	80001-@
4	07000-01007	O-RING	1	80001-@
5	203-03-41411	HOSE	1	80001-@
6	20Y-03-11330	CLIP	1	80001-@
7	01010-51025	BOLT	6	80001-@
8	01643-31032	WASHER	6	80001-@
9	20Y-03-21480	SEAL	1	80001-@
10	20Y-03-21490	SEAL	2	80001-@
11	☆	BRACKET	1	80001-@
12	☆	BRACKET	1	80001-@
13	20Y-03-21320	SEAL	2	80001-@
14	20Y-03-21410	STAY	2	80001-@
15	20Y-03-21420	STAY	1	80001-@
16	01010-51225	BOLT	6	80001-@
17	01643-31232	WASHER	6	80001-@
18	20Y-03-21121	OIL COOLER ASS'Y	1	80001-@
19	20Y-03-21330	SEAL	1	80001-@
20	01010-51225	BOLT	8	80001-@
21	01643-31232	WASHER	8	80001-@
22	20Y-03-21430	SEAL	1	80001-@
23	20Y-03-21141	NET	1	80001-@
24	01434-10616	BOLT, WING	2	80001-@
25	01643-30823	WASHER	2	80001-@
26	20Y-03-21430	SEAL	1	80001-@
27	20Y-03-21520	SHROUD	1	80001-@
28	01435-20816	BOLT	8	80001-@
29	20Y-03-14110	SEAL	2	80001-@

**PC200LC-6 S/N 80001-UP (Overseas Version)  
COOLING (RADIATOR)(#80001-91086)**

Item	Part No.	Part Name	Qty	Serial No.
30	20Y-03-21380	PLATE	2	80001-@
31	01010-51025	BOLT	2	80001-@
32	01643-31032	WASHER	2	80001-@
33	20Y-979-2831	BRACKET	1	80001-@
34	01010-51025	BOLT	2	80001-@
35	01643-31032	WASHER	2	80001-@
36	20Y-979-2841	BRACKET	1	80001-@
37	01010-51025	BOLT	3	80001-@
38	01643-31032	WASHER	3	80001-@
39	20Y-979-2820	BRACKET	1	80001-@
40	01010-51025	BOLT	4	80001-@
41	01643-31032	WASHER	4	80001-@
42	20Y-03-21270	SEAL	1	80001-@
43	20Y-03-21260	SEAL	2	80001-@



PC200LC-6 S/N 80001-UP (Overseas Version)  
**COOLING (RADIATOR) (WITH AIR CONDITIONER)(#91087-96513)**

Item	Part No.	Part Name	Qty	Serial No.
1	20Y-03-21510	CORE ASS'Y,RADIATOR	1	80001-@
2	205-03-71280	CAP ASS'Y	1	80001-@
3	205-03-62660	PLUG	1	80001-@
4	07000-01007	O-RING	1	80001-@
5	203-03-41411	HOSE	1	80001-@
6	20Y-03-11330	CLIP	1	80001-@
7	01010-51025	BOLT	6	80001-@
8	01643-31032	WASHER	6	80001-@
9	20Y-03-21480	SEAL	1	80001-@
10	20Y-03-21490	SEAL	2	80001-@
11	☆	BRACKET	1	80001-@
12	☆	BRACKET	1	80001-@
13	20Y-03-21320	SEAL	2	80001-@
14	20Y-03-21410	STAY	2	80001-@
15	20Y-03-21420	STAY	1	80001-@
16	01010-51225	BOLT	6	80001-@
17	01643-31232	WASHER	6	80001-@
18	20Y-03-21121	OIL COOLER ASS'Y	1	80001-@
19	20Y-03-21330	SEAL	1	80001-@
20	01010-51225	BOLT	8	80001-@
21	01643-31232	WASHER	8	80001-@
22	20Y-03-21430	SEAL	1	80001-@
23	20Y-03-21141	NET	1	80001-@
24	01434-10616	BOLT, WING	2	80001-@
25	01643-30823	WASHER	2	80001-@
26	20Y-03-21430	SEAL	1	80001-@
27	20Y-03-21520	SHROUD	1	80001-@
28	01435-20816	BOLT	8	80001-@
29	20Y-03-14110	SEAL	2	80001-@

**PC200LC-6 S/N 80001-UP (Overseas Version)**  
**COOLING (RADIATOR) (WITH AIR CONDITIONER)(#91087-96513)**

Item	Part No.	Part Name	Qty	Serial No.
30	20Y-03-21380	PLATE	2	80001-@
31	01010-51025	BOLT	2	80001-@
32	01643-31032	WASHER	2	80001-@
33	20Y-979-2831	BRACKET	1	80001-@
34	01010-51025	BOLT	2	80001-@
35	01643-31032	WASHER	2	80001-@
36	20Y-979-2841	BRACKET	1	80001-@
37	01010-51025	BOLT	3	80001-@
38	01643-31032	WASHER	3	80001-@
39	20Y-979-2820	BRACKET	1	80001-@
40	01010-51025	BOLT	4	80001-@
41	01643-31032	WASHER	4	80001-@
42	20Y-03-21270	SEAL	1	80001-@
43	20Y-03-21260	SEAL	2	80001-@



**Download the full PDF manual instantly.**

**Our customer service e-mail:**

**[aservicemanualpdf@yahoo.com](mailto:aservicemanualpdf@yahoo.com)**