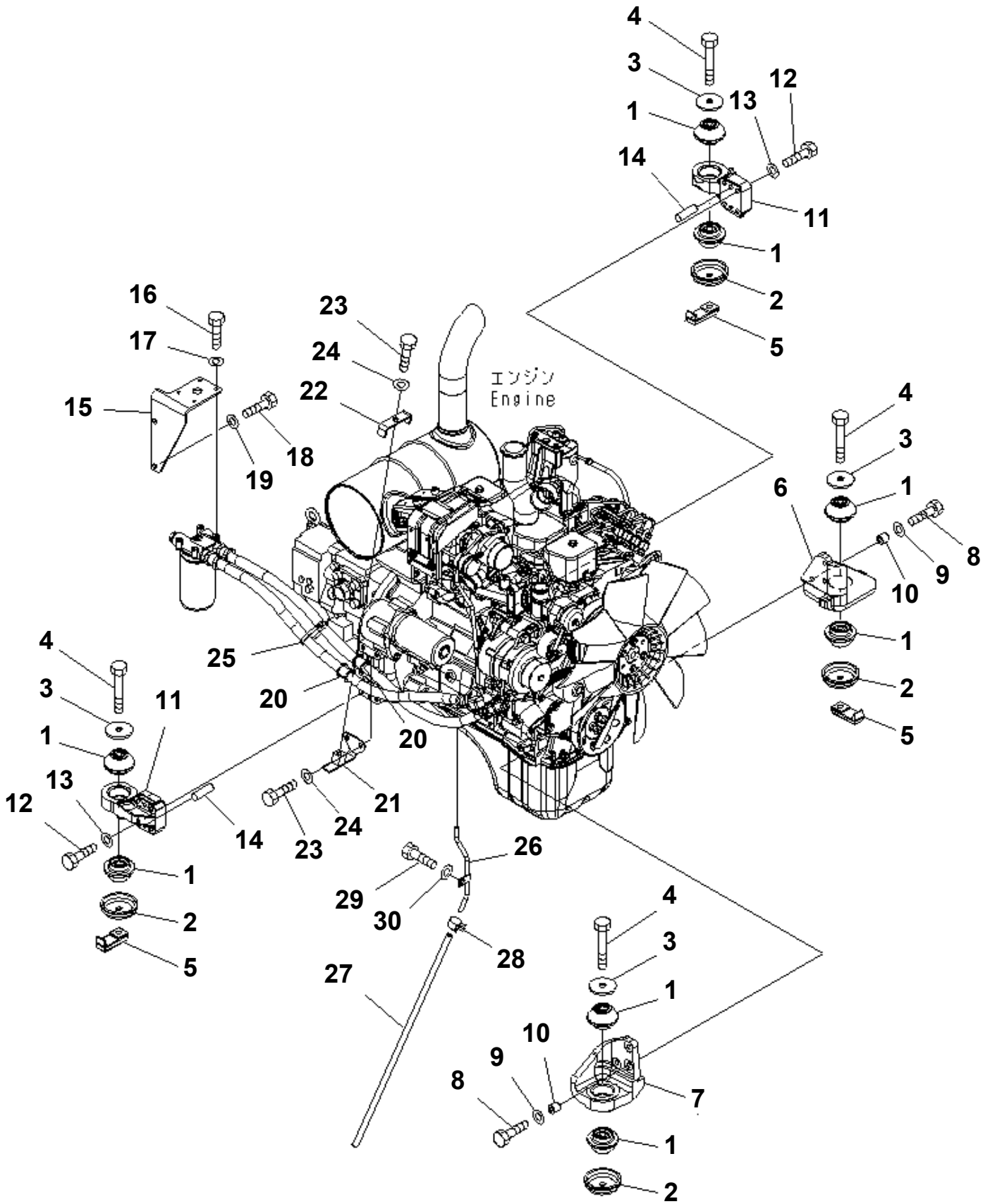


PC180LC-7K S/N K40001-UP
KOMATSU PC180LC-7K S/N K40001-UP

Item	Description	Book	Page
	SAA4D102E-2E-4 ENGINE S/N 26274903-UP	saa4d11u	
B0	ENGINE RELATED PARTS		030000
C0	COOLING SYSTEM		060000
D0	FUEL TANK AND RELATED PARTS		090000
E0	ELECTRICAL SYSTEM		120000
H0	HYDRAULIC SYSTEM		150000
J0	MAIN/REVOLVING FRAME AND RELATED PARTS		180000
K0	OPERATOR'S COMPARTMENT AND CONTROL SYSTEM		210000
M0	GUARD		240000
N0	SWING CIRCLE AND RELATED PARTS		270000
P0	TRAVEL AND LOWER PIPING		300000
R0	UNDER CARRIAGE		330000
T0	WORK EQUIPMENT		360000
U0	MARKS AND PLATES		390000
V0	ACCESSORY		420000
W0	MISCELLANEOUS		450000
Y0	SERVICE KIT AND COMPONENT PARTS		480000

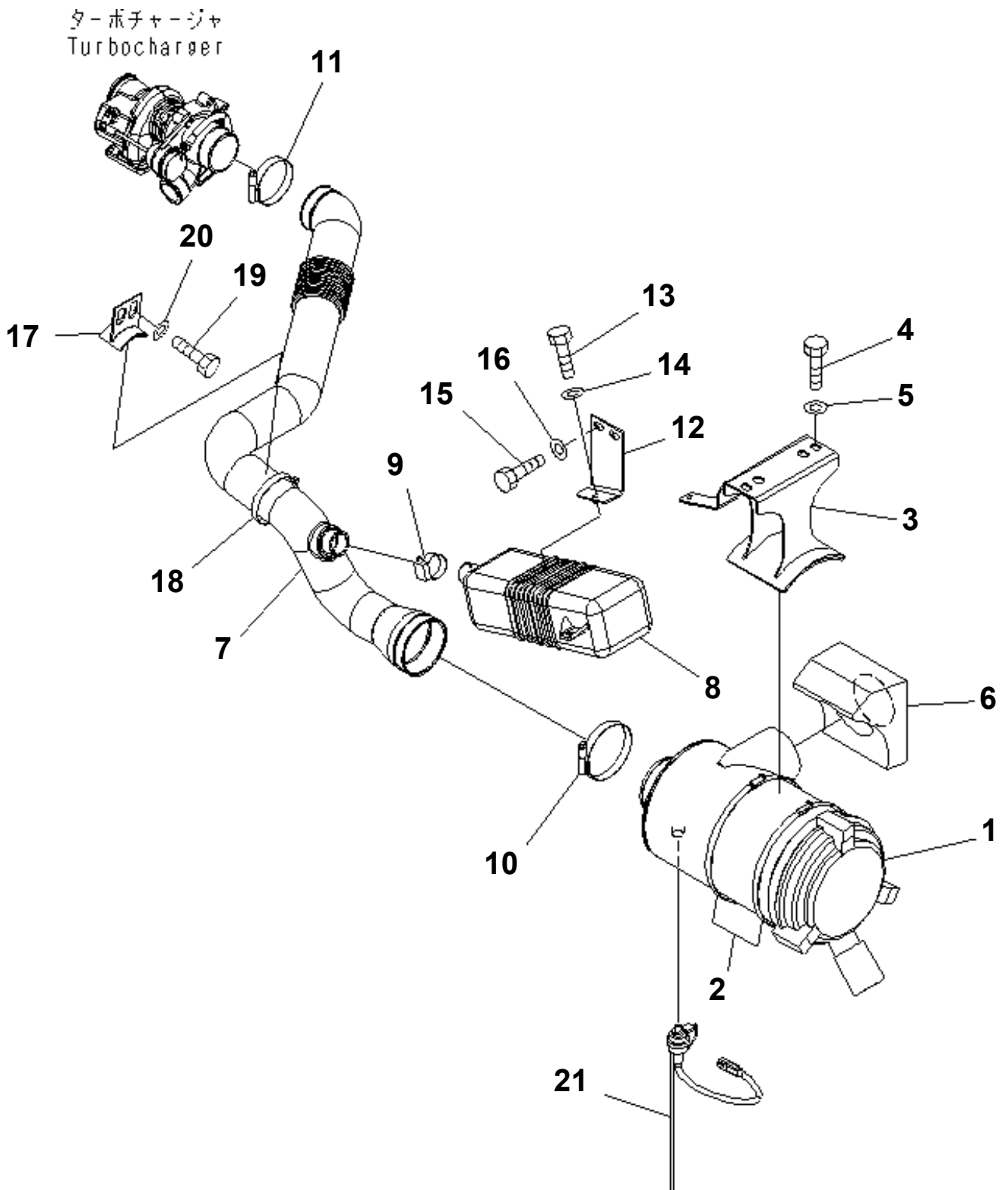
**PC180LC-7K S/N K40001-UP
ENGINE RELATED PARTS**

Item	Description	Qty	Page
10	ENGINE MOUNT	1	030010
20	AIR INTAKE	1	030020
30	MUFFLER	1	030030
40	FUEL CONTROL	1	030040
50	DAMPER	1	030050
60	HEAT SHIELD	1	030060



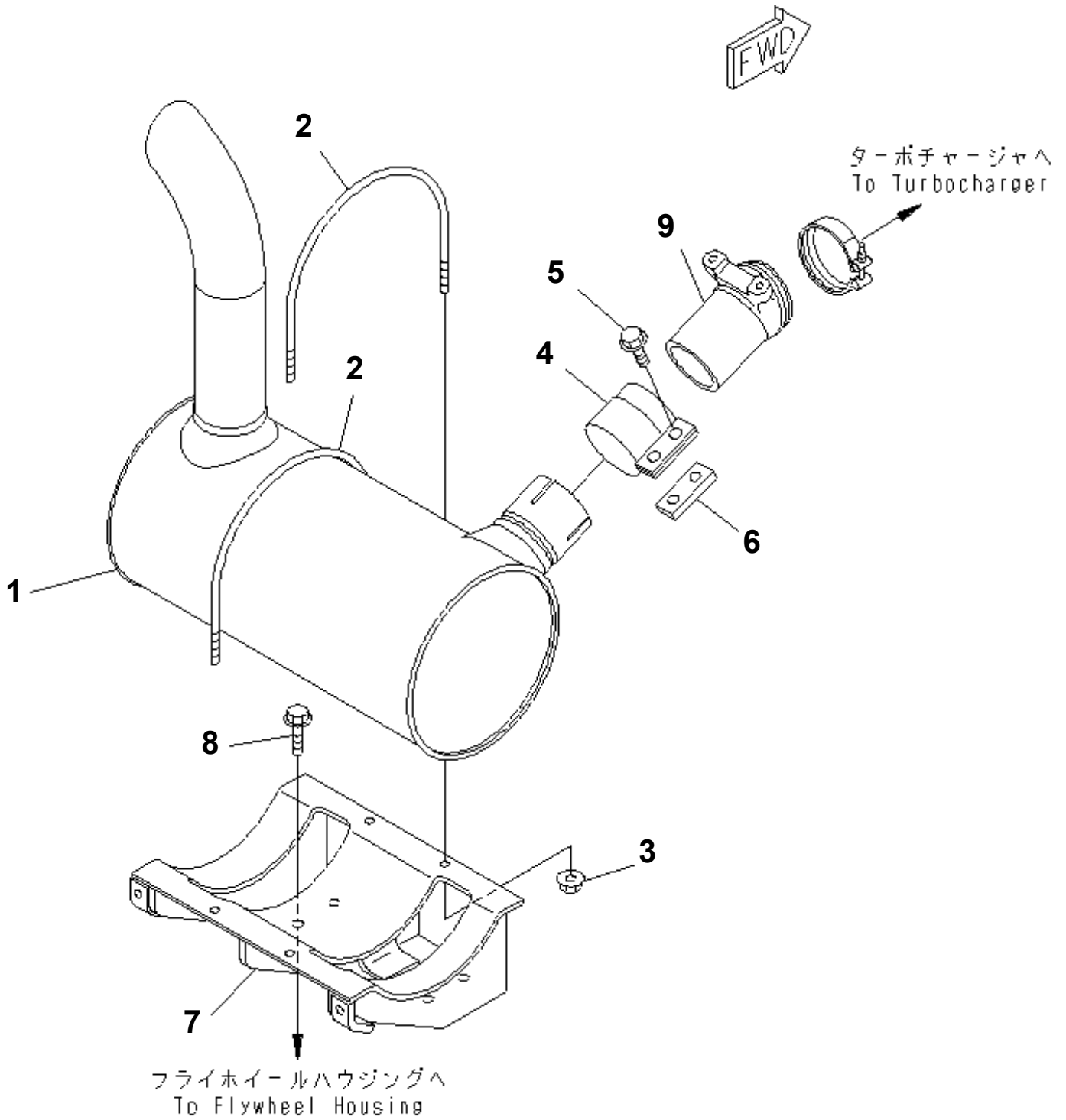
**PC180LC-7K S/N K40001-UP
ENGINE MOUNT**

Item	Part No.	Description	Qty	Options
1	21K-01-71270	CUSHION	8	SN:K40001--
2	22U-01-21330	STOPPER	4	SN:K40001--
3	113-01-21120	WASHER	4	SN:K40001--
4	01011-81640	BOLT	4	SN:K40001--
5	20Y-01-22111	NUT	3	SN:K40001--
6	21K-01-71110	BRACKET	1	SN:K40001--
7	21K-01-71120	BRACKET	1	SN:K40001--
8	01010-81265	BOLT	6	SN:K40001--
9	01643-31232	WASHER	6	SN:K40001--
10	20Y-01-21260	BOSS	6	SN:K40001--
11	21K-01-71131	BRACKET	2	SN:K40001--
12	22B-01-11190	BOLT	8	SN:K40001--
13	01643-31232	WASHER	8	SN:K40001--
14	04020-01228	PIN	2	SN:K40001--
15	21K-01-71181	BRACKET	1	SN:K40001--
16	01010-80825	BOLT	4	SN:K40001--
17	01643-30823	WASHER	4	SN:K40001--
18	01010-81230	BOLT	2	SN:K40001--
19	01643-31232	WASHER	2	SN:K40001--
20	07095-20627	CUSHION	2	SN:K40001--
21	21K-01-71250	BRACKET	1	SN:K40001--
22	21K-01-71260	BRACKET	1	SN:K40001--
23	01010-81225	BOLT	3	SN:K40001--
24	01643-31232	WASHER	3	SN:K40001--
25	08034-20834	BAND	1	SN:K40001--
26	21K-01-71190	TUBE	1	SN:K40001--
27	07260-20956	HOSE	1	SN:K40001--
28	07285-00155	CLIP	1	SN:K40001--
29	01010-81016	BOLT	1	SN:K40001--
30	01643-31032	WASHER	1	SN:K40001--



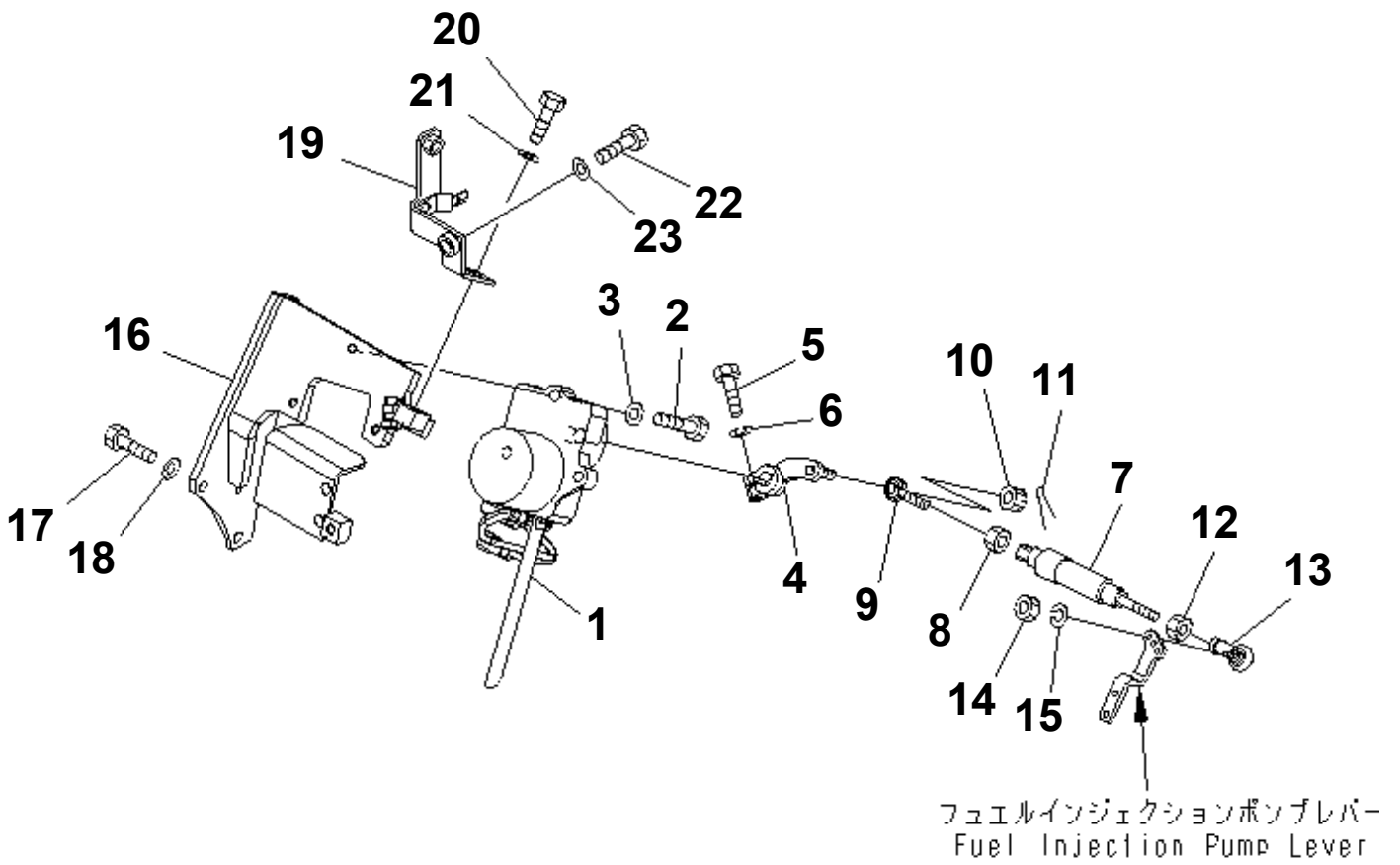
**PC180LC-7K S/N K40001-UP
AIR INTAKE**

Item	Part No.	Description	Qty	Options
1	(6737-81-7401)	AIR CLEANER ASS'Y	1	SN:K40001--
2	07281-02429	CLAMP	2	SN:K40001--
3	21K-01-71141	FRAME	1	SN:K40001--
4	01010-81230	BOLT	4	SN:K40001--
5	01643-31232	WASHER	4	SN:K40001--
6	21K-01-71230	SEAL	1	SN:K40001--
7	21K-01-71150	HOSE	1	SN:K40001--
8	22B-01-11110	RESONATER	1	SN:K40001--
9	07289-00045	CLAMP	1	SN:K40001--
10	07299-00105	CLAMP	1	SN:K40001--
11	07299-00080	CLAMP	1	SN:K40001--
12	21K-01-71211	BRACKET	1	SN:K40001--
13	01010-80825	BOLT	2	SN:K40001--
14	01643-30823	WASHER	2	SN:K40001--
15	01010-81225	BOLT	2	SN:K40001--
16	01643-31232	WASHER	2	SN:K40001--
17	21K-01-71240	BRACKET	1	SN:K40001--
18	07281-01029	CLAMP	1	SN:K40001--
19	01010-81225	BOLT	2	SN:K40001--
20	01643-31232	WASHER	2	SN:K40001--
21	7861-93-1420	SENSOR	1	SN:K40001--



**PC180LC-7K S/N K40001-UP
MUFFLER**

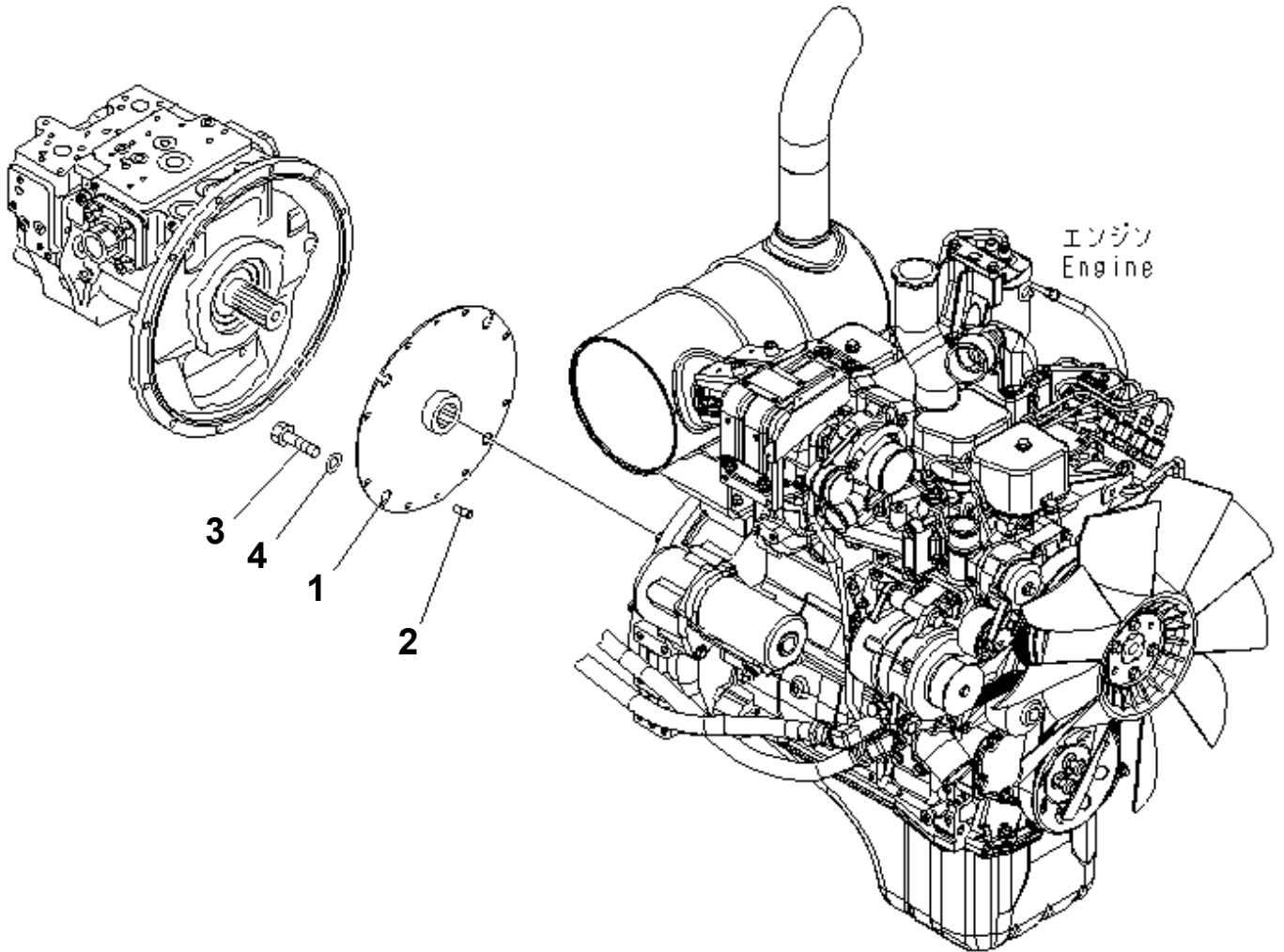
Item	Part No.	Description	Qty	Options
1	6737-11-5540	MUFFLER	1	SN:K40001--
2	6206-11-5980	U-BOLT	2	SN:K40001--
3	01584-00806	NUT	4	SN:K40001--
4	6207-11-5921	CLAMP	1	SN:K40001--
5	01435-01235	BOLT	2	SN:K40001--
6	6207-11-5850	PLATE	1	SN:K40001--
7	6732-11-5420	BRACKET	1	SN:K40001--
8	01435-01025	BOLT	4	SN:K40001--
9	6732-11-5722	TUBE	1	SN:K40001--



P W 1 F 6 4 7

**PC180LC-7K S/N K40001-UP
FUEL CONTROL**

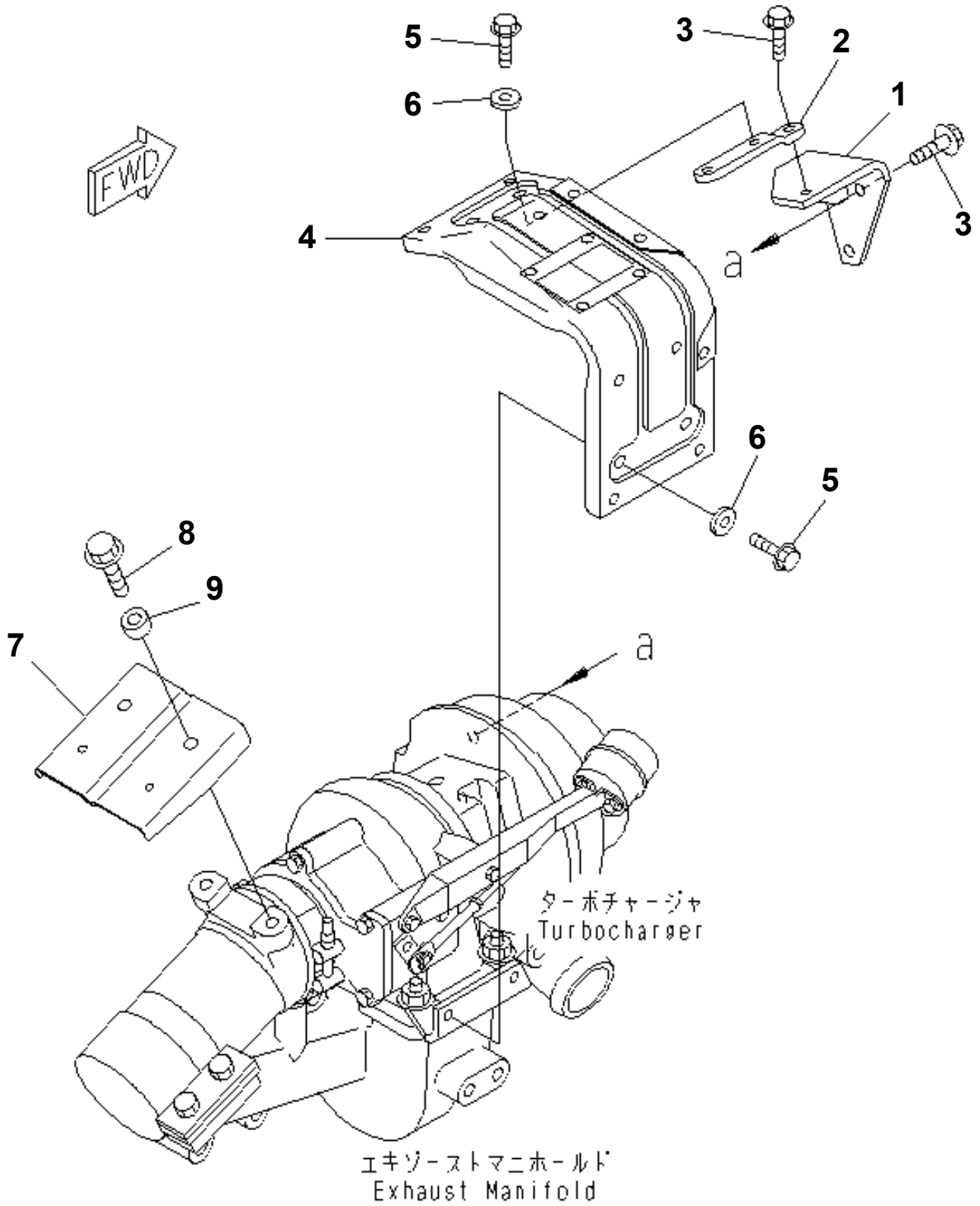
Item	Part No.	Description	Qty	Options
1	7834-41-2001	MOTOR ASS'Y	1	SN:K40019--
	7834-41-2000	MOTOR ASS'Y	1	SN:K40001--K40018
2	01010-81040	BOLT	3	SN:K40001--
3	01643-31032	WASHER	3	SN:K40001--
4	203-43-61120	LEVER	1	SN:K40001--
5	01010-81030	BOLT	1	SN:K40001--
6	01602-21030	WASHER	1	SN:K40001--
7	203-43-62121	SPRING ASS'Y	1	SN:K40001--
8	01582-11008	NUT	1	SN:K40001--
9	04252-21061	END,ROD	1	SN:K40001--
10	01593-31008	NUT	1	SN:K40001--
11	04050-12018	PIN	1	SN:K40001--
12	01582-11008	NUT	1	SN:K40001--
13	20Y-43-12180	JOINT	1	SN:K40001--
14	01580-10605	NUT	1	SN:K40001--
15	01602-20619	WASHER	1	SN:K40001--
16	21K-43-71110	BRACKET	1	SN:K40001--
17	01010-81050	BOLT	2	SN:K40001--
18	01643-31032	WASHER	2	SN:K40001--
19	21K-43-71121	BRACKET	1	SN:K40001--
20	01010-81225	BOLT	1	SN:K40001--
21	01643-31232	WASHER	1	SN:K40001--
22	01050-81230	BOLT	1	SN:K40001--
23	01643-31232	WASHER	1	SN:K40001--



0 0 0 0 5 6 0 4

**PC180LC-7K S/N K40001-UP
DAMPER**

Item	Part No.	Description	Qty	Options
1	22U-01-21310	DISK DAMPER	1	SN:K40001--
2	203-01-51120	PIN	2	SN:K40001--
3	01010-81020	BOLT	8	SN:K40001--
4	01643-31032	WASHER	8	SN:K40001--



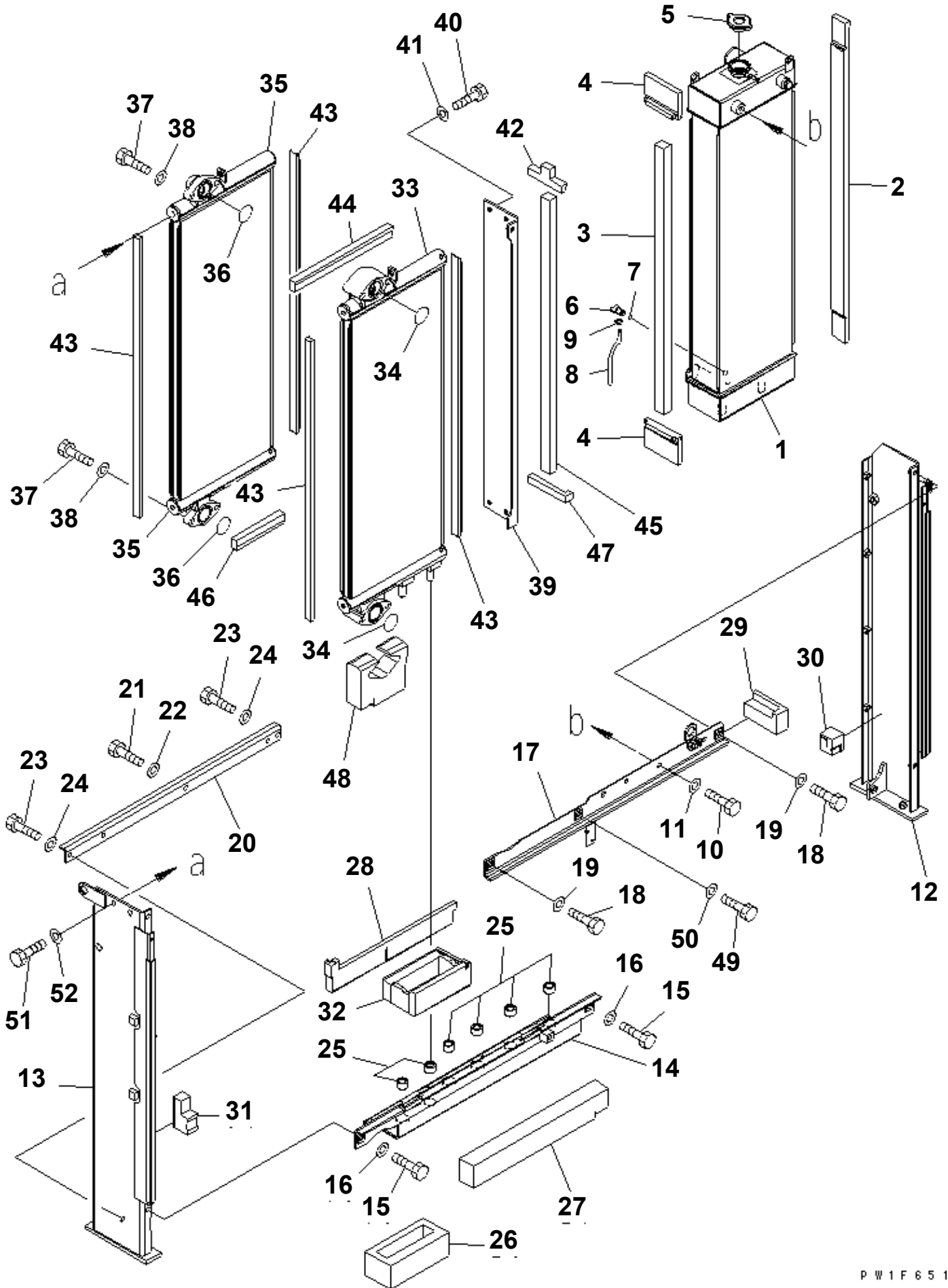
0 0 0 0 5 6 0 5

**PC180LC-7K S/N K40001-UP
HEAT SHIELD**

Item	Part No.	Description	Qty	Options
1	6737-81-8410	BRACKET	1	SN:K40001--
2	6732-81-8430	BRACKET	1	SN:K40001--
3	01435-00816	BOLT	3	SN:K40001--
4	6737-81-8510	COVER	1	SN:K40001--
5	01435-00816	BOLT	4	SN:K40001--
6	6201-81-6560	SPACER	4	SN:K40001--
7	6732-81-8450	COVER	1	SN:K40001--
8	01435-00820	BOLT	2	SN:K40001--
9	6131-12-4570	SPACER	2	SN:K40001--

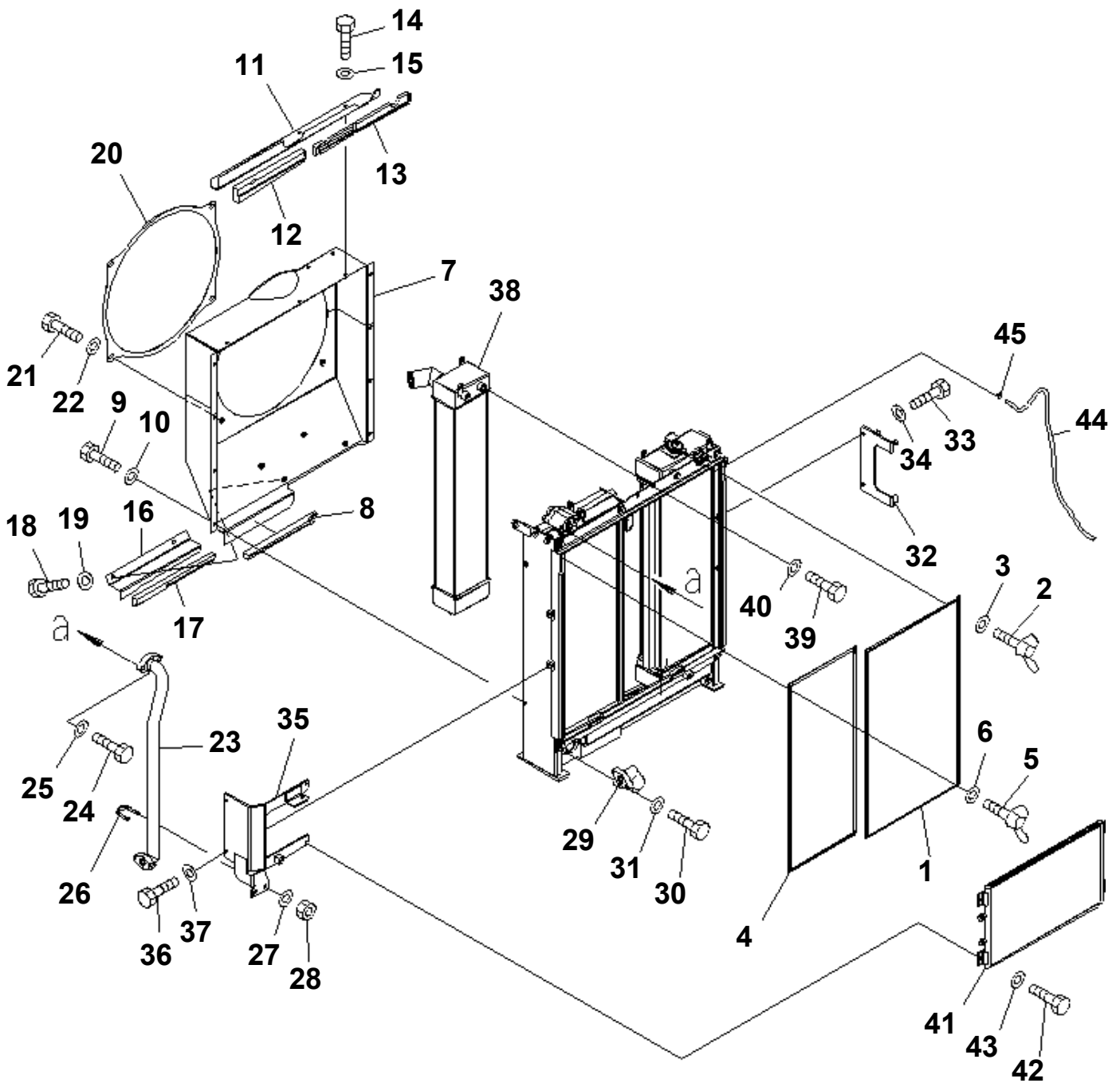
**PC180LC-7K S/N K40001-UP
COOLING SYSTEM**

Item	Description	Qty	Page
10	COOLING (RADIATOR AND OIL COOLER)	1	060010
20	COOLING (NET AND SHROUD)	1	060020
30	COOLING (SHEET AND RADIATOR PIPING)	1	060030
40	COOLING (SUB TANK AND RADIATOR MOUNT)	1	060040
50	COOLING (AFTER COOLER PIPING AND OIL COOLER DRAIN HOSE)	1	060050
60	COOLING FAN	1	060060
70	FAN GUARD	1	060070



**PC180LC-7K S/N K40001-UP
COOLING (RADIATOR AND OIL COOLER)**

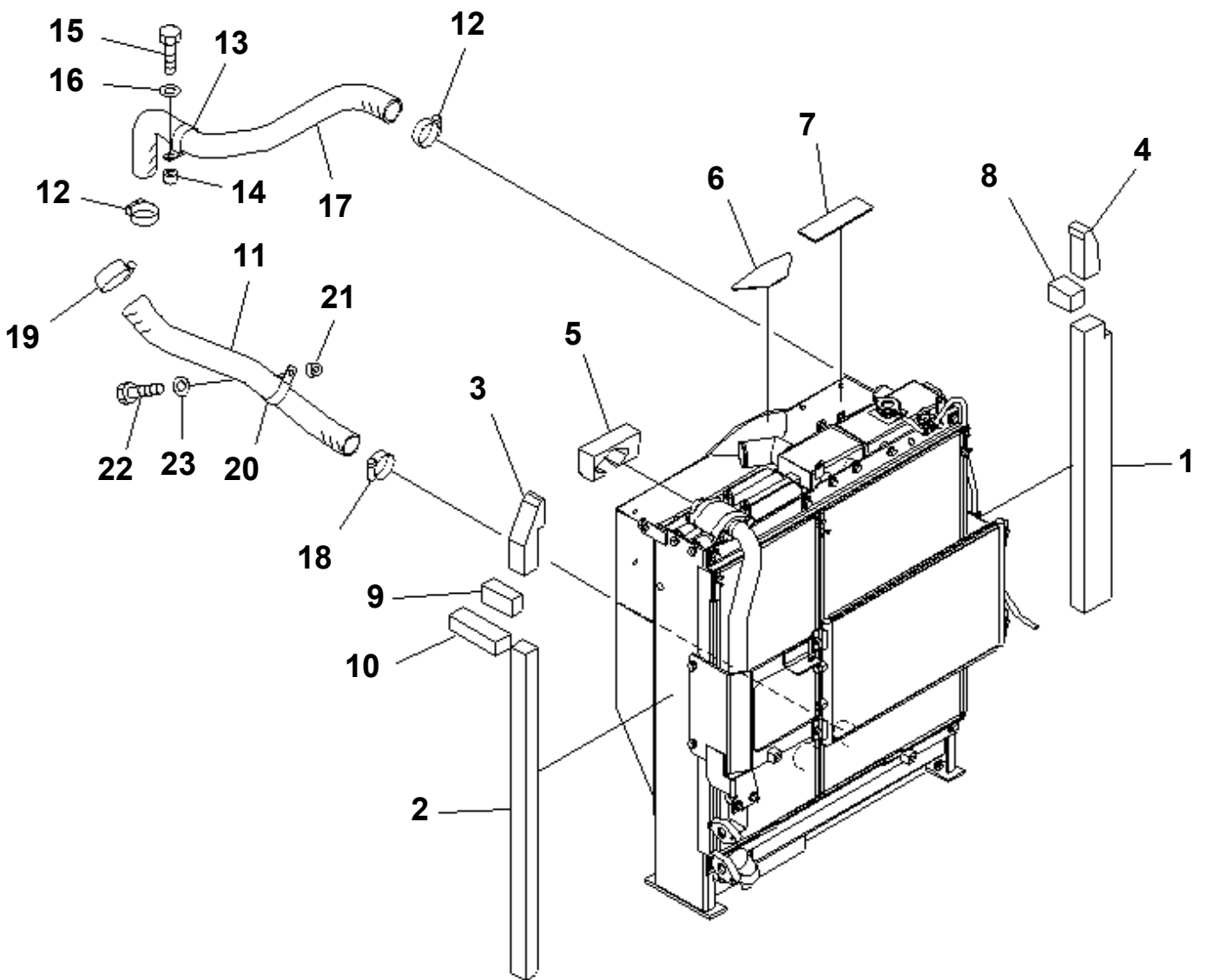
Item	Part No.	Description	Qty	Options
1	21K-03-71111	RADIATOR CORE ASS'Y	1	SN:K40001--
2	21K-03-71621	SHEET	1	SN:K40001--
3	21K-03-71671	SHEET	1	SN:K40001--
4	21K-03-71681	SHEET	2	SN:K40001--
5	20Y-03-22110	CAP	1	SN:K40001--
6	205-03-62660	PLUG	1	SN:K40001--
7	07000-11007	O-RING	1	SN:K40001--
8	203-03-41410	HOSE	1	SN:K40001--
9	20Y-03-11330	CLIP	1	SN:K40001--
10	01010-81020	BOLT	2	SN:K40001--
11	01643-31032	WASHER	2	SN:K40001--
12	21K-03-71161	FRAME	1	SN:K40001--
13	21K-03-71171	FRAME	1	SN:K40001--
14	21K-03-71181	FRAME	1	SN:K40001--
15	01010-81025	BOLT	2	SN:K40001--
16	01643-31032	WASHER	2	SN:K40001--
17	21K-03-71191	FRAME	1	SN:K40001--
18	01010-81025	BOLT	2	SN:K40001--
19	01643-31032	WASHER	2	SN:K40001--
20	21K-03-71441	FRAME	1	SN:K40001--
21	01010-81025	BOLT	3	SN:K40001--
22	01643-31032	WASHER	3	SN:K40001--
23	01010-81030	BOLT	2	SN:K40001--
24	01643-31032	WASHER	2	SN:K40001--
25	22B-03-12590	CUSHION	6	SN:K40001--
26	21K-03-71281	SHEET	1	SN:K40001--
27	21K-03-71321	SHEET	1	SN:K40001--
28	21K-03-71631	SHEET	1	SN:K40001--
29	21K-03-71650	SHEET	1	SN:K40001--
30	21K-03-71690	SHEET	1	SN:K40001--
31	21K-03-71710	SHEET	1	SN:K40001--
32	21K-03-71721	SHEET	1	SN:K40001--
33	21K-03-71121	OIL COOLER	1	SN:K40001--
34	07000-13045	O-RING	2	SN:K40001--
35	21K-03-71471	OIL COOLER	1	SN:K40001--
36	07000-13045	O-RING	2	SN:K40001--
37	01010-81240	BOLT	4	SN:K40001--
38	01643-31232	WASHER	4	SN:K40001--
39	21K-03-71141	BRACKET	1	SN:K40001--
40	01010-81020	BOLT	4	SN:K40001--
41	01643-31032	WASHER	4	SN:K40001--
42	21K-03-71581	SHEET	1	SN:K40001--
43	21K-03-71590	SHEET	4	SN:K40001--
44	21K-03-71611	SHEET	1	SN:K40001--
45	21K-03-71641	SHEET	1	SN:K40001--
46	21K-03-71730	SHEET	1	SN:K40001--
47	21K-03-71741	SHEET	1	SN:K40001--
48	21K-03-71750	SHEET	1	SN:K40001--
49	01010-81025	BOLT	1	SN:K40001--
50	01643-31032	WASHER	1	SN:K40001--
51	01010-81020	BOLT	2	SN:K40001--
52	01643-31032	WASHER	2	SN:K40001--



P W 1 F 6 5 2

**PC180LC-7K S/N K40001-UP
COOLING (NET AND SHROUD)**

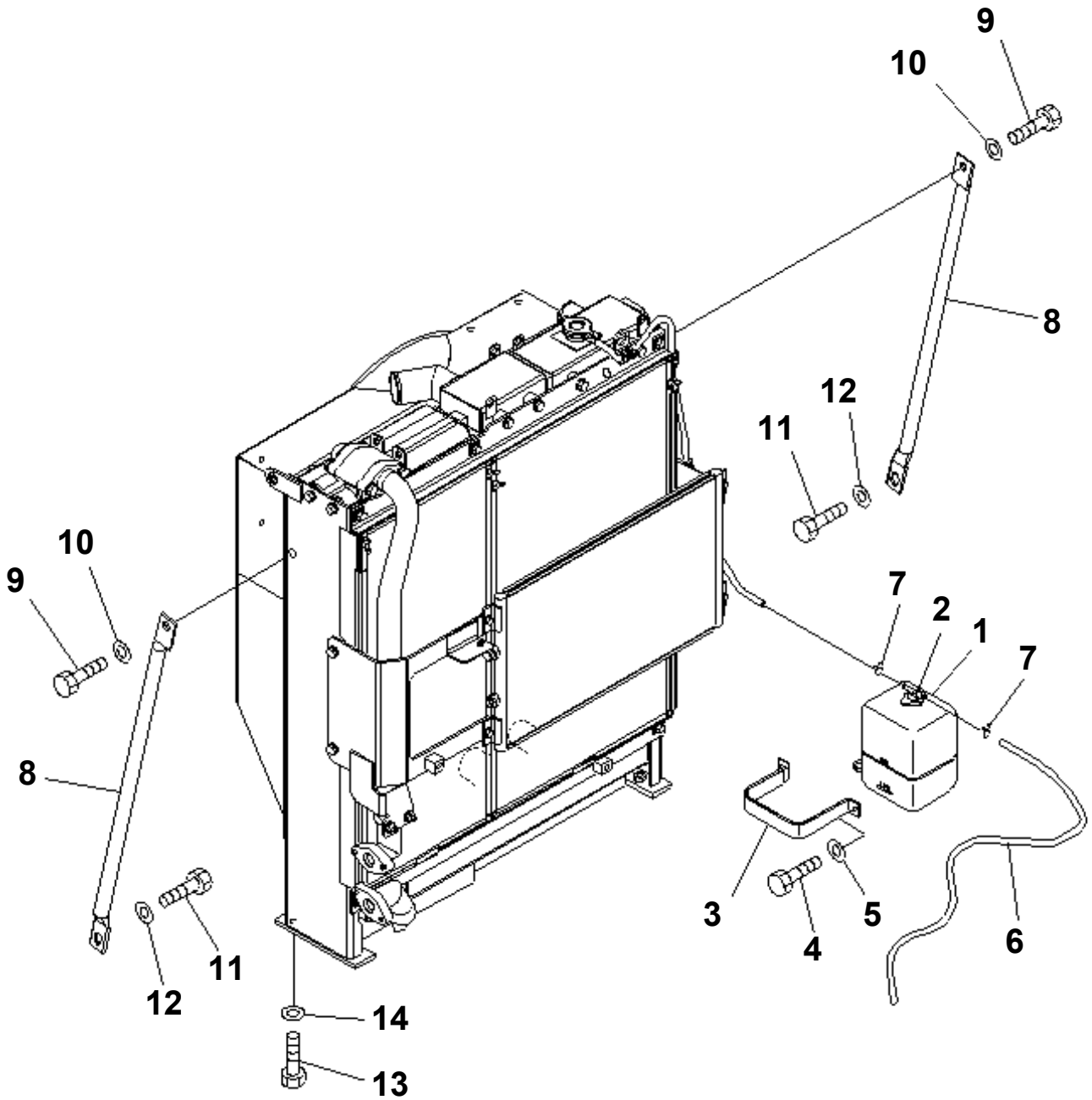
Item	Part No.	Description	Qty	Options
1	21K-03-71421	NET	1	SN:K40001--
2	01434-10616	BOLT?WING	2	SN:K40001--
3	01643-30623	WASHER	2	SN:K40001--
4	21K-03-71431	NET	1	SN:K40001--
5	01434-10616	BOLT?WING	2	SN:K40001--
6	01643-30623	WASHER	2	SN:K40001--
7	21K-03-71371	SHROUD	1	SN:K40001--
8	21K-03-71541	SHEET	1	SN:K40001--
9	01010-81020	BOLT	8	SN:K40001--
10	01643-31032	WASHER	8	SN:K40001--
11	21K-03-71830	COVER	1	SN:K40001--
12	21K-03-71511	· SHEET	1	SN:K40001--
13	21K-03-71521	SHEET	1	SN:K40001--
14	01010-81020	BOLT	3	SN:K40001--
15	01643-31032	WASHER	3	SN:K40001--
16	21K-03-71840	COVER	1	SN:K40001--
17	21K-03-71561	· SHEET	1	SN:K40001--
18	01010-81020	BOLT	2	SN:K40001--
19	01643-31032	WASHER	2	SN:K40001--
20	21K-03-71380	PLATE	1	SN:K40001--
21	01010-81020	BOLT	4	SN:K40001--
22	01643-31032	WASHER	4	SN:K40001--
23	21K-03-71331	TUBE	1	SN:K40001--
24	01010-81245	BOLT	2	SN:K40001--
25	01643-31232	WASHER	2	SN:K40001--
26	07283-34346	CLIP	1	SN:K40001--
27	01643-31032	WASHER	2	SN:K40001--
28	01597-01009	NUT	2	SN:K40001--
29	21K-03-71341	TUBE	1	SN:K40001--
30	01010-81245	BOLT	2	SN:K40001--
31	01643-31232	WASHER	2	SN:K40001--
32	21K-03-71351	BRACKET	1	SN:K40001--
33	01010-81020	BOLT	2	SN:K40001--
34	01643-31032	WASHER	2	SN:K40001--
35	21K-03-71361	BRACKET	1	SN:K40001--
36	01010-81020	BOLT	2	SN:K40001--
37	01643-31032	WASHER	2	SN:K40001--
38	21K-03-71151	AFTER COOLER	1	SN:K40001--
39	01010-81020	BOLT	2	SN:K40001--
40	01643-31032	WASHER	2	SN:K40001--
41	20Y-979-6131	CONDENSER ASS'Y	1	SN:K40001--
42	01010-80820	BOLT	4	SN:K40001--
43	01643-30823	WASHER	4	SN:K40001--
44	20Y-03-12220	HOSE	1	SN:K40001--
45	206-03-43340	CLIP	1	SN:K40001--



P W I F 6 5 3

**PC180LC-7K S/N K40001-UP
COOLING (SHEET AND RADIATOR PIPING)**

Item	Part No.	Description	Qty	Options
1	21K-03-71261	SHEET	1	SN:K40001--
2	21K-03-71270	SHEET	1	SN:K40001--
3	21K-03-71291	SHEET	1	SN:K40001--
4	21K-03-71311	SHEET	1	SN:K40001--
5	21K-03-71771	SHEET	1	SN:K40001--
6	21K-03-71780	SHEET	1	SN:K40001--
7	21K-03-71790	SHEET	1	SN:K40001--
8	21K-03-71850	SHEET	1	SN:K40001--
9	21K-03-71860	SHEET	1	SN:K40001--
10	21K-03-71870	SHEET	1	SN:K40001--
11	21K-03-71221	HOSE	1	SN:K40001--
12	07289-00055	CLAMP	2	SN:K40001--
13	208-62-38370	CLIP	1	SN:K40001--
14	201-03-29160	SPACER	1	SN:K40001--
15	01010-81040	BOLT	1	SN:K40001--
16	01643-31032	WASHER	1	SN:K40001--
17	21K-03-71211	HOSE	1	SN:K40001--
18	07289-00055	CLAMP	1	SN:K40001--
19	07289-00070	CLAMP	1	SN:K40001--
20	208-62-38370	CLIP	1	SN:K40001--
21	201-03-29160	SPACER	1	SN:K40001--
22	01010-81035	BOLT	1	SN:K40001--
23	01643-31032	WASHER	1	SN:K40001--





Download the full PDF manual instantly.

Our customer service e-mail:

aservicemanualpdf@yahoo.com