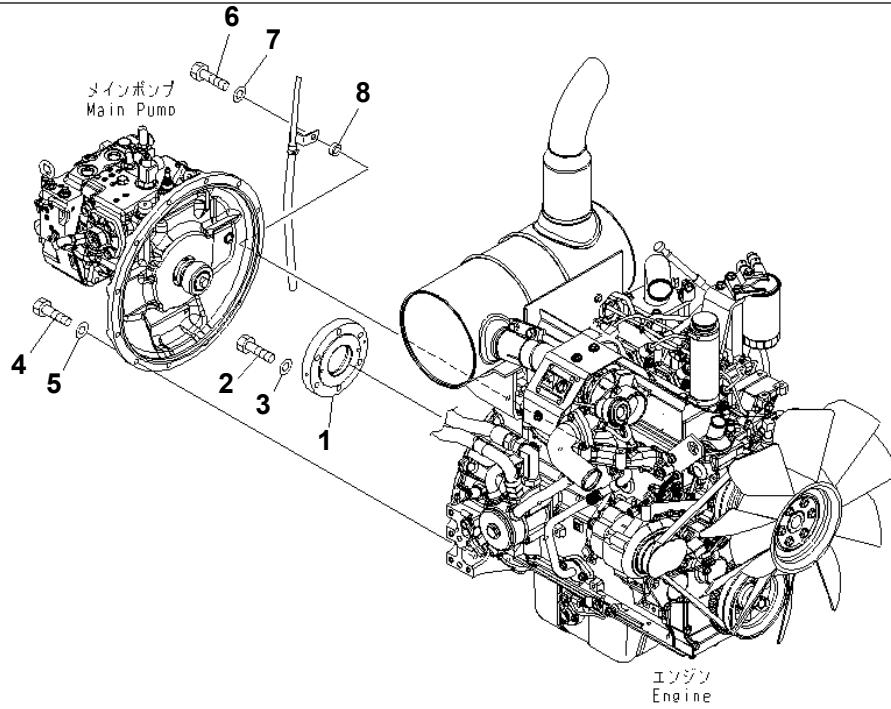


PC138US-8 S/N 20001-24509
PC138US-8 S/N 20001-24509

Item	Part Name
	SAA4D95LE_5A S/N 500001-UP
B0	ENGINE RELATED PARTS
C0	COOLING SYSTEM
D0	FUEL TANK AND RELATED PARTS
E0	ELECTRICAL SYSTEM
H0	HYDRAULIC SYSTEM
J0	MAIN/REVOLVING FRAME AND RELATED PARTS
K0	OPERATOR'S COMPARTMENT AND CONTROL SYSTEM
M0	GUARD
N0	SWING CIRCLE AND RELATED PARTS
P0	TRAVEL AND LOWER PIPING
R0	UNDER CARRIAGE
T0	WORK EQUIPMENT
U0	MARKS AND PLATES
V0	ACCESSORY
Y0	SERVICE KIT AND COMPONENT PARTS

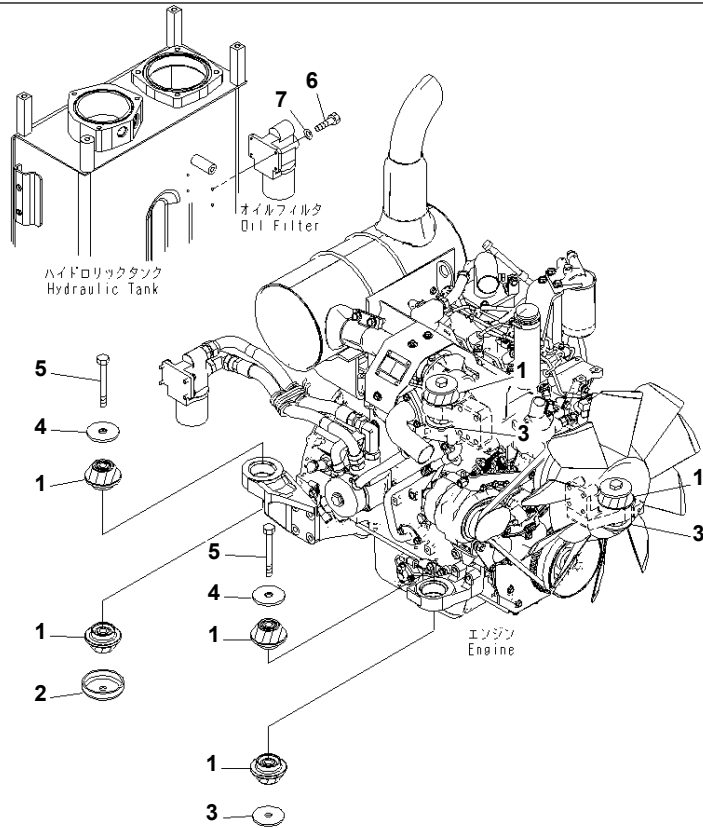
PC138US-8 S/N 20001-24509
ENGINE RELATED PARTS

Item	Part Name	Qty
10	COUPLING AND MAIN PUMP MOUNTING PARTS(#20001-)	1
20	ENGINE MOUNT(#20001-)	1
30	ENGINE MOUNT (MOUNT BRACKET)(#20001-)	1
40	AIR CLEANER (EXCEPT JAPAN)(#20001-)	1
50	CORROSION RESISTER(#20001-)	1



PC138US-8 S/N 20001-24509
COUPLING AND MAIN PUMP MOUNTING PARTS(#20001-)

Item	Part No.	Part Name	Qty	Serial No.
1	708-3D-12220	COUPLING	1	20001-
2	01010-81245	BOLT	6	20001-
3	01643-31232	WASHER	6	20001-
4	01010-81040	BOLT	11	20001-
5	01643-31032	WASHER	11	20001-
6	01010-81050	BOLT	1	20001-
7	01643-31032	WASHER	1	20001-
8	205-917-1610	COLLAR	1	20001-



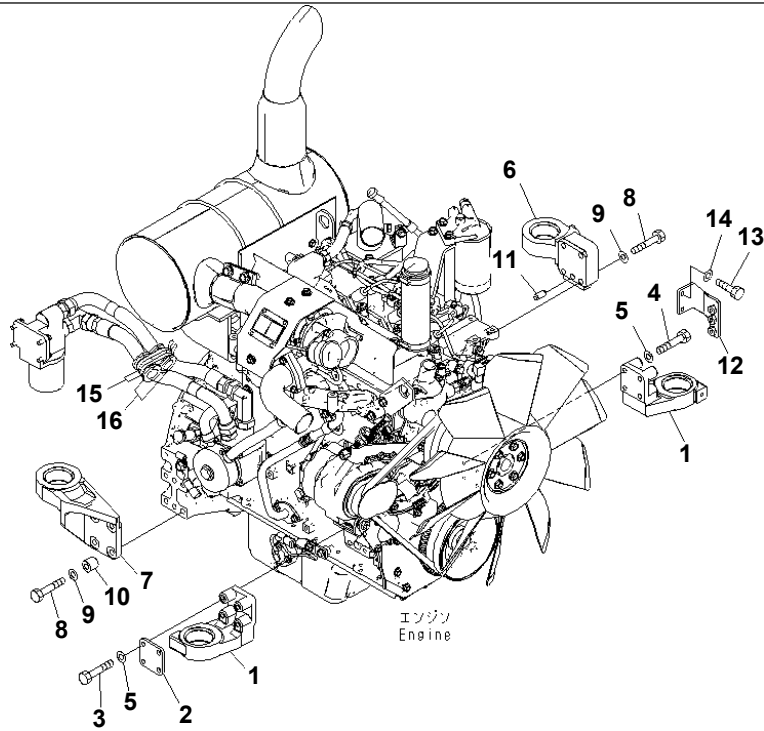
00059652

Ref. B0100-01A0

Page 030020

PC138US-8 S/N 20001-24509
ENGINE MOUNT(#20001-)

Item	Part No.	Part Name	Qty	Serial No.
1	22B-01-21530	CUSHION	8	20001-
2	203-01-61160	STOPPER	1	20001-
3	203-01-67540	WASHER	3	20001-
4	113-01-21120	WASHER	4	20001-
5	01011-81630	BOLT	4	20001-
6	01010-80825	BOLT	4	20001-
7	01643-30823	WASHER	4	20001-



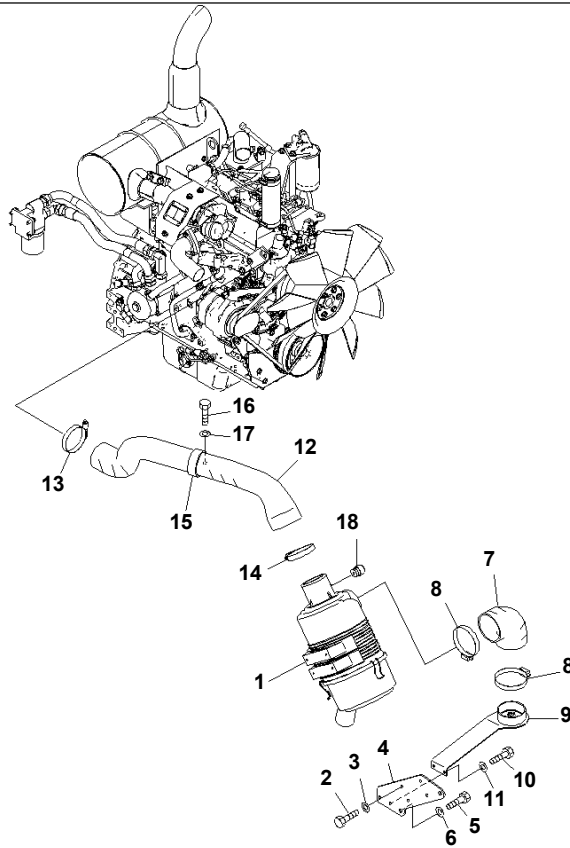
00059653

Ref. B0100-02A0

Page 030030

PC138US-8 S/N 20001-24509
ENGINE MOUNT (MOUNT BRACKET)(#20001-)

Item	Part No.	Part Name	Qty	Serial No.
1	22B-01-21510	BRACKET	2	20001-
2	22B-01-21520	PLATE	1	20001-
3	22B-01-21380	BOLT	4	20001-
4	22B-01-21190	BOLT	4	20001-
5	01643-31032	WASHER	8	20001-
6	203-01-61110	BRACKET	1	20001-
7	203-01-61120	BRACKET	1	20001-
8	22B-01-11190	BOLT	8	20001-
9	01643-31232	WASHER	8	20001-
10	6131-22-3750	BOSS	4	20001-
11	04020-01228	PIN	1	20001-
12	22B-01-21211	BRACKET	1	20001-
13	01010-80820	BOLT	2	20001-
14	01643-30823	WASHER	2	20001-
15	08034-20519	BAND	2	20001-
16	07095-00526	CUSHION	2	20001-



00059655

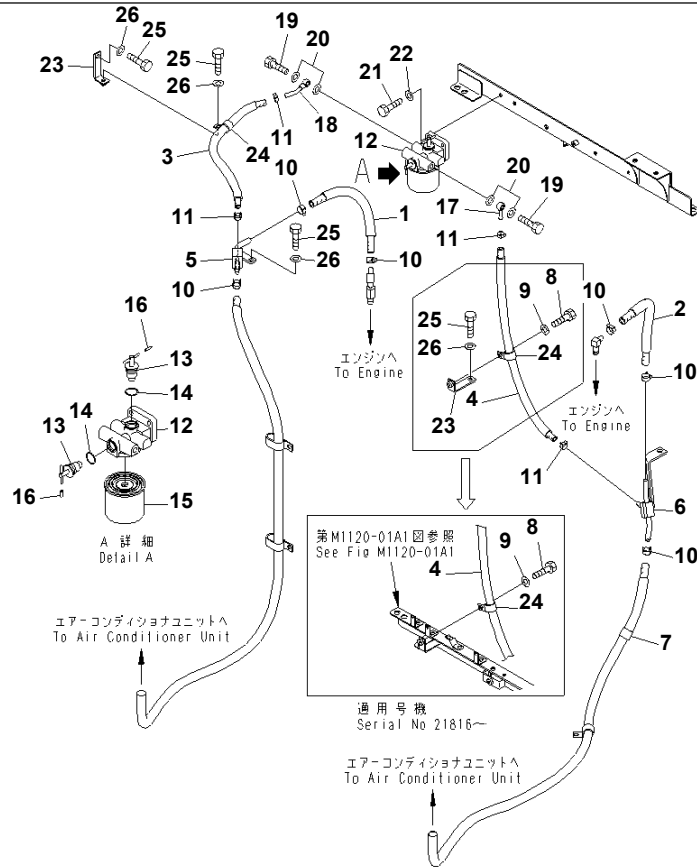
Ref. B0200-01A1

Page 030040

PC138US-8 S/N 20001-24509
AIR CLEANER (EXCEPT JAPAN)(#20001-)

Item	Part No.	Part Name	Qty	Serial No.
1	(6271-81-7100)	AIR CLEANER	1	20001-
2	01010-80820	BOLT	4	20001-
3	01643-30823	WASHER	4	20001-
4	22B-01-21181	PLATE	1	20001-
5	01010-81225	BOLT	2	20001-
6	01643-31232	WASHER	2	20001-
7	22B-01-21250	HOSE	1	20001-
8	07289-00105	CLAMP	2	20001-
9	22B-01-21261	BRACKET	1	20001-
10	01010-80820	BOLT	2	20001-
11	01643-30823	WASHER	2	20001-
12	22B-01-21361	HOSE	1	22000-
13	□22B-01-21360	HOSE	1	20001-21999
14	07299-00095	CLAMP	1	20001-
15	22B-01-13280	CLIP	1	22000-
	21J-62-17890	CLIP	1	20001-21999
16	01010-81025	BOLT	1	20001-
17	01643-31032	WASHER	1	20001-
18	08670-12001	INDICATOR	1	20001-

PC138US-8 S/N 2001-24509
00082014



00082014

Ref. B0920-01A0

Page 030050

PC138US-8 S/N 2001-24509
CORROSION RESISTER(#20001-)

Item	Part No.	Part Name	Qty	Serial No.
1	22B-979-2230	HOSE, 390MM	1	20001-
2	22B-979-2260	HOSE, 400MM	1	20001-
3	22B-979-2270	HOSE, 620MM	1	20001-
4	22B-979-2280	HOSE, 650MM	1	20001-
5	22B-979-2210	TUBE	1	20001-
6	22B-979-2220	TUBE	1	20001-
7	04434-52712	CLIP	1	20001-
8	01010-81025	BOLT	1	20001-
9	01643-31032	WASHER	1	20001-
10	11Y-09-11160	CLIP	6	20001-
11	11Y-09-11140	CLIP	4	20001-
	6271-61-8100	CORROSION ASS'Y	1	20001-
12	600-411-2310	・ HEAD ASS'Y	1	20001-
13	600-411-2120	・ VALVE ASS'Y	2	20001-
14	600-411-2130	・ GASKET	2	20001-
15	☆	・ CARTRIDGE	1	20001-
16	201-977-7340	CAP	4	20001-
17	205-04-62150	JOINT	1	20001-
18	22B-979-2290	JOINT	1	20001-
19	07206-31014	BOLT	2	20001-
20	07005-01412	GASKET	4	20001-
21	01010-81030	BOLT	2	20001-
22	01643-31032	WASHER	2	20001-
23	22B-979-2410	BRACKET	1	21816-
	22B-979-2410	BRACKET	2	20001-21815
24	04434-52310	CLIP	2	20001-
25	01010-81025	BOLT	3	21816-
	01010-81025	BOLT	4	20001-21815
26	01643-31032	WASHER	3	21816-

Reference: B0920-01A0

Page: 030050

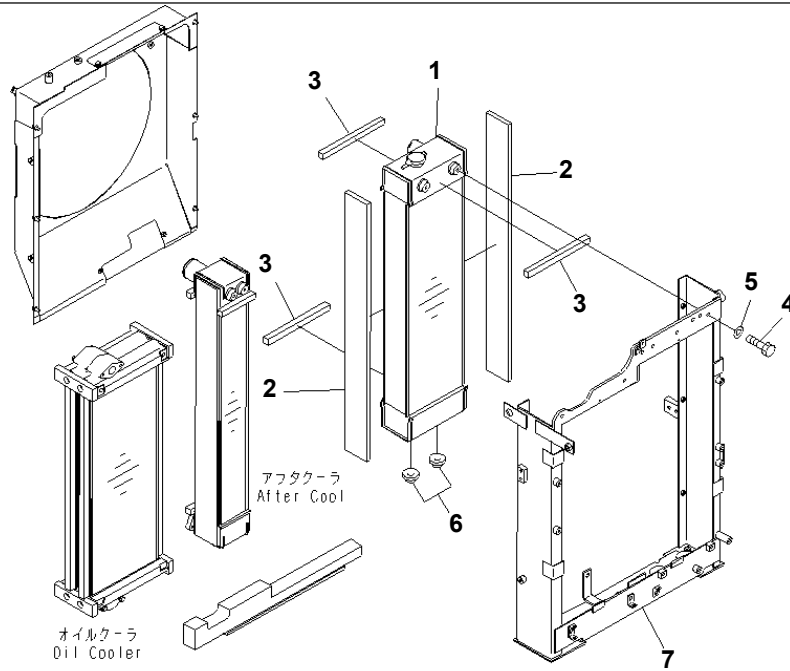
PC138US-8 S/N 20001-24509
CORROSION RESISTER(#20001-)

Item	Part No.	Part Name	Qty	Serial No.
26	01643-31032	WASHER	4	20001-21815

PC138US-8 S/N 20001-24509

COOLING SYSTEM

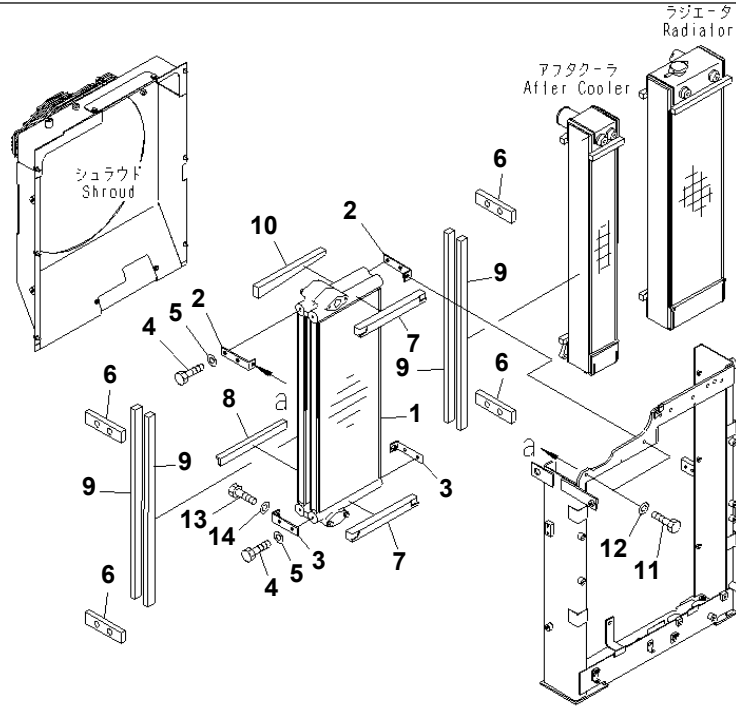
Item	Part Name	Qty
10	COOLING (RADIATOR AND FRAME)(#20001-)	1
20	COOLING (OIL COOLER)(#20001-)	1
30	COOLING (AFTER COOLER AND SHROUD)(#20001-)	1
40	COOLING (FUEL COOLER)(#20001-)	1
50	COOLING (RADIATOR AND AFTER COOLER PIPING)(#20001-)	1
60	COOLING (SUB TANK)(#20001-)	1
70	COOLING (RADIATOR MOUNT)(#20001-)	1
80	FAN GUARD(#20001-)	1



PC138US-8 S/N 20001-24509
COOLING (RADIATOR AND FRAME)(#20001-)

Item	Part No.	Part Name	Qty	Serial No.
1	22B-03-21411	RADIATOR ASS'Y	1	20001-
2	22B-03-21460	・ SHEET (BONDED)	2	20001-
3	22B-03-21470	・ SHEET (BONDED)	3	20001-
4	01010-81025	BOLT	2	20001-
5	01643-31032	WASHER	2	20001-
6	20Y-03-41580	CUSHION	2	20001-
7	22B-03-21141	BRACKET	1	20001-

PC138US-8 S/N 2001-24509
00059694



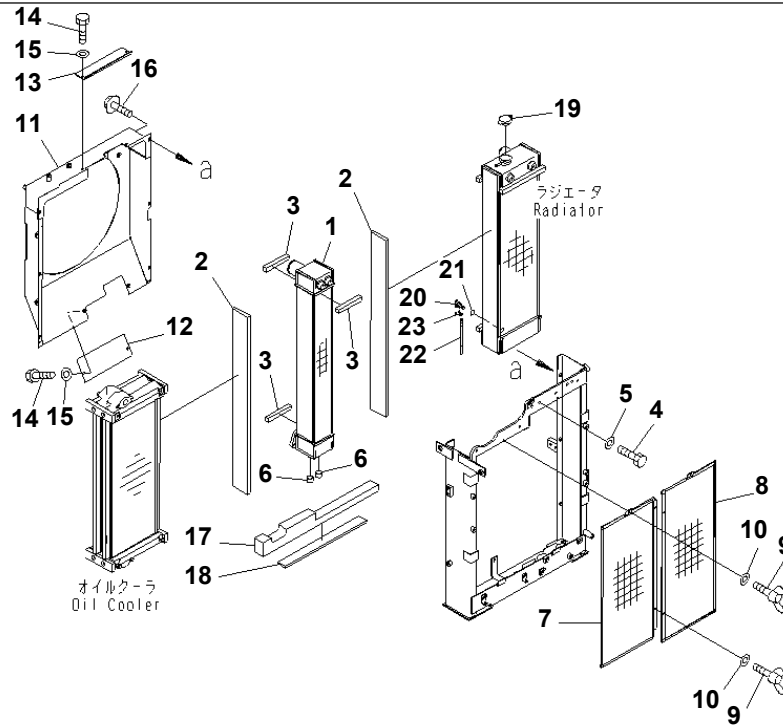
00059694

Ref. C0100-02A0

Page 060020

PC138US-8 S/N 2001-24509
COOLING (OIL COOLER)(#20001-)

Item	Part No.	Part Name	Qty	Serial No.
1	22B-03-21421	OIL COOLER ASS'Y	1	20001-
2	22B-03-21260	・ PLATE	2	20001-
3	22B-03-21270	・ PLATE	2	20001-
4	01010-81020	・ BOLT	8	20001-
5	01643-31032	・ WASHER	8	20001-
6	22B-03-21550	・ SHEET (BONDED)	4	20001-
7	22B-03-21561	・ SHEET (BONDED)	2	20001-
8	22B-03-21571	・ SHEET (BONDED)	1	20001-
9	22B-03-21580	・ SHEET (BONDED)	4	20001-
10	22B-03-21491	・ SHEET (BONDED)	1	20001-
11	01010-81025	BOLT	2	20001-
12	01643-31032	WASHER	2	20001-
13	01010-81020	BOLT	2	20001-
14	01643-31032	WASHER	2	20001-



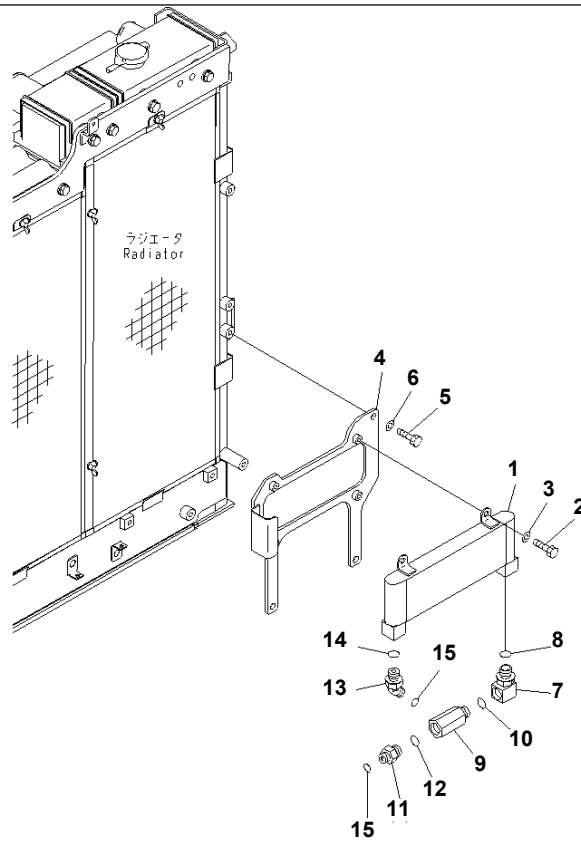
00059657

Ref. C0100-03A0

Page 060030

PC138US-8 S/N 20001-24509
COOLING (AFTER COOLER AND SHROUD)(#20001-)

Item	Part No.	Part Name	Qty	Serial No.
1	22B-03-21431	AFTER COOLER ASS'Y	1	20001-
2	22B-03-21441	・ SHEET (BONDED)	2	20001-
3	22B-03-21451	・ SHEET (BONDED)	3	20001-
4	01010-81025	BOLT	2	20001-
5	01643-31032	WASHER	2	20001-
6	22B-03-12590	CUSHION	2	20001-
7	22B-03-21181	NET	1	20001-
8	22B-03-21191	NET	1	20001-
9	01434-10620	BOLT, WING	4	20001-
10	01643-30623	WASHER	4	20001-
11	22B-03-21152	SHROUD	1	22000-
	□22B-03-21151	SHROUD	1	20001-21999
12	22B-03-21160	COVER	1	20001-
13	22B-03-21170	COVER	1	20001-
14	01010-80812	BOLT	4	20001-
15	01643-30823	WASHER	4	20001-
16	01435-20816	BOLT	6	20001-
17	22B-03-21481	SHEET (BONDED)	1	20001-
18	22B-03-21540	SHEET (BONDED)	1	20001-
19	22B-03-11350	CAP	1	20001-
20	205-03-62660	PLUG	1	20001-
21	07000-11007	・ O-RING	1	20001-
22	203-03-41410	HOSE	1	20001-
23	20Y-03-11330	CLIP	1	20001-



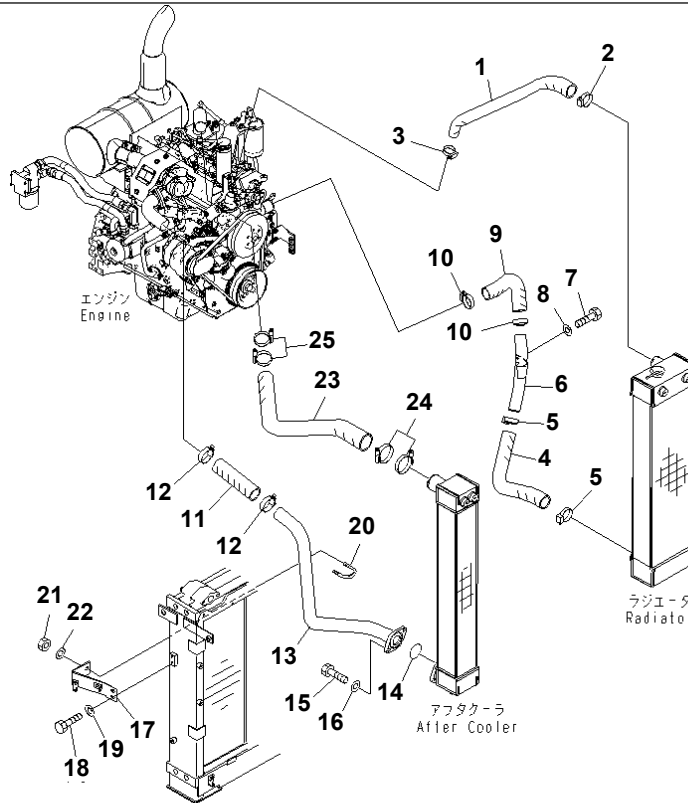
00059658

Ref. C0100-04A0

Page 060040

PC138US-8 S/N 20001-24509
COOLING (FUEL COOLER)(#20001-)

Item	Part No.	Part Name	Qty	Serial No.
1	208-03-71160	FUEL COOLER	1	20001-
2	01010-80820	BOLT	4	20001-
3	01643-30823	WASHER	4	20001-
4	22B-03-21750	BRACKET	1	20001-
5	01010-81025	BOLT	3	20001-
6	01643-31032	WASHER	3	20001-
7	21X-62-21140	ELBOW	1	20001-
8	07002-12034	O-RING	1	20001-
9	201-973-7540	JOINT	1	20001-
10	07002-12034	O-RING	1	20001-
11	02781-00315	UNION	1	20001-
12	07002-12034	O-RING	1	20001-
13	02783-10315	ELBOW	1	20001-
14	07002-12034	O-RING	1	20001-
15	02896-11009	O-RING	2	20001-



00059659

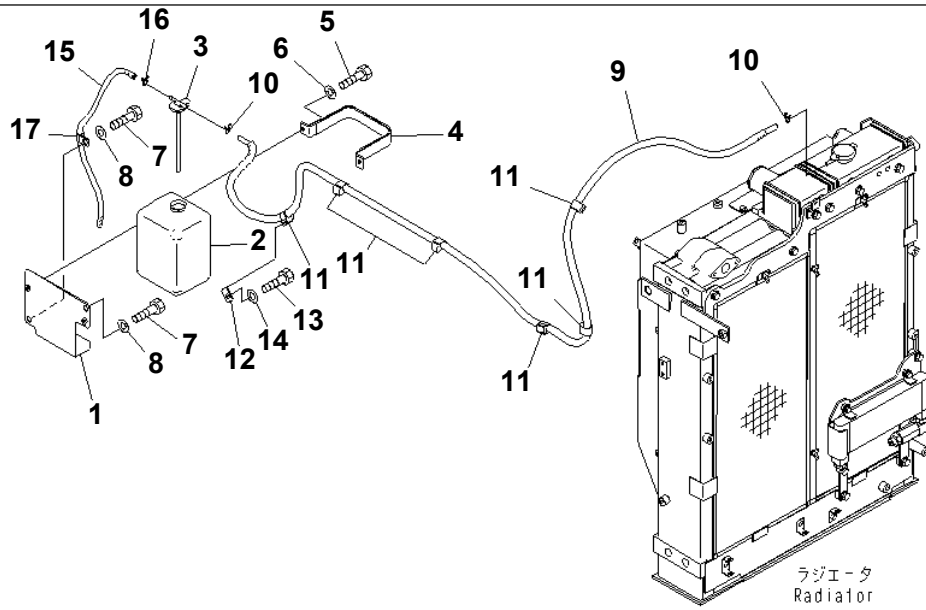
Ref. C0100-05A0

Page 060050

PC138US-8 S/N 20001-24509
COOLING (RADIATOR AND AFTER COOLER PIPING)(#20001-)

Item	Part No.	Part Name	Qty	Serial No.
1	22B-03-21211	HOSE	1	20001-
2	07289-00055	CLAMP	1	20001-
3	07289-00045	CLAMP	1	20001-
4	22B-03-21221	HOSE	1	20001-
5	07289-00055	CLAMP	2	20001-
6	22B-03-13360	TUBE	1	20001-
7	01010-81025	BOLT	2	20001-
8	01643-31032	WASHER	2	20001-
9	22B-03-13350	HOSE	1	20001-
10	07289-00055	CLAMP	2	20001-
11	22B-01-21141	HOSE	1	20001-
12	17A-03-41540	CLAMP	2	20001-
13	22B-01-21121	TUBE	1	20001-
14	07000-E2065	O-RING	1	20001-
15	01010-81030	BOLT	2	20001-
16	01643-31032	WASHER	2	20001-
17	22B-01-21151	BRACKET	1	20001-
18	01010-81020	BOLT	2	20001-
19	01643-31032	WASHER	2	20001-
20	07283-35150	CLIP	1	20001-
21	01597-01009	NUT	2	20001-
22	01643-31032	WASHER	2	20001-
23	22B-01-21131	HOSE	1	20001-
24	07299-00070	CLAMP	2	20001-
25	07299-00055	CLAMP	2	20001-

PC138US-8 S/N 20001-24509
00059660



00059660

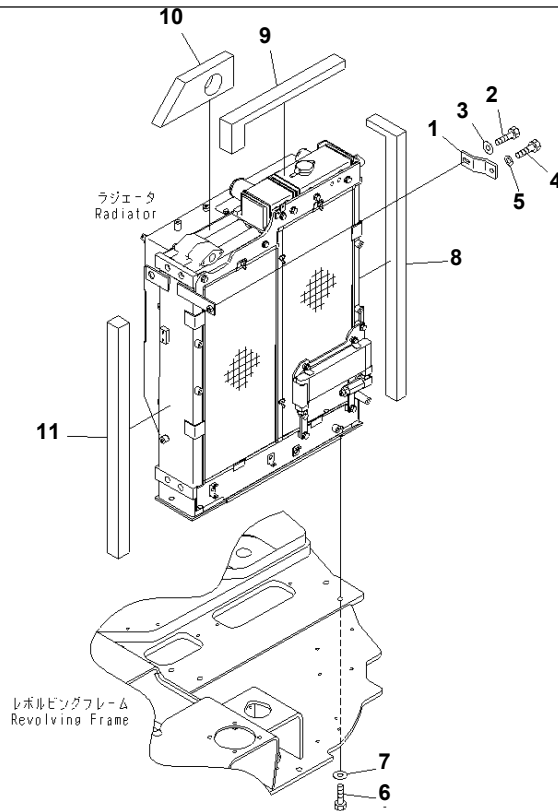
Ref. C0100-06A0

Page 060060

PC138US-8 S/N 20001-24509
COOLING (SUB TANK)(#20001-)

Item	Part No.	Part Name	Qty	Serial No.
1	22B-03-21311	BRACKET	1	20001-
2	203-03-61640	TANK	1	20001-
3	205-03-71532	・ CAP	1	20001-
	205-03-71540	・ ・ PACKING	1	20001-
4	203-03-56650	BRACKET	1	20001-
5	01010-80816	BOLT	2	20001-
6	01643-30823	WASHER	2	20001-
7	01010-81220	BOLT	2	20001-
8	01643-31232	WASHER	2	20001-
9	22B-03-21641	HOSE ASS'Y	1	20001-
10	206-03-43340	CLIP	2	20001-
11	08211-11320	CLIP	6	20001-
12	08057-14012	CLIP	1	20001-
13	01010-81220	BOLT	1	20001-
14	01643-31232	WASHER	1	20001-
15	208-03-58290	HOSE, 500MM	1	20001-
16	206-03-43340	CLIP	1	20001-
17	04434-51212	CLIP	1	20001-

PC138US-8 S/N 20001-24509
00059661



00059661

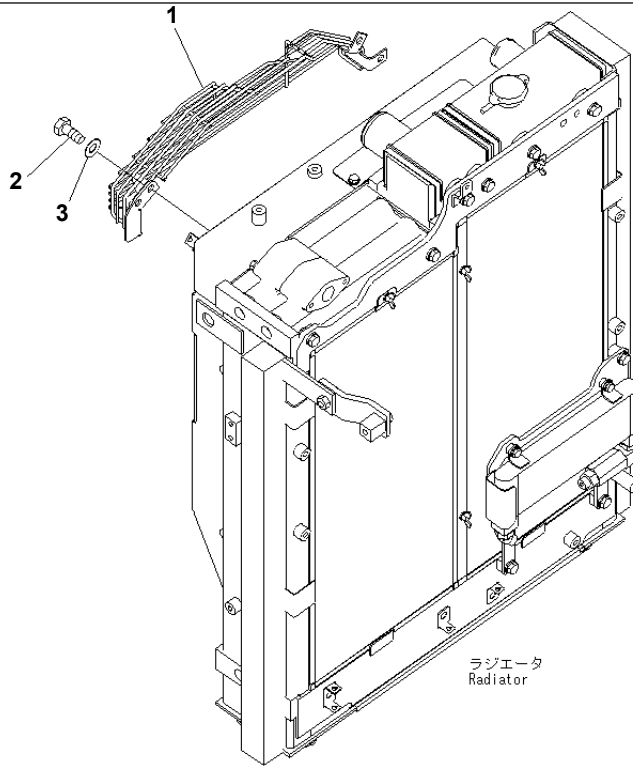
Ref. C0100-07A0

Page 060070

PC138US-8 S/N 20001-24509
COOLING (RADIATOR MOUNT)(#20001-)

Item	Part No.	Part Name	Qty	Serial No.
1	22B-03-21251	PLATE	1	20001-
2	01010-81230	BOLT	1	20001-
3	175-54-34170	WASHER	1	20001-
4	01010-81225	BOLT	1	20001-
5	01643-31232	WASHER	1	20001-
6	01010-81245	BOLT	4	20001-
7	175-54-34170	WASHER	4	20001-
8	22B-03-21511	SHEET (BONDED)	1	20001-
9	22B-03-21521	SHEET (BONDED)	1	20001-
10	22B-03-21530	SHEET (BONDED)	1	20001-
11	22B-03-21630	SHEET (BONDED)	1	20001-

PC138US-8 S/N 2001-24509
00059662



Ref. C0310-01A0

00059662-V

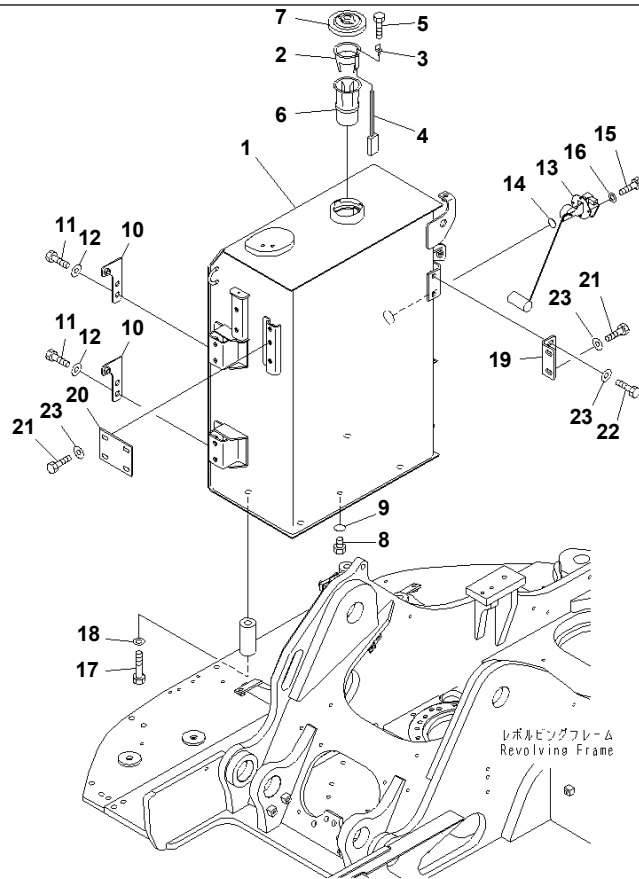
Page 060080

PC138US-8 S/N 2001-24509
FAN GUARD(#20001-)

Item	Part No.	Part Name	Qty	Serial No.
1	22B-03-21713	GUARD	1	22812-
	□22B-03-21712	GUARD	1	20883-22811
	□22B-03-21711	GUARD	1	20001-20882
2	01010-81020	BOLT	4	20001-
3	01643-31032	WASHER	4	20001-

PC138US-8 S/N 20001-24509
FUEL TANK AND RELATED PARTS

Item	Part Name	Qty
10	FUEL TANK(#20001-)	1
20	FUEL TANK (FUEL REFILL PUMP)(#20001-)	1
30	FUEL LINE(#20001-)	1
40	FUEL LINE (FOR ADDITIONAL FILTER)(#20001-)	1
50	FUEL LINE (CLIP)(#20001-)	1
60	FUEL LINE (CLIP) (FOR ADDITIONAL FILTER)(#20001-)	1
70	FUEL LINE (REMOTE DRAIN)(#20001-)	1
80	FUEL LINE (PRE-FILTER)(#20001-)	1
90	FUEL LINE (ADDITIONAL FILTER)(#20001-)	1



00059663

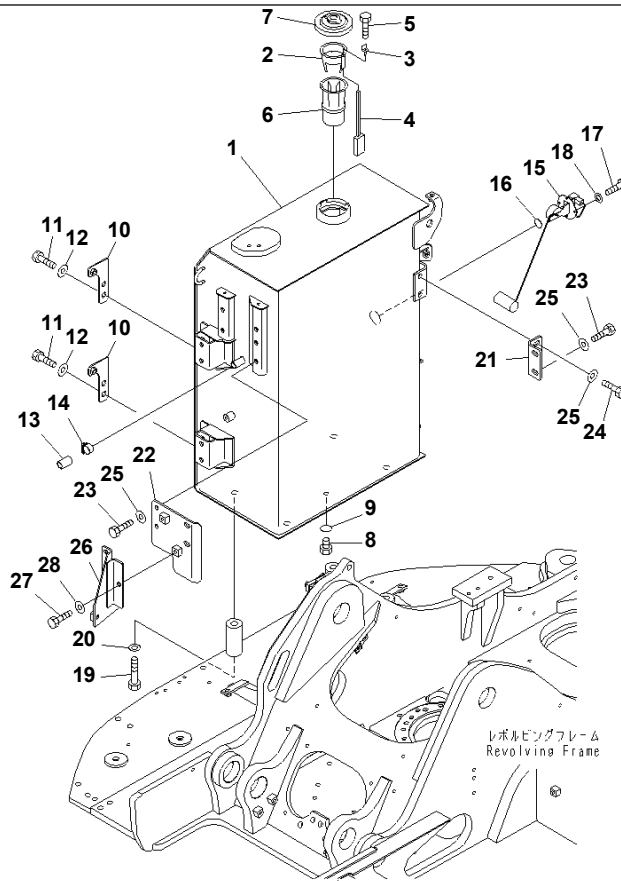
Ref. D0100-01A0

Page 090010

PC138US-8 S/N 2001-24509

FUEL TANK(#20001-)

Item	Part No.	Part Name	Qty	Serial No.
1	22B-04-21112	TANK	1	20843-
	□22B-04-21111	TANK	1	20001-20842
	22U-04-21241	STRAINER ASS'Y	1	20001-
	22U-04-21200	・ FLOAT ASS'Y	1	20001-
2	☆	・ ・ GUIDE	1	20001-
3	20Y-04-21580	・ ・ CAP	1	20001-
4	22U-04-21220	・ ・ FLOAT	1	20001-
5	☆	・ ・ SCREW	1	20001-
6	07056-18425	・ STRAINER	1	20001-
7	20Y-04-11161	CAP	1	22252-
	20Y-04-11160	CAP	1	20001-22251
8	07040-11007	PLUG	1	20001-
9	07002-11023	O-RING	1	20001-
10	22B-04-21131	PLATE	2	20001-
11	01010-81230	BOLT	4	20001-
12	175-54-34170	WASHER	4	20001-
13	7861-92-5810	SENSOR,FUEL LEVEL	1	20001-
14	07000-13050	O-RING	1	20001-
15	01010-80610	BOLT	4	20001-
16	01643-30623	WASHER	4	20001-
17	01011-81645	BOLT	4	20001-
18	01643-31645	WASHER	4	20001-
19	22B-04-11130	PLATE	1	20001-
20	22B-04-21121	PLATE	1	20001-
21	01010-81225	BOLT	6	20001-
22	01010-81230	BOLT	2	20001-
23	124-54-26540	WASHER	8	20001-



00059664

PC138US-8 S/N 20001-24509
FUEL TANK (FUEL REFILL PUMP)(#20001-)

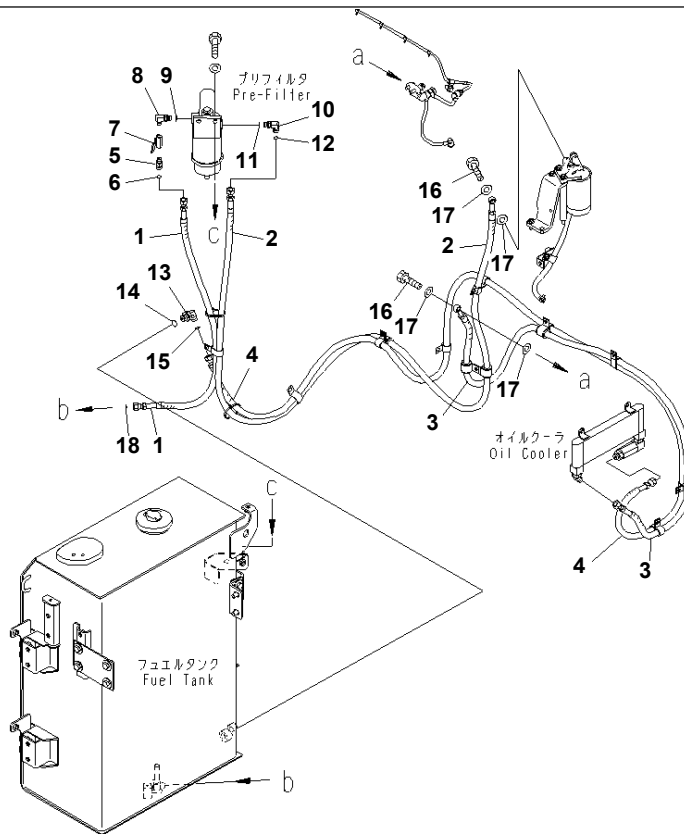
Item	Part No.	Part Name	Qty	Serial No.
1	22B-04-21410	TANK	1	20001-
	22U-04-21241	STRAINER ASS'Y	1	20001-
	22U-04-21200	・ FLOAT ASS'Y	1	20001-
2	☆	・ ・ GUIDE	1	20001-
3	20Y-04-21580	・ ・ CAP	1	20001-
4	22U-04-21220	・ ・ FLOAT	1	20001-
5	☆	・ ・ SCREW	1	20001-
6	07056-18425	・ STRAINER	1	20001-
7	20Y-04-11161	CAP	1	22252-
	20Y-04-11160	CAP	1	20001-22251
8	07040-11007	PLUG	1	20001-
9	07002-11023	O-RING	1	20001-
10	22B-04-21131	PLATE	2	20001-
11	01010-81230	BOLT	4	20001-
12	175-54-34170	WASHER	4	20001-
13	22B-04-21490	CAP	1	20001-
14	07289-00035	CLAMP	1	20001-
15	7861-92-5810	SENSOR,FUEL LEVEL	1	20001-
16	07000-13050	O-RING	1	20001-
17	01010-80610	BOLT	4	20001-
18	01643-30623	WASHER	4	20001-
19	01011-81645	BOLT	4	20001-
20	01643-31645	WASHER	4	20001-
21	22B-04-11130	PLATE	1	20001-
22	22B-04-21480	PLATE	1	20001-
23	01010-81225	BOLT	6	20001-
24	01010-81230	BOLT	2	20001-
25	124-54-26540	WASHER	8	20001-
26	22B-04-21470	BRACKET	1	20001-

PC138US-8 S/N 20001-24509

FUEL TANK (FUEL REFILL PUMP)(#20001-)

Item	Part No.	Part Name	Qty	Serial No.
27	01010-81225	BOLT	2	20001-
28	01643-31232	WASHER	2	20001-

PC138US-8 S/N 20001-24509
00059695



00059695

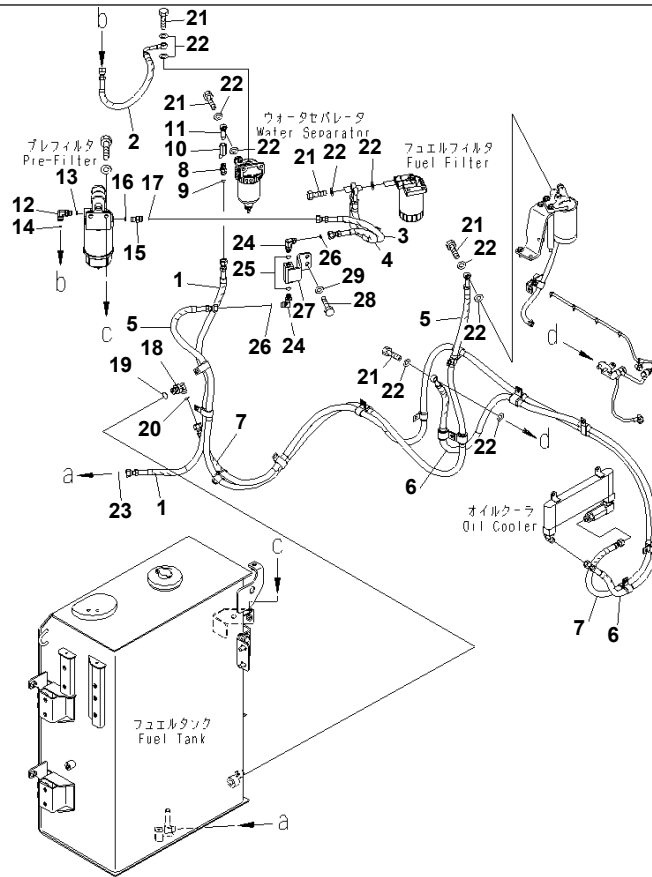
Ref. D0200-01A0

Page 090030

PC138US-8 S/N 20001-24509
FUEL LINE(#20001-)

Item	Part No.	Part Name	Qty	Serial No.
1	22B-04-21211	HOSE, 950MM	1	20001-
	21U-62-34760	· BAND, RED	1	20001-
2	22B-04-21271	HOSE, 2690MM	1	20001-
3	22B-04-21331	HOSE, 2070MM	1	20001-
4	22B-04-21341	HOSE, 3300MM	1	20001-
5	20U-62-42230	CONNECTOR	1	20001-
6	02896-11009	O-RING	1	20001-
7	07700-40240	VALVE	1	20001-
8	22B-04-21251	ELBOW	1	20001-
9	07002-11423	O-RING	1	20001-
10	02782-10311	ELBOW	1	20001-
11	07002-11423	O-RING	1	20001-
12	02896-11009	O-RING	1	20001-
13	02782-10315	ELBOW	1	20001-
14	07002-12034	O-RING	1	20001-
15	02896-11009	O-RING	1	20001-
16	07206-31014	BOLT	2	20001-
17	07005-01412	GASKET	4	20001-
18	02896-11009	O-RING	1	20001-

PC138US-8 S/N 2001-24509
00082502



00082502

Ref. D0200-01A1

Page 090040

PC138US-8 S/N 2001-24509
FUEL LINE (FOR ADDITIONAL FILTER)(#20001-)

Item	Part No.	Part Name	Qty	Serial No.
1	22B-04-21510	HOSE, 1000MM	1	20001-
	21U-62-34760	· BAND, RED	1	20001-
2	22B-04-21560	HOSE, 470MM	1	20001-
3	22B-04-21570	HOSE, 550MM	1	20001-
4	22B-04-21580	HOSE, 480MM	1	20001-
5	22B-04-21271	HOSE, 2690MM	1	20001-
6	22B-04-21331	HOSE, 2070MM	1	20001-
7	22B-04-21341	HOSE, 3300MM	1	20001-
8	20U-62-42230	CONNECTOR	1	20001-
9	02896-11009	O-RING	1	20001-
10	07700-40240	VALVE	1	20001-
11	205-04-62140	JOINT	1	20001-
12	02782-10311	ELBOW	1	20001-
13	07002-11423	O-RING	1	20001-
14	02896-11009	O-RING	1	20001-
15	02781-0031D	UNION	1	20001-
16	07002-11423	O-RING	1	20001-
17	02896-11009	O-RING	1	20001-
18	02782-10315	ELBOW	1	20001-
19	07002-12034	O-RING	1	20001-
20	02896-11009	O-RING	1	20001-
21	07206-31014	BOLT	6	20001-
22	07005-01412	GASKET	12	20001-
23	02896-11009	O-RING	1	20001-
24	02782-10311	ELBOW	2	20001-
25	07002-11423	O-RING	2	20001-
26	02896-11009	O-RING	2	20001-
27	22B-46-24220	BLOCK	1	20001-
28	01010-81025	BOLT	2	20001-



Download the full PDF manual instantly.

Our customer service e-mail:

aservicemanualpdf@yahoo.com