

PC138US-2 S/N 4501-UP (Overseas Version)
PC138US-2 S/N 4501-UP (Overseas Version)

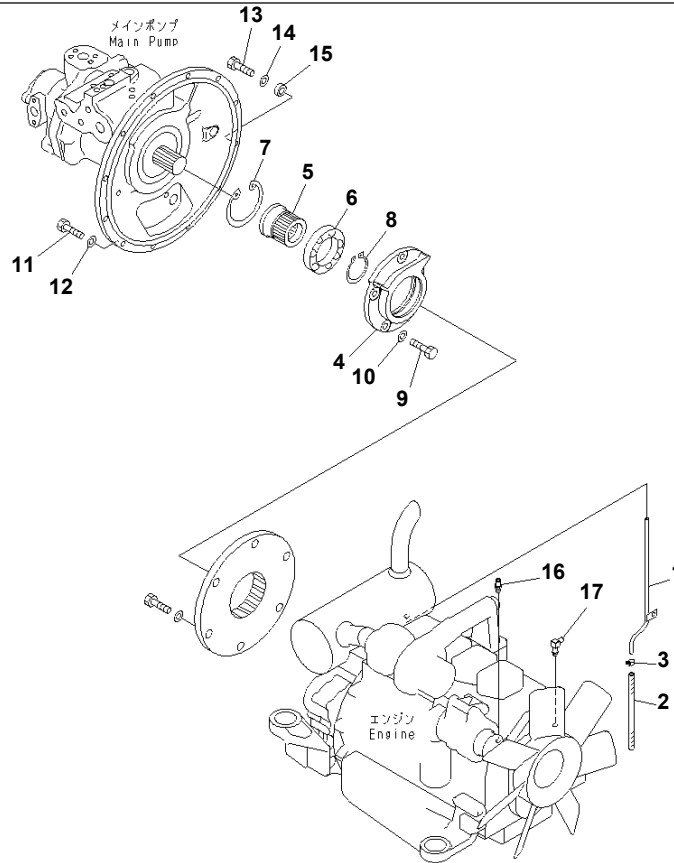
Item	Part Name
	SAA4D95LE-3A-4W S/N 101537-UP
B0	ENGINE RELATED PARTS
C0	COOLING SYSTEM
D0	FUEL TANK AND RELATED PARTS
E0	ELECTRICAL SYSTEM
H0	HYDRAULIC SYSTEM
J0	MAIN/REVOLVING FRAME AND RELATED PARTS
K0	OPERATOR'S COMPARTMENT AND CONTROL SYSTEM
M0	GUARD
N0	SWING CIRCLE AND RELATED PARTS
P0	TRAVEL AND LOWER PIPING
R0	UNDER CARRIAGE
T0	WORK EQUIPMENT
U0	MARKS AND PLATES
V0	ACCESSORY
Y0	SERVICE KIT AND COMPONENT PARTS

PC138US-2 S/N 4501-UP (Overseas Version)

ENGINE RELATED PARTS

Item	Part Name	Qty
10	COUPLING AND MAIN PUMP MOUNTING PARTS	1
20	ENGINE MOUNT	1
30	ENGINE MOUNT (MOUNT BRACKET)	1
40	AIR CLEANER	1
50	AIR CLEANER (INNER PARTS)	1
60	FUEL CONTROL	1
70	CORROSION RESISTER	1

PC138US-2 S/N 4501-UP (Overseas Version)
00063149



Ref. B0000-01A0

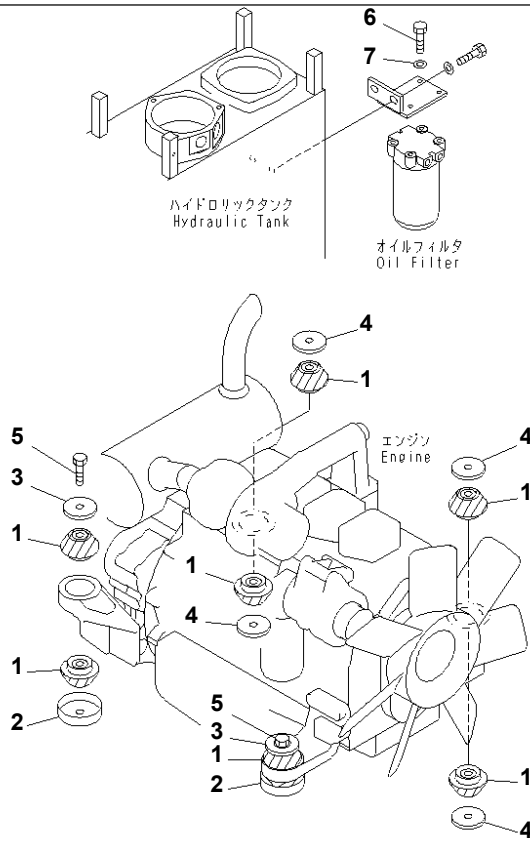
Page 030010

PC138US-2 S/N 4501-UP (Overseas Version)
COUPLING AND MAIN PUMP MOUNTING PARTS

Item	Part No.	Part Name	Qty	Serial No.
1	22B-01-13181	TUBE	1	4501-
2	07260-20928	HOSE	1	4501-
3	07285-00150	CLIP	1	4501-
4	203-01-61170	CAGE	1	4501-
5	203-01-61190	SHAFT	1	4501-
6	06045-06014	BEARING	1	4501-
7	04065-01104	RING	1	4501-
8	04064-07025	RING	1	4501-
9	01010-81235	BOLT	4	4501-
10	01643-31232	WASHER	4	4501-
11	01010-81040	BOLT	11	4501-
12	01643-31032	WASHER	11	4501-
13	01010-81050	BOLT	1	4501-
14	01643-31032	WASHER	1	4501-
15	205-917-1610	COLLAR	1	4501-
16	20T-54-42510	NIPPLE	1	4501-
17	20M-977-8130	ELBOW	1	4501-

PC138US-2 S/N 4501-UP (Overseas Version)

00017872



00017872

Ref. B0100-01A0

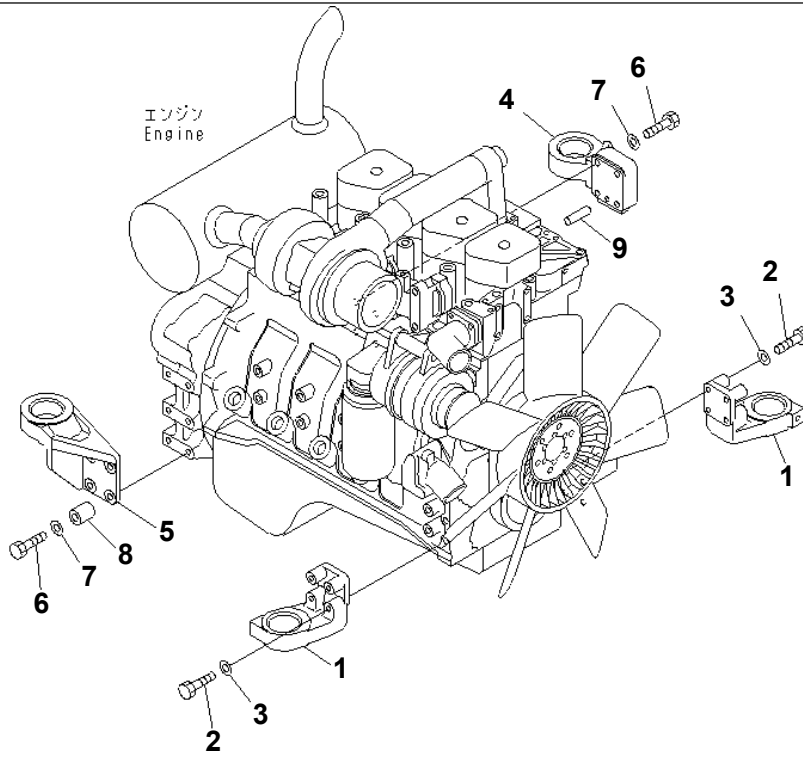
Page 030020

PC138US-2 S/N 4501-UP (Overseas Version)

ENGINE MOUNT

Item	Part No.	Part Name	Qty	Serial No.
1	201-01-71250	CUSHION	8	4501-
2	203-01-61160	STOPPER	2	4501-
3	203-01-67540	WASHER	2	4501-
4	113-01-21120	WASHER	4	4501-
5	01011-81630	BOLT	4	4501-
6	01010-80825	BOLT	4	4501-
7	01643-30823	WASHER	4	4501-

PC138US-2 S/N 4501-UP (Overseas Version)
00017873



00017873

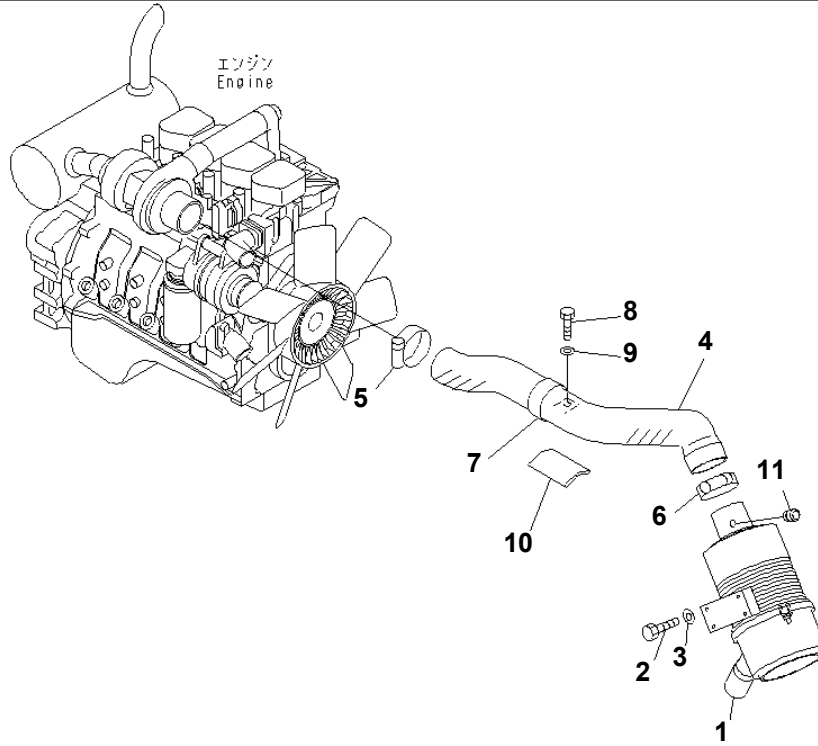
Ref. B0100-02A0

Page 030030

PC138US-2 S/N 4501-UP (Overseas Version)
ENGINE MOUNT (MOUNT BRACKET)

Item	Part No.	Part Name	Qty	Serial No.
1	203-01-61131	BRACKET	2	4501-
2	01010-81060	BOLT	8	4501-
3	01643-31032	WASHER	8	4501-
4	203-01-61110	BRACKET	1	4501-
5	203-01-61120	BRACKET	1	4501-
6	22B-01-11190	BOLT	8	4501-
7	01643-31232	WASHER	8	4501-
8	6131-22-3750	BOSS	4	4501-
9	04020-01228	PIN	1	4501-

PC138US-2 S/N 4501-UP (Overseas Version)
00017874



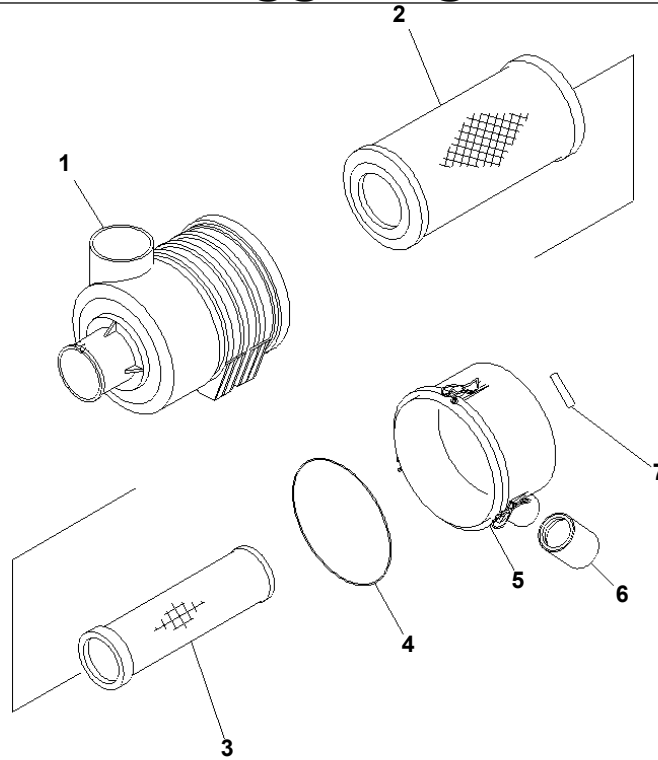
00017874

Ref. B0200-01A0

Page 030040

PC138US-2 S/N 4501-UP (Overseas Version)
AIR CLEANER

Item	Part No.	Part Name	Qty	Serial No.
1	6732-83-7100	AIR CLEANER	1	4501-
2	01010-80820	BOLT	4	4501-
3	01643-30823	WASHER	4	4501-
4	22B-01-13161	HOSE	1	7798-
	□22B-01-13160	HOSE	1	4501-7797
5	07299-00095	CLAMP	1	4501-
6	07299-00105	CLAMP	1	4501-
7	22B-01-13280	CLIP	1	7793-
	21J-62-17890	CLIP	1	4501-7792
8	01010-81020	BOLT	1	4501-
9	01643-31032	WASHER	1	4501-
10	22B-01-11180	SHEET (BONDED)	1	4501-
11	08670-12001	INDICATOR	1	4501-

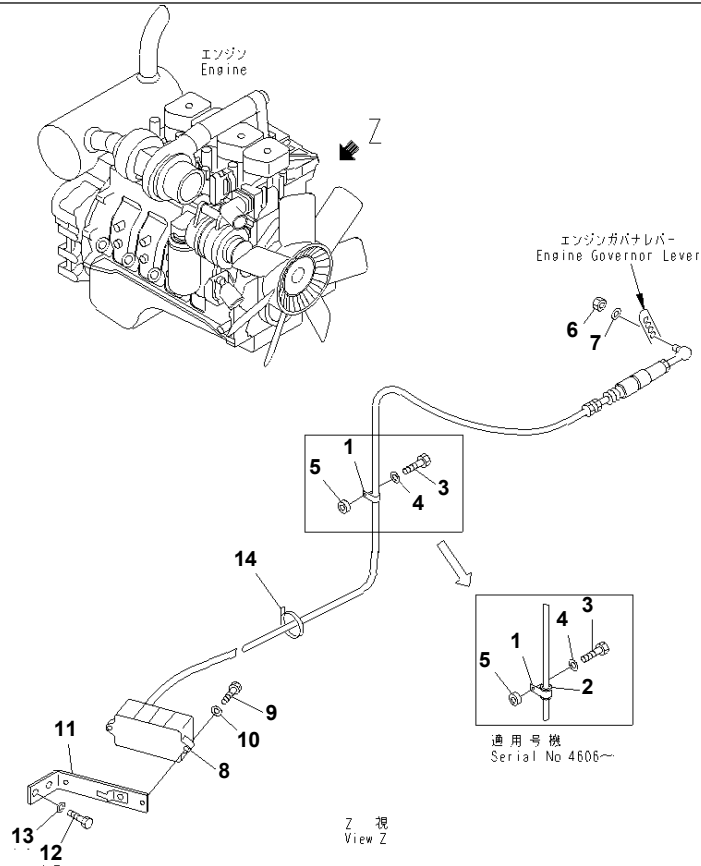


P W K 9 8 9 6

PC138US-2 S/N 4501-UP (Overseas Version)
AIR CLEANER (INNER PARTS)

Item	Part No.	Part Name	Qty	Serial No.
	6732-83-7100	AIR CLEANER	1	4501-
1	6732-83-7110	· BODY	1	4501-
	600-185-2100	· ELEMENT ASS'Y	1	4501-
2	600-185-2110	· · ELEMENT, OUTER	1	4501-
3	☆	· · ELEMENT, INNER	1	4501-
4	600-184-1270	· · O-RING	1	4501-
5	600-184-1210	· COVER ASS'Y, SEAL	1	4501-
6	600-184-1250	· VALVE, VACUATOR	1	4501-
7	600-184-2110	· PLATE, NAME	1	4501-

**PC138US-2 S/N 4501-UP (Overseas Version)
00034035**



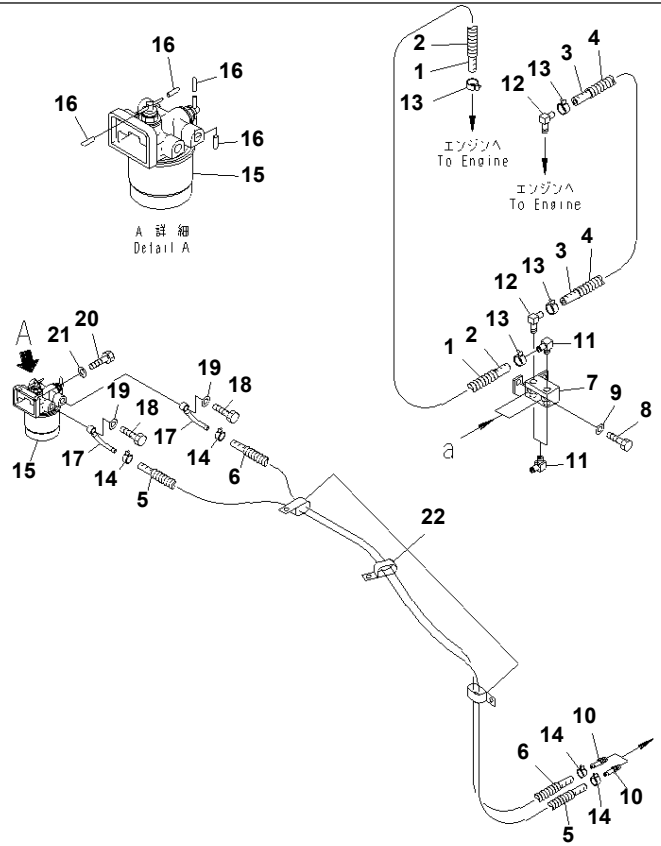
Ref. B0400-01A0

Page 030060

**PC138US-2 S/N 4501-UP (Overseas Version)
FUEL CONTROL**

Item	Part No.	Part Name	Qty	Serial No.
1	04434-51810	CLIP	1	4606-
	04434-50810	CLIP	1	4501-4605
2	07095-20213	CUSHION	1	4606-
3	01010-81025	BOLT	1	4501-
4	01643-31032	WASHER	1	4501-
5	103-21-21260	BOSS	1	4501-
6	01580-10605	NUT	1	4501-
7	01643-30623	WASHER	1	4501-
8	22B-43-13130	MOTOR ASS'Y	1	4501-
9	01010-80835	BOLT	2	4501-
10	01643-30823	WASHER	2	4501-
11	22B-43-11241	BRACKET	1	4501-
12	01010-81225	BOLT	2	4501-
13	01643-31232	WASHER	2	4501-
14	08034-20834	BAND	2	4606-
	08034-20834	BAND	1	4501-4605

PC138US-2 S/N 4501-UP (Overseas Version)
00034036



00034036

Ref. B0920-01A0

Page 030070

PC138US-2 S/N 4501-UP (Overseas Version)
CORROSION RESISTER

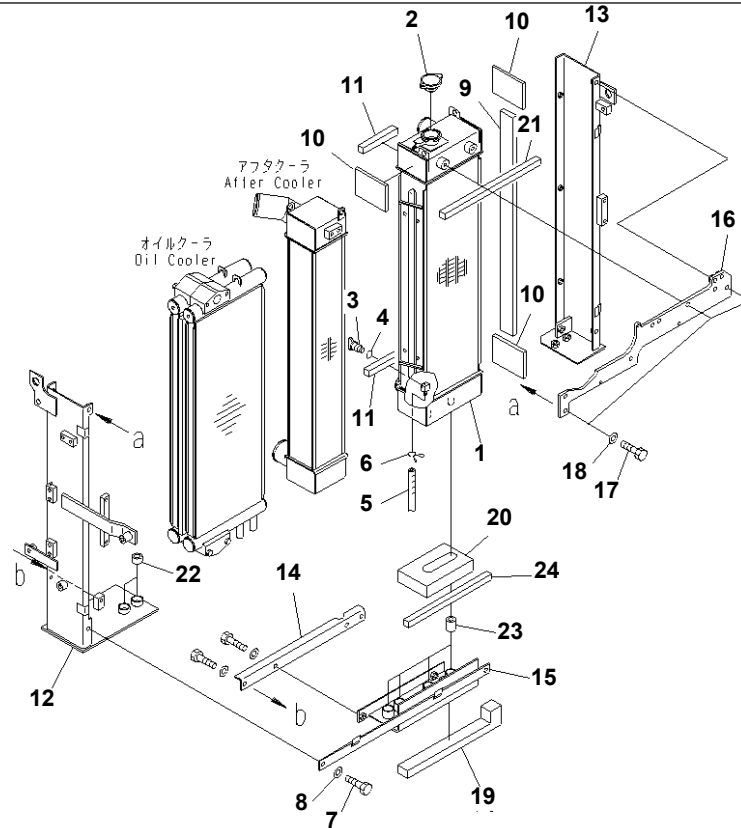
Item	Part No.	Part Name	Qty	Serial No.
1	22B-03-11612	HOSE	1	4501-
2	08017-32218	・ CONDUIT	1	4501-
3	22B-03-11622	HOSE	1	4501-
4	08210-01803	・ SPIRAL TUBE	1	4501-
5	22B-03-11632	HOSE	1	4501-
6	22B-03-11642	HOSE	1	4501-
7	22B-03-13750	BLOCK	1	4501-
8	01010-81225	BOLT	2	4501-
9	01643-31232	WASHER	2	4501-
10	154-04-11540	NIPPLE	2	4501-
11	20S-977-1170	ELBOW	3	4501-
12	20M-977-8130	ELBOW	1	4501-
13	11Y-09-11160	CLIP	4	4501-
14	11Y-09-11140	CLIP	4	4501-
15	600-411-2101	RESISTOR ASS'Y	1	4501-
16	201-977-7340	CAP	4	4501-
17	203-04-56150	JOINT	2	4501-
18	07206-31014	BOLT	2	4501-
19	07005-01412	GASKET	2	4501-
20	01010-81030	BOLT	2	4501-
21	01643-31032	WASHER	2	4501-
22	421-07-11550	CLIP	3	4501-

PC138US-2 S/N 4501-UP (Overseas Version)

COOLING SYSTEM

Item	Part Name	Qty
10	COOLING (RADIATOR CORE AND FRAME)	1
20	COOLING (OIL COOLER)	1
30	COOLING (AFTER COOLER AND SHROUD)	1
40	COOLING (RADIATOR AND AFTER COOLER PIPING)	1
50	COOLING (SUB TANK)	1
60	FAN GUARD	1

PC138US-2 S/N 4501-UP (Overseas Version)
00017876



00017876

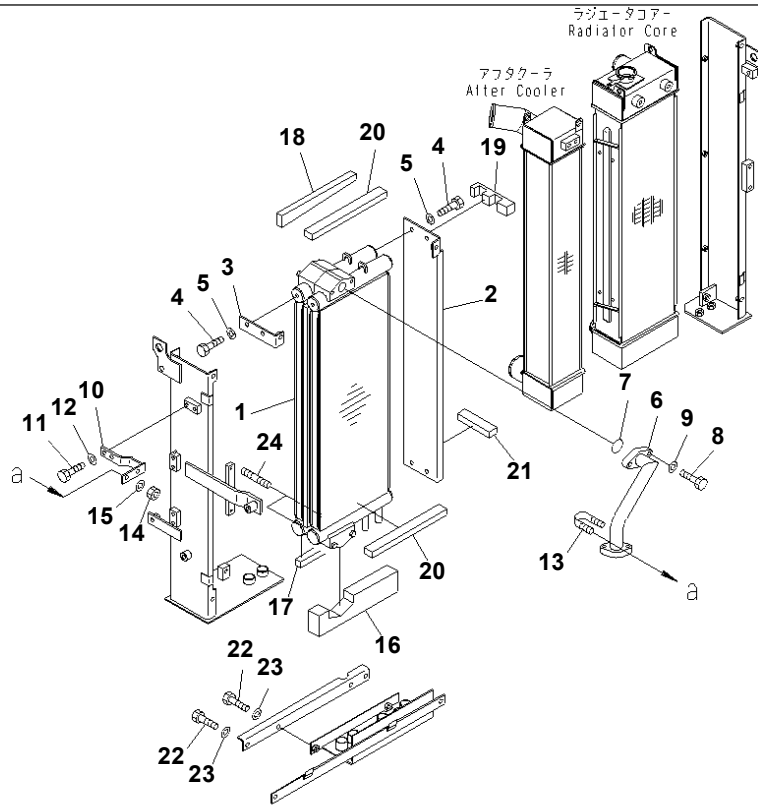
Ref. C0100-01A0

Page 060010

PC138US-2 S/N 4501-UP (Overseas Version)
COOLING (RADIATOR CORE AND FRAME)

Item	Part No.	Part Name	Qty	Serial No.
1	22B-03-13111	RADIATOR ASS'Y	1	4978-
	22B-03-13110	RADIATOR ASS'Y	1	4501-4977
2	22B-03-11350	CAP	1	4501-
3	205-03-62660	PLUG	1	4501-
4	07000-11007	O-RING	1	4501-
5	203-03-41410	HOSE	1	4501-
6	20Y-03-11330	CLIP	1	4501-
7	01010-81025	BOLT	2	4501-
8	01643-31032	WASHER	2	4501-
9	22B-03-12470	SHEET	1	4501-
10	22B-03-12510	SHEET	3	4501-
11	22B-03-12530	SHEET	2	4501-
12	22B-959-2190	BRACKET	1	5273-
	22B-03-13140	BRACKET	1	4501-5272
13	22B-03-12151	BRACKET	1	4978-
	22B-03-12150	BRACKET	1	4501-4977
14	22B-03-12161	PLATE	1	4978-
	22B-03-12160	PLATE	1	4501-4977
15	22B-03-13211	BRACKET	1	4978-
	22B-03-13210	BRACKET	1	4501-4977
16	22B-03-13230	PLATE	1	4501-
17	01010-81025	BOLT	8	4501-
18	01643-31032	WASHER	8	4501-
19	22B-03-12410	SHEET	1	4501-
20	22B-03-12460	SHEET	1	4501-
21	22B-03-12480	SHEET	1	4501-
22	22B-03-12590	CUSHION	2	4501-
23	22B-03-12620	CUSHION	4	4501-
24	22B-03-12440	SHEET	1	4501-

PC138US-2 S/N 4501-UP (Overseas Version)
00017877



00017877

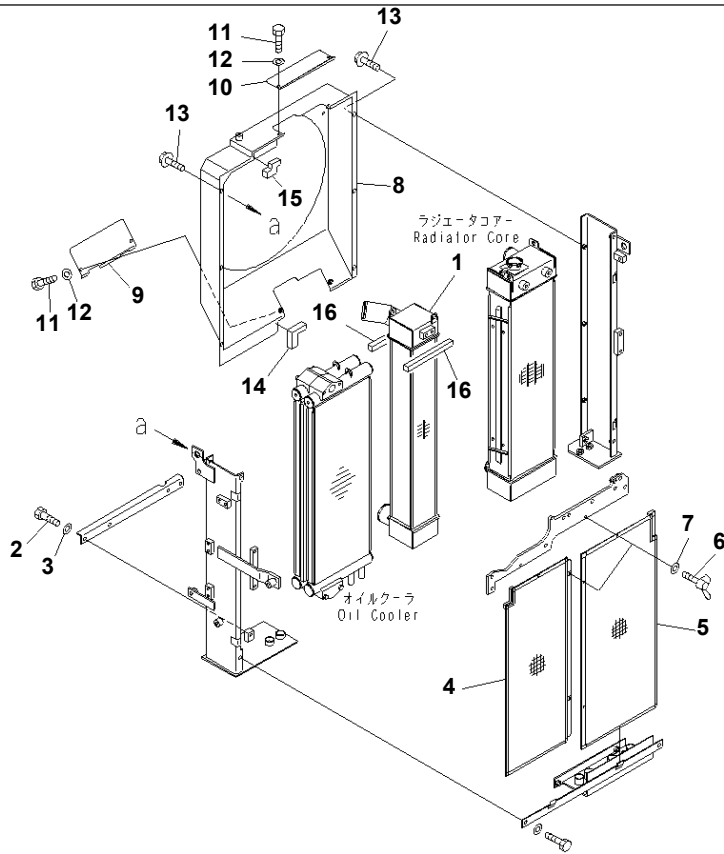
Ref. C0100-02A0

Page 060020

PC138US-2 S/N 4501-UP (Overseas Version)
COOLING (OIL COOLER)

Item	Part No.	Part Name	Qty	Serial No.
1	22B-03-12120	CORE	1	4501-
2	22B-03-12220	BRACKET	1	4501-
3	22B-03-12240	PLATE	1	4501-
4	01010-81020	BOLT	6	4501-
5	01643-31032	WASHER	6	4501-
6	22B-03-13330	TUBE	1	4501-
7	07000-13032	O-RING	1	4501-
8	07372-21035	BOLT	2	4501-
9	01643-51032	WASHER	2	4501-
10	22B-03-12270	BRACKET	1	4501-
11	01010-81020	BOLT	2	4501-
12	01643-31032	WASHER	2	4501-
13	07283-33442	CLIP	1	4501-
14	01597-01009	NUT	2	4501-
15	01643-31032	WASHER	2	4501-
16	22B-03-12420	SHEET	1	4501-
17	22B-03-12490	SHEET	1	4501-
18	22B-03-12670	SHEET	1	4501-
19	22B-03-12520	SHEET	1	4501-
20	22B-03-12540	SHEET	2	4501-
21	22B-03-12630	SHEET	1	4501-
22	01010-81025	BOLT	2	4501-
23	01643-31032	WASHER	2	4501-
24	01164-51030	STUD	2	4501-

PC138US-2 S/N 4501-UP (Overseas Version)
00017878



00017878

Ref. C0100-03A0

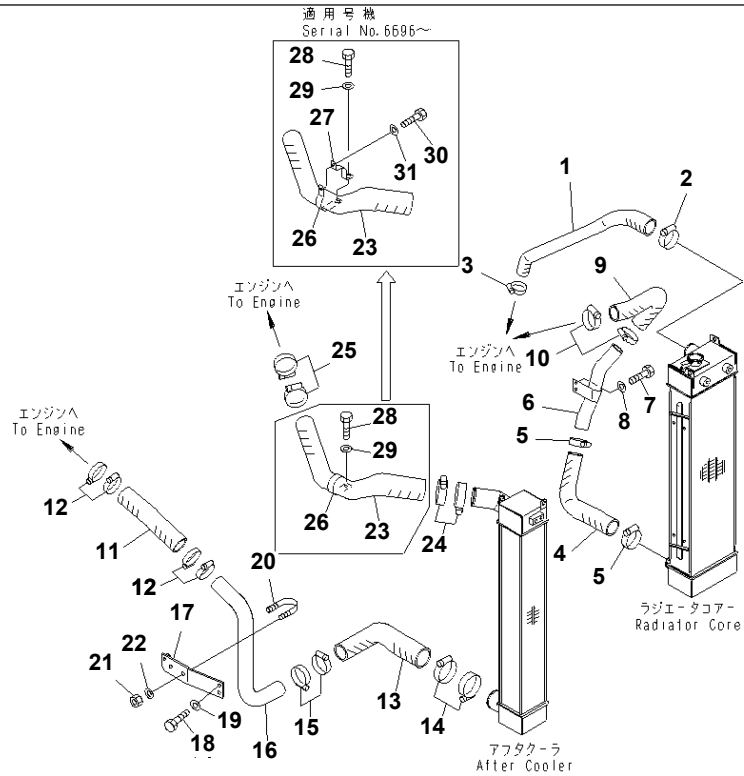
Page 060030

PC138US-2 S/N 4501-UP (Overseas Version)
COOLING (AFTER COOLER AND SHROUD)

Item	Part No.	Part Name	Qty	Serial No.
1	22B-03-13130	AFTER COOLER ASS'Y	1	4501-
2	01010-81025	BOLT	2	4501-
3	01643-31032	WASHER	2	4501-
4	22B-03-12251	NET	1	4501-
5	22B-03-12261	NET	1	4501-
6	01434-10620	BOLT, WING	4	4501-
7	01643-30623	WASHER	4	4501-
8	22B-03-13171	SHROUD	1	4978-
	22B-03-13170	SHROUD	1	4501-4977
9	22B-03-13180	COVER	1	4501-
10	22B-03-12190	COVER	1	4501-
11	01010-80812	BOLT	4	4501-
12	01643-30823	WASHER	4	4501-
13	01435-20816	BOLT	6	4501-
14	22B-03-12550	SHEET	1	4501-
15	22B-03-12580	SHEET	1	4501-
16	22B-03-12430	SHEET	2	4501-

PC138US-2 S/N 4501-UP (Overseas Version)

00057061



00057061

Ref. C0100-04A0

Page 060040

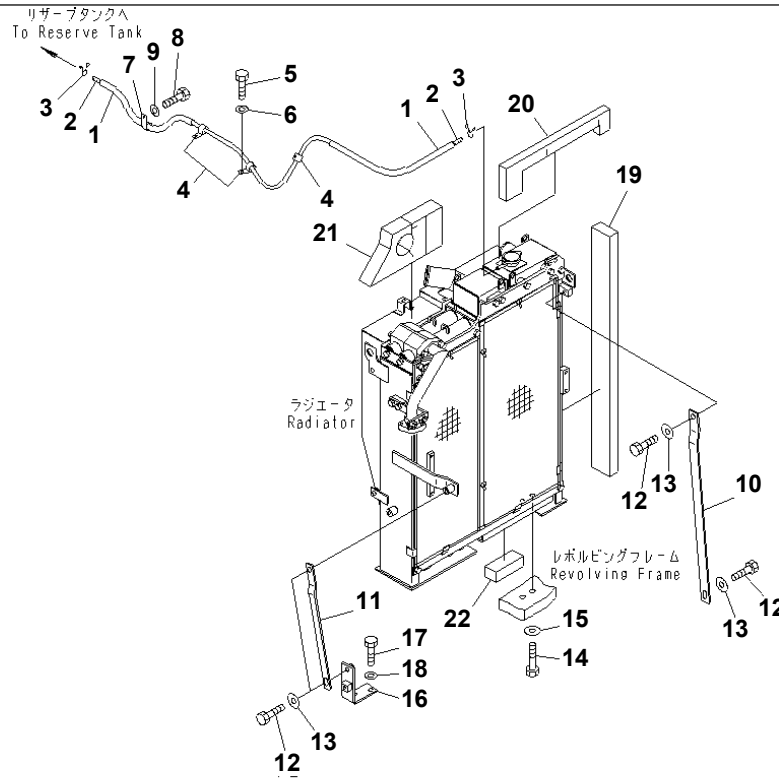
PC138US-2 S/N 4501-UP (Overseas Version)
COOLING (RADIATOR AND AFTER COOLER PIPING)

Item	Part No.	Part Name	Qty	Serial No.
1	22B-03-13310	HOSE	1	4501-
2	07289-00055	CLAMP	1	4501-
3	07289-00045	CLAMP	1	4501-
4	22B-03-13320	HOSE	1	4501-
5	07289-00055	CLAMP	2	4501-
6	22B-03-13360	TUBE	1	4501-
7	01010-81025	BOLT	2	4501-
8	01643-31032	WASHER	2	4501-
9	22B-03-13350	HOSE	1	4501-
10	07289-00055	CLAMP	2	4501-
11	22B-01-13110	HOSE	1	4501-
12	07299-00055	CLAMP	4	4501-
13	22B-01-13130	HOSE	1	4501-
14	07299-00070	CLAMP	2	4501-
15	07299-00055	CLAMP	2	4501-
16	22B-01-13140	TUBE	1	4501-
17	22B-01-13170	PLATE	2	4501-
18	01010-81020	BOLT	4	4501-
19	01643-31032	WASHER	4	4501-
20	07283-35150	CLIP	2	4501-
21	01597-01009	NUT	4	4501-
22	01643-31032	WASHER	4	4501-
23	22B-01-13120	HOSE	1	4501-
24	07299-00070	CLAMP	2	4501-
25	07299-00055	CLAMP	2	4501-
26	22B-01-13260	CLIP	1	6696-
	208-62-38370	CLIP	1	4501-6695
27	22B-01-13270	CLIP	1	6696-
28	01010-81030	BOLT	1	6696-

PC138US-2 S/N 4501-UP (Overseas Version)
COOLING (RADIATOR AND AFTER COOLER PIPING)

Item	Part No.	Part Name	Qty	Serial No.
28	01010-81025	BOLT	1	4501-6695
29	01643-31032	WASHER	1	4501-
30	01010-81020	BOLT	1	6696-
31	01643-31032	WASHER	1	6696-

**PC138US-2 S/N 4501-UP (Overseas Version)
00017880**



00017880

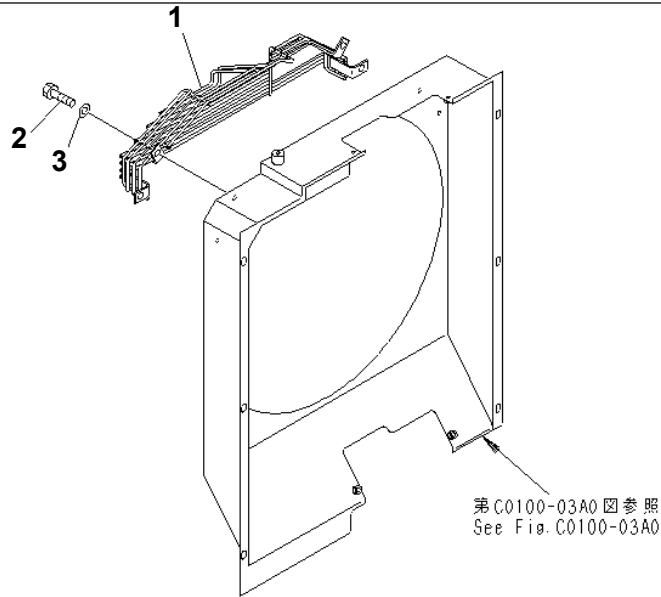
Ref. C0100-05A0

Page 060050

**PC138US-2 S/N 4501-UP (Overseas Version)
COOLING (SUB TANK)**

Item	Part No.	Part Name	Qty	Serial No.
1	22B-03-13570	HOSE ASS'Y	1	4501-
2	08017-31308	CONDUIT	1	4501-
3	206-03-43340	CLIP	2	4501-
4	04434-51212	CLIP	3	4501-
5	01010-81225	BOLT	3	4501-
6	01643-31232	WASHER	3	4501-
7	04434-51812	CLIP	1	4501-
8	01010-81220	BOLT	1	4501-
9	01643-31232	WASHER	1	4501-
10	22B-03-12280	STAY	1	4501-
11	22B-03-12290	STAY	1	4501-
12	01010-81230	BOLT	4	4501-
13	175-54-34170	WASHER	4	4501-
14	01010-81265	BOLT	4	4501-
15	175-54-34170	WASHER	4	4501-
16	22B-03-13370	PLATE	1	4501-
17	01010-81230	BOLT	2	4501-
18	01643-31232	WASHER	2	4501-
19	22B-03-12450	SHEET	1	4501-
20	22B-54-19671	SHEET	1	4501-
21	22B-54-19791	SHEET	1	4501-
22	22B-03-12560	SHEET	1	4501-

**PC138US-2 S/N 4501-UP (Overseas Version)
00017881**



Ref. C0310-01A0

00017881

Page 060060

**PC138US-2 S/N 4501-UP (Overseas Version)
FAN GUARD**

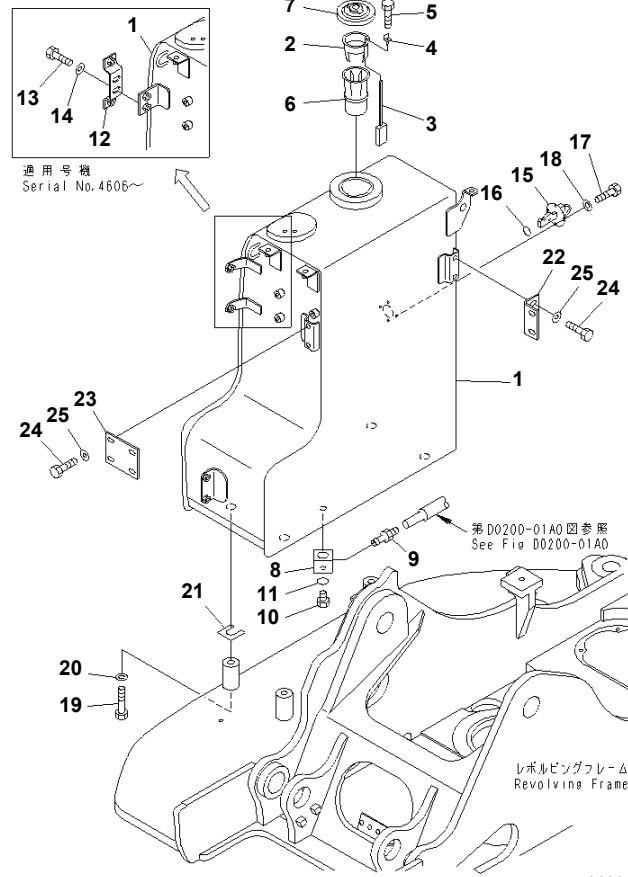
Item	Part No.	Part Name	Qty	Serial No.
1	22B-03-13710	GUARD	1	4501-
2	01010-81020	BOLT	4	4501-
3	01643-31032	WASHER	4	4501-

PC138US-2 S/N 4501-UP (Overseas Version)
FUEL TANK AND RELATED PARTS

Item	Part Name	Qty
10	FUEL TANK	1
20	FUEL LINE	1
30	FUEL LINE (FOR WATER SEPARATOR)	1

PC138US-2 S/N 4501-UP (Overseas Version)

00034037



Ref. D0100-01A0

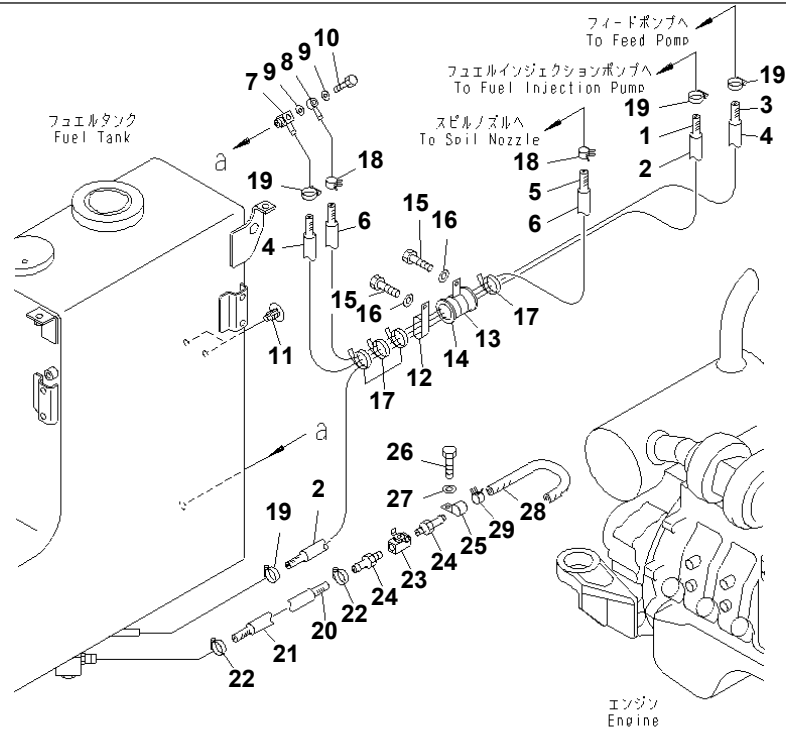
Page 090010

PC138US-2 S/N 4501-UP (Overseas Version)

FUEL TANK

Item	Part No.	Part Name	Qty	Serial No.
1	22B-04-11116	TANK	1	5718-
	22B-04-11115	TANK	1	4606-5717
	22B-04-11114	TANK	1	4501-4605
	22U-04-21200	FLOAT ASS'Y	1	4501-
2	22U-04-21210	・ GUIDE	1	4501-
3	20Y-04-21580	・ CAP	1	4501-
4	22U-04-21220	・ FLOAT	1	4501-
5	☆	・ SCREW	1	4501-
6	07056-18425	STRAINER	1	4501-
7	20Y-04-11161	CAP	1	7804-
	20Y-04-11160	CAP	1	4501-7803
8	22B-04-11120	BLOCK	1	4501-
9	154-04-11540	NIPPLE	1	4501-
10	07040-11007	PLUG	1	4501-
11	07002-11023	O-RING	1	4501-
12	22B-04-11231	PLATE	1	4606-
13	01010-81230	BOLT	2	4606-
14	175-54-34170	WASHER	2	4606-
15	7861-92-5810	SENSOR,FUEL LEVEL	1	4501-
16	07000-13050	O-RING	1	4501-
17	01010-80610	BOLT	4	4501-
18	01643-30623	WASHER	4	4501-
19	01011-81635	BOLT	4	4501-
20	21T-54-16150	WASHER	4	4501-
21	195-03-11570	SHIM, 1.0MM	4	4501-
22	22B-04-11130	PLATE	1	4501-
23	22B-04-11140	PLATE	1	4501-
24	01010-81225	BOLT	8	4501-
25	124-54-26540	WASHER	8	4501-

**PC138US-2 S/N 4501-UP (Overseas Version)
00017883**



00017883

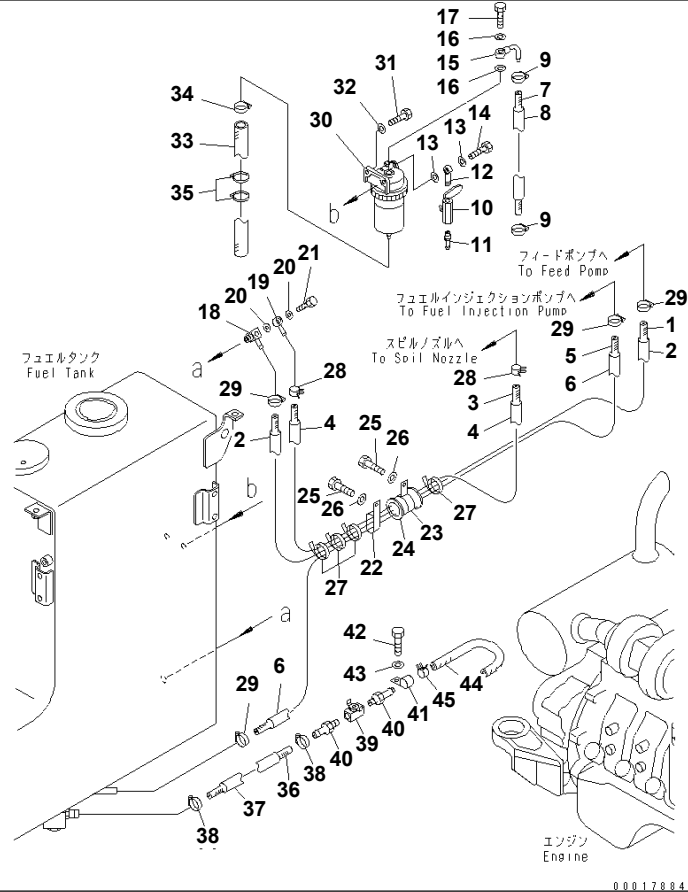
Ref. D0200-01A0

Page 090020

**PC138US-2 S/N 4501-UP (Overseas Version)
FUEL LINE**

Item	Part No.	Part Name	Qty	Serial No.
1	07288-01019	HOSE	1	4501-
2	08017-31918	CONDUIT	1	4501-
3	07288-01018	HOSE	1	4501-
4	08017-21917	CONDUIT	1	4501-
5	07270-40421	TUBE	1	4501-
6	08017-21020	CONDUIT	1	4501-
7	20Y-04-21131	ELBOW	1	4501-
8	20Y-04-21141	TUBE	1	4501-
9	07005-00812	GASKET	2	4501-
10	07206-30508	BOLT	1	4501-
11	20T-54-74510	CAP	2	4501-
12	23S-62-25850	CLIP	1	4501-
13	21K-62-21660	CLIP	1	4501-
14	07095-01245	CUSHION	1	4501-
15	01010-81220	BOLT	2	4501-
16	01643-31232	WASHER	2	4501-
17	08034-00834	BAND	8	4501-
18	07285-00080	CLIP	2	4501-
19	11Y-09-11140	CLIP	4	4501-
20	07288-01006	HOSE	1	4501-
21	08017-31905	CONDUIT	1	4501-
22	11Y-09-11140	CLIP	2	4501-
23	07700-50240	VALVE	1	4501-
24	154-04-11540	NIPPLE	2	4501-
25	04434-51312	CLIP	1	4501-
26	01010-81225	BOLT	1	4501-
27	01643-31232	WASHER	1	4501-
28	07270-01020	TUBE	1	4501-
29	07285-00115	CLIP	1	4501-

PC138US-2 S/N 4501-UP (Overseas Version)
00017884



00017884

Ref. D0200-01A1

Page 090030

PC138US-2 S/N 4501-UP (Overseas Version)
FUEL LINE (FOR WATER SEPARATOR)

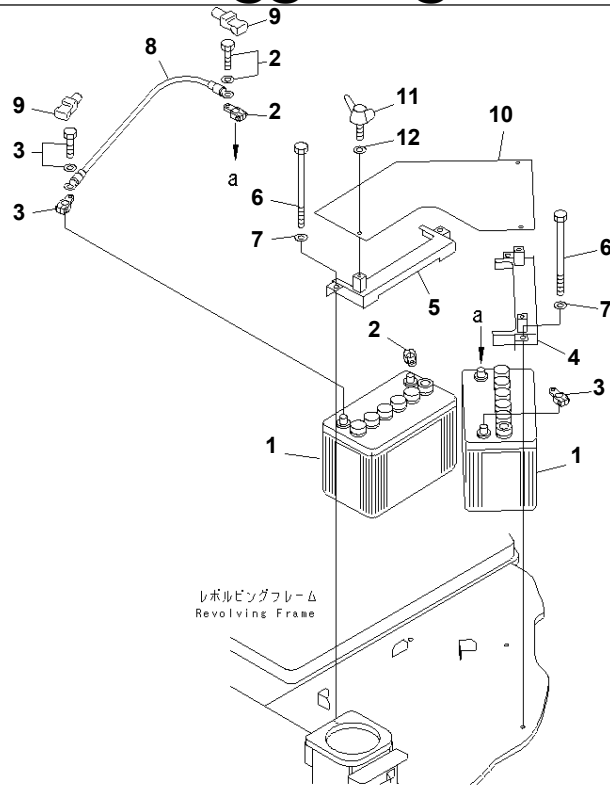
Item	Part No.	Part Name	Qty	Serial No.
1	07288-01018	HOSE	1	4501-
2	08017-31919	CONDUIT	1	4501-
3	07270-40421	TUBE	1	4501-
4	08017-21020	CONDUIT	1	4501-
5	07288-01022	HOSE	1	4501-
6	08017-31921	CONDUIT	1	4501-
7	07288-01010	HOSE	1	4501-
8	08017-31909	CONDUIT	1	4501-
9	11Y-09-11140	CLIP	2	4501-
10	07700-40240	VALVE	1	4501-
11	154-04-11540	NIPPLE	1	4501-
12	205-04-62140	JOINT	1	4501-
13	07005-01412	GASKET	2	4501-
14	07206-31014	BOLT	1	4501-
15	203-04-56150	JOINT	1	4501-
16	07005-01412	GASKET	2	4501-
17	07206-31014	BOLT	1	4501-
18	20Y-04-21131	ELBOW	1	4501-
19	20Y-04-21141	TUBE	1	4501-
20	07005-00812	GASKET	2	4501-
21	07206-30508	BOLT	1	4501-
22	23S-62-25850	CLIP	1	4501-
23	21K-62-21660	CLIP	1	4501-
24	07095-01245	CUSHION	1	4501-
25	01010-81220	BOLT	2	4501-
26	01643-31232	WASHER	2	4501-
27	08034-00834	BAND	8	4501-
28	07285-00080	CLIP	2	4501-
29	11Y-09-11140	CLIP	4	4501-

PC138US-2 S/N 4501-UP (Overseas Version)
FUEL LINE (FOR WATER SEPARATOR)

Item	Part No.	Part Name	Qty	Serial No.
30	600-311-9732	WATER SEPARATOR A.	1	4501-
31	01010-81030	BOLT	2	4501-
32	01643-31032	WASHER	2	4501-
33	07270-00860	TUBE	1	4501-
34	07285-00100	CLIP	1	4501-
35	08034-00519	BAND	2	4501-
36	07288-01006	HOSE	1	4501-
37	08017-31905	CONDUIT	1	4501-
38	11Y-09-11140	CLIP	2	4501-
39	07700-50240	VALVE	1	4501-
40	154-04-11540	NIPPLE	2	4501-
41	04434-51312	CLIP	1	4501-
42	01010-81225	BOLT	1	4501-
43	01643-31232	WASHER	1	4501-
44	07270-01020	TUBE	1	4501-
45	07285-00115	CLIP	1	4501-

**PC138US-2 S/N 4501-UP (Overseas Version)
ELECTRICAL SYSTEM**

Item	Part Name	Qty
10	BATTERY AND MOUNTING	1
20	BATTERY AND MOUNTING (LARGE CAPACITY)	1
30	VEHICLE ELECTRICAL (STARTING HARNESS)	1
40	VEHICLE ELECTRICAL (MAIN HARNESS 1/3)(#4501-5797)	1
50	VEHICLE ELECTRICAL (MAIN HARNESS 1/3)(#5798-)	1
60	VEHICLE ELECTRICAL (MAIN HARNESS 1/3) (FOR 60A ALTERNATOR)(#4501-5797)	1
70	VEHICLE ELECTRICAL (MAIN HARNESS 1/3) (FOR 60A ALTERNATOR)(#5798-)	1
80	VEHICLE ELECTRICAL (MAIN HARNESS 2/3)	1
90	VEHICLE ELECTRICAL (MAIN HARNESS 2/3) (FOR 60A ALTERNATOR)	1
100	VEHICLE ELECTRICAL (MAIN HARNESS 3/3)(#4501-5797)	1
110	VEHICLE ELECTRICAL (MAIN HARNESS 3/3)(#5798-)	1
120	VEHICLE ELECTRICAL (MAIN HARNESS 3/3) (FOR 60A ALTERNATOR)(#4501-5797)	1
130	VEHICLE ELECTRICAL (MAIN HARNESS 3/3) (FOR 60A ALTERNATOR)(#5798-)	1
140	VEHICLE ELECTRICAL (25A ALTERNATOR HARNESS)	1
150	VEHICLE ELECTRICAL (35A ALTERNATOR HARNESS)	1
160	VEHICLE ELECTRICAL (FLOOR HARNESS CLAMP)	1
170	VEHICLE ELECTRICAL (PRESSURE SWITCH AND SENSOR)	1
180	VEHICLE ELECTRICAL (RELAY)	1
190	VEHICLE ELECTRICAL (OVERLOAD WARNING SENSOR)	1
200	ADDITIONAL WORK LAMP	1
210	HORN	1
220	TRAVEL ALARM(#4501-5717)	1
230	TRAVEL ALARM (FOR EXCEPT JAPAN)(#5718-)	1



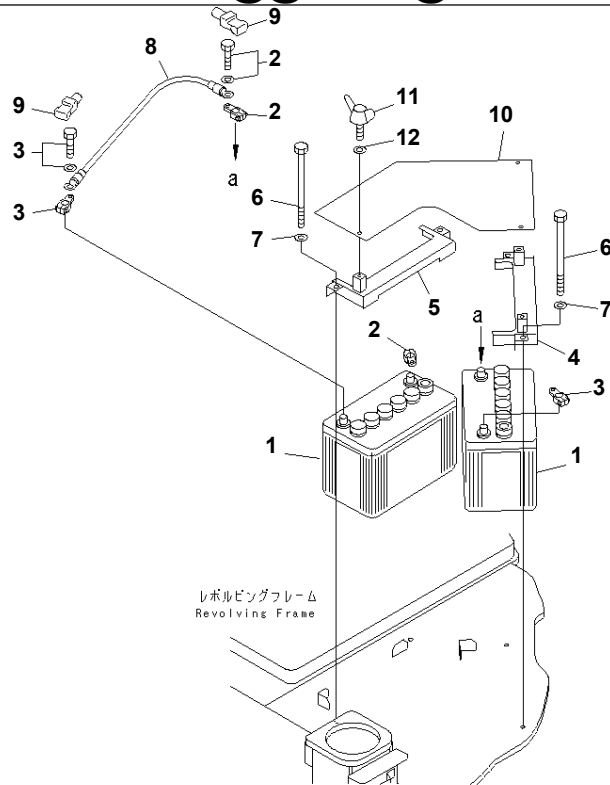
PTK7350

Ref. E0100-01A0

Page 120010

PC138US-2 S/N 4501-UP (Overseas Version)
BATTERY AND MOUNTING

Item	Part No.	Part Name	Qty	Serial No.
1	203-06-67260	BATTERY, WET(95D31R)	2	4501-
2	08000-00000	・ TERMINAL, (+)	1	4501-
3	08000-00001	・ TERMINAL, (-)	1	4501-
4	22B-06-11151	CLAMP	1	4501-
5	22B-06-11161	CLAMP	1	4501-
6	21W-06-21290	BOLT	4	4501-
7	01643-31032	WASHER	4	4501-
8	08028-CH040	CABLE	1	4501-
9	08038-42009	CAP	2	4501-
10	22B-06-11171	COVER	1	4501-
11	01434-00820	BOLT, WING	3	4501-
12	01643-30823	WASHER	3	4501-



PTK7350

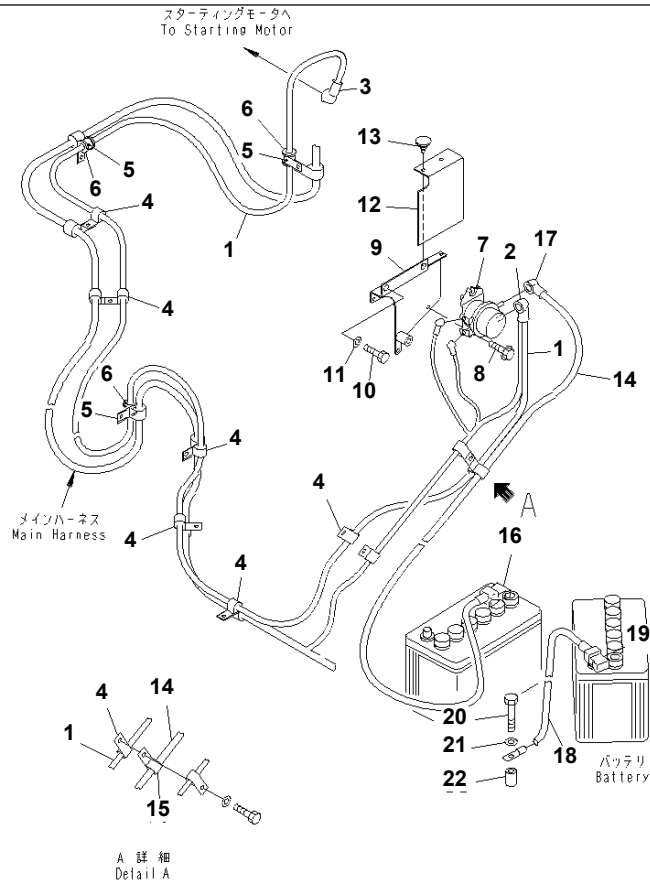
Ref. E0100-01A1

Page 120020

PC138US-2 S/N 4501-UP (Overseas Version)
BATTERY AND MOUNTING (LARGE CAPACITY)

Item	Part No.	Part Name	Qty	Serial No.
1	21Y-06-11510	BATTERY, WET(115D31R)	2	4501-
2	08000-00000	・ TERMINAL, (+)	1	4501-
3	08000-00001	・ TERMINAL, (-)	1	4501-
4	22B-06-11151	CLAMP	1	4501-
5	22B-06-11161	CLAMP	1	4501-
6	21W-06-21290	BOLT	4	4501-
7	01643-31032	WASHER	4	4501-
8	08028-CH040	CABLE	1	4501-
9	08038-42009	CAP	2	4501-
10	22B-06-11171	COVER	1	4501-
11	01434-00820	BOLT, WING	3	4501-
12	01643-30823	WASHER	3	4501-

PC138US-2 S/N 4501-UP (Overseas Version)
00018087



00018087

Ref. E0200-01A0

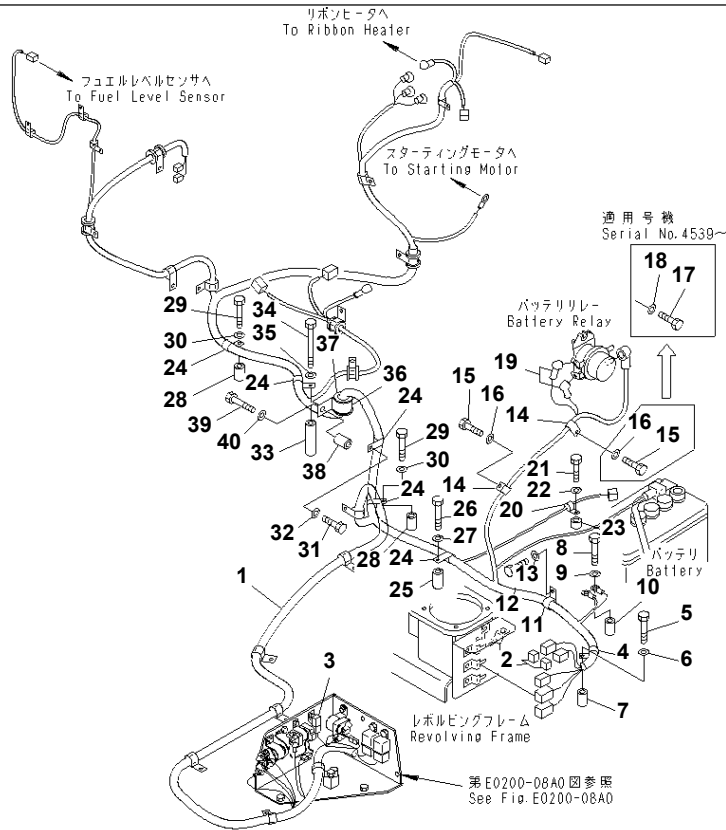
Page 120030

PC138US-2 S/N 4501-UP (Overseas Version)
VEHICLE ELECTRICAL (STARTING HARNESS)

Item	Part No.	Part Name	Qty	Serial No.
1	22B-06-14740	CABLE	1	4501-
2	08038-00035	CAP	1	4501-
3	08038-14030	CAP	1	4501-
4	04434-51712	CLIP	7	4501-
5	04434-52512	CLIP	3	4501-
6	07095-20318	CUSHION	3	4501-
7	08088-30000	SWITCH	1	4501-
8	01435-00825	BOLT	2	4501-
9	22B-06-14760	BRACKET	1	4501-
10	01010-81225	BOLT	2	4501-
11	01643-31232	WASHER	2	4501-
12	22B-06-14770	SHEET	1	4501-
13	20T-54-74510	CAP	2	4501-
14	08028-CH070	CABLE	1	4501-
15	04434-51712	CLIP	1	4501-
16	08038-42511	CAP	1	4501-
17	08038-04030	CAP	1	4501-
18	08028-48030	CABLE	1	4501-
19	08038-22009	CAP	1	4501-
20	01010-81060	BOLT	1	4501-
21	01643-31032	WASHER	1	4501-
22	20Y-03-11220	COLLAR	1	4501-

PC138US-2 S/N 4501-UP (Overseas Version)

00034038



Ref. E0200-02A0

Page 120040

PC138US-2 S/N 4501-UP (Overseas Version)
 VEHICLE ELECTRICAL (MAIN HARNESS 1/3)(#4501-5797)

Item	Part No.	Part Name	Qty	Serial No.
1	22B-06-14111	WIRING HARNESS	1	4501-5797
2	20T-06-81230	・ FUSIBLE LINK	2	4501-@
3	8233-06-3350	・ DIODE	1	4501-@
4	04434-52712	CLIP	1	4501-5797
5	01010-81260	BOLT	1	4501-@
6	01643-31232	WASHER	1	4501-@
7	20Y-03-11220	COLLAR	1	4501-@
8	01010-81060	BOLT	2	4501-@
9	01643-31032	WASHER	2	4501-@
10	20Y-03-11220	COLLAR	2	4501-@
11	04434-52712	CLIP	1	4501-5797
12	01010-81220	BOLT	1	4539-@
	01010-81225	BOLT	1	4501-4538
13	01643-31232	WASHER	1	4501-@
14	04434-51712	CLIP	2	4501-@
15	01010-81225	BOLT	1	4539-@
	01010-81225	BOLT	2	4501-4538
16	01643-31232	WASHER	1	4539-@
	01643-31232	WASHER	2	4501-4538
17	01010-81230	BOLT	1	4539-@
18	01643-31232	WASHER	1	4539-@
19	08038-00519	CAP	2	4501-@
20	04434-51012	CLIP	1	4501-@
21	01010-81240	BOLT	1	4501-@
22	01643-31232	WASHER	1	4501-@
23	144-947-3490	SPACER	1	4501-@
24	04434-52712	CLIP	5	4501-5797
25	205-03-71331	COLLAR	1	4501-@
26	01010-81270	BOLT	1	4501-@



Download the full PDF manual instantly.

Our customer service e-mail:

aservicemanualpdf@yahoo.com