

**HM350-1 S/N 1001-UP**  
**HM350-1 S/N 1001-UP**

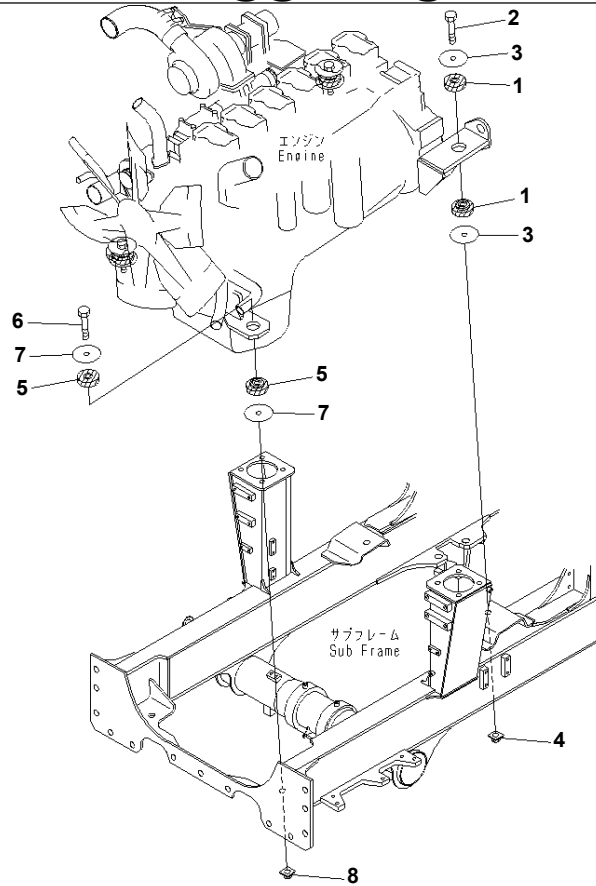
Item	Part Name
	SAA6D140E-3J-8 S/N 110003-UP
	SAA6D140E-3H-8 S/N 110003-UP
B0	ENGINE RELATED PARTS
C0	COOLING SYSTEM
D0	FUEL TANK AND RELATED PARTS
E0	ELECTRICAL SYSTEM
F0	POWER TRAIN
H0	HYDRAULIC SYSTEM
J0	MAIN FRAME AND RELATED PARTS
K0	OPERATOR'S COMPARTMENT AND CONTROL SYSTEM
L0	PLATFORM AND RELATED PARTS
M0	GUARD
S0	RIM AND TIRE
T0	BODY
U0	MARKS AND PLATES
V0	TOOL
W0	MISCELLANEOUS
Y0	SERVICE KIT AND COMPONENT PARTS

**HM350-1 S/N 1001-UP**  
**ENGINE RELATED PARTS**

<b>Item</b>	<b>Part Name</b>	<b>Qty</b>
10	ENGINE MOUNTING	1
20	ENGINE HOSE	1
30	ENGINE PIPING (AIR INTAKE AND EXHAUST) (WITHOUT EXHAUST BRAKE)	1
40	ENGINE PIPING (AIR INTAKE AND EXHAUST) (WITH EXHAUST BRAKE)	1
50	ENGINE HARNESS(#1001-1041)	1
60	ENGINE HARNESS(#1042-)	1
70	AIR CONDITIONER (HEATER PIPING)	1
80	HEATER (HEATER PIPING)	1
90	AIR CONDITIONER (AIR COMPRESSOR AND RELATED PARTS)	1
100	DAMPER	1

HM350-1 S/N 1001-UP

@@2B247@



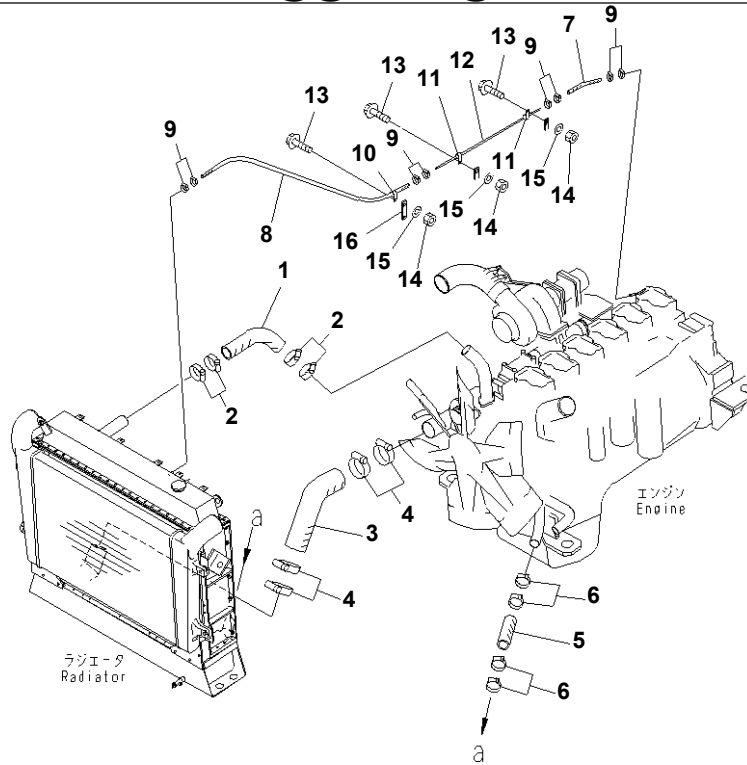
Ref. B0100-01A0

Page 030010

HM350-1 S/N 1001-UP  
ENGINE MOUNTING

Item	Part No.	Part Name	Qty	Serial No.
1	425-01-11350	CUSHION	4	1001-
2	01011-62225	BOLT	2	1001-
3	424-01-11220	WASHER	4	1001-
4	425-01-11250	PLATE	2	1001-
5	425-01-11370	CUSHION	4	1001-
6	01011-62225	BOLT	2	1001-
7	424-01-11220	WASHER	4	1001-
8	425-01-11250	PLATE	2	1001-

HM350-1 S/N 1001-UP  
 @@2C814@



PJ2C814

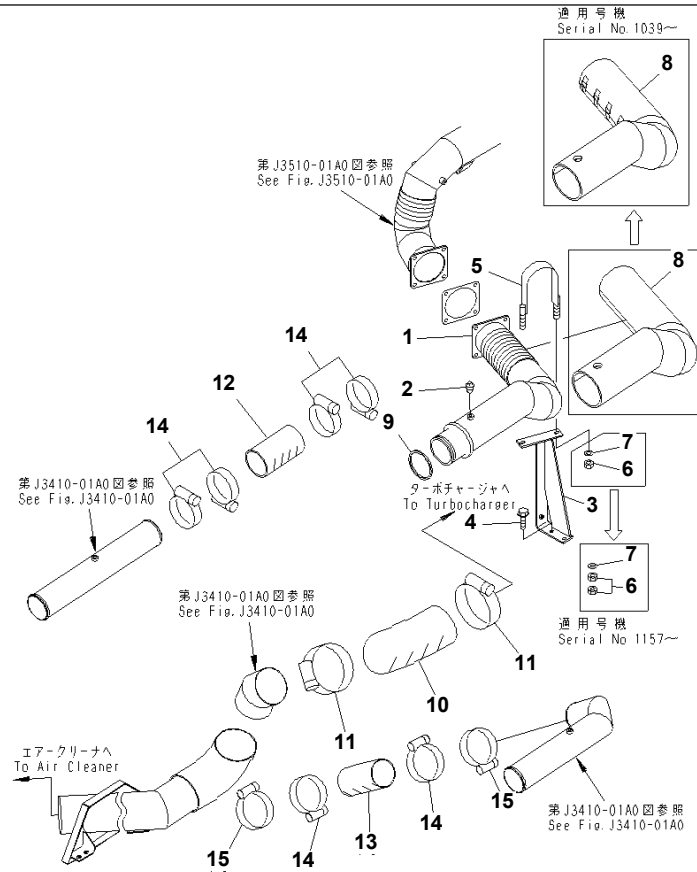
Ref. B0110-01A0

Page 030020

HM350-1 S/N 1001-UP  
 ENGINE HOSE

Item	Part No.	Part Name	Qty	Serial No.
1	56B-03-11612	HOSE	1	.-
	56B-03-11611	HOSE	1	1001-.
2	07299-00070	CLAMP	4	.-
	07289-00070	CLAMP	4	1001-.
3	56B-03-11621	HOSE	1	.-
	56B-03-11620	HOSE	1	1001-.
4	07299-00105	CLAMP	4	.-
	07289-00105	CLAMP	4	1001-.
5	07260-24722	HOSE	1	1001-
6	07299-00055	CLAMP	4	.-
	07289-00055	CLAMP	4	1001-.
7	09483-40302	HOSE	1	1001-
8	09483-40312	HOSE	1	1001-
9	07281-10197	CLAMP	8	1001-
10	04434-51710	CLIP	1	1001-
11	04434-51010	CLIP	2	1001-
12	56B-03-11750	TUBE	1	1001-
13	01435-01020	BOLT	3	1002-
	01435-01016	BOLT	3	1001-1001
14	01580-01008	NUT	2	1001-
15	01643-31032	WASHER	2	1001-
16	56B-03-11920	PLATE	1	1002-
	567-04-41330	PLATE	1	1001-1001

HM350-1 S/N 1001-UP  
00036126



00036126

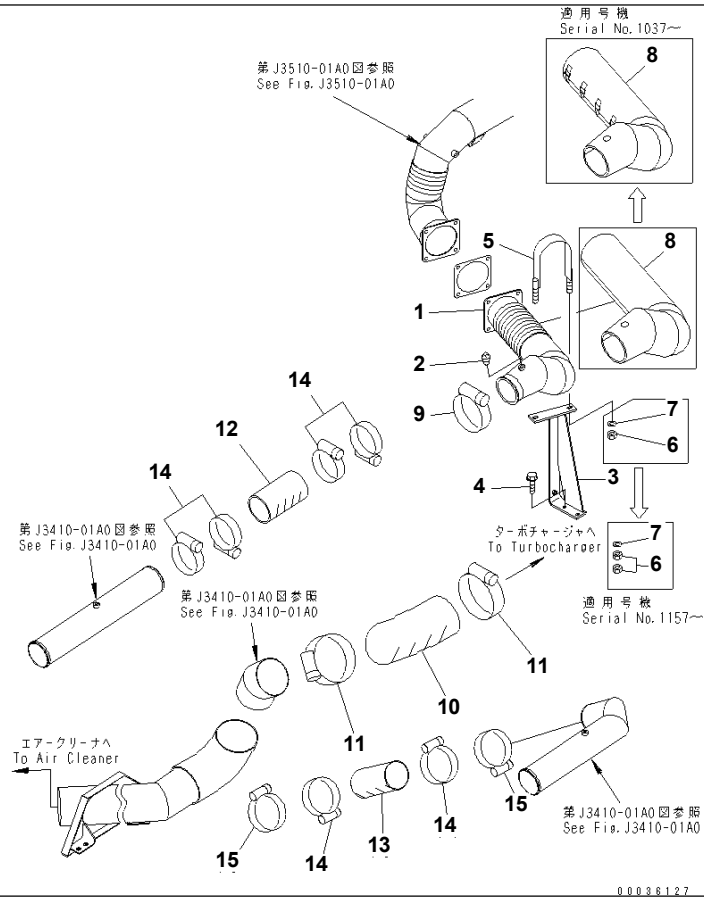
Ref. B0130-01A0

Page 030030

HM350-1 S/N 1001-UP  
ENGINE PIPING (AIR INTAKE AND EXHAUST) (WITHOUT EXHAUST BRAKE)

Item	Part No.	Part Name	Qty	Serial No.
1	56B-02-11713	TUBE	1	1189-
	□56B-02-11712	TUBE	1	1157-1188
	□56B-02-11711	TUBE	1	1001-1156
2	07042-20108	PLUG	1	1001-
3	56B-02-11122	BRACKET	1	1157-
	56B-02-11121	BRACKET	1	1001-1156
4	01435-01020	BOLT	2	1001-
5	56B-02-21810	CLAMP	1	1157-
	56B-02-11810	BAND	1	1001-1156
6	01580-11008	NUT	4	1157-
	01580-11008	NUT	2	1001-1156
7	01643-31032	WASHER	2	1001-
8	56B-02-11723	COVER	1	1169-
	56B-02-11722	COVER	1	1039-1168
	56B-02-11721	COVER	1	1001-1038
9	566-02-81160	RING	2	1001-
10	568-02-22240	ELBOW	1	1001-
11	07289-00160	CLAMP	2	1001-
12	566-02-6E141	HOSE	1	1001-
13	566-02-6E141	HOSE	1	1001-
14	569-02-82190	CLAMP	6	1169-
	07299-00105	CLAMP	6	1001-1168
15	569-02-82190	CLAMP	2	1169-
	07299-00105	CLAMP	2	1001-1168

HM350-1 S/N 1001-UP  
00036127

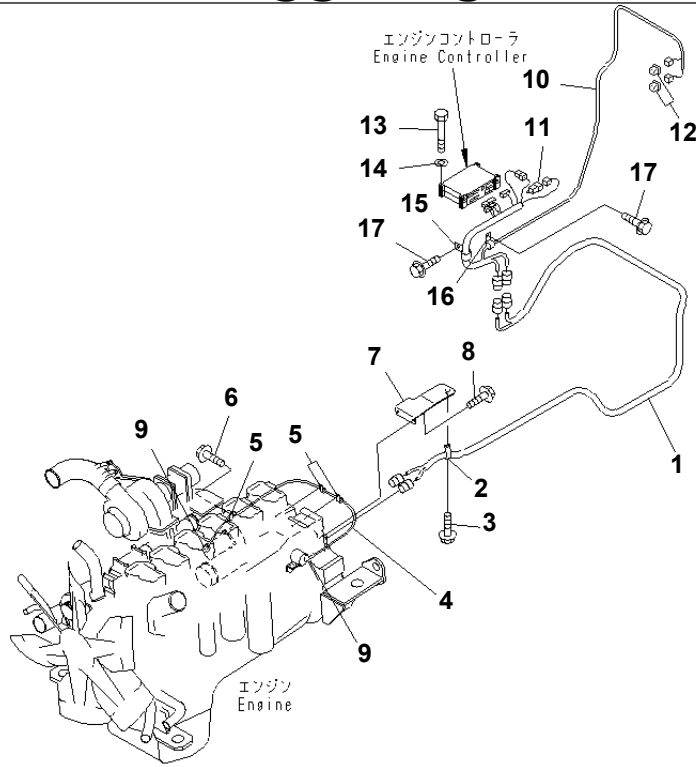


Ref. B0130-01A1

Page 030040

HM350-1 S/N 1001-UP  
ENGINE PIPING (AIR INTAKE AND EXHAUST) (WITH EXHAUST BRAKE)

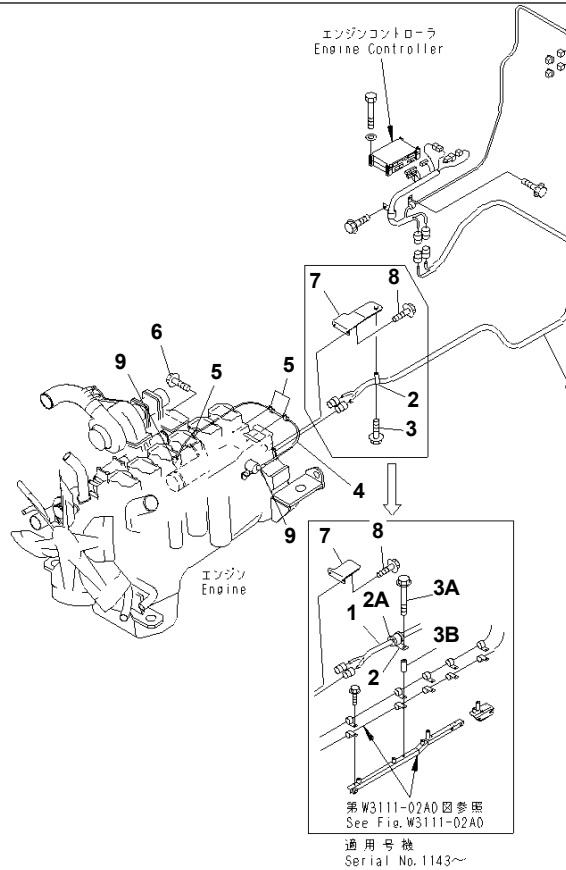
Item	Part No.	Part Name	Qty	Serial No.
1	56B-02-11612	TUBE	1	1189-
	□56B-02-11611	TUBE	1	1157-1188
	56B-02-11610	TUBE	1	1001-1156
2	07042-20108	PLUG	1	1001-
3	56B-02-11122	BRACKET	1	1157-
	56B-02-11121	BRACKET	1	1001-1156
4	01435-01020	BOLT	2	1001-
5	56B-02-21810	CLAMP	1	1157-
	56B-02-11810	BAND	1	1001-1156
6	01580-11008	NUT	4	1157-
	01580-11008	NUT	2	1001-1156
7	01643-31032	WASHER	2	1001-
8	56B-02-11133	COVER	1	1157-
	56B-02-11132	COVER	1	1037-1156
	56B-02-11131	COVER	1	1001-1036
9	6151-11-5361	CLAMP	1	1001-
10	568-02-22240	ELBOW	1	1001-
11	07289-00160	CLAMP	2	1001-
12	566-02-6E141	HOSE	1	1031-
	566-02-6E141	HOSE	2	1001-1030
13	566-02-6E141	HOSE	1	1001-
14	569-02-82190	CLAMP	6	1169-
	07299-00105	CLAMP	6	1001-1168
15	569-02-82190	CLAMP	2	1169-
	07299-00105	CLAMP	2	1001-1168



HM350-1 S/N 1001-UP  
ENGINE HARNESS(#1001-1041)

Item	Part No.	Part Name	Qty	Serial No.
1	56B-06-11461	WIRING HARNESS,ENGINE	1	1001-@
2	08036-03014	CLIP	1	1001-@
3	01435-01016	BOLT	1	1001-@
4	56B-06-14530	CABLE,RIBBON HEATER	1	1001-@
5	08036-00814	CLIP	3	1001-@
6	01435-01016	BOLT	1	1001-@
7	56B-06-11140	BRACKET	1	1001-@
8	01436-01020	BOLT	2	1001-@
9	08038-02027	CAP	2	1001-@
10	56B-06-16441	WIRING HARNESS	1	1001-1041
11	56C-06-16410	CONNECTOR	1	1001-1041
12	569-06-61960	RELAY	2	1001-1041
13	01010-80885	BOLT	4	1001-1041
14	01643-30823	WASHER	4	1001-1041
15	08036-03014	CLIP	1	1001-1041
16	08036-00814	CLIP	1	1001-1041
17	01435-01016	BOLT	2	1001-1041

HM350-1 S/N 1001-UP  
00001376



00001376

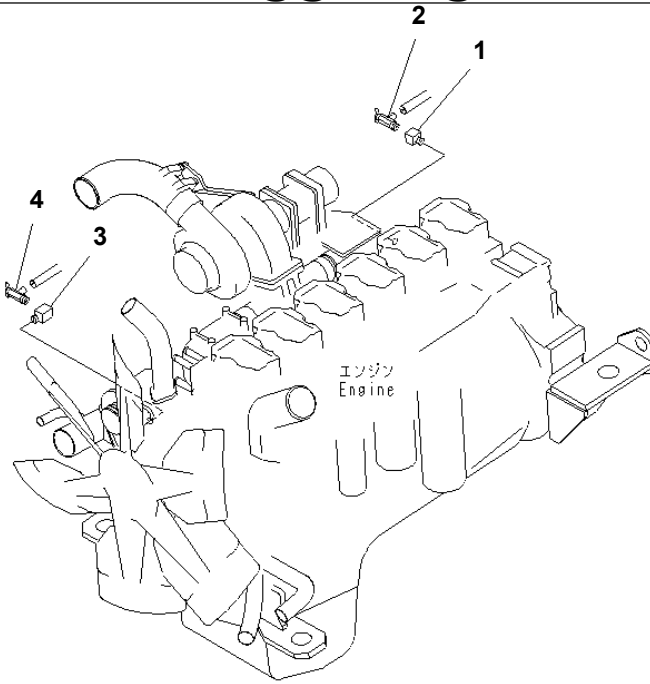
Ref. B0140-01A0A

Page 030060

HM350-1 S/N 1001-UP  
ENGINE HARNESS(#1042-)

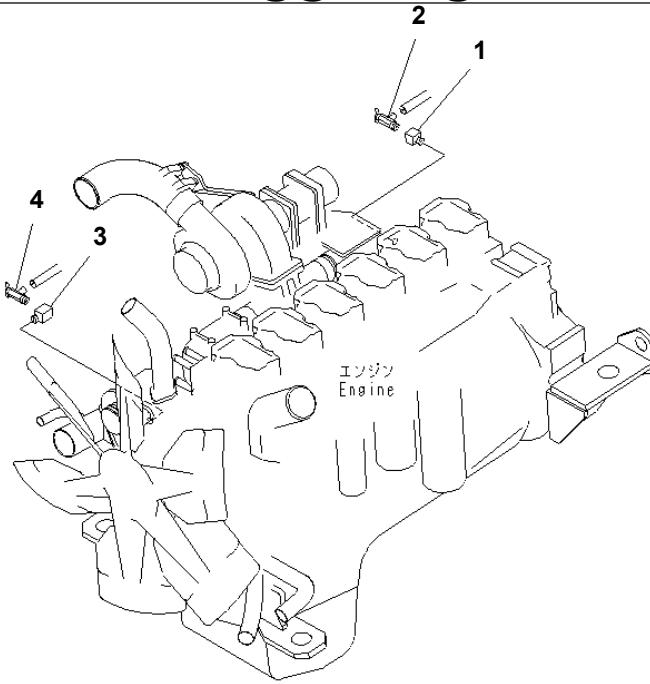
Item	Part No.	Part Name	Qty	Serial No.
1	56B-06-11461	WIRING HARNESS,ENGINE	1	1001-
2	04434-53411	CLIP	1	1143-
	08036-03014	CLIP	1	1001-1142
2A	07095-00526	CUSHION	1	1143-
3	01435-01016	BOLT	1	1001-1142
3A	(01435-01065)	BOLT,(SEE SERVICE NEWS)	1	1143-
3B	(6152-51-5520)	SPACER,(SEE SERVICE NEWS)	1	1143-
4	56B-06-14530	CABLE,RIBBON HEATER	1	1001-
5	08036-00814	CLIP	3	1001-
6	01435-01016	BOLT	1	1001-
7	56B-06-11141	BRACKET	1	1143-
	56B-06-11140	BRACKET	1	1001-1142
8	01436-01020	BOLT	2	1001-
9	08038-02027	CAP	2	1001-





HM350-1 S/N 1001-UP  
AIR CONDITIONER (HEATER PIPING)

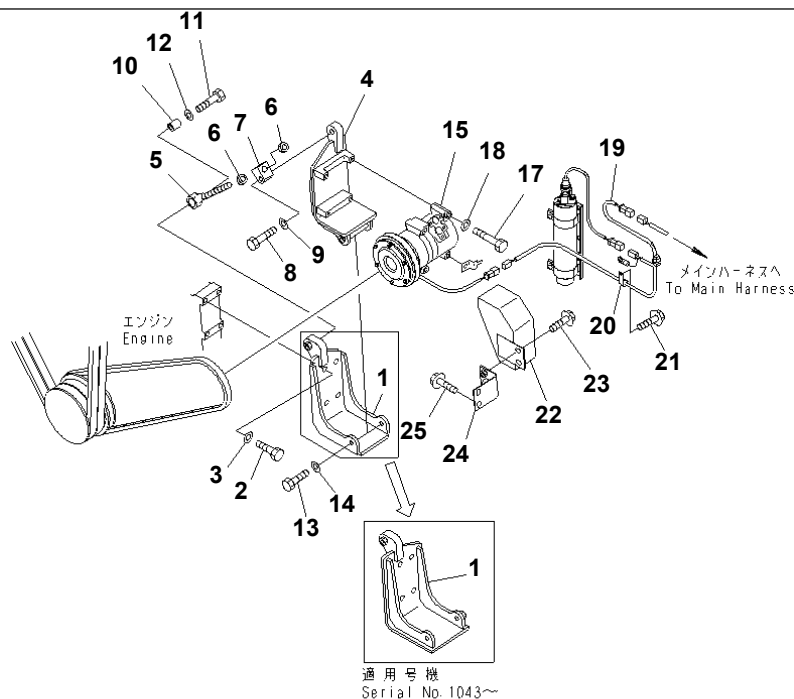
Item	Part No.	Part Name	Qty	Serial No.
1	569-07-63340	ADAPTER	1	1001-
2	09482-10000	VALVE	1	1001-
3	561-07-45120	ELBOW	1	1001-
4	09482-10000	VALVE	1	1001-



HM350-1 S/N 1001-UP  
HEATER (HEATER PIPING)

Item	Part No.	Part Name	Qty	Serial No.
1	569-07-63340	ADAPTER	1	1001-
2	09482-20000	VALVE	1	1001-
3	561-07-45120	ELBOW	1	1001-
4	09482-20000	VALVE	1	1001-

HM350-1 S/N 1001-UP  
00017223



00017223

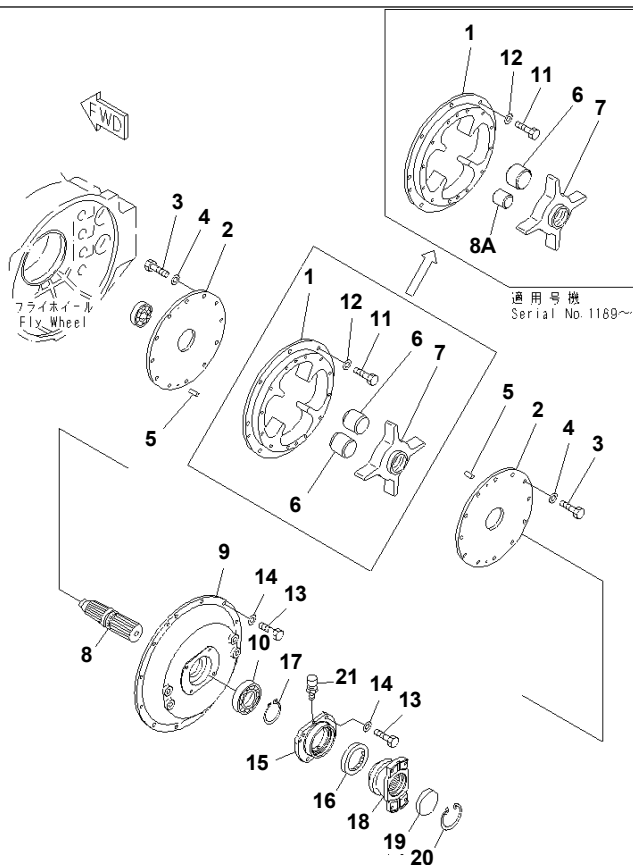
Ref. B0150-02A0

Page 030090

HM350-1 S/N 1001-UP  
AIR CONDITIONER (AIR COMPRESSOR AND RELATED PARTS)

Item	Part No.	Part Name	Qty	Serial No.
1	56B-07-12764	BRACKET	1	1043-
	◆56B-07-12763	BRACKET	1	1001-1042
2	01010-81230	BOLT	4	1001-
3	01643-31232	WASHER	4	1001-
4	56B-07-12774	BRACKET	1	1001-
5	6240-81-8610	ROD	1	1001-
6	01580-01613	NUT	2	1001-
7	6240-81-8670	PLATE	1	1001-
8	01010-81275	BOLT	1	1001-
9	01643-31232	WASHER	1	1001-
10	6215-81-6150	PIN	1	1001-
11	01010-81275	BOLT	1	1001-
12	01643-31232	WASHER	1	1001-
13	125-70-21210	BOLT	1	1001-
14	01643-31232	WASHER	1	1001-
15	421-07-31221	COMPRESSOR ASS'Y	1	1169-
	421-07-31220	COMPRESSOR ASS'Y	1	1001-1168
17	01010-80875	BOLT	4	1001-
18	01643-30823	WASHER	4	1001-
19	56B-06-11442	WIRING HARNESS	1	1001-1121
20	08036-01214	CLIP	1	1001-1121
21	01435-01016	BOLT	1	1001-
22	56B-07-12831	COVER	1	1001-
23	01435-01020	BOLT	2	1001-
24	56B-07-12840	BRACKET	1	1001-
25	01435-01016	BOLT	2	1001-

HM350-1 S/N 1001-UP  
00064774



00064774

Ref. B0600-01A0

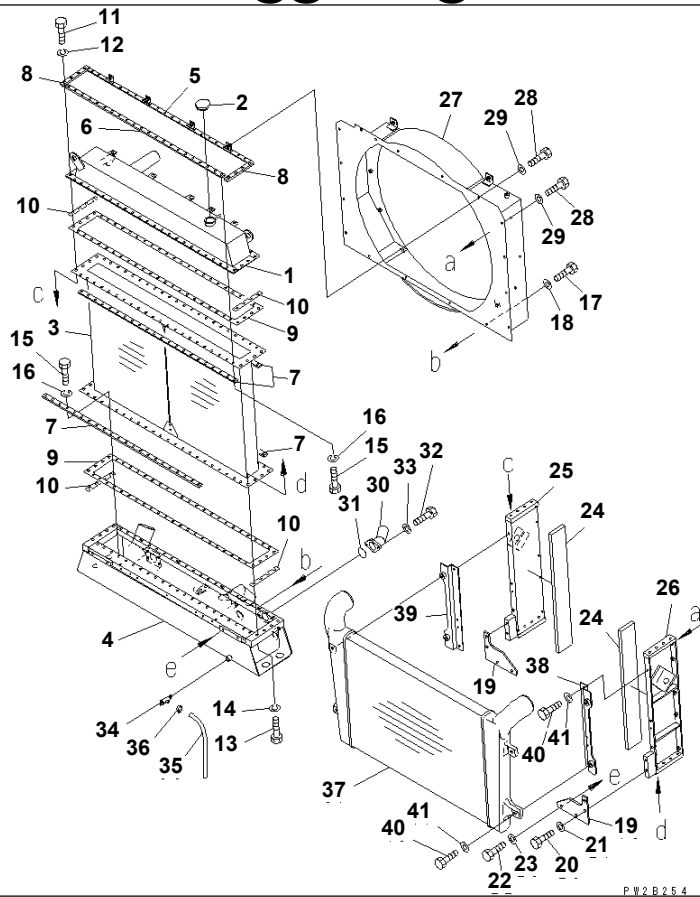
Page 030100

HM350-1 S/N 1001-UP  
DAMPER

Item	Part No.	Part Name	Qty	Serial No.
1	566-01-82140	BODY	1	1189-
	566-01-72140	BODY, OUTER	1	1001-1188
2	566-01-22161	FLANGE	2	1001-
3	01010-61030	BOLT	24	1001-
4	01643-31032	WASHER	24	1001-
5	04020-00820	PIN, DOWEL	4	1001-
6	566-01-82180	CUSHION	4	1189-
	287-01-12180	CUSHION	8	1001-1188
7	566-01-82150	BODY	1	1189-
	566-01-72150	BODY, INNER	1	1001-1188
8	566-01-72210	SHAFT	1	1001-
8A	566-01-82190	CUSHION	4	1189-
9	56B-01-12111	COVER	1	1001-
10	06040-06213	BEARING	1	1001-
11	01010-61230	BOLT	8	1006-
	01010-31230	BOLT	8	1001-1005
12	01643-31232	WASHER	8	1001-
13	01010-61235	BOLT	16	1006-
	01010-31235	BOLT	16	1001-1005
14	01643-31232	WASHER	16	1001-
15	56B-01-12120	COVER	1	1001-
16	566-01-22912	SEAL	1	1001-
17	04064-06525	RING, SNAP	1	1001-
	56B-01-12710	COUPLING ASS'Y	1	1001-
18	56B-01-12720	· COUPLING	1	1001-
19	569-01-62790	· CAP	1	1001-
20	04065-09530	· RING, SNAP	1	1001-
21	07030-01030	BREATHER	1	1001-

**HM350-1 S/N 1001-UP  
COOLING SYSTEM**

Item	Part Name	Qty
10	RADIATOR AND AFTER COOLER(#1001-1193)	1
20	RADIATOR AND AFTER COOLER(#1194-)	1
30	RADIATOR (BAFFLE AND FAN NET)	1
40	RADIATOR (BRAKE COOLING PIPING)	1
50	RADIATOR (AIR CONDITIONER CONDENSOR AND MOUNTING PARTS)	1
60	RADIATOR (AIR INTAKE PIPING)	1
70	RADIATOR (MOUNTING PARTS)	1
80	RADIATOR (RESERVE TANK AND PIPING)	1
90	COOLANT LINE	1



Ref. C0110-01A0

Page 060010

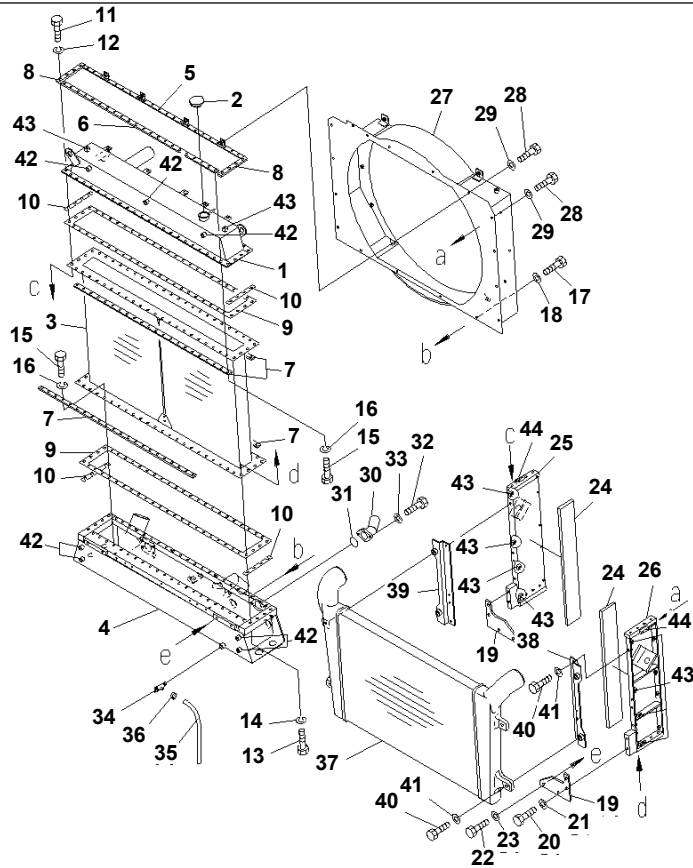
HM350-1 S/N 1001-UP  
RADIATOR AND AFTER COOLER(#1001-1193)

Item	Part No.	Part Name	Qty	Serial No.
	56B-03-11101	RADIATOR ASS'Y	1	1001-@
	56B-03-11201	· RADIATOR ASS'Y	1	1001-@
1	56B-03-11110	· · TANK,UPPER	1	1001-@
2	566-03-6A510	· · CAP	1	1001-@
3	56B-03-11120	· · CORE	1	1001-@
4	56B-03-11311	· · TANK,LOWER	1	1001-@
5	56B-03-11340	· · PLATE	1	1001-@
6	56B-03-11350	· · PLATE	1	1001-@
7	56B-03-11450	· · PLATE	4	1001-@
8	566-03-6A330	· · PLATE	2	1001-@
9	56B-03-11320	· · GASKET	2	1001-@
10	566-03-41160	· · SHIM?0.6MM	18	1001-@
11	01010-81245	· · BOLT	8	1001-@
12	01602-21236	· · WASHER,SPRING	8	1001-@
13	01010-81265	· · BOLT	8	1001-@
14	01602-21236	· · WASHER,SPRING	8	1001-@
15	01010-81030	· · BOLT	88	1001-@
16	01602-21030	· · WASHER,SPRING	88	1001-@
17	01010-81016	· · BOLT	4	1001-@
18	01643-31032	· · WASHER	4	1001-@
19	56B-03-11371	· · PLATE	2	1001-@
20	01010-81285	· · BOLT	6	1001-@
21	01643-31232	· · WASHER	6	1001-@
22	01010-81225	· · BOLT	4	1001-@
23	01643-31232	· · WASHER	4	1001-@
24	56B-03-11150	· · SEAT	2	1001-@
25	56B-03-11130	· · SUPPORT	1	1001-@
26	56B-03-11140	· · SUPPORT	1	1001-@
27	56B-03-11160	· · SHROUD	1	1001-@

**HM350-1 S/N 1001-UP**  
**RADIATOR AND AFTER COOLER(#1001-1193)**

Item	Part No.	Part Name	Qty	Serial No.
28	01010-81025	· · BOLT	14	1001-@
29	01643-31032	· · WASHER	14	1001-@
30	56B-03-11460	· · TUBE	1	1001-@
31	07000-F2055	· · O-RING	1	1001-@
32	01010-81025	· · BOLT	2	1001-@
33	01643-31032	· · WASHER	2	1001-@
34	195-03-13241	· · VALVE	1	1001-@
35	07270-01509	· · TUBE	1	1001-@
36	07280-02023	· · CLAMP	1	1001-@
37	6212-62-4100	· AFTER COOLER ASS'Y	1	1001-@
38	56B-03-11190	· BRACKET,L.H.	1	1001-@
39	56B-03-11180	· BRACKET,R.H.	1	1001-@
40	01010-81225	· BOLT	8	1001-@
41	01643-31232	· WASHER	8	1001-@

HM350-1 S/N 1001-UP  
00075873



00075873

Ref. C0110-01A0A

Page 060020

HM350-1 S/N 1001-UP  
RADIATOR AND AFTER COOLER(#1194-)

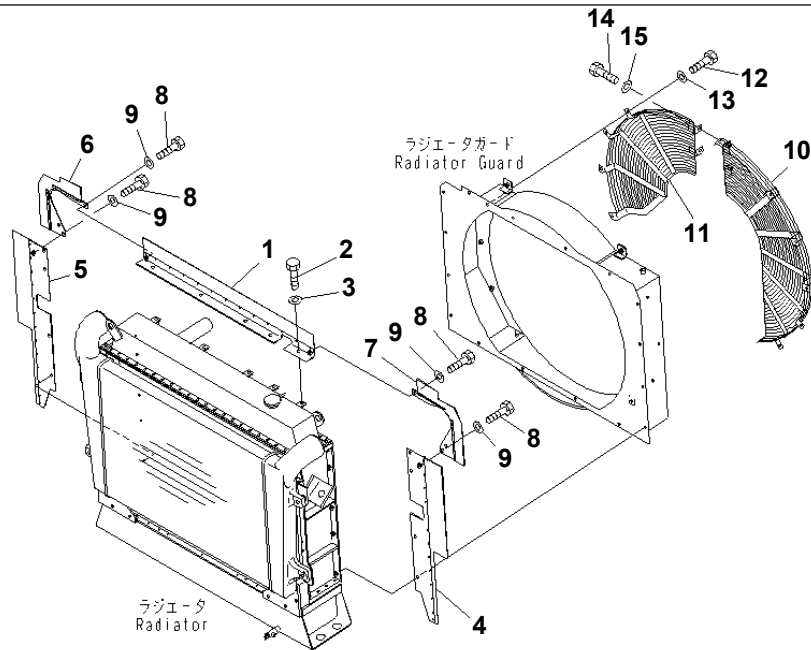
Item	Part No.	Part Name	Qty	Serial No.
	56B-03-12210	RADIATOR ASS'Y	1	1194-
	56B-03-11101	· RADIATOR ASS'Y	1	1001-
	56B-03-11201	· · RADIATOR ASS'Y	1	1001-
1	56B-03-11110	· · · TANK,UPPER	1	1001-
2	566-03-6A510	· · · CAP	1	1001-
3	56B-03-11120	· · · CORE	1	1001-
4	56B-03-11311	· · · TANK,LOWER	1	1001-
5	56B-03-11340	· · · PLATE	1	1001-
6	56B-03-11350	· · · PLATE	1	1001-
7	56B-03-11450	· · · PLATE	4	1001-
8	566-03-6A330	· · · PLATE	2	1001-
9	56B-03-11320	· · · GASKET	2	1001-
10	566-03-41160	· · · SHIM?0.6MM	18	1001-
11	01010-81245	· · · BOLT	8	1001-
12	01602-21236	· · · WASHER,SPRING	8	1001-
13	01010-81265	· · · BOLT	8	1001-
14	01602-21236	· · · WASHER,SPRING	8	1001-
15	01010-81030	· · · BOLT	88	1001-
16	01602-21030	· · · WASHER,SPRING	88	1001-
17	01010-81016	· · · BOLT	4	1001-
18	01643-31032	· · · WASHER	4	1001-
19	56B-03-11371	· · · PLATE	2	1001-
20	01010-81285	· · · BOLT	6	1001-
21	01643-31232	· · · WASHER	6	1001-
22	01010-81225	· · · BOLT	4	1001-
23	01643-31232	· · · WASHER	4	1001-
24	56B-03-11150	· · · SEAT	2	1001-
25	56B-03-11130	· · · SUPPORT	1	1001-
26	56B-03-11140	· · · SUPPORT	1	1001-



**HM350-1 S/N 1001-UP**  
**RADIATOR AND AFTER COOLER(#1194-)**

Item	Part No.	Part Name	Qty	Serial No.
27	56B-03-11160	. . . SHROUD	1	1001-
28	01010-81025	. . . BOLT	14	1001-
29	01643-31032	. . . WASHER	14	1001-
30	56B-03-11460	. . . TUBE	1	1001-
31	07000-F2055	. . . O-RING	1	1001-
32	01010-81025	. . . BOLT	2	1001-
33	01643-31032	. . . WASHER	2	1001-
34	195-03-13241	. . . VALVE	1	1001-
35	07270-01509	. . . TUBE	1	1001-
36	07280-02023	. . . CLAMP	1	1001-
37	6212-62-4100	. . AFTER COOLER ASS'Y	1	1001-
38	56B-03-11190	. . BRACKET,L.H.	1	1001-
39	56B-03-11180	. . BRACKET,R.H.	1	1001-
40	01010-81225	. . BOLT	8	1001-
41	01643-31232	. . WASHER	8	1001-
42	01571-01016	. SEAT	7	1194-
43	01572-21019	. SEAT	10	1194-
44	01573-20206	. SEAT	2	1194-

HM350-1 S/N 1001-UP  
00004717



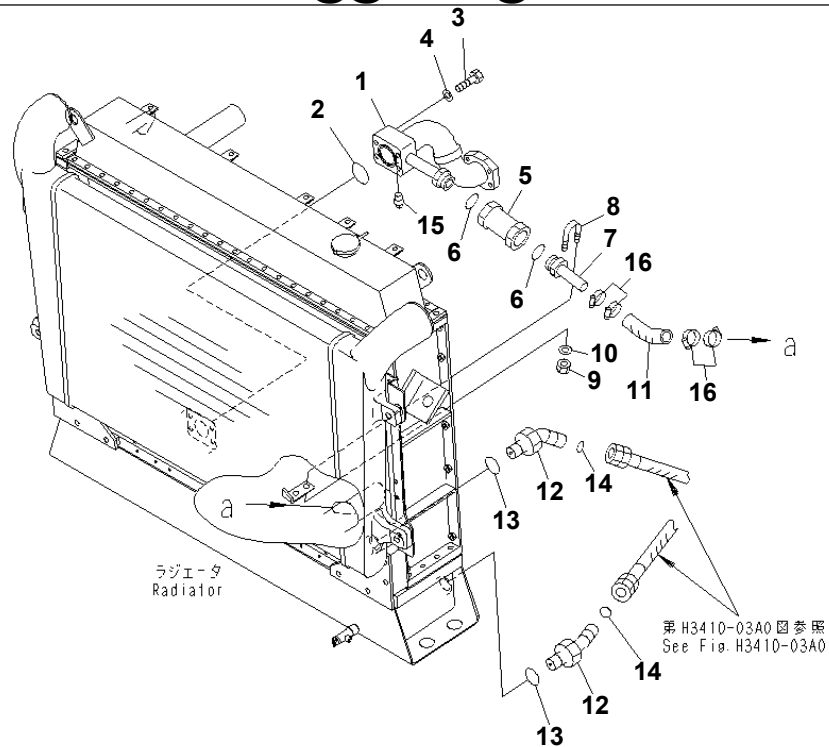
00004717

Ref. C0110-02A0

Page 060030

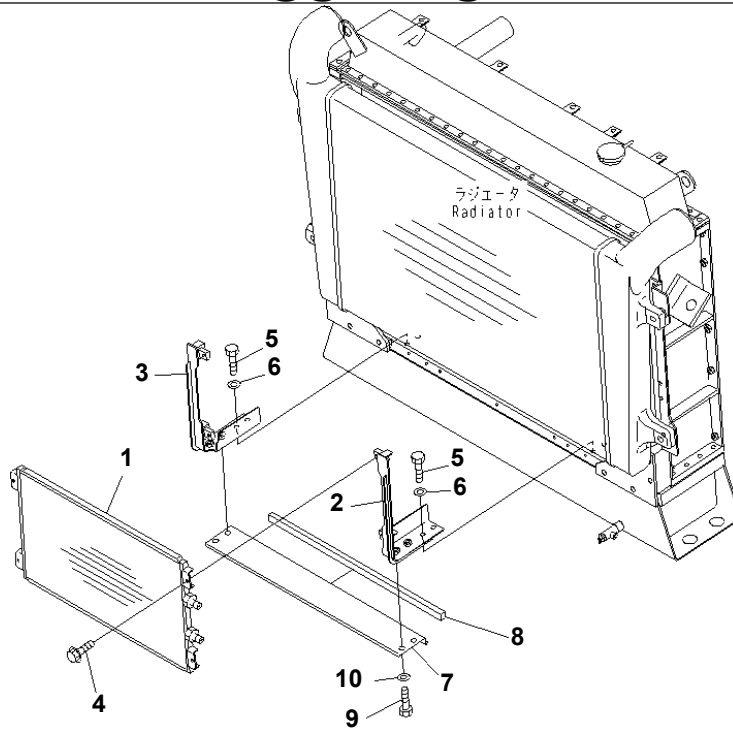
HM350-1 S/N 1001-UP  
RADIATOR (BAFFLE AND FAN NET)

Item	Part No.	Part Name	Qty	Serial No.
1	56B-03-11812	BAFFLE	1	1001-
	04400-00414	・ RIVET	13	1001-
2	01010-81025	BOLT	5	1001-
3	01643-31032	WASHER	5	1001-
4	56B-03-11821	BAFFLE	1	1001-
	04400-00414	・ RIVET	12	1001-
5	56B-03-11831	BAFFLE	1	1001-
	04400-00414	・ RIVET	12	1001-
6	56B-03-11870	BAFFLE	1	1001-
7	56B-03-11880	BAFFLE	1	1001-
8	01435-01020	BOLT	4	1001-
9	01643-31032	WASHER	4	1001-
10	566-03-41481	NET	1	1001-
11	56B-03-11862YF	COVER	1	-
	56B-03-11862XC	COVER	1	1001-
	56B-03-11862	COVER	1	1001-
12	01010-81025	BOLT	9	1001-
13	01643-31032	WASHER	9	1001-
14	01010-81025	BOLT	2	1001-
15	01643-31032	WASHER	2	1001-



HM350-1 S/N 1001-UP  
RADIATOR (BRAKE COOLING PIPING)

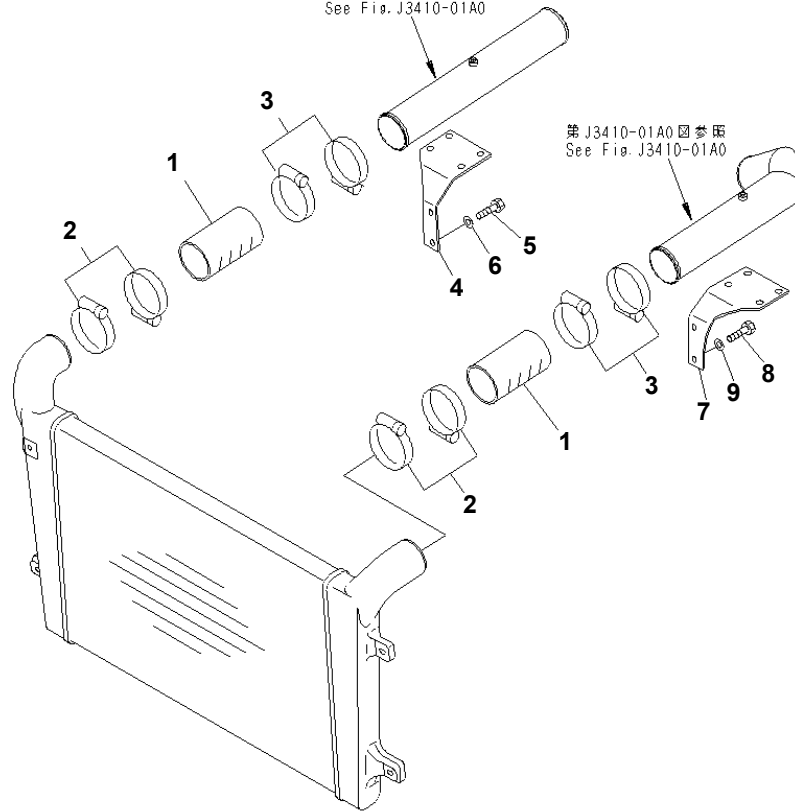
Item	Part No.	Part Name	Qty	Serial No.
1	56B-61-12372	TUBE	1	1169-
	(☑56B-61-12371)	TUBE	1	(1001-1168)
2	07000-F2060	O-RING	1	1001-
3	01010-81270	BOLT	4	1001-
4	01643-31232	WASHER	4	1001-
5	56B-60-11500	VALVE ASS'Y	1	1001-
6	07002-24234	O-RING	2	1001-
7	56B-61-12381	TUBE	1	1001-
8	07283-32738	CLIP	1	1002-
	□07283-22738	CLIP	1	1001-1001
9	01597-01009	NUT	2	1001-
10	01643-31032	WASHER	2	1001-
11	56B-61-12792	HOSE	1	1202-
	56B-61-12791	HOSE	1	1002-1201
	□56B-61-12790	HOSE	1	1001-1001
12	56B-61-13451	ELBOW	2	1001-
13	07002-23634	O-RING	2	1001-
14	207-62-64740	O-RING	2	1001-
15	07042-20108	PLUG	1	1001-
16	07289-00035	CLAMP	4	1001-



HM350-1 S/N 1001-UP  
**RADIATOR (AIR CONDITIONER CONDENSOR AND MOUNTING PARTS)**

Item	Part No.	Part Name	Qty	Serial No.
1	20Y-979-6131	CONDENSER ASS'Y	1	1104-
	20Y-979-6130	CONDENSER ASS'Y	1	1001-1103
2	56B-07-12860	BRACKET	1	1001-
3	56B-07-12723	BRACKET	1	1001-
4	01435-00814	BOLT	4	1001-
5	01010-81035	BOLT	4	1001-
6	01643-31032	WASHER	4	1001-
7	56B-07-12870	COVER	1	1001-
8	56B-07-12880	SEAL	2	1001-
9	01010-81020	BOLT	4	1001-
10	01643-31032	WASHER	4	1001-

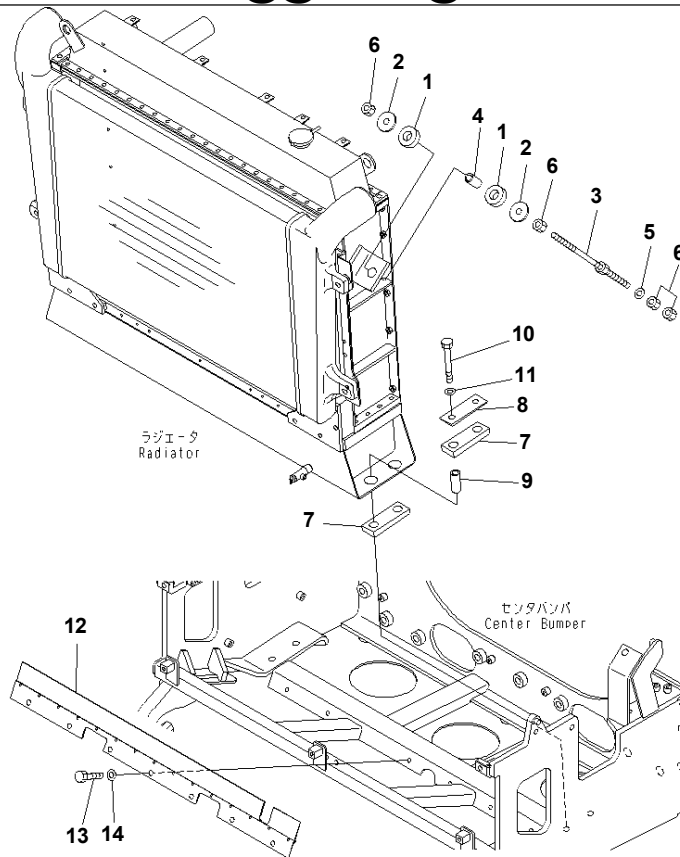
第 J3410-01A0 図参照  
See Fig. J3410-01A0



00015146

HM350-1 S/N 1001-UP  
RADIATOR (AIR INTAKE PIPING)

Item	Part No.	Part Name	Qty	Serial No.
1	566-02-6E141	HOSE	2	1001-
2	569-02-82190	CLAMP	4	1169-
	07299-00105	CLAMP	4	1043-1168
	6212-11-4840	CLAMP	4	1001-1042
3	569-02-82190	CLAMP	4	1169-
	07299-00105	CLAMP	4	1043-1168
	6212-11-4840	CLAMP	4	1001-1042
4	56B-02-12231	BRACKET	1	1001-
5	01010-81030	BOLT	2	1001-
6	01643-31032	WASHER	2	1001-
7	56B-02-12241	BRACKET	1	1001-
8	01010-81030	BOLT	2	1001-
9	01643-31032	WASHER	2	1001-

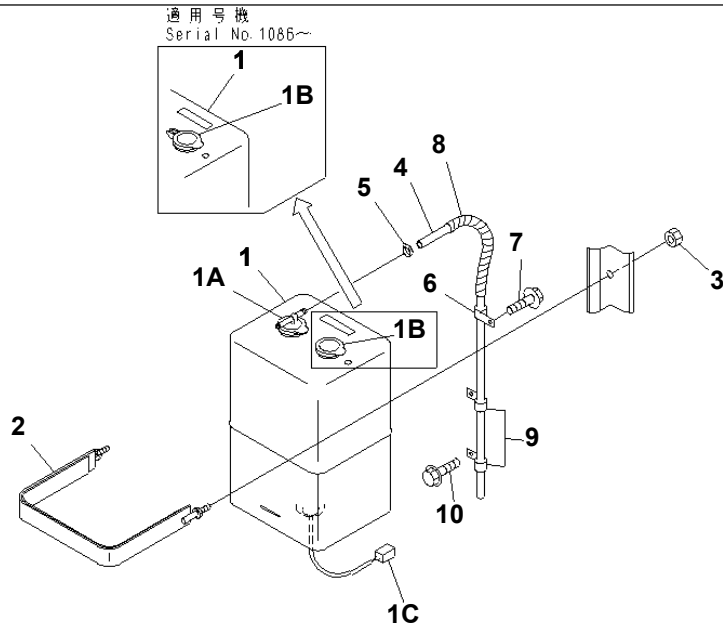


PW2B392

HM350-1 S/N 1001-UP  
RADIATOR (MOUNTING PARTS)

Item	Part No.	Part Name	Qty	Serial No.
1	285-03-11160	CUSHION	4	1001-
2	285-03-11170	PLATE	4	1001-
3	569-03-42340	ROD	2	1001-
4	566-03-42270	SPACER	2	1001-
5	01643-31645	WASHER	4	1001-
6	01582-11613	NUT	8	1001-
7	285-03-11120	CUSHION	4	1001-
8	285-03-11140	PLATE	2	1001-
9	566-03-42270	SPACER	4	1001-
10	01010-81695	BOLT	4	1001-
11	01643-31645	WASHER	4	1001-
12	56B-03-11842	BAFFLE	1	1001-
	04400-00414	· RIVET	15	1001-
13	01010-81025	BOLT	7	1001-
14	01643-31032	WASHER	7	1001-

HM350-1 S/N 1001-UP  
00033295



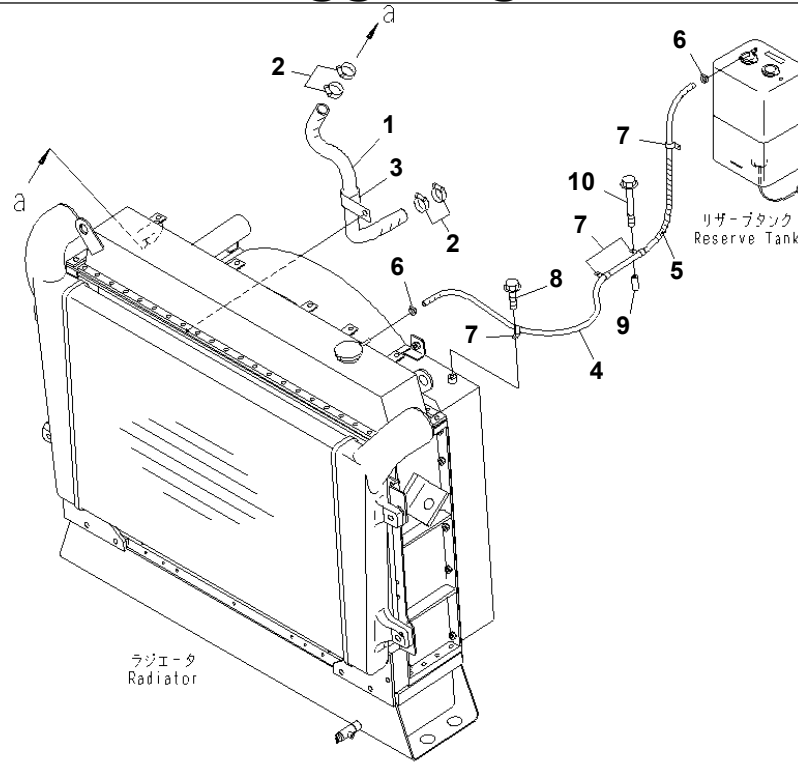
00033295

Ref. C0110-07A0

Page 060080

HM350-1 S/N 1001-UP  
RADIATOR (RESERVE TANK AND PIPING)

Item	Part No.	Part Name	Qty	Serial No.
1	56B-03-11911	TANK	1	1086-
	56B-03-11910	TANK	1	1001-1085
1A	21N-03-32360	· CAP ASS'Y	1	1001-
1B	56B-03-11930	· CAP	1	1086-
	21N-03-32350	· CAP ASS'Y	1	1001-1085
1C	08192-22810	· CONNECTOR	1	1001-
2	56B-03-11740	BAND	1	1001-
3	01580-00806	NUT	2	1001-
4	418-03-21230	HOSE	1	1060-
	56B-03-11630	TUBE	1	1001-1059
5	07281-10167	CLAMP	1	1001-
6	04434-51410	CLIP	1	1001-
7	01435-01016	BOLT	1	1001-
8	08210-00602	SPIRAL TUBE	1	1001-
9	04434-51210	CLIP	2	1001-
10	01435-01016	BOLT	1	1001-



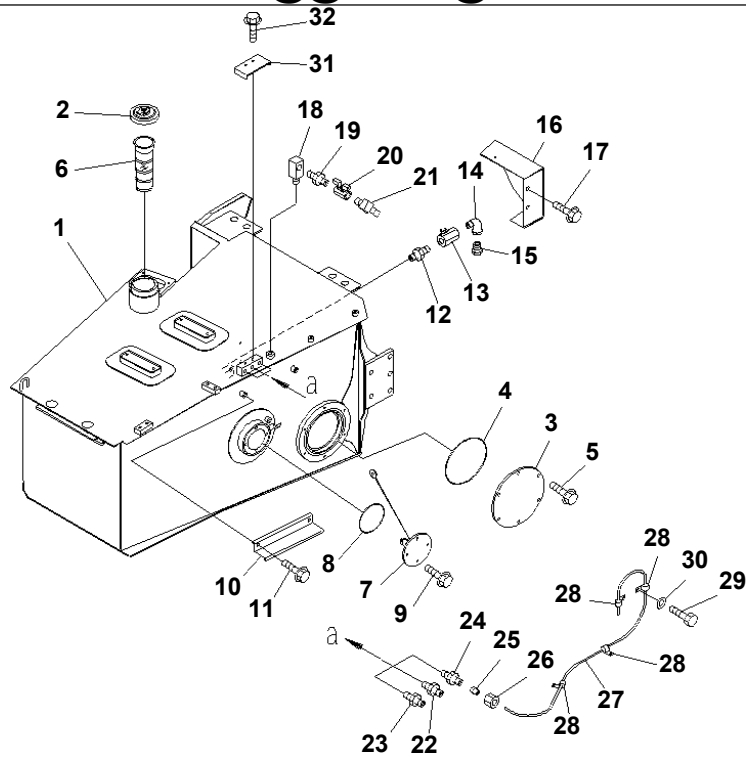
HM350-1 S/N 1001-UP  
COOLANT LINE

Item	Part No.	Part Name	Qty	Serial No.
1	56B-03-11851	HOSE	1	1042-
	□56B-03-11850	HOSE	1	1001-1041
2	07281-10419	CLAMP	4	1001-
3	566-03-12620	CLAMP	1	1001-
4	56B-03-11642	HOSE	1	1042-
	□56B-03-11641	HOSE	1	1001-1041
5	08210-01204	SPIRAL TUBE	1	1001-
6	07281-10167	CLAMP	2	1001-
7	04434-51410	CLIP	5	1001-
8	01435-01016	BOLT	2	1001-
9	23S-61-15250	COLLAR	2	1001-
10	01435-01060	BOLT	2	1001-



**HM350-1 S/N 1001-UP**  
**FUEL TANK AND RELATED PARTS**

Item	Part Name	Qty
10	FUEL TANK AND RELATED PARTS(#1001-1085)	1
20	FUEL TANK AND RELATED PARTS(#1086-1121)	1
30	FUEL TANK AND RELATED PARTS(#1122-)	1
40	FUEL TANK AND RELATED PARTS (WITH HEATER)(#1001-1093)	1
50	FUEL TANK AND RELATED PARTS (WITH HEATER)(#1094-1121)	1
60	AIR CLEANER AND PIPING(#1001-1121)	1
70	AIR CLEANER AND PIPING(#1122-)	1
80	AIR CLEANER AND PIPING (WITH HEATER)(#1001-1121)	1
90	FUEL TANK MOUNTING PARTS	1
100	AIR CLEANER (INNER PARTS)(#1001-1121)	1
110	FUEL TANK SUB ASS'Y (FUEL TANK AND RELATED PARTS)(#1122-)	1
120	FUEL TANK SUB ASS'Y (FUEL TANK AND RELATED PARTS) (WITH HEATER)(#1122-)	1
130	FUEL TANK SUB ASS'Y (FUEL TANK AND RELATED PARTS) (WITH FUEL QUICK CHARGE)(#1122-)	1
140	FUEL TANK SUB ASS'Y (AIR CLEANER AND PIPING)(#1122-)	1
150	FUEL TANK SUB ASS'Y (AIR CLEANER AND PIPING) (WITH HEATER)(#1122-)	1
160	FUEL TANK SUB ASS'Y (AIR CLEANER AND PIPING) (WITH FUEL QUICK CHRGE)(#1122-)	1
170	FUEL TANK SUB ASS'Y (HAND RAIL AND BOX)(#1122-)	1
180	FUEL TANK SUB ASS'Y (HAND RAIL AND BOX) (WITH HEATER)(#1122-)	1
190	FUEL TANK SUB ASS'Y (AIR CLEANER) (INNER PARTS)(#1122-)	1
200	FUEL PIPING	1
210	FUEL PIPING (WITH WATER SEPARATOR) (1/2)	1
220	FUEL PIPING (WITH WATER SEPARATOR) (2/2)	1
230	WATER SEPARATOR (INNER PARTS)	1



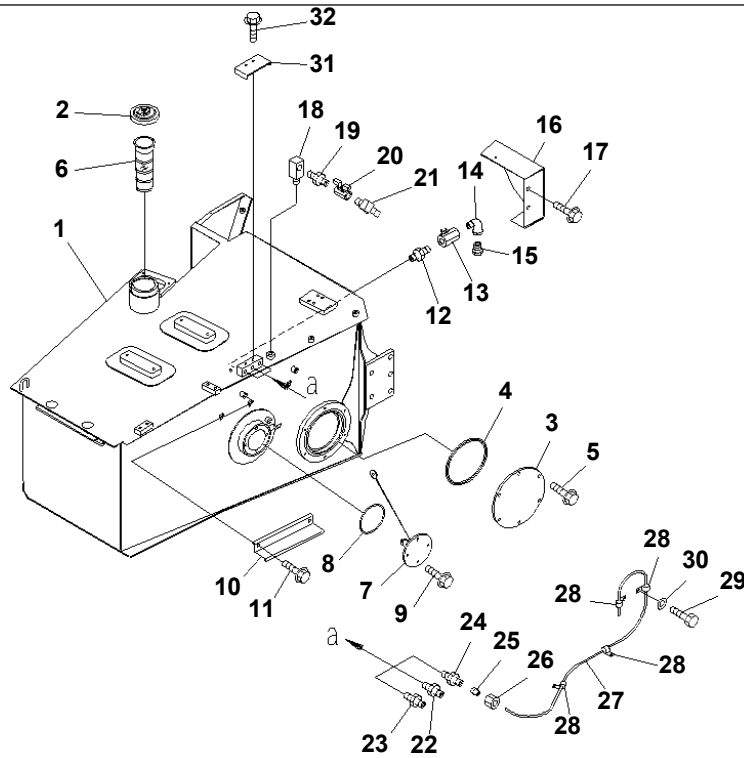
HM350-1 S/N 1001-UP  
**FUEL TANK AND RELATED PARTS(#1001-1085)**

Item	Part No.	Part Name	Qty	Serial No.
	56C-04-11101	TANK ASS'Y	1	1001-1085
1	56C-04-11112	· TANK	1	1001-1085
2	20Y-04-11160	· CAP	1	1001-@
3	428-04-11120	· COVER	1	1001-@
4	07000-15200	· O-RING	1	1001-@
5	01435-01025	· BOLT	6	1001-@
6	22U-04-21241	STRAINER ASS'Y	1	1043-@
	22U-04-21240	STRAINER ASS'Y	1	1001-1042
7	7861-93-4930	SENSOR,FUEL LEVEL	1	1001-@
8	07000-12085	O-RING	1	1001-@
9	01435-01016	BOLT	4	1001-@
10	56B-04-11160	BRACKET	1	1001-@
11	01435-01016	BOLT	2	1001-@
12	07325-00200	NIPPLE	1	1001-@
13	363-04-11130	VALVE	1	1001-@
14	281-43-18250	ELBOW	1	1001-@
15	56B-04-11190	ADAPTER	1	1001-@
16	56C-04-11510	COVER	1	1001-@
17	01435-01020	BOLT	3	1001-@
18	234-885-3320	ELBOW	1	1001-@
19	07325-10600	NIPPLE	1	1001-@
20	561-04-61580	VALVE	1	1001-@
21	22R-62-13260	ELBOW	1	1001-@
22	07238-10315	CONNECTOR	1	1001-@
23	07238-10313	CONNECTOR	1	1001-@
24	07836-00617	CONNECTOR	1	1001-@
25	07831-00612	SLEEVE	1	1001-@
26	07832-00614	NUT	1	1001-@
27	07822-00612	TUBE	1	1001-@

**HM350-1 S/N 1001-UP**  
**FUEL TANK AND RELATED PARTS(#1001-1085)**

Item	Part No.	Part Name	Qty	Serial No.
28	04434-51010	CLIP	4	1001-@
29	01010-81020	BOLT	4	1001-@
30	01643-31032	WASHER	4	1001-@
31	566-04-13270	COVER	1	1001-@
32	01435-01020	BOLT	2	1001-@

HM350-1 S/N 1001-UP  
00036128



00036128

Ref. D0100-01A0A

Page 090020

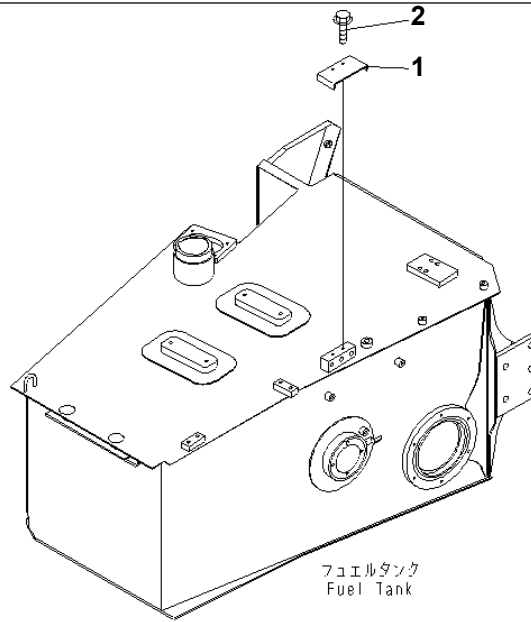
HM350-1 S/N 1001-UP  
FUEL TANK AND RELATED PARTS(#1086-1121)

Item	Part No.	Part Name	Qty	Serial No.
	56C-04-11102	TANK ASS'Y	1	1086-1121
1	56C-04-11113	TANK	1	1086-1121
2	20Y-04-11160	· CAP	1	1001-1121
3	428-04-11120	· COVER	1	1001-1121
4	07000-15200	· O-RING	1	1001-1121
5	01435-01025	· BOLT	6	1001-1121
6	22U-04-21241	STRAINER ASS'Y	1	1043-1121
7	7861-93-4930	SENSOR,FUEL LEVEL	1	1001-1121
8	07000-12085	O-RING	1	1001-1121
9	01435-01016	BOLT	4	1001-1121
10	56B-04-11160	BRACKET	1	1001-1121
11	01435-01016	BOLT	2	1001-1121
12	07325-00200	NIPPLE	1	1001-1121
13	363-04-11130	VALVE	1	1001-1121
14	281-43-18250	ELBOW	1	1001-1121
15	56B-04-11190	ADAPTER	1	1001-1121
16	56C-04-11510	COVER	1	1001-1121
17	01435-01020	BOLT	3	1001-1121
18	234-885-3320	ELBOW	1	1001-1121
19	07325-10600	NIPPLE	1	1001-1121
20	561-04-61580	VALVE	1	1001-1121
21	22R-62-13260	ELBOW	1	1001-1121
22	07238-10315	CONNECTOR	1	1001-1121
23	07238-10313	CONNECTOR	1	1001-1121
24	07836-00617	CONNECTOR	1	1001-1121
25	07831-00612	SLEEVE	1	1001-1121
26	07832-00614	NUT	1	1001-1121
27	07822-00612	TUBE	1	1001-1121
28	04434-51010	CLIP	4	1001-1121

**HM350-1 S/N 1001-UP**  
**FUEL TANK AND RELATED PARTS(#1086-1121)**

---

Item	Part No.	Part Name	Qty	Serial No.
29	01010-81020	BOLT	4	1001-1121
30	01643-31032	WASHER	4	1001-1121
31	566-04-13270	COVER	1	1001-@
32	01435-01020	BOLT	2	1001-@



HM350-1 S/N 1001-UP  
FUEL TANK AND RELATED PARTS(#1122-)

Item	Part No.	Part Name	Qty	Serial No.
1	(566-04-13270)	COVER	1	1001-
2	(01435-01020)	BOLT	2	1001-



**Download the full PDF manual instantly.**

**Our customer service e-mail:**

**[aservicemanualpdf@yahoo.com](mailto:aservicemanualpdf@yahoo.com)**