

Section	Description	Link Book
	SAA6D125E-6B S/N 760004-UP	0000606C
B0	ENGINE RELATED PARTS	
C0	COOLING SYSTEM	
D0	FUEL SYSTEM	
E0	ELECTRICAL SYSTEM	
F0	POWER TRANSMITTING SYSTEM	
H0	HYDRAULIC SYSTEM	
J0	FRAME AND ITS RELATED PARTS	
K0	OPERATOR'S COMPARTMENT AND CONTROL SYSTEM	
M0	GUARDS AND COVERS	
S0	SUSPENSION, WHEEL AND THEIR RELATED PARTS	
T0	BODY	
U0	MARKS AND PLATES	
V0	AUXILIARY PARTS AND TOOL	
W0	OTHER EQUIPMENT	
Y0	FIELD REPAIR SERVICE PARTS	

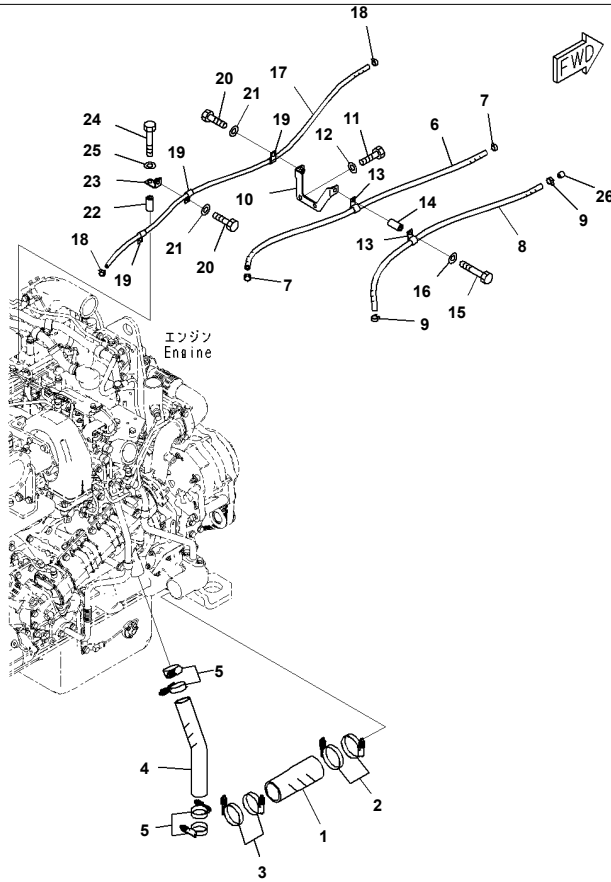
HM300-3 S/N 3001-UP
ENGINE RELATED PARTS

Unit Name	Unit No.
Engine Related Parts	X25-1874380
Engine Mounting	X25-0360520
Exhaust Piping	X25-1320831

HM300-3 S/N 3001-UP
Engine Related Parts

FIG. Name	FIG. No.
Engine Related Parts, Hose	B0000-002001
Engine Related Parts, Air Intake Piping	B0000-002002
Engine Related Parts, Heater Related Parts	B0000-002003
Engine Related Parts, Air Compressor	B0000-002004
Engine Related Parts, Damper	B0000-002005
Engine Related Parts, Heater Piping	B0000-002006

HM300-3 S/N 3001-UP
JM001250



JM001250

Reference:B0000-002001

Page:B001001

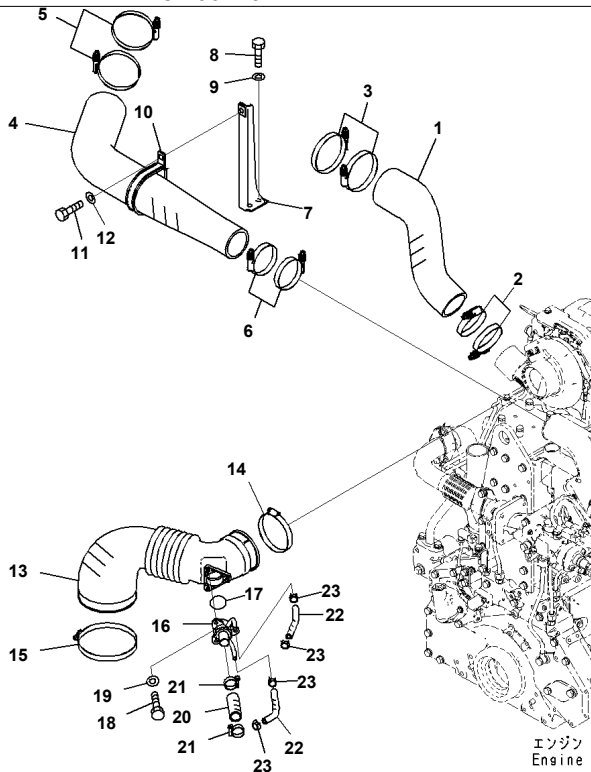
HM300-3 S/N 3001-UP
Engine Related Parts, Hose (#3001-)

Index	Code	Part Number	Description	Qty	Serial No.
1		56D-03-31760	Hose	1	3001-
2		07299-00080	Clamp	2	3001-
3		07299-00070	Clamp	2	3001-
4		56D-03-31680	Hose	1	3001-
5		07299-00055	Clamp	4	3001-
6		56D-03-31830	Hose	1	3001-3002
7		11Y-09-11140	Clip	2	3001-3002
8		56D-03-32820	Hose	1	3001-3002
9		11Y-09-11140	Clip	2	3001-3002
10		56D-03-31940	Bracket	1	3001-3002
11		01010-81035	Bolt	2	3001-3002
12		01643-31032	Washer	2	3001-3002
13		04434-51610	Clip	2	3001-3002
14		431-07-12540	Spacer	1	3001-3002
15		01010-81070	Bolt	1	3001-3002
16		01643-31032	Washer	1	3001-3002
17		56D-03-31891	Hose	1	3001-
18		11Y-09-11130	Clamp	2	3001-
19		04434-51210	Clip	3	3001-
20		01010-81020	Bolt	3	3001-
21		01643-31032	Washer	3	3001-
22		431-07-12540	Spacer	1	3001-
23		431-03-11140	Bracket	1	3001-
24		01010-81065	Bolt	1	3001-
25		01643-31032	Washer	1	3001-
26		426-03-21470	Tube	1	3001-

Reference:B0000-002001

Page:B001001

HM300-3 S/N 3001-UP
JM001251



JM001251

Reference: B0000-002002

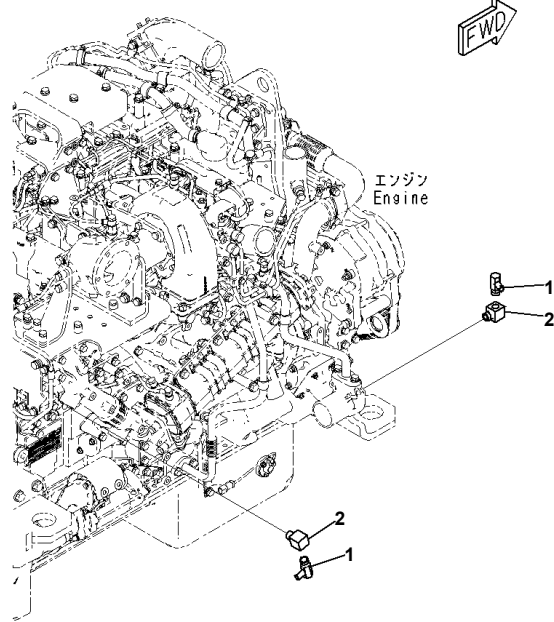
Page: B001002

HM300-3 S/N 3001-UP
Engine Related Parts, Air Intake Piping (#3001-)

Index	Code	Part Number	Description	Qty	Serial No.
1		56D-02-32290	Hose	1	3001-
2		07299-00080	Clamp	2	3001-
3		07299-00105	Clamp	2	3001-
4		56D-02-32220	Hose	1	3001-
5		07299-00105	Clamp	2	3001-
6		07299-00080	Clamp	2	3001-
7		56D-02-32230	Bracket	1	3001-
8		01010-81020	Bolt	2	3001-
9		01643-31032	Washer	2	3001-
10		198-911-7750	Clip	1	3001-
11		01010-81025	Bolt	1	3001-
12		01643-31032	Washer	1	3001-
13		56D-02-32510	Hose	1	3001-
14		07289-00120	Clamp	1	3001-
15		07289-00160	Clamp, Hose	1	3001-
16		56D-02-32520	Tube	1	3001-
17		07000-12040	O-ring	1	3001-
18		01010-80620	Bolt	3	3001-
19		01643-30623	Washer	3	3001-
20		56D-02-32530	Hose	1	3001-
21		07281-00419	Clamp	2	3001-
22		56D-02-32540	Hose	2	3001-
23		11Y-09-11140	Clip	4	3001-

Reference: B0000-002002

Page: B001002



JM001252

Reference: B0000-002003

Page: B001003

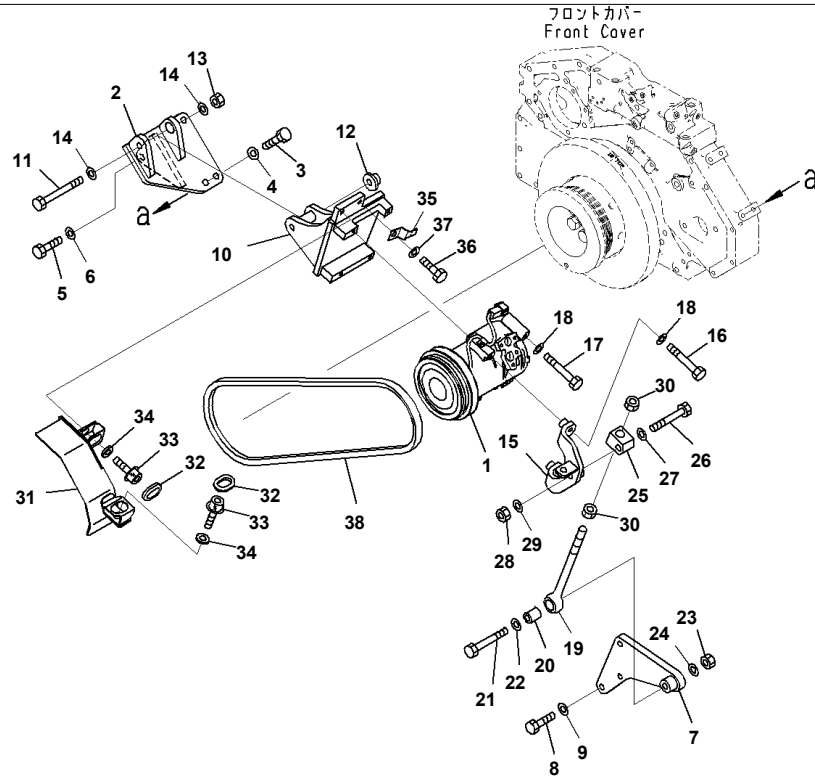
HM300-3 S/N 3001-UP
Engine Related Parts, Heater Related Parts (#3001-)

Index	Code	Part Number	Description	Qty	Serial No.
1		202-98-11340	Joint	2	3001-
2		565-44-15380	Elbow	2	3001-

Reference: B0000-002003

Page: B001003

HM300-3 S/N 3001-UP
JM001258



JM001258

Reference:B0000-002004

Page:B001004

HM300-3 S/N 3001-UP
Engine Related Parts, Air Compressor (#3001-)

Index	Code	Part Number	Description	Qty	Serial No.
1		20Y-810-1260	Compressor Assembly	1	3001-
2		56D-07-32760	Bracket	1	3001-
3		01010-81030	Bolt	4	3001-
4		01643-31032	Washer	4	3001-
5		01010-81045	Bolt	1	3001-
6		01643-31032	Washer	1	3001-
7		56D-07-32810	Bracket	1	3001-
8		01010-81035	Bolt	3	3001-
9		01643-31032	Washer	3	3001-
10		56D-07-32770	Bracket	1	3001-
11		01019-31220	Bolt	1	3001-
12		566-07-6A580	Collar	1	3001-
13		01580-11210	Nut	1	3001-
14		01643-31232	Washer	2	3001-
15		56D-07-32780	Bracket	1	3001-
16		6132-11-6460	Bolt	2	3001-
17		01010-80875	Bolt	2	3001-
18		01643-30823	Washer	4	3001-
19		6240-81-8610	Rod	1	3001-
20		6215-81-6150	Pin	1	3001-
21		01010-81285	Bolt	1	3001-
22		01643-31232	Washer	1	3001-
23		01580-11210	Nut	1	3001-
24		01643-31232	Washer	1	3001-
25		56D-07-12791	Plate	1	3001-
26		01010-81280	Bolt	1	3001-
27		01643-31232	Washer	1	3001-
28		01580-11210	Nut	1	3001-
29		01643-31232	Washer	1	3001-
30		01580-11613	Nut	2	3001-

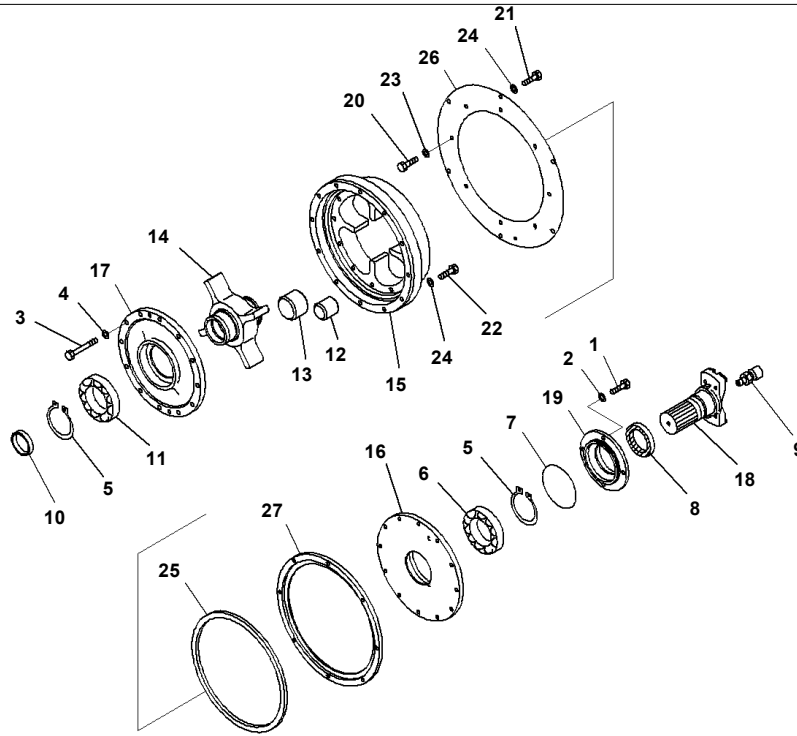
Reference:B0000-002004

Page:B001004

HM300-3 S/N 3001-UP
Engine Related Parts, Air Compressor (#3001-)

Index	Code	Part Number	Description	Qty	Serial No.
31		56D-07-32820	Cover	1	3001-
32		144-06-12150	Grommet	2	3001-
33		01026-A1025	Bolt	2	3001-
34		203-54-56970	Washer	2	3001-
35		08053-01510	Clip	1	3001-
36		01010-81020	Bolt	1	3001-
37		01643-31032	Washer	1	3001-
38		04120-21759	V-belt	1	3001-

HM300-3 S/N 3001-UP
00047887



00047887

Reference: B0000-002005

Page: B001005

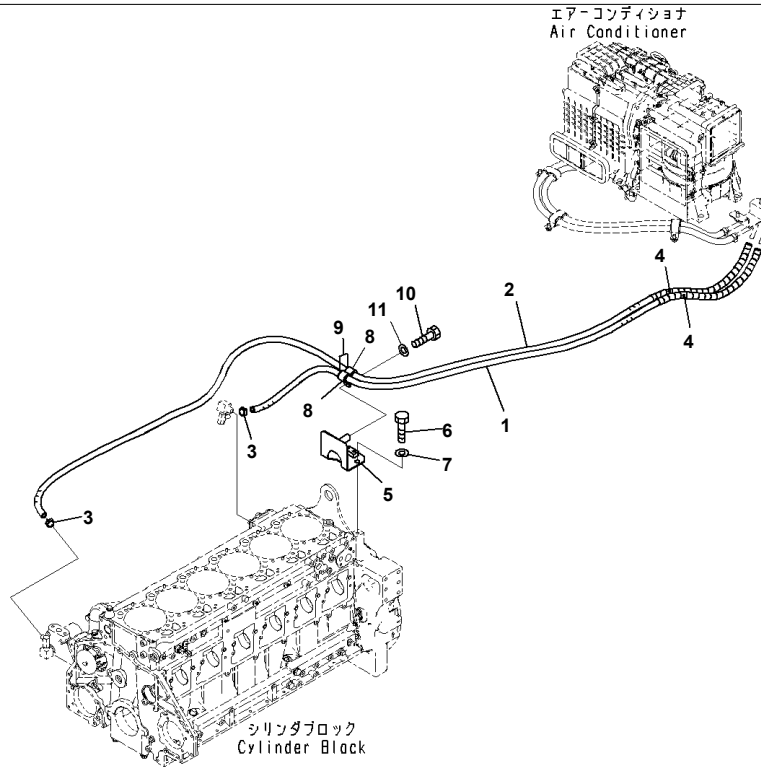
HM300-3 S/N 3001-UP
Engine Related Parts, Damper (#3001-)

Index	Code	Part Number	Description	Qty	Serial No.
1		01010-61030	Bolt	2	3001-
2		01643-31032	Washer	2	3001-
3		01011-61005	Bolt	12	3001-
4		01643-31032	Washer	12	3001-
5		04064-08530	Ring, Snap, for Shaft Side	2	3001-
6		06040-06017	Bearing	1	3001-
7		07000-12125	O-ring	1	3001-
8		07012-00070	Seal, Oil	1	3001-
9		07030-01030	Breather	1	3001-
10		07046-47020	Plug	1	3001-
11		421-12-12220	Bearing	1	3001-
12		56D-01-22410	Rubber	4	3001-
13		56D-01-22420	Rubber	4	3001-
14		56D-01-22730	Body	1	3001-
15		56D-01-22740	Body	1	3001-
16		421-12-12752	Flange	1	3001-
17		421-12-12762	Flange	1	3001-
18		56D-01-22770	Shaft	1	3001-
19		421-12-12790	Cover	1	3001-
20		01010-60816	Bolt	8	3001-
21		01010-61020	Bolt	6	3001-
22		01010-61040	Bolt	12	3001-
23		01643-30823	Washer	8	3001-
24		01643-31032	Washer	18	3001-
25		421-12-12241	Seal	1	3001-
26		421-12-12783	Cover	1	3001-
27		421-12-12230	Plate	1	3001-

Reference: B0000-002005

Page: B001005

HM300-3 S/N 3001-UP
JM001259



JM001259

Reference: B0000-002006

Page: B001006

HM300-3 S/N 3001-UP
Engine Related Parts, Heater Piping (#3001-)

Index	Code	Part Number	Description	Qty	Serial No.
1		09483-10423	Hose	1	3001-
2		09483-10434	Hose	1	3001-
3		11Y-09-11160	Clip	2	3001-
4		08210-01805	Tube, Spiral	2	3001-
5		56D-61-34160	Bracket	1	3001-
6		01010-81230	Bolt	2	3001-
7		01643-31232	Washer	2	3001-
8		04434-52711	Clip	2	3001-
9		07095-20420	Cushion	2	3001-
10		01010-81020	Bolt	1	3001-
11		01643-31032	Washer	1	3001-

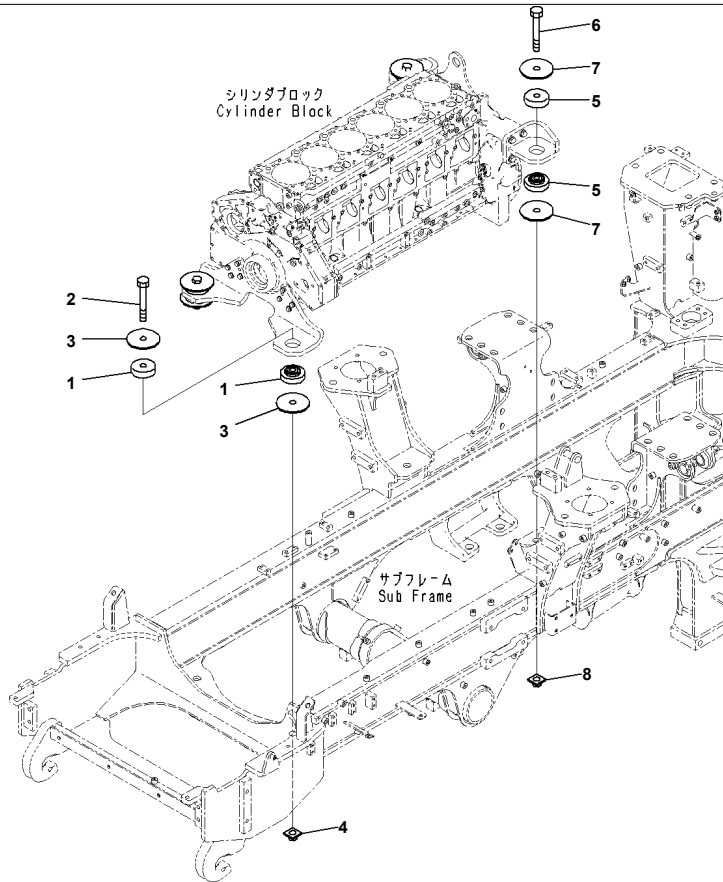
Reference: B0000-002006

Page: B001006

HM300-3 S/N 3001-UP
Engine Mounting

FIG. Name	FIG. No.
Engine Mounting	B0100-001001

HM300-3 S/N 3001-UP
JM001260



JM001260

Reference: B0100-001001

Page: B002001

HM300-3 S/N 3001-UP
Engine Mounting (#3001-)

Index	Code	Part Number	Description	Qty	Serial No.
1		425-01-11350	Cushion	4	3001-
2		01011-62225	Bolt	2	3001-
3		424-01-11220	Washer	4	3001-
4		425-01-11250	Plate	2	3001-
5		425-01-11350	Cushion	4	3001-
6		01011-62225	Bolt	2	3001-
7		424-01-11220	Washer	4	3001-
8		425-01-11250	Plate	2	3001-

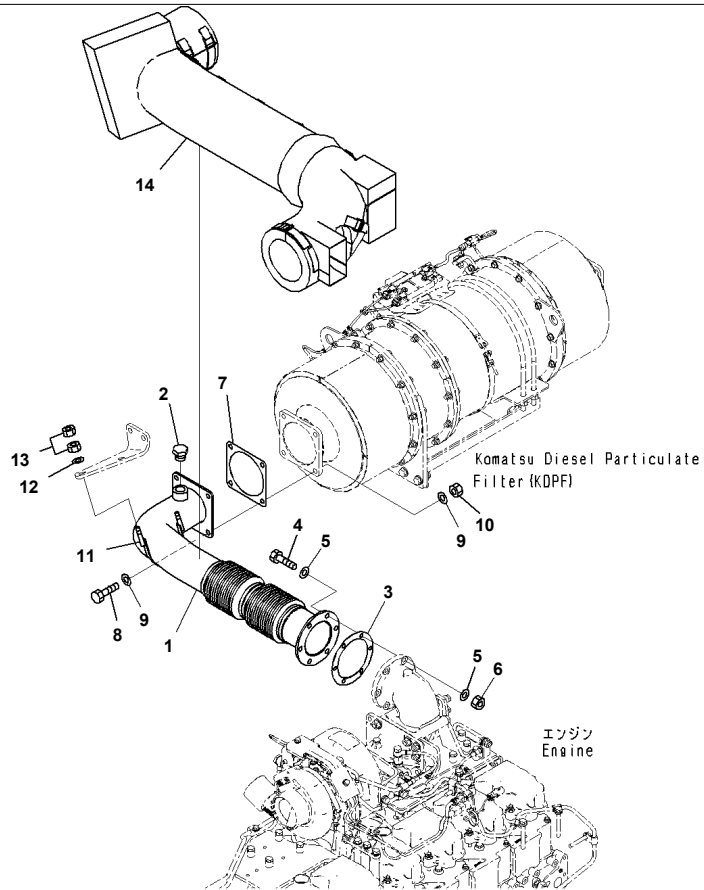
Reference: B0100-001001

Page: B002001

HM300-3 S/N 3001-UP
Exhaust Piping

FIG. Name	FIG. No.
Exhaust Piping	B0130-001001

HM300-3 S/N 3001-UP
JM003532



JM003532

Reference:B0130-001001

Page:B003001

HM300-3 S/N 3001-UP
Exhaust Piping (#3001-)

Index	Code	Part Number	Description	Qty	Serial No.
1		56D-02-31410	Tube	1	3001-
2		6252-11-5910	Plug	1	3001-
3		6212-11-5940	Gasket	1	3001-
4		01010-E1035	Bolt	6	3001-
5		01643-31032	Washer	12	3001-
6		01580-11008	Nut	6	3001-
7		56D-02-31970	Gasket	1	3001-
8		01020-11035	Bolt, Stainless	4	3001-
9		203-54-56970	Washer	8	3001-
10		01581-01008	Nut	4	3001-
11		423-02-51160	Band	1	3042-
	A2	56D-02-11810	Clamp	1	3001-3041
12		203-54-56970	Washer	2	3001-
13		01580-11008	Nut	4	3001-
14		56D-02-31422	Cover	1	3003-
		56D-02-31421	Cover	1	3001-3002

Reference:B0130-001001

Page:B003001

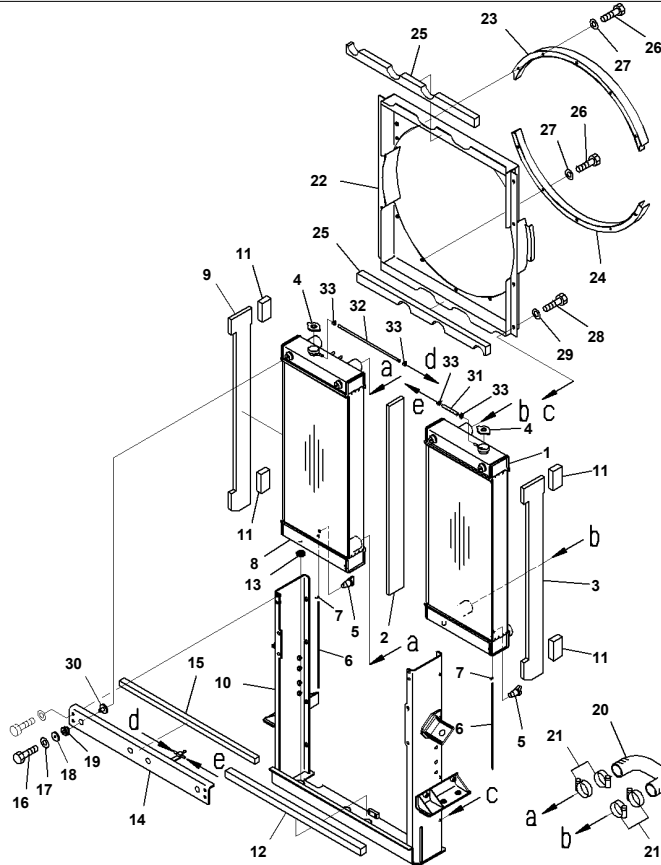
HM300-3 S/N 3001-UP
COOLING SYSTEM

Unit Name	Unit No.
Radiator	X25-1320851
Aftercooler	X25-1320861
Coolant Piping	X25-1320871
Brake Oil Cooler	X25-1320881
Brake Oil Cooler Piping	X25-1320891

HM300-3 S/N 3001-UP
Radiator

FIG. Name	FIG. No.
Radiator, (1/2)	C0110-001001
Radiator, (2/2)	C0110-001002
Radiator, Fan	C0110-001003
Radiator, Fan Motor (1/4)	C0110-001004
Radiator, Fan Motor (2/4)	C0110-001005
Radiator, Fan Motor (3/4)	C0110-001006
Radiator, Fan Motor (4/4)	C0110-001007
Radiator, Fan Motor Mounting	C0110-001008
Radiator, Fan Motor Piping	C0110-001009
Radiator, Radiator Cover	C0110-001010
Radiator, Baffle and Fan Net	C0110-001011
Radiator, Radiator Piping	C0110-001012

HM300-3 S/N 3001-UP
JY017005



JY017005

Reference:C0110-001001

Page:C001001

HM300-3 S/N 3001-UP
Radiator, (1/2) (#3001-)

Index	Code	Part Number	Description	Qty	Serial No.
		56D-03-31100	Radiator Assembly	1	3001-
1		56D-03-31220	• Core	1	3001-
2		56D-03-21330	• Packing	1	3001-
3		56D-03-21321	• Packing	1	3001-
4		104-03-41230	• Cap	2	3001-
5		205-03-62660	• Plug	2	3001-
		07000-11007	• • O-ring	1	3001-
6		415-03-11120	• Hose	2	3001-
7		20Y-03-11330	• Clip	2	3001-
8		56D-03-31230	• Core	1	3001-
9		56D-03-21370	• Packing	1	3001-
10		56D-03-31241	• Bracket	1	3001-
11		56D-03-31A40	• Packing	4	3001-
12		56D-03-21310	• Packing	1	3001-
13		23C-03-51751	• Cushion	4	3001-
14		56D-03-31250	• Bracket	1	3001-
15		56D-03-21280	• Packing	1	3001-
16		01010-81050	• Bolt	4	3001-
17		01643-31032	• Washer	4	3001-
18		207-03-75590	• Plate	4	3001-
19		56D-03-31A50	• Cushion	4	3001-
20		56D-03-21250	• Hose	2	3001-
21		07299-00070	• Clamp	8	3001-
22		56D-03-31440	• Shroud	1	3001-
23		56D-03-31450	• Shroud	1	3001-
24		56D-03-31460	• Shroud	1	3001-
25		56D-03-21291	• Packing	2	3001-
26		01010-80816	• Bolt	10	3001-
27		01643-30823	• Washer	10	3001-
28		01010-81025	• Bolt	8	3001-

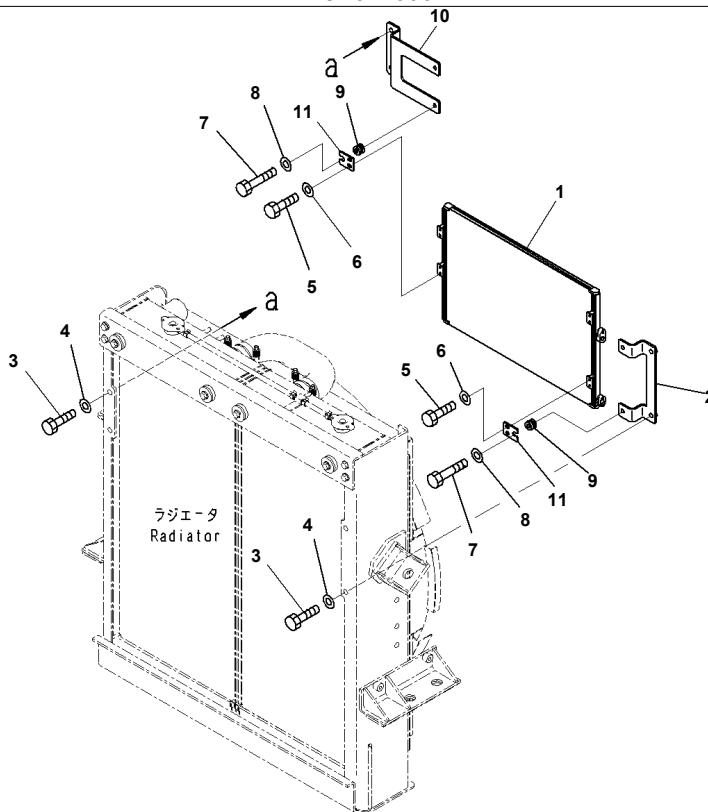
Reference:C0110-001001

Page:C001001

HM300-3 S/N 3001-UP
Radiator, (1/2) (#3001-)

Index	Code	Part Number	Description	Qty	Serial No.
29		01643-31032	• Washer	8	3001-
30		56D-03-31A60	• Collar	4	3001-
31		56D-03-31A10	• Hose	1	3001-
32		56D-03-31A20	• Hose	1	3001-
33		11Y-09-11120	• Clip	4	3001-

HM300-3 S/N 3001-UP
JY017006



JY017006

Reference:C0110-001002

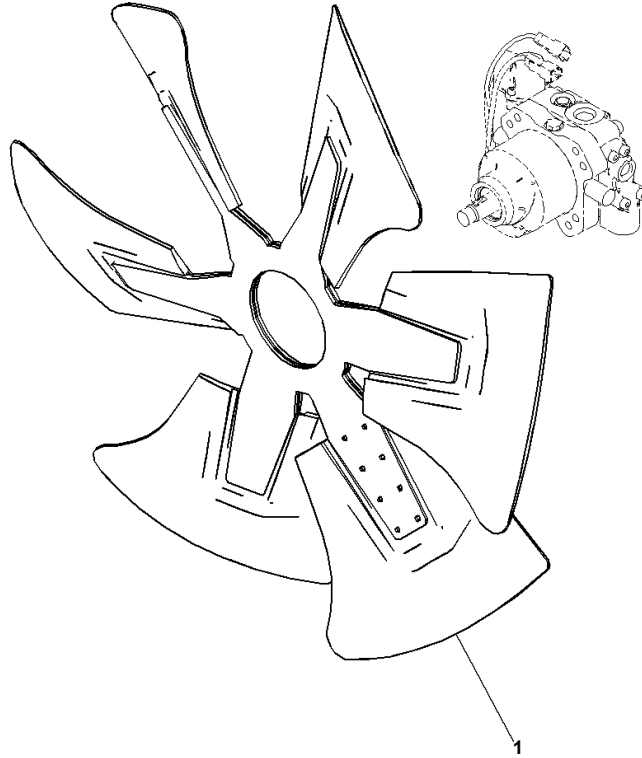
Page:C001002

HM300-3 S/N 3001-UP
Radiator, (2/2) (#3001-)

Index	Code	Part Number	Description	Qty	Serial No.
		56D-03-31100	Radiator Assembly	1	3001-
1		56D-07-31250	· Condenser	1	3001-
2		56D-07-31260	· Bracket	1	3001-
3		01010-81225	· Bolt	4	3001-
4		01643-31232	· Washer	4	3001-
5		01010-80614	· Bolt	8	3001-
6		01643-30623	· Washer	8	3001-
7		01010-80835	· Bolt	4	3001-
8		01643-30823	· Washer	4	3001-
9		20Y-810-1240	· Cushion	4	3001-
10		56D-07-31270	· Bracket	1	3001-
11		56D-03-31280	· Plate	4	3001-

Reference:C0110-001002

Page:C001002



JY017010-V

Reference:C0110-001003

Page:C001003

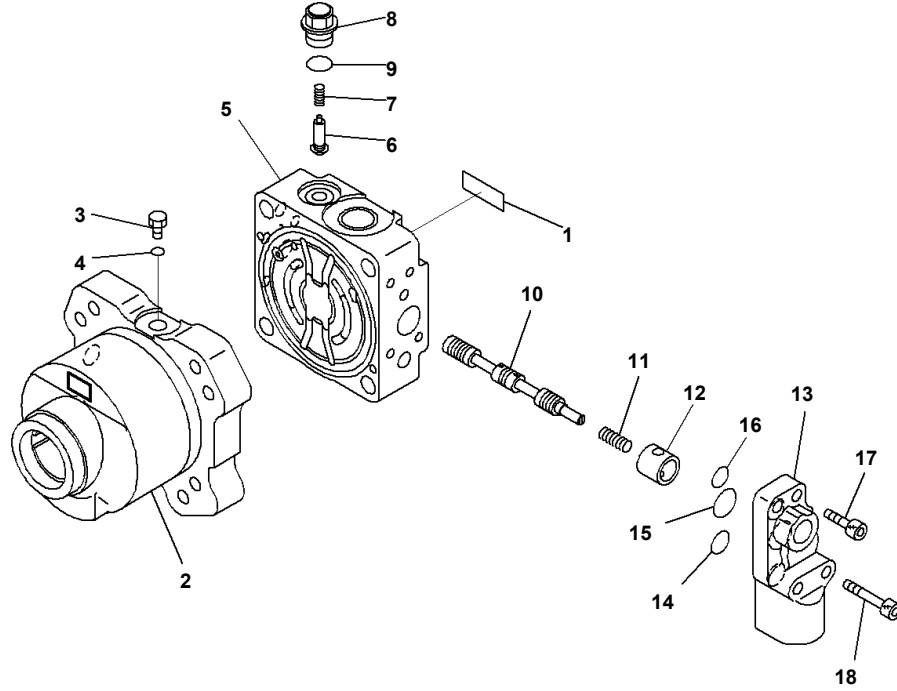
HM300-3 S/N 3001-UP
Radiator, Fan (#3001-)

Index	Code	Part Number	Description	Qty	Serial No.
1		600-645-7870	Fan	1	3001-

Reference:C0110-001003

Page:C001003

HM300-3 S/N 3001-UP
JY017011



JY017011

Reference:C0110-001004

Page:C001004

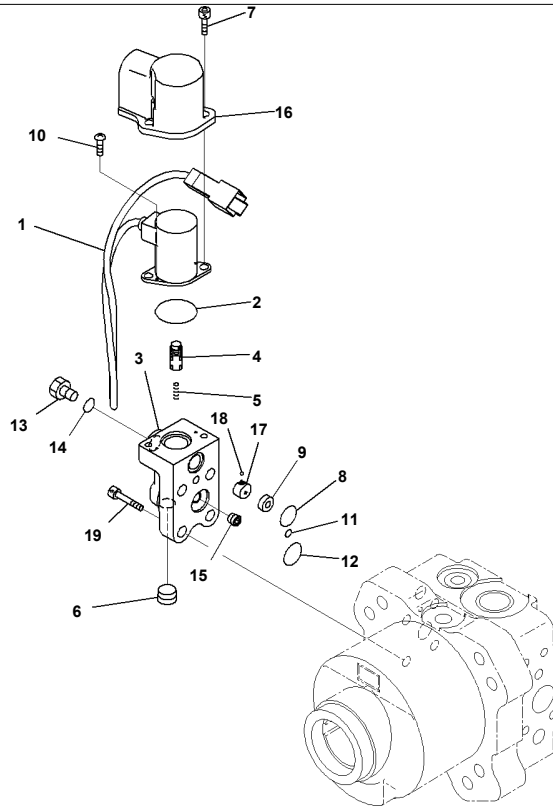
HM300-3 S/N 3001-UP
Radiator, Fan Motor (1/4) (#3001-)

Index	Code	Part Number	Description	Qty	Serial No.
		708-7S-00690	Motor Assembly	1	3001-
1	C1		• Plate	1	3001-
2	C2	(708-7S-11790)	• Case	1	3001-
3		07040-11007	• Plug	1	3001-
4		07002-21023	• O-ring	1	3001-
	C2	(708-7S-01560)	• Cover Subassembly	1	3001-
5	C2	(708-7S-11620)	• • Cover	1	3001-
6	C2	(708-7R-11210)	• • Valve	1	3001-
7		722-10-91130	• • Spring	1	3001-
8		709-32-12861	• • Plug	1	3001-
9		07002-21823	• • O-ring	1	3001-
10	C1		• • Spool	1	3001-
11	C2	(708-7S-18120)	• • Spring	1	3001-
12	C2	(708-7S-18310)	• • Spacer	1	3001-
13	C2	(708-7S-18250)	• • Cover	1	3001-
14	C2	(07000-E2020)	• • O-ring	1	3001-
15	C2	(07000-E2025)	• • O-ring	1	3001-
16	C2	(07000-E2012)	• • O-ring	1	3001-
17	C2	(01252-60825)	• • Bolt, Hexagon Socket Head	2	3001-
18	C2	(01252-60845)	• • Bolt, Hexagon Socket Head	2	3001-

Reference:C0110-001004

Page:C001004

HM300-3 S/N 3001-UP
JY017014



JY017014

Reference:C0110-001005

Page:C001005

HM300-3 S/N 3001-UP
Radiator, Fan Motor (2/4) (#3001-)

Index	Code	Part Number	Description	Qty	Serial No.
		708-7S-00690	Motor Assembly	1	3001-
	C2	(708-7S-01560)	· Cover Subassembly	1	3001-
	C2	(708-7S-01440)	· · Valve Assembly, Pilot	1	3001-
1	C2	(702-21-56241)	· · · Solenoid	1	3001-
2	C2	(702-21-55870)	· · · O-ring	1	3001-
3	C1		· · · Case	1	3001-
4	C1		· · · Spool	1	3001-
5	C2	(702-21-56220)	· · · Spring	1	3001-
6	C2	(708-21-12541)	· · · Plug	1	3001-
7		01252-60616	· · · Bolt, Hexagon Socket Head	2	3001-
8	C2	(708-2L-25490)	· · · O-ring	1	3001-
9	C2	(708-2L-25480)	· · · Filter	1	3001-
10	C2	(702-21-54180)	· · · Screw	2	3001-
11		07000-F1008	· · · O-ring	1	3001-
12	C2	(708-7S-18230)	· · · O-ring	1	3001-
13		07040-11007	· · · Plug	1	3001-
14		07002-21023	· · · O-ring	1	3001-
15		708-2L-29460	· · · Orifice	1	3001-
16	C2	(708-1S-18180)	· · · Cover	1	3001-
17	C1		· · · Valve	1	3001-
18	C1		· · · Ball	1	3001-
19		01252-60825	· · Bolt, Hexagon Socket Head	4	3001-

Reference:C0110-001005

Page:C001005



Download the full PDF manual instantly.

Our customer service e-mail:

aservicemanualpdf@yahoo.com