

HM300-2 s/n A11001 and up
HM300-2 s/n A11001 and up

DESCRIPTION

ENGINE
ENGINE RELATED PARTS
COOLING SYSTEM
FUEL TANK AND RELATED PARTS
ELECTRICAL SYSTEM
POWER TRAIN AND FINAL DRIVE
HYDRAULIC SYSTEM
MAIN/REVOLVING FRAME AND RELATED PARTS
OPERATOR'S COMPARTMENT AND CONTROL SYSTEM
GUARD
SUSPENSION AND WHEEL RELATED PARTS
WORK EQUIPMENT
MARKS AND PLATES
ACCESSORY

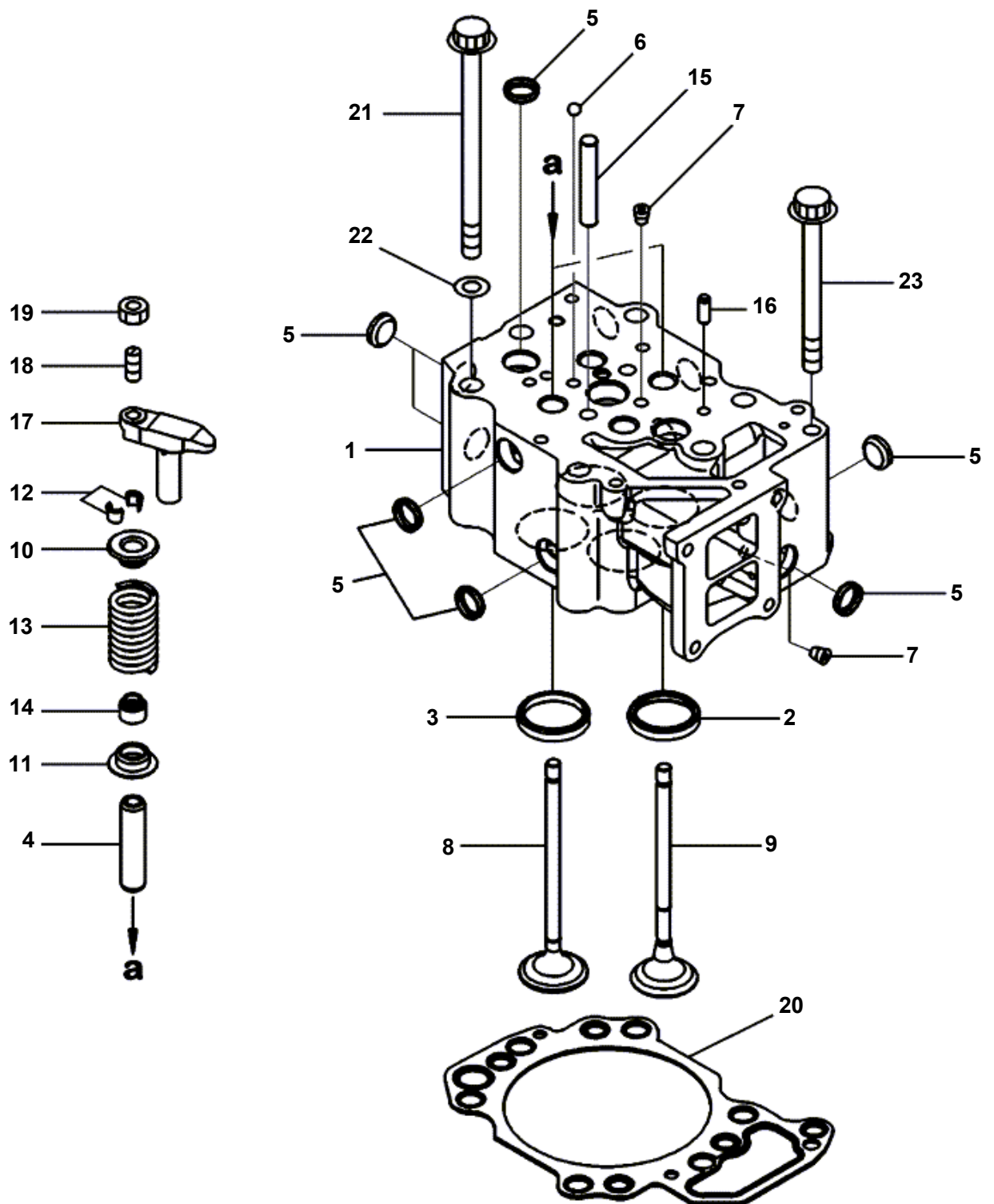
HM300-2 s/n A11001 and up
ENGINE

DESCRIPTION

CYLINDER HEAD
ROCKER LEVER HOUSING
ROCKER ARM HOUSING COVER
ROCKER ARM HOUSING CRANKCASE BREATHER
TURBOCHARGER MOUNTING AND PIPING
TURBOCHARGER
AIR INTAKE MANIFOLD
EXHAUST MANIFOLD AND MOUNTING
EXHAUST GAS RECIRCULATION (EGR) EGR VALVE AND COOLER MOUNTING
EXHAUST GAS RECIRCULATION (EGR) OIL PUMP ASSEMBLY
EXHAUST GAS RECIRCULATION (EGR) EGR BYPASS VALVE MOUNTING
EXHAUST GAS RECIRCULATION (EGR) EGR MAIN VALVE PIPING
EXHAUST GAS RECIRCULATION (EGR) EGR COOLER PIPING AND AIR VENT
EXHAUST GAS RECIRCULATION (EGR) EGR VALVE LUBRICATING OIL PIPING
CYLINDER BLOCK
FRONT GEAR TRAIN COVER
FRONT COVER MOUNTING AND POINTER
ENGINE OIL PAN AND OIL LEVEL GAUGE
FLYWHEEL
CRANKSHAFT
VIBRATION DAMPER
CRANKSHAFT PULLEY
PISTON AND CONNECTING ROD
CAMSHAFT
CYLINDER BLOCK OIL PRESSURE SWITCH AND COVERS
CAM FOLLOWER COVER AND OIL FILLER
ENGINE OIL PUMP
ENGINE OIL FILTER AND PIPING
ENGINE OIL COOLER
OIL COOLER MOUNTING
FUEL INJECTION CONNECTOR COVERS
FUEL INJECTION PIPING
FUEL FILTER AND PIPING 1-5/8 THREAD
FUEL FILTER AND PIPING 1-3/8 THREAD
FUEL PRIMING PUMP AND PIPING
FUEL INJECTOR
FUEL PUMP AND COMMON RAIL
FUEL PUMP DRIVE
COMMON RAIL ASSEMBLY
ENGINE CONTROL MODULE
FUEL RETURN PIPING
FUEL PUMP AND COMMON RAIL RETURN PIPING
WATER PUMP
THERMOSTAT AND HOUSING
CORROSION RESISTOR CAPS (FOR MACHINES BUILT WITHOUT CORROSION RESISTORS)
CORROSION RESISTOR
COOLING FAN MOUNTING
COOLING FAN AND PULLEY
OIL COOLER DRAIN VALVE
ALTERNATOR MOUNTING
STARTING MOTOR MOUNTING
ALTERNATOR 75 A
ALTERNATOR 50 A
STARTING MOTOR 7.5 KW
HEAT SHIELD
COOLANT TEMPERATURE SENSOR
ENGINE WIRING HARNESS (1/2)
ENGINE WIRING HARNESS (2/2)
FRONT GEAR TRAIN ACCESSORY DRIVE
FLYWHEEL HOUSING
ENGINE LIFTING BRACKET
ENGINE ASSEMBLY
CAUTION AND DATA PLATE

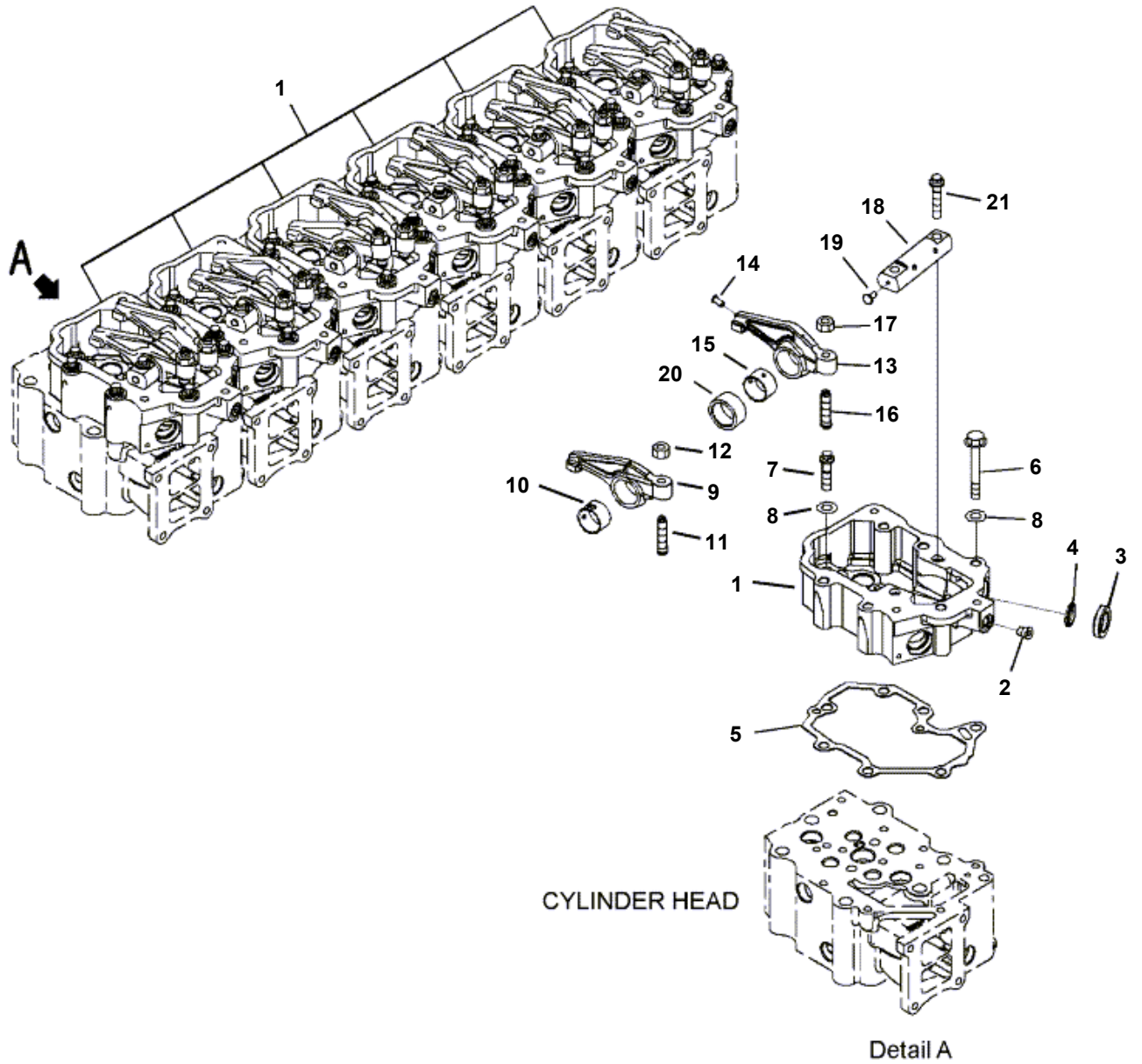
FIG A1103-B7A1

A1103-B7A1 CYLINDER HEAD



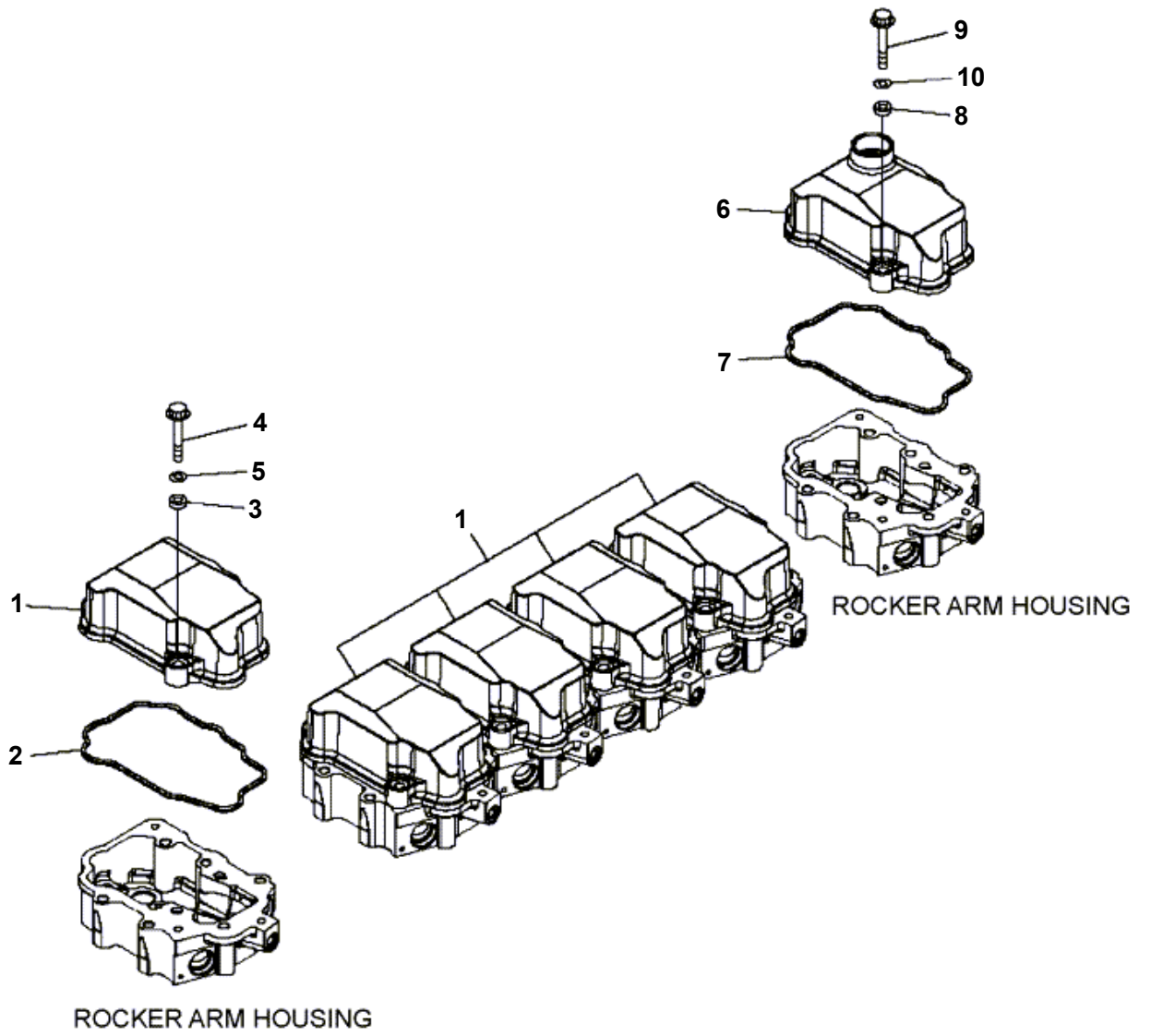
**HM300-2 s/n A11001 and up
A1103-B7A1 CYLINDER HEAD**

ITEM NO.	PART NO.	DESCRIPTION	Q'TY
	6251-11-1100	CYLINDER HEAD ASSEMBLY	6
1	(NSS)	· HEAD, CYLINDER	1
2	6150-11-1320	· INSERT, EXHAUST VALVE (STD)	2
N/I	6150-19-1320	· INSERT, 0.25 MM, EXHAUST VALVE (OS)	2
	6150-18-1320	· INSERT, 0.50 MM, EXHAUST VALVE (OS)	2
	6150-17-1320	· INSERT, 0.75 MM, EXHAUST VALVE (OS)	2
	6150-16-1320	· INSERT, 1.00 MM, EXHAUST VALVE (OS)	2
3	6251-11-1380	· SEAT, INTAKE VALVE (STD)	2
N/I	6251-19-1380	· INSERT, 0.25 MM, INTAKE VALVE (OS)	2
	6251-18-1380	· INSERT, 0.50 MM, INTAKE VALVE (OS)	2
	6251-17-1380	· INSERT, 0.75 MM, INTAKE VALVE (OS)	2
	6251-16-1380	· INSERT, 1.00 MM, INTAKE VALVE (OS)	2
4	6150-12-1370	· GUIDE, VALVE (SERVICE ONLY)	4
5	6162-13-1150	· PLUG, EXPANSION	11
6	04260-00793	· BALL	1
7	07043-70108	· PLUG	3
8	6150-42-4110	VALVE, INTAKE	12
9	6150-42-4210	VALVE, EXHAUST	12
10	6150-41-4510	SEAT, UPPER	24
11	6150-41-4430	SEAT, LOWER	24
12	6136-42-4520	COTTER, VALVE	48
13	6251-41-4450	SPRING, VALVE	24
14	6150-41-4570	SEAL, VALVE STEM	24
15	6210-11-1140	GUIDE, CROSSHEAD	12
16	04020-00820	PIN	12
	6150-42-5600	CROSSHEAD ASSEMBLY	12
17	6150-42-5610	· CROSSHEAD	1
18	6150-41-5621	· SCREW	1
19	6150-41-5630	· NUT	1
20	6251-11-1810	GASKET, CYLINDER HEAD, STANDARD	6
N/I	6150-11-1970	· GROMMET, OIL	1
	6150-11-1930	· GROMMET, OIL	1
	6150-11-1950	· GROMMET, WATER	4
	6150-12-1960	· GROMMET, WATER	1
	6150-11-1960	· GROMMET, OIL	5
20	6251-19-1810	GASKET, CYLINDER HEAD, OVERSIZE 0.40 MM	6
N/I	6150-19-1970	· GROMMET, OIL	1
	6150-19-1930	· GROMMET, OIL	1
	6150-19-1950	· GROMMET, WATER	4
	6150-19-1960	· GROMMET, WATER	1
	6251-19-1960	· GROMMET, WATER	1
21	6150-11-1620	BOLT	36
22	6164-31-3330	WASHER	36
23	01438-01020	BOLT	6



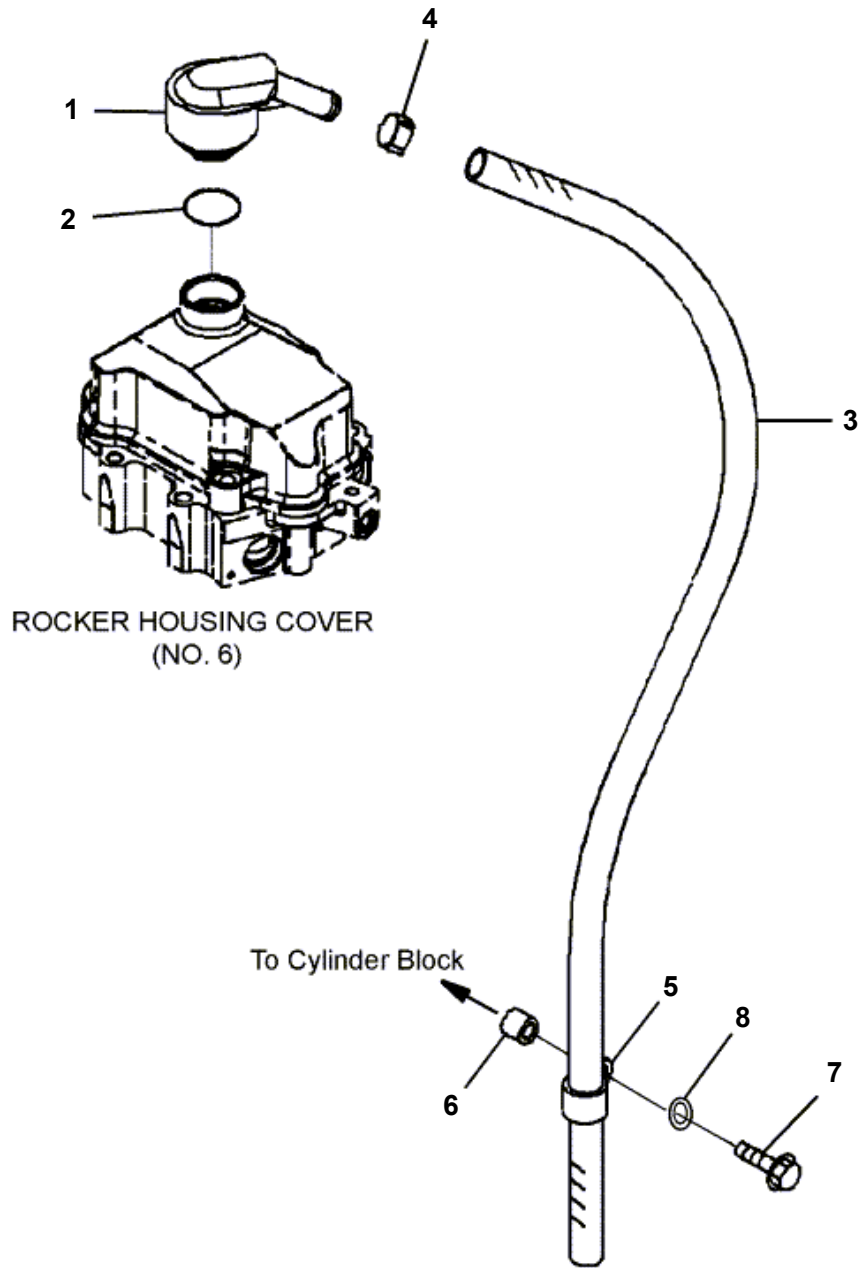
HM300-2 s/n A11001 and up
A1106-B7A2 ROCKER LEVER HOUSING

ITEM NO.	PART NO.	DESCRIPTION	Q'TY
	6251-11-7300	HOUSING ASSEMBLY	6
1	6251-11-7100 (NSS)	· HOUSING ASSEMBLY · · HOUSING, ROCKER ARM	1 1
2	07043-00108	· · PLUG, TAPER	1
3	6251-11-8830	· SEAL	1
4	6251-11-8840	· RING	1
5	6251-11-7220	GASKET	6
6	01437-01075	BOLT	36
7	6251-71-1170	BOLT	6
8	01643-31032	WASHER	42
9	6150-41-5400 (NSS)	ARM ASSEMBLY, INTAKE · ARM, ROCKER	6 1
10	6150-41-5420	· BUSHING	1
11	6150-41-5541	SCREW	6
12	01582-01008	NUT	6
13	6154-41-5500 (NSS)	ARM ASSEMBLY, EXHAUST · ARM, ROCKER	6 1
14	6162-43-5340	· RIVET	1
15	6150-41-5420	· BUSHING	1
16	6150-41-5541	SCREW	6
17	01582-01008	NUT	6
18	6150-42-5300 (NSS)	SHAFT ASSEMBLY, ROCKER ARM · SHAFT	6 1
19	1238 820 H1	· RIVET	1
20	6154-41-5321	COLLAR	6
21	6150-81-9370	BOLT	12



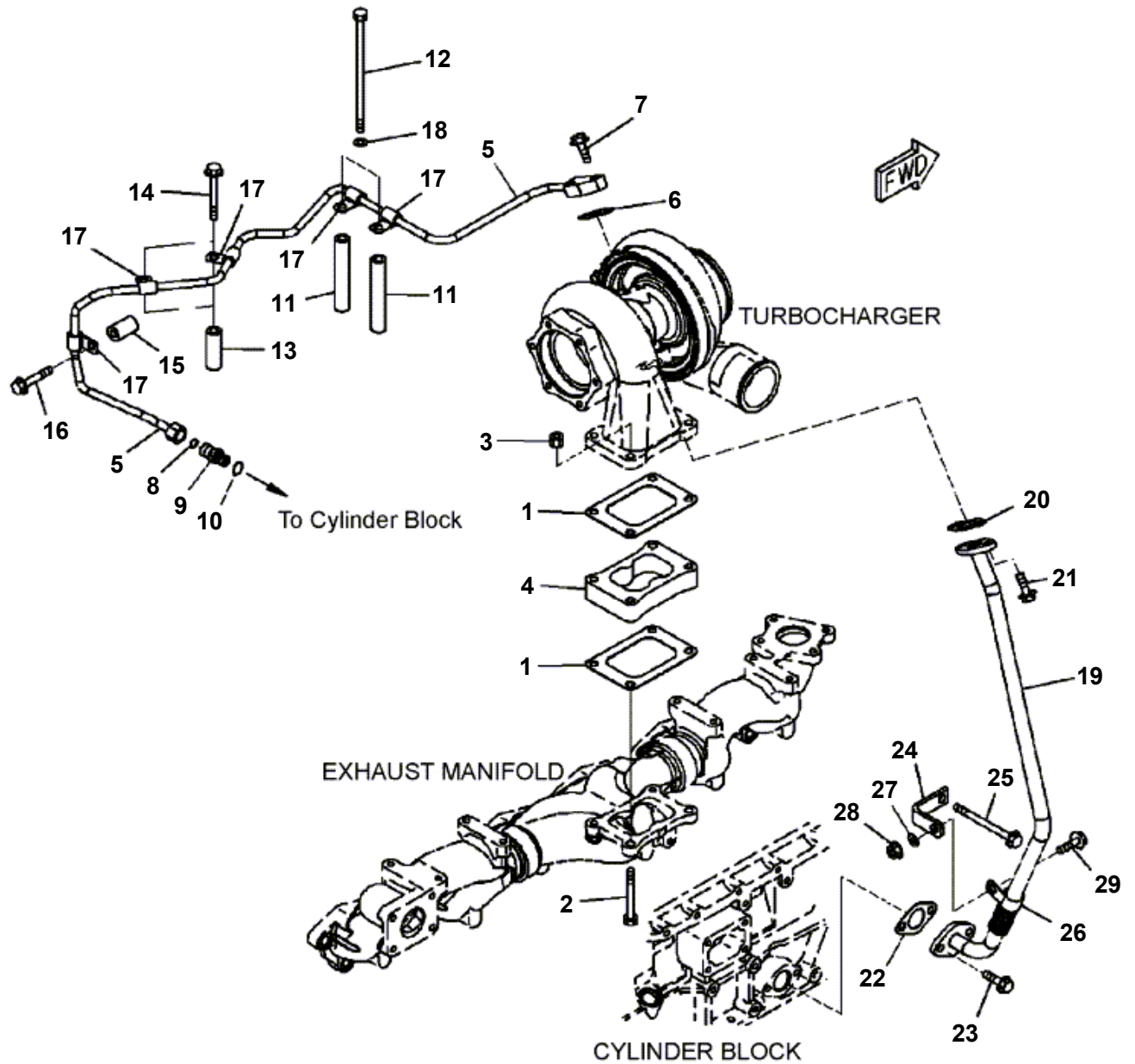
HM300-2 s/n A11001 and up
A1112-B7A2 ROCKER ARM HOUSING COVER

ITEM NO.	PART NO.	DESCRIPTION	Q'TY
	6251-11-8100	COVER ASSEMBLY	5
1	6251-11-8110	· COVER, NO.1, 2, 3, 4, 5	1
2	6251-11-8810	· GASKET	1
3	6150-11-8820	SEAL, WASHER	10
4	6150-81-9370	BOLT	10
5	01640-21016	WASHER	10
	6251-11-8200	COVER ASSEMBLY	1
6	6251-11-8150	· COVER, NO. 6	1
7	6251-11-8810	· GASKET	1
8	6150-11-8820	SEAL, WASHER	2
9	6150-81-9370	BOLT	2
10	01640-21016	WASHER	2



HM300-2 s/n A11001 and up
A1115-B7A1 ROCKER ARM HOUSING CRANKCASE BREATHER

ITEM NO.	PART NO.	DESCRIPTION	Q'TY
1	6150-21-6710	BREATHER	1
2	6114-21-5190	O-RING	1
3	07287-01915	HOSE	1
4	07285-00220	CLIP	1
5	600-051-2240	CLIP	1
6	6631-11-5630	SPACER	1
7	01435-01035	BOLT	1
8	01643-31032	WASHER	1

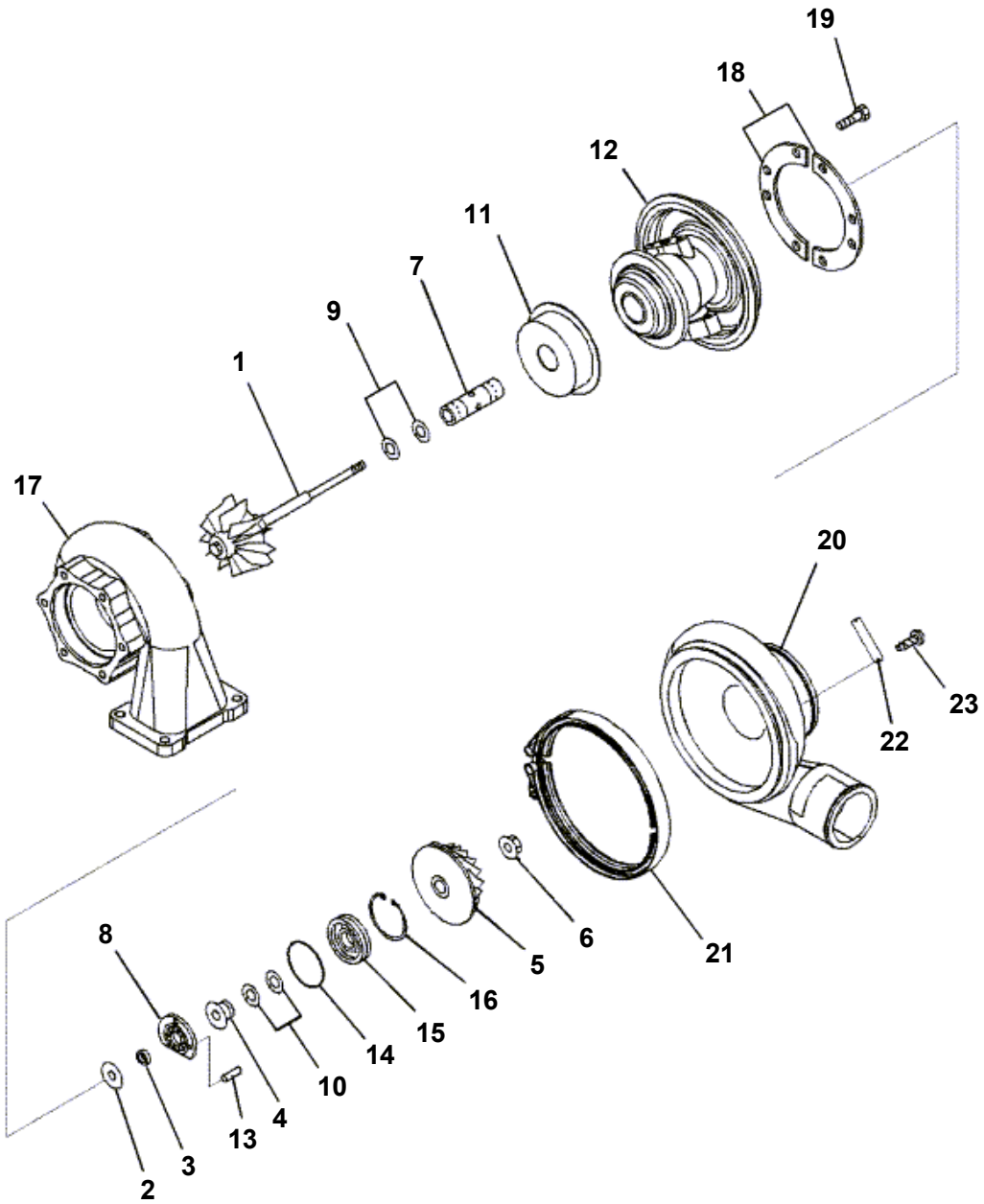


HM300-2 s/n A11001 and up
A1120-B7A4 TURBOCHARGER MOUNTING AND PIPING

ITEM NO.	PART NO.	DESCRIPTION	Q'TY
1	6251-11-5830	GASKET	2
2	6156-11-5160	BOLT	2
3	6114-11-5590	NUT	4
4	6251-11-5180	PLATE	1
5	6251-51-8230	TUBE, SUPPLY	1
6	6221-51-8160	GASKET	1
7	01435-00830	BOLT	2
8	6251-51-9880	O-RING	1
9	6251-51-9850	UNION	1
10	6251-51-9920	O-RING	1
11	6151-51-5490	SPACER	2
12	01011-81095	BOLT	2
13	6204-81-9560	SPACER	2
14	01435-01085	BOLT	2
15	6150-81-6920	SPACER	1
16	01435-01065	BOLT	1
17	600-051-6100	CLIP	5
18	01643-31032	WASHER	5
19	6251-51-8330	TUBE, RETURN	1
20	6151-51-8151	GASKET	1
21	01435-01025	BOLT	2
22	6154-51-8310	GASKET	1
23	01435-01025	BOLT	2
24	6251-21-5480	BRACKET	1
25	01435-01095	BOLT	1
26	600-051-6190	CLIP	1
27	01643-31032	WASHER	1
28	01584-01008	NUT	1
29	01435-01025	BOLT	1

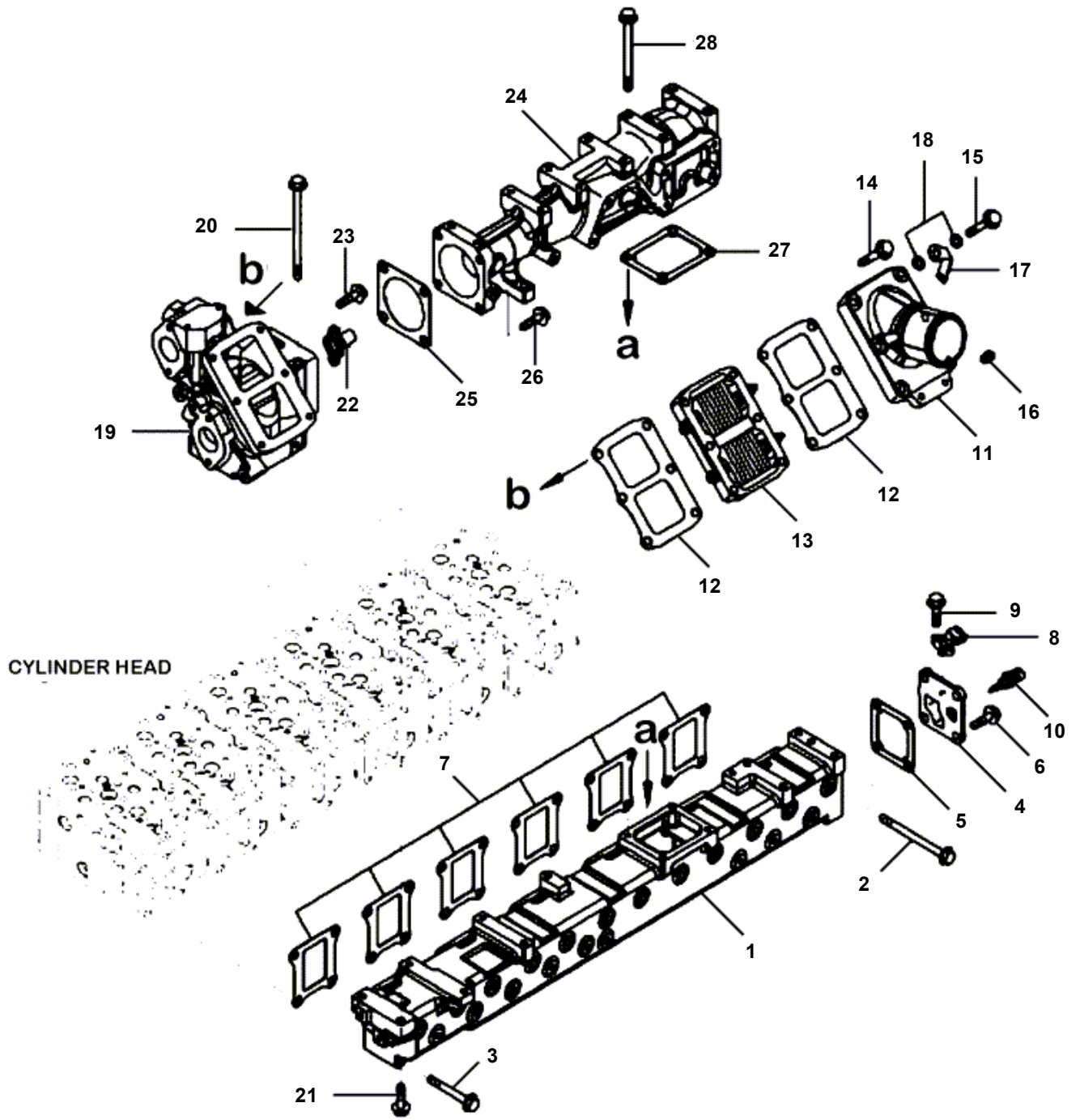
FIG A1203-B7A2

A1203-B7A2 TURBOCHARGER



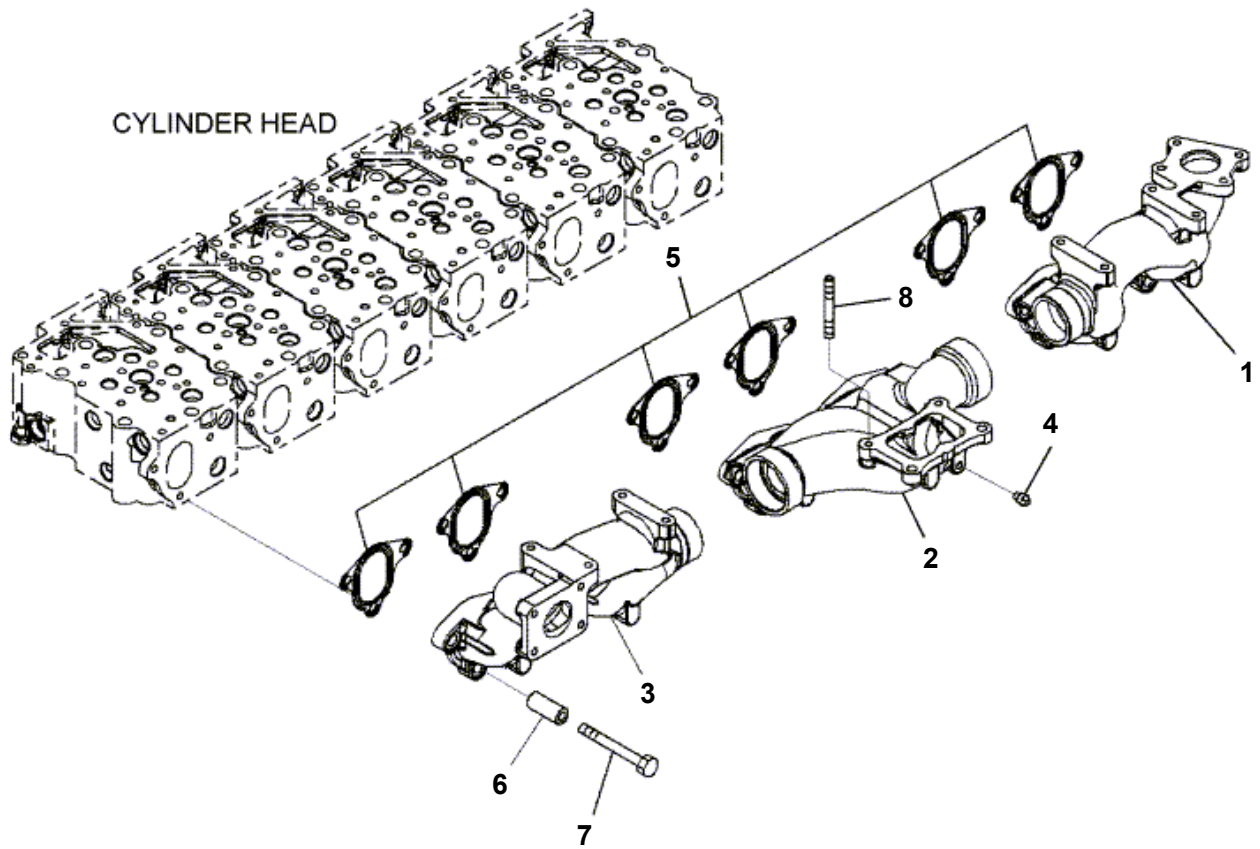
HM300-2 s/n A11001 and up
A1203-B7A2 TURBOCHARGER

ITEM NO.	PART NO.	DESCRIPTION	Q'TY
	6506-21-5030	TURBOCHARGER	1
	6506-21-5910	· CORE ASSEMBLY	1
1	(NSS)	· · ROTOR, TURBINE	1
2	(NSS)	· · PLATE, COLLAR	1
3	(NSS)	· · SPACER, COLLAR	1
4	(NSS)	· · FLINGER	1
5	(NSS)	· · IMPELLER, BLOWER	1
6	(NSS)	· · NUT	1
7	(NSS)	· · BEARING, JOURNAL	1
8	(NSS)	· · BEARING, THRUST	1
9	(NSS)	· · RING, SEAL TURBINE	2
10	(NSS)	· · RING, SEAL BLOWER	2
11	(NSS)	· · SHIELD, HEAT	1
12	(NSS)	· · HOUSING, CENTER	1
13	(NSS)	· · PIN, DOWEL	1
14	(NSS)	· · O-RING	1
15	(NSS)	· · INSERT	1
16	(NSS)	· · RING, SNAP	1
17	6506-21-4330	· HOUSING, TURBINE	1
18	6505-11-0520	· PLATE	2
19	01020-01016	· BOLT	8
20	6506-21-2030	· HOUSING, BLOWER	1
21	6501-11-1721	· V-BAND	1
22	(NSS)	· PLATE, NAME	1
23	04418-02550	· SCREW	2



HM300-2 s/n A11001 and up
A1206-B7A2 AIR INTAKE MANIFOLD

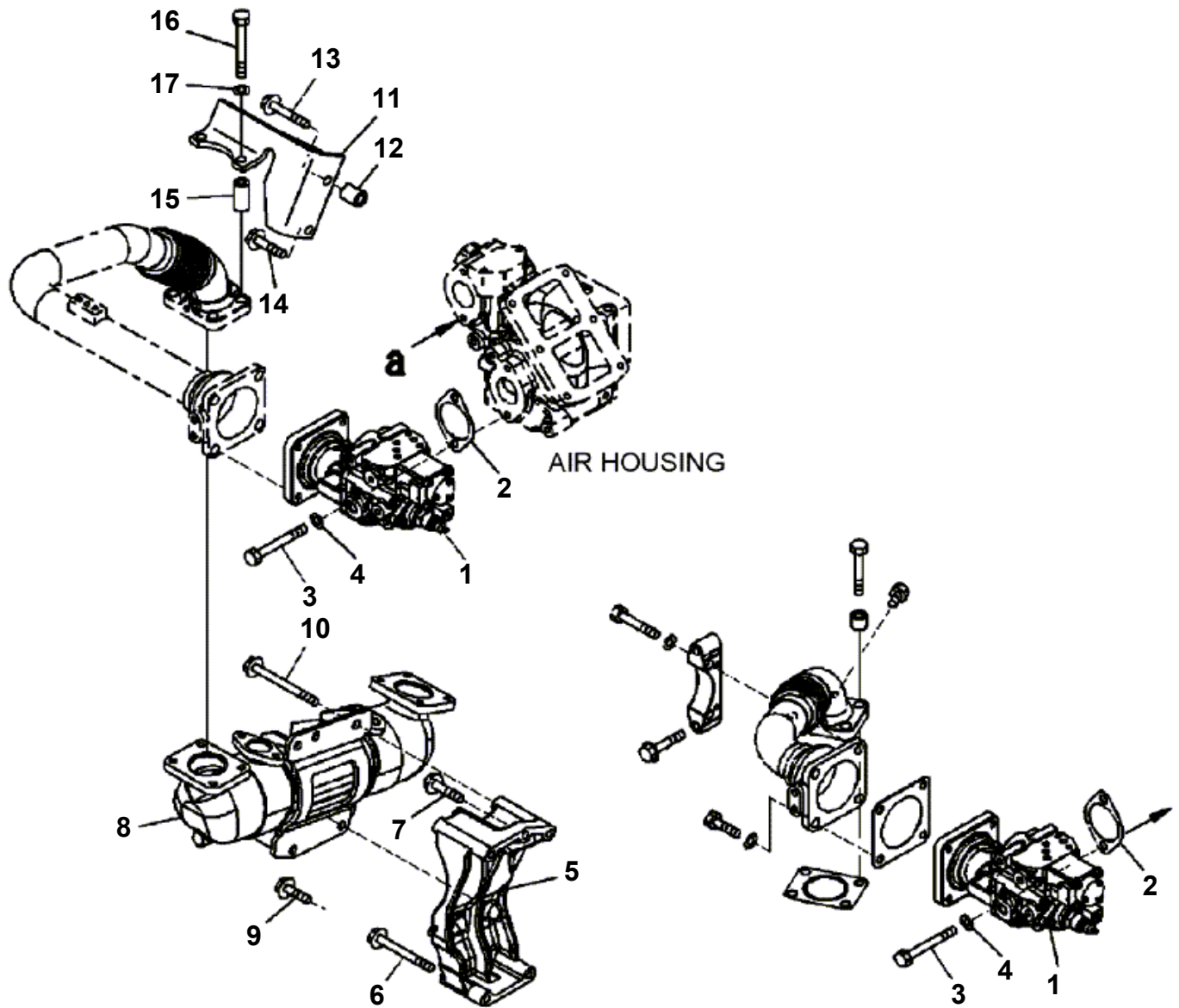
ITEM NO.	PART NO.	DESCRIPTION	Q'TY
1	6251-11-4110	MANIFOLD, INTAKE	1
2	01436-01030	BOLT	12
3	01435-01080	BOLT	12
4	6251-11-4250	COVER	1
5	6251-11-4260	GASKET	1
6	01435-01025	BOLT	4
7	6150-13-4810	GASKET	6
8	6261-81-2700	SENSOR ASSEMBLY	1
	(NSS)	· SENSOR	1
	6261-81-2720	· O-RING	1
9	01435-00616	BOLT	2
10	6560-61-7300	SENSOR, TEMPERATURE	1
	(NSS)	· SENSOR	1
	6735-21-1930	· O-RING	1
11	6251-11-4310	CONNECTOR	1
12	6251-11-4830	GASKET	2
13	600-815-3812	HEATER	1
14	01435-01070	BOLT	4
15	01435-01080	BOLT	1
16	07042-A0108	PLUG	2
17	6251-81-4520	PLATE	1
18	01643-31032	WASHER	1
19	6251-11-7210	HOUSING	1
20	01436-01060	BOLT	2
21	01435-01040	BOLT	2
22	6251-11-9720	NOZZLE	1
23	01437-10816	BOLT	2
24	6251-11-7410	CONNECTOR	1
25	6251-11-7450	GASKET	1
26	01435-01035	BOLT	4
27	6251-11-4820	GASKET	1
28	01436-01045	BOLT	2



HM300-2 s/n A11001 and up
A1209-B7A2 EXHAUST MANIFOLD AND MOUNTING

ITEM NO.	PART NO.	DESCRIPTION	Q'TY
1	6251-11-5110	MANIFOLD, FRONT	1
2	6251-11-5120	MANIFOLD, CENTER	1
3	6251-11-5130	MANIFOLD, REAR	1
4	6215-11-5920	PLUG	1
5	6152-15-5830	GASKET	6
6	6134-11-5120	SPACER	18
7	01010-E1080	BOLT	18
8	6156-11-5170	STUD	2

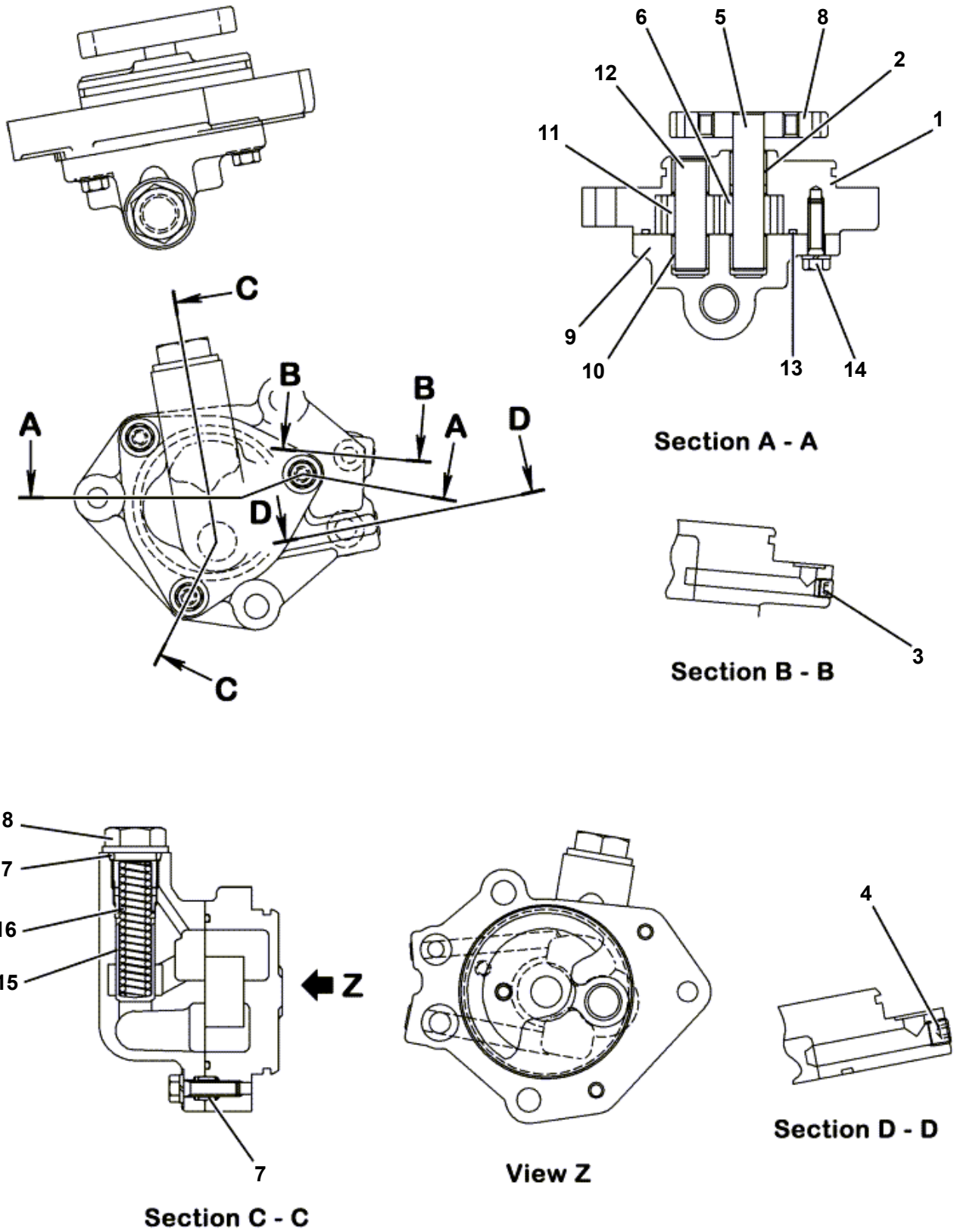
FIG A1216-B7A4 A1216-B7A4 EXHAUST GAS RECIRCULATION (EGR) EGR VALVE AND COOLER MOUNTING



HM300-2 s/n A11001 and up
**A1216-B7A4 EXHAUST GAS RECIRCULATION (EGR) EGR VALVE AND COOLER
MOUNTING**

ITEM NO.	PART NO.	DESCRIPTION	Q'TY
1	6261-41-4900	VALVE ASSEMBLY	2
2	6166-61-6341	GASKET	2
3	01011-E1005	BOLT	4
4	01643-31032	WASHER	4
5	6251-21-6610	BRACKET	1
6	01435-01090	BOLT	1
7	01435-01035	BOLT	1
8	6251-61-7100	COOLER ASSEMBLY	1
9	01435-01020	BOLT	1
10	01436-01020	BOLT	2
11	6251-61-7150	BRACKET	1
12	6128-21-6730	SPACER	1
13	01435-01050	BOLT	1
14	01435-01025	BOLT	1
15	6933-21-6330	SPACER	2
16	01010-E1085	BOLT	2
17	01643-31032	WASHER	2

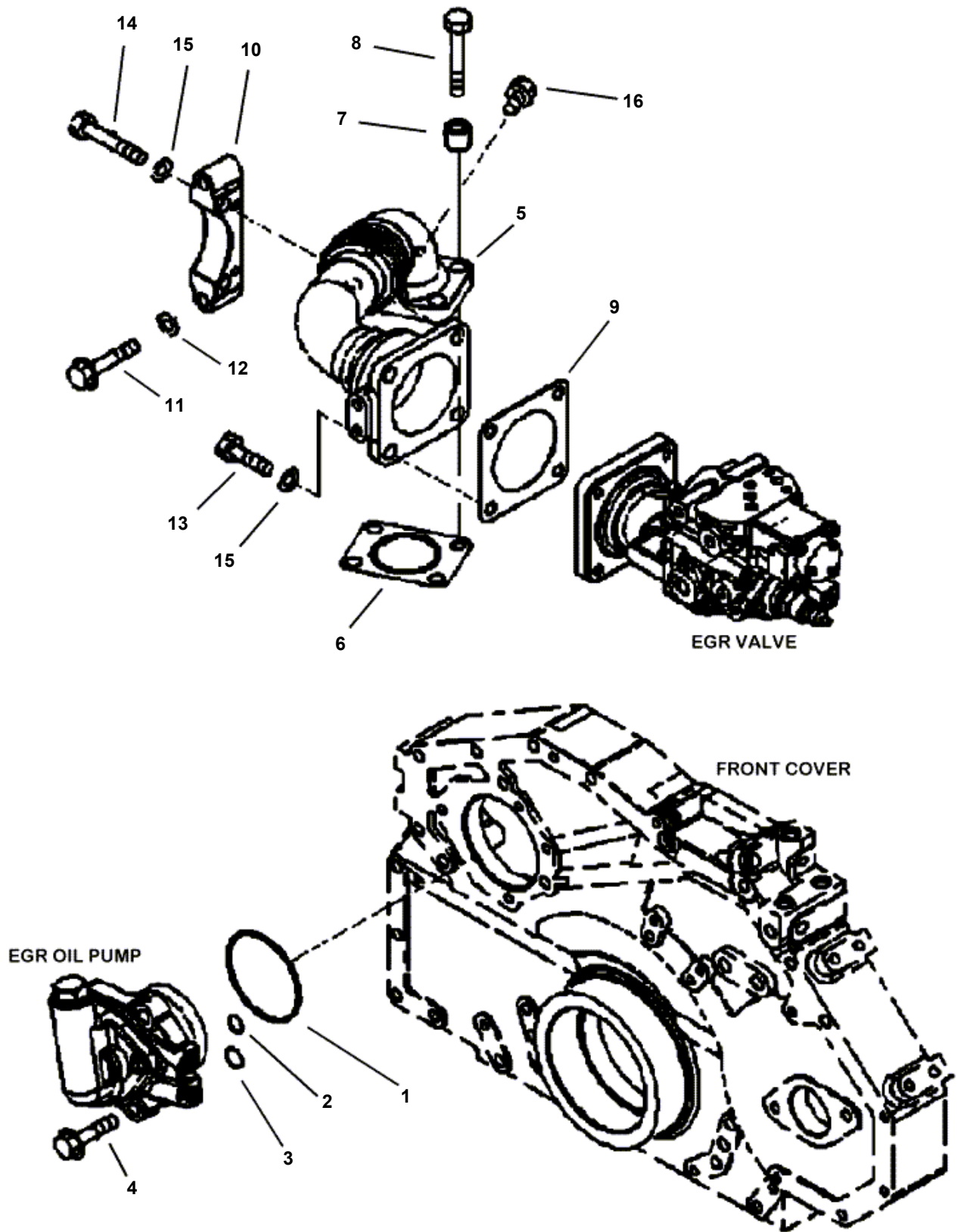
FIG A1216-B7A5 A1216-B7A5 EXHAUST GAS RECIRCULATION (EGR) OIL PUMP ASSEMBLY



A1216-B7A5 EXHAUST GAS RECIRCULATION (EGR) OIL PUMP ASSEMBLY

ITEM NO.	PART NO.	DESCRIPTION	Q'TY
	6251-51-9100	OIL PUMP ASSEMBLY	1
	PML160-12400	· CASE ASSEMBLY, GEAR	1
	(NSS)	· · CASE ASSEMBLY	1
1	(NSS)	· · · CASE	1
2	(NSS)	· · · BUSHING	2
3	(NSS)	· · · PLUG	1
4	(NSS)	· · · PLUG	1
	(NSS)	· · GEAR ASSEMBLY, DRIVE	1
5	(NSS)	· · · SHAFT, DRIVE	1
6	(NSS)	· · · GEAR, DRIVE	1
7	(NSS)	· · PIN, DOWEL	2
8	(NSS)	· · GEAR, HEAD	1
	PML152-07801	· COVER ASSEMBLY	1
9	(NSS)	· · COVER	1
10	(NSS)	· · BUSHING	2
	6261-51-9200	· GEAR ASSEMBLY, DRIVEN	1
11	(NSS)	· · GEAR, DRIVEN	1
12	(NSS)	· · SHAFT, DRIVEN	1
13	6261-51-9230	· O-RING	1
14	PML199-00210	· BOLT	3
15	6261-51-2140	· VALVE	1
16	PML137-05901	· SPRING	1
17	07002-22434	· O-RING	1
18	PML139-01700	· PLUG	1

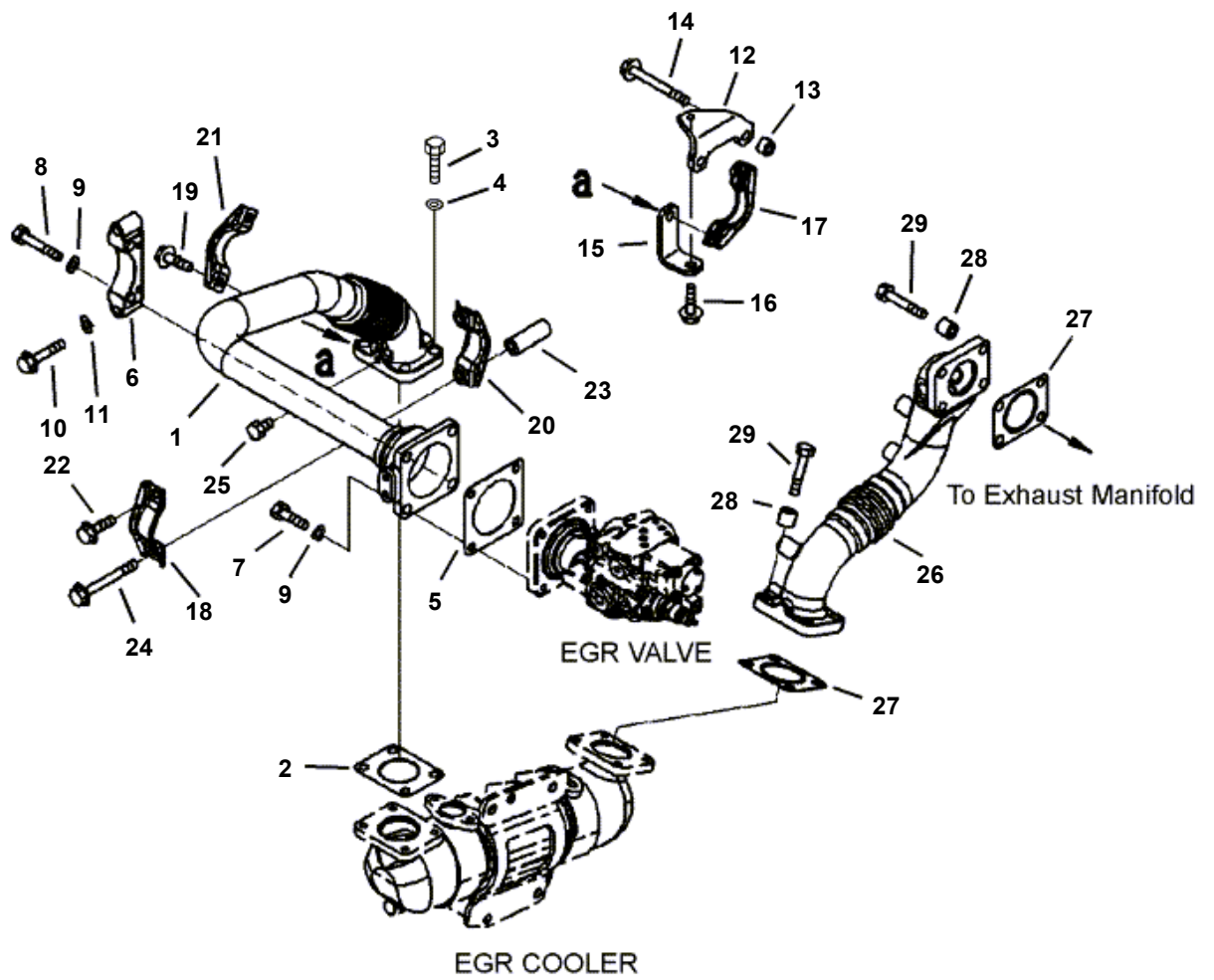
FIG A1216-B7A7 A1216-B7A7 EXHAUST GAS RECIRCULATION (EGR) EGR BYPASS VALVE MOUNTING



HM300-2 s/n A11001 and up
**A1216-B7A7 EXHAUST GAS RECIRCULATION (EGR) EGR BYPASS VALVE
MOUNTING**

ITEM NO.	PART NO.	DESCRIPTION	Q'TY
1	07000-72085	O-RING	1
2	07000-72012	O-RING	1
3	07000-72015	O-RING	1
4	01435-01035	BOLT	3
5	6251-11-9410	TUBE	1
6	6261-11-9520	GASKET	1
7	6631-11-5630	SPACER	4
8	6251-11-9350	BOLT	4
9	6261-11-9520	GASKET	1
10	6251-11-9150	PLATE	1
11	01010-81050	BOLT	2
12	01643-31032	WASHER	2
13	01010-E1030	BOLT	2
14	01010-E1060	BOLT	2
15	01643-31032	WASHER	4
16	6215-11-5920	PLUG	1

FIG A1216-B7A8 A1216-B7A8 EXHAUST GAS RECIRCULATION (EGR) EGR MAIN VALVE PIPING





Download the full PDF manual instantly.

Our customer service e-mail:

aservicemanualpdf@yahoo.com