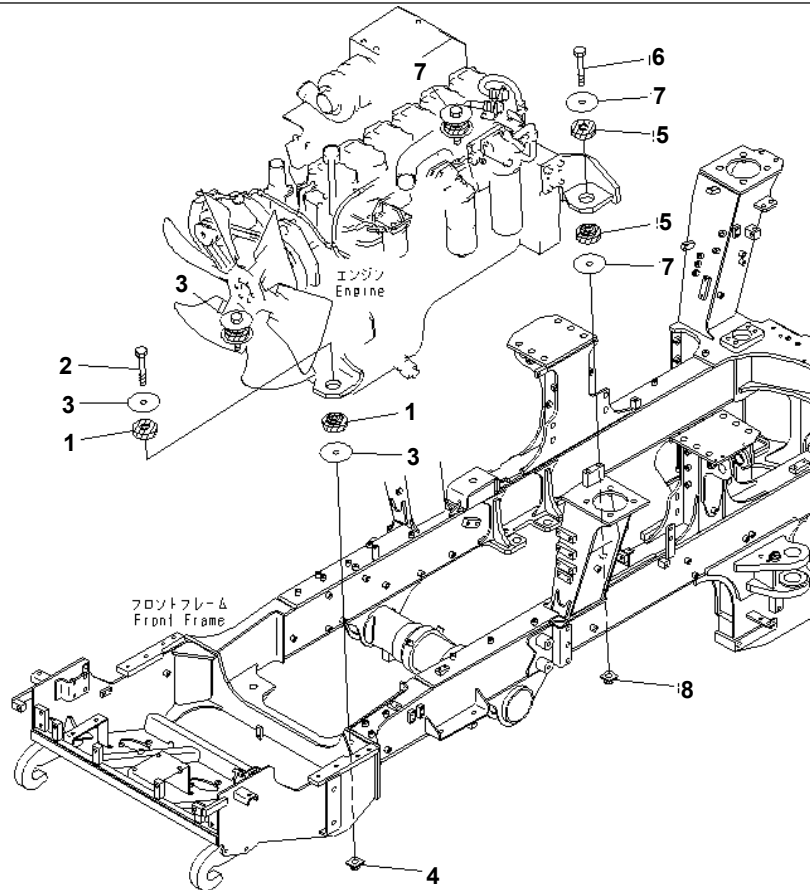


HM300-2 S/N 2001-2784 (ecot3)
HM300-2 S/N 2001-2784 (ecot3)

Item	Part Name
	SAA6D125E-5B-02 S/N 560001-UP
B0	ENGINE RELATED PARTS
C0	COOLING SYSTEM
D0	FUEL TANK AND RELATED PARTS
E0	ELECTRICAL SYSTEM
F0	POWER TRAIN
H0	HYDRAULIC SYSTEM
J0	MAIN FRAME AND RELATED PARTS
K0	OPERATOR'S COMPARTMENT AND CONTROL SYSTEM
M0	GUARD
S0	RIM AND TIRE
T0	BODY
U0	MARKS AND PLATES
V0	TOOL
W0	MISCELLANEOUS
Y0	SERVICE KIT AND COMPONENT PARTS

HM300-2 S/N 2001-2784 (ecot3)**ENGINE RELATED PARTS**

Item	Part Name	Qty
10	ENGINE MOUNTING(#2001-)	1
20	ENGINE HOSE(#2001-)	1
30	ENGINE PIPING (EXHAUST)	1
40	ENGINE PIPING (EXHAUST)(#2785-)	1
50	ENGINE PIPING (AIR INTAKE)(#2001-)	1
60	AIR CONDITIONER AND HEATER (HEATER PIPING)(#2001-)	1
70	AIR CONDITIONER AND HEATER (AIR COMPRESSOR AND RELATED PARTS)(#2001-)	1
80	DAMPER(#2001-)	1



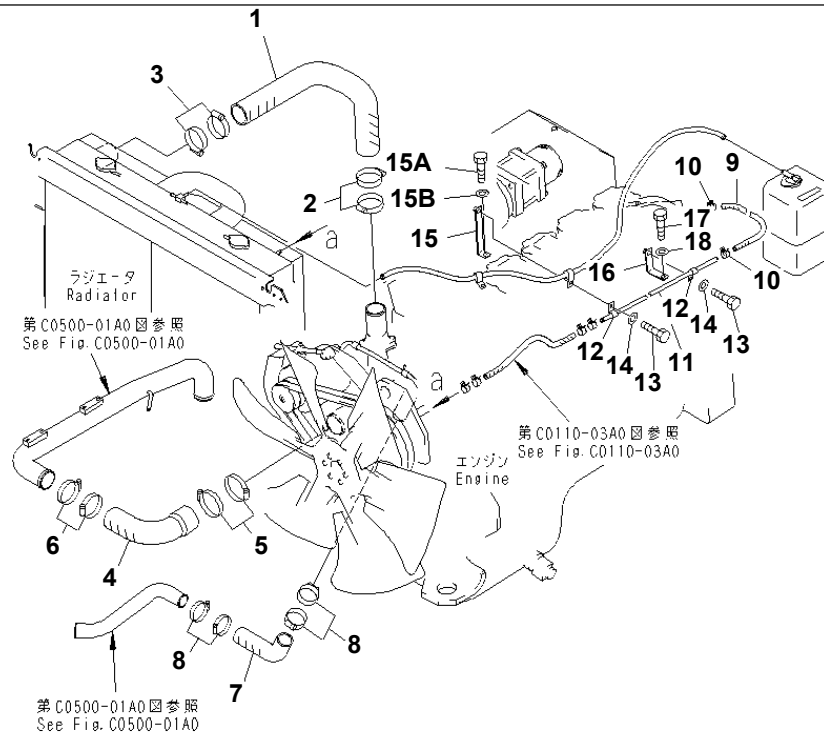
Ref. B0100-01A0

Page 030010

HM300-2 S/N 2001-2784 (ecot3)
ENGINE MOUNTING(#2001-)

Item	Part No.	Part Name	Qty	Serial No.
1	425-01-11350	CUSHION	4	2001-
2	01011-62225	BOLT	2	2001-
3	424-01-11220	WASHER	4	2001-
4	425-01-11250	PLATE	2	2001-
5	425-01-11350	CUSHION	4	2001-
6	01011-62225	BOLT	2	2001-
7	424-01-11220	WASHER	4	2001-
8	425-01-11250	PLATE	2	2001-

HM300-2 S/N 2001-2784 (ecot3)
00050257



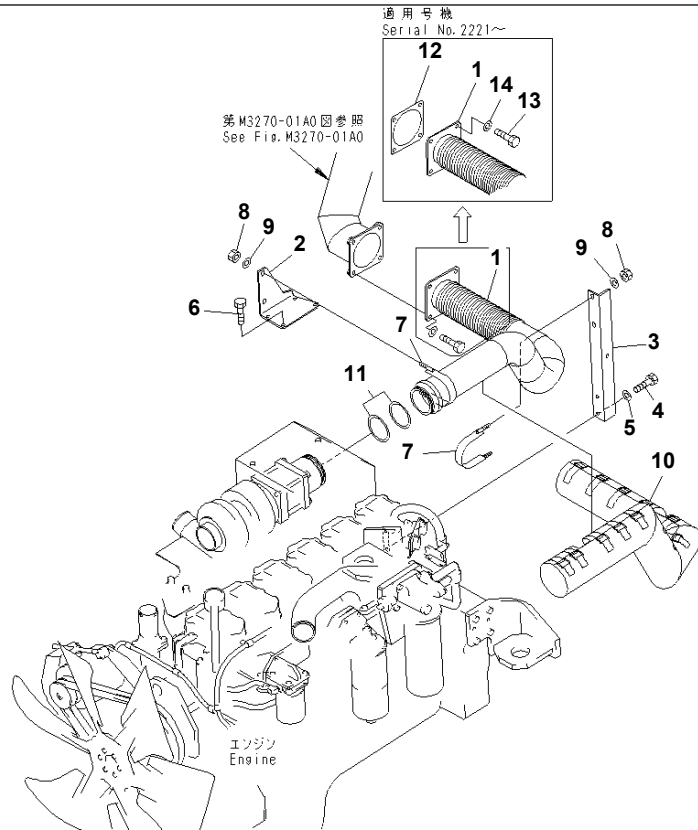
00050257

Ref. B0110-01A0

Page 030020

HM300-2 S/N 2001-2784 (ecot3)
ENGINE HOSE(#2001-)

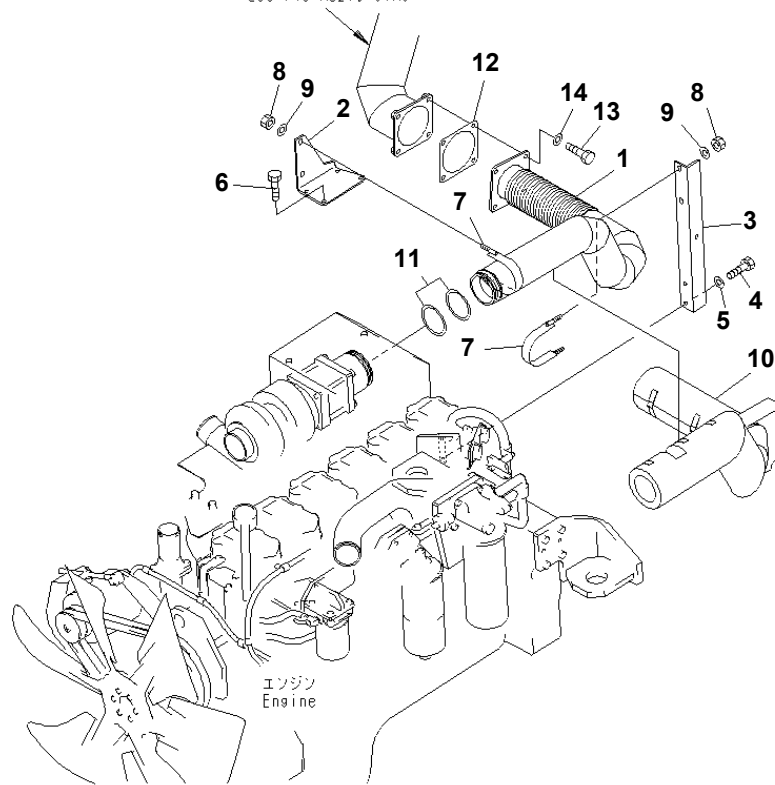
Item	Part No.	Part Name	Qty	Serial No.
1	56D-03-21610	HOSE	1	2001-
2	07299-00070	CLAMP	2	2001-
3	07299-00070	CLAMP	2	2001-
4	56D-03-11621	HOSE	1	2001-
5	07299-00080	CLAMP	2	2001-
6	07299-00070	CLAMP	2	2001-
7	56D-03-11632	HOSE	1	2001-
8	07299-00055	CLAMP	4	2001-
9	09483-40304	HOSE	1	2001-
10	11Y-09-11140	CLIP	2	2001-
11	56D-03-11920	TUBE	1	2001-
12	04434-51010	CLIP	2	2001-
13	01010-81020	BOLT	2	2001-
14	01643-31032	WASHER	2	2001-
15	56D-03-11941	BRACKET	1	2001-
15A	01011-81065	BOLT	1	2001-
15B	01643-31032	WASHER	1	2001-
16	56D-03-11951	BRACKET	1	2001-
17	01010-81025	BOLT	1	2001-
18	01643-31032	WASHER	1	2001-



HM300-2 S/N 2001-2784 (ecot3)
ENGINE PIPING (EXHAUST)

Item	Part No.	Part Name	Qty	Serial No.
1	56D-02-21412	TUBE	1	2206-2784
	□56D-02-21411	TUBE	1	2001-2205
2	56D-02-21131	BRACKET	1	2001-@
3	56D-02-21120	BRACKET	1	2001-@
4	01010-81020	BOLT	2	2001-@
5	01643-31032	WASHER	2	2001-@
6	01010-E1045	BOLT	4	2001-@
7	56D-02-11810	CLAMP	2	2001-@
8	01580-11008	NUT	8	2001-@
9	01643-31032	WASHER	4	2001-@
10	56D-02-21421	COVER	1	2001-2784
11	6151-11-5280	RING	2	2001-@
12	56B-02-11591	GASKET	1	2221-@
13	01010-81030	BOLT	4	2221-@
14	01643-31032	WASHER	4	2221-@

第M3270-01A0図参照
See Fig. M3270-01A0



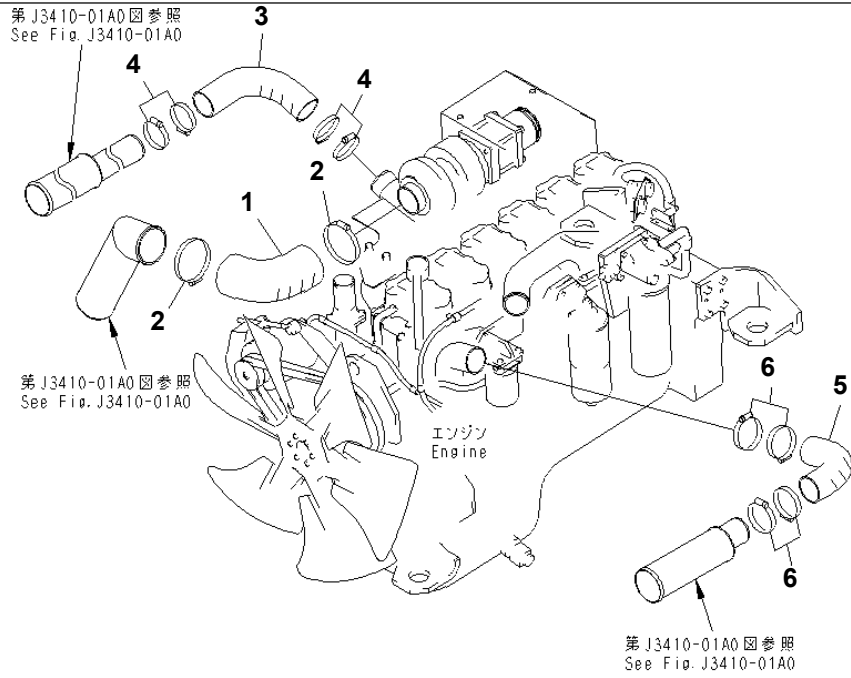
00089189

Ref. B0130-01A0A

Page 030040

HM300-2 S/N 2001-2784 (ecot3)
ENGINE PIPING (EXHAUST)(#2785-)

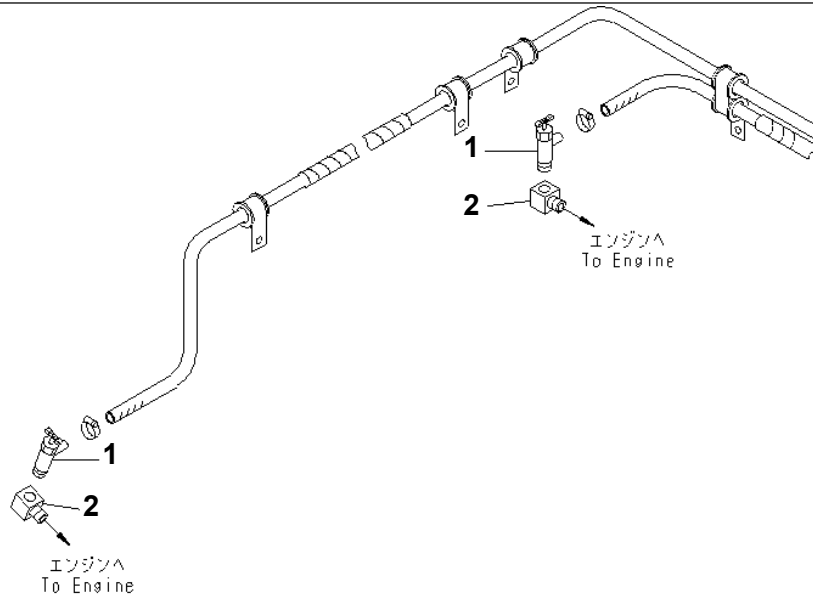
Item	Part No.	Part Name	Qty	Serial No.
1	56E-02-27410	TUBE	1	2785-
2	56D-02-21131	BRACKET	1	2001-
3	56D-02-21120	BRACKET	1	2001-
4	01010-81020	BOLT	2	2001-
5	01643-31032	WASHER	2	2001-
6	01010-E1045	BOLT	4	2001-
7	56D-02-11810	CLAMP	2	2001-
8	01580-11008	NUT	8	2001-
9	01643-31032	WASHER	4	2001-
10	56D-02-21422	COVER	1	2785-
11	6151-11-5280	RING	2	2001-
12	56B-02-11591	GASKET	1	2221-
13	01010-81030	BOLT	4	2221-
14	01643-31032	WASHER	4	2221-



HM300-2 S/N 2001-2784 (ecot3)
ENGINE PIPING (AIR INTAKE)(#2001-)

Item	Part No.	Part Name	Qty	Serial No.
1	56D-02-12310	HOSE	1	2001-
2	07289-00120	CLAMP	2	2001-
3	56D-02-22280	HOSE	1	2001-
4	07299-00080	CLAMP	4	2001-
5	56D-02-22330	HOSE	1	2001-
6	07299-00080	CLAMP	4	2001-

HM300-2 S/N 2001-2784 (ecot3)
00047866



00047866

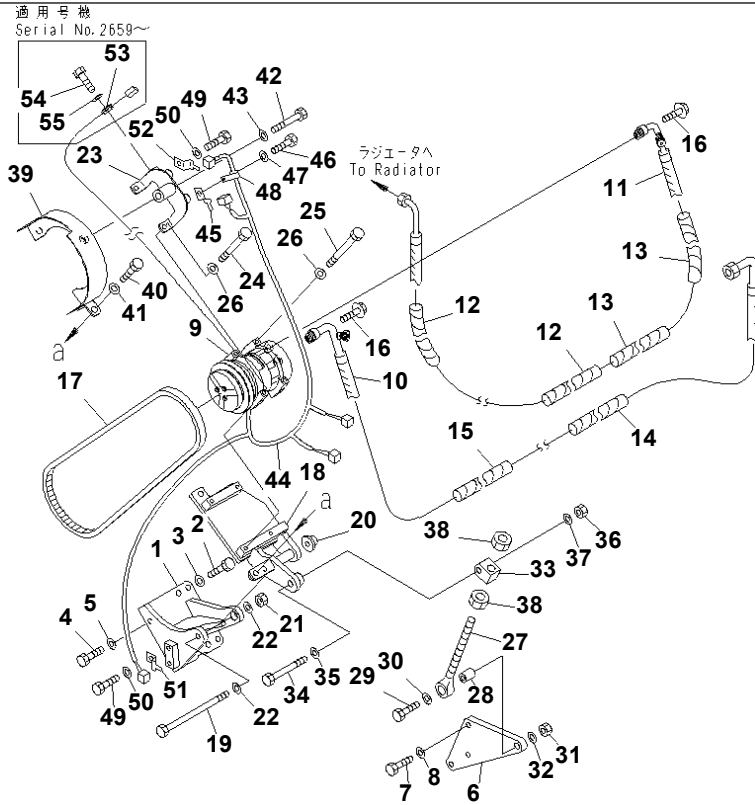
Ref. B0150-01A0

Page 030060

HM300-2 S/N 2001-2784 (ecot3)
AIR CONDITIONER AND HEATER (HEATER PIPING)(#2001-)

Item	Part No.	Part Name	Qty	Serial No.
1	09482-20000	VALVE	2	2001-
2	565-44-15380	ELBOW	2	2001-

HM300-2 S/N 2001-2784 (ecot3)
00087573



00087573

Ref. B0150-02A0

Page 030070

HM300-2 S/N 2001-2784 (ecot3)
AIR CONDITIONER AND HEATER (AIR COMPRESSOR AND RELATED PARTS)(#2001-)

Item	Part No.	Part Name	Qty	Serial No.
1	56D-07-22762	BRACKET	1	2001-
2	01010-81030	BOLT	4	2001-
3	01643-31032	WASHER	4	2001-
4	01010-81045	BOLT	1	2001-
5	01643-31032	WASHER	1	2001-
6	56D-07-22810	PLATE	1	2001-
7	01010-81035	BOLT	3	2001-
8	01643-31032	WASHER	3	2001-
	56D-07-21202	COMPRESSOR KIT	1	2723-
	56D-07-21201	COMPRESSOR KIT	1	2001-2722
9	56E-07-21120	COMPRESSOR ASS'Y	1	2001-
10	56D-07-22914	HOSE	1	2001-
11	56D-07-22924	HOSE	1	2723-
	56D-07-22923	HOSE	1	2001-2722
12	08210-01805	SPIRAL TUBE	2	2001-
13	08210-01804	SPIRAL TUBE	2	2001-
14	08210-01806	SPIRAL TUBE	1	2001-
15	08210-01805	SPIRAL TUBE	1	2001-
16	01435-00825	BOLT	2	2001-
17	04120-21760	V-BELT	1	2001-
18	56D-07-22771	BRACKET	1	2001-
19	125-70-21210	BOLT	1	2001-
20	566-07-6A580	COLLAR	1	2001-
21	01580-11210	NUT	1	2001-
22	01643-31232	WASHER	2	2001-
23	56D-07-22782	BRACKET	1	2001-
24	6132-11-6460	BOLT	2	2001-
25	419-09-11330	BOLT	2	2001-

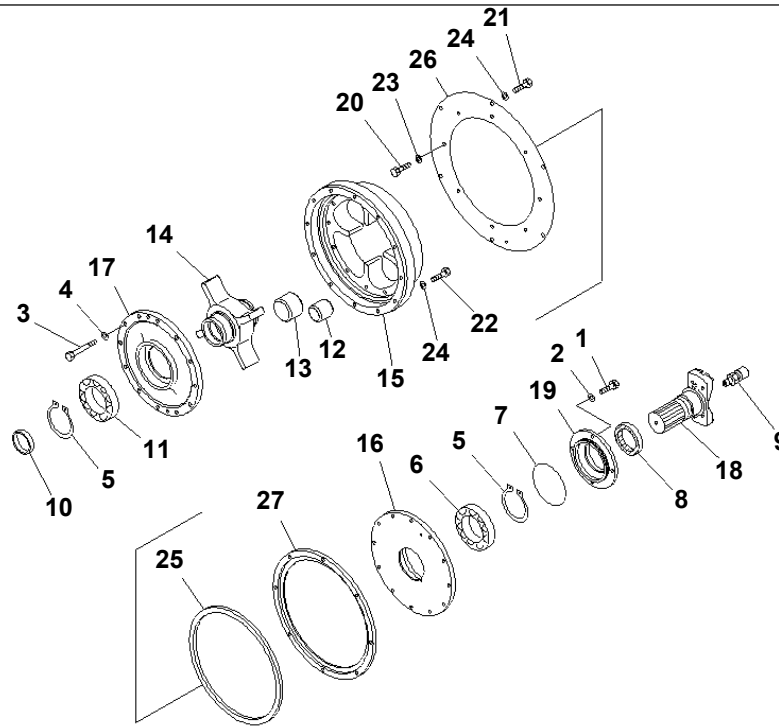
Reference: B0150-02A0

Page: 030070

HM300-2 S/N 2001-2784 (ecot3)
AIR CONDITIONER AND HEATER (AIR COMPRESSOR AND RELATED PARTS)(#2001-)

Item	Part No.	Part Name	Qty	Serial No.
26	01643-30823	WASHER	4	2001-
27	6240-81-8610	ROD	1	2001-
28	6215-81-6150	PIN	1	2001-
29	01010-81265	BOLT	1	2001-
30	01643-31232	WASHER	1	2001-
31	01580-11210	NUT	1	2001-
32	01643-31232	WASHER	1	2001-
33	56D-07-12791	PLATE	1	2001-
34	01010-81280	BOLT	1	2001-
35	01643-31232	WASHER	1	2001-
36	01580-11210	NUT	1	2001-
37	01643-31232	WASHER	1	2001-
38	01580-01613	NUT	2	2001-
39	56D-07-22822	COVER	1	2001-
40	01010-81025	BOLT	2	2723-
	01010-81025	BOLT	1	2001-2722
41	01643-31032	WASHER	2	2723-
	01643-31032	WASHER	1	2001-2722
42	01010-81060	BOLT	1	2001-
43	01643-31032	WASHER	1	2001-
44	56D-06-21441	WIRING HARNESS	1	2001-
	56B-06-16510	· DIODE	1	2001-
45	08193-21012	CLIP	1	2001-
46	01010-81020	BOLT	1	2001-
47	01643-31032	WASHER	1	2001-
48	04434-51010	CLIP	1	2001-
49	01010-81020	BOLT	2	2001-
50	01643-31032	WASHER	2	2001-
51	08193-21012	CLIP	1	2001-
52	08053-01510	CLIP	1	2001-
53	04434-50510	CLIP	1	2659-
54	01010-81016	BOLT	1	2659-
55	01643-31032	WASHER	1	2659-

HM300-2 S/N 2001-2784 (ecot3)
00047887



00047887

Ref. B0600-01A0

Page 030080

HM300-2 S/N 2001-2784 (ecot3)
DAMPER(#2001-)

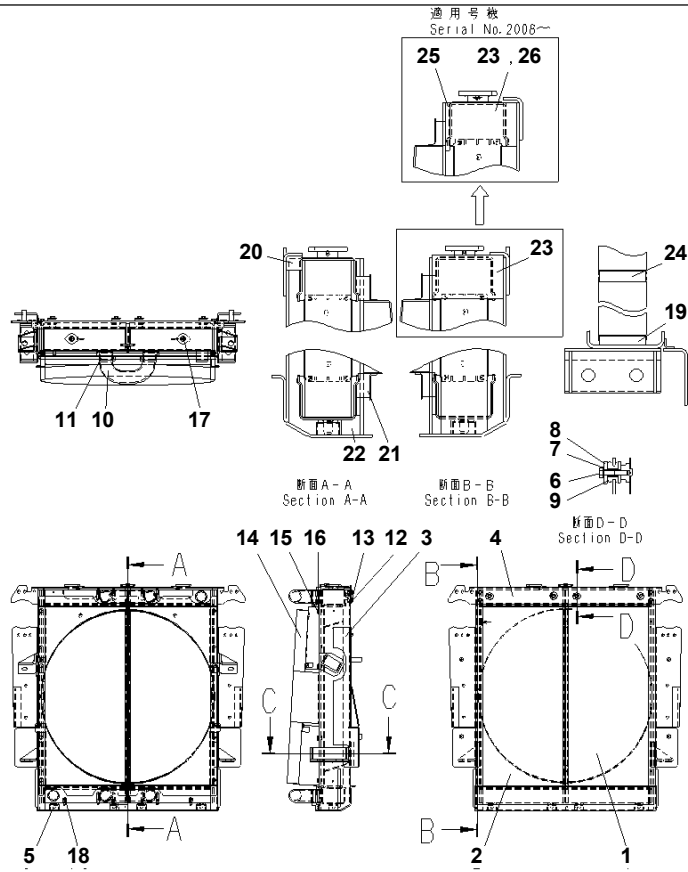
Item	Part No.	Part Name	Qty	Serial No.
1	01010-61030	BOLT	2	2001-
2	01643-31032	WASHER	2	2001-
3	01011-61005	BOLT	12	2001-
4	01643-31032	WASHER	12	2001-
5	04064-08530	RING	2	2001-
6	06040-06017	BEARING	1	2001-
7	07000-12125	O-RING	1	2001-
8	07012-00070	SEAL	1	2001-
9	07030-01030	BREATHER	1	2001-
10	07046-47020	PLUG	1	2001-
11	421-12-12220	BEARING	1	2001-
12	56D-01-22410	RUBBER	4	2001-
13	56D-01-22420	RUBBER	4	2001-
14	56D-01-22730	BODY	1	2001-
15	56D-01-22740	BODY	1	2001-
16	421-12-12752	FLANGE	1	2001-
17	421-12-12762	FLANGE	1	2001-
18	56D-01-22770	SHAFT	1	2001-
19	421-12-12790	COVER	1	2001-
20	01010-60816	BOLT	8	2001-
21	01010-61020	BOLT	6	2001-
22	01010-61040	BOLT	12	2001-
23	01643-30823	WASHER	8	2001-
24	01643-31032	WASHER	18	2001-
25	421-12-12241	SEAL	1	2001-
26	421-12-12783	COVER	1	2001-
27	421-12-12230	PLATE	1	2001-

HM300-2 S/N 2001-2784 (ecot3)

COOLING SYSTEM

Item	Part Name	Qty
10	RADIATOR(#2001-)	1
20	RADIATOR (AFTER COOLER)(#2001-)	1
30	RADIATOR (BAFFLE AND FAN NET)(#2001-)	1
40	RADIATOR (AIR INTAKE PIPING)(#2001-)	1
50	RADIATOR (MOUNTING PARTS)(#2001-)	1
60	RADIATOR (RESERVE TANK)(#2001-)	1
70	COOLANT LINE(#2001-)	1
80	BRAKE OIL COOLER(#2001-)	1
90	BRAKE OIL COOLER PIPING (1/2)(#2001-)	1
100	BRAKE OIL COOLER PIPING (2/2)(#2001-)	1

HM300-2 S/N 2001-2784 (ecot3)
00050260



00050260

Ref. C0110-01A0

Page 060010

HM300-2 S/N 2001-2784 (ecot3)
RADIATOR(#2001-)

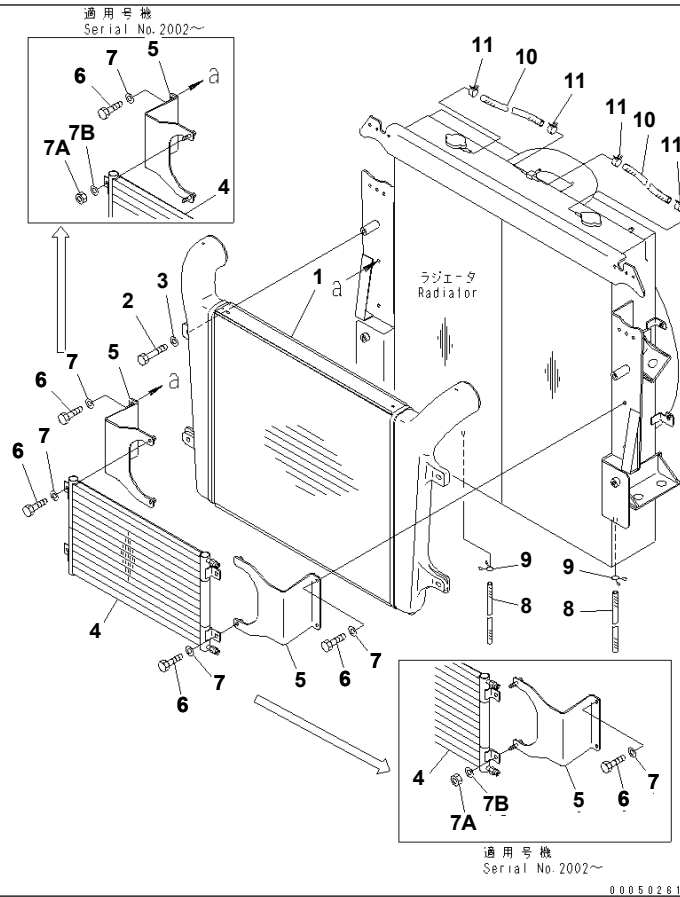
Item	Part No.	Part Name	Qty	Serial No.
	56D-03-21103	COOLER ASS'Y	1	2405-
	□56D-03-21102	COOLER ASS'Y	1	2001-2404
	56D-03-21203	· RADIATOR ASS'Y	1	2405-
	□56D-03-21202	· RADIATOR ASS'Y	1	2001-2404
1	56D-03-21211	· · CORE	1	2405-
	□56D-03-21210	· · CORE	1	2001-2404
2	56D-03-21221	· · CORE	1	2405-
	□56D-03-21220	· · CORE	1	2001-2404
3	56D-03-21231	· · BRACKET	1	2551-
	□56D-03-21230	· · BRACKET	1	2001-2550
4	56D-03-21240	· · BRACKET	1	2001-
5	23C-03-51751	· · CUSHION	4	2001-
6	01010-81050	· · BOLT	4	2001-
7	01643-31032	· · WASHER	4	2001-
8	207-03-75590	· · PLATE	8	2405-
	207-03-75590	· · PLATE	4	2001-2404
9	195-03-41380	· · CUSHION	4	2001-
10	56D-03-21250	· · HOSE	2	2001-
11	07299-00070	· · CLAMP	8	2001-
12	01010-81025	· · BOLT	4	2001-
13	01643-31032	· · WASHER	4	2001-
14	56D-03-21260	· · SHROUD	1	2001-
15	01010-81025	· · BOLT	8	2001-
16	01643-31032	· · WASHER	8	2001-
17	104-03-41230	· · CAP	2	2001-
18	205-03-62660	· · PLUG	2	2001-
	07000-11007	· · · O-RING	2	2001-
19	56D-03-21270	· · PACKING	2	2001-2007
20	56D-03-21280	· · PACKING	1	2001-

HM300-2 S/N 2001-2784 (ecot3)

RADIATOR(#2001-)

Item	Part No.	Part Name	Qty	Serial No.
21	56D-03-21291	· · PACKING	2	2008-
	<input type="checkbox"/> 56D-03-21290	· · PACKING	2	2001-2007
22	56D-03-21310	· · PACKING	1	2001-
23	56D-03-21321	· · PACKING	1	2008-
	<input type="checkbox"/> 56D-03-21320	· · PACKING	1	2001-2007
24	56D-03-21330	· · PACKING	1	2001-
25	56D-03-21360	· · PACKING	4	2008-
26	56D-03-21370	· · PACKING	1	2008-

HM300-2 S/N 2001-2784 (ecot3)
00050261



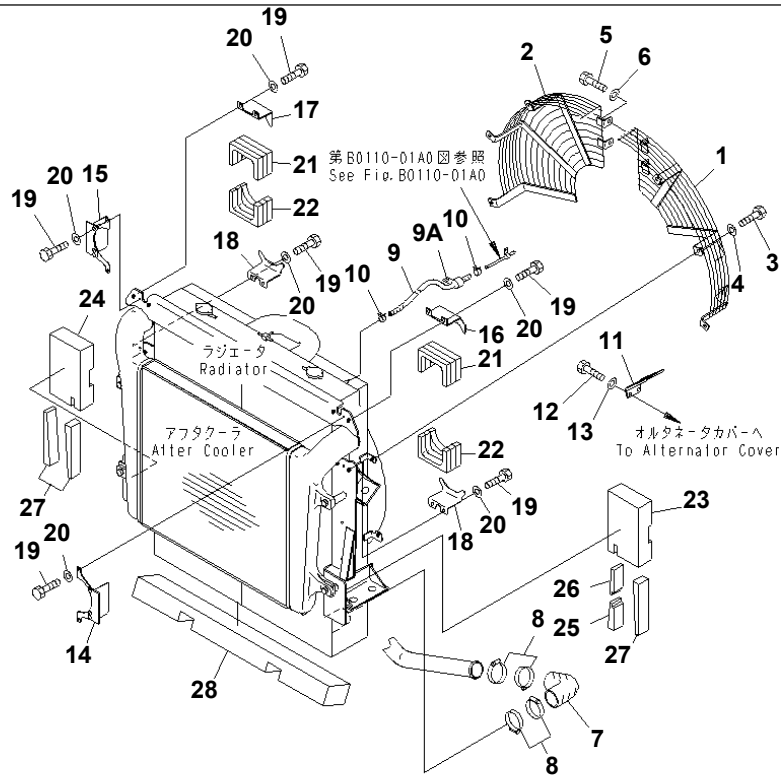
Ref. C0110-02A0

Page 060020

HM300-2 S/N 2001-2784 (ecot3)
RADIATOR (AFTER COOLER)(#2001-)

Item	Part No.	Part Name	Qty	Serial No.
	(56D-03-21103)	COOLER ASS'Y	1	2405-
	(□56D-03-21102)	COOLER ASS'Y	1	2001-2404
1	56D-03-21110	・ COOLER	1	2001-
2	01010-81245	・ BOLT	4	2001-
3	01643-31232	・ WASHER	4	2001-
4	56E-07-21132	・ CONDENSER ASS'Y	1	2001-
5	56D-07-22712	・ BRACKET	2	2002-
	□56D-07-22711	・ BRACKET	2	2001-2001
6	01010-80820	・ BOLT	4	2002-
	01010-80820	・ BOLT	8	2001-2001
7	01643-30823	・ WASHER	4	2002-
	01643-30823	・ WASHER	8	2001-2001
7A	01580-10806	・ NUT	4	2002-
7B	01643-30823	・ WASHER	4	2002-
8	415-03-11120	・ HOSE	2	2001-
9	20Y-03-11330	・ CLIP	2	2001-
10	56D-03-21340	・ HOSE	2	2001-
11	11Y-09-11120	・ CLIP	4	2001-

HM300-2 S/N 2001-2784 (ecot3)
00050262



00050262

Ref. C0110-03A0

Page 060030

HM300-2 S/N 2001-2784 (ecot3)
RADIATOR (BAFFLE AND FAN NET)(#2001-)

Item	Part No.	Part Name	Qty	Serial No.
	56E-03-27410	NET GROUP	1	2563-
1	56D-03-21481	COVER,L.H.	1	2001-
2	56D-03-21491	COVER,R.H.	1	2001-
3	01010-81025	BOLT	6	2001-
4	01643-31032	WASHER	6	2001-
5	01010-81025	BOLT	2	2001-
6	01643-31032	WASHER	2	2001-
7	56D-03-11880	HOSE	1	2001-
8	07299-00070	CLAMP	2	2001-
9	09483-10305	HOSE	1	2002-
	□09483-40307	HOSE	1	2001-2001
9A	04434-51610	CLIP	1	2002-
10	11Y-09-11140	CLIP	2	2001-
11	56D-03-21980	COVER	1	2001-2783
12	01010-81025	BOLT	2	2001-2783
13	01643-31032	WASHER	2	2001-2783
14	56D-03-21812	BAFFLE	1	2001-
15	56D-03-21822	BAFFLE	1	2001-
16	56D-03-21830	BRACKET	1	2001-
17	56D-03-21840	BRACKET	1	2001-
18	56D-03-21850	BRACKET	2	2001-
19	01010-80820	BOLT	12	2001-
20	01643-30823	WASHER	12	2001-
21	56D-03-21861	SHEET	2	2001-
22	56D-03-21871	SHEET	2	2001-
23	56D-03-21881	SHEET	1	2001-
24	56D-03-21891	SHEET	1	2001-
25	56D-03-21923	SHEET	1	2002-
	□56D-03-21922	SHEET	1	2001-2001

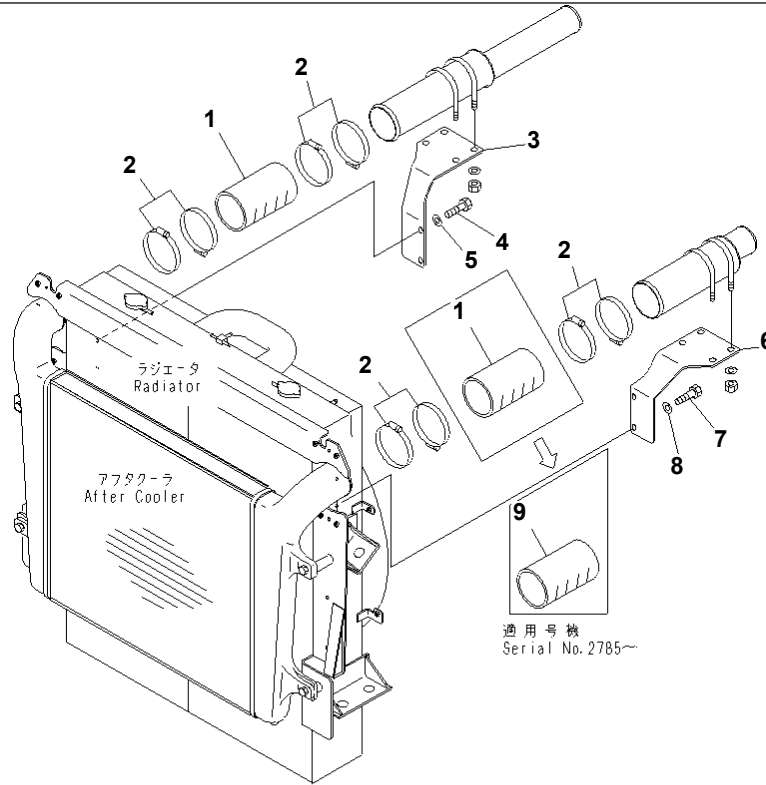
Reference:C0110-03A0

Page:060030

HM300-2 S/N 2001-2784 (ecot3)
RADIATOR (BAFFLE AND FAN NET)(#2001-)

Item	Part No.	Part Name	Qty	Serial No.
26	56D-03-22961	SHEET	1	2001-
27	56D-03-21932	SHEET	3	2001-
28	56D-03-21941	SHEET	1	2001-

HM300-2 S/N 2001-2784 (ecot3)
00089190



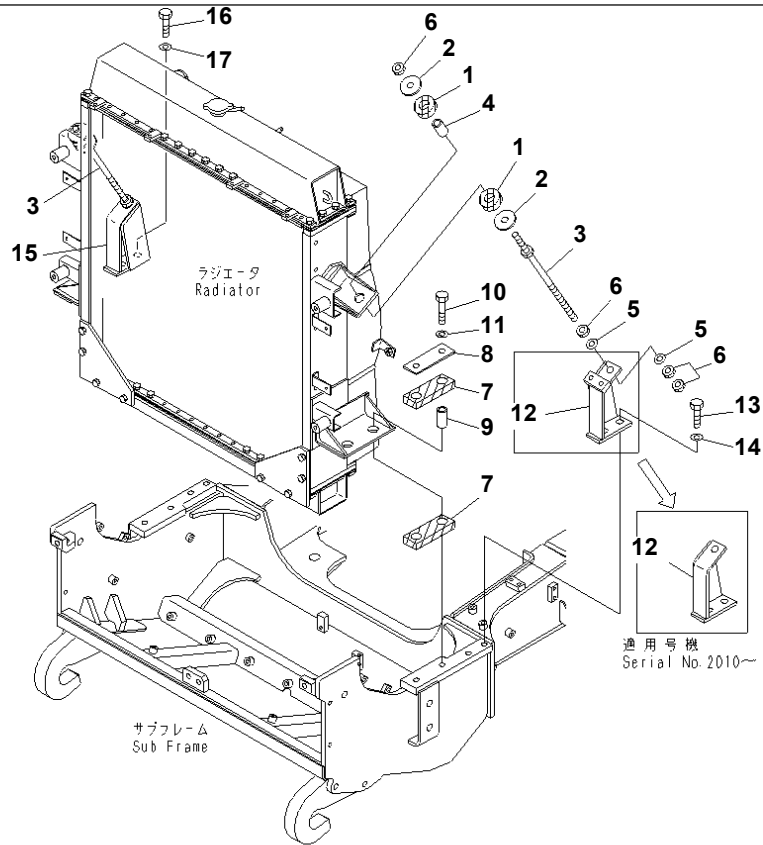
00089190

Ref. C0110-04A0

Page 060040

HM300-2 S/N 2001-2784 (ecot3)
RADIATOR (AIR INTAKE PIPING)(#2001-)

Item	Part No.	Part Name	Qty	Serial No.
1	56D-02-22290	HOSE	1	2785-
	56D-02-22290	HOSE	2	2001-2784
2	07299-00105	CLAMP	8	2001-
3	56D-02-22230	BRACKET	1	2001-
4	01010-81030	BOLT	2	2001-
5	01643-31032	WASHER	2	2001-
6	56D-02-22240	BRACKET	1	2001-
7	01010-81030	BOLT	2	2001-
8	01643-31032	WASHER	2	2001-
9	56E-02-27290	HOSE	1	2785-

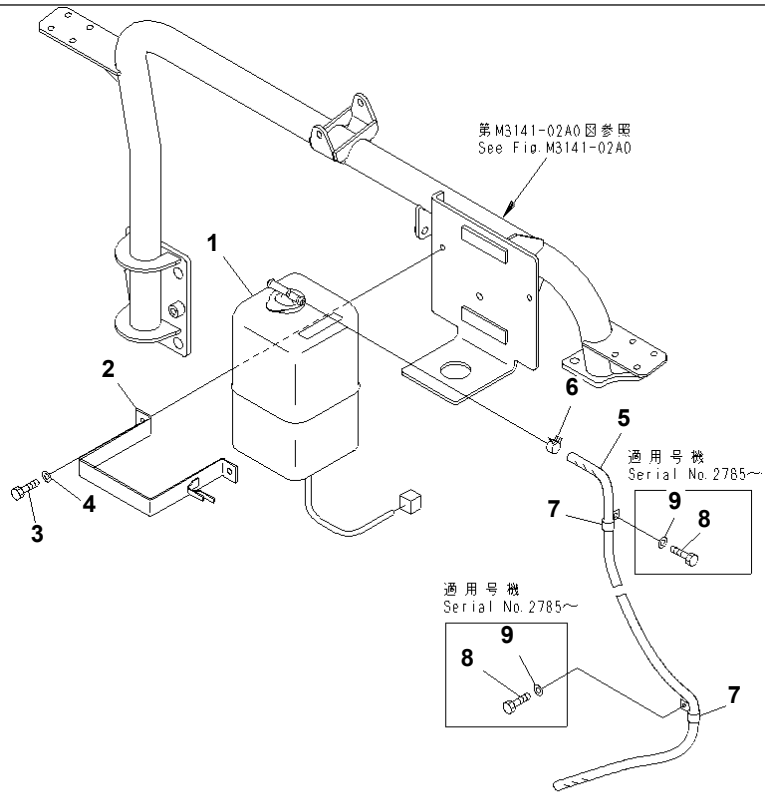


00050263

HM300-2 S/N 2001-2784 (ecot3)
RADIATOR (MOUNTING PARTS)(#2001-)

Item	Part No.	Part Name	Qty	Serial No.
1	285-03-11160	CUSHION	4	2001-
2	285-03-11170	PLATE	4	2001-
3	569-03-42340	ROD	2	2001-
4	283-04-12330	SPACER	2	2001-
5	01643-31645	WASHER	4	2001-
6	01582-11613	NUT	8	2001-
7	285-03-11120	CUSHION	4	2001-
8	285-03-11140	PLATE	2	2001-
9	285-03-11150	SPACER	4	2001-
10	01010-81680	BOLT	4	2001-
11	01643-31645	WASHER	4	2001-
12	56D-03-21710	BRACKET	1	2010-
	□56D-03-11711	BRACKET	1	2001-2009
13	01010-81630	BOLT	2	2001-
14	01643-31645	WASHER	2	2001-
15	56D-03-11721	BRACKET	1	2001-
16	01010-81630	BOLT	2	2001-
17	01643-31645	WASHER	2	2001-

HM300-2 S/N 2001-2784 (ecot3)
00089191



00089191

Ref. C0110-06A0

Page 060060

HM300-2 S/N 2001-2784 (ecot3)
RADIATOR (RESERVE TANK)(#2001-)

Item	Part No.	Part Name	Qty	Serial No.
1	419-03-21320	TANK ASS'Y	1	2001-
	421-03-22170	· CAP	1	2001-
2	423-03-11340	BRACKET	1	2001-
3	01010-80825	BOLT	2	2001-
4	01643-30823	WASHER	2	2001-
5	418-03-21230	HOSE	1	2001-
6	11Y-09-11120	CLIP	1	2001-
7	04434-51210	CLIP	2	2001-
8	01010-81020	BOLT	2	2785-
	01010-81020	BOLT	1	2001-2784
9	01643-31032	WASHER	2	2785-
	01643-31032	WASHER	1	2001-2784



Download the full PDF manual instantly.

Our customer service e-mail:

aservicemanualpdf@yahoo.com