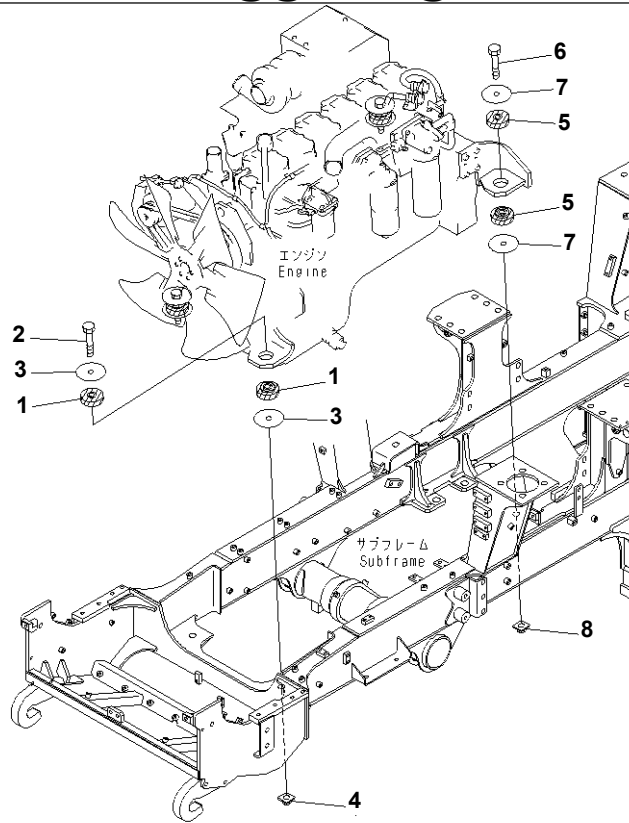


**HM300-1L S/N A10001-UP**  
**HM300-1L S/N A10001-UP**

Item	Description	Book	Page
	SAA6D125E-3 S/N .-UP	saa6d1he	
B0	ENGINE RELATED PARTS		030000
C0	COOLING SYSTEM		060000
D0	FUEL TANK AND RELATED PARTS		090000
E0	ELECTRICAL SYSTEM		120000
F0	POWER TRAIN		150000
H0	HYDRAULIC SYSTEM		180000
J0	MAIN FRAME AND RELATED PARTS		210000
K0	OPERATOR'S COMPARTMENT AND CONTROL SYSTEM		240000
L0	PLATFORM AND RELATED PARTS		270000
M0	GUARD		300000
S0	RIM AND TIRE		330000
T0	BODY		360000
U0	MARKS AND PLATES		390000
V0	TOOL		420000
Y0	SERVICE KIT AND COMPONENT PARTS		450000

**HM300-1L S/N A10001-UP  
ENGINE RELATED PARTS**

Item	Description	Qty	Page
10	ENGINE MOUNTING	1	030010
20	ENGINE HOSE	1	030020
30	ENGINE PIPING (AIR INTAKE AND EXHAUST)	1	030030
40	ENGINE PIPING (AIR INTAKE AND EXHAUST) (WITH EXHAUST BRAKE)	1	030040
50	ENGINE HARNESS	1	030050
60	DAMPER	1	030060
70	AIR CLEANER AND PIPING	1	030070
80	AIR CLEANER	1	030080
90	AFTERCOOLER	1	030090

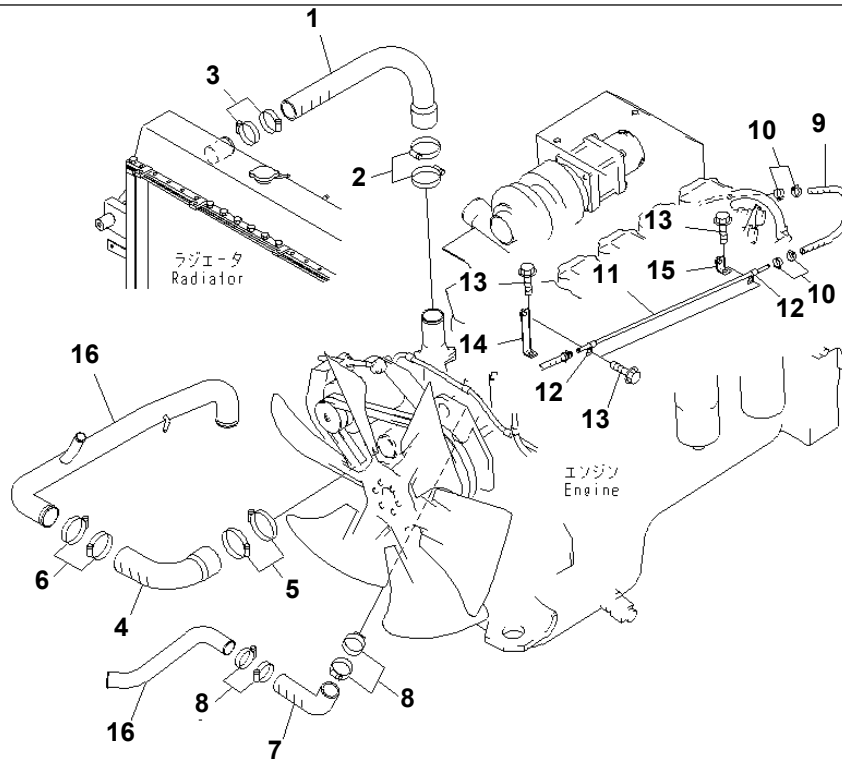


PW2C971

HM300-1L S/N A10001-UP  
ENGINE MOUNTING

Item	Part No.	Description	Qty	Options
1	425-01-11350	CUSHION	4	SN:A10001--,KIT-FLAG:_
2	01011-62225	BOLT	2	SN:A10001--,KIT-FLAG:_
3	424-01-11220	WASHER	4	SN:A10001--,KIT-FLAG:_
4	425-01-11250	PLATE	2	SN:A10001--,KIT-FLAG:_
5	425-01-11350	CUSHION	4	SN:A10001--,KIT-FLAG:_
6	01011-62225	BOLT	2	SN:A10001--,KIT-FLAG:_
7	424-01-11220	WASHER	4	SN:A10001--,KIT-FLAG:_
8	425-01-11250	PLATE	2	SN:A10001--,KIT-FLAG:_

HM300-1L S/N A10001-UP  
00073737



00073737

Ref. B0110-01A0

Page 030020

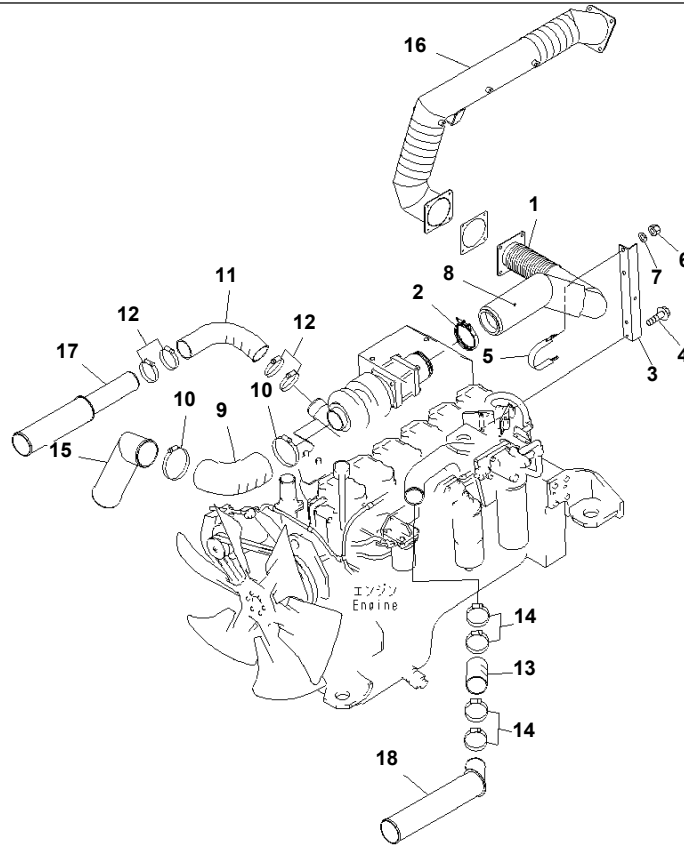
HM300-1L S/N A10001-UP  
ENGINE HOSE

Item	Part No.	Description	Qty	Options
1	56D-03-11611	HOSE	1	SN:A10001--,KIT-FLAG:_
2	07299-00055	CLAMP	2	SN:A10001--,KIT-FLAG:_
3	07299-00070	CLAMP	2	SN:A10001--,KIT-FLAG:_
4	56D-03-11621	HOSE	1	SN:A10001--,KIT-FLAG:_
5	07299-00080	CLAMP	2	SN:A10001--,KIT-FLAG:_
6	07299-00070	CLAMP	2	SN:A10001--,KIT-FLAG:_
7	56D-03-11632	HOSE	1	SN:A10001--,KIT-FLAG:_
8	07299-00055	CLAMP	4	SN:A10001--,KIT-FLAG:_
9	09483-40304	HOSE	1	SN:A10001--,KIT-FLAG:_
10	07281-10197	CLAMP	4	SN:A10001--,KIT-FLAG:_
11	56D-03-11920	TUBE	1	SN:A10001--,KIT-FLAG:_
12	04434-51010	CLIP	2	SN:A10001--,KIT-FLAG:_
13	01435-01016	BOLT	4	SN:A10001--,KIT-FLAG:_
14	56D-03-11941	BRACKET	1	SN:A10001--,KIT-FLAG:_
15	56D-03-11951	BRACKET	1	SN:A10001--,KIT-FLAG:_
16		TUBE,(SEE FIG. C0500-01A0)		SN:A10001--,KIT-FLAG:_

Ref. B0110-01A0

Page 030020

HM300-1L S/N A10001-UP  
00073738



00073738

Ref. B0130-01A0

Page 030030

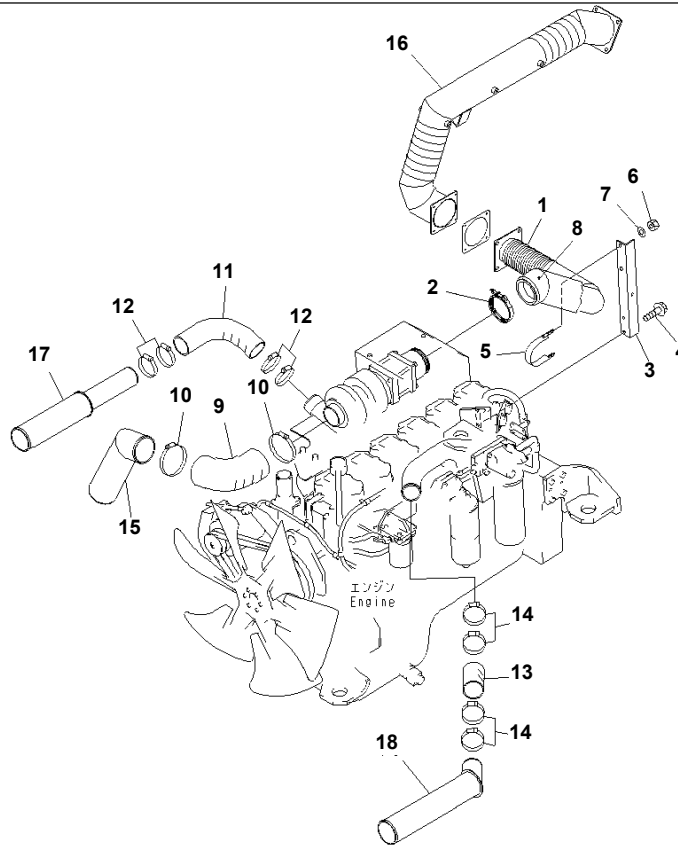
HM300-1L S/N A10001-UP  
ENGINE PIPING (AIR INTAKE AND EXHAUST)

Item	Part No.	Description	Qty	Options
1	56D-02-11410	TUBE	1	SN:A10001--,KIT-FLAG:_
2	6151-11-5361	CLAMP	1	SN:A10001--,KIT-FLAG:_
3	56D-02-11120	BRACKET	1	SN:A10001--,KIT-FLAG:_
4	01435-01020	BOLT	2	SN:A10001--,KIT-FLAG:_
5	56D-02-11810	CLAMP	1	SN:A10001--,KIT-FLAG:_
6	01580-11008	NUT	2	SN:A10001--,KIT-FLAG:_
7	01643-31032	WASHER	2	SN:A10001--,KIT-FLAG:_
8	56D-02-11421	COVER	1	SN:A10001--,KIT-FLAG:_
9	569-02-6E140	HOSE	1	SN:A10001--,KIT-FLAG:_
10	07289-00120	CLAMP	2	SN:A10001--,KIT-FLAG:_
11	6152-12-4930	HOSE	1	SN:A10001--,KIT-FLAG:_
12	07299-00080	CLAMP	4	SN:A10001--,KIT-FLAG:_
13	56D-02-12250	HOSE	1	SN:A10001--,KIT-FLAG:_
14	07299-00080	CLAMP	4	SN:A10001--,KIT-FLAG:_
15		TUBE,(SEE FIG. J3410-01A0)		SN:A10001--,KIT-FLAG:_
16		TUBE,(SEE FIG. M3270-01A0)		SN:A10001--,KIT-FLAG:_
17		TUBE,(SEE FIG. J3410-01A0)		SN:A10001--,KIT-FLAG:_
18		TUBE,(SEE FIG. J3410-01A0)		SN:A10001--,KIT-FLAG:_

Ref. B0130-01A0

Page 030030

HM300-1L S/N A10001-UP  
00073739



00073739

Ref. B0130-01A1

Page 030040

HM300-1L S/N A10001-UP  
ENGINE PIPING (AIR INTAKE AND EXHAUST) (WITH EXHAUST BRAKE)

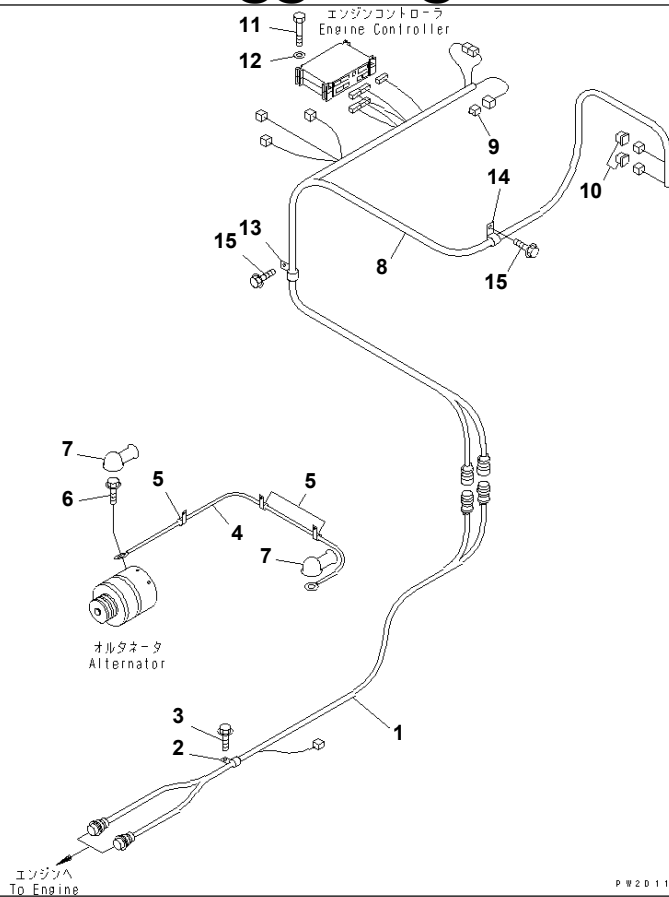
Item	Part No.	Description	Qty	Options
1	56D-02-11111	TUBE	1	SN:A10001--,KIT-FLAG:_
2	6151-11-5361	CLAMP	1	SN:A10001--,KIT-FLAG:_
3	56D-02-11120	BRACKET	1	SN:A10001--,KIT-FLAG:_
4	01435-01020	BOLT	2	SN:A10001--,KIT-FLAG:_
5	56D-02-11810	CLAMP	1	SN:A10001--,KIT-FLAG:_
6	01580-11008	NUT	2	SN:A10001--,KIT-FLAG:_
7	01643-31032	WASHER	2	SN:A10001--,KIT-FLAG:_
8	56D-02-11132	COVER	1	SN:A10001--,KIT-FLAG:_
9	569-02-6E140	HOSE	1	SN:A10001--,KIT-FLAG:_
10	07289-00120	CLAMP	2	SN:A10001--,KIT-FLAG:_
11	6152-12-4930	HOSE	1	SN:A10001--,KIT-FLAG:_
12	07299-00080	CLAMP	4	SN:A10001--,KIT-FLAG:_
13	56D-02-12250	HOSE	1	SN:A10001--,KIT-FLAG:_
14	07299-00080	CLAMP	4	SN:A10001--,KIT-FLAG:_
15		TUBE,(SEE FIG. J3410-01A0)		SN:A10001--,KIT-FLAG:_
16		TUBE,(SEE FIG. M3270-01A0)		SN:A10001--,KIT-FLAG:_
17		TUBE,(SEE FIG. J3410-01A0)		SN:A10001--,KIT-FLAG:_
18		TUBE,(SEE FIG. J3410-01A0)		SN:A10001--,KIT-FLAG:_

Ref. B0130-01A1

Page 030040

HM300-1L S/N A10001-UP

@@2D114@



Ref. B0140-01A0

Page 030050

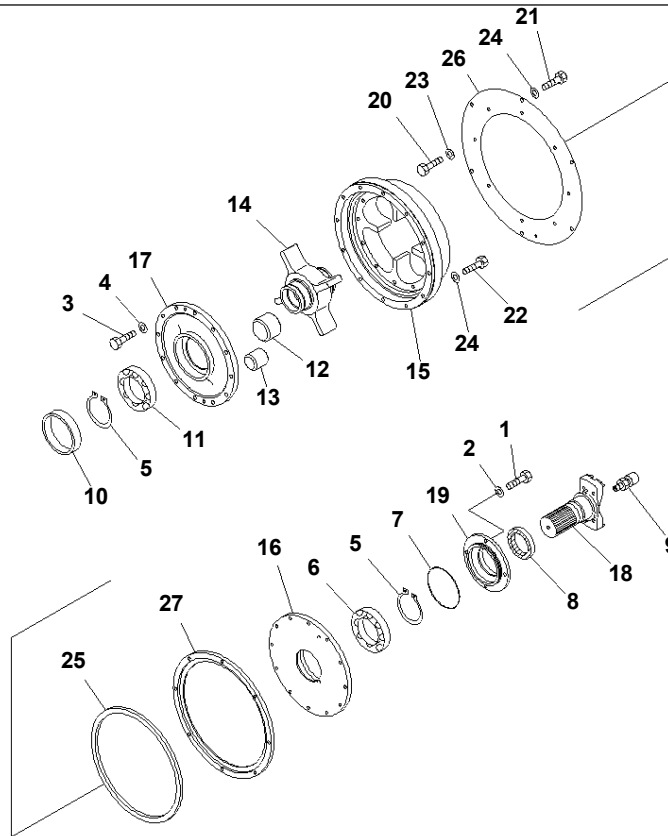
HM300-1L S/N A10001-UP  
ENGINE HARNESS

Item	Part No.	Description	Qty	Options
1	56D-06-11462	WIRING HARNESS,ENGINE	1	SN:A10001--,KIT-FLAG:_
2	04434-52711	CLIP	1	SN:A10001--,KIT-FLAG:_
3	01435-01016	BOLT	1	SN:A10001--,KIT-FLAG:_
4	56D-06-14530	CABLE	1	SN:A10001--,KIT-FLAG:_
5	08036-00814	CLIP	3	SN:A10001--,KIT-FLAG:_
6	01435-01016	BOLT	1	SN:A10001--,KIT-FLAG:_
7	08038-02027	CAP	2	SN:A10001--,KIT-FLAG:_
8	56B-06-16441	WIRING HARNESS,CAB	1	SN:A10001--,KIT-FLAG:_
9	56D-06-16450	CONNECTOR	1	SN:A10001--,KIT-FLAG:_
10	569-06-61960	RELAY	2	SN:A10001--,KIT-FLAG:_
11	01010-80885	BOLT	4	SN:A10001--,KIT-FLAG:_
12	01643-30823	WASHER	4	SN:A10001--,KIT-FLAG:_
13	08036-03014	CLIP	1	SN:A10001--,KIT-FLAG:_
14	08036-00814	CLIP	1	SN:A10001--,KIT-FLAG:_
15	01435-01016	BOLT	2	SN:A10001--,KIT-FLAG:_

Ref. B0140-01A0

Page 030050

**HM300-1L S/N A10001-UP  
00082649**



00082649

Ref. B0600-01A0

Page 030060

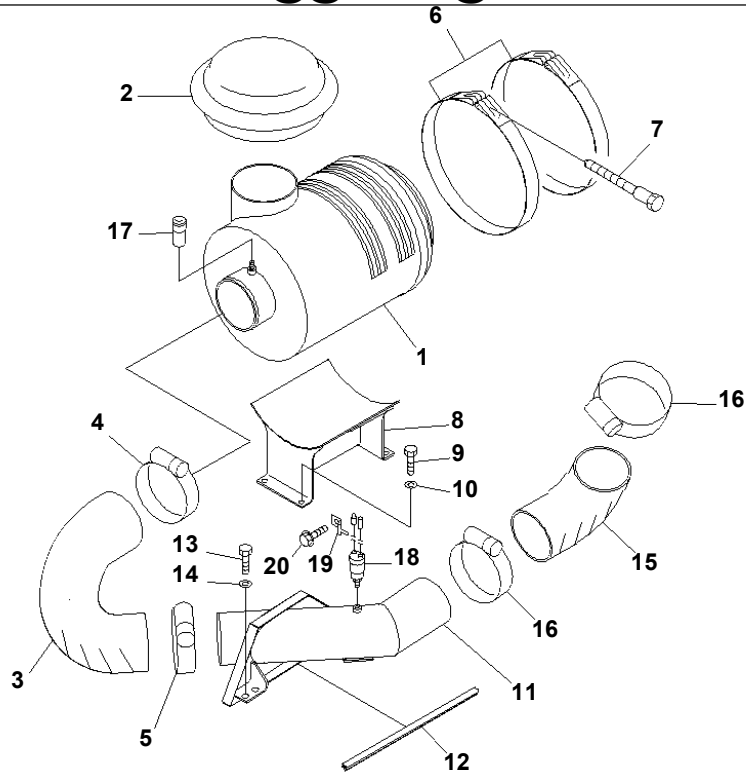
**HM300-1L S/N A10001-UP  
DAMPER**

Item	Part No.	Description	Qty	Options
1	01010-61030	BOLT	2	SN:A10001--,KIT-FLAG:_
2	01643-31032	WASHER	2	SN:A10001--,KIT-FLAG:_
3	01010-31090	BOLT	12	SN:A10001--,KIT-FLAG:_
4	01643-31032	WASHER	12	SN:A10001--,KIT-FLAG:_
5	04064-08530	RING,SNAP	2	SN:A10001--,KIT-FLAG:_
6	06040-06017	BEARING	1	SN:A10001--,KIT-FLAG:_
7	07000-12125	O-RING	1	SN:A10001--,KIT-FLAG:_
8	07012-00070	SEAL	1	SN:A10001--,KIT-FLAG:_
9	07030-01030	BREATHER	1	SN:A10001--,KIT-FLAG:_
10	07046-47020	PLUG	1	SN:A10001--,KIT-FLAG:_
11	421-12-12220	BEARING	1	SN:A10001--,KIT-FLAG:_
12	421-12-12271	RUBBER	4	SN:A10001--,KIT-FLAG:_
13	421-12-12372	RUBBER	4	SN:A10001--,KIT-FLAG:_
14	421-12-12730	BODY	1	SN:A10001--,KIT-FLAG:_
15	567-01-72140	BODY,OUTER	1	SN:A10001--,KIT-FLAG:_
16	421-12-12752	FLANGE	1	SN:A10001--,KIT-FLAG:_
17	421-12-12762	FLANGE	1	SN:A10001--,KIT-FLAG:_
18	421-12-12770	SHAFT	1	SN:A10001--,KIT-FLAG:_
19	421-12-12790	COVER	1	SN:A10001--,KIT-FLAG:_
20	01010-60816	BOLT	8	SN:A10001--,KIT-FLAG:_
21	01010-61020	BOLT	6	SN:A10001--,KIT-FLAG:_
22	01010-31060	BOLT	12	SN:A10001--,KIT-FLAG:_
23	01643-30823	WASHER	8	SN:A10001--,KIT-FLAG:_
24	01643-31032	WASHER	18	SN:A10001--,KIT-FLAG:_
25	421-12-12241	SEAL	1	SN:A10001--,KIT-FLAG:_
26	421-12-12783	COVER	1	SN:A10001--,KIT-FLAG:_
27	421-12-12230	PLATE	1	SN:A10001--,KIT-FLAG:_

Ref. B0600-01A0

Page 030060

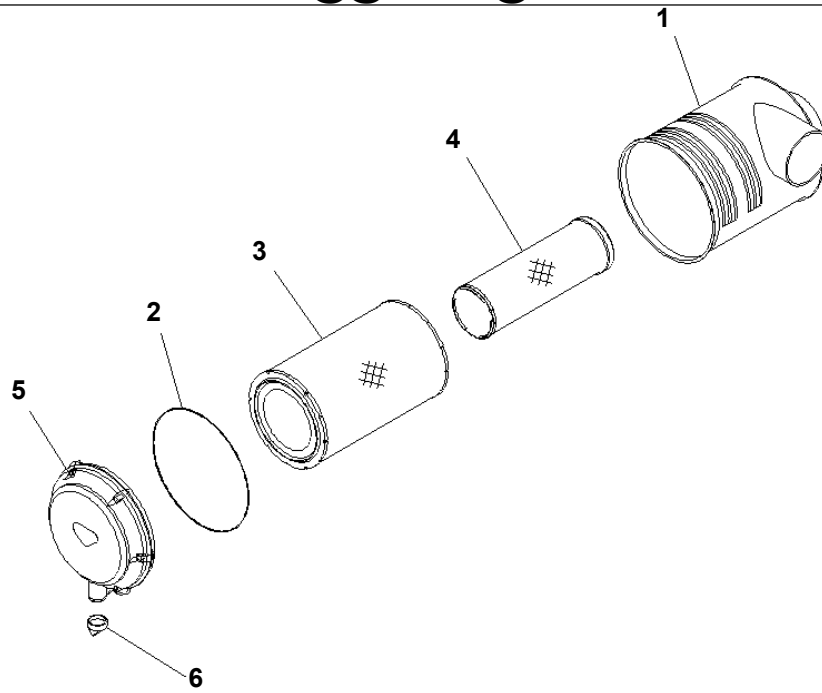




HM300-1L S/N A10001-UP  
AIR CLEANER AND PIPING

Item	Part No.	Description	Qty	Options
1		AIR CLEANER ASS'Y,(SEE FIG. B0700-02A0)		SN:A10001--,KIT-FLAG:_
2	600-181-3960	CAP	1	SN:A10001--,KIT-FLAG:_
3	56B-02-12121	HOSE	1	SN:A10001--,KIT-FLAG:_
4	07289-00170	CLAMP	1	SN:A10001--,KIT-FLAG:_
5	07289-00160	CLAMP	1	SN:A10001--,KIT-FLAG:_
6	6151-11-9970	BAND ASS'Y	2	SN:A10001--,KIT-FLAG:_
7	6643-11-4641	BOLT	2	SN:A10001--,KIT-FLAG:_
8	56B-02-12113	BRACKET	1	SN:A10001--,KIT-FLAG:_
9	01010-81225	BOLT	4	SN:A10001--,KIT-FLAG:_
10	01643-31232	WASHER	4	SN:A10001--,KIT-FLAG:_
11	56D-02-12132	TUBE	1	SN:A10001--,KIT-FLAG:_
12	56B-02-12150	SEAL	1	SN:A10001--,KIT-FLAG:_
13	01010-81225	BOLT	4	SN:A10001--,KIT-FLAG:_
14	01643-31232	WASHER	4	SN:A10001--,KIT-FLAG:_
15	569-02-6E140	HOSE	1	SN:A10001--,KIT-FLAG:_
16	07289-00120	CLAMP	2	SN:A10001--,KIT-FLAG:_
17	56B-02-12310	INDICATOR	1	SN:A10001--,KIT-FLAG:_
18	600-815-8860	INDICATOR	1	SN:A10001--,KIT-FLAG:_
19	08193-21012	CLIP	1	SN:A10001--,KIT-FLAG:_
20	01435-01016	BOLT	1	SN:A10001--,KIT-FLAG:_

HM300-1L S/N A10001-UP  
 @@6C601@



PJ6C601

Ref. B0700-02A0

Page 030080

HM300-1L S/N A10001-UP  
 AIR CLEANER

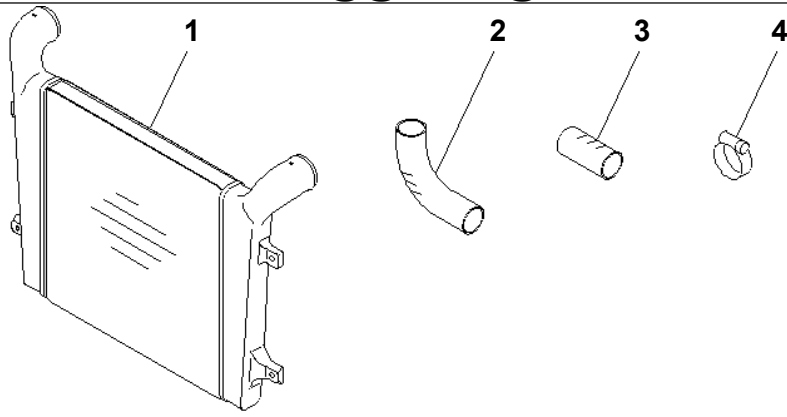
Item	Part No.	Description	Qty	Options
1	6217-81-7102	AIR CLEANER ASS'Y	1	SN:A10001--,KIT-FLAG:_
	6217-81-7112	· BODY	1	SN:A10001--,KIT-FLAG:_
	600-185-6100	· ELEMENT ASS'Y	1	SN:A10001--,KIT-FLAG:_
2	600-184-1671	· · O-RING	1	SN:A10001--,KIT-FLAG:_
3	☆	· · ELEMENT, OUTER	1	SN:A10001--,KIT-FLAG:_
4	☆	· · ELEMENT, INNER	1	SN:A10001--,KIT-FLAG:_
5	600-184-1610	· COVER ASS'Y	1	SN:A10001--,KIT-FLAG:_
6	600-814-1350	· VALVE, VACUATOR	1	SN:A10001--,KIT-FLAG:_

Ref. B0700-02A0

Page 030080

HM300-1L S/N A10001-UP

@@6F032@



PJ6F032

Ref. B9999-A3R5

Page 030090

HM300-1L S/N A10001-UP  
AFTERCOOLER

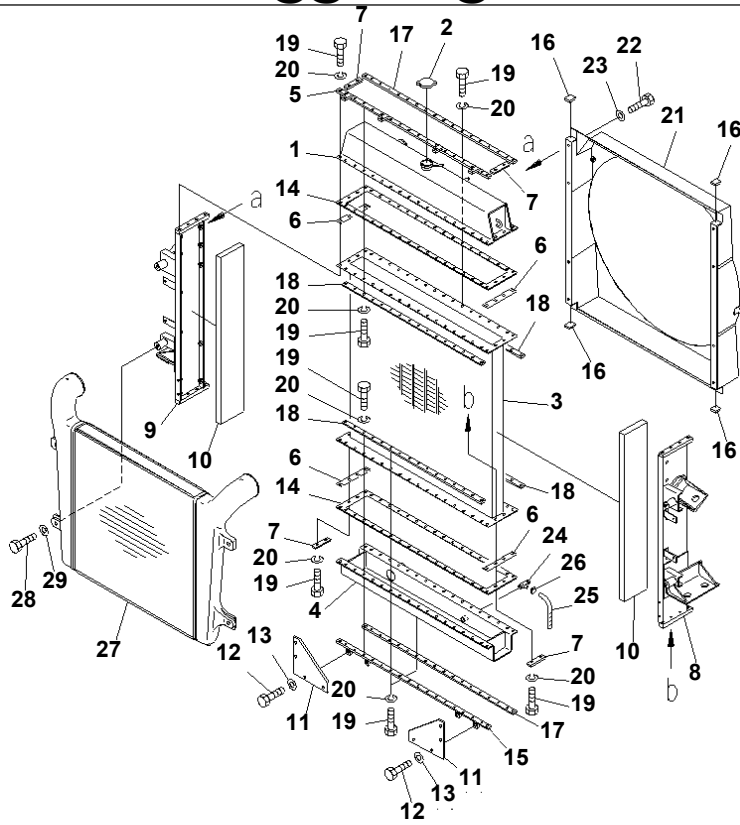
Item	Part No.	Description	Qty	Options
1	6156-61-5200	AFTERCOOLER ASS'Y	1	SN:A10001--,KIT-FLAG:_
2	6152-12-4930	HOSE	1	SN:A10001--,KIT-FLAG:_
3	6156-11-4410	HOSE	1	SN:A10001--,KIT-FLAG:_
4	6152-12-4490	CLAMP	4	SN:A10001--,KIT-FLAG:_

Ref. B9999-A3R5

Page 030090

**HM300-1L S/N A10001-UP  
COOLING SYSTEM**

Item	Description	Qty	Page
10	RADIATOR AND AFTER COOLER	1	060010
20	RADIATOR (BAFFLE AND FAN NET)	1	060020
30	RADIATOR (AIR INTAKE PIPING)	1	060030
40	RADIATOR (MOUNTING PARTS)	1	060040
50	RADIATOR (RESERVE TANK)	1	060050
60	COOLANT LINE	1	060060
70	BRAKE OIL COOLER	1	060070
80	BRAKE OIL COOLER PIPING	1	060080



P W 2 C 9 7 5

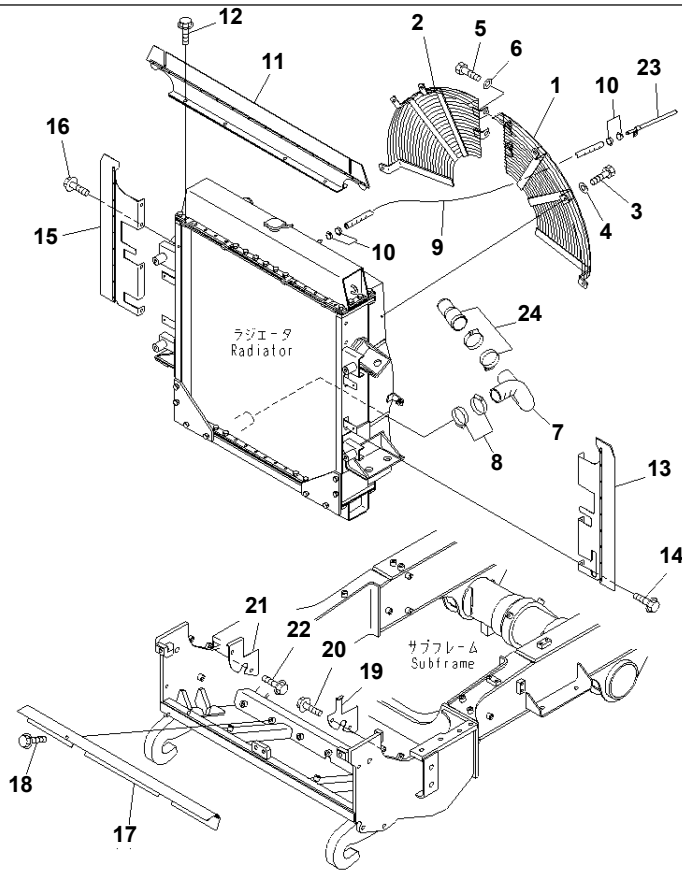
HM300-1L S/N A10001-UP  
RADIATOR AND AFTER COOLER

Item	Part No.	Description	Qty	Options
	56D-03-11102	RADIATOR ASS'Y	1	SN:A10008--,KIT-FLAG:_
	56D-03-11101	RADIATOR ASS'Y	1	SN:A10001--A10007,KIT-FLAG:_
	56D-03-11202	· RADIATOR ASS'Y	1	SN:A10008--,KIT-FLAG:_
	56D-03-11201	· RADIATOR ASS'Y	1	SN:A10001--A10007,KIT-FLAG:_
1	56D-03-11141	· · TANK,UPPER	1	SN:A10008--,KIT-FLAG:_
	56D-03-11140	· · TANK,UPPER	1	SN:A10001--A10007,KIT-FLAG:_
2	23W-03-21260	· · CAP	1	SN:A10001--,KIT-FLAG:_
3	56D-03-11130	· · CORE	1	SN:A10001--,KIT-FLAG:_
4	56D-03-11150	· · TANK,LOWER	1	SN:A10001--,KIT-FLAG:_
5	56D-03-11210	· · PLATE	1	SN:A10001--,KIT-FLAG:_
6	56D-03-11240	· · SHIM, 0.6MM	4	SN:A10001--,KIT-FLAG:_
7	56D-03-11230	· · PLATE	4	SN:A10001--,KIT-FLAG:_
8	56D-03-11160	· · SUPPORT	1	SN:A10001--,KIT-FLAG:_
9	56D-03-11170	· · SUPPORT	1	SN:A10001--,KIT-FLAG:_
10	56D-03-11271	· · SEAT	2	SN:A10008--,KIT-FLAG:_
	56D-03-11270	· · SEAT	2	SN:A10001--A10007,KIT-FLAG:_
11	56D-03-11260	· · PLATE	2	SN:A10001--,KIT-FLAG:_
12	01010-81035	· · BOLT	8	SN:A10001--,KIT-FLAG:_
13	01643-31232	· · WASHER	8	SN:A10001--,KIT-FLAG:_
14	56D-03-11250	· · GASKET	2	SN:A10001--,KIT-FLAG:_
15	23D-03-11220	· · BAR	1	SN:A10001--,KIT-FLAG:_
16	56D-03-11280	· · SEAT	4	SN:A10001--,KIT-FLAG:_
17	56D-03-11180	· · PLATE	2	SN:A10001--,KIT-FLAG:_
18	56D-03-11190	· · PLATE	4	SN:A10001--,KIT-FLAG:_
19	01010-81035	· · BOLT	80	SN:A10001--,KIT-FLAG:_
20	01602-21030	· · WASHER	80	SN:A10001--,KIT-FLAG:_
21	56D-03-11121	· · SHROUD	1	SN:A10001--,KIT-FLAG:_

**HM300-1L S/N A10001-UP  
RADIATOR AND AFTER COOLER**

Item	Part No.	Description	Qty	Options
22	01010-81020	· · BOLT	8	SN:A10001--,KIT-FLAG:_
23	01643-31032	· · WASHER	8	SN:A10001--,KIT-FLAG:_
24	195-03-13241	· · VALVE	1	SN:A10001--,KIT-FLAG:_
25	07270-01007	· · TUBE	1	SN:A10001--,KIT-FLAG:_
26	07281-00167	· · CLAMP	1	SN:A10001--,KIT-FLAG:_
27	6156-61-5200	· AFTERCOOLER ASS'Y	1	SN:A10001--,KIT-FLAG:_
28	01010-81040	· BOLT	4	SN:A10001--,KIT-FLAG:_
29	01643-31032	· WASHER	4	SN:A10001--,KIT-FLAG:_

HM300-1L S/N A10001-UP  
00073740



00073740

Ref. C0110-02A0

Page 060020

HM300-1L S/N A10001-UP  
RADIATOR (BAFFLE AND FAN NET)

Item	Part No.	Description	Qty	Options
1	56D-03-11482	COVER	1	SN:A10001--,KIT-FLAG:_
2	56D-03-11492	COVER	1	SN:A10001--,KIT-FLAG:_
3	01010-81025	BOLT	6	SN:A10001--,KIT-FLAG:_
4	01643-31032	WASHER	6	SN:A10001--,KIT-FLAG:_
5	01010-81025	BOLT	2	SN:A10001--,KIT-FLAG:_
6	01643-31032	WASHER	2	SN:A10001--,KIT-FLAG:_
7	56D-03-11651	HOSE	1	SN:A10001--,KIT-FLAG:_
8	07299-00055	CLAMP	2	SN:A10001--,KIT-FLAG:_
9	09483-40307	HOSE	1	SN:A10001--,KIT-FLAG:_
10	07281-10197	CLAMP	4	SN:A10001--,KIT-FLAG:_
11	56D-03-11811	BAFFLE	1	SN:A10001--,KIT-FLAG:_
	04400-00414	・ RIVET	16	SN:A10001--,KIT-FLAG:_
12	01435-01020	BOLT	4	SN:A10001--,KIT-FLAG:_
13	56D-03-11822	BAFFLE	1	SN:A10001--,KIT-FLAG:_
	04400-00414	・ RIVET	9	SN:A10001--,KIT-FLAG:_
14	01435-01020	BOLT	4	SN:A10001--,KIT-FLAG:_
15	56D-03-11832	BAFFLE	1	SN:A10001--,KIT-FLAG:_
	04400-00414	・ RIVET	7	SN:A10001--,KIT-FLAG:_
16	01435-01020	BOLT	4	SN:A10001--,KIT-FLAG:_
17	56D-03-11841	BAFFLE	1	SN:A10001--,KIT-FLAG:_
	04400-00414	・ RIVET	13	SN:A10001--,KIT-FLAG:_
18	01435-01016	BOLT	4	SN:A10001--,KIT-FLAG:_
19	56D-03-11852	PLATE	1	SN:A10001--,KIT-FLAG:_
20	01435-01016	BOLT	2	SN:A10001--,KIT-FLAG:_
21	56D-03-11861	PLATE	1	SN:A10001--,KIT-FLAG:_
22	01435-01016	BOLT	2	SN:A10001--,KIT-FLAG:_
23		TUBE,(SEE FIG. B0110-01A0)		SN:A10001--,KIT-FLAG:_

Ref. C0110-02A0

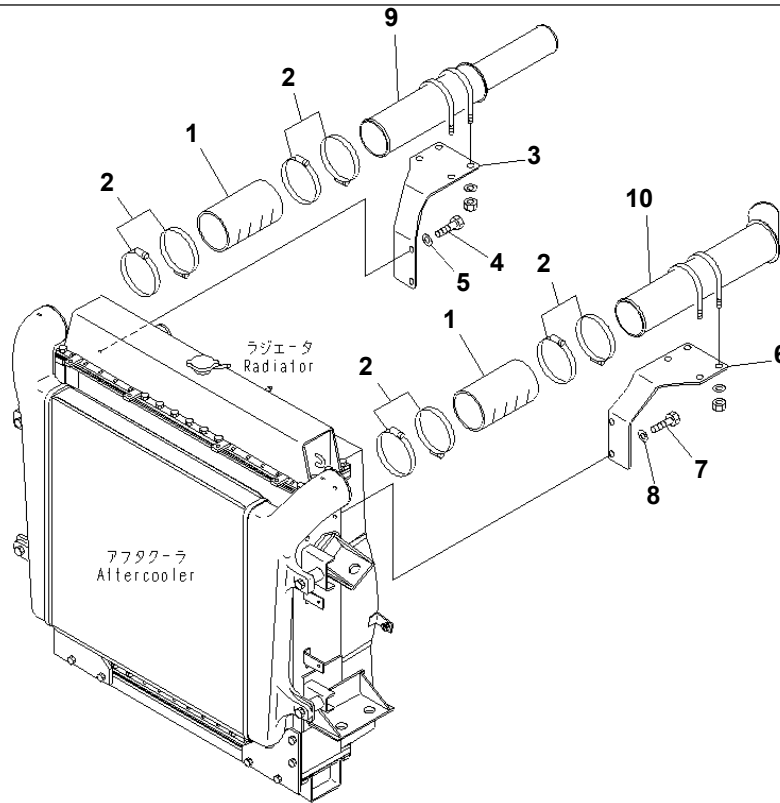
Page 060020

**HM300-1L S/N A10001-UP  
RADIATOR (BAFFLE AND FAN NET)**

Item	Part No.	Description	Qty	Options
24		TUBE,(SEE FIG. C0120-01A0)		SN:A10001--,KIT-FLAG:_



HM300-1L S/N A10001-UP  
00073741



00073741

Ref. C0110-03A0

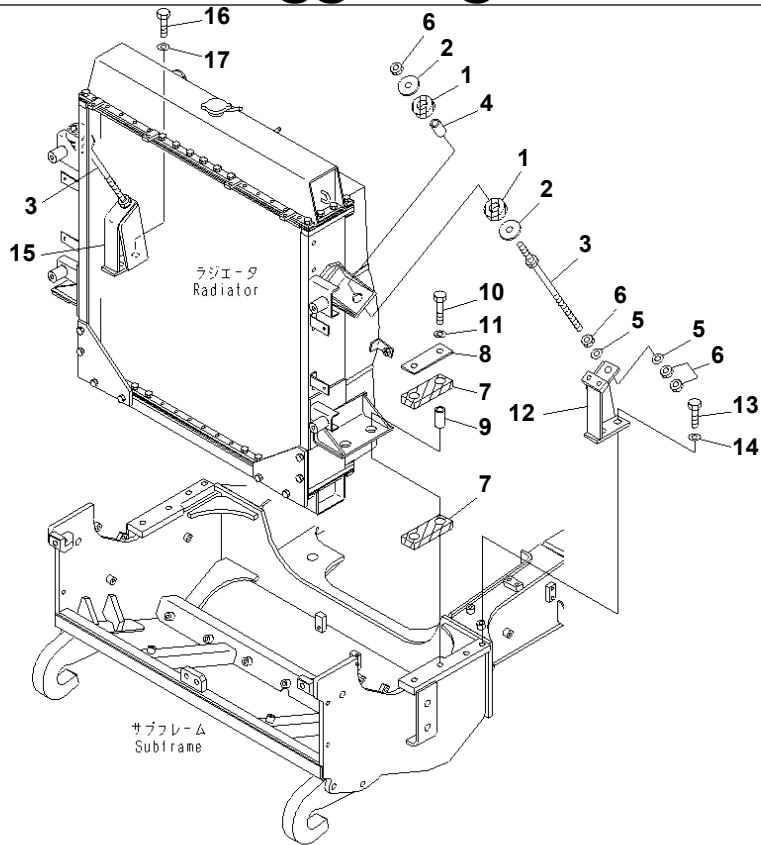
Page 060030

HM300-1L S/N A10001-UP  
RADIATOR (AIR INTAKE PIPING)

Item	Part No.	Description	Qty	Options
1	566-02-6E141	HOSE	2	SN:A10001--,KIT-FLAG:_
2	6212-11-4840	CLAMP	8	SN:A10001--,KIT-FLAG:_
3	56D-02-12231	BRACKET	1	SN:A10001--,KIT-FLAG:_
4	01010-81030	BOLT	2	SN:A10001--,KIT-FLAG:_
5	01643-31032	WASHER	2	SN:A10001--,KIT-FLAG:_
6	56D-02-12241	BRACKET	1	SN:A10001--,KIT-FLAG:_
7	01010-81030	BOLT	2	SN:A10001--,KIT-FLAG:_
8	01643-31032	WASHER	2	SN:A10001--,KIT-FLAG:_
9		TUBE,(SEE FIG. J3410-01A0)		SN:A10001--,KIT-FLAG:_
10		TUBE,(SEE FIG. J3410-01A0)		SN:A10001--,KIT-FLAG:_

Ref. C0110-03A0

Page 060030

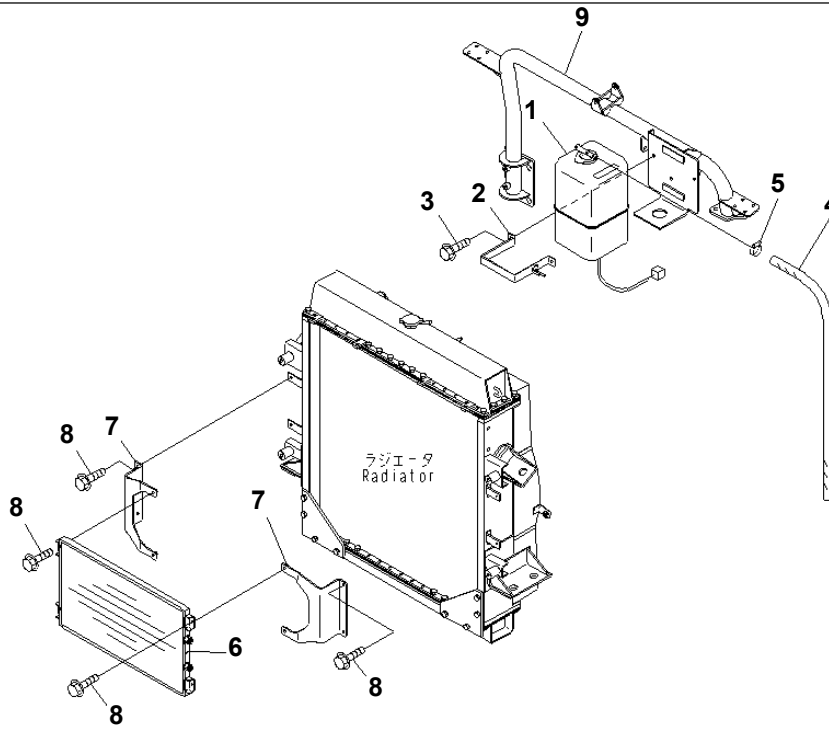


PW2C978

HM300-1L S/N A10001-UP  
RADIATOR (MOUNTING PARTS)

Item	Part No.	Description	Qty	Options
1	285-03-11160	CUSHION	4	SN:A10001--,KIT-FLAG:_
2	285-03-11170	PLATE	4	SN:A10001--,KIT-FLAG:_
3	569-03-42340	ROD	2	SN:A10001--,KIT-FLAG:_
4	283-04-12330	SPACER	2	SN:A10001--,KIT-FLAG:_
5	01643-31645	WASHER	4	SN:A10001--,KIT-FLAG:_
6	01582-11613	NUT	8	SN:A10001--,KIT-FLAG:_
7	285-03-11120	CUSHION	4	SN:A10001--,KIT-FLAG:_
8	285-03-11140	PLATE	2	SN:A10001--,KIT-FLAG:_
9	285-03-11150	SPACER	4	SN:A10001--,KIT-FLAG:_
10	01010-81680	BOLT	4	SN:A10001--,KIT-FLAG:_
11	01643-31645	WASHER	4	SN:A10001--,KIT-FLAG:_
12	56D-03-11711	BRACKET	1	SN:A10001--,KIT-FLAG:_
13	01010-81630	BOLT	2	SN:A10001--,KIT-FLAG:_
14	01643-31645	WASHER	2	SN:A10001--,KIT-FLAG:_
15	56D-03-11721	BRACKET	1	SN:A10001--,KIT-FLAG:_
16	01010-81630	BOLT	2	SN:A10001--,KIT-FLAG:_
17	01643-31645	WASHER	2	SN:A10001--,KIT-FLAG:_

HM300-1L S/N A10001-UP  
00073742



00073742

Ref. C0110-05A0

Page 060050

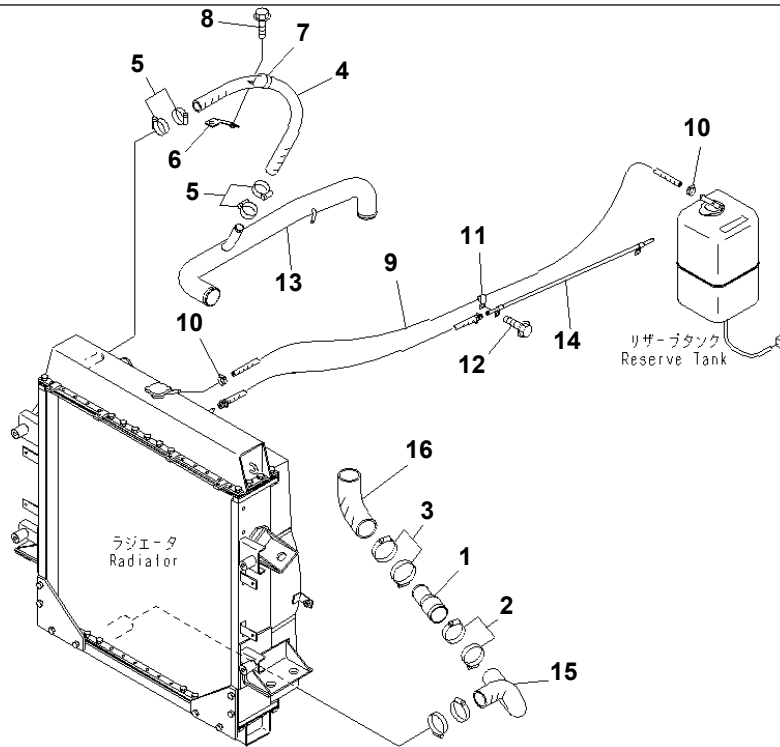
HM300-1L S/N A10001-UP  
RADIATOR (RESERVE TANK)

Item	Part No.	Description	Qty	Options
1	56D-03-11410	TANK	1	SN:A10001--,KIT-FLAG:_
	421-03-22170	・ CAP	1	SN:A10001--,KIT-FLAG:_
2	423-03-11340	BRACKET	1	SN:A10001--,KIT-FLAG:_
3	01435-00825	BOLT	2	SN:A10001--,KIT-FLAG:_
4	56B-03-11630	TUBE	1	SN:A10001--,KIT-FLAG:_
5	07281-10167	CLAMP	1	SN:A10001--,KIT-FLAG:_
6	20Y-979-6130	CONDENSER ASS'Y	1	SN:A10001--,KIT-FLAG:_
7	56D-07-12711	BRACKET	2	SN:A10001--,KIT-FLAG:_
8	01435-00816	BOLT	8	SN:A10001--,KIT-FLAG:_
9		BRACKET,(SEE FIG. M3141-02A0)		SN:A10022--,KIT-FLAG:_
		BRACKET,(SEE FIG. M3141-02A0)		

Ref. C0110-05A0

Page 060050

HM300-1L S/N A10001-UP  
00082632



00082632

Ref. C0120-01A0

Page 060060

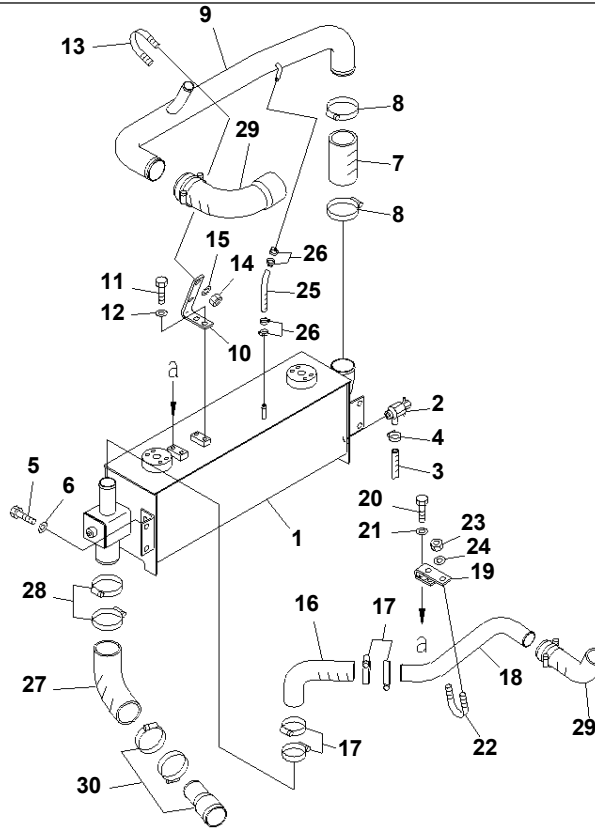
HM300-1L S/N A10001-UP  
COOLANT LINE

Item	Part No.	Description	Qty	Options
1	56D-03-11910	TUBE	1	SN:A10001--,KIT-FLAG:_
2	07299-00055	CLAMP	2	SN:A10001--,KIT-FLAG:_
3	07299-00070	CLAMP	2	SN:A10001--,KIT-FLAG:_
4	56B-03-11850	HOSE	1	SN:A10001--,KIT-FLAG:_
5	07281-10419	CLAMP	4	SN:A10001--,KIT-FLAG:_
6	56D-03-11930	BRACKET	1	SN:A10001--,KIT-FLAG:_
7	566-03-12620	CLAMP	1	SN:A10001--,KIT-FLAG:_
8	01435-01016	BOLT	1	SN:A10001--,KIT-FLAG:_
9	569-03-62411	HOSE	1	SN:A10001--,KIT-FLAG:_
10	07281-10167	CLAMP	2	SN:A10001--,KIT-FLAG:_
11	04434-51410	CLIP	1	SN:A10001--,KIT-FLAG:_
12	01435-01014	BOLT	1	SN:A10001--,KIT-FLAG:_
13		TUBE,(SEE FIG. C0500-01A0)		SN:A10001--,KIT-FLAG:_
14		TUBE,(SEE FIG. B0110-01A0)		SN:A10001--,KIT-FLAG:_
15		HOSE,(SEE FIG. C0110-02A0)		SN:A10001--,KIT-FLAG:_
16		HOSE,(SEE FIG. C0500-01A0)		SN:A10001--,KIT-FLAG:_

Ref. C0120-01A0

Page 060060

**HM300-1L S/N A10001-UP  
00073744**



00073744

Ref. C0500-01A0

Page 060070

**HM300-1L S/N A10001-UP  
BRAKE OIL COOLER**

Item	Part No.	Description	Qty	Options
	56D-03-11301	OIL COOLER ASS'Y	1	SN:A10001--,KIT-FLAG:_
1	56D-03-11310	· OIL COOLER	1	SN:A10001--,KIT-FLAG:_
2	195-03-13241	· VALVE	1	SN:A10001--,KIT-FLAG:_
3	07270-01002	· TUBE	1	SN:A10001--,KIT-FLAG:_
4	07281-00167	· CLAMP	1	SN:A10001--,KIT-FLAG:_
5	01010-81225	BOLT	4	SN:A10001--,KIT-FLAG:_
6	01643-31232	WASHER	4	SN:A10001--,KIT-FLAG:_
7	421-03-11340	HOSE	1	SN:A10001--,KIT-FLAG:_
8	07299-00070	CLAMP	2	SN:A10001--,KIT-FLAG:_
9	56D-03-11681	TUBE	1	SN:A10001--,KIT-FLAG:_
10	56D-03-11793	BRACKET	1	SN:A10001--,KIT-FLAG:_
11	01010-81020	BOLT	2	SN:A10001--,KIT-FLAG:_
12	01643-31032	WASHER	2	SN:A10001--,KIT-FLAG:_
13	07283-36155	CLIP	1	SN:A10001--,KIT-FLAG:_
14	01597-01009	NUT	2	SN:A10001--,KIT-FLAG:_
15	01643-31032	WASHER	2	SN:A10001--,KIT-FLAG:_
16	416-03-12220	HOSE	1	SN:A10001--,KIT-FLAG:_
17	07299-00055	CLAMP	4	SN:A10001--,KIT-FLAG:_
18	56D-03-11890	TUBE	1	SN:A10001--,KIT-FLAG:_
19	56D-03-11761	BRACKET	1	SN:A10001--,KIT-FLAG:_
20	01010-81020	BOLT	2	SN:A10001--,KIT-FLAG:_
21	01643-31032	WASHER	2	SN:A10001--,KIT-FLAG:_
22	07283-34346	CLIP	1	SN:A10001--,KIT-FLAG:_
23	01597-01009	NUT	2	SN:A10001--,KIT-FLAG:_
24	01643-31032	WASHER	2	SN:A10001--,KIT-FLAG:_
25	09483-40303	HOSE	1	SN:A10001--,KIT-FLAG:_
26	07281-10197	CLAMP	4	SN:A10001--,KIT-FLAG:_

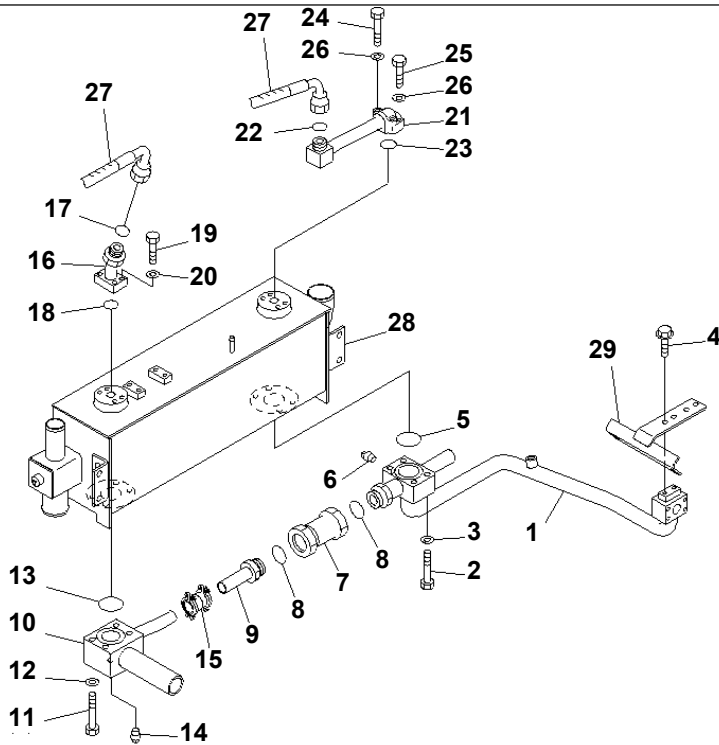
Ref. C0500-01A0

Page 060070

**HM300-1L S/N A10001-UP  
BRAKE OIL COOLER**

Item	Part No.	Description	Qty	Options
27	56D-03-11880	HOSE	1	SN:A10001--,KIT-FLAG:_
28	07299-00070	CLAMP	2	SN:A10001--,KIT-FLAG:_
29		HOSE,(SEE FIG. B0110-01A0)		SN:A10001--,KIT-FLAG:_
30		TUBE,(SEE FIG. C0120-01A0)		SN:A10001--,KIT-FLAG:_

HM300-1L S/N A10001-UP  
00073745



00073745

Ref. C0500-02A0

Page 060080

HM300-1L S/N A10001-UP  
BRAKE OIL COOLER PIPING

Item	Part No.	Description	Qty	Options
1	56D-61-12361	TUBE	1	SN:A10001--,KIT-FLAG:_
2	01010-81265	BOLT	4	SN:A10001--,KIT-FLAG:_
3	01643-31232	WASHER	4	SN:A10001--,KIT-FLAG:_
4	01435-01020	BOLT	2	SN:A10001--,KIT-FLAG:_
5	07000-F2060	O-RING	1	SN:A10001--,KIT-FLAG:_
6	07042-20108	PLUG	1	SN:A10001--,KIT-FLAG:_
7	56B-60-11500	VALVE ASS'Y	1	SN:A10001--,KIT-FLAG:_
8	07002-24234	O-RING	2	SN:A10001--,KIT-FLAG:_
9	56B-61-12441	TUBE	1	SN:A10001--,KIT-FLAG:_
10	56D-61-12541	TUBE	1	SN:A10001--,KIT-FLAG:_
11	01010-81285	BOLT	4	SN:A10001--,KIT-FLAG:_
12	01643-31232	WASHER	4	SN:A10001--,KIT-FLAG:_
13	07000-F2055	O-RING	1	SN:A10001--,KIT-FLAG:_
14	07042-20108	PLUG	1	SN:A10001--,KIT-FLAG:_
15	07332-00600	COUPLING ASS'Y	1	SN:A10001--,KIT-FLAG:_
	07332-50600	· GASKET	2	SN:A10001--,KIT-FLAG:_
	07332-60600	· CLAMP	2	SN:A10001--,KIT-FLAG:_
16	56D-61-11380	TUBE	1	SN:A10001--,KIT-FLAG:_
17	02896-21018	O-RING	1	SN:A10001--,KIT-FLAG:_
18	07000-F3030	O-RING	1	SN:A10001--,KIT-FLAG:_
19	07372-21035	BOLT	4	SN:A10001--,KIT-FLAG:_
20	01643-51032	WASHER	4	SN:A10001--,KIT-FLAG:_
21	56D-61-11390	TUBE	1	SN:A10001--,KIT-FLAG:_
22	02896-21018	O-RING	1	SN:A10001--,KIT-FLAG:_
23	07000-F3030	O-RING	1	SN:A10001--,KIT-FLAG:_
24	07372-21050	BOLT	2	SN:A10001--,KIT-FLAG:_
25	07372-21040	BOLT	2	SN:A10001--,KIT-FLAG:_

Ref. C0500-02A0

Page 060080

**HM300-1L S/N A10001-UP  
BRAKE OIL COOLER PIPING**

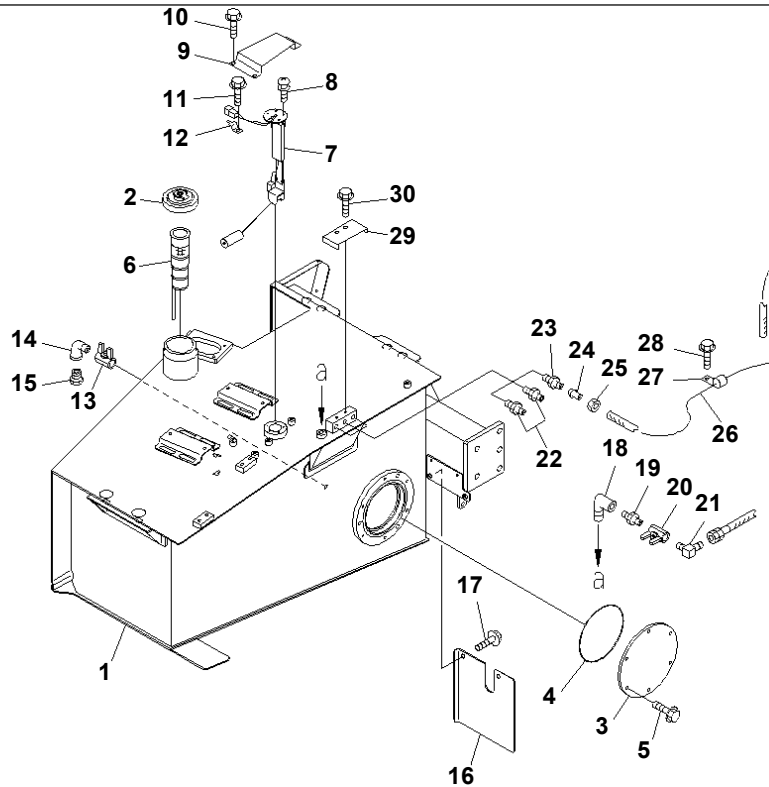
Item	Part No.	Description	Qty	Options
26 27 28 29	01643-51032	WASHER HOSE,(SEE FIG. H3410-03A0) OIL COOLER ASS'Y,(SEE FIG. C0500-01A0) BRACKET,(SEE FIG. H3511-01A0)	4	SN:A10001--,KIT-FLAG:_ SN:A10001--,KIT-FLAG:_ SN:A10001--,KIT-FLAG:_ SN:A10001--,KIT-FLAG:_



**HM300-1L S/N A10001-UP**  
**FUEL TANK AND RELATED PARTS**

Item	Description	Qty	Page
10	FUEL TANK AND RELATED PARTS	1	090010
20	FUEL TANK MOUNTING PARTS	1	090020
30	FUEL PIPING (WITH WATER SEPARATOR)	1	090030
40	WATER SEPARATOR (INNER PARTS)	1	090040

HM300-1L S/N A10001-UP  
00073746



00073746

Ref. D0100-01A0

Page 090010

HM300-1L S/N A10001-UP  
FUEL TANK AND RELATED PARTS

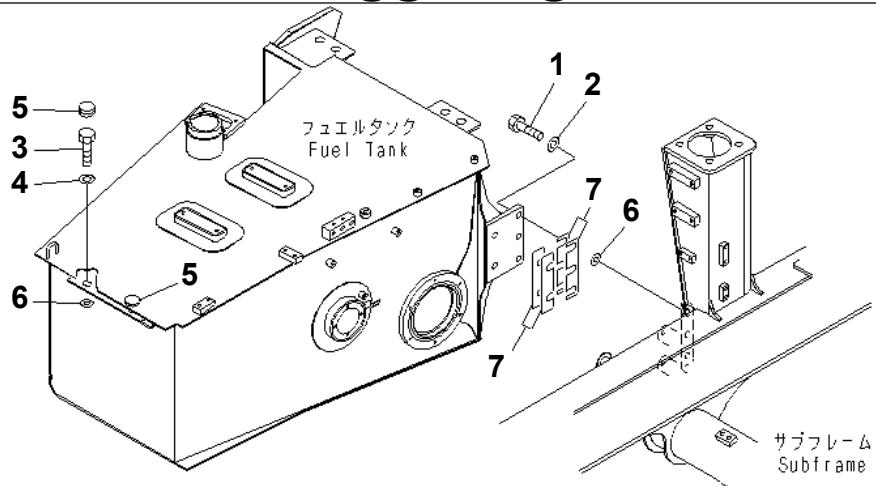
Item	Part No.	Description	Qty	Options
	56D-04-11102	TANK ASS'Y	1	SN:A10022--,KIT-FLAG:_
	56D-04-11101	TANK ASS'Y	1	SN:A10001--A10021,KIT-FLAG:_
1	56D-04-11113	· TANK	1	SN:A10022--,KIT-FLAG:_
	56D-04-11112	· TANK	1	SN:A10001--A10021,KIT-FLAG:_
2	423-04-11362	· CAP	1	SN:A10001--,KIT-FLAG:_
3	428-04-11120	· COVER	1	SN:A10001--,KIT-FLAG:_
4	07000-15200	· O-RING	1	SN:A10001--,KIT-FLAG:_
5	01435-01025	· BOLT	6	SN:A10001--,KIT-FLAG:_
6	22U-04-21241	STRAINER ASS'Y	1	SN:A10001--,KIT-FLAG:_
	22U-04-21240	· STRAINER ASS'Y	1	SN:A10001--,KIT-FLAG:_
7	56D-06-13620	SENSOR	1	SN:A10001--,KIT-FLAG:_
8	01023-10510	SCREW	5	SN:A10001--,KIT-FLAG:_
9	56D-04-11551	COVER	1	SN:A10001--,KIT-FLAG:_
10	01435-01016	BOLT	3	SN:A10001--,KIT-FLAG:_
11	01435-01016	BOLT	1	SN:A10001--,KIT-FLAG:_
12	08193-21012	CLIP	1	SN:A10001--,KIT-FLAG:_
13	07700-50240	VALVE	1	SN:A10001--,KIT-FLAG:_
14	281-43-18250	ELBOW	1	SN:A10001--,KIT-FLAG:_
15	56B-04-11190	ADAPTER	1	SN:A10001--,KIT-FLAG:_
16	56D-04-11570	COVER	1	SN:A10001--,KIT-FLAG:_
17	01435-01020	BOLT	2	SN:A10001--,KIT-FLAG:_
18	07323-30400	ELBOW	1	SN:A10001--,KIT-FLAG:_
19	07325-10400	NIPPLE	1	SN:A10001--,KIT-FLAG:_
20	07700-50455	VALVE	1	SN:A10001--,KIT-FLAG:_
21	566-35-14410	ELBOW	1	SN:A10001--,KIT-FLAG:_
22	07238-10315	CONNECTOR	2	SN:A10001--,KIT-FLAG:_
23	07836-00617	CONNECTOR	1	SN:A10001--,KIT-FLAG:_

Ref. D0100-01A0

Page 090010

**HM300-1L S/N A10001-UP  
FUEL TANK AND RELATED PARTS**

Item	Part No.	Description	Qty	Options
24	07831-00612	SLEEVE	1	SN:A10001--,KIT-FLAG:_
25	07832-00614	NUT	1	SN:A10001--,KIT-FLAG:_
26	07822-00619	TUBE	1	SN:A10001--,KIT-FLAG:_
27	04434-51010	CLIP	3	SN:A10001--,KIT-FLAG:_
28	01435-01014	BOLT	3	SN:A10001--,KIT-FLAG:_
29	566-04-13270	COVER	1	SN:A10001--,KIT-FLAG:_
30	01435-01016	BOLT	2	SN:A10001--,KIT-FLAG:_

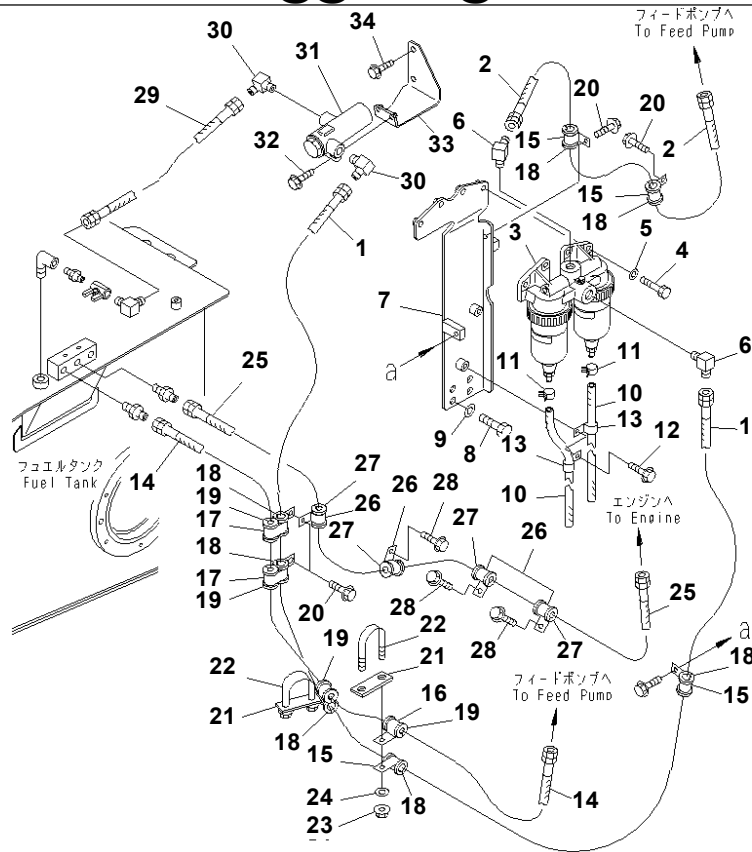


HM300-1L S/N A10001-UP  
FUEL TANK MOUNTING PARTS

Item	Part No.	Description	Qty	Options
1	01010-81650	BOLT	5	SN:A10001--,KIT-FLAG:_
2	01643-31645	WASHER	5	SN:A10001--,KIT-FLAG:_
3	01010-81635	BOLT	2	SN:A10001--,KIT-FLAG:_
4	01643-31645	WASHER	2	SN:A10001--,KIT-FLAG:_
5	09415-03614	CAP	2	SN:A10001--,KIT-FLAG:_
6	198-904-2750	SHIM, 1.0MM	10	SN:A10001--,KIT-FLAG:_
7	56B-04-11120	SHIM, 1.0MM	3	SN:A10001--,KIT-FLAG:_
	56B-04-11130	SHIM, 3.2MM	1	SN:A10001--,KIT-FLAG:_
	56B-04-11140	SHIM, 1.0MM	3	SN:A10001--,KIT-FLAG:_
	56B-04-11150	SHIM, 3.2MM	1	SN:A10001--,KIT-FLAG:_

HM300-1L S/N A10001-UP

@@2E392@



PJ2E392

Ref. D0200-01A1

Page 090030

HM300-1L S/N A10001-UP  
FUEL PIPING (WITH WATER SEPARATOR)

Item	Part No.	Description	Qty	Options
1	07621-00424	HOSE	1	SN:A10001--,KIT-FLAG:_
2	07621-00411	HOSE	1	SN:A10001--,KIT-FLAG:_
3		WATER SEPARATOR A.,(SEE FIG. D0200-51A1)	1	SN:A10001--,KIT-FLAG:_
4	01010-81030	BOLT	4	SN:A10001--,KIT-FLAG:_
5	01643-31032	WASHER	4	SN:A10001--,KIT-FLAG:_
6	566-35-14410	ELBOW	2	SN:A10001--,KIT-FLAG:_
7	56D-84-11110	BRACKET	1	SN:A10001--,KIT-FLAG:_
8	01010-81025	BOLT	4	SN:A10001--,KIT-FLAG:_
9	01643-31032	WASHER	4	SN:A10001--,KIT-FLAG:_
10	07286-00850	HOSE	2	SN:A10001--,KIT-FLAG:_
11	07285-00125	CLIP	2	SN:A10001--,KIT-FLAG:_
12	01435-01016	BOLT	1	SN:A10001--,KIT-FLAG:_
13	04434-51410	CLIP	2	SN:A10001--,KIT-FLAG:_
14	07621-00321	HOSE, 2000MM	1	SN:A10001--,KIT-FLAG:_
15	04434-52711	CLIP	6	SN:A10001--,KIT-FLAG:_
16	04434-52511	CLIP	2	SN:A10001--,KIT-FLAG:_
17	391-62-19250	CLIP	2	SN:A10001--,KIT-FLAG:_
18	566-06-41290	INSULATOR	8	SN:A10001--,KIT-FLAG:_
19	581-35-23540	INSULATOR	4	SN:A10001--,KIT-FLAG:_
20	01435-01016	BOLT	3	SN:A10001--,KIT-FLAG:_
21	281-70-15290	PLATE	4	SN:A10001--,KIT-FLAG:_
22	07283-34949	CLIP	4	SN:A10001--,KIT-FLAG:_
23	01597-01009	NUT	8	SN:A10001--,KIT-FLAG:_
24	424-09-12650	WASHER	8	SN:A10001--,KIT-FLAG:_
25	07621-00319	HOSE	1	SN:A10001--,KIT-FLAG:_
26	04434-52711	CLIP	4	SN:A10001--,KIT-FLAG:_
27	581-35-23540	INSULATOR	4	SN:A10001--,KIT-FLAG:_

Ref. D0200-01A1

Page 090030

**HM300-1L S/N A10001-UP  
FUEL PIPING (WITH WATER SEPARATOR)**

Item	Part No.	Description	Qty	Options
28	01435-01016	BOLT	3	SN:A10001--,KIT-FLAG:_
29	07621-00404	HOSE	1	SN:A10001--,KIT-FLAG:_
30	566-35-14410	ELBOW	2	SN:A10001--,KIT-FLAG:_
31	07058-20000	FILTER ASS'Y	1	SN:A10001--,KIT-FLAG:_
32	01435-00820	BOLT	2	SN:A10001--,KIT-FLAG:_
33	56D-04-11180	BRACKET	1	SN:A10001--,KIT-FLAG:_
34	01435-01020	BOLT	2	SN:A10001--,KIT-FLAG:_



**Download the full PDF manual instantly.**

**Our customer service e-mail:**

**[aservicemanualpdf@yahoo.com](mailto:aservicemanualpdf@yahoo.com)**