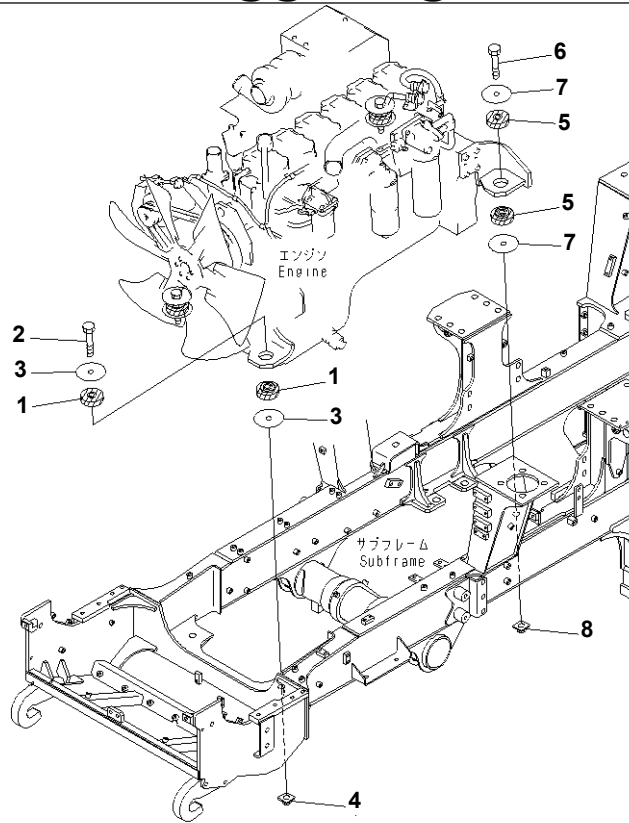


HM300-1 S/N 1001-UP
HM300-1 S/N 1001-UP

Item	Part Name
	SAA6D125E-3G-8W S/N 310314-UP
B0	ENGINE RELATED PARTS
C0	COOLING SYSTEM
D0	FUEL TANK AND RELATED PARTS
E0	ELECTRICAL SYSTEM
F0	POWER TRAIN
H0	HYDRAULIC SYSTEM
J0	MAIN FRAME AND RELATED PARTS
K0	OPERATOR'S COMPARTMENT AND CONTROL SYSTEM
L0	PLATFORM AND RELATED PARTS
M0	GUARD
S0	RIM AND TIRE
T0	BODY
U0	MARKS AND PLATES
V0	TOOL
W0	AIR CONDITIONER AND DRIVE SHAFT GUARD
Y0	SERVICE KIT AND COMPONENT PARTS

HM300-1 S/N 1001-UP
ENGINE RELATED PARTS

Item	Part Name	Qty
10	ENGINE MOUNTING	1
20	ENGINE HOSE	1
30	ENGINE PIPING (AIR INTAKE AND EXHAUST)	1
40	ENGINE PIPING (AIR INTAKE AND EXHAUST) (WITH EXHAUST BRAKE)(#1001-.)	1
50	ENGINE PIPING (AIR INTAKE AND EXHAUST) (WITH EXHAUST BRAKE)(#.-)	1
60	ENGINE HARNESS	1
70	AIR CONDITIONER AND HEATER (HEATER PIPING)	1
80	AIR CONDITIONER AND HEATER (AIR COMPRESSOR AND RELATED PARTS)(#1001-1015)	1
90	AIR CONDITIONER AND HEATER (AIR COMPRESSOR AND RELATED PARTS)(#1016-)	1
100	DAMPER	1



PW2C971

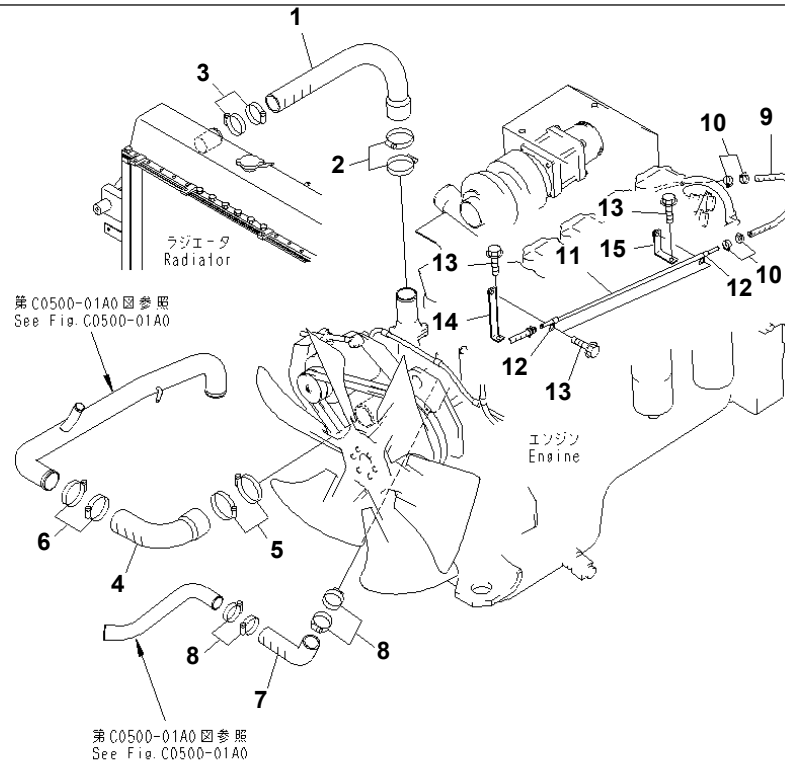
Ref. B0100-01A0

Page 030010

HM300-1 S/N 1001-UP
ENGINE MOUNTING

Item	Part No.	Part Name	Qty	Serial No.
1	425-01-11350	CUSHION	4	1001-
2	01011-62225	BOLT	2	1001-
3	424-01-11220	WASHER	4	1001-
4	425-01-11250	PLATE	2	1001-
5	425-01-11350	CUSHION	4	1001-
6	01011-62225	BOLT	2	1001-
7	424-01-11220	WASHER	4	1001-
8	425-01-11250	PLATE	2	1001-

HM300-1 S/N 1001-UP
00016743



00016743

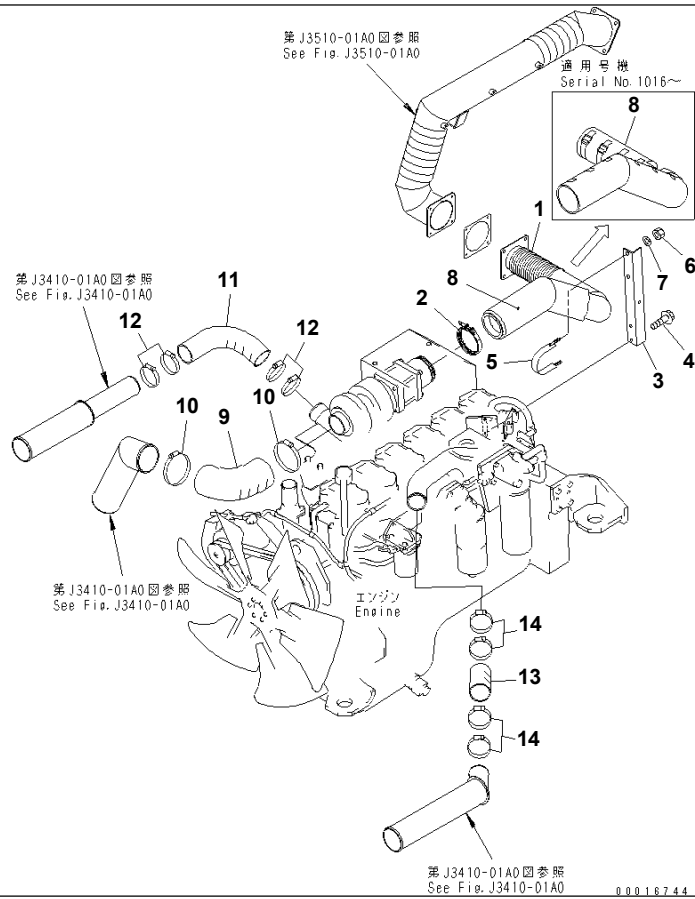
Ref. B0110-01A0

Page 030020

HM300-1 S/N 1001-UP
ENGINE HOSE

Item	Part No.	Part Name	Qty	Serial No.
1	56D-03-11611	HOSE	1	1001-
2	07299-00055	CLAMP	2	1016-
3	□07289-00055	CLAMP	2	1001-1015
	07299-00070	CLAMP	2	1016-
4	□07289-00070	CLAMP	2	1001-1015
	56D-03-11621	HOSE	1	1001-
5	07299-00080	CLAMP	2	1016-
	□07289-00080	CLAMP	2	1001-1015
6	07299-00070	CLAMP	2	1016-
	□07289-00070	CLAMP	2	1001-1015
7	56D-03-11632	HOSE	1	1001-
8	07299-00055	CLAMP	4	1016-
	□07289-00055	CLAMP	4	1001-1015
9	09483-40304	HOSE	1	1001-
10	07281-10197	CLAMP	4	1001-
11	56D-03-11920	TUBE	1	1001-
12	04434-51010	CLIP	2	1001-
13	01435-01016	BOLT	4	1001-
14	56D-03-11941	BRACKET	1	1001-
15	56D-03-11951	BRACKET	1	1001-

HM300-1 S/N 1001-UP
00016744



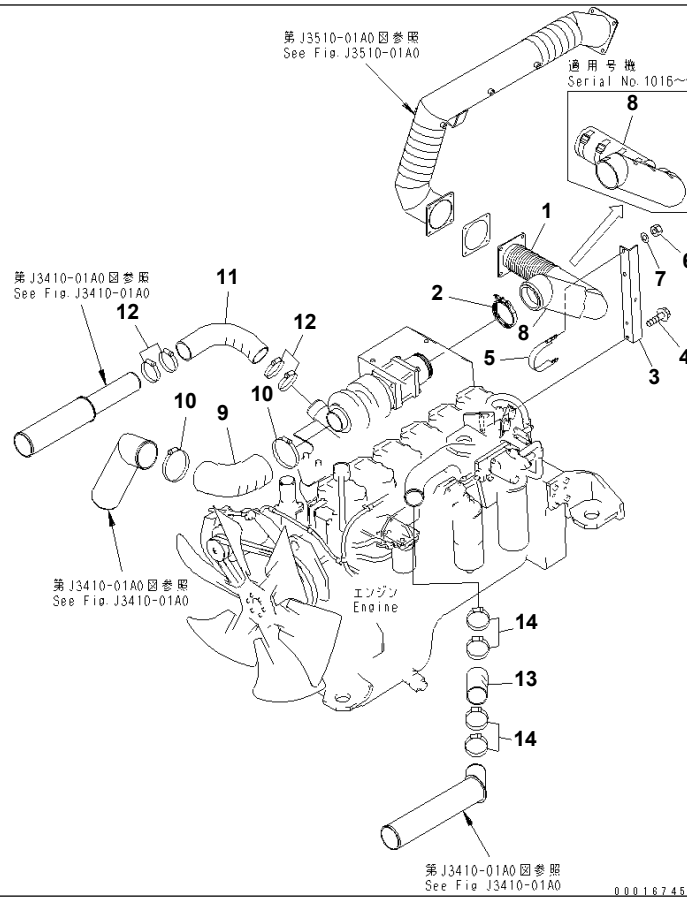
Ref. B0130-01A0

Page 030030

HM300-1 S/N 1001-UP
ENGINE PIPING (AIR INTAKE AND EXHAUST)

Item	Part No.	Part Name	Qty	Serial No.
1	56D-02-11410	TUBE	1	1001-
2	6151-11-5361	CLAMP	1	1001-
3	56D-02-11120	BRACKET	1	1001-
4	01435-01020	BOLT	2	1001-
5	56D-02-11810	CLAMP	1	1001-
6	01580-11008	NUT	2	1001-
7	01643-31032	WASHER	2	1001-
8	56D-02-11421	COVER	1	1016-
	56D-02-11420	COVER	1	1001-1015
9	56D-02-12310	HOSE	1	1072-
	569-02-6E140	HOSE	1	1001-1071
10	07289-00120	CLAMP	2	1016-
	□07289-00105	CLAMP	2	1001-1015
11	6152-12-4930	HOSE	1	1001-
12	07299-00080	CLAMP	3	1016-
	□07289-00080	CLAMP	4	1001-1015
13	56D-02-12330	HOSE	1	1072-
	56D-02-12250	HOSE	1	1001-1071
14	07299-00080	CLAMP	4	1016-
	□07289-00080	CLAMP	4	1001-1015

HM300-1 S/N 1001-UP
00016745



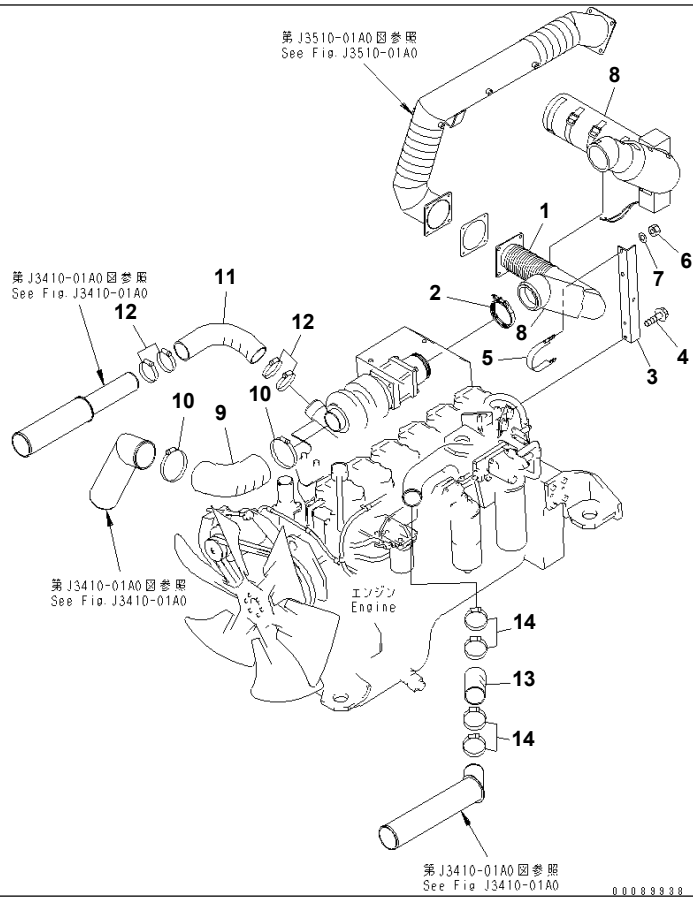
Ref. B0130-01A1

Page 030040

HM300-1 S/N 1001-UP
ENGINE PIPING (AIR INTAKE AND EXHAUST) (WITH EXHAUST
BRAKE)(#1001-.)

Item	Part No.	Part Name	Qty	Serial No.
1	56D-02-11112	TUBE	1	.-@
	□56D-02-11111	TUBE	1	1001-.
2	6151-11-5361	CLAMP	1	1001-@
3	56D-02-11120	BRACKET	1	1001-@
4	01435-01020	BOLT	2	1001-@
5	56D-02-11810	CLAMP	1	1001-@
6	01580-11008	NUT	2	1001-@
7	01643-31032	WASHER	2	1001-@
8	56D-02-11132	COVER	1	1016-.
	56D-02-11131	COVER	1	1001-1015
9	56D-02-12310	HOSE	1	1072-@
	569-02-6E140	HOSE	1	1001-1071
10	07289-00120	CLAMP	2	1016-@
	□07289-00105	CLAMP	2	1001-1015
11	6152-12-4930	HOSE	1	1001-@
12	07299-00080	CLAMP	3	1016-@
	□07289-00080	CLAMP	4	1001-1015
13	56D-02-12330	HOSE	1	1072-@
	56D-02-12250	HOSE	1	1001-1071
14	07299-00080	CLAMP	4	1016-@
	□07289-00080	CLAMP	4	1001-1015

HM300-1 S/N 1001-UP
00089938



Ref. B0130-01A1A

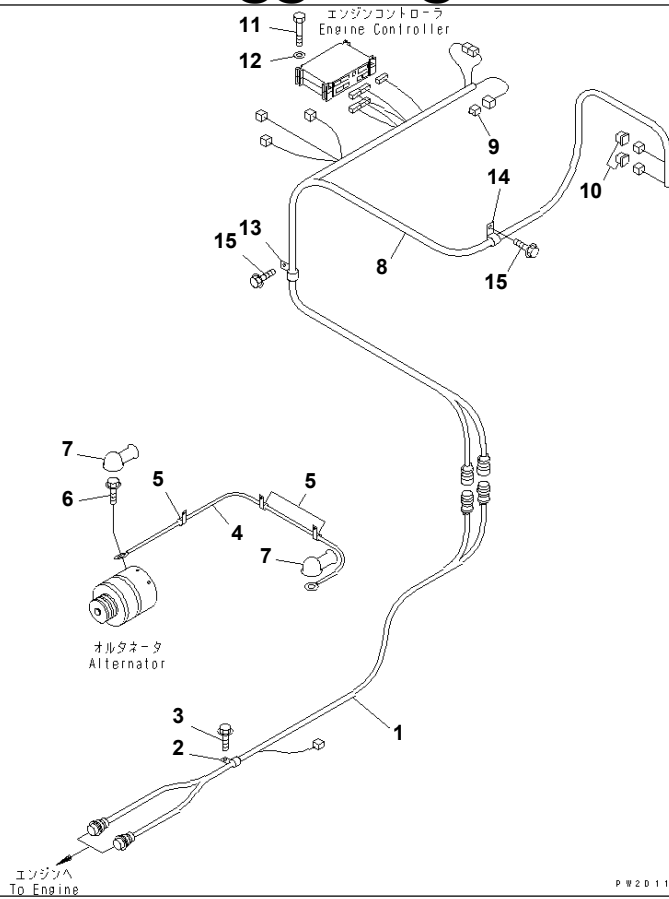
Page 030050

HM300-1 S/N 1001-UP
ENGINE PIPING (AIR INTAKE AND EXHAUST) (WITH EXHAUST BRAKE)(#.-)

Item	Part No.	Part Name	Qty	Serial No.
1	56D-02-11112	TUBE	1	.-
2	6151-11-5361	CLAMP	1	1001-
3	56D-02-11120	BRACKET	1	1001-
4	01435-01020	BOLT	2	1001-
5	56D-02-11810	CLAMP	1	1001-
6	01580-11008	NUT	2	1001-
7	01643-31032	WASHER	2	1001-
8	56D-02-11133	COVER	1	.-
9	56D-02-12310	HOSE	1	1072-
10	07289-00120	CLAMP	2	1016-
11	6152-12-4930	HOSE	1	1001-
12	07299-00080	CLAMP	3	1016-
13	56D-02-12330	HOSE	1	1072-
14	07299-00080	CLAMP	4	1016-

HM300-1 S/N 1001-UP

@@2D114@



PW20114

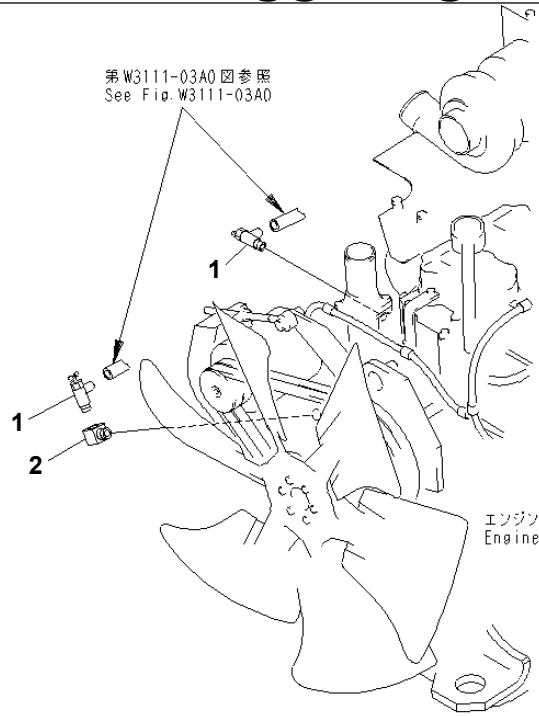
Ref. B0140-01A0

Page 030060

HM300-1 S/N 1001-UP
ENGINE HARNESS

Item	Part No.	Part Name	Qty	Serial No.
1	56D-06-11462	WIRING HARNESS,ENGINE	1	1001-
2	04434-52711	CLIP	1	1001-
3	01435-01016	BOLT	1	1001-
4	56D-06-14530	CABLE	1	1001-
5	08036-00814	CLIP	3	1001-
6	01435-01016	BOLT	1	1001-
7	08038-02027	CAP	2	1001-
8	56B-06-16441	WIRING HARNESS,CAB	1	1001-1015
9	56D-06-16450	CONNECTOR	1	1001-1015
10	569-06-61960	RELAY	2	1001-1015
11	01010-80885	BOLT	4	1001-1015
12	01643-30823	WASHER	4	1001-1015
13	08036-03014	CLIP	1	1001-1015
14	08036-00814	CLIP	1	1001-1015
15	01435-01016	BOLT	2	1001-1015

HM300-1 S/N 1001-UP
@@2D115@



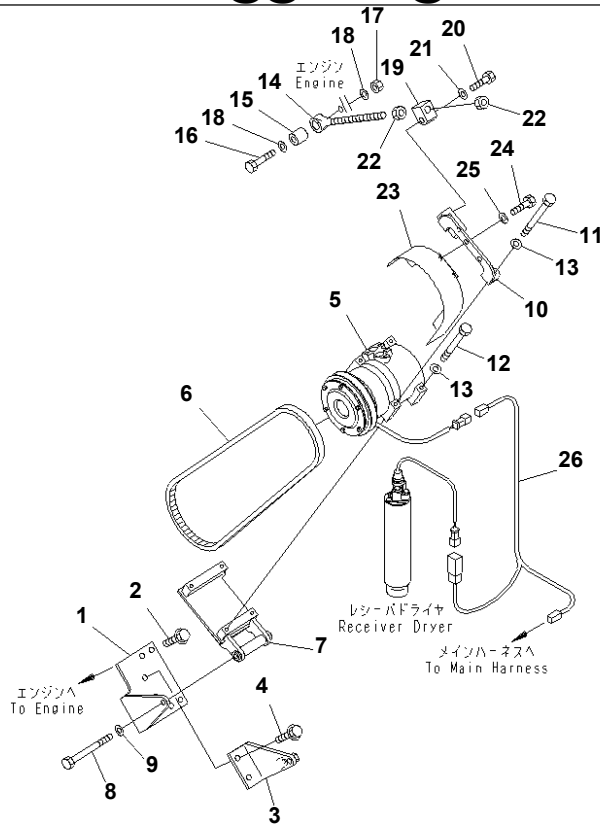
Ref. B0150-01A0

P.W20115

Page 030070

HM300-1 S/N 1001-UP
AIR CONDITIONER AND HEATER (HEATER PIPING)

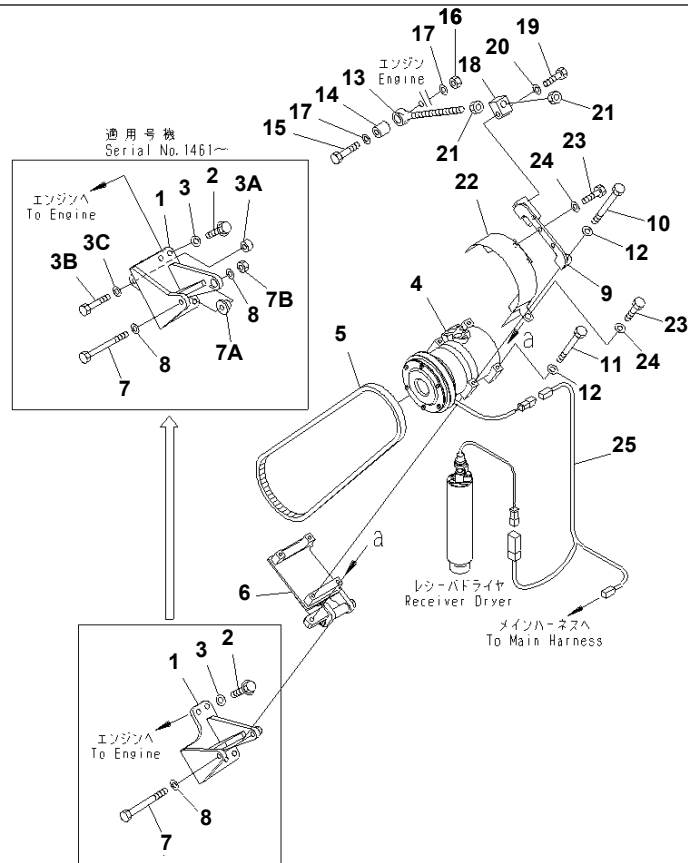
Item	Part No.	Part Name	Qty	Serial No.
1	09482-10000	VALVE	2	1001-
2	565-44-15380	ELBOW	1	1001-



HM300-1 S/N 1001-UP
AIR CONDITIONER AND HEATER (AIR COMPRESSOR AND RELATED PARTS)(#1001-1015)

Item	Part No.	Part Name	Qty	Serial No.
1	56D-07-12761	BRACKET	1	1001-1015
2	01435-01025	BOLT	4	1001-1015
3	567-07-73341	BRACKET	1	1001-1015
4	01435-01035	BOLT	2	1001-1015
5	421-07-31220	COMPRESSOR ASS'Y	1	1001-@
6	04120-21760	V-BELT	1	1001-@
7	56D-07-12771	BRACKET	1	1001-1015
8	125-70-21210	BOLT	1	1001-@
9	01643-31232	WASHER	1	1001-@
10	56D-07-12781	BRACKET	1	1001-1015
11	6132-11-6460	BOLT	2	1001-@
12	01010-80885	BOLT	2	1001-1015
13	01643-30823	WASHER	4	1001-@
14	6150-82-8610	ROD	1	1001-1015
15	6215-81-6150	PIN	1	1001-@
16	01010-81260	BOLT	1	1001-@
17	01580-11210	NUT	1	1001-@
18	01643-31232	WASHER	2	1001-@
19	6150-82-8690	PLATE	1	1001-1015
20	01010-81255	BOLT	1	1001-@
21	01643-31232	WASHER	1	1001-@
22	01580-01411	NUT	2	1001-1015
23	56D-07-12821	COVER	1	1001-1015
24	01010-81025	BOLT	2	1001-1015
25	01643-31032	WASHER	2	1001-1015
26	56D-06-11441	WIRING HARNESS	1	1001-@

HM300-1 S/N 1001-UP
00016746



00016746

Ref. B0150-02A0A

Page 030090

HM300-1 S/N 1001-UP
AIR CONDITIONER AND HEATER (AIR COMPRESSOR AND RELATED PARTS)(#1016-)

Item	Part No.	Part Name	Qty	Serial No.
1	56D-07-12763	BRACKET,(SEE SERVICE NEWS)	1	1016-
	(☒56D-07-12762)	BRACKET	1	(1016-1460)
2	01010-81035	BOLT	4	1016-
	(☒01010-81030)	BOLT	4	(1016-1460)
3	01643-31032	WASHER	4	1016-
3A	418-09-11130	SPACER	1	1461-
3B	01010-81050	BOLT	1	1461-
3C	01643-31032	WASHER	1	1461-
4	421-07-31221	COMPRESSOR ASS'Y	1	1453-
	421-07-31220	COMPRESSOR ASS'Y	1	1001-1452
5	04120-21760	V-BELT	1	1001-
6	56D-07-12774	BRACKET,(SEE SERVICE NEWS)	1	1504-
	56D-07-12773	BRACKET,(SEE SERVICE NEWS)	1	1016-1503
	(☒56D-07-12772)	BRACKET	1	(1016-1460)
7	125-70-21210	BOLT	1	1001-
7A	566-07-6A580	COLLAR	1	1461-
7B	01580-11210	NUT	1	1461-
8	01643-31232	WASHER	2	1001-
9	56D-07-12782	BRACKET	1	1016-
10	6132-11-6460	BOLT	2	1001-
11	01010-80880	BOLT	2	1016-
12	01643-30823	WASHER	2	1001-
13	6240-81-8610	ROD	1	1016-
14	6215-81-6150	PIN	1	1001-
15	01010-81260	BOLT	1	1001-
16	01643-31232	WASHER	1	1173-
	01580-11210	NUT	1	1001-
17	01643-31232	WASHER	2	1001-

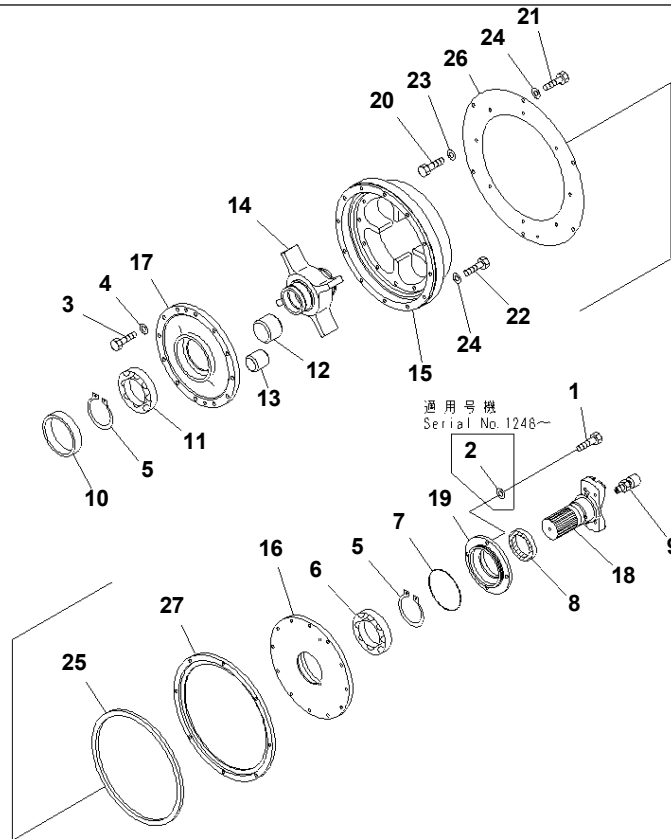
Reference:B0150-02A0A

Page:030090

HM300-1 S/N 1001-UP
AIR CONDITIONER AND HEATER (AIR COMPRESSOR AND RELATED
PARTS)(#1016-)

Item	Part No.	Part Name	Qty	Serial No.
18	56D-07-12791	PLATE	1	1016-
19	01010-81255	BOLT	1	1001-
20	01643-31232	WASHER	1	1001-
21	01580-01613	NUT	2	1016-
22	56D-07-12822	COVER	2	1016-
23	01010-81025	BOLT	3	1016-
24	01643-31032	WASHER	3	1016-
25	56D-06-11441	WIRING HARNESS	1	1001-

HM300-1 S/N 1001-UP
00035960



00035960

Ref. B0600-01A0

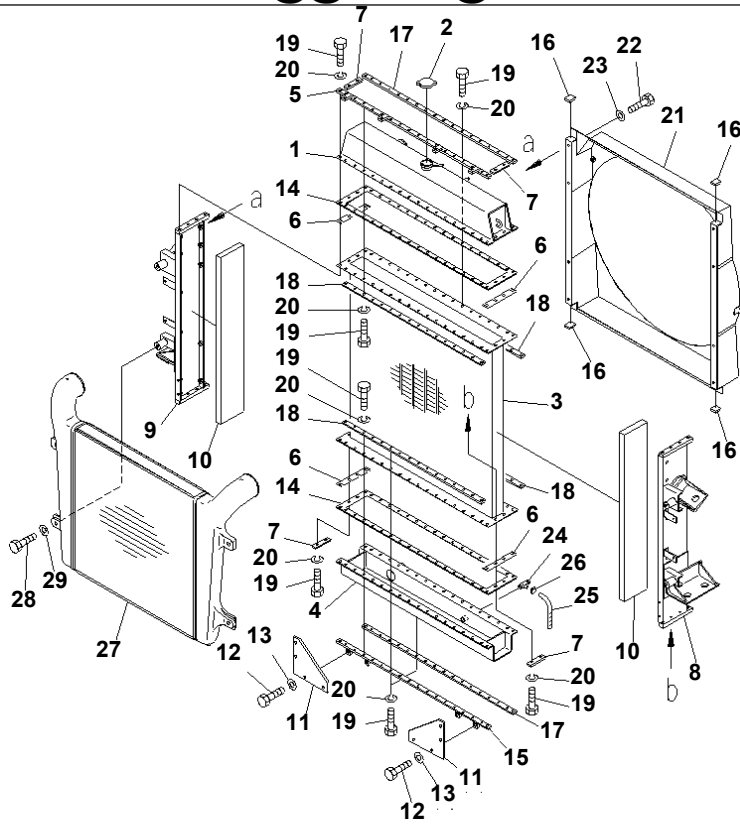
Page 030100

HM300-1 S/N 1001-UP
DAMPER

Item	Part No.	Part Name	Qty	Serial No.
1	01010-61030	BOLT	2	1248-
	01010-61025	BOLT	2	1001-1247
2	01643-31032	WASHER	2	1248-
3	01010-31090	BOLT	12	1001-
4	01643-31032	WASHER	12	1001-
5	04064-08530	RING,SNAP	2	1001-
6	06040-06017	BEARING	1	1001-
7	07000-12125	O-RING	1	1001-
8	07012-00070	SEAL	1	1001-
9	07030-01030	BREATHER	1	1001-
10	07046-47020	PLUG	1	1001-
11	421-12-12220	BEARING	1	1001-
12	421-12-12271	RUBBER	4	1001-
13	421-12-12372	RUBBER	4	1001-
14	421-12-12730	BODY	1	1001-
15	567-01-72140	BODY,OUTER	1	1001-
16	421-12-12752	FLANGE	1	1001-
17	421-12-12762	FLANGE	1	1001-
18	421-12-12770	SHAFT	1	1001-
19	421-12-12790	COVER	1	1001-
20	01010-60816	BOLT	8	1001-
21	01010-61020	BOLT	6	1001-
22	01010-31060	BOLT	12	1001-
23	01643-30823	WASHER	8	1001-
24	01643-31032	WASHER	18	1001-
25	421-12-12241	SEAL	1	1001-
26	421-12-12783	COVER	1	1001-
27	421-12-12230	PLATE	1	1001-

**HM300-1 S/N 1001-UP
COOLING SYSTEM**

Item	Part Name	Qty
10	RADIATOR AND AFTER COOLER	1
20	RADIATOR (BAFFLE AND FAN NET)	1
30	RADIATOR (AIR INTAKE PIPING)	1
40	RADIATOR (MOUNTING PARTS)	1
50	RADIATOR (RESERVE TANK)	1
60	RADIATOR (RESERVE TANK) (WITHOUT AIR CONDITONER)	1
70	COOLANT LINE	1
80	BRAKE OIL COOLER	1
90	BRAKE OIL COOLER PIPING	1



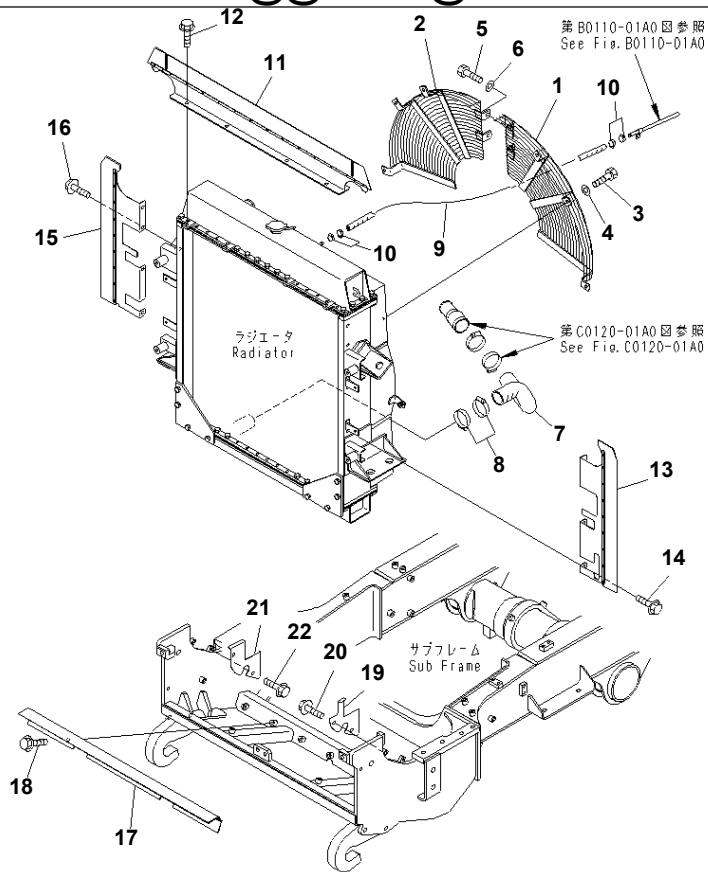
P W 2 C 9 7 5

HM300-1 S/N 1001-UP
RADIATOR AND AFTER COOLER

Item	Part No.	Part Name	Qty	Serial No.
	56D-03-11102	RADIATOR ASS'Y	1	1274-
	56D-03-11101	RADIATOR ASS'Y	1	1001-1273
	56D-03-11202	· RADIATOR ASS'Y	1	1274-
	56D-03-11201	· RADIATOR ASS'Y	1	1001-1273
1	56D-03-11141	· · TANK,UPPER	1	1274-
	56D-03-11140	· · TANK,UPPER	1	1001-1273
2	23W-03-21260	· · CAP	1	1001-
3	56D-03-11130	· · CORE	1	1001-
4	56D-03-11150	· · TANK,LOWER	1	1001-
5	56D-03-11210	· · PLATE	1	1001-
6	56D-03-11240	· · SHIM, 0.6MM	1	1001-
7	56D-03-11230	· · PLATE	4	1001-
8	56D-03-11160	· · SUPPORT	1	1001-
9	56D-03-11170	· · SUPPORT	1	1001-
10	56D-03-11271	· · SEAT	2	1274-
	56D-03-11270	· · SEAT	2	1001-1273
11	56D-03-11260	· · PLATE	2	1001-
12	01010-81035	· · BOLT	8	1001-
13	01643-31232	· · WASHER	8	1001-
14	56D-03-11250	· · GASKET	2	1001-
15	23D-03-11220	· · BAR	1	1001-
16	56D-03-11280	· · SEAT	4	1001-
17	56D-03-11180	· · PLATE	2	1001-
18	56D-03-11190	· · PLATE	4	1001-
19	01010-81035	· · BOLT	80	1001-
20	01602-21030	· · WASHER	80	1001-
21	56D-03-11121	· · SHROUD	1	1001-
22	01010-81020	· · BOLT	8	1001-
23	01643-31032	· · WASHER	8	1001-

HM300-1 S/N 1001-UP
RADIATOR AND AFTER COOLER

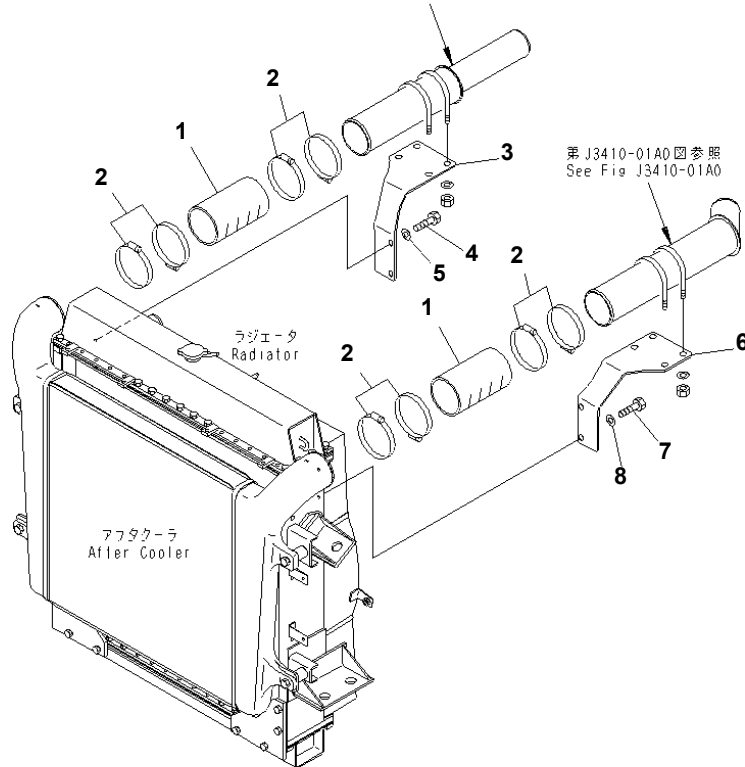
Item	Part No.	Part Name	Qty	Serial No.
24	195-03-13241	· · VALVE	1	1001-
25	07270-01007	· · TUBE	1	1001-
26	07281-00167	· · CLAMP	1	1001-
27	6156-61-5200	· AFTERCOOLER ASS'Y	1	1001-
28	01010-81040	· BOLT	4	1001-
29	01643-31032	· WASHER	4	1001-



PW2C976

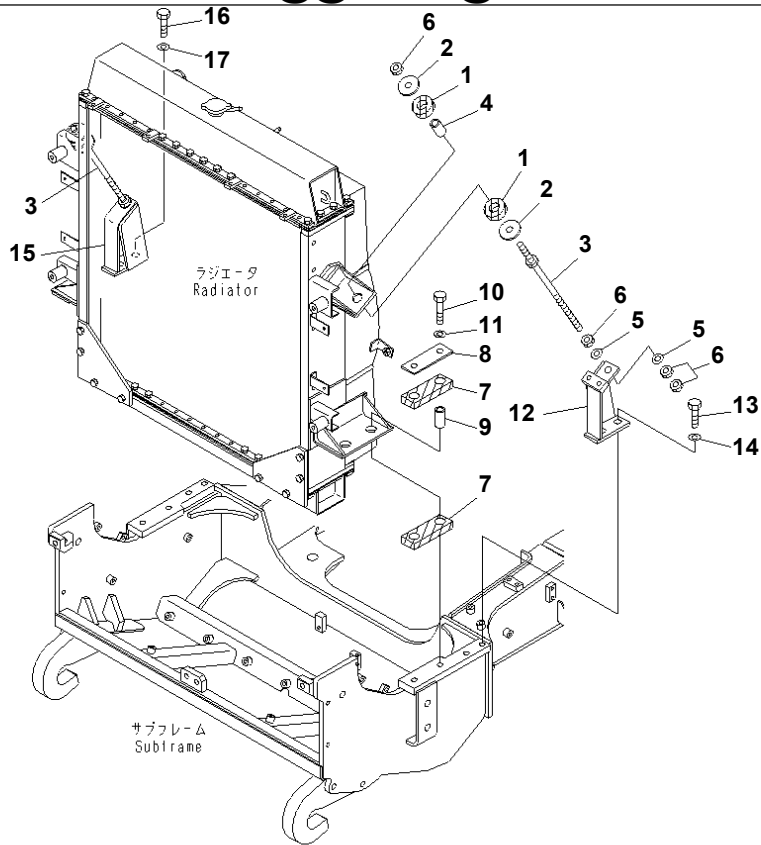
HM300-1 S/N 1001-UP
RADIATOR (BAFFLE AND FAN NET)

Item	Part No.	Part Name	Qty	Serial No.
1	56D-03-11482	COVER	1	1078-
	56D-03-11481	COVER	1	1001-1077
2	56D-03-11492	COVER	1	1078-
	56D-03-11491	COVER	1	1001-1077
3	01010-81025	BOLT	6	1001-
4	01643-31032	WASHER	6	1001-
5	01010-81025	BOLT	2	1001-
6	01643-31032	WASHER	2	1001-
7	56D-03-11651	HOSE	1	1001-
8	07299-00055	CLAMP	2	1016-
	□07289-00055	CLAMP	2	1001-1015
9	09483-40307	HOSE	1	1001-
10	07281-10197	CLAMP	4	1001-
11	56D-03-11811	BAFFLE	1	1001-
	04400-00414	・ RIVET	16	1001-
12	01435-01020	BOLT	4	1001-
13	56D-03-11822	BAFFLE	1	1001-
	04400-00414	・ RIVET	9	1001-
14	01435-01020	BOLT	4	1001-
15	56D-03-11832	BAFFLE	1	1001-
	04400-00414	・ RIVET	7	1001-
16	01435-01020	BOLT	4	1001-
17	56D-03-11841	BAFFLE	1	1001-
	04400-00414	・ RIVET	13	1001-
18	01435-01016	BOLT	4	1001-
19	56D-03-11852	PLATE	1	1001-
20	01435-01016	BOLT	2	1001-
21	56D-03-11861	PLATE	1	1001-
22	01435-01016	BOLT	2	1001-



HM300-1 S/N 1001-UP
RADIATOR (AIR INTAKE PIPING)

Item	Part No.	Part Name	Qty	Serial No.
1	566-02-6E141	HOSE	2	1001-
2	07299-00105	CLAMP	8	1024-
	6212-11-4840	CLAMP	8	1001-1023
3	56D-02-12231	BRACKET	1	1001-
4	01010-81030	BOLT	2	1001-
5	01643-31032	WASHER	2	1001-
6	56D-02-12241	BRACKET	1	1001-
7	01010-81030	BOLT	2	1001-
8	01643-31032	WASHER	2	1001-

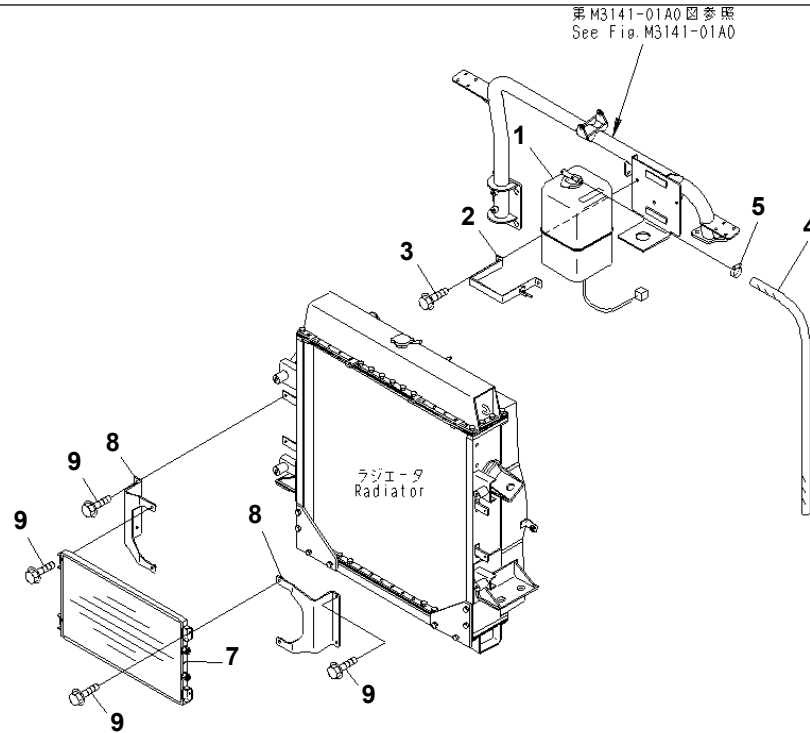


PW2C978

HM300-1 S/N 1001-UP
RADIATOR (MOUNTING PARTS)

Item	Part No.	Part Name	Qty	Serial No.
1	285-03-11160	CUSHION	4	1001-
2	285-03-11170	PLATE	4	1001-
3	569-03-42340	ROD	2	1001-
4	283-04-12330	SPACER	2	1001-
5	01643-31645	WASHER	4	1001-
6	01582-11613	NUT	8	1001-
7	285-03-11120	CUSHION	4	1001-
8	285-03-11140	PLATE	2	1001-
9	285-03-11150	SPACER	4	1001-
10	01010-81680	BOLT	4	1001-
11	01643-31645	WASHER	4	1001-
12	56D-03-11711	BRACKET	1	1001-
13	01010-81630	BOLT	2	1001-
14	01643-31645	WASHER	2	1001-
15	56D-03-11721	BRACKET	1	1001-
16	01010-81630	BOLT	2	1001-
17	01643-31645	WASHER	2	1001-

HM300-1 S/N 1001-UP
00002157



00002157

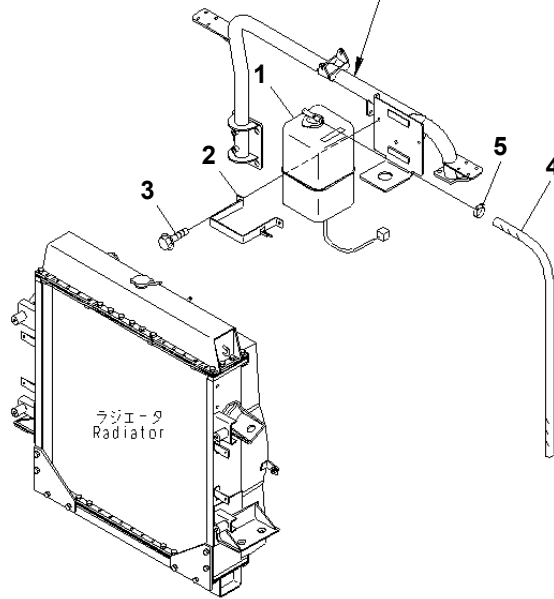
Ref. C0110-05A0

Page 060050

HM300-1 S/N 1001-UP
RADIATOR (RESERVE TANK)

Item	Part No.	Part Name	Qty	Serial No.
1	56D-03-11410	TANK	1	1001-
	421-03-22170	・ CAP	1	1001-
2	423-03-11340	BRACKET	1	1001-
3	01435-00825	BOLT	2	1001-
4	418-03-21230	HOSE	1	1096-
	56B-03-11630	TUBE	1	1001-1095
5	07281-10167	CLAMP	1	1001-
7	20Y-979-6131	CONDENSER ASS'Y	1	1198-
	20Y-979-6130	CONDENSER ASS'Y	1	1001-1197
8	56D-07-12711	BRACKET	2	1001-
9	01435-00816	BOLT	8	1001-

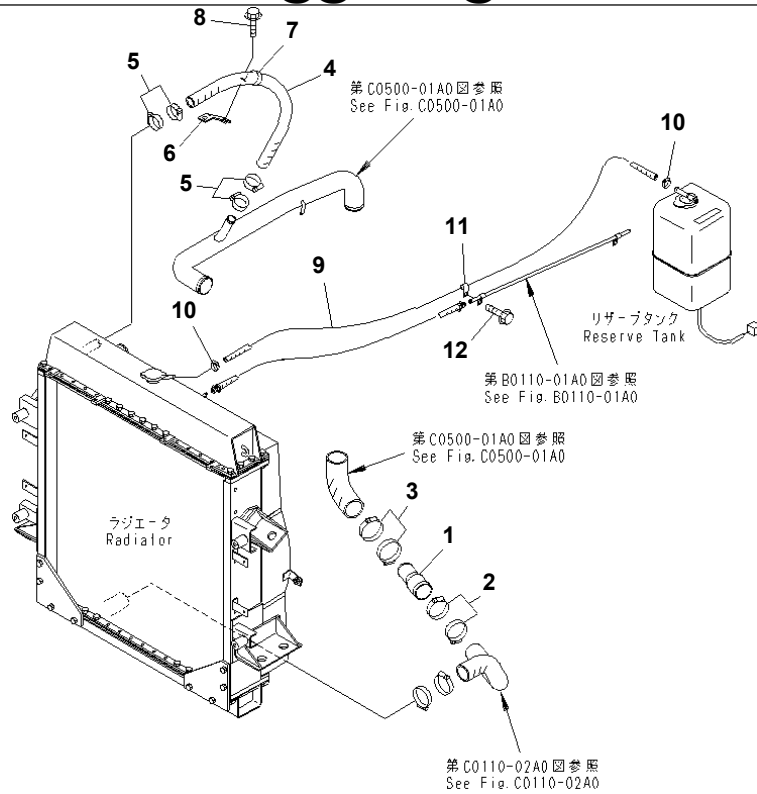
第 M3141-01A0 図参照
See Fig. M3141-01A0



00002158

HM300-1 S/N 1001-UP
RADIATOR (RESERVE TANK) (WITHOUT AIR CONDITONER)

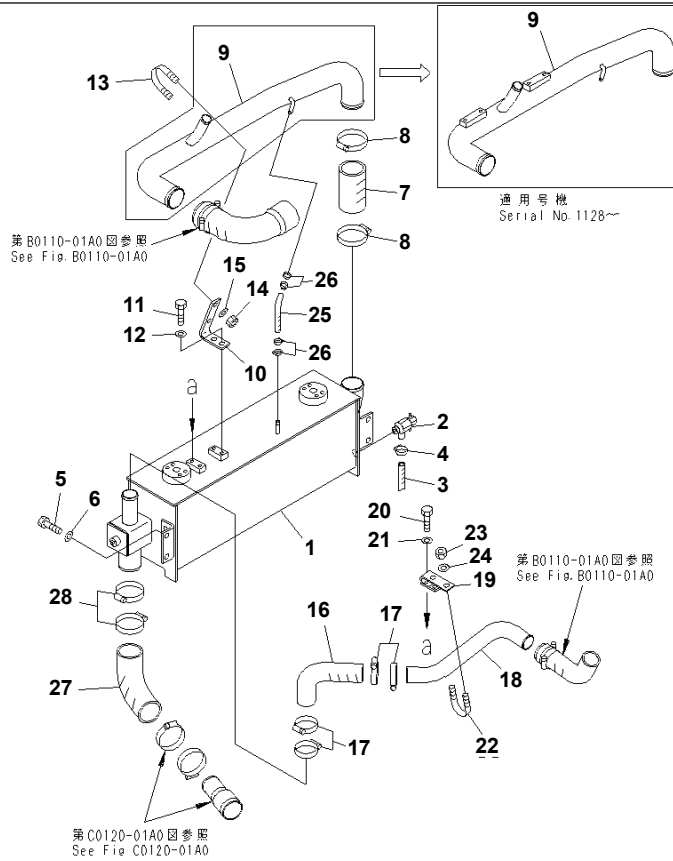
Item	Part No.	Part Name	Qty	Serial No.
1	56D-03-11410	TANK	1	1001-
	421-03-22170	・ CAP	1	1001-
2	423-03-11340	BRACKET	1	1001-
3	01435-00825	BOLT	2	1001-
4	418-03-21230	HOSE	1	1096-
	56B-03-11630	TUBE	1	1001-1095
5	07281-10167	CLAMP	1	1001-



HM300-1 S/N 1001-UP
COOLANT LINE

Item	Part No.	Part Name	Qty	Serial No.
1	56D-03-11910	TUBE	1	1001-
2	07299-00055	CLAMP	2	1016-
	□07289-00055	CLAMP	2	1001-1015
3	07299-00070	CLAMP	2	1016-
	□07289-00070	CLAMP	2	1001-1015
4	56B-03-11850	HOSE	1	1001-
5	07281-10419	CLAMP	4	1001-
6	56D-03-11930	BRACKET	1	1001-
7	566-03-12620	CLAMP	1	1001-
8	01435-01016	BOLT	1	1001-
9	569-03-62411	HOSE	1	1001-
10	07281-10167	CLAMP	2	1001-
11	04434-51410	CLIP	1	1001-
12	01435-01014	BOLT	1	1001-

HM300-1 S/N 1001-UP
00035961



00035961

Ref. C0500-01A0

Page 060080

HM300-1 S/N 1001-UP
BRAKE OIL COOLER

Item	Part No.	Part Name	Qty	Serial No.
	56D-03-11301	OIL COOLER ASS'Y	1	1001-
1	56D-03-11310	· OIL COOLER	1	1001-
2	195-03-13241	· VALVE	1	1001-
3	07270-01002	· TUBE	1	1001-
4	07281-00167	· CLAMP	1	1001-
5	01010-81225	BOLT	4	1001-
6	01643-31232	WASHER	4	1001-
7	421-03-11340	HOSE	1	1001-
8	07299-00070	CLAMP	2	1016-
	□07289-00070	CLAMP	2	1001-1015
9	56D-03-11682	TUBE	1	1128-
	56D-03-11681	TUBE	1	1001-1127
10	56D-03-11793	BRACKET	1	1001-
11	01010-81020	BOLT	2	1001-
12	01643-31032	WASHER	2	1001-
13	07283-36155	CLIP	1	1001-
14	01597-01009	NUT	2	1001-
15	01643-31032	WASHER	2	1001-
16	416-03-12220	HOSE	1	1001-
17	07299-00055	CLAMP	4	1016-
	□07289-00055	CLAMP	4	1001-1015
18	56D-03-11890	TUBE	1	1001-
19	56D-03-11761	BRACKET	1	1001-
20	01010-81020	BOLT	2	1001-
21	01643-31032	WASHER	2	1001-
22	07283-34346	CLIP	1	1001-
23	01597-01009	NUT	2	1001-
24	01643-31032	WASHER	2	1001-
25	09483-40303	HOSE	1	1001-



Download the full PDF manual instantly.

Our customer service e-mail:

aservicemanualpdf@yahoo.com