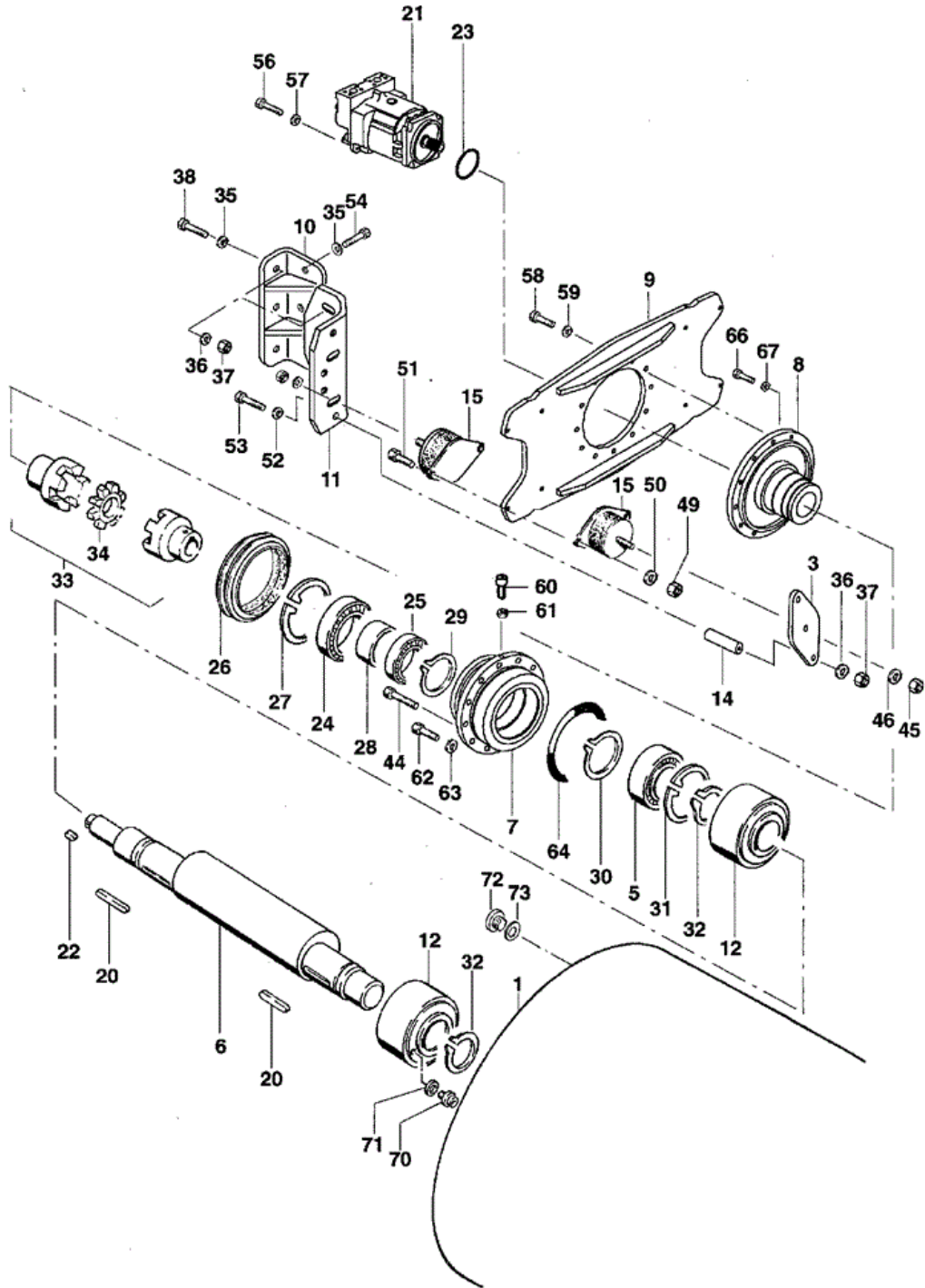




9802/4770 F1-1-1 SMOOTH DRUM D BUILD (FIG 1)

REXROTH



847410

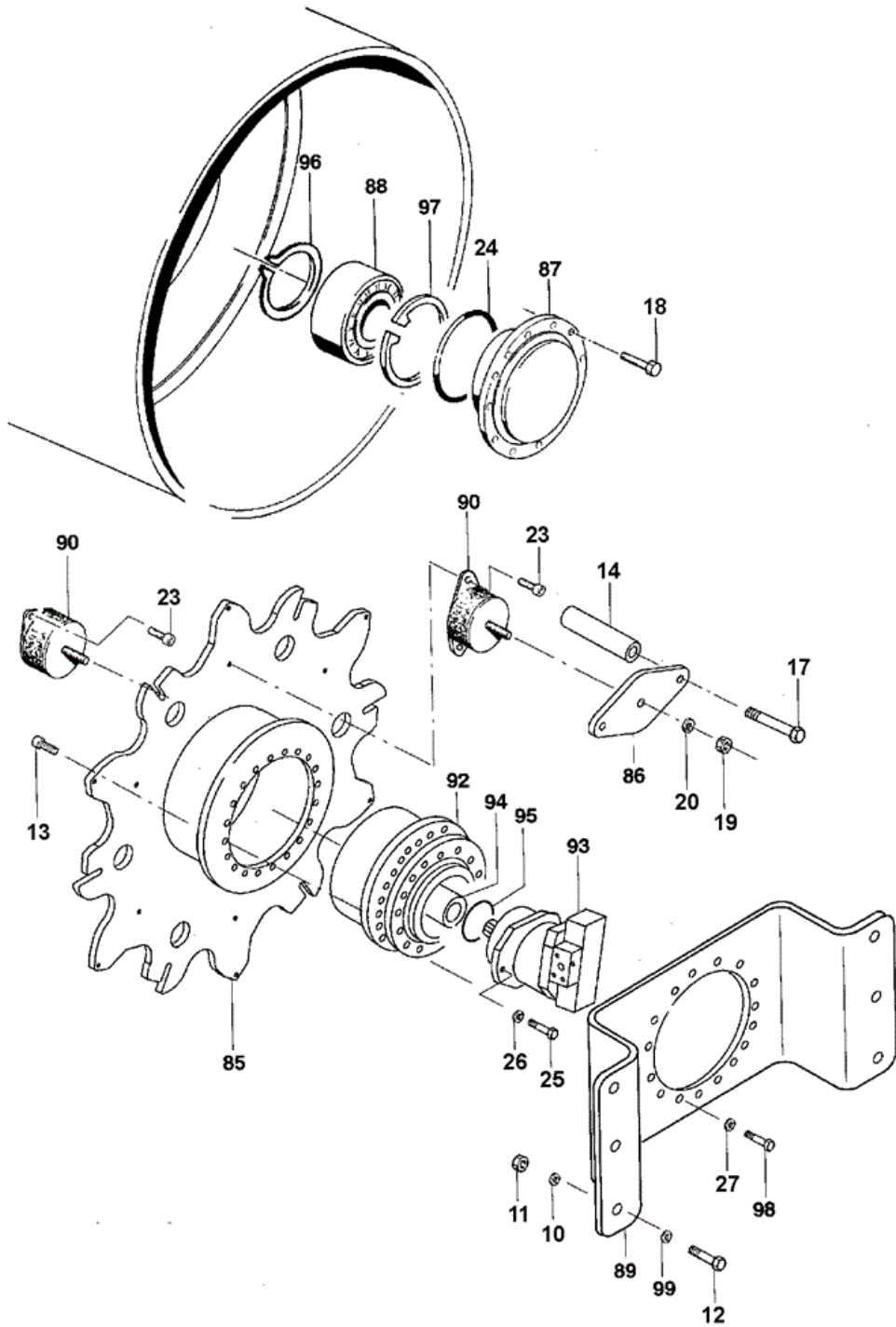
Item	Part #	Change No	Description	Usage Code	QTY
0A	****	Superseded	Drum assembly complete		1

0A	****		Drum smooth assembly <i>See page F1-1-20</i>	1
1	7240/10010		Drum	1
3	7240/10003		Plate	4
5	2712/06242		Bearing	1
6	7242/20201		Shaft exciter	1
7	7240/10039		Cover	1
8	7240/10008		Flange axle	1
9	7240/10009		Plate	1
10	7232/20130		Bracket	2
11	7232/20127		Bracket	2
12	7242/20202		Weight counterbalance	2
14	7240/10018		Spacer	8
15	4010/22019		Buffer Rubber	8
20	2314/12100		Key	2
21	7240/11400		Motor	1
22	2314/16045		Key	1
23	2772/10130		O Ring	1
24	2700/01340		Bearing	1
25	2700/01320		Bearing	1
26	2777/00027		Seal	1
27	2304/00260		Circlip	1
28	7240/10028		Sleeve	1
29	2305/00160		Circlip	1
30	2305/00120		Circlip	1
31	2304/00260		Circlip	1
32	2305/00155		Circlip	2
33	7240/10035		Coupling	1
34	7240/10036		Coupling	1
35	2208/00120		Washer Din 20	20
36	2203/10021		Washer	26
37	2118/32000		Nut M20	10
38	2020/20085		Screw Hexagon M20x85	12
39	2020/20070		Screw M20x70	6
44	2021/24080		Screw Hexagon M24x80	12
45	2118/41600		Nut M16	8
46	2203/10017		Washer	8
49	2118/41200		Nut M12	8
50	2201/00012		Washer M12	8
51	2027/12050		Capscrew M12 x 50mm	8
52	2806/00540		Washer	8
53	2020/20220		Screw Hexagon M20x220	8
56	2021/12035		Screw Hex M12x35	2
57	2201/00012		Washer M12	2
58	2021/16050		Screw Hexagon M16x50	12
59	2201/00016		Washer M16	12
60	2027/10016		Capscrew M10x16	1
61	2766/01013		Seal Copper Ring	2
62	2027/20030		Capscrew M20x30	1
63	2766/02130		Seal	2
64	2772/36770		O Ring	1

66	2528/01016		Breather		1
67	2766/01215		Seal		1
70	2506/01815		Plug		1
71	2766/01823		Seal		1
72	2502/00006		Plug		1
73	2766/01215		Seal		1

JCB 9802/4770 F1-1-10 SMOOTH DRUM D BUILD (FIG 2)

REXROTH



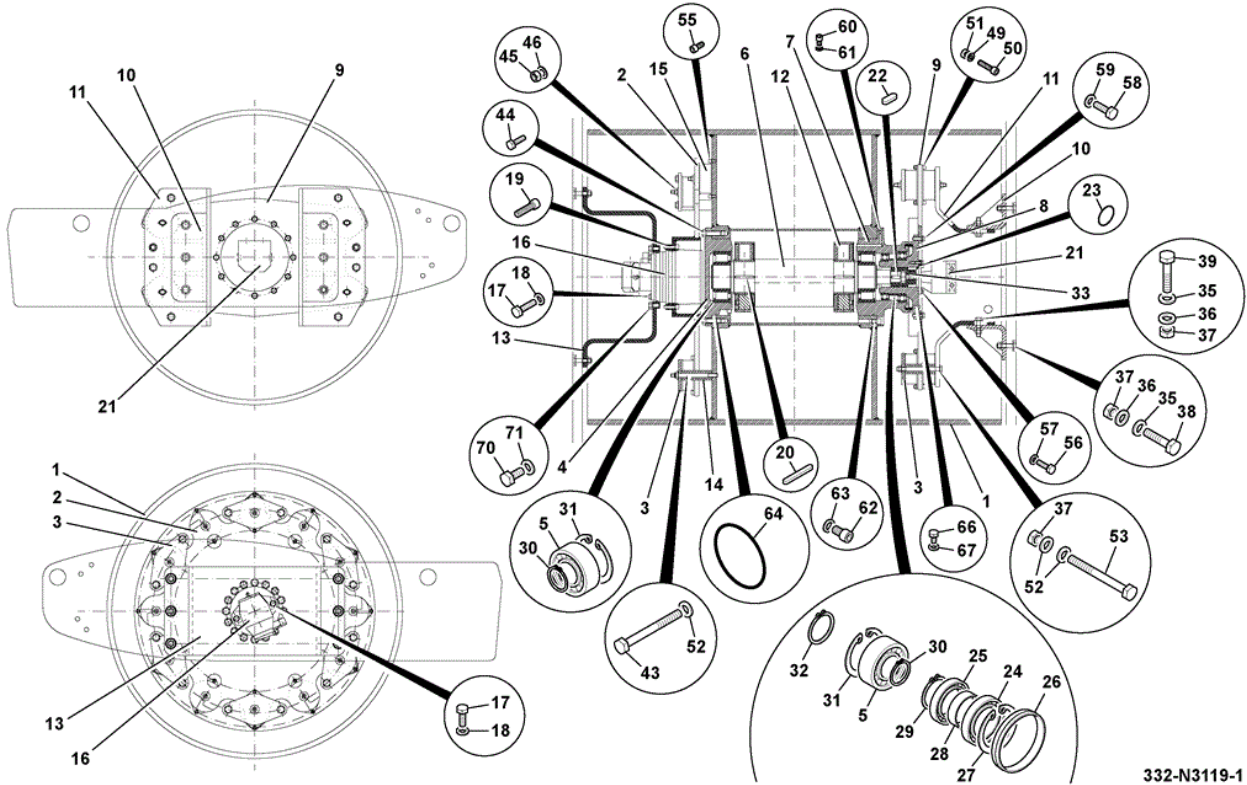
847420

Item	Part #	Change No	Description	Usage Code	QTY
0A	****	Superseded	Drum assembly complete		1

0A	****		Drum smooth assembly <i>See page F1-1-20</i>	0
10	2203/10021		Washer	6
11	2118/32000		Nut M20	6
12	2020/20085		Screw Hexagon M20x85	6
13	2027/16050		Capscrew M16x50	16
14	7240/10018		Spacer	12
17	2020/20200		Screw Hexagon M20x200	12
18	2021/24080		Screw Hexagon M24x80	12
19	2118/41600		Nut M16	12
20	2203/10017		Washer	12
23	2027/12025		Capscrew M12x25	24
24	2772/36770		O Ring	1
25	2021/16035		Screw Hexagon M16x35	2
26	2201/00016		Washer M16	2
27	2200/00068		Washer M20	16
85	7241/21630		Bracket	1
86	7240/10003		Plate	6
87	7240/10038		Cover	1
88	2712/06242		Bearing	1
89	7241/21602		Adapter	1
90	4010/22019		Buffer Rubber	12
92	7210/10300		Gearbox complete <i>See also E02-05-01</i>	1
93	7241/20250		Motor Variable Disp	1
93A	:7241/20330		Solenoid	1
94	7241/10201		Shaft	1
95	2772/15040		O Ring	1
96	2305/00120		Circlip	1
97	2304/00260		Circlip	1
98	2021/20050		Screw	16
99	2208/00120		Washer Din 20	6



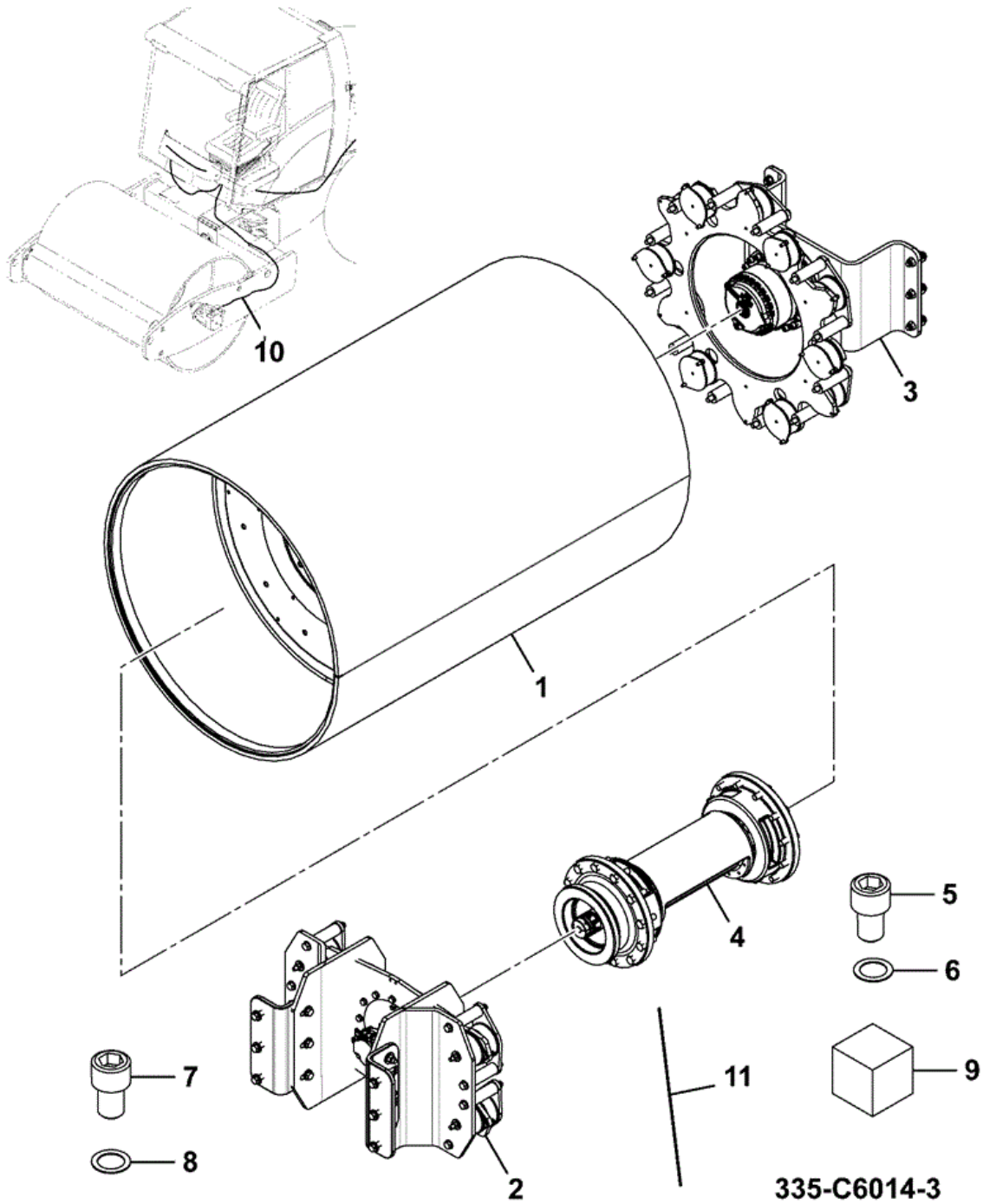
9802/4770 F1-1-20 SMOOTH DRUM D BUILD REXROTH



Item	Part #	Change No	Description	Usage Code	QTY
1	7240/10010		Drum		1
2	7241/21630		Bracket		1
3	7240/10003		Plate		10
4	7240/10038		Cover		1
5	2712/06262		Bearing		2
6	332/N3110		Shaft exciter		1
7	7240/10039		Cover		1
8	7240/10008		Flange axle		1
9	7240/10009		Plate		1
10	7232/20130		Bracket		2
11	7232/20127		Bracket		2
12	7242/20202		Weight counterbalance		2
13	7241/21602		Adapter		1
14	7240/10018		Spacer		20
15	332/N2465		Buffer rubber		20
16	8724110200		Motor		1
17	1315/0709Z		Bolt M16 x 35mm		2
18	1420/0011Z		Washer (M16)		26
19	2027/16050		Capscrew M16x50		16
20	2314/12100		Key		2
21	7240/11400		Motor		1
21A	:7240/11401		Kit-seal Fixed Displacement Hydro Motor		1

22	2314/16045		Key		1
23	2772/10130		O Ring		1
24	2700/01340		Bearing		1
25	2700/01320		Bearing		1
26	2777/00027		Seal		1
27	2304/00260		Circlip		3
28	7240/10028		Sleeve		1
29	2305/00160		Circlip		1
30	2305/00130		Circlip		2
31	2304/00280		Circlip		2
32	2305/00155		Circlip		1
33	7240/10035		Coupling		1
35	2208/00120		Washer Din 20		24
36	2203/10021		Washer		20
37	2118/32000		Nut M20		26
38	2020/20085		Screw Hexagon M20x85		18
43	1315/3830Z		Bolt M20 x 200		12
44	2021/24080		Screw Hexagon M24x80		24
45	2118/41600		Nut M16		20
46	2203/10017		Washer		20
49	1420/0009Z		Washer (M12)		8
50	2027/12050		Capscrew M12 x 50mm		8
51	2118/41200		Nut M12		8
52	2806/00540		Washer		28
53	1315/3831Z		Bolt		8
55	2027/12025		Capscrew M12x25		24
56	1315/0509Z		Setscrew M12 x 35mm		2
57	1420/0009Z		Washer (M12)		10
58	1315/0712Z		Bolt M16 x 50mm		12
59	1420/0011Z		Washer (M16)		12
60	2027/10016		Capscrew M10x16		1
61	2766/01013		Seal Copper Ring		2
62	2027/20030		Capscrew M20x30		1
63	2766/02130		Seal		2
64	2772/36770		O Ring		2
66	2528/01016		Breather		1
67	2766/01215		Seal		1
70	2027/20050		Capscrew M20x50		16
71	2200/00068		Washer M20		16
104	2883/27710		Hose		1
105	7260/10070		Lead front gearbox		1
106	8320/10025		Hose		0

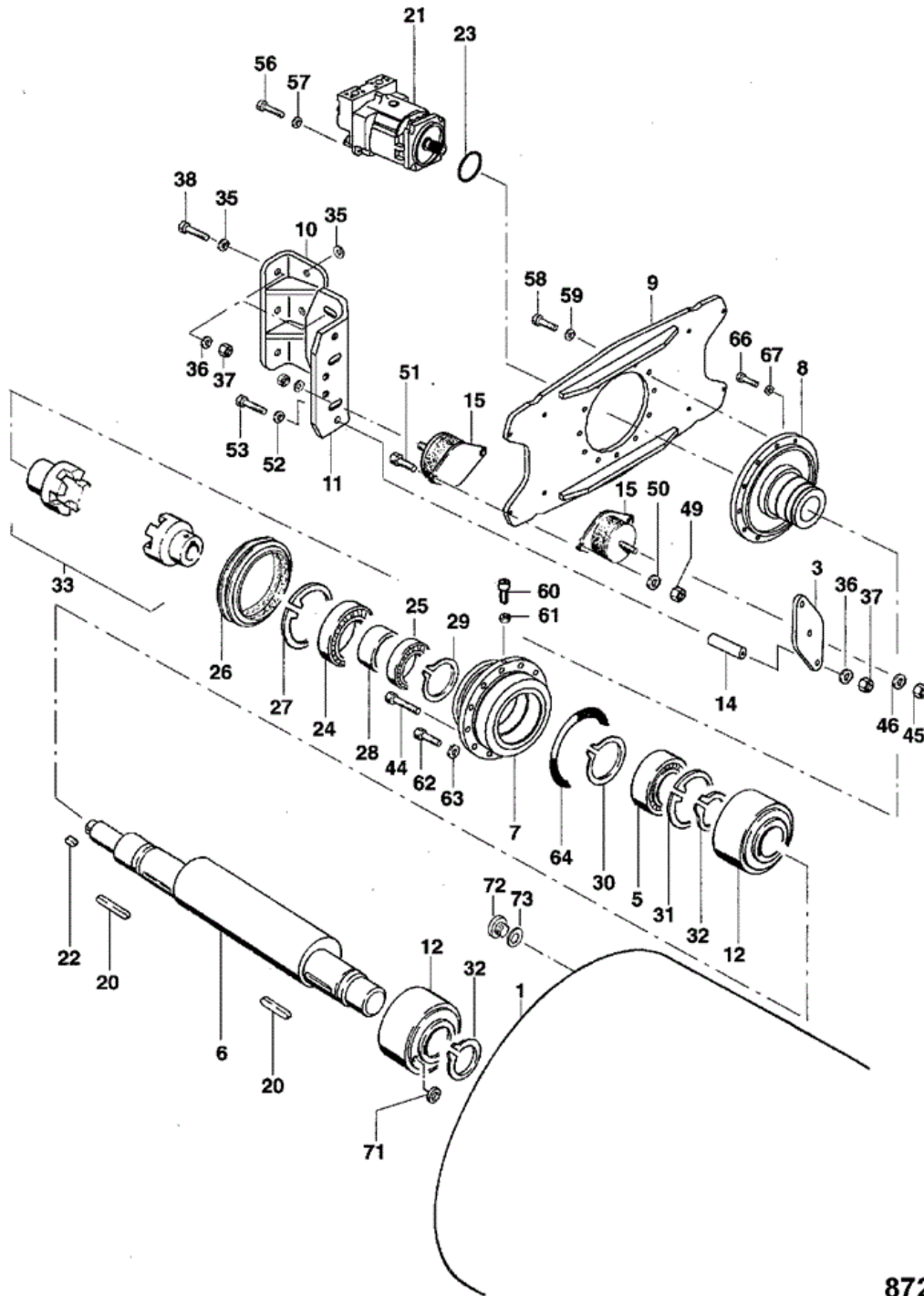
JCB 9802/4770 F1-1-30 SMOOTH DRUM D BUILD, CAST IRON VIBRATOR



Item	Part #	Change No	Description	Usage Code	QTY
1	7240/10010		Drum		1

2	****		Assembly suspension RH	1
3	****		Assembly suspension LH	1
4	****		Assembly vibrator 12T	1
5	2027/10016		Capscrew M10x16	1
6	2766/01013		Seal Copper Ring	1
7	2027/20030		Capscrew M20x30	1
8	2766/02130		Seal	1
9	4000/3700		Oil gear V-tronic, JCB	14
10	7260/10070		Lead front gearbox	1
11	2883/27710		Hose	1

JCB 9802/4770 F1-3-1 SMOOTH DRUM FIG 1, D BUILD
FAIRFIELD



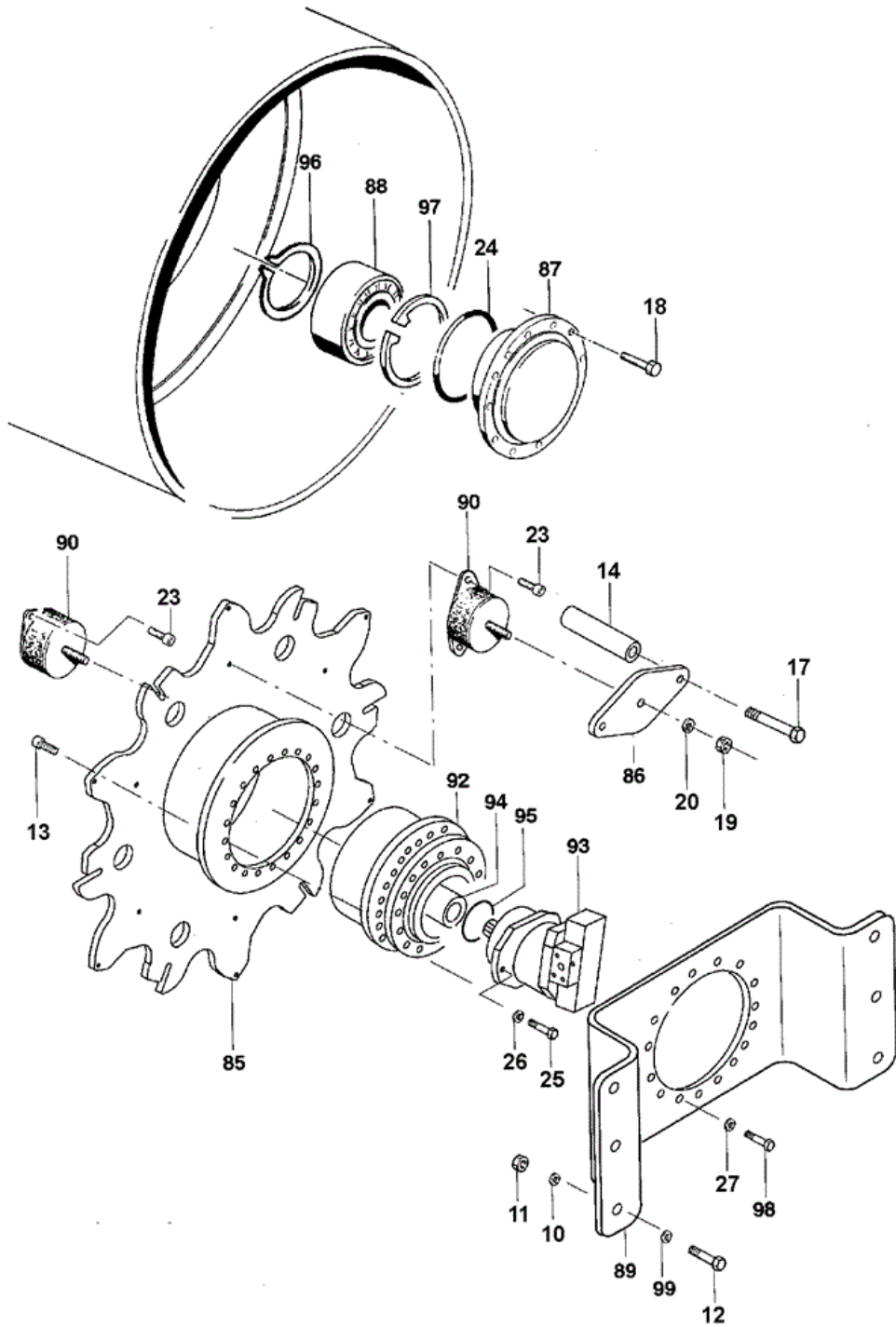
8724220003-B

Item	Part #	Change No	Description	Usage Code	QTY
1	7240/10010		Drum		1

3	7240/10003		Plate		4
5	2712/06242		Bearing		1
6	7242/20201		Shaft exciter		1
7	7240/10039		Cover		1
8	7240/10008		Flange axle		1
9	7240/10009		Plate		1
10	7232/20130		Bracket		2
11	7232/20127		Bracket		2
12	7242/20202		Weight counterbalance		2
14	7240/10018		Spacer		8
15	4010/22019		Buffer Rubber		8
20	2314/12100		Key		2
21	7240/11400		Motor		1
21A	:7240/11401		Kit-seal Fixed Displacement Hydro Motor		1
22	2314/16045		Key		1
23	2772/10130		O Ring		1
24	2700/01340		Bearing		1
25	2700/01320		Bearing		1
26	2777/00027		Seal		1
27	2304/00260		Circlip		1
28	7240/10028		Sleeve		1
29	2305/00160		Circlip		1
30	2305/00120		Circlip		1
31	2304/00260		Circlip		1
32	2305/00155		Circlip		2
33	7240/10035		Coupling		1
35	2208/00120		Washer Din 20		20
36	2203/10021		Washer		26
37	2118/32000		Nut M20		10
38	2020/20085		Screw Hexagon M20x85		4
39	2020/20070		Screw M20x70		6
44	2021/24080		Screw Hexagon M24x80		12
45	2118/41600		Nut M16		8
46	2203/10017		Washer		8
49	2118/41200		Nut M12		8
50	2201/00012		Washer M12		8
51	2027/12050		Capscrew M12 x 50mm		8
52	2806/00540		Washer		8
53	2020/20220		Screw Hexagon M20x220		8
56	2021/12035		Screw Hex M12x35		2
57	2201/00012		Washer M12		2
58	2021/16050		Screw Hexagon M16x50		12
59	2201/00016		Washer M16		12
60	2027/10016		Capscrew M10x16		1
61	2766/01013		Seal Copper Ring		2
62	2027/20030		Capscrew M20x30		1
63	2766/02130		Seal		2
64	2772/36770		O Ring		1
66	2528/01015		Breather		1
67	2766/01215		Seal		1
71	2766/01823		Seal		1

72	2502/00006		Plug		1
73	2766/01215		Seal		1

JCB 9802/4770 F1-3-10 SMOOTH DRUM FIG 2, D BUILD
FAIRFIELD



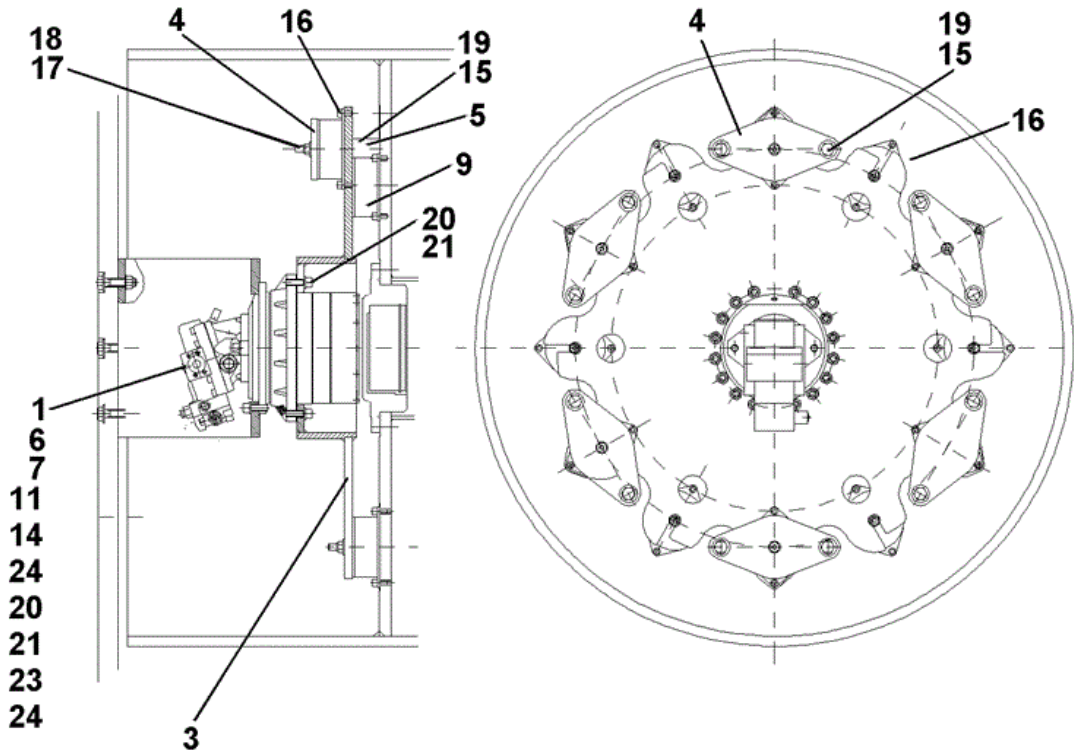
847420

Item	Part #	Change No	Description	Usage Code	QTY
10	2203/10021		Washer		6

11	2118/32000		Nut M20	6
12	2020/20085		Screw Hexagon M20x85	6
13	2027/16050		Capscrew M16x50	16
14	7240/10018		Spacer	12
17	2020/20200		Screw Hexagon M20x200	12
18	2021/24080		Screw Hexagon M24x80	12
19	2118/41600		Nut M16	12
20	2203/10017		Washer	12
23	2027/12025		Capscrew M12x25	24
24	2772/36770		O Ring	1
25	2021/16035		Screw Hexagon M16x35	2
26	2201/00016		Washer M16	2
27	2200/00068		Washer M20	16
85	7241/21630		Bracket	1
86	7240/10003		Plate	6
87	7240/10038		Cover	1
88	2712/06242		Bearing	1
89	7241/21602		Adapter	1
90	4010/22019		Buffer Rubber	12
92	7210/10300		Gearbox complete	1
93	7241/20250		Motor Variable Disp	1
93A	:7241/20251		Kit-seal Drive Motor	1
93B	:7241/20330		Solenoid	1
94	7241/10201		Shaft	1
95	2772/15040		O Ring	1
96	2305/00120		Circlip	1
97	2304/00260		Circlip	1
98	2021/20050		Screw	16
99	2208/00120		Washer Din 20	14



9802/4770 F1-6-1 SUSPENSION LEFT, FAIRFIELD



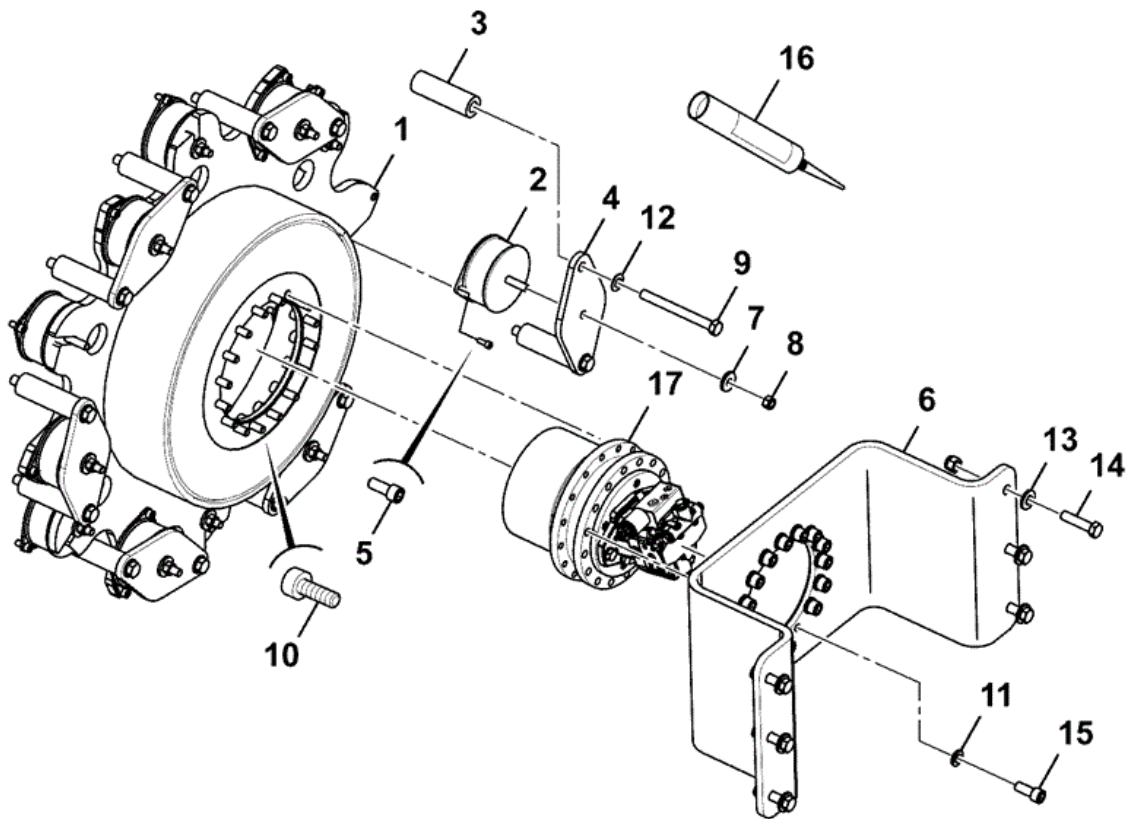
87242-20208-2

Item	Part #	Change No	Description	Usage Code	QTY
1	7232/20800		Gearbox planetary CW18		1
2	7232/20230		Adapter plate		1
4	7240/10003		Plate		6

5	7240/10018		Spacer	12
6	7232/20680		Motor adjustment	1
7	2208/00120		Washer Din 20	6
9	4010/22019		Buffer Rubber	12
11	2020/20085		Screw Hexagon M20x85	6
14	2118/32000		Nut M20	6
15	2806/00540		Washer	12
16	2027/12025		Capscrew M12x25	24
17	2118/41600		Nut M16	12
18	2200/00017		Washer	12
19	1315/3830Z		Bolt M20 x 200	12
20	2027/16045		Screw	35
21	2200/00067		Washer M16	35
23	2027/16040		Screw	2
24	1420/0011Z		Washer (M16)	2



9802/4770 F1-6-10 SUSPENSION LEFT, VIBRATION MOTOR

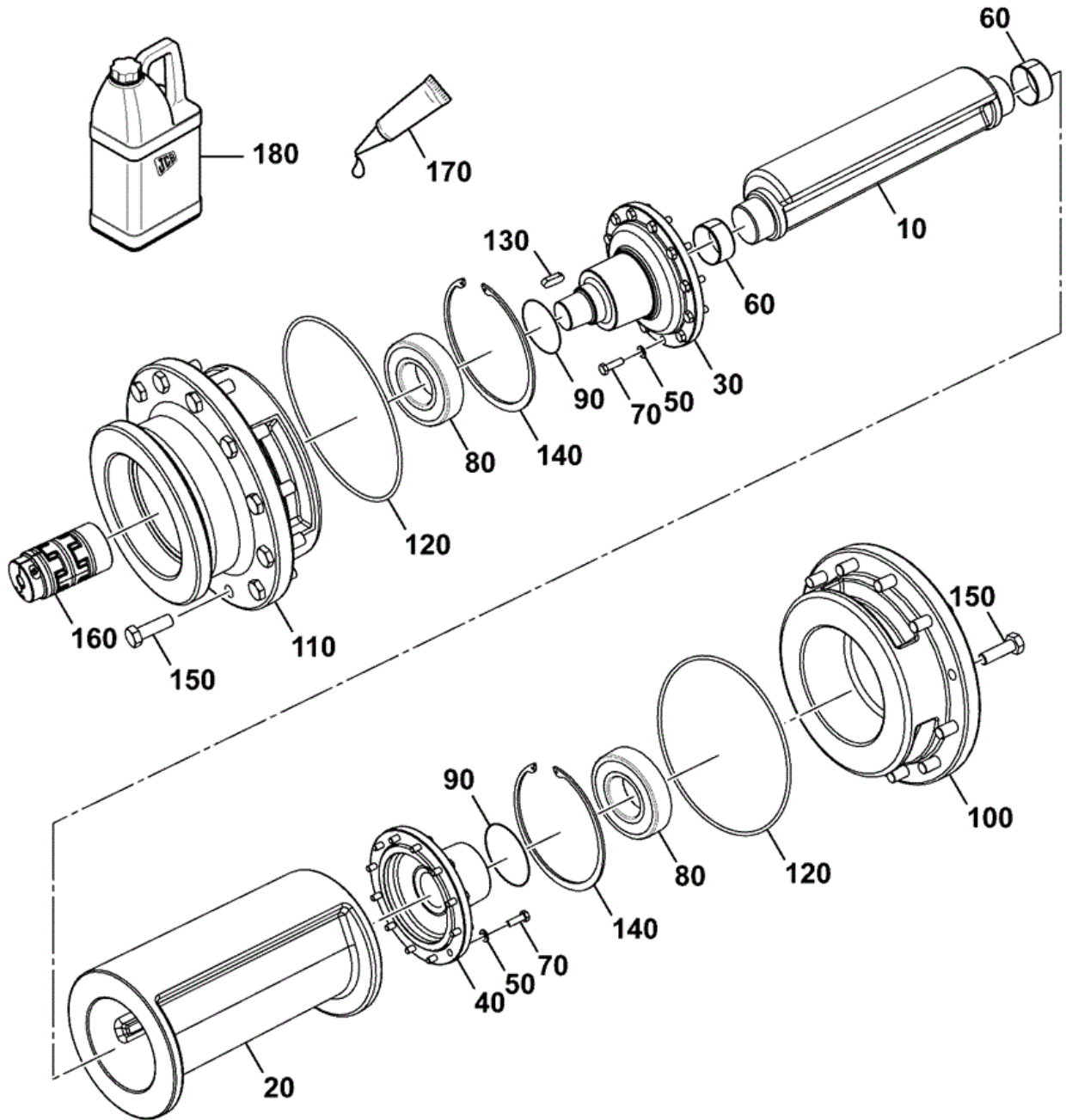


335-C6010-1

Item	Part #	Change No	Description	Usage Code	QTY
1	7241/21630		Bracket		1
2	332/N2465		Buffer rubber		12
3	7240/10018		Spacer		12

4	7240/10003		Plate	6
5	2027/12025		Capscrew M12x25	24
6	7241/21602		Adapter	1
7	2203/10017		Washer	12
8	2118/41600		Nut M16	12
9	1315/3830Z		Bolt M20 x 200	12
10	2027/16050		Capscrew M16x50	16
11	2200/00068		Washer M20	16
12	2806/00540		Washer	12
13	2208/00120		Washer Din 20	6
14	2020/20085		Screw Hexagon M20x85	6
15	2027/20050		Capscrew M20x50	16
16	9600/00016		Loctite	0
17	7241/10200		Drive motor	1

JCB 9802/4770 F1-6-20 AXLES FRONT VIBRATOR



332-N5874-B

Item	Part #	Change No	Description	Usage Code	QTY
10	332/N5885		Shaft inside unbalance		1
20	332/N5872		Drum outside unbalance		1
30	332/N3618		Flange drive 12T		1

40	332/N3621		Flange axle 12T	1
50	2200/00066		Washer	25
60	332/N3517		Bush	2
70	1315/3510Z		Bolt (M12 x 40)	25
80	2712/06242		Bearing	2
90	2772/21050		O Ring	2
100	7240/10038		Cover	1
110	7240/10039		Cover	1
120	2772/36770		O Ring	2
130	2314/16045		Key	1
140	2304/00260		Circlip	2
150	1315/4017Z		Bolt M24 x 75mm	24
160	332/N4150		Coupling	1
170	9600/00016		Loctite	0
180	9560/00065		Oil	8



Download the full PDF manual instantly.

Our customer service e-mail:

aservicemanualpdf@yahoo.com