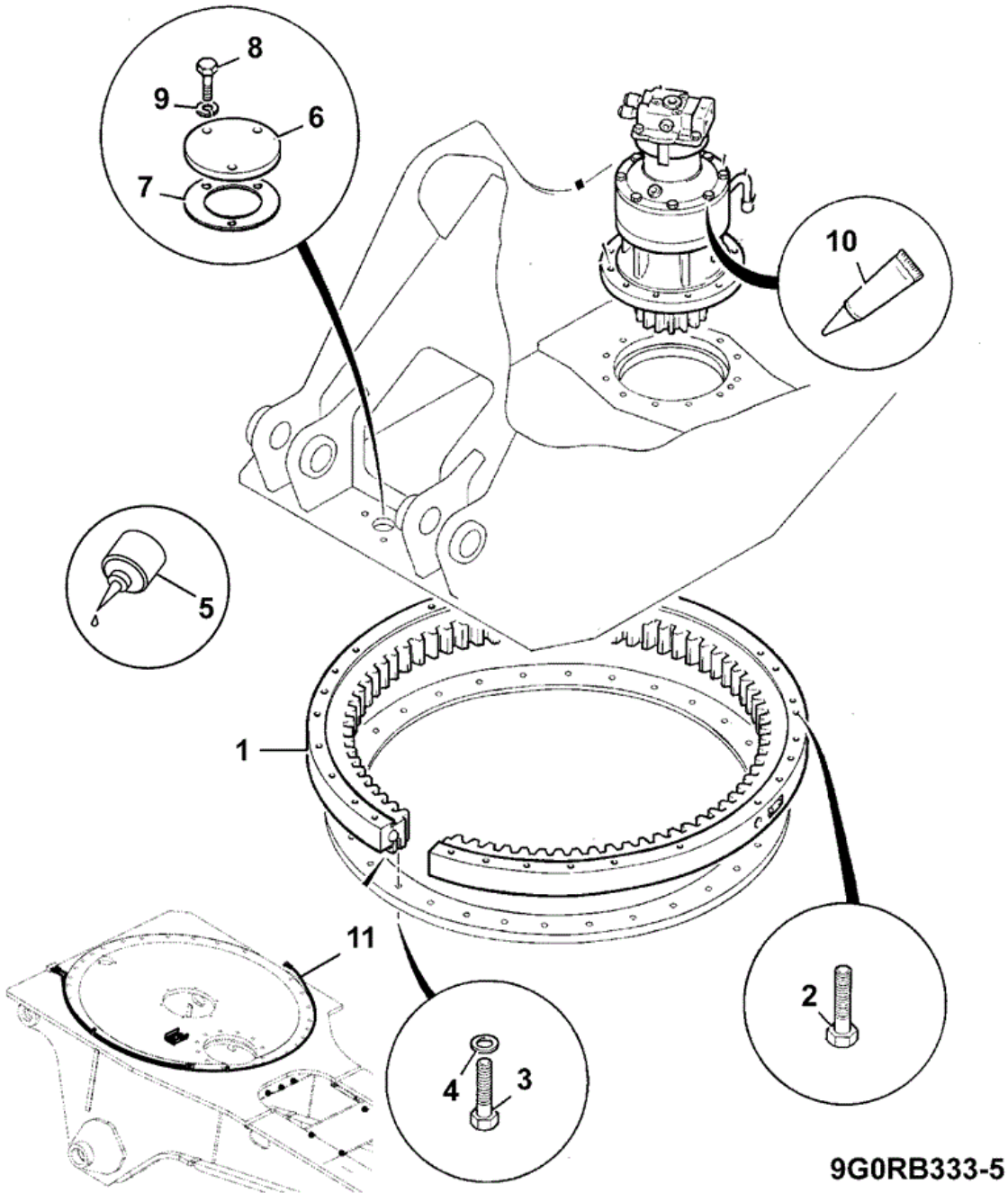




# 9822/0930 F430-10-1 SLEW/SWING MOTOR INSTALLATION TURNTABLE BEARING (J903)

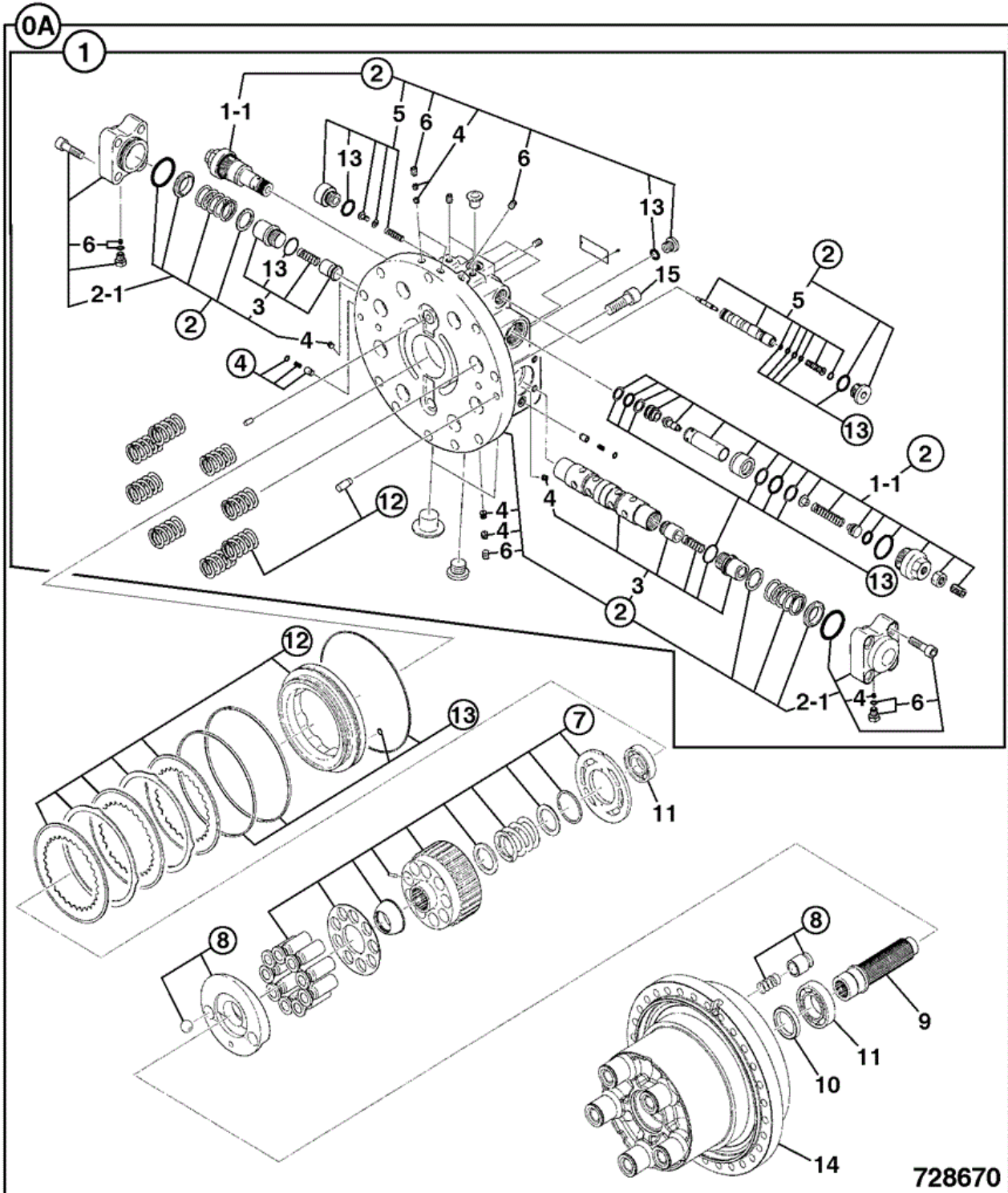


Item	Part #	Change No	Description	Usage Code	QTY
1	JRB0017		Ring slew		1

2	332/P6830		Bolt High Strength M20 x105mm	31
3	1316/3815D		Bolt M20 X 65	36
4	JHP0044		Washer	67
5	4101/0500		Fluid Locking Loctite 262	0
6	KRB0681		Plate Cover	1
7	KRB0682		Packing Cork	1
8	1316/0507D		Setscrew M12 x 25 grade 10.9	3
9	1420/0009D		Washer (M12)	3
10	JHC0001		Sealant liquid packing, Gasket	0
11	****		Circuit grease line, assembly	1



# 9822/0930 F430-15-1 SLEW/SWING MOTOR INSTALLATION TRACK

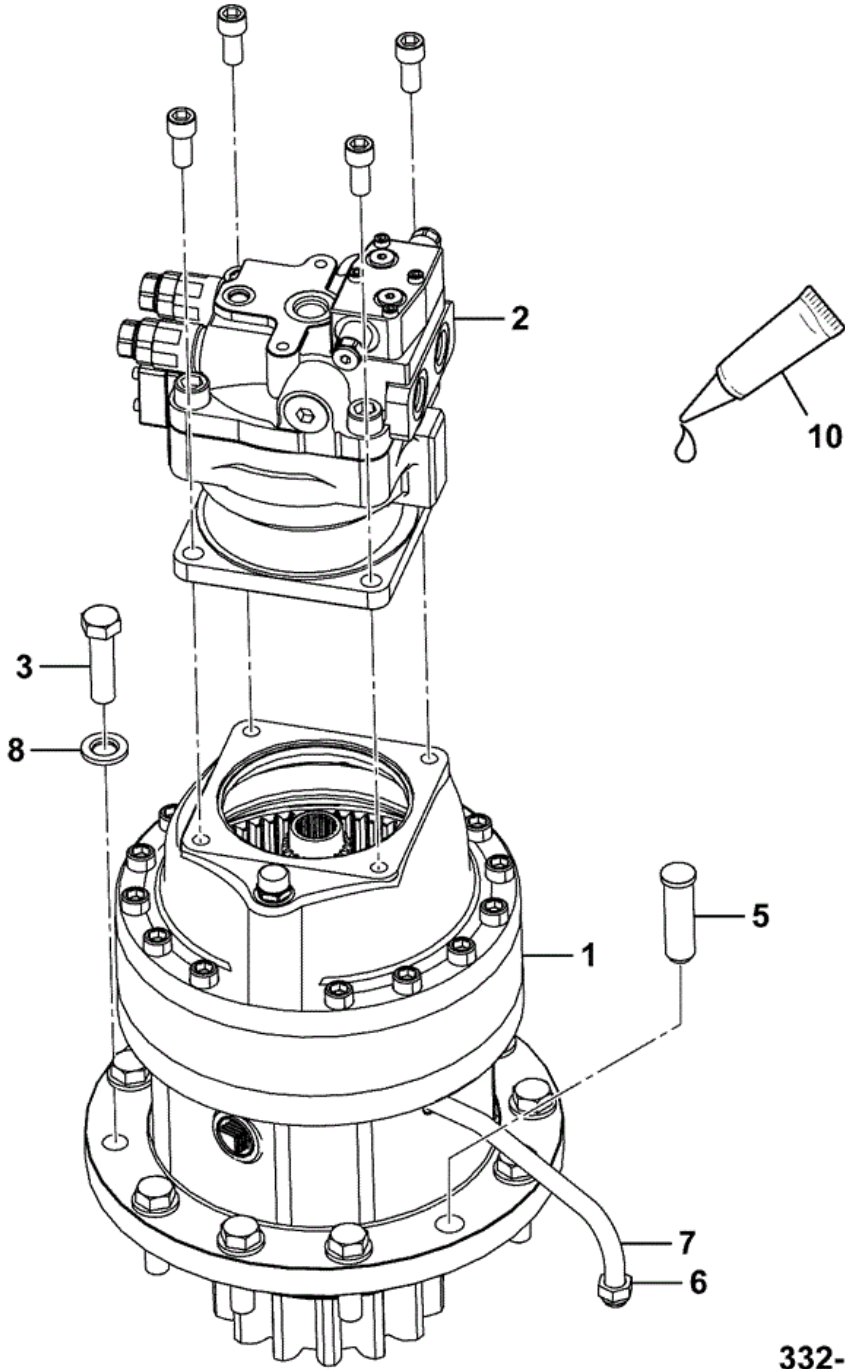


Item	Part #	Change No	Description	Usage Code	QTY
A	332/H3935		Motor hydraulic		1

1	****		None serviced part		1
1-1	:25/222665		Valve relief		2
2	:332/H5576		Kit-valve assembly		1
3	:332/H5577		Kit-plunger		1
4	:332/H5579		Kit orifice		1
5	:332/H5580		Kit-plug assembly		1
6	:332/H5578		Kit-plug & o ring		1
7	****		None serviced part		1
8	:332/H5581		Kit-plug & o ring		1
9	:20/925674		Shaft motor drive		1
10	:332/H5585		Seal ring		1
11	:20/951604		Bearing Bearing Kit Track Motor/Gearbox		1
12	:332/H5586		Kit-repair brake assembly		1
13	:332/H5587		Kit-seal		1
14	****		None serviced part		1
15	:05/903833		Screw		10



# 9822/0930 F440-1-1 GEARBOX SLEW/SWING SWING EQUIPMENT



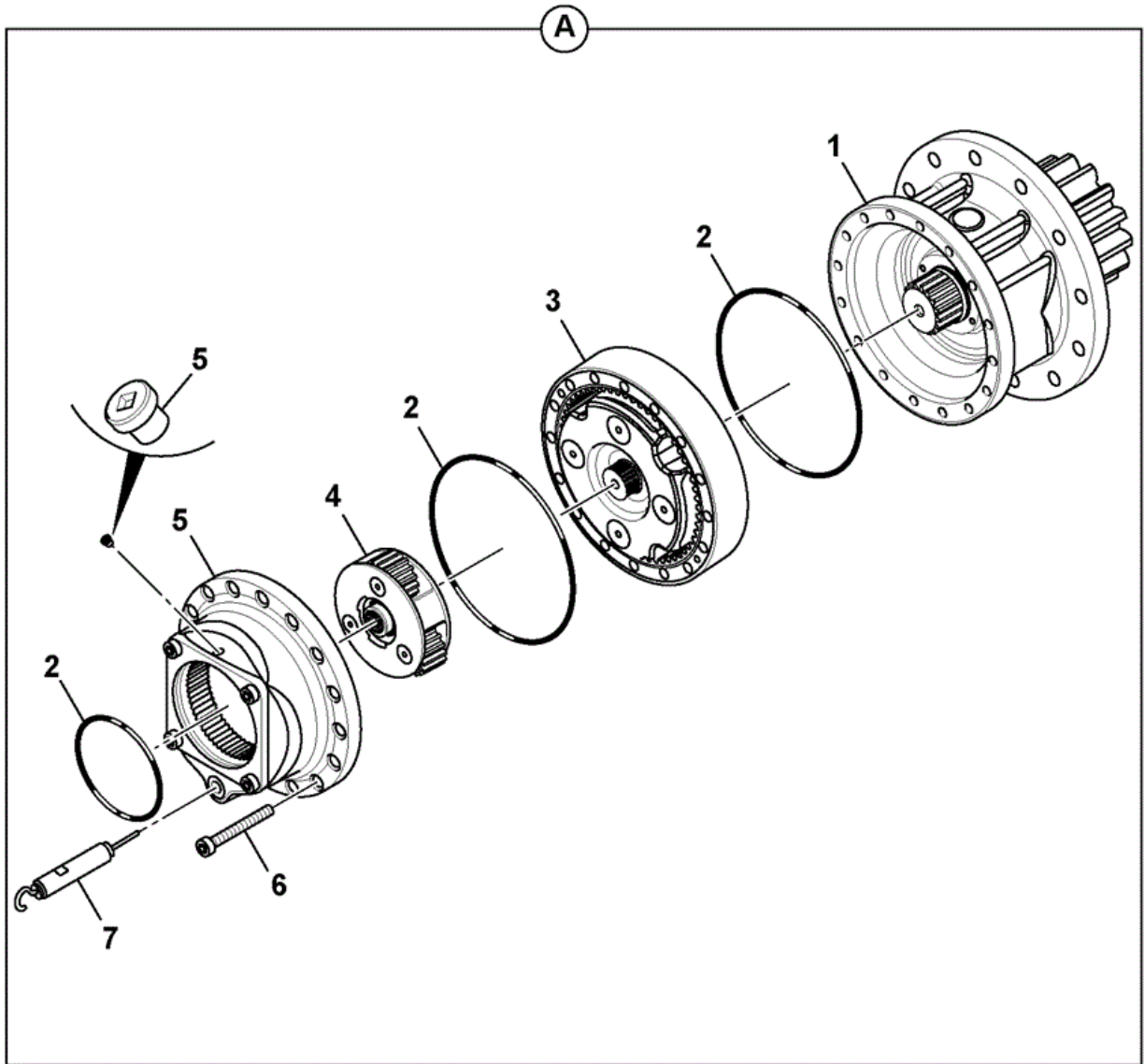
332-K9465-5

Item	Part #	Change No	Description	Usage Code	QTY
1	333/K3452		Gearbox Swing		1

2	333/K7185		Motor Swing		1
2A	:334/D3787		Seal oil		1
3	1316/3817D		Bolt		11
5	KRC0105		Pin headed		1
6	C4E9301		Adapter Plug		1
7	JBC0004		Pipe assembly		1
8	JHP0044		Washer		11
10	4101/0500		Fluid Locking Loctite 262		0



## 9822/0930 F440-5-1 GEARBOX SLEW/SWING ASSEMBLY



**333-K3452-KIT-1**

Item	Part #	Change No	Description	Usage Code	QTY
A	333/K3452		Gearbox Swing		1
1	:333/Y3141		Shaft Out put, Assembly		1
2	:334/D1858		Kit Seal Kit		1



**Download the full PDF manual instantly.**

**Our customer service e-mail:**

**[aservicemanualpdf@yahoo.com](mailto:aservicemanualpdf@yahoo.com)**