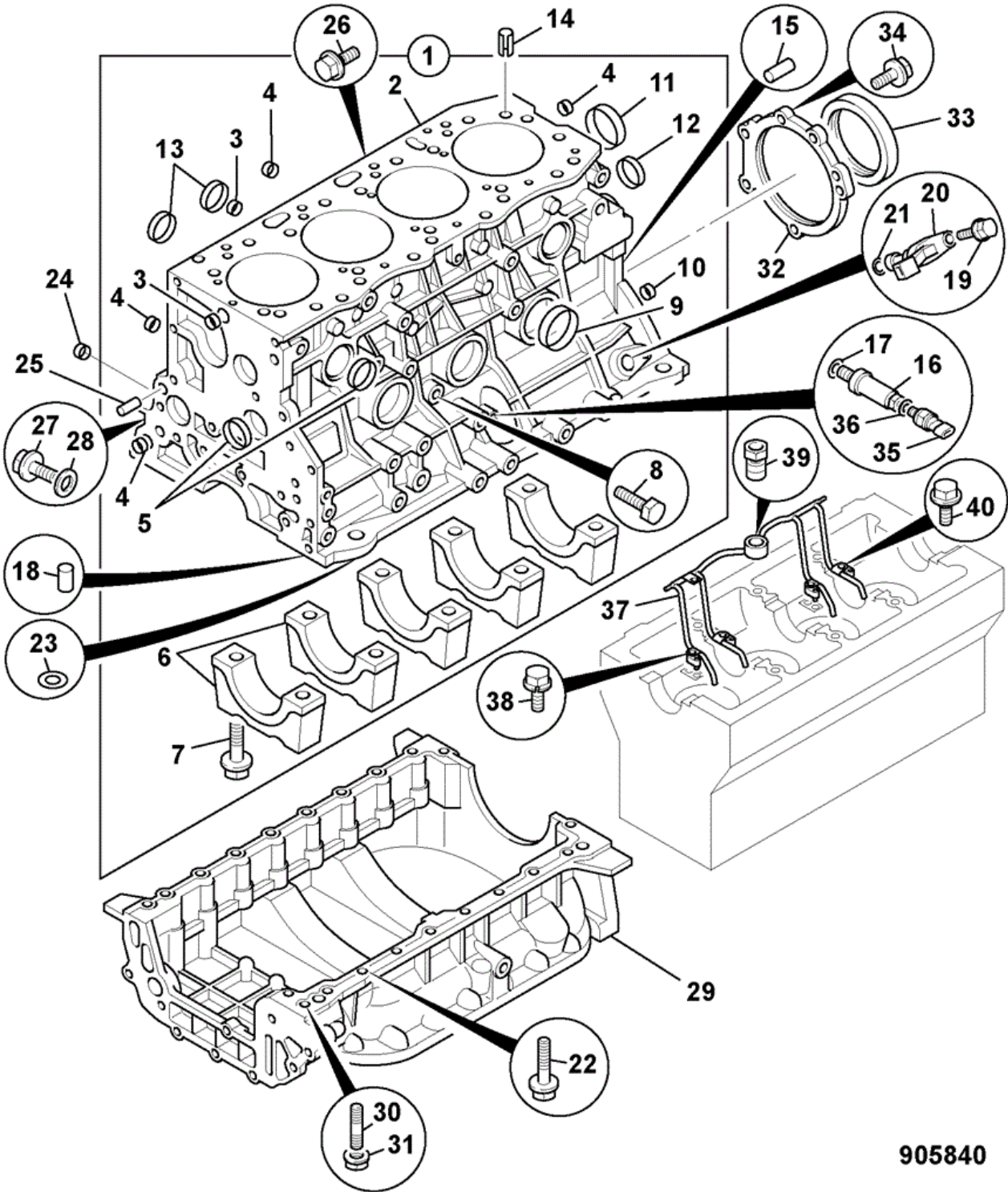




9802/5840 R1-3-1 BLOCK ASSEMBLY

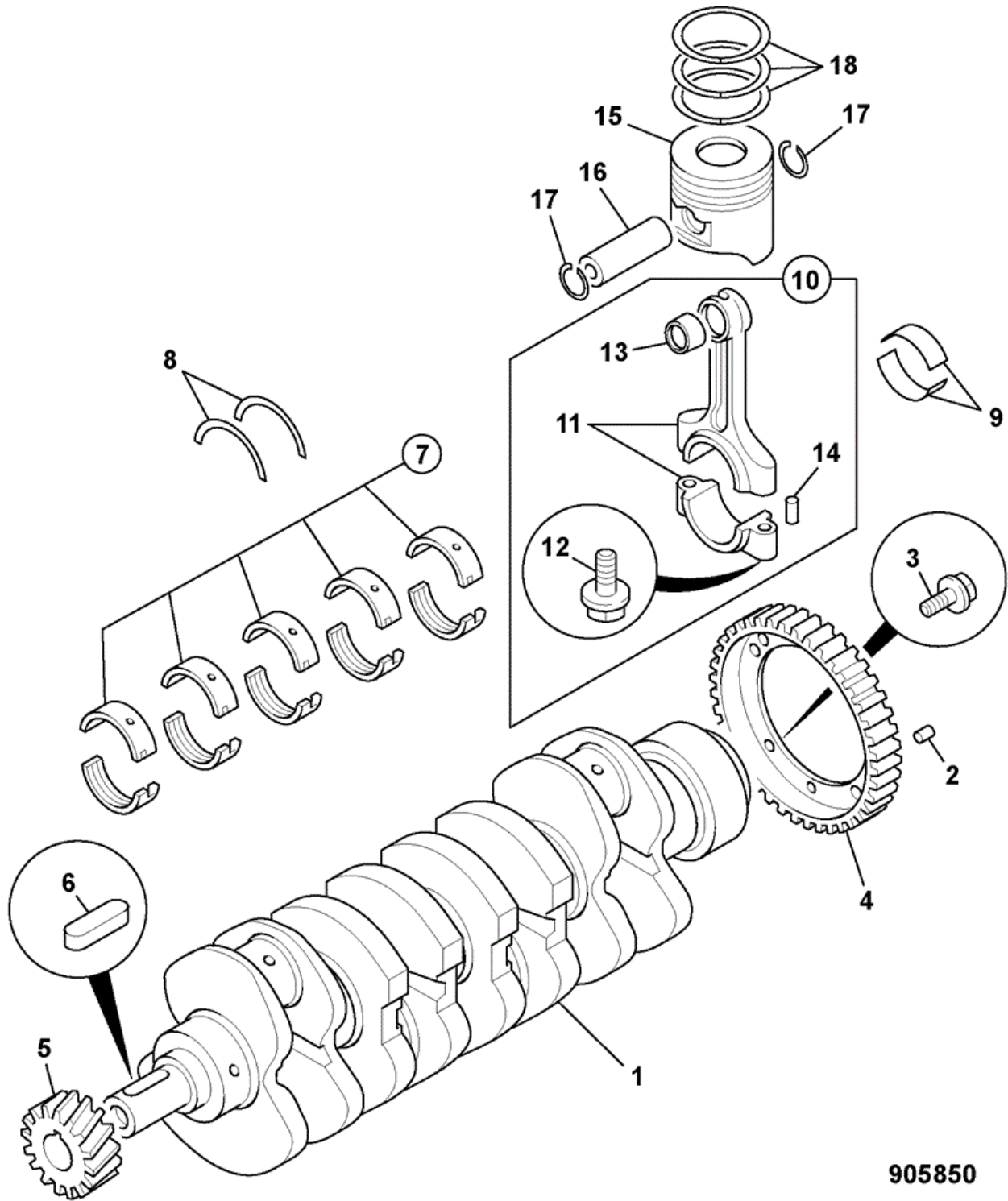


905840

Item	Part #	Change No	Description	Usage Code	QTY
1	02/802396		Block assembly cyl.		1
2	****		None serviced part		1

3	:5112190080		Cup sealing, D=18	2
4	:5111290060		Plug sealing, D=16	6
5	:5112190150		Plug D=32	4
6	****		None serviced part	1
7	:8944326420		Bolt	10
8	:02/800019		Plug water drain, PT 1/4	2
9	:02/801711		Plug D=45	3
10	:5096000130		Plug D=12	1
11	:5112190180		Cup sealing, D=36	1
12	:5112190170		Cup sealing, D=38	1
13	:5112190180		Cup sealing, D=36	2
14	8944533440		Dowel	2
15	02/801812		Pin	2
16	02/802399		Nozzle oil pressure warning	1
17	02/802398		Gasket nozzle oil pressure warning	1
18	9098785970		Pin	2
19	02/802407		Bolt sensor M6x16	1
20	02/802405		Sensor angle position	1
21	:02/802406		Gasket position sensor crankshaft	1
22	02/802401		Bolt M8x25	19
23	02/802404		Gasket crankshaft / cable	1
24	1096050500		Plug	5
25	02/802400		Pin flywheel housing	1
26	9096065350		Bolt	1
27	8943168000		Plug	1
28	9095714140		Washer seal	1
29	02/802415		Casing crankshaft	1
30	02/802416		Stud crankcase	1
31	02/802388		Nut cover M8	1
32	02/802499		Housing crankshaft seal	1
33	02/800905		Seal rear oil	1
34	02/802401		Bolt M8x25	5
35	716/30341		Sensor oil pressure	1
36	32/919404		Washer seal	1
37	02/802617		Pipe oil jet	1
38	02/802615		Bolt	1
39	02/802618		Valve relief	1
40	02/802616		Bolt	4

JCB 9802/5840 R1-4-1 CRANKSHAFT, BEARINGS PISTONS &
 CON-RODS



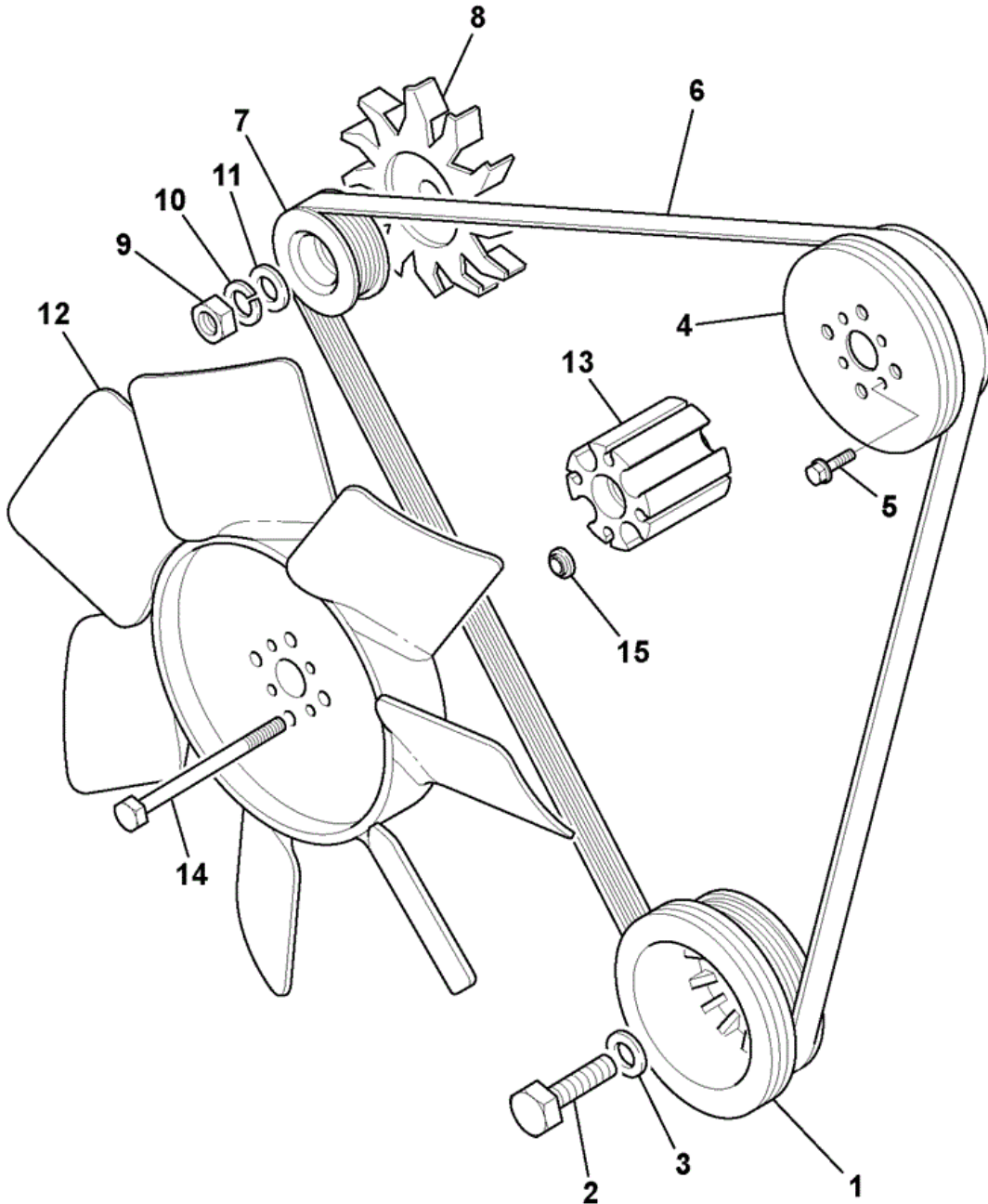
905850

Item	Part #	Change No	Description	Usage Code	QTY
1	02/802458		Crankshaft		1

2	02/800894		Pin dowel	1
3	02/802477		Bolt timing ring	3
4	02/802476		Rotor crankshaft sensor	1
5	02/802466		Gear crankshaft pulley	1
6	02/800901		Key woodruff	1
7	02/802459		Kit-main bearing grade 1	5
7	02/802460		Kit-main bearing grade 2	5
7	02/801713		Kit-main bearing grade 3	5
7	02/802461		Kit-main bearing grade 4	5
7	02/802462		Kit-main bearing grade 5	5
8	02/800886		Kit-thrust washer	2
9	02/802339		Kit-bearing big end	4
10	02/802474		Rod connecting	4
11	****		None serviced part	1
12	:02/800893		Bolt conrod	2
13	:02/802475		Bush connecting rod	1
14	:02/800894		Pin dowel	2
15	02/802469		Piston grade A	4
15	02/802470		Piston grade B	4
15	02/802471		Piston grade C	4
16	02/802473		Pin gudgeon	4
17	02/800899		Ring snap	8
18	02/802472		Kit-piston ring standard	4



9802/5840 R1-5-2 FANS,PULLEYS & BELTS NON EU



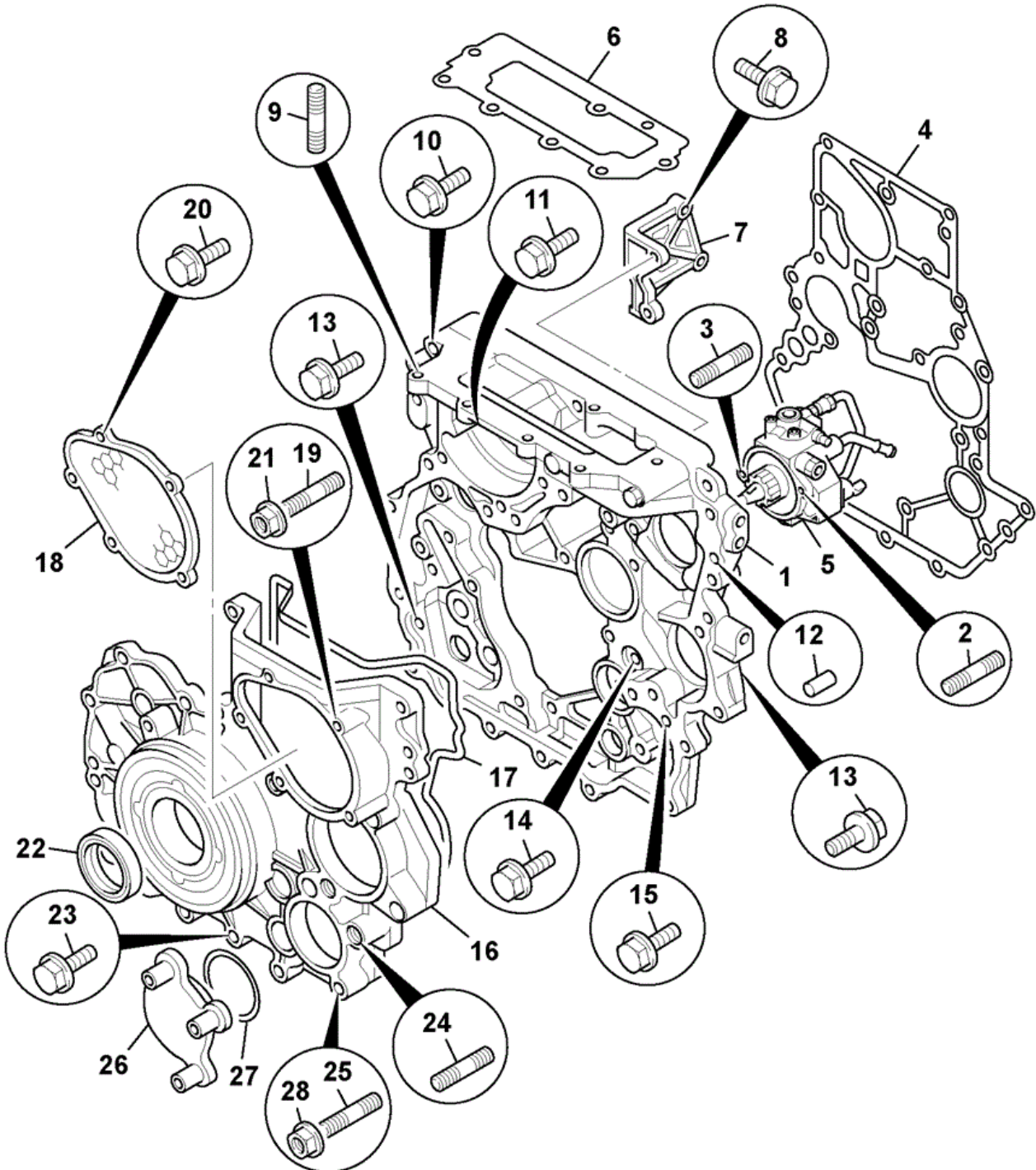
905870

Item	Part #	Change No	Description	Usage Code	QTY
1	02/802464		Pulley crankshaft		1
2	02/802465		Bolt crankshaft pulley		1

3	02/800908		Washer crankshaft	1
4	02/802543		Pulley fan	1
5	0208006120		Bolt M6x12	2
6	02/802540		Belt fan	1
7	02/802651		Pulley alternator	1
8	02/802652		Fan alternator	1
9	1812294740		Nut	1
10	1812294790		Washer spring	1
11	1812294780		Washer plain	1
12	30/926121		Fan puller D=550mm	1
13	829/31408		Spacer fan heavy duty pump	1
14	826/11178		Bolt M8 x 95 lg	4
15	331/35722		Collar fan mounting	4



9802/5840 R1-6-1 TIMING CASE & FRONT COVER



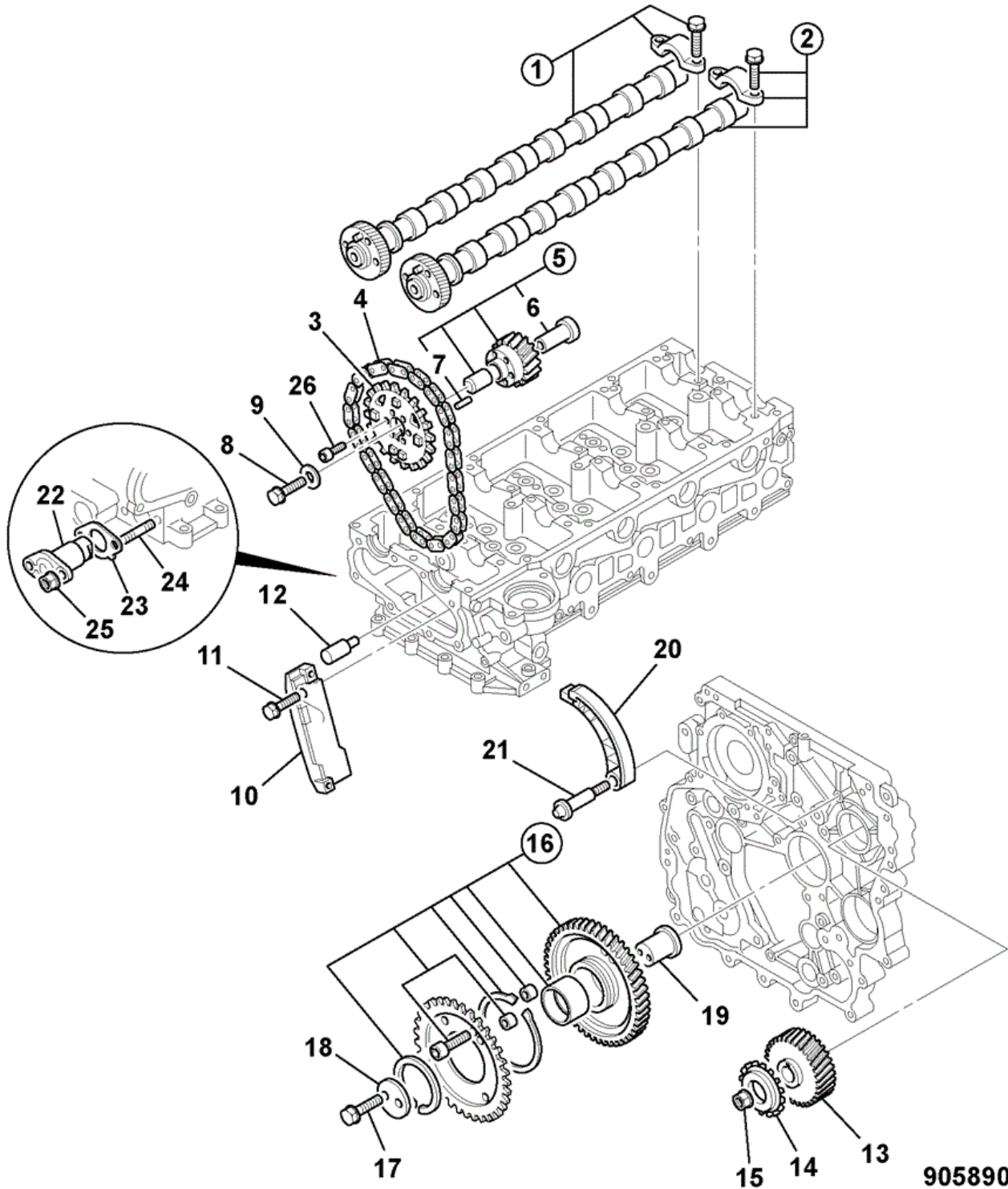
905880

Item	Part #	Change No	Description	Usage Code	QTY
1	02/802478		Case timing gear		1
2	02/802495		Stud		1

3	02/802496		Stud	1
4	02/802480		Gasket gear case - cylinder	1
5	****		'See Remark' <i>See section R6-1-1</i>	1
6	02/802504		Gasket 1.40mm thick 1 notch	1
6	02/802505		Gasket 1.45mm thick 2 notch	1
6	02/802506		Gasket 1.50mm thick 3 notch	1
7	02/802492		Bracket gear case cover	1
8	02/802484		Bolt	3
9	02/802494		Stud	2
10	02/802393		Bolt M8x60	1
11	02/802482		Bolt M8 x 35	1
12	02/801812		Pin	2
13	02/802358		Bolt	16
14	02/802418		Bolt M8X16	1
15	02/802483		Bolt	2
16	02/802489		Cover gear case	1
17	02/802485		Gasket gear case - cover	1
18	02/802498		Cover timing lower	1
19	02/802493		Stud M6x16	2
20	02/802407		Bolt sensor M6x16	3
21	02/802351		Nut	2
22	02/802497		Seal oil crankshaft front	1
23	02/802488		Bolt	14
24	02/802487		Stud	1
25	02/802486		Stud	6
26	02/802490		Cover	1
27	02/802491		Gasket	1
28	02/802388		Nut cover M8	3



9802/5840 R1-6-2 CAMSHAFTS & TIMING GEARS

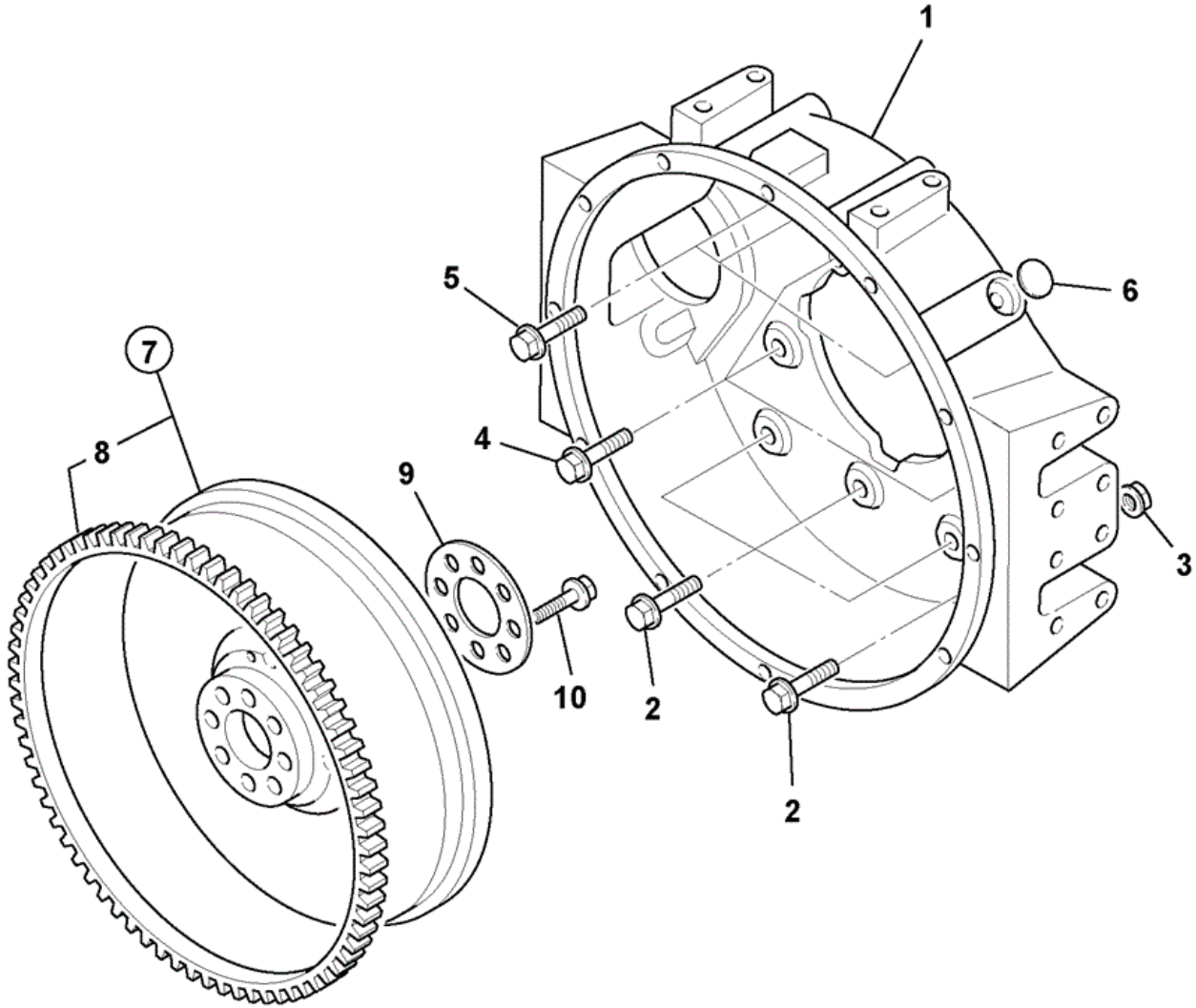


Item	Part #	Change No	Description	Usage Code	QTY
1	02/802421		Camshaft exhaust		1
2	02/802420		Camshaft inlet		1

3	02/802443		Sprocket idler	1
4	02/802445		Chain timing	1
5	02/802439		Gear idler	1
6	:02/802437		Shaft idler gear	1
7	:9081605100		Pin thrust 5ODx10	1
8	02/802441		Bolt idler gear	1
9	02/802451		Flange	1
10	02/802447		Guide timing chain	1
11	02/802449		Bolt	2
12	02/802448		Jet oil timing chain	1
13	02/802454		Gear injection pump	1
14	332/H4347		Sprocket injection pump	1
15	02/802456		Nut	1
16	02/802438		Gear idler	1
17	02/802440		Bolt idler gear	2
18	02/802450		Flange	1
19	02/802436		Shaft idler gear	1
20	02/802453		Lever tension	1
21	02/802457		Pivot chain lever	1
22	02/802446		Adjuster chain tensioner	1
23	02/802442		Gasket chain tensioner	1
24	02/802455		Stud	2
25	02/802351		Nut	2
26	02/802444		Bolt	6



9802/5840 R1-7-1 FLYWHEEL & HOUSING



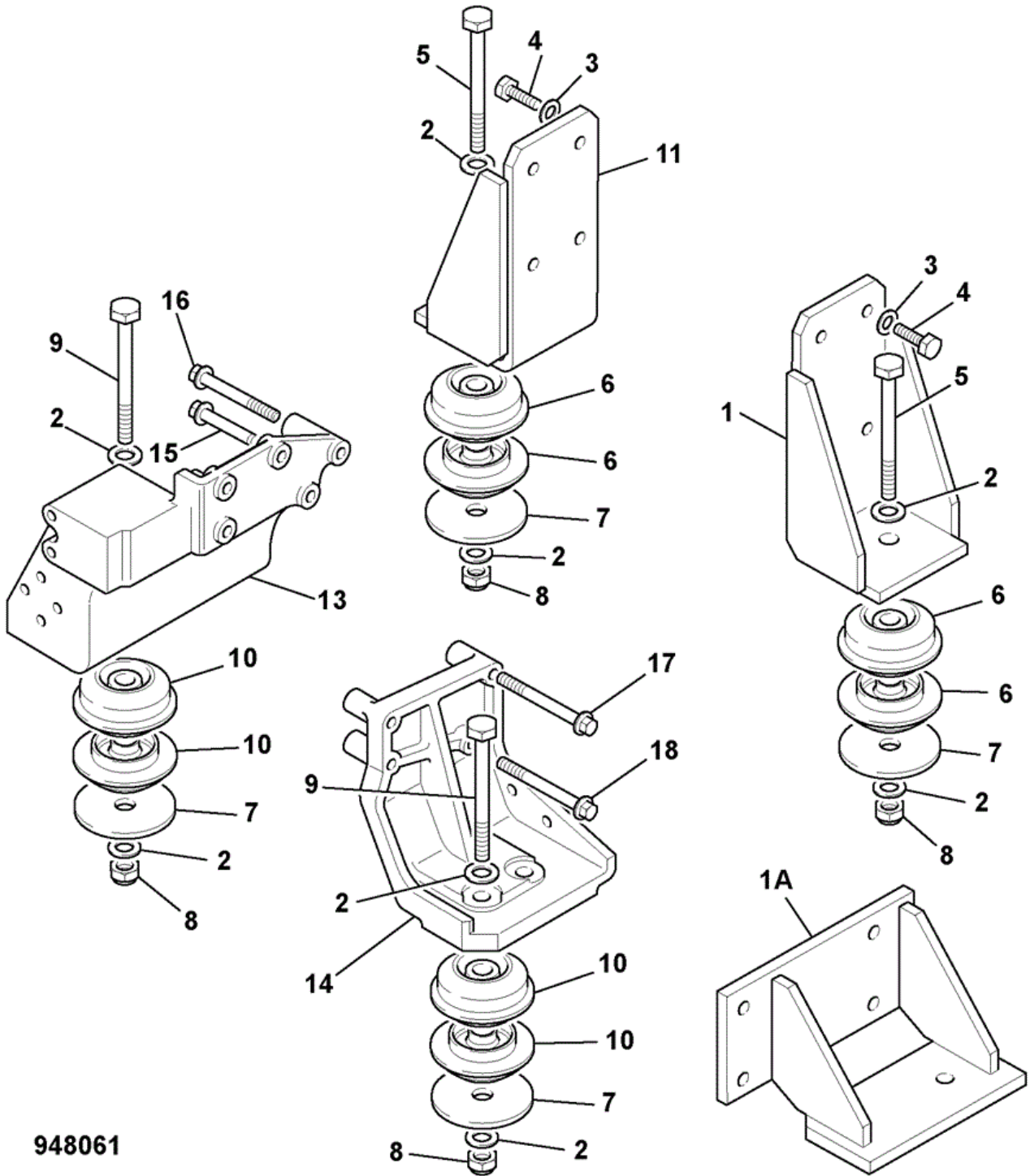
905900

Item	Part #	Change No	Description	Usage Code	QTY
1	02/802479		Housing flywheel		1
2	02/802502		Bolt		4

3	02/802154		Nut		1
4	5090002270		Bolt M12 X 25mm		3
5	02/802501		Bolt		3
6	02/802503		Cover		1
7	02/802463		Flywheel		1
8	:02/802467		Gear starter ring		1
9	02/800268		Plate locking		1
10	02/802468		Bolt flywheel washer		8



9802/5840 R1-8-1 ENGINE MOUNTINGS



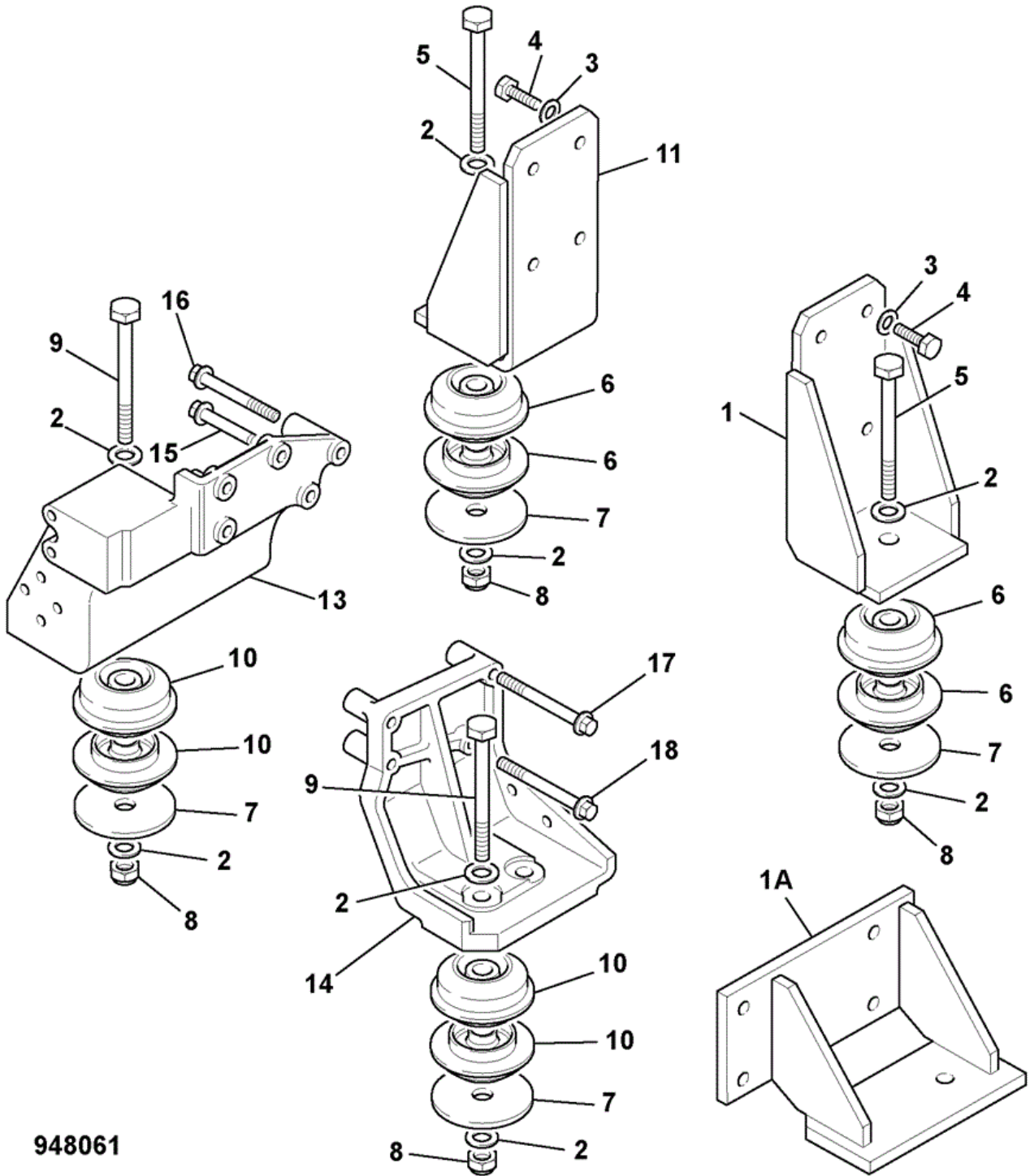
948061

Item	Part #	Change No	Description	Usage Code	QTY
1	335/12761		Mounting engine		1
1A	335/12553		Bracket engine mounting		1

			<i>For aircon see section R7-5-1</i>	
2	JHP0043		Washer M16	8
3	1420/0009D		Washer (M12)	8
4	1316/0509D		Screw M12x35 long	4
5	1316/3723D		Bolt M16x130	2
6	KRH0781		Mounting metalastik	4
7	KNH0589		Plate	4
8	1371/0603Z		Nut Lock (M16 G12).	4
9	1316/3724D		Bolt M16 X 140	2
10	KNH0528		Mounting metalastik	4
11	332/J0104	<M	Bracket engine mounting	1
11	332/J2387		Bracket engine mounting	1
12	1316/0511D		Bolt M12 x 45	4
13	02/802507		Mounting bracket	1
14	02/802508		Mounting btacket	1
15	02/802509		Bolt	2
16	02/802512		Bolt	1
17	02/802511		Bolt	3
18	02/802510		Bolt	1



9802/5840 R1-8-10 ENGINE MOUNTINGS

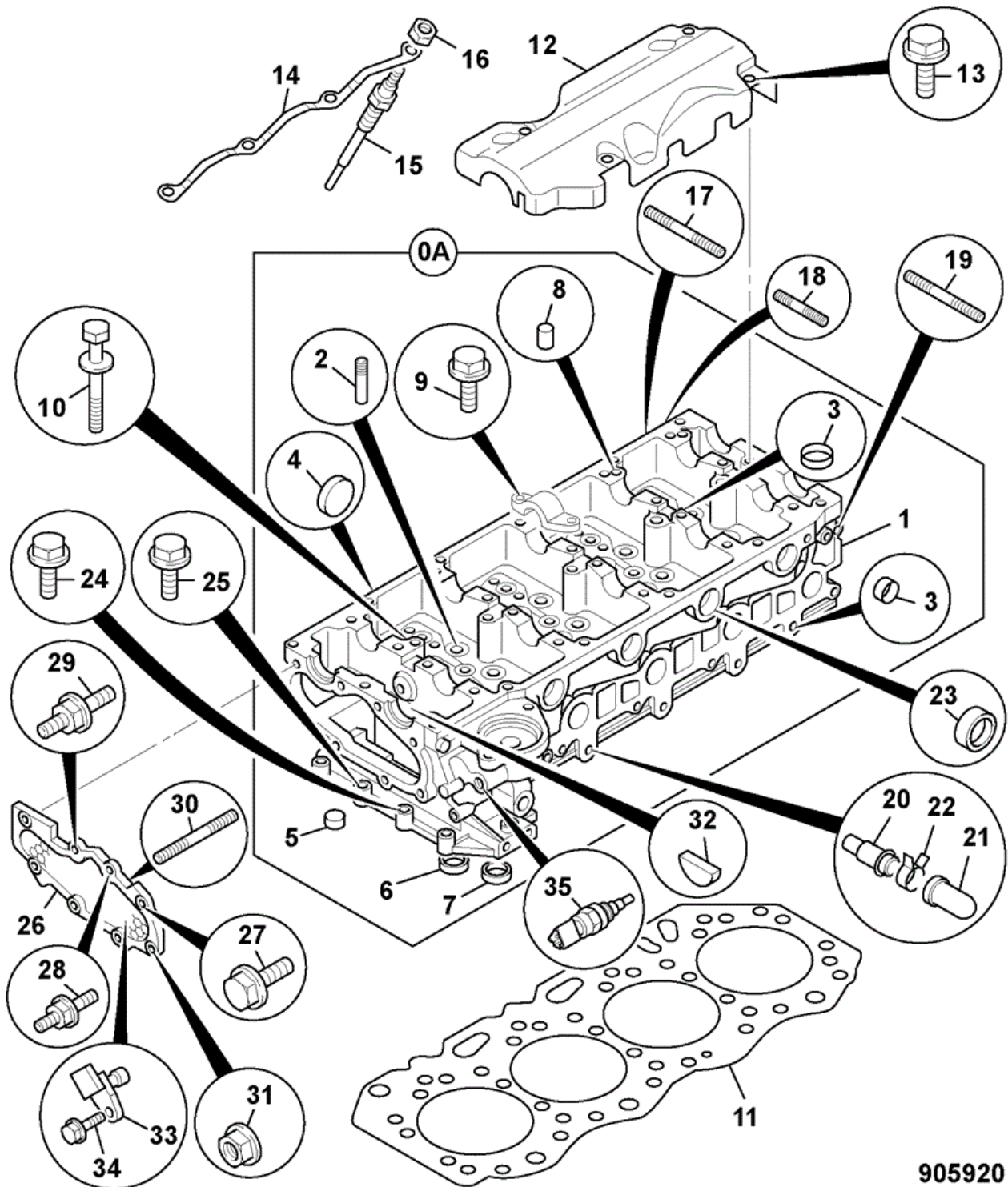


948061

Item	Part #	Change No	Description	Usage Code	QTY
1	335/12761		Mounting engine		2
2	JHP0043		Washer M16		8

3	1420/0009D		Washer (M12)	8
4	1316/0509D		Screw M12x35 long	8
5	1316/3723Z		Bolt	2
6	KRH0781		Mounting metalastik	4
7	KNH0589		Plate	4
8	1371/0603Z		Nut Lock (M16 G12).	4
9	1316/3724D		Bolt M16 X 140	2
10	KNH0528		Mounting metalastik	4

JCB 9802/5840 R2-1-1 CYLINDER HEAD



905920

Item	Part #	Change No	Description	Usage Code	QTY
A	02/802365		Head Head cylinder assemb		1
1	****		None serviced part		1



Download the full PDF manual instantly.

Our customer service e-mail:

aservicemanualpdf@yahoo.com