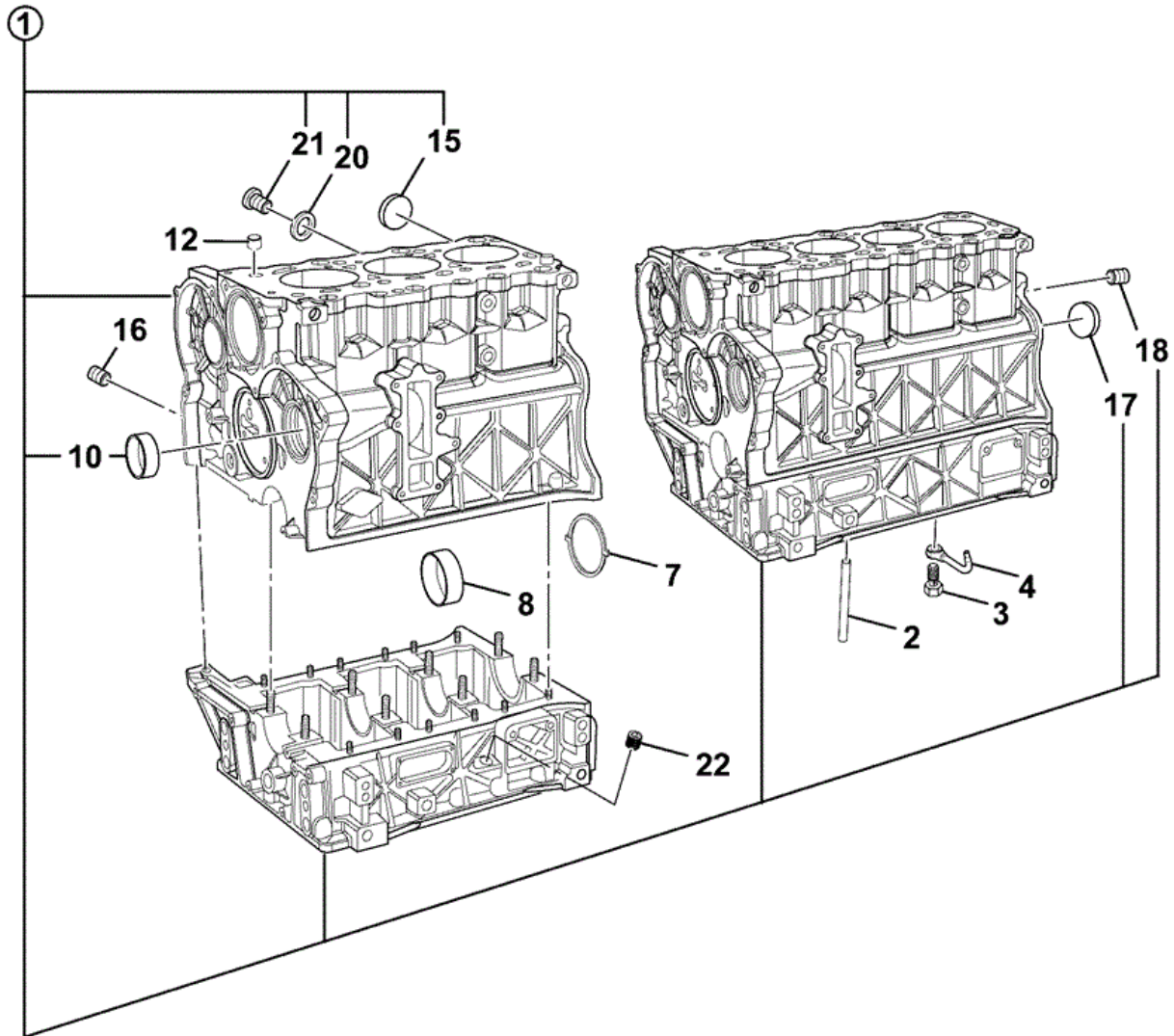




9822/0645 V120-1-1 CYLINDER BLOCK



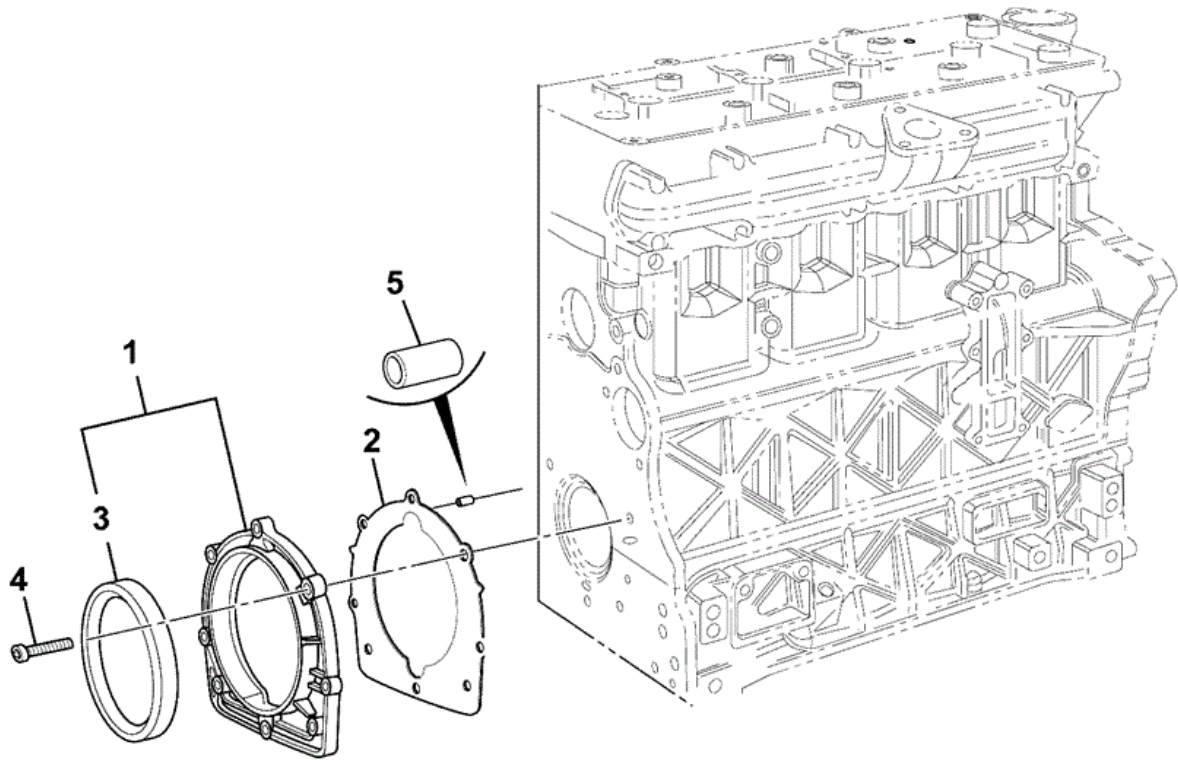
13-11300

Item	Part #	Change No	Description	Usage Code	QTY
1	333/H5016		Block cylinder <i>Includes items 10,15,16,20,21</i>		1
10	:333/C0296		Bush Camshaft		1

15	:02/961045		Plug 30mm		4
16	:02/960001		Plug 6mm		2
20	:02/961189		Gasket Copper		1
21	:02/961190		Plug M16 x 15		1
2	333/H5017		Pipe blow by		2
3	333/H5018		Adapter piston oil spray		4
4	333/H5019		Nozzle piston oil spray		4
7	333/H5020		Washer thrust std		1
8	333/H5021		Bearing main std		5
12	333/C0316		Sleeve sleeve		2
17	333/C0317		Plug dia 50mm		1
18	333/H5022		Plug m14		1



9822/0645 V120-2-1 CYLINDER BLOCK REAR OIL SEAL



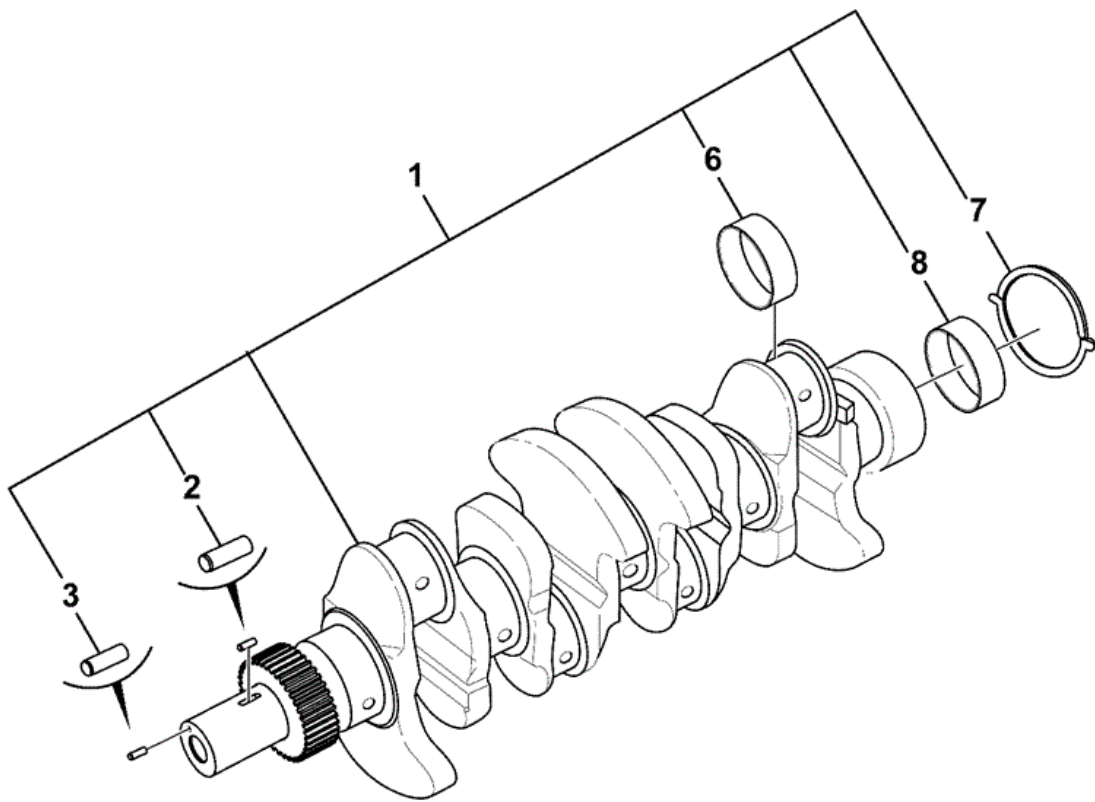
13-11000

Item	Part #	Change No	Description	Usage Code	QTY
1	333/H5176		Seal oil assy <i>Includes items 2 and 3</i>		1
3	:333/H5180		Seal oil		1

2	:333/H5179		Gasket oil seal		1
4	02/960223		Screw M6 x 22		8
5	333/H5183		Sleeve		2



9822/0645 V130-1-1 CRANKSHAFT



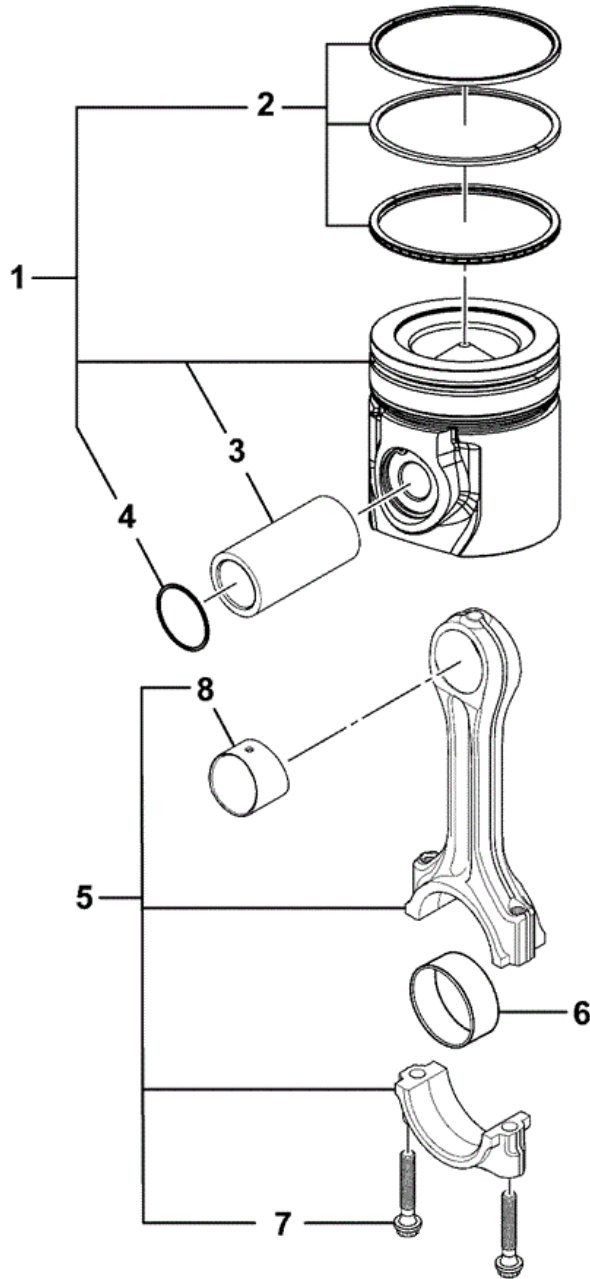
13-11200

Item	Part #	Change No	Description	Usage Code	QTY
1	333/H4957		Crankshaft assembly <i>Includes items 2,3,6,7,8</i>		1
2	:332/H9930		Key		1

3	:333/C1412		Pin	1
6	****		None serviced part <i>See conrod page</i>	1
7	****		None serviced part	1
8	****		None serviced part <i>See crankcase page</i>	1



9822/0645 V140-1-1 PISTON AND CONROD ASSEMBLIES



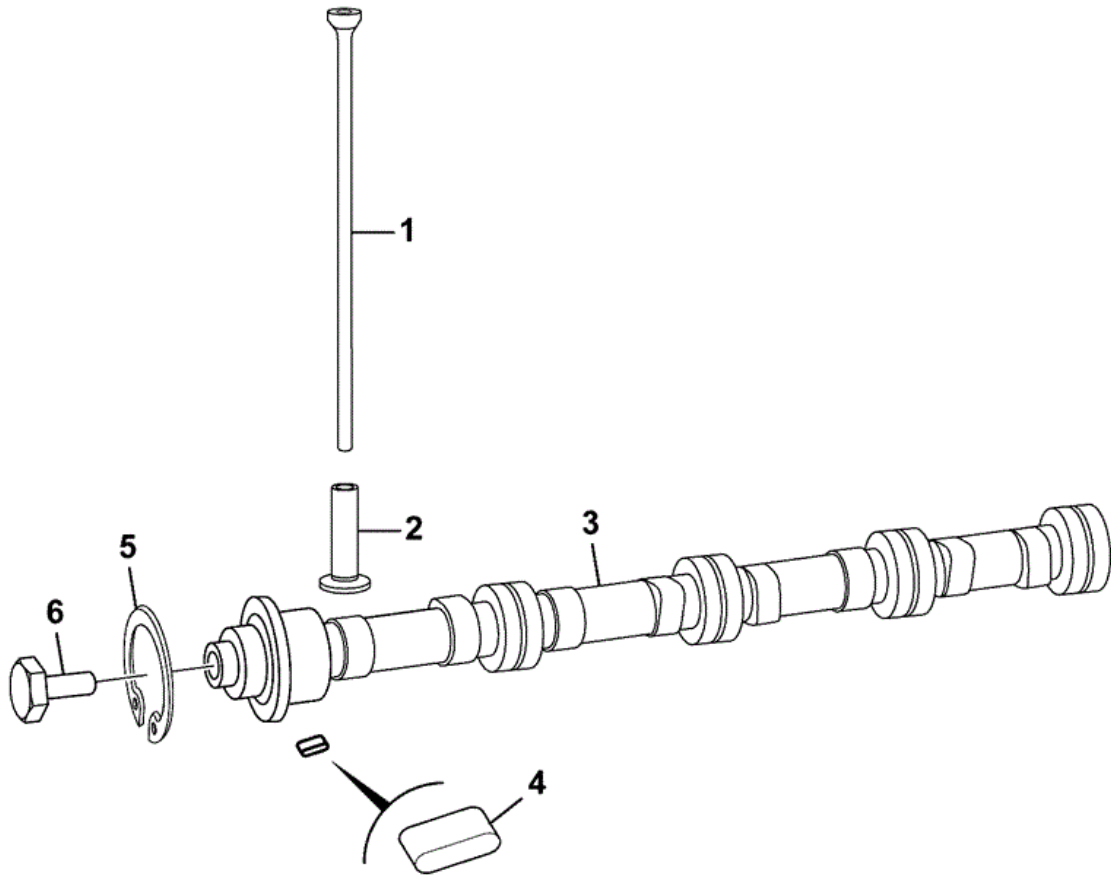
13-11190

Item	Part #	Change No	Description	Usage Code	QTY
1	333/H4969		Piston assembly <i>Includes items 2 to 4</i>		4
2	:334/C1797		Kit piston ring std		4

3	:333/H4971		Pin piston	4
4	:333/H4972		Retainer piston pin	8
5	334/D5851		Rod connecting <i>Includes items 7,8</i>	4
6	333/H4975		Bearing big end std	4
7	:333/H4976		Bolt m10x50	8
8	:333/H4978		Bush small end	4



9822/0645 V150-1-1 CAMSHAFT



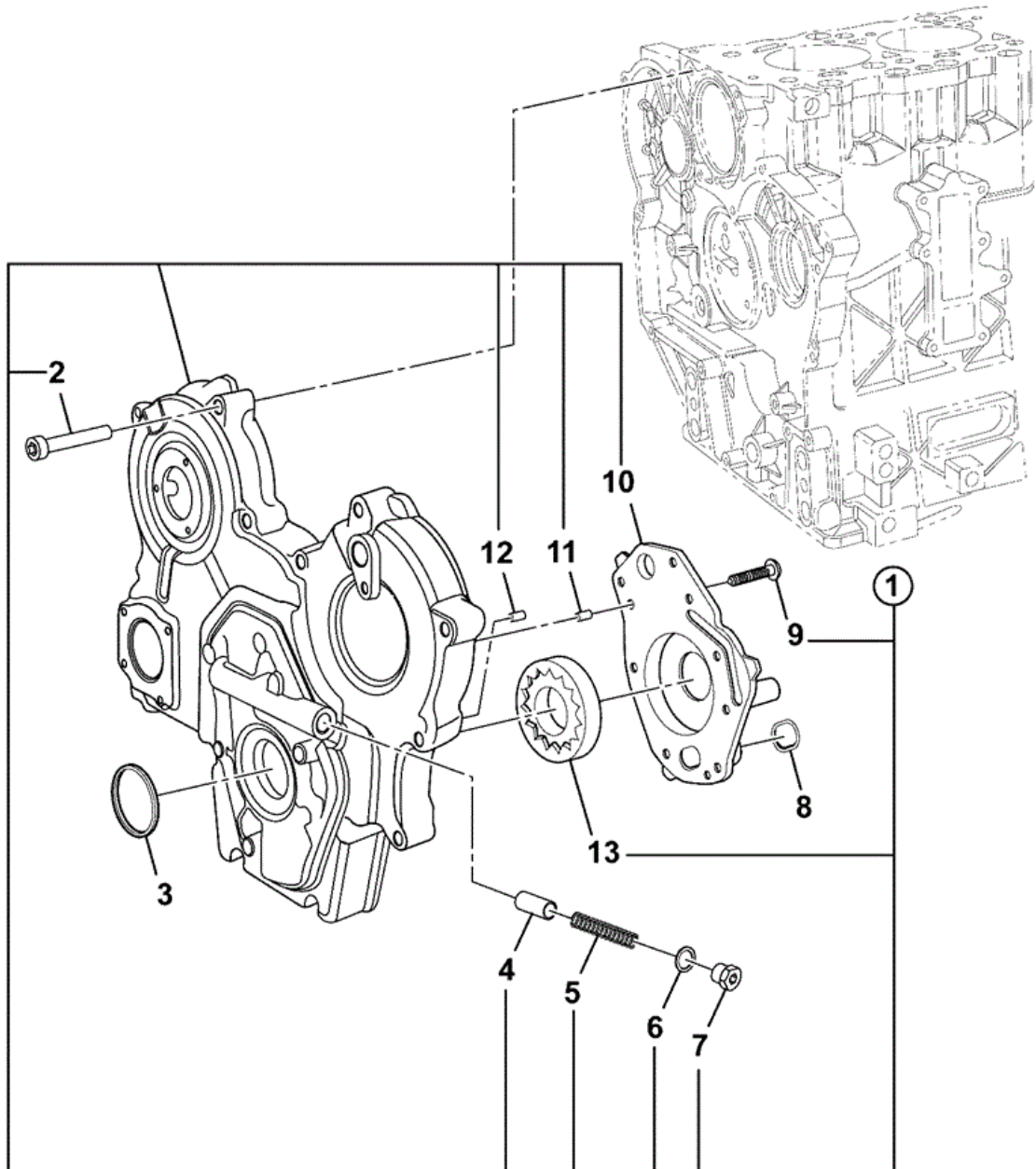
13-11180

Item	Part #	Change No	Description	Usage Code	QTY
1	333/H5294		Rod		8
2	333/H5295		Tappet		8
3	333/H5296		Camshaft		1

4	333/H5298		Key	1
5	333/H5299		Circlip	1
6	333/C0556		Bolt camshaft	1



9822/0645 V160-1-1 TIMING CASE AND OIL PUMP



13-11360

Item	Part #	Change No	Description	Usage Code	QTY
1	333/H5197		Case timing assy <i>Includes items 4,5,6,7,9,10,11,13</i>		1
4	:333/H5199		Sleeve oil by-pass		1



Download the full PDF manual instantly.

Our customer service e-mail:

aservicemanualpdf@yahoo.com