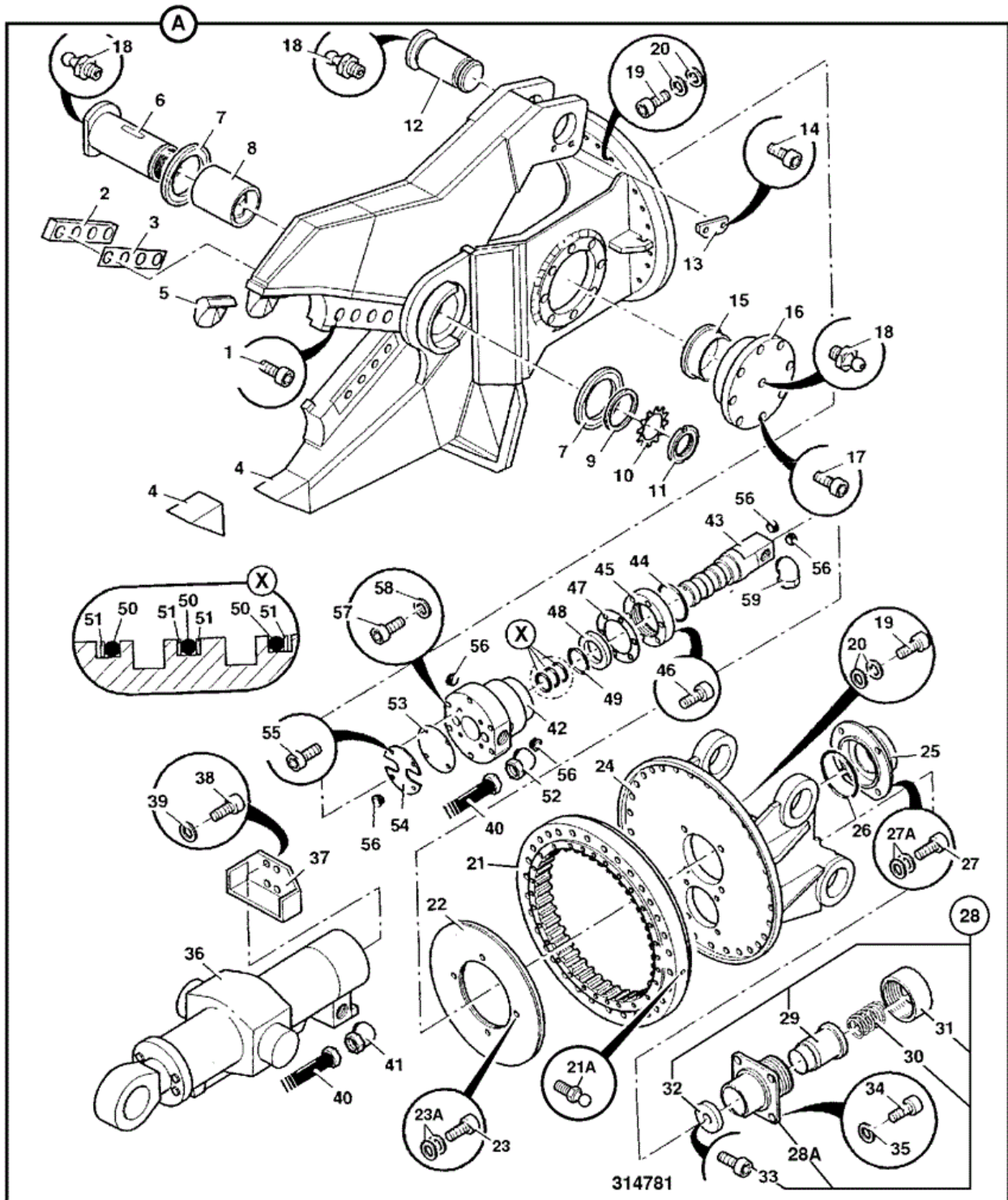


**JCB** 9802/9750 A3-26-1 CUTTER/CRUSHER CM500

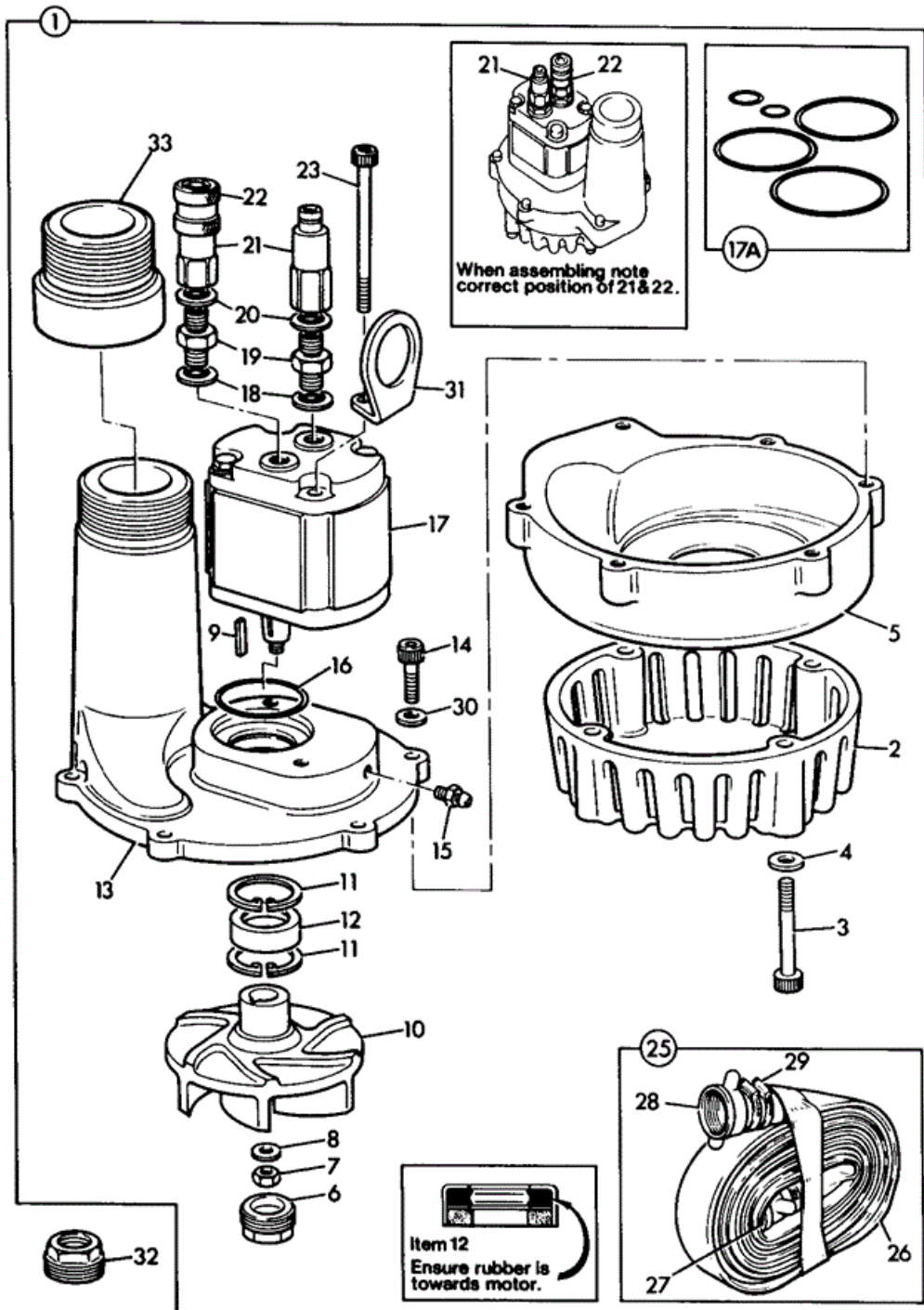


Item	Part #	Change No	Description	Usage Code	QTY
A	NLA		No Longer Available		1
1	:903/05156		Capscrew		8

2	:983/00545		Blade cutter		2
3	:983/00546		Shim		0
4	:983/00547		Tooth		1
5	:983/00548		Breaker		1
6	:983/00549		Shaft		1
7	:983/00550		Plate spacer		2
8	:983/00551		Bush		1
9	:983/00552		Washer		1
10	:983/00553		Washer lock		1
11	:983/00554		Nut axle		1
12	:983/00555		Shaft		1
13	:983/00556		Bar		1
14	:983/00079		Capscrew		2
15	:983/00557		Bush		1
16	:983/00558		Cap		1
17	:983/00559		Capscrew M12 x 25		8
18	:903/04643		Nipple grease		4
19	:1391/3516		Screw cap		60
20	:903/04849		Washer locking		60
21	:983/10115		Ring slew		1
21A	:983/00021		Nipple grease		1
21B	:983/10120		Seal Slew ring Cutter crusher		1
22	:983/00563		Plate		1
23	:983/00079		Capscrew		4
24	:983/10116		Body end Cutter crusher		1
24A	:983/00561		Washer lock		12
25	:983/10117		Stop slew stop Cutter crusher		1
26	:983/00566		O Ring		1
27	:903/05156		Capscrew		4
28	:983/10119		Brake assembly Cutter crusher		1
28A	::983/00568		Body		1
29	::983/00569		Guide spring		1
30	::983/00570		Spring		1
31	::983/00571		Cover		1
32	::983/10118		Plate cutter crusher		1
33	::826/10478		Capscrew		1
34	:983/00559		Capscrew M12 x 25		4
35	:903/04849		Washer locking		4
36	:983/00576		Ram hydraulic cylinder Cutter crusher		1
37	:983/00577		Casing		1
38	:983/00578		Capscrew M10 x 16		4
39	:983/00579		Washer spring		4
40	:983/00580		Hose		2
41	:983/00581		Elbow		1
42	:983/00582		Body		1
43	:983/00583		Spool		1
44	:983/00584		Wiper		1
45	:983/00585		Cover		1
46	:983/00586		Capscrew M6 x 16		6
47	:983/00587		Seal		1
48	:983/00595		Bearing ball		1

49	:983/00588		Ring retaining		1
50	:983/00589		O Ring		3
51	:983/00590		Ring supporting		4
52	:983/00591		Elbow		1
53	:983/00592		Seal		1
54	:983/00593		Cover		1
55	:983/00057		Capscrew		4
56	:903/03218		Plug Flange		2
57	:983/00594		Capscrew M8 x 60		6
58	:983/00561		Washer lock		6
59	:983/00591		Elbow		1
60	613/07700		Hose 980 lg		2
61	1604/0004		Adaptor Male		4
62	1406/0018		Washer Bonded (1/2" BSP)		4
63	816/40014		Adapter		2
64	45/910400		Coupling 1/2" BSP female quick release		1
65	45/910500		Coupling 1/2" BSP male quick release		1

**JCB** 9802/9750 A3-34-1 PUMP, SUBMERSIBLE

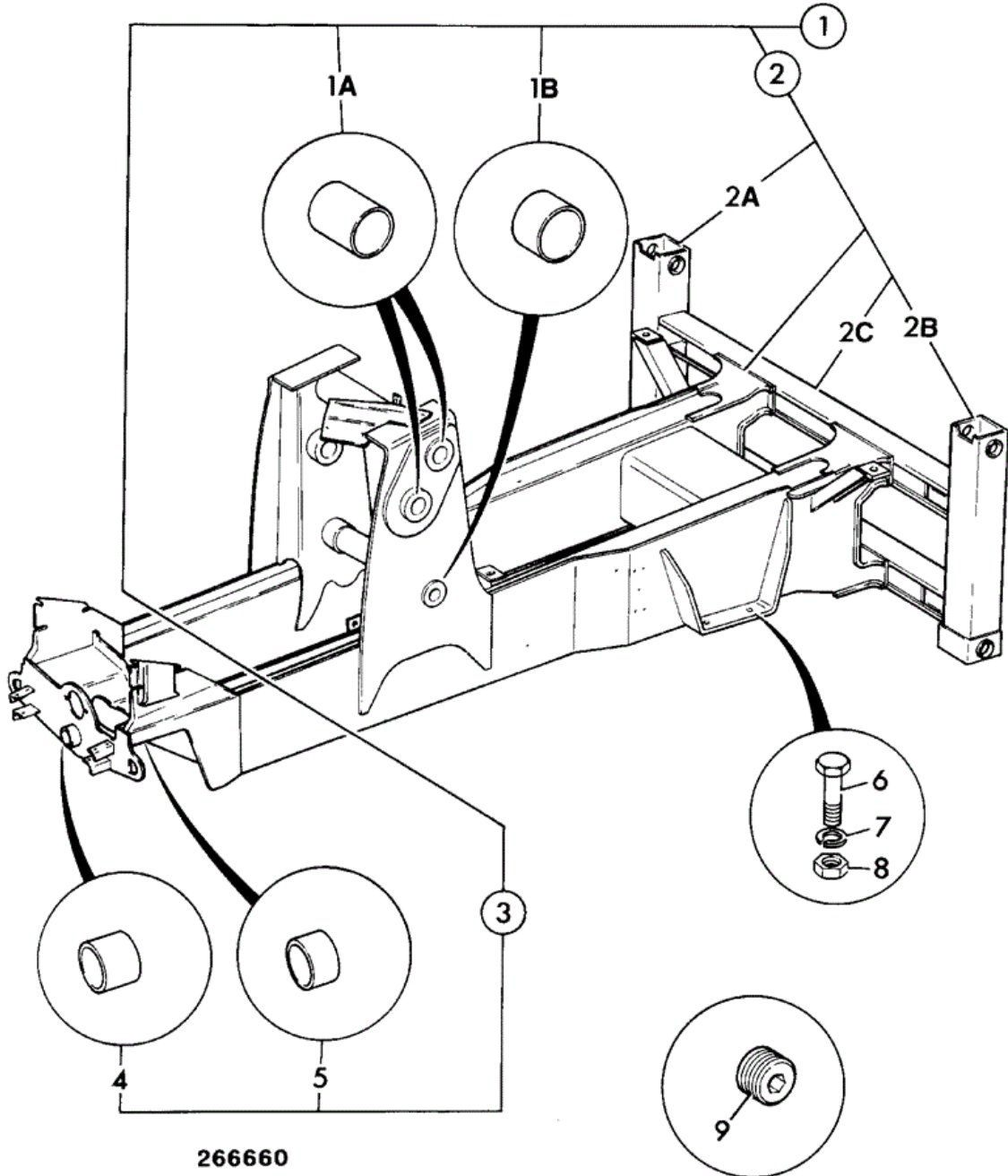


100210

Item	Part #	Change No	Description	Usage Code	QTY
1	929/04500		Pump & hose assembly submersible		1
2	:929/03902		Body strainer		1
3	:1315/3315Z		Bolt Star Drive M8 x 65mm		4
4	:1420/0008Z		Washer (M10)		4
5	:929/04800		Housing impellor		1
6	:929/03911		Plug		1
7	:1340/0302		Nut		1
8	:929/03913		Washer lock		1
9	:929/03912		Key drive		1
10	:929/04501		Impellor		1
11	:2203/1043		Circlip		2
12	:929/03906		Seal		1
13	:929/04700		Body casting		1
14	:1391/3308Z		Capscrew		6
15	:1450/0003		Nipple grease		1
16	:2401/0127		O Ring		1
17	:929/04503		Motor hydraulic		1
17A	::929/03914		Kit-seal motor		1
18	:1406/0018		Washer Bonded (1/2" BSP)		2
19	:1606/0007		Adapter		2
20	:1406/0015		Washer Bonded 3/8"		2
21	:PP/1200		Coupling male quick release		1
22	:PP/1201		Coupling female quick release		1
23	:1391/3420		Screw cap M10 x 100		2
25	:97074		Hose discharge 2in		1
26	::PP/4035		Hose		1
27	::PP/4004		Nozzle discharge		1
28	::PP/4034		Adapter discharge pump end		1
29	::2201/0010		Clip jubilee		4
30	:1420/0007Z		Washer (M8)		6
31	:929/03910		Hook lifting pump		1
32	929/04900		Tool extraction		1
33	929/04701		Adapter steel hose		1



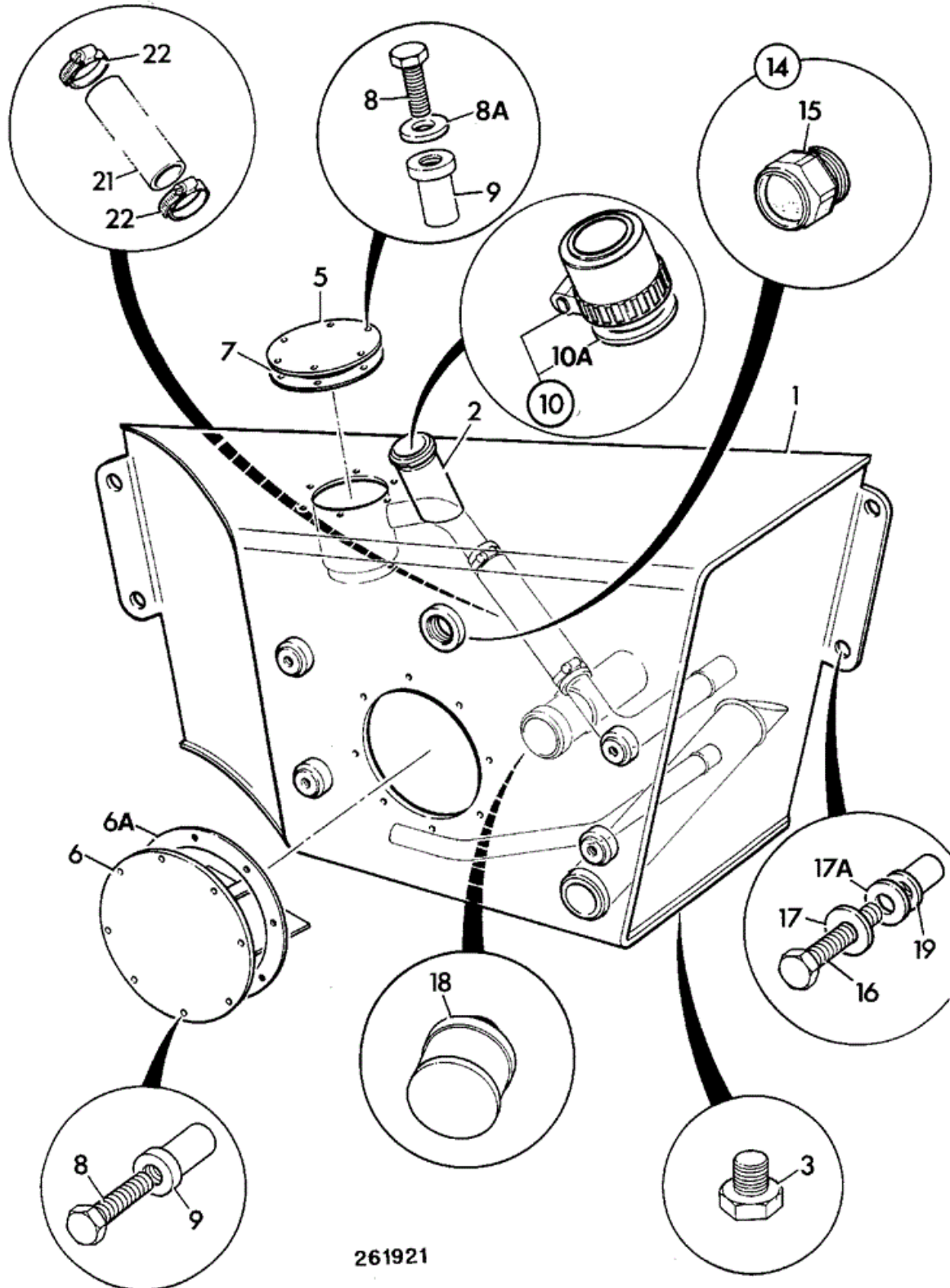
## 9802/9750 B1-1-1 CHASSIS SIDESHIFT 2WS



Item	Part #	Change No	Description	Usage Code	QTY
1	126/01761	<M480988	Chassis 7'4" sideshift 2ws		1
1	125/00557		Chassis 2ws 7'4" gearpump		1

1A	:809/00102		Bearing Liner <i>Loader arm pivot &amp; level link pivot.</i>	4
1B	:809/00093		Bearing Liner <i>Lift ram pivot.</i>	2
2	:125/00198		Frame 7'4" sideshift rear	1
2A	::125/00195		Housing right hand stabiliser	1
2B	::125/00194		Housing left hand stabiliser	1
2C	::125/00196		Crossrail 7'4" sideshift	1
2D	:123/06409		Housing wear pad	2
3	:125/94500		Yoke 2ws axle	1
4	::829/01215		Boss <i>Front</i>	1
6	826/01206		Bolt <i>Axle mount</i>	4
7	1411/0010Z		Washer	4
8	826/01207		Nut	4
9	835/10026		Plug plastic	17

**JCB** 9802/9750 B1-2-1 TANK, HYDRAULIC

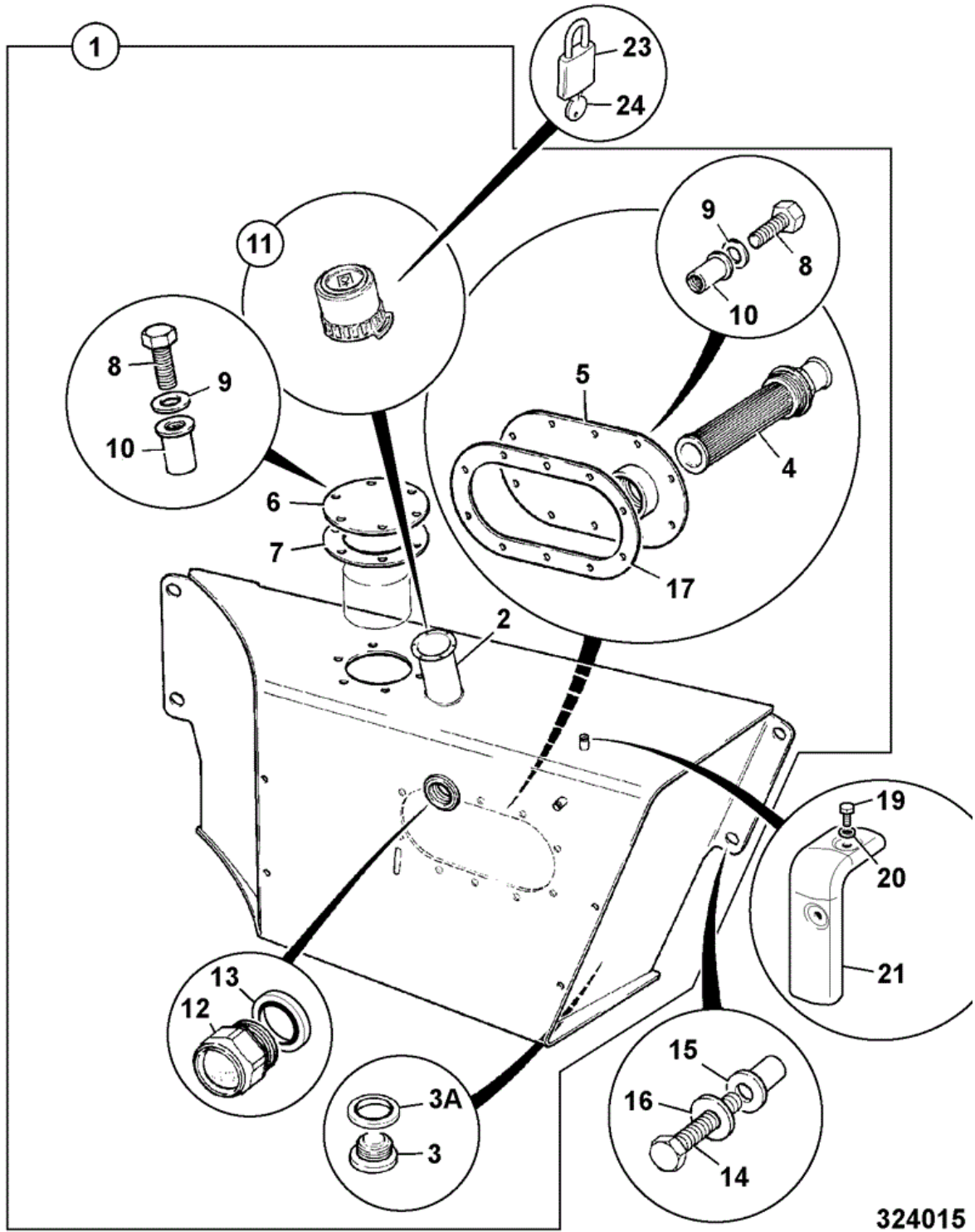


261921



Item	Part #	Change No	Description	Usage Code	QTY
1	126/02334	Superseded	Tank hydraulic		1
1	126/03177		Tank hydraulic		1
2	:123/02827		Tube hydraulic filler neck		1
3	:816/83019		Plug drain		1
5	123/06717		Cover plate		1
6	:125/23000		Cover		1
6A	:813/00360		Gasket 8 Hole		1
7	813/00466		Gasket		1
8	:1315/0205Z		Setscrew M6 x 20mm		14
8A	1420/0006Z		Washer (M6)		14
9	826/01264		Nut M8 blind rivet nut <i>Use with item 5</i>		6
9	826/01316		Nut M6 Rivet <i>Use with item 6</i>		8
10	123/07092		Cap hydraulic filler		1
10A	123/04056		Seal cap		1
10B	:993/99665		Kit-element & seals		1
14	123/06187		Gauge sight		1
14	123/08053		Gauge Sight 50mm		1
14A	816/00193		Cap blanking 1"BSP steel		1
15	:813/00468		Gasket fibre LMA 11/4		1
16	1315/0507		Setscrew		4
17	823/00589		Washer (13mm x 40mm x 5mm)		4
18	32/908100		Strainer suction		1
19	826/01717		Nut rivet M12		4
20	123/05395		Spacer flange		1
21	648/00514		Hose suction <i>Fitted to filter return pipe 265mm long</i>		1
22	2201/0009		Clip Jubilee		4

**JCB** 9802/9750 B1-2-2 TANK, HYDRAULIC



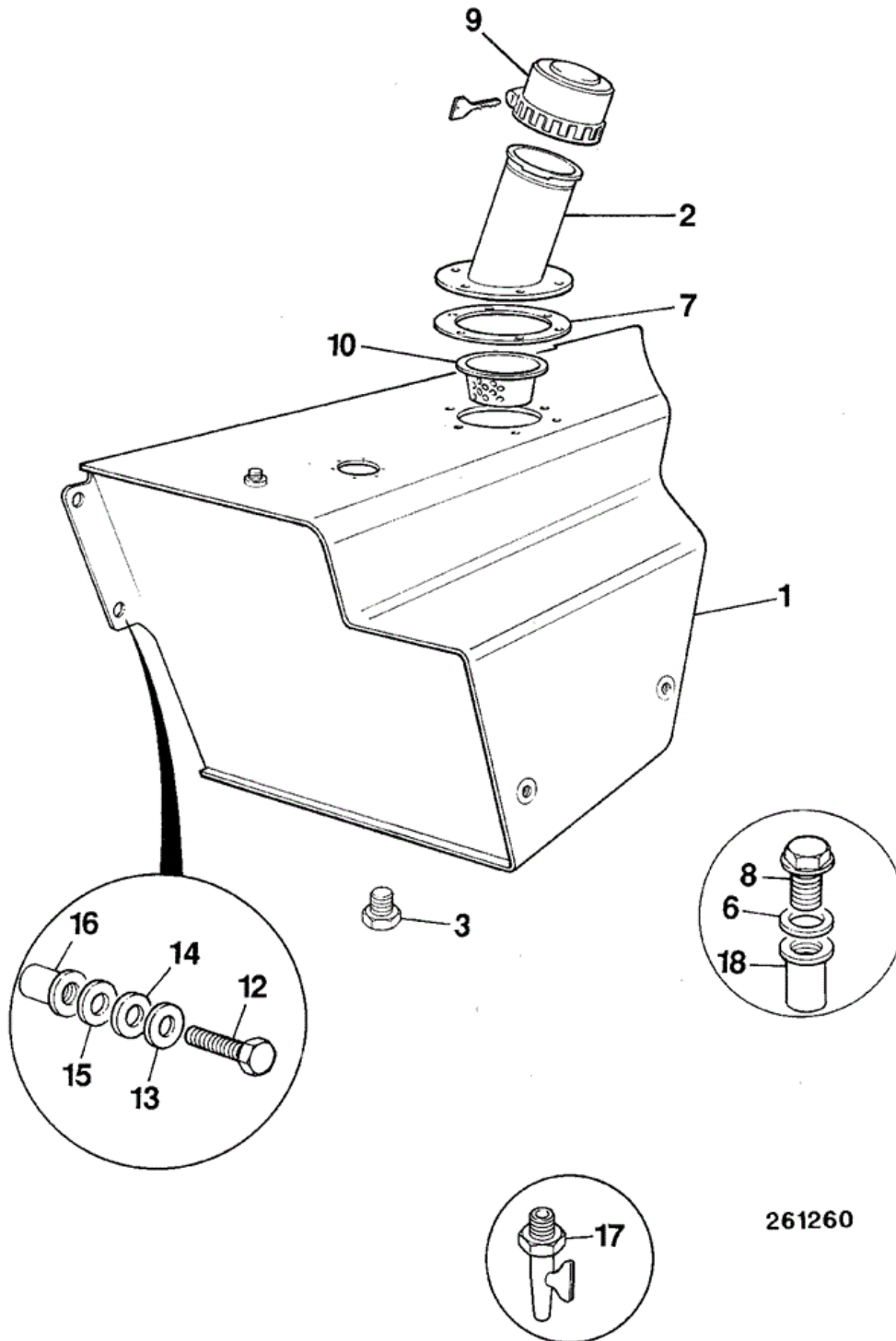
324015

Item	Part #	Change No	Description	Usage Code	QTY
1	126/03224		Tank hydraulic		1
2	:123/02827		Tube hydraulic filler neck		1

3	:123/08086		Plug drain	1
4	:32/920300		Element Filter 125 micron	1
4A	:32/920301		O Ring	1
5	:125/00579		Cover tank inspection	1
6	:123/06717		Cover plate	1
7	:813/00466		Gasket	1
8	:1315/0307Z		Setscrew M8 X 25	16
9	:1420/0007Z		Washer (M8)	16
10	:826/10381		Rivet nut M8 closed	16
11	:123/07092		Cap hydraulic filler	1
12	:123/08053		Gauge Sight 50mm	1
13	:25/700013		O Ring	1
14	1315/0510Z		Bolt M12x40	4
15	826/01717		Nut rivet M12	4
16	823/00589		Washer (13mm x 40mm x 5mm)	4
17	123/09018		Gasket hydraulic tank	1
18	926/29000		Buffer cable cover	1
19	1315/0203Z		Setscrew	2
20	1420/0006Z		Washer (M6)	2
21	123/09019		Cover cable	1



# 9802/9750 B1-3-1 TANK, DIESEL FUEL 150 LITRES

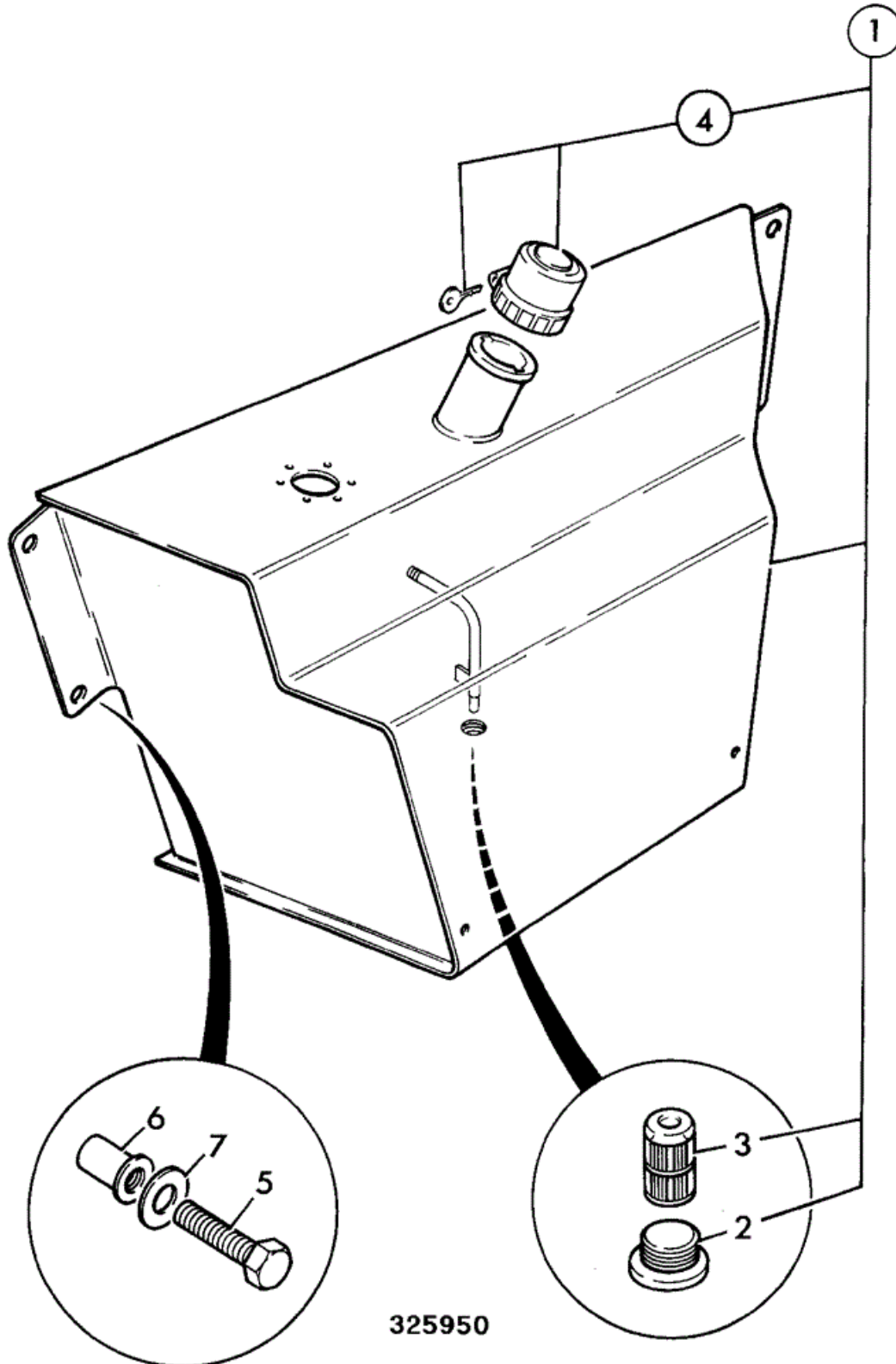


Item	Part #	Change No	Description	Usage Code	QTY
1	126/02638		Tank diesel fuel 150 litre <i>Use with Darwin engine</i>		1

1	126/02641		Tank diesel fuel 150liter use with H.P.T.O. <i>Use with Darwin engine</i>	1
2	:125/97100		Plate neck, diesel filler	1
3	:816/83018		Plug	1
6	:826/01316		Nut M6 Rivet	6
7	:813/00375		Gasket	1
8	:1315/0203Z		Setscrew	6
9	:123/05892		Cap filler, lockable supplied without key	1
9A	::123/06343		Seal	1
10	:123/05893		Strainer fuel, guaze	1
12	1315/0507Z		Setscrew M12 x 25	4
13	823/00589		Washer (13mm x 40mm x 5mm)	4
14	****		'See Remark' <i>Not required</i>	0
15	1412/0004Z		Washer (7/16" Large)	4
16	826/01717		Nut rivet M12	4
17	123/01419		Tap diesel <i>Optional</i>	1
18	826/01316		Nut M6 Rivet	6



# 9802/9750 B1-3-2 TANK, DIESEL FUEL 150 LITRES



Item	Part #	Change No	Description	Usage Code	QTY
1	126/03262		Tank diesel fuel 150 litre		1
1	128/10201		Tank Diesel fuel 150lt hyd. power take-off		1
2	:123/08086		Plug drain		1
3	:704/30200		Filter fuel-diesel		1
4	:123/05892		Cap filler, lockable supplied without key <i>For key see ignition switch.</i>		1
5	1315/0510Z		Bolt M12x40		4
6	826/01717		Nut rivet M12		4
7	823/00589		Washer (13mm x 40mm x 5mm)		4



**Download the full PDF manual instantly.**

**Our customer service e-mail:**

**[aservicemanualpdf@yahoo.com](mailto:aservicemanualpdf@yahoo.com)**