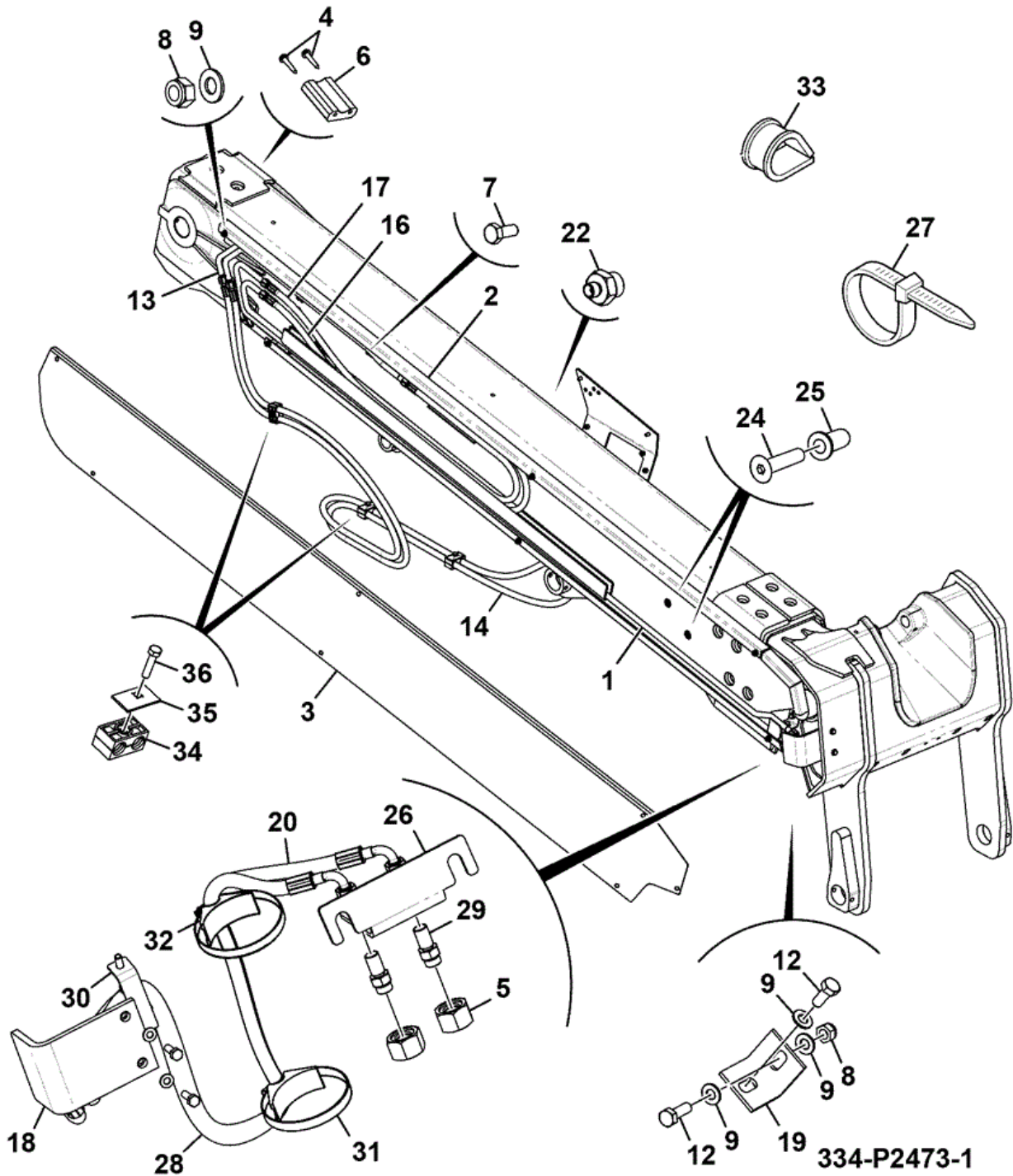


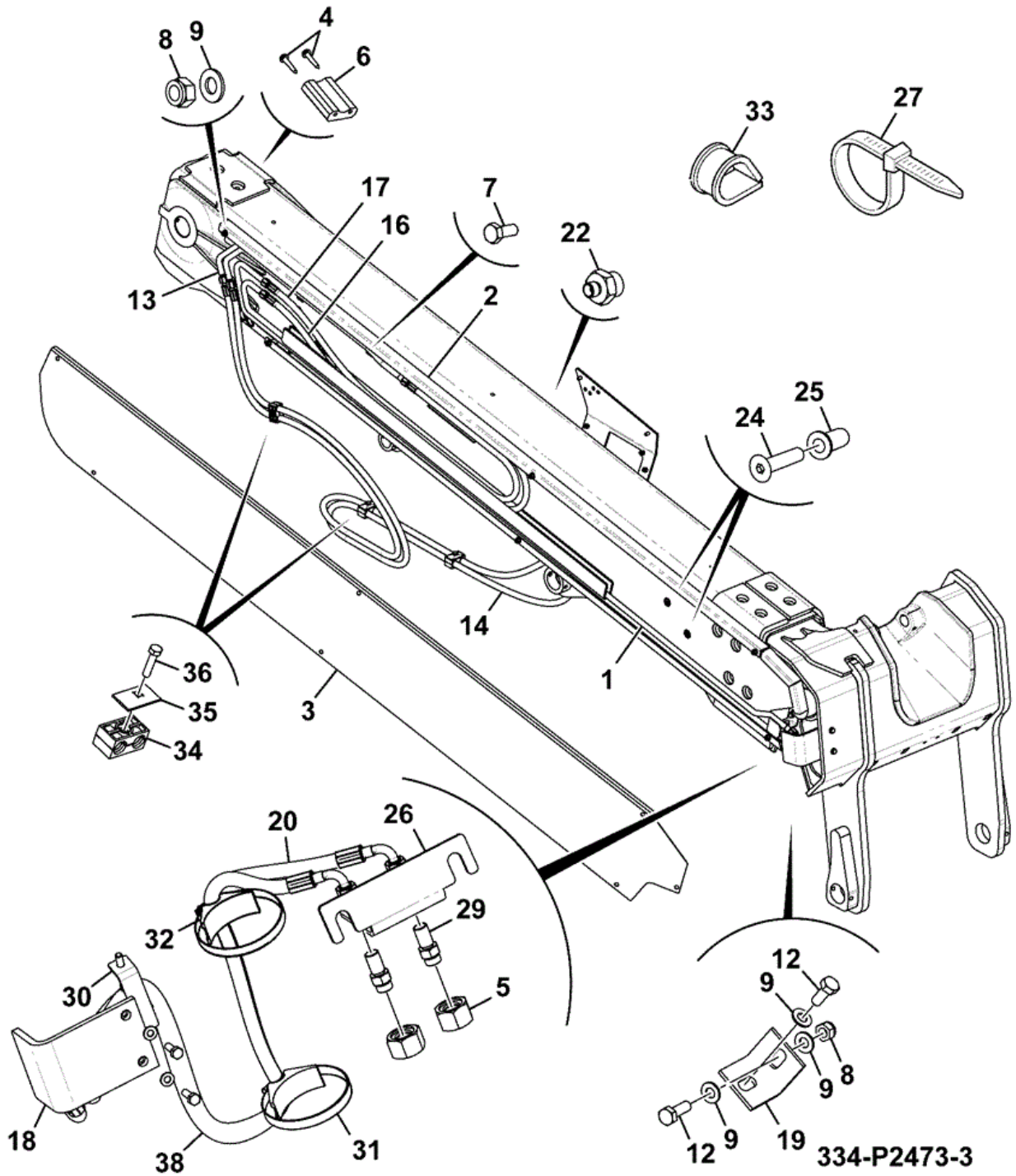
**JCB** 9822/0675 E120-60-1 HYDRAULIC CIRCUITS LOADER END  
 HOSE AND PIPEWORK AUXILIARY



| Item | Part #    | Change No | Description   | Usage Code | QTY |
|------|-----------|-----------|---------------|------------|-----|
| 1    | 830/13367 |           | Pipe Assembly |            | 1   |

|    |            |  |                              |    |
|----|------------|--|------------------------------|----|
| 2  | 650/10274  |  | Tray auxiliary hoses         | 1  |
| 3  | 650/10272  |  | Cover auxiliary hose tray    | 1  |
| 4  | 1430/0204  |  | Screw                        | 2  |
| 5  | 816/90611  |  | Cap blanking 3/4-16 UNF      | 2  |
| 6  | 331/59531  |  | Pad wear                     | 1  |
| 7  | 1315/0305D |  | Setscrew M8 x 20mm           | 3  |
| 8  | 1370/0203D |  | Nut Lock M8                  | 8  |
| 9  | 1420/0007D |  | Washer (M8)                  | 14 |
| 12 | 1315/0307D |  | Setscrew M8 x 25 mm          | 4  |
| 13 | 335/04041  |  | Pipe assembly                | 1  |
| 14 | 612/80223  |  | Hose 3/8"                    | 2  |
| 16 | 612/72013  |  | Hose 3/8"                    | 1  |
| 17 | 612/72014  |  | Hose 3/8"                    | 1  |
| 18 | 295/10078  |  | Guard pipe                   | 1  |
| 19 | 331/59479  |  | Bracket                      | 1  |
| 20 | 612/36800  |  | Hose 3/8"                    | 2  |
| 22 | 816/90152  |  | Adaptor M/M 3/8BSPx7/8SAE    | 2  |
| 24 | 826/01814  |  | Screw Countersunk M8x35      | 4  |
| 25 | 826/01106  |  | Nut Rivet, M8                | 4  |
| 26 | 331/42793  |  | Bracket quick release        | 1  |
| 27 | 121/77603  |  | Tie Cable 300mm              | 4  |
| 28 | 647/10101  |  | Sleeve Polyurethane 650mm LG | 1  |
| 29 | 816/90070  |  | Adapter bulkhead             | 2  |
| 30 | 295/10108  |  | Bracket water hose           | 1  |
| 31 | 2201/0017  |  | Clip Worm Drive 110-140mm    | 2  |
| 32 | 242/00373  |  | Clamp hose                   | 2  |
| 33 | 821/00182  |  | Insert clamp                 | 2  |
| 34 | 821/00347  |  | Clamp Twin                   | 3  |
| 35 | 821/00169  |  | Plate Cover                  | 3  |
| 36 | 1315/0309D |  | Setscrew M8 x 35 mm          | 3  |

**JCB** 9822/0675 E120-60-5 HYDRAULIC CIRCUITS LOADER END  
 AUXILIARY 2,ASSEMBLY



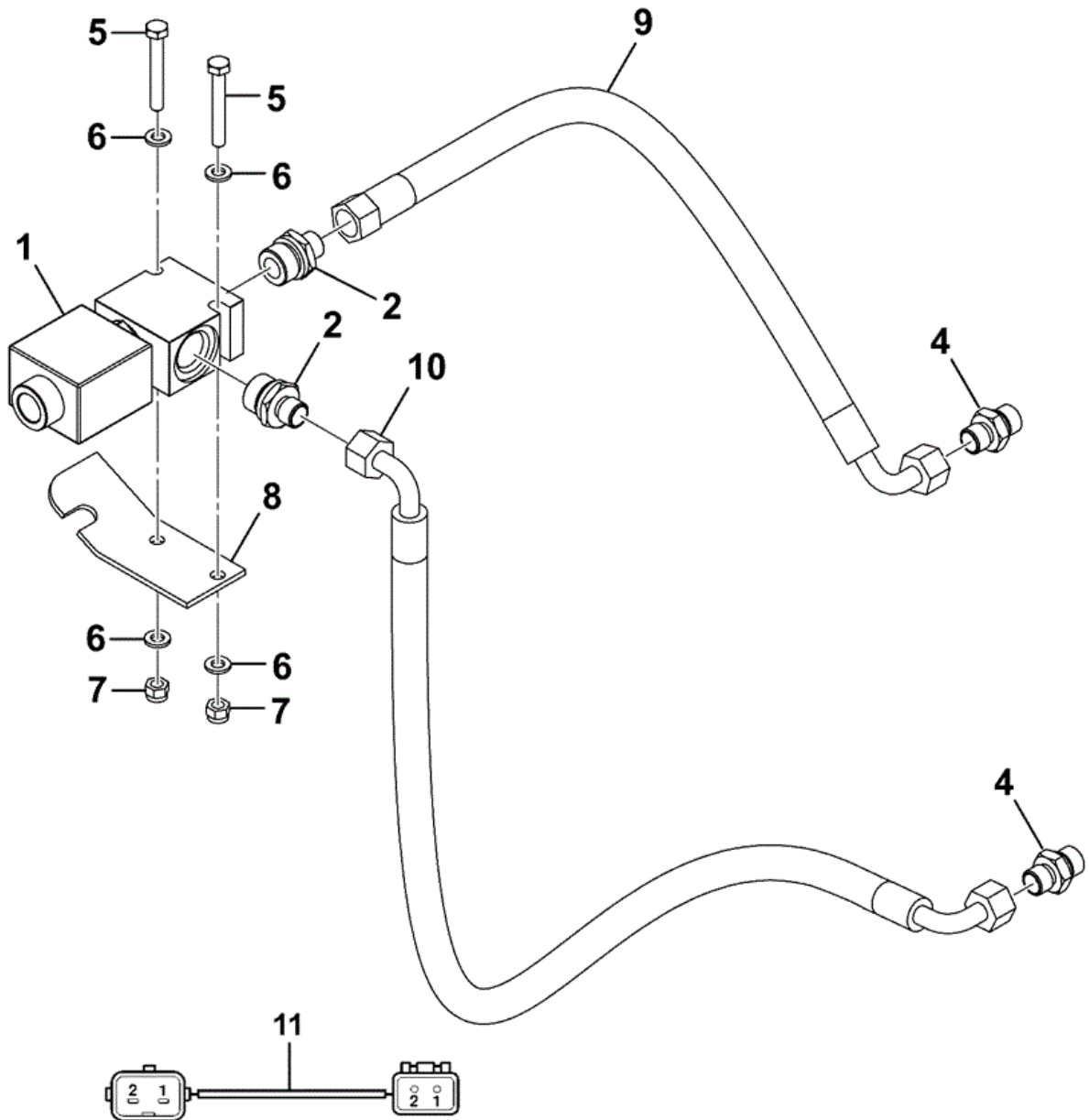
| Item | Part #    | Change No | Description   | Usage Code | QTY |
|------|-----------|-----------|---------------|------------|-----|
| 1    | 830/13367 |           | Pipe Assembly |            | 1   |

|    |            |  |                              |    |
|----|------------|--|------------------------------|----|
| 2  | 650/10274  |  | Tray auxiliary hoses         | 1  |
| 3  | 650/10272  |  | Cover auxiliary hose tray    | 1  |
| 4  | 1430/0204  |  | Screw                        | 2  |
| 5  | 816/90611  |  | Cap blanking 3/4-16 UNF      | 2  |
| 6  | 331/59531  |  | Pad wear                     | 1  |
| 7  | 1315/0305D |  | Setscrew M8 x 20mm           | 3  |
| 8  | 1370/0203D |  | Nut Lock M8                  | 8  |
| 9  | 1420/0007D |  | Washer (M8)                  | 14 |
| 12 | 1315/0307D |  | Setscrew M8 x 25 mm          | 4  |
| 13 | 335/04041  |  | Pipe assembly                | 1  |
| 14 | 612/80223  |  | Hose 3/8"                    | 2  |
| 16 | 612/72013  |  | Hose 3/8"                    | 1  |
| 17 | 612/72014  |  | Hose 3/8"                    | 1  |
| 18 | 295/10078  |  | Guard pipe                   | 1  |
| 19 | 331/59479  |  | Bracket                      | 1  |
| 20 | 612/36800  |  | Hose 3/8"                    | 2  |
| 22 | 816/90152  |  | Adaptor M/M 3/8BSPx7/8SAE    | 2  |
| 24 | 826/01814  |  | Screw Countersunk M8x35      | 4  |
| 25 | 826/01106  |  | Nut Rivet, M8                | 4  |
| 26 | 331/42793  |  | Bracket quick release        | 1  |
| 27 | 121/77603  |  | Tie Cable 300mm              | 4  |
| 29 | 816/90070  |  | Adapter bulkhead             | 2  |
| 30 | 295/10108  |  | Bracket water hose           | 1  |
| 31 | 2201/0017  |  | Clip Worm Drive 110-140mm    | 2  |
| 32 | 242/00373  |  | Clamp hose                   | 2  |
| 33 | 821/00182  |  | Insert clamp                 | 2  |
| 34 | 821/00347  |  | Clamp Twin                   | 3  |
| 35 | 821/00169  |  | Plate Cover                  | 3  |
| 36 | 1315/0309D |  | Setscrew M8 x 35 mm          | 3  |
| 38 | 647/10101  |  | Sleeve Polyurethane 650mm LG | 0  |



# 9822/0675 E130-1-1 HYDRAULIC CIRCUITS CHASSIS

## VALVE



295-30010-4

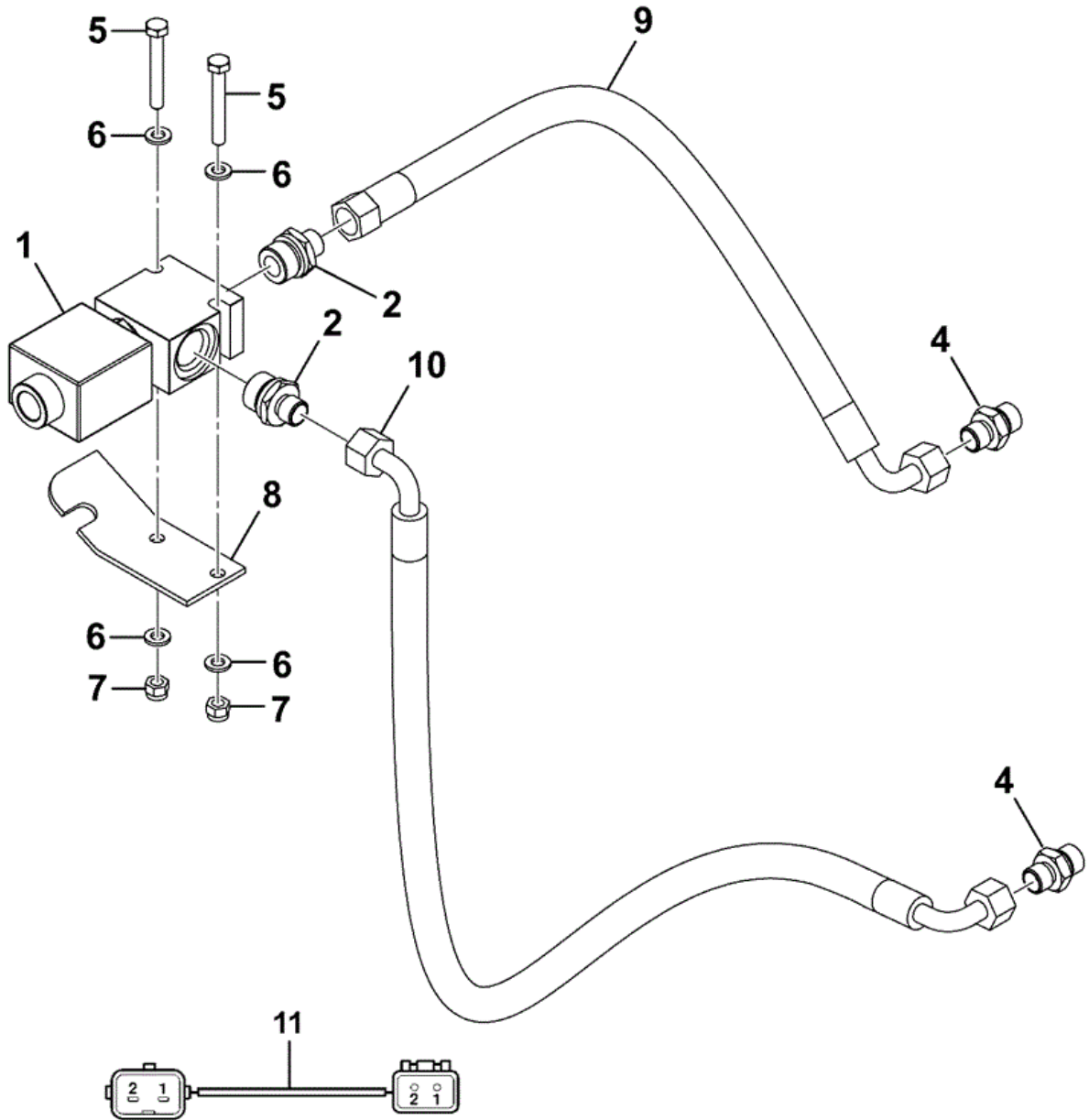
| Item | Part #    | Change No | Description    | Usage Code | QTY |
|------|-----------|-----------|----------------|------------|-----|
| 1    | 25/221268 |           | Valve solenoid |            | 1   |

|    |            |  |   |   |
|----|------------|--|---|---|
| 2  | 1620/2063  |  | Adaptor 1/4BSP x 3/4SAE                           | 2 |
| 4  | 1620/2051  |  | Adaptor 1/4"BSP x 9/16"SAE                        | 2 |
| 5  | 1315/3211D |  | Bolt M6x45mm long                                 | 2 |
| 6  | 1420/0006D |  | Washer (M6)                                       | 4 |
| 7  | 1370/0103D |  | Nut (M6)  | 2 |
| 8  | 331/23293  |  | Bracket mounting valve                            | 1 |
| 9  | 611/27900  |  | Hose 1/4"BSP x 430mm                              | 1 |
| 10 | 611/51000  |  | Hose 1/4"BSP 650mm long                           | 1 |
| 11 | 721/10763  |  | Harness 2-way link 40mm long Deutsch-AMP/Jnrtimer | 1 |



# 9822/0675 E130-1-5 HYDRAULIC CIRCUITS CHASSIS

## VALVE



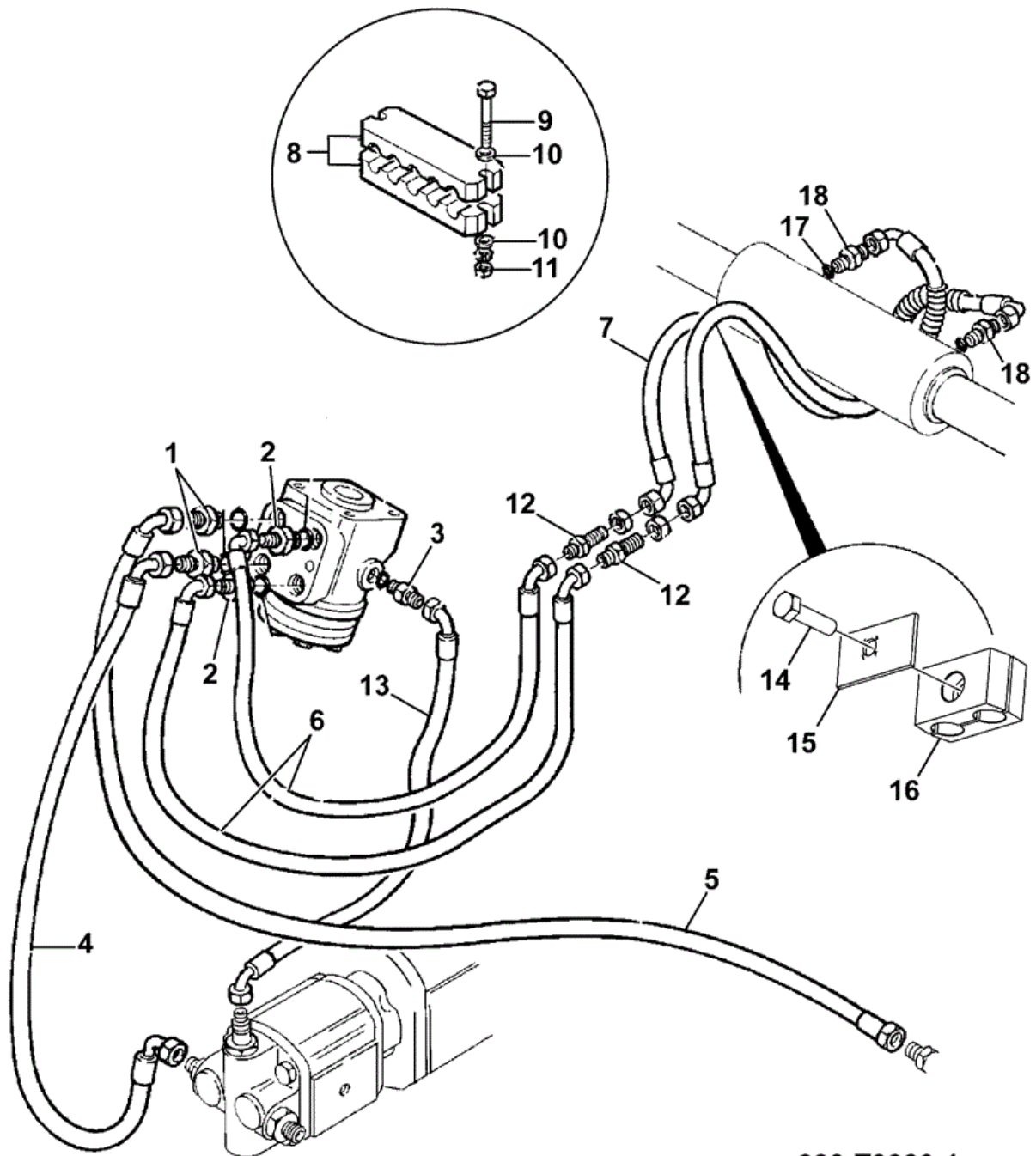
**295-30010-4**

| Item | Part #    | Change No | Description    | Usage Code | QTY |
|------|-----------|-----------|----------------|------------|-----|
| 1    | 334/S0311 |           | Solenoid Valve |            | 1   |

|    |            |  |   |   |
|----|------------|--|---|---|
| 2  | 1620/2063  |  | Adaptor 1/4BSP x 3/4SAE                           | 2 |
| 4  | 1620/2051  |  | Adaptor 1/4"BSP x 9/16"SAE                        | 2 |
| 5  | 1315/3211D |  | Bolt M6x45mm long                                 | 2 |
| 6  | 1420/0006D |  | Washer (M6)                                       | 4 |
| 7  | 1370/0103D |  | Nut (M6)  | 2 |
| 8  | 331/23293  |  | Bracket mounting valve                            | 1 |
| 9  | 611/27900  |  | Hose 1/4"BSP x 430mm                              | 1 |
| 10 | 611/51000  |  | Hose 1/4"BSP 650mm long                           | 1 |
| 11 | 721/10763  |  | Harness 2-way link 40mm long Deutsch-AMP/Jnrtimer | 1 |



**JCB** 9822/0675 E190-5-1 OTHER HYDRAULIC CIRCUITS STEER  
 CIRCUIT ASSEMBLY

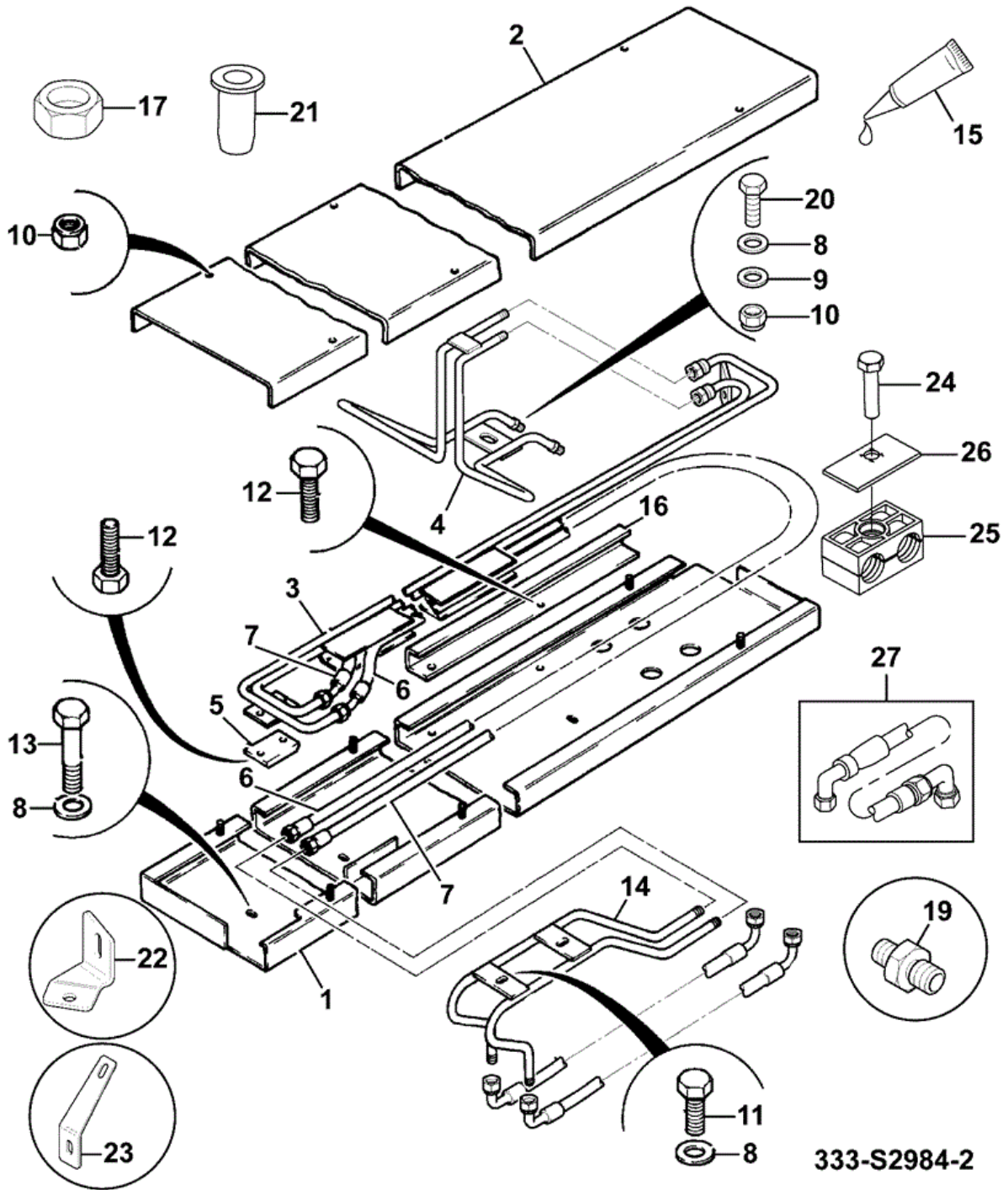


333-T9380-1

| Item | Part #    | Change No | Description           | Usage Code | QTY |
|------|-----------|-----------|-----------------------|------------|-----|
| 1    | 1620/2053 |           | Adaptor 3/8BSPx3/4SAE |            | 2   |

|    |            |  |                                 |   |
|----|------------|--|---------------------------------|---|
| 2  | 1620/2063  |  | Adaptor 1/4BSP x 3/4SAE         | 2 |
| 3  | 1620/2050  |  | Adaptor 1/4BSP x 7/16SAE        | 1 |
| 4  | 332/S5696  |  | Hose                            | 1 |
| 5  | 612/43100  |  | Hose 3/8"BSP x 880mm            | 1 |
| 6  | 611/80123  |  | Hose 1/4" HP                    | 2 |
| 7  | 611/45500  |  | Hose high pressure              | 1 |
| 8  | 333/L4306  |  | Clamp Hose                      | 4 |
| 9  | 1315/3414Z |  | Bolt M10x60                     | 2 |
| 10 | 1420/0008Z |  | Washer (M10)                    | 4 |
| 11 | 1370/0303Z |  | Nut lock M10                    | 2 |
| 12 | 816/90005  |  | Adaptor Bulkhead M/M            | 2 |
| 13 | 611/51100  |  | Hose 1/4" HP Half Wire Covering | 2 |
| 14 | 1315/0308D |  | Setscrew M8 x 30 mm             | 1 |
| 15 | 821/00169  |  | Plate Cover                     | 1 |
| 16 | 821/00234  |  | Clamp 16mm/16mm holes 26mm high | 1 |
| 17 | 1406/0011  |  | Washer Bonded (1/4")            | 2 |
| 18 | 1604/2051  |  | Adaptor                         | 2 |
| 19 | 333/U4211  |  | Valve Steer                     | 1 |

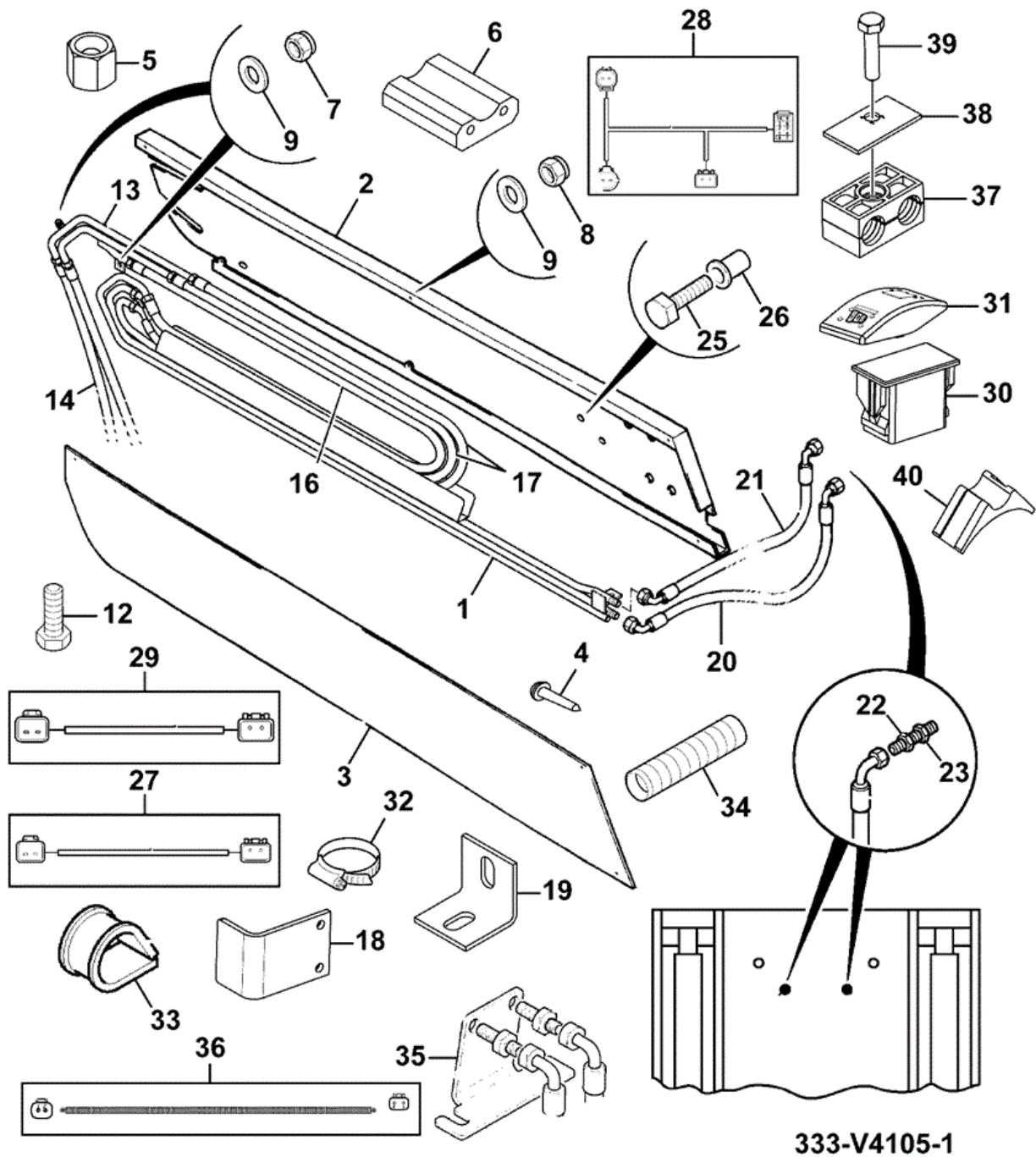
**JCB** 9822/0675 E190-25-1 OTHER HYDRAULIC CIRCUITS HOSE AND PIPEWORK AUXILIARY



| Item | Part #    | Change No | Description             | Usage Code | QTY |
|------|-----------|-----------|-------------------------|------------|-----|
| 1    | 650/10198 |           | Tray hose,2nd auxiliary |            | 1   |

|    |            |  |                              |    |
|----|------------|--|------------------------------|----|
| 2  | 650/10192  |  | Tray cover,2nd auxiliary     | 1  |
| 3  | 335/07215  |  | Pipe assembly,5 spool        | 1  |
| 4  | 335/08214  |  | Pipe assembly,2nd aux. front | 1  |
| 5  | 295/00487  |  | Pad wear                     | 1  |
| 6  | 612/72015  |  | Hose 3/8bsp                  | 1  |
| 7  | 612/72016  |  | Hose 3/8bsp                  | 1  |
| 8  | 1420/0007D |  | Washer (M8)                  | 15 |
| 9  | 1425/0007D |  | Washer Spring M8             | 2  |
| 10 | 1370/0203D |  | Nut Lock M8                  | 8  |
| 11 | 1315/0308D |  | Setscrew M8 x 30 mm          | 3  |
| 12 | 826/01558  |  | Screw M6 x 15mm long         | 4  |
| 13 | 1315/0307D |  | Setscrew M8 x 25 mm          | 4  |
| 14 | 333/S2965  |  | Pipe Work 2nd Auxiliary      | 1  |
| 15 | 4101/0200  |  | Fluid Locking<br>A/R         | 0  |
| 16 | 295/00591  |  | Pad wear                     | 1  |
| 17 | 816/90611  |  | Cap blanking 3/4-16 UNF      | 2  |
| 19 | 816/90152  |  | Adaptor M/M 3/8BSPx7/8SAE    | 2  |
| 20 | 826/01814  |  | Screw Countersunk M8x35      | 3  |
| 21 | 826/01106  |  | Nut Rivet,M8                 | 5  |
| 22 | 331/41143  |  | Bracket pipe,2nd aux         | 1  |
| 23 | 331/41145  |  | Bracket pipe,2nd aux front   | 1  |
| 24 | 1315/0309D |  | Setscrew M8 x 35 mm          | 4  |
| 25 | 821/00347  |  | Clamp Twin                   | 4  |
| 26 | 821/00169  |  | Plate Cover                  | 4  |
| 27 | 612/80267  |  | Hose                         | 2  |

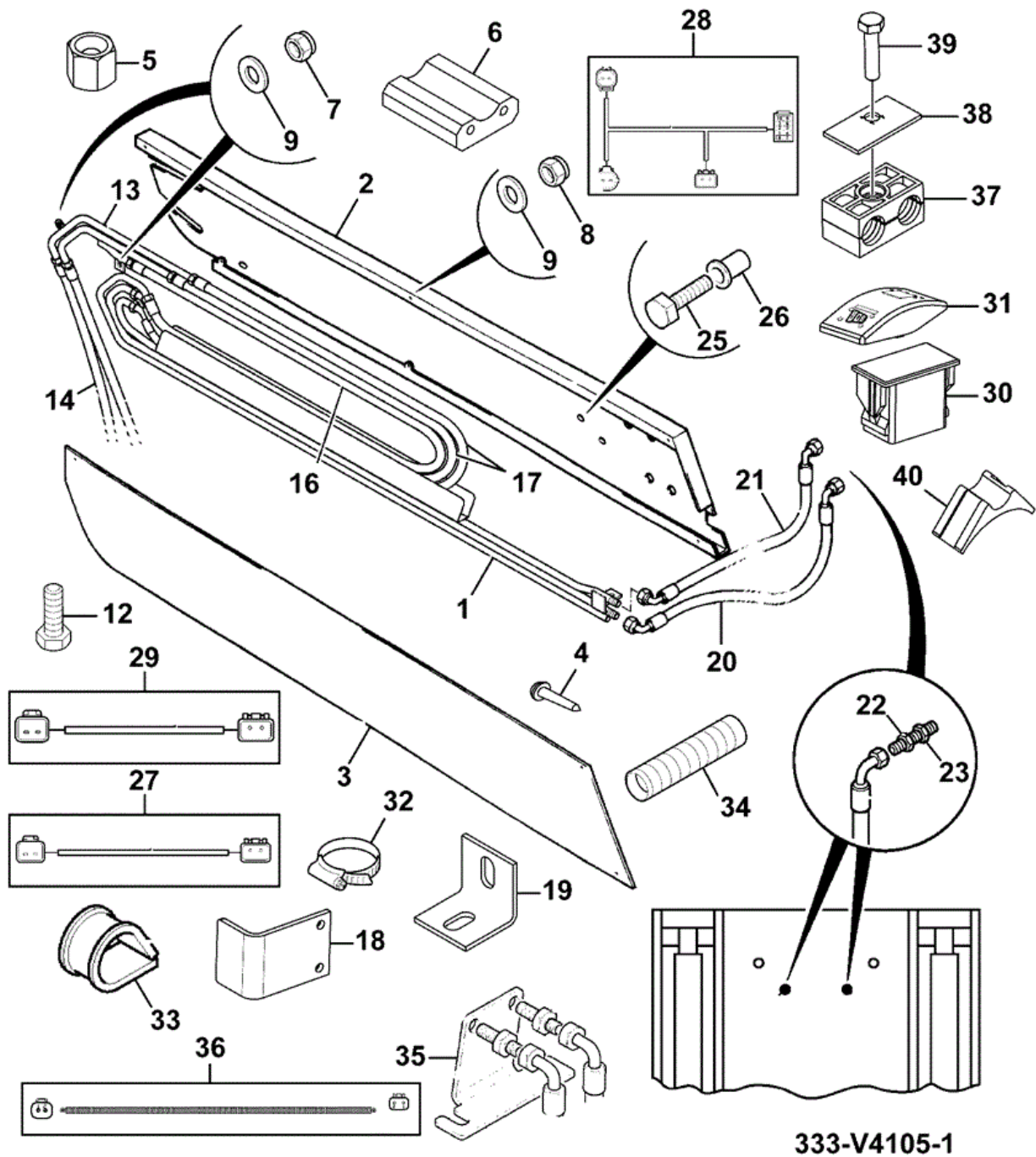
**JCB** 9822/0675 E190-60-1 OTHER HYDRAULIC CIRCUITS HOSE  
 AND PIPEWORK AUXILIARY 2



| Item | Part #    | Change No | Description  | Usage Code | QTY |
|------|-----------|-----------|--|------------|-----|
| 1    | 830/13679 |           | Pipe assembly side auxiliary<br><i>QUICK HITCH</i> |            | 1   |

|    |            |  |  |    |
|----|------------|--|--|----|
| 2  | 650/10269  |  | Tray auxiliary hoses<br><i>QUICK HITCH</i>                 | 1  |
| 3  | 650/10272  |  | Cover auxiliary hose tray                                  | 1  |
| 4  | 1430/0204  |  | Screw<br><i>FOR ITEM 6</i>                                 | 2  |
| 5  | 816/90044  |  | Cap blanking 3/8"BSP Female                                | 2  |
| 6  | 331/59531  |  | Pad wear   | 1  |
| 7  | 1370/0201D |  | Nut Plain M8   | 2  |
| 8  | 1370/0203D |  | Nut Lock M8  | 8  |
| 9  | 1420/0007D |  | Washer (M8)  | 14 |
| 12 | 1315/0307D |  | Setscrew M8 x 25 mm  | 4  |
| 13 | 335/11596  |  | Pipe assembly<br><i>QUICK HITCH</i>                        | 1  |
| 14 | 612/80223  |  | Hose 3/8"  | 2  |
| 16 | 612/80362  |  | Hose<br><i>FOR ITEM 27</i>                                 | 1  |
| 17 | 612/80363  |  | Hose 3/8"BSP x 2205mm<br><i>QUICK HITCH SIDE TRY</i>       | 2  |
| 18 | 295/10078  |  | Guard pipe   | 1  |
| 19 | 331/59479  |  | Bracket  | 1  |
| 20 | 612/80272  |  | Hose 3/8 BSP   | 1  |
| 21 | 612/80273  |  | Hose 3/8 BSP   | 1  |
| 22 | 816/90728  |  | Adapter bulkhead M/M                                       | 2  |
| 23 | 816/90152  |  | Adaptor M/M 3/8BSPx7/8SAE                                  | 2  |
| 25 | 826/01814  |  | Screw Countersunk M8x35                                    | 4  |
| 26 | 826/01106  |  | Nut Rivet, M8  | 4  |
| 27 | 721/12206  |  | Harness side tray pipe<br><i>HARNESS- QUICK HITCH</i>      | 1  |
| 28 | 721/12204  |  | Harness cab<br><i>HARNESS FOR ITEM 31</i>                  | 1  |
| 29 | 721/12205  |  | Harness bulkhead to sidetray<br><i>HARNESS CAB TO BOOM</i> | 1  |
| 30 | 701/E8932  |  | Actuator quickhitch<br><i>Q. HITCH SWITCH FACE</i>         | 1  |
| 31 | 701/60008  |  | Switch 12V<br><i>QUICK HITCH SWITCH</i>                    | 1  |
| 32 | 2201/0017  |  | Clip Worm Drive 110-140mm                                  | 2  |
| 33 | 821/00182  |  | Insert clamp   | 2  |
| 34 | 647/10101  |  | Sleeve Polyurethane 650mm LG                               | 1  |
| 35 | 331/42793  |  | Bracket quick release                                      | 1  |
| 36 | 333/T1184  |  | Harness solenoid   | 1  |
| 37 | 821/00347  |  | Clamp Twin   | 1  |
| 38 | 821/00169  |  | Plate Cover  | 1  |
| 39 | 1315/0309D |  | Setscrew M8 x 35 mm  | 1  |
| 40 | 242/00373  |  | Clamp hose   | 1  |

**JCB** 9822/0675 E190-60-5 OTHER HYDRAULIC CIRCUITS HOSE  
 AND PIPEWORK AUXILIARY 2



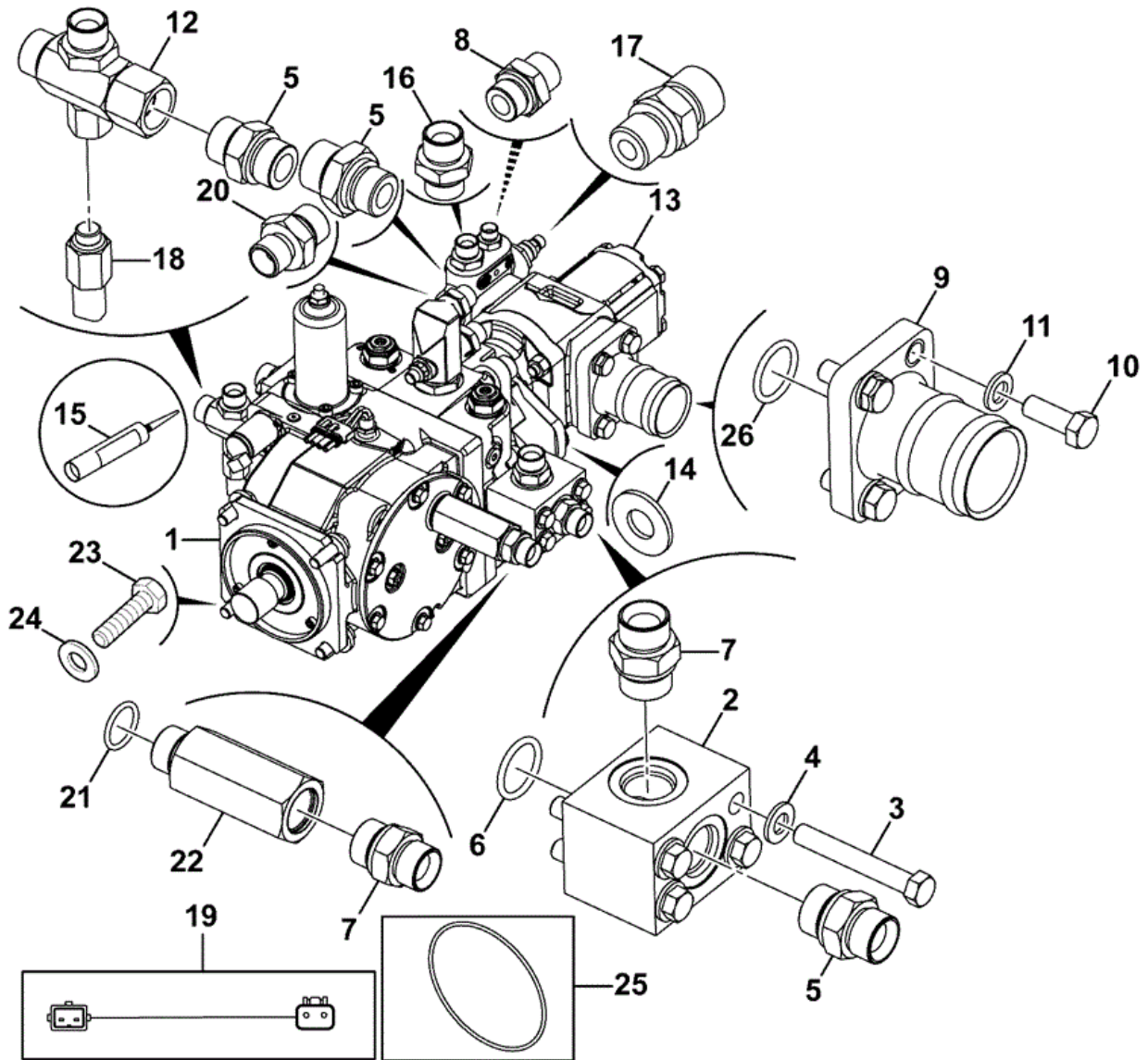
| Item | Part #    | Change No | Description  | Usage Code | QTY |
|------|-----------|-----------|--|------------|-----|
| 1    | 830/13679 |           | Pipe assembly side auxiliary<br><i>QUICK HITCH</i> |            | 1   |

|    |            |  |  |    |
|----|------------|--|--|----|
| 2  | 650/10269  |  | Tray auxiliary hoses<br><i>QUICK HITCH</i>                 | 1  |
| 3  | 650/10272  |  | Cover auxiliary hose tray                                  | 1  |
| 4  | 1430/0204  |  | Screw<br><i>FOR ITEM 6</i>                                 | 2  |
| 5  | 816/90044  |  | Cap blanking 3/8"BSP Female                                | 2  |
| 6  | 331/59531  |  | Pad wear   | 1  |
| 7  | 1370/0201D |  | Nut Plain M8   | 2  |
| 8  | 1370/0203D |  | Nut Lock M8  | 8  |
| 9  | 1420/0007D |  | Washer (M8)  | 14 |
| 12 | 1315/0307D |  | Setscrew M8 x 25 mm  | 4  |
| 13 | 335/11596  |  | Pipe assembly<br><i>QUICK HITCH</i>                        | 1  |
| 14 | 612/80223  |  | Hose 3/8"  | 2  |
| 16 | 612/80362  |  | Hose<br><i>FOR ITEM 27</i>                                 | 1  |
| 17 | 612/80363  |  | Hose 3/8"BSP x 2205mm<br><i>QUICK HITCH SIDE TRY</i>       | 2  |
| 18 | 295/10078  |  | Guard pipe   | 1  |
| 19 | 331/59479  |  | Bracket  | 1  |
| 20 | 612/80272  |  | Hose 3/8 BSP   | 1  |
| 21 | 612/80273  |  | Hose 3/8 BSP   | 1  |
| 22 | 816/90728  |  | Adapter bulkhead M/M                                       | 2  |
| 23 | 816/90152  |  | Adaptor M/M 3/8BSPx7/8SAE                                  | 2  |
| 25 | 826/01814  |  | Screw Countersunk M8x35                                    | 4  |
| 26 | 826/01106  |  | Nut Rivet, M8  | 4  |
| 27 | 721/12206  |  | Harness side tray pipe<br><i>HARNESS- QUICK HITCH</i>      | 1  |
| 28 | 721/12204  |  | Harness cab<br><i>HARNESS FOR ITEM 31</i>                  | 1  |
| 29 | 721/12205  |  | Harness bulkhead to sidetray<br><i>HARNESS CAB TO BOOM</i> | 1  |
| 30 | 701/E8932  |  | Actuator quickhitch<br><i>Q. HITCH SWITCH FACE</i>         | 1  |
| 31 | 701/E0209  |  | Switch Panel, 12V, 2 Position<br><i>QUICK HITCH SWITCH</i> | 1  |
| 32 | 2201/0017  |  | Clip Worm Drive 110-140mm                                  | 2  |
| 33 | 821/00182  |  | Insert clamp   | 2  |
| 34 | 647/10101  |  | Sleeve Polyurethane 650mm LG                               | 1  |
| 35 | 331/42793  |  | Bracket quick release                                      | 1  |
| 36 | 333/T1184  |  | Harness solenoid   | 1  |
| 37 | 821/00347  |  | Clamp Twin   | 1  |
| 38 | 821/00169  |  | Plate Cover  | 1  |
| 39 | 1315/0309D |  | Setscrew M8 x 35 mm  | 1  |
| 40 | 242/00373  |  | Clamp hose   | 1  |





# 9822/0675 E210-1-1 PUMPS GEAR ASSEMBLY TLT 35T 2WD



333-R6340-1

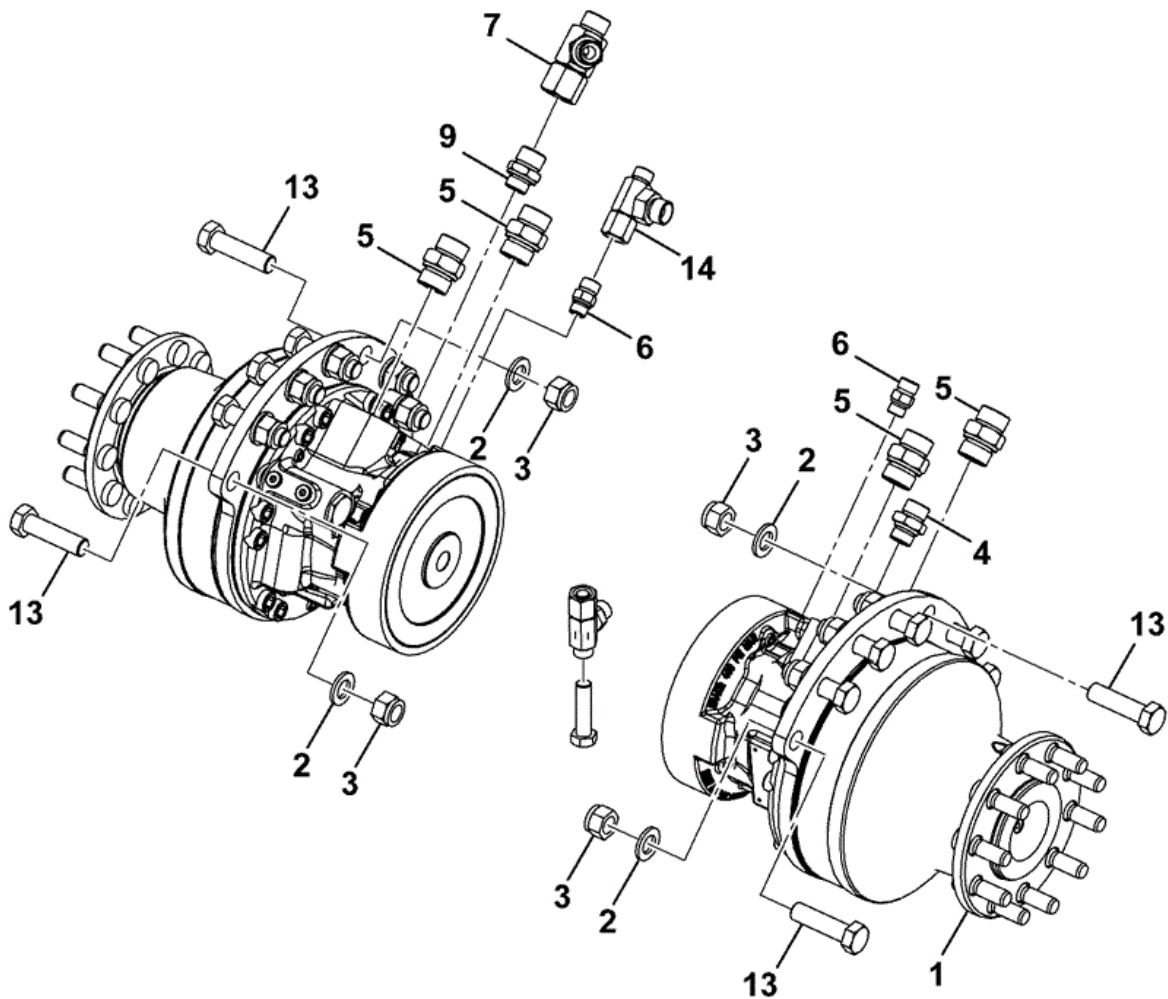
| Item | Part #     | Change No | Description                | Usage Code | QTY |
|------|------------|-----------|----------------------------|------------|-----|
| 1    | 20/925641  |           | Pump Variable Displacement |            | 1   |
| 2    | 933/20014  |           | Adapter Block              |            | 2   |
| 3    | 1305/1822D |           | Setscrew                   |            | 8   |

|    |            |  |   |   |
|----|------------|--|---|---|
| 4  | 1410/0004D |  | Washer 7/16IN SMALL                               | 8 |
| 5  | 1620/2054  |  | Adaptor 1/2BSP x 3/4 SAE                          | 1 |
| 6  | 828/00417  |  | O Ring 1"SAE                                      | 2 |
| 7  | 1620/2059  |  | Adaptor 3/4BSP/1-1/16SAE M/M                      | 6 |
| 8  | 1620/2056  |  | Adaptor   | 3 |
| 9  | 903/20774  |  | Flange Suction port                               | 1 |
| 10 | 1305/1909Z |  | Setscrew  | 4 |
| 11 | 823/00309  |  | Washer hardened (13mm x 23mm x 2.7mm)             | 4 |
| 12 | 816/90258  |  | Adapter 4 way                                     | 1 |
| 13 | 333/U4194  |  | Pump gear,Tandem                                  | 1 |
| 14 | 1411/0005D |  | Washer  | 2 |
| 15 | 4102/1900  |  | Sealant   | 1 |
| 16 | 1620/2053  |  | Adaptor 3/8BSPx3/4SAE                             | 1 |
| 17 | 1620/2050  |  | Adaptor 1/4BSP x 7/16SAE                          | 1 |
| 18 | 701/80363  |  | Switch Oil Temp 9/16"UNF Deutsch Connector        | 1 |
| 19 | 721/10763  |  | Harness 2-way link 40mm long Deutsch-AMP/Jnrtimer | 1 |
| 20 | 1620/2051  |  | Adaptor 1/4"BSP x 9/16"SAE                        | 1 |
| 21 | 2401/0508  |  | O Ring  | 1 |
| 22 | 25/223118  |  | Valve Check                                       | 1 |
| 23 | 1315/0509D |  | Screw M12x35mm                                    | 4 |
| 24 | 823/00557  |  | Washer  | 4 |
| 25 | 813/00453  |  | O Ring Seal                                       | 1 |
| 26 | 2401/0218  |  | O Ring  | 1 |



## 9822/0675 E275-5-1 MOTOR HYDRAULIC DRIVE

### ASSEMBLIES WHEEL MOTOR & FITTING

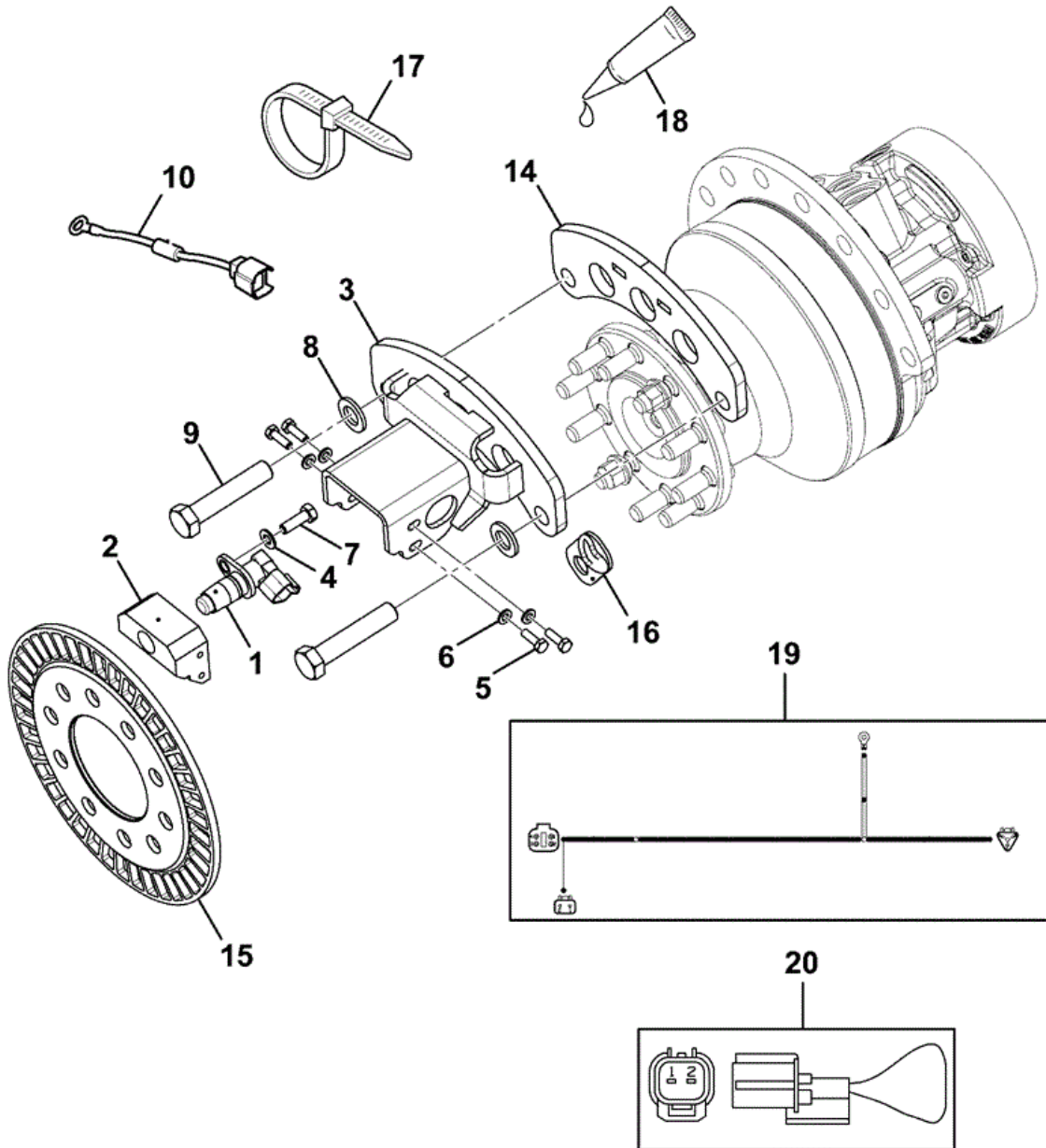


295-30052-8

| Item | Part #    | Change No | Description         | Usage Code | QTY |
|------|-----------|-----------|---------------------|------------|-----|
| 1    | 333/W7542 |           | Motor Wheel-Poclair |            | 2   |

|    |            |                              |    |
|----|------------|------------------------------|----|
| 1A | :333/D2771 | Seal Kit Complete Motor      | 1  |
| 1B | :333/H8052 | Cover end plate              | 1  |
| 2  | 1420/0011Z | Washer (M16)                 | 20 |
| 3  | 1370/0603Z | Nut lock M16                 | 20 |
| 4  | 1620/2054  | Adaptor 1/2BSP x 3/4 SAE     | 1  |
| 5  | 1620/2059  | Adaptor 3/4BSP/1-1/16SAE M/M | 4  |
| 6  | 1620/2052  | Adaptor 3/8BSP X 9/16        | 2  |
| 7  | 816/90082  | Adapter tee, F/M/M           | 1  |
| 9  | 816/90007  | Adaptor M/M 5/8" x 3/4"      | 1  |
| 13 | 1315/3714Z | Bolt M16 x 60                | 20 |
| 14 | 816/90263  | Adapter Tee                  | 1  |

**JCB** 9822/0675 E280-1-1 MOTOR HYDRAULIC DRIVE DETAILS  
 SPEED REDUCTION ASSEMBLY



**332-U7364-2**

| Item | Part #    | Change No | Description   | Usage Code | QTY |
|------|-----------|-----------|---|------------|-----|
| 1    | 716/30123 |           | Sensor Engine/Transmission Speed.<br><i>USE WITH ITEM 2</i> |            | 1   |

|    |            |  |  |    |
|----|------------|--|--|----|
| 2  | 332/R5607  |  | Housing speed reduction sensor<br><i>USE WITH ITEM 3</i> | 1  |
| 3  | 333/P5994  |  | Bracket Speed Reduction<br><i>BOLT TO CHASSIS WITH</i>   | 1  |
| 4  | 1420/0007Z |  | Washer (M8)<br><i>USE WITH ITEM 7</i>                    | 1  |
| 5  | 1315/0205Z |  | Setscrew M6 x 20mm<br><i>USE WITH ITEMS 2 &amp; 3</i>    | 4  |
| 6  | 1420/0006Z |  | Washer (M6)<br><i>USE WITH ITEM 5</i>                    | 4  |
| 7  | 1315/0307Z |  | Setscrew M8 X 25<br><i>USE ON ITEMS 1 &amp; 2</i>        | 1  |
| 8  | 1420/0011Z |  | Washer (M16)<br><i>USE ON ITEM 9</i>                     | 2  |
| 9  | 1315/3718D |  | Bolt M16 x 80mm<br><i>USE WITH ITEM 3</i>                | 2  |
| 10 | 716/30368  |  | Link resistor 100K-Ohm<br><i>USE ON ITEM 1</i>           | 1  |
| 14 | 332/R6948  |  | Spacer plate<br><i>A/R</i>                               | 1  |
| 15 | 332/R5768  |  | Disc speed sensor target<br><i>FIT TO WHEEL MOTOR</i>    | 1  |
| 16 | 332/R6149  |  | Clip harness tie<br><i>TO TETHER ITEM 11 TO</i>          | 1  |
| 17 | 121/77603  |  | Tie Cable 300mm<br><i>USE WITH ITEMS 11 AN</i>           | 10 |
| 18 | 4101/0500  |  | Fluid Locking Loctite 262<br><i>A/R</i>                  | 1  |
| 19 | 332/U4971  |  | Harness Speed Reduction TLT                              | 1  |
| 20 | 716/10700  |  | Plug single diode 2 way<br><i>PLUG INTO WIPER DIOD</i>   | 1  |



**Download the full PDF manual instantly.**

**Our customer service e-mail:**

**[aservicemanualpdf@yahoo.com](mailto:aservicemanualpdf@yahoo.com)**