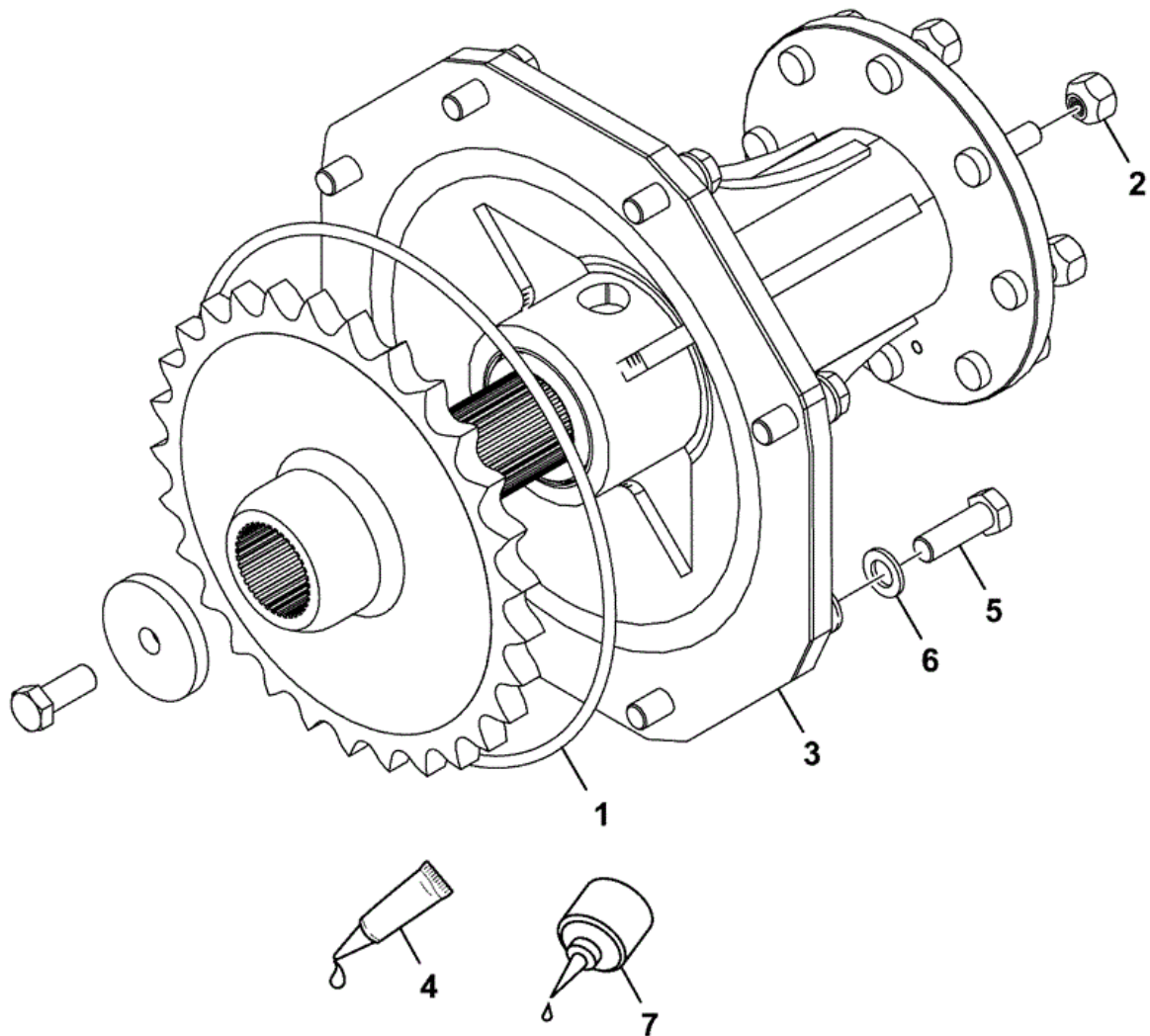




# 9822/0075 F140-1-1 HUB ASSEMBLY INSTALLATION

## FRONT



**332-W2640-3**

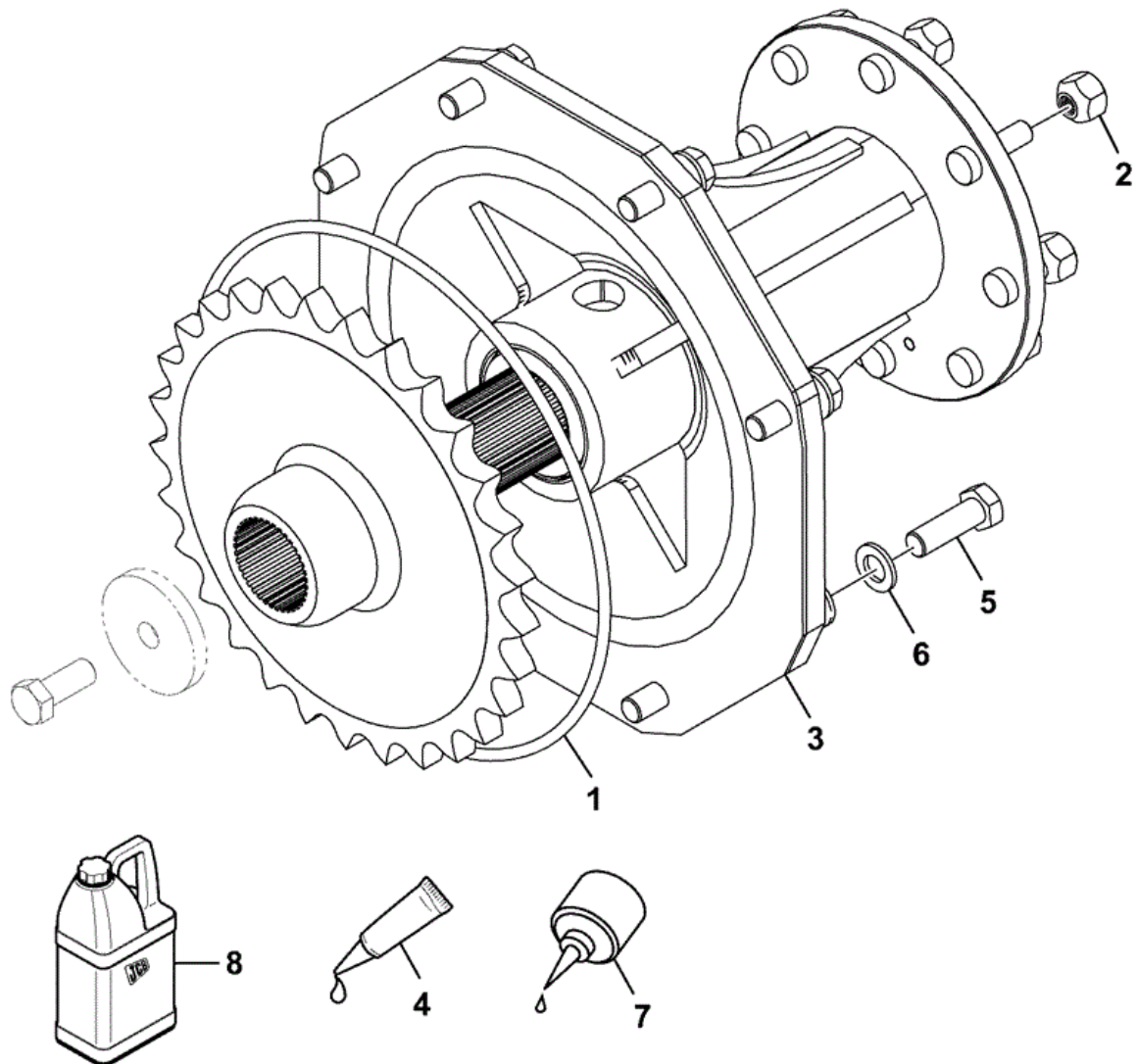
Item	Part #	Change No	Description	Usage Code	QTY
1	2403/0439		Seal O Ring		1

2	242/00102		Nut wheel	8
3	****		Hub Front-LP Assembly	1
4	4003/0707		Fluid Jelly Petroleum 11KG	0
5	1315/0712Z		Bolt M16 x 50mm	8
6	823/00603		Washer hardened M16	8
7	4101/1100		Loctite 243	0



# 9822/0075 F140-1-5 HUB ASSEMBLY INSTALLATION

## FRONT



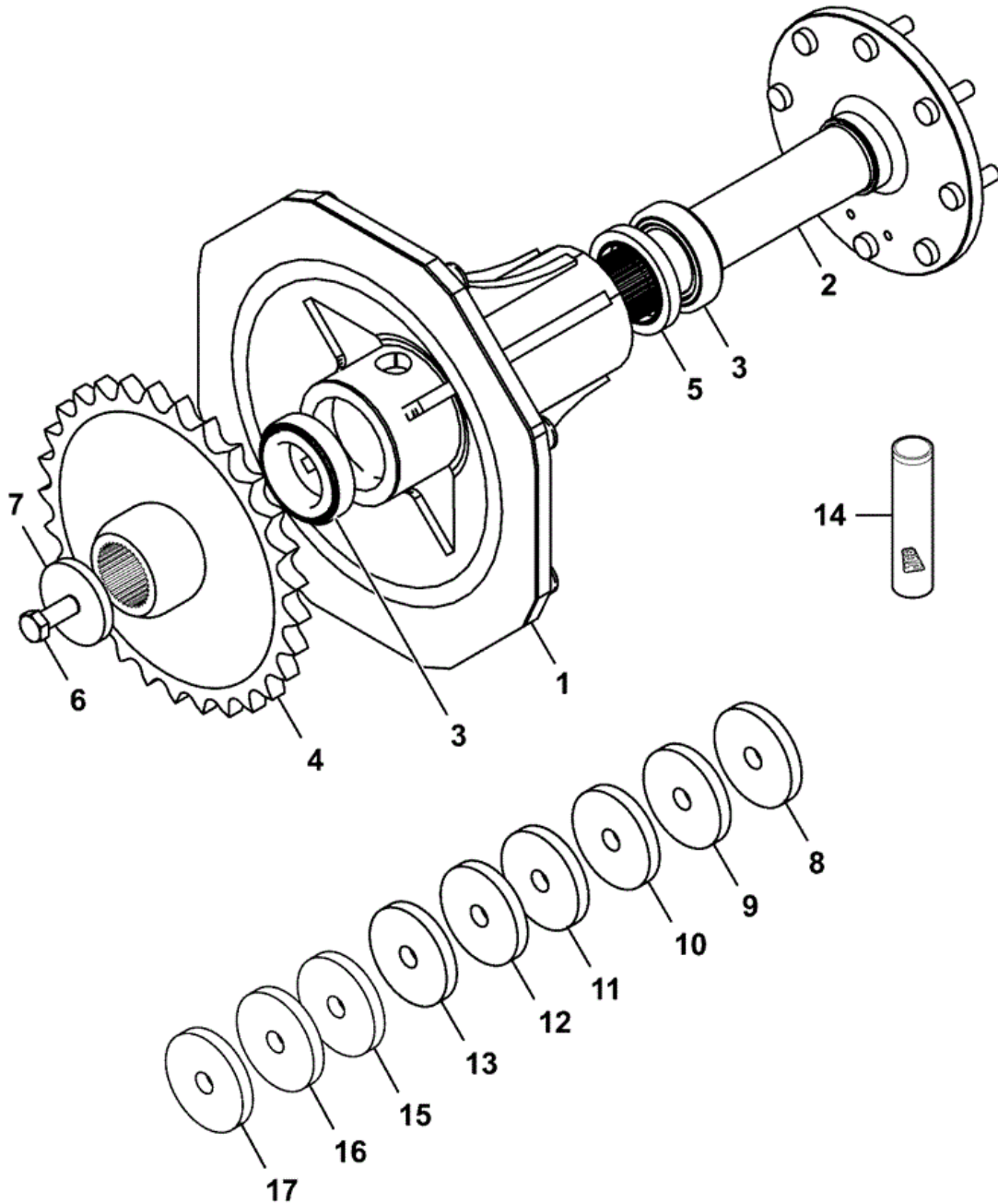
332-W2640-7

Item	Part #	Change No	Description	Usage Code	QTY
1	2403/0439		Seal O Ring		1

2	242/00102		Nut wheel	8
3	****		Hub Assembly, Front	1
4	4003/0707		Fluid Jelly Petroleum 11KG <i>AS REQUIRED</i>	0
5	1315/0712Z		Bolt M16 x 50mm	8
6	823/00603		Washer hardened M16	8
7	4101/1100		Loctite 243 <i>AS REQUIRED</i>	0
8	4004/0502		Sealant Waxoyl 5 ltr can <i>AS REQUIRED</i>	0



## 9822/0075 F140-5-1 HUB ASSEMBLY FRONT



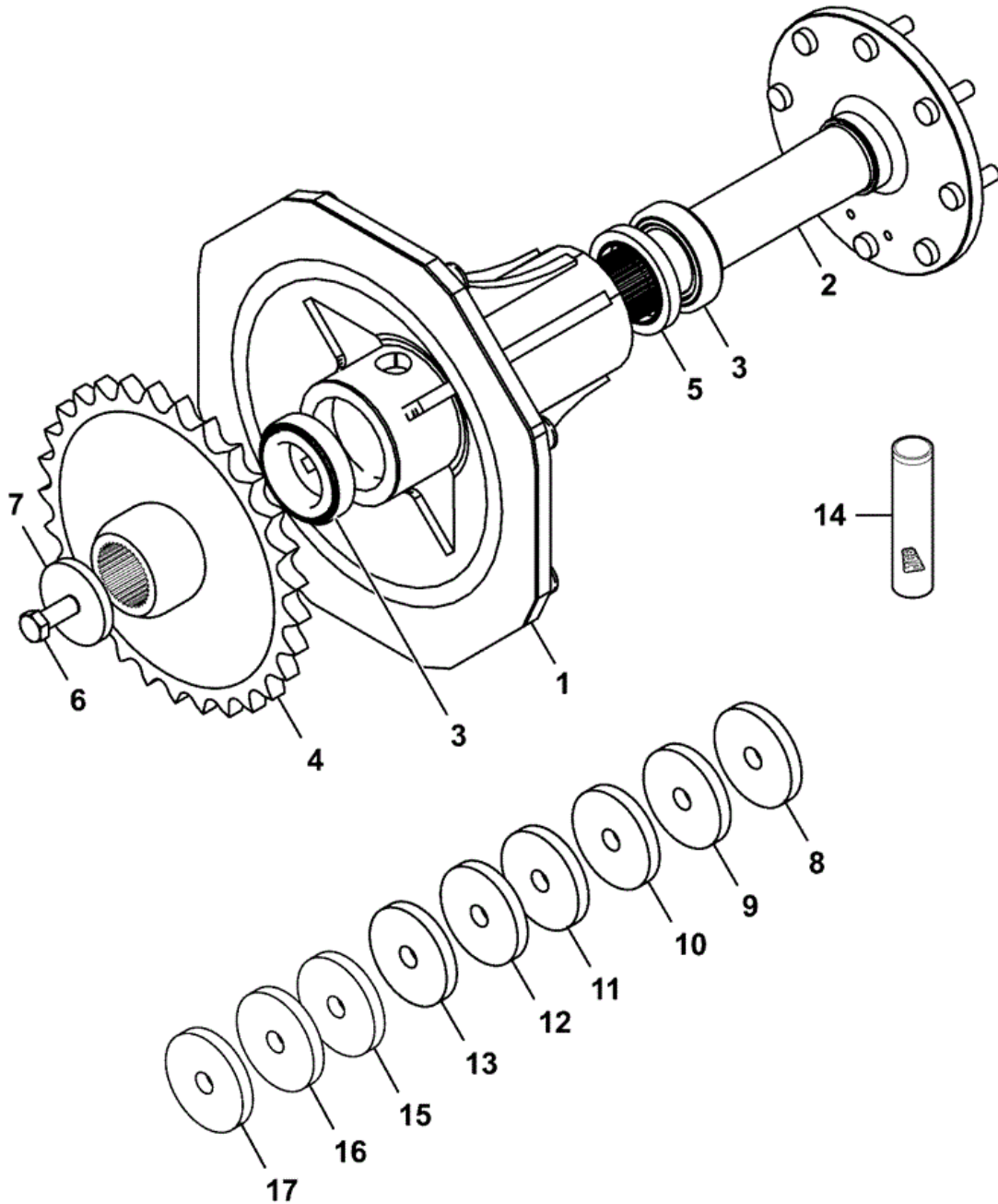
332-W2611-7

Item	Part #	Change No	Description	Usage Code	QTY
1	332/L1495		Hub JCB Yellow		1
2	****		Driveshaft Assembly		1
3	907/20020		Bearing Taper roller		2

4	331/19968		Sprocket driven	1
5	904/20183		Seal cassette 95 OD X 70 ID	1
6	1321/0710D		Setscrew M16X40	1
7	333/L7201		Washer preload NO.1	1
8	333/L7202		Washer preload NO.2	1
9	333/L7203		Washer preload NO.3	1
10	333/L7204		Washer preload NO.4	1
11	333/L7207		Washer preload NO.7	1
12	333/L7208		Washer preload NO.8	1
13	333/L7209		Washer preload NO.9	1
14	4003/2017		Grease High Pressure 400g x 24	0
15	333/L7205		Washer preload NO.5	1
16	333/L7206		Washer preload NO.6	1
17	333/L7210		Washer preload NO.10	1



## 9822/0075 F140-10-1 HUB ASSEMBLY FRONT



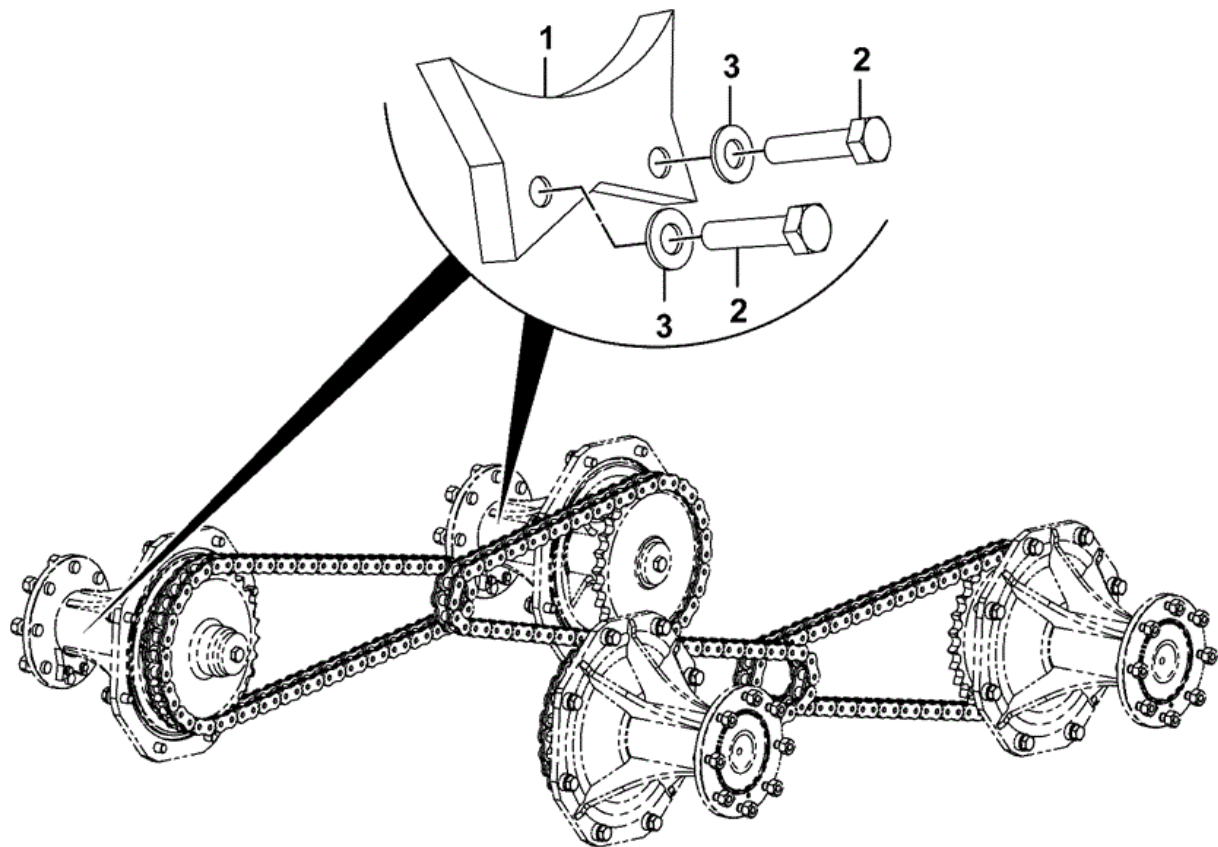
332-W2611-7

Item	Part #	Change No	Description	Usage Code	QTY
1	332/X8253		Hub Black		1
2	****		Driveshaft Assembly		1
3	907/20020		Bearing Taper roller		2

4	331/19968		Sprocket driven	1
5	904/20183		Seal cassette 95 OD X 70 ID	1
6	1321/0710D		Setscrew M16X40	1
7	333/L7201		Washer preload NO.1	1
8	333/L7202		Washer preload NO.2	1
9	333/L7203		Washer preload NO.3	1
10	333/L7204		Washer preload NO.4	1
11	333/L7207		Washer preload NO.7	1
12	333/L7208		Washer preload NO.8	1
13	333/L7209		Washer preload NO.9	1
14	4003/2017		Grease High Pressure 400g x 24	0
15	333/L7205		Washer preload NO.5	1
16	333/L7206		Washer preload NO.6	1
17	333/L7210		Washer preload NO.10	1



**JCB** 9822/0075 F190-1-1 OTHER FRONT AXLE ITEMS PLATE  
TWINE CUTTER



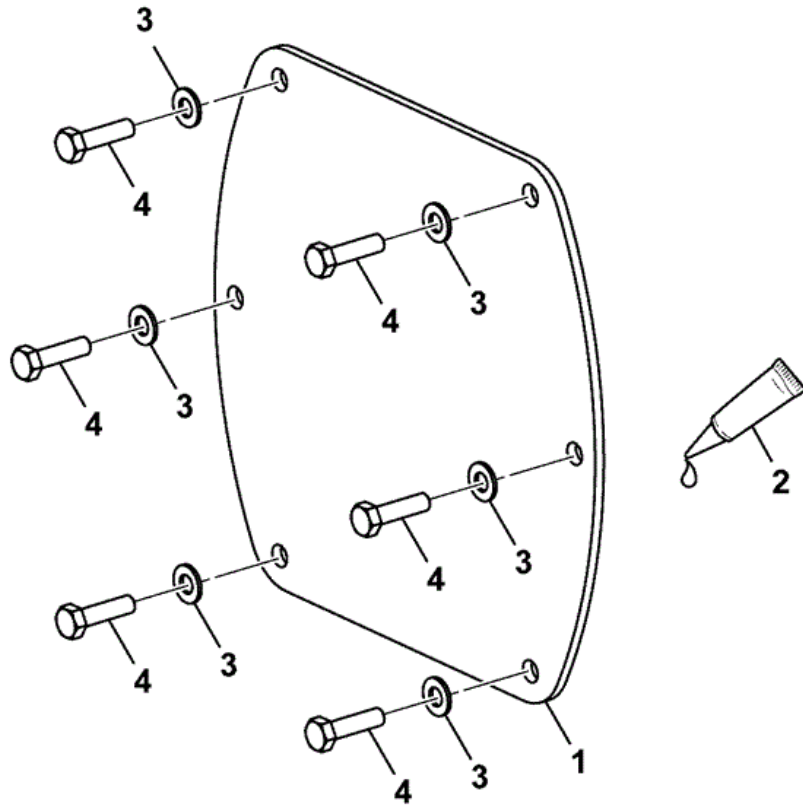
**332-W0133-3**

Item	Part #	Change No	Description	Usage Code	QTY
1	331/19969		Plate twinecutter		4

2	1315/0309Z		Setscrew M8 x 35	8
3	1420/0007Z		Washer (M8)	8



9822/0075 F190-2-1 PLATE ASSEMBLY WHEELED,DRIVE-  
JCB YELLOW



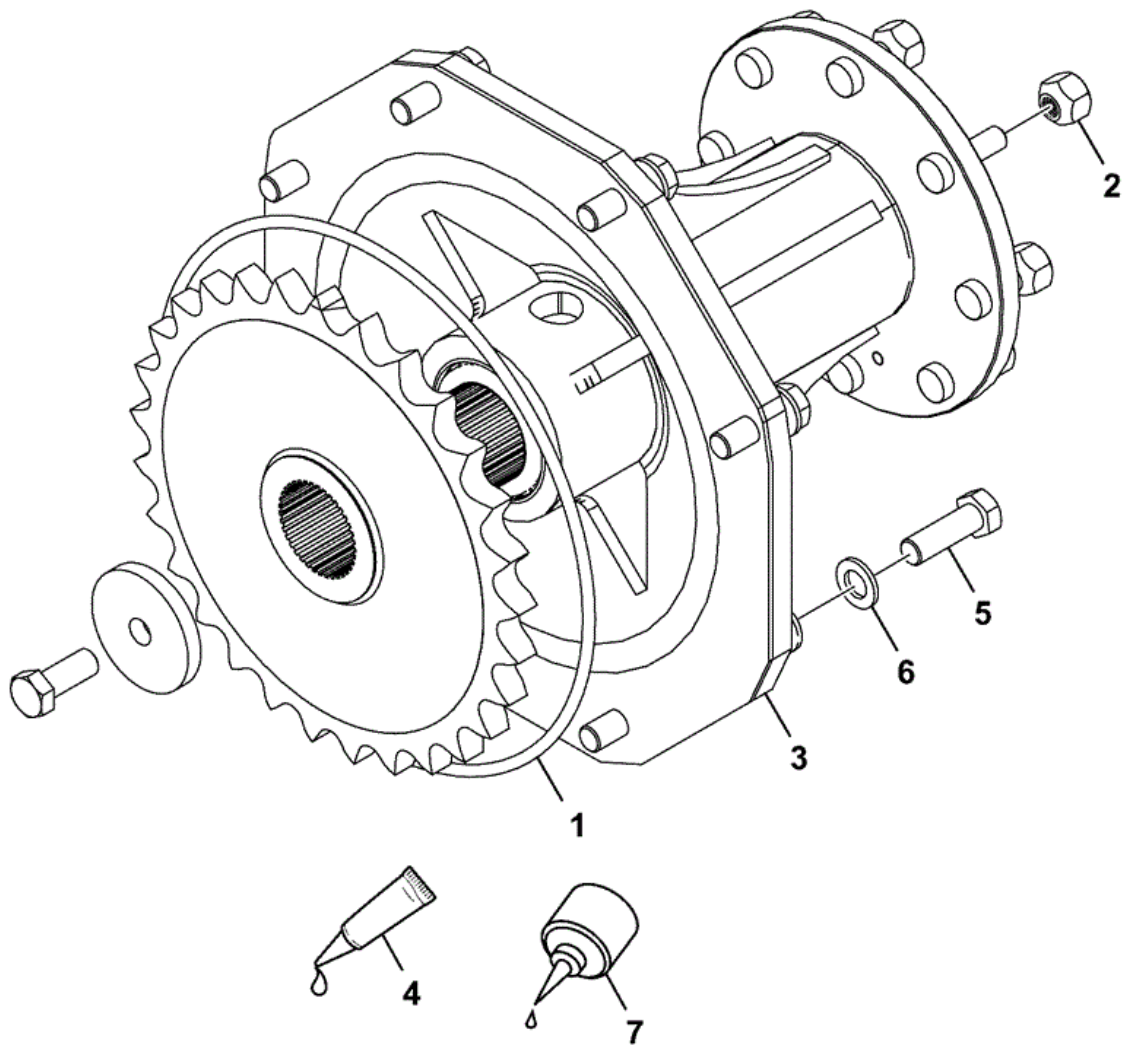
332-X3808-2

Item	Part #	Change No	Description	Usage Code	QTY
1	332/X3799		Plate Right side Wheeled,drive		1

2	4102/3400	Sealant Adhesive	0
3	1420/0007Z	Washer (M8)	6
4	1318/0305Z	Setscrew M8 x 20 Nylonpatch G8	6



## 9822/0075 F240-1-1 HUB ASSEMBLY INSTALLATION REAR



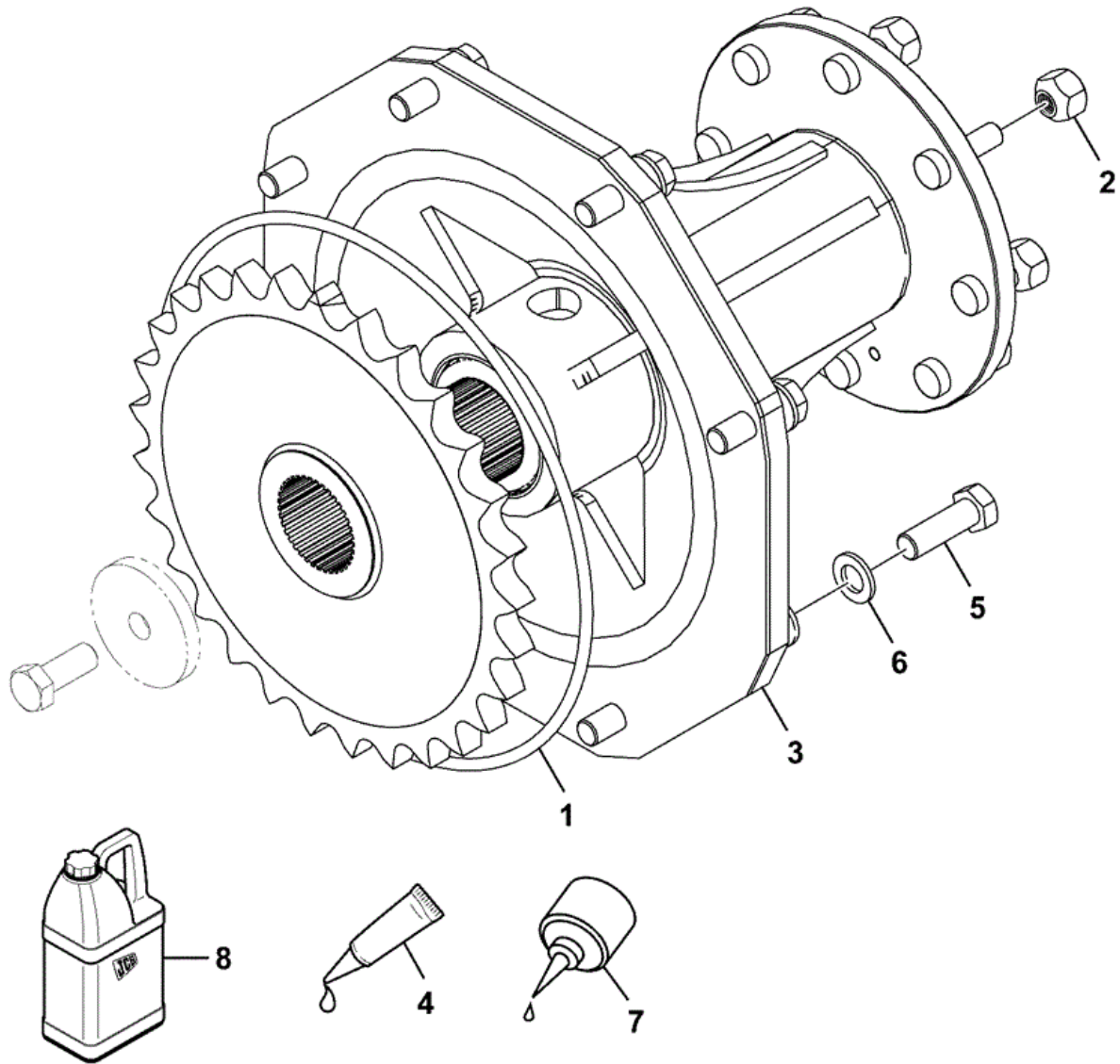
332-W2665-3

Item	Part #	Change No	Description	Usage Code	QTY
1	2403/0439		Seal O Ring		1
2	242/00102		Nut wheel		8
3	****		Hub Assembly Rear		1

4	4003/0707		Fluid Jelly Petroleum 11KG		0
5	1315/0712Z		Bolt M16 x 50mm		8
6	823/00603		Washer hardened M16		8
7	4101/1100		Loctite 243		0



# 9822/0075 F240-1-5 HUB ASSEMBLY INSTALLATION REAR



332-W2665-7

Item	Part #	Change No	Description	Usage Code	QTY
1	2403/0439		Seal O Ring		1
2	242/00102		Nut wheel		8
3	****		Hub Assembly, Rear		1



**Download the full PDF manual instantly.**

**Our customer service e-mail:**

**[aservicemanualpdf@yahoo.com](mailto:aservicemanualpdf@yahoo.com)**