

Section	Description	Link Book
	SAA6D140E-6A S/N 730001-UP	0000657C
B0	ENGINE RELATED PARTS	
C0	COOLING SYSTEM	
D0	FUEL SYSTEM	
E0	ELECTRICAL SYSTEM	
F0	POWER TRANSMITTING SYSTEM	
H0	HYDRAULIC SYSTEM	
J0	FRAME AND ITS RELATED PARTS	
K0	OPERATOR'S COMPARTMENT AND CONTROL SYSTEM	
M0	GUARDS AND COVERS	
S0	SUSPENSION, WHEEL AND THEIR RELATED PARTS	
T0	BODY	
U0	MARKS AND PLATES	
V0	AUXILIARY PARTS AND TOOL	
W0	OTHER EQUIPMENT	
Y0	FIELD REPAIR SERVICE PARTS	

HM400-3 S/N 3001-UP
ENGINE RELATED PARTS

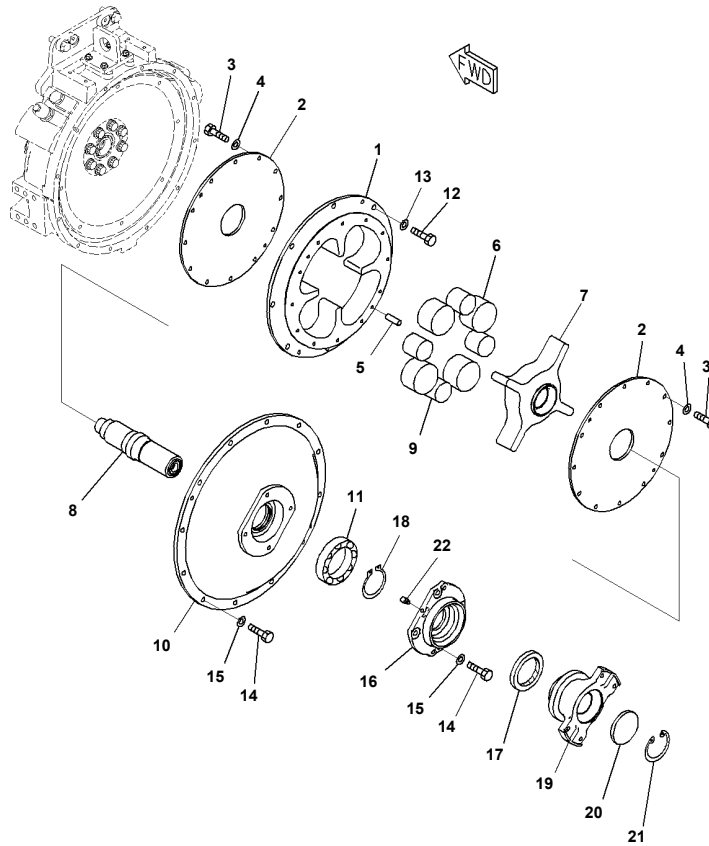
Unit Name	Unit No.
Engine Related Parts, 60Amp. Alternator	X25-1935100
Engine Related Parts, 90Amp. Alternator, EU Safety Regulation	X25-1935120
Engine Mounting	X25-1935130
Exhaust Piping, Body Heating	X25-1413231
Exhaust Piping, With Muffler	X25-1963550

HM400-3 S/N 3001-UP
Engine Related Parts, 60Amp. Alternator

FIG. Name	FIG. No.
Engine Related Parts, 60Amp. Alternator, Damper	B0000-001001
Engine Related Parts, 60Amp. Alternator, Hose	B0000-001002
Engine Related Parts, 60Amp. Alternator, Air Intake Piping	B0000-001003

HM400-3 S/N 3001-UP
JM003919

フライホイールハウジング
Flywheel Housing



Reference: B0000-001001

Page: B001001

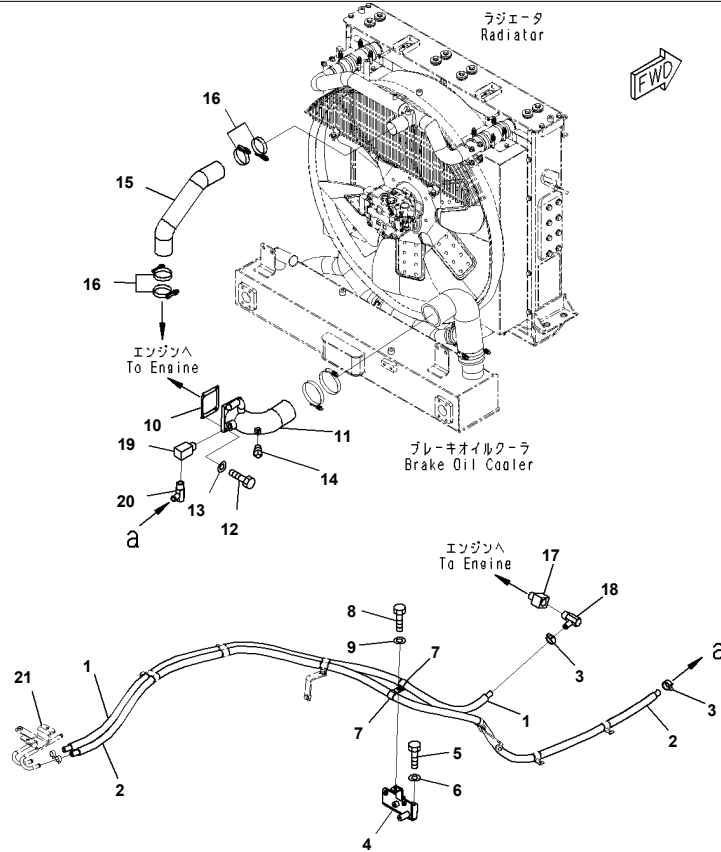
HM400-3 S/N 3001-UP
Engine Related Parts, 60Amp. Alternator, Damper (#3001-)

Index	Code	Part Number	Description	Qty	Serial No.
		566-01-85200	Shaft Assembly	1	3001-
1		566-01-82140	• Body	1	3001-
2		566-01-22161	• Flange	2	3001-
3		01010-61030	• Bolt	24	3001-
4		01643-31032	• Washer	24	3001-
5		04020-00820	• Pin, Dowel	4	3001-
6		566-01-82180	• Rubber	4	3001-
7		566-01-85250	• Body	1	3001-
8		566-01-85210	• Shaft	1	3001-
9		566-01-82190	• Rubber	4	3001-
10		566-01-72110	• Cover	1	3001-
11		06040-06213	• Bearing	1	3001-
12		01010-61230	• Bolt	8	3001-
13		01643-31232	• Washer	8	3001-
14		01010-61235	• Bolt	16	3001-
15		01643-31232	• Washer	16	3001-
16		56B-01-12120	• Cover	1	3001-
17		566-01-22912	• Seal	1	3001-
18		04064-06525	• Ring, Snap, for Shaft Side	1	3001-
		566-01-85280	• Coupling Assembly	1	3001-
19		566-01-85270	• • Coupling	1	3001-
20		569-01-62790	• • Cap	1	3001-
21		04065-09530	• • Ring, Snap	1	3001-
22		07030-01030	• Breather	1	3001-

Reference: B0000-001001

Page: B001001

HM400-3 S/N 3001-UP
JM003921



JM003921-P

Reference: B0000-001002

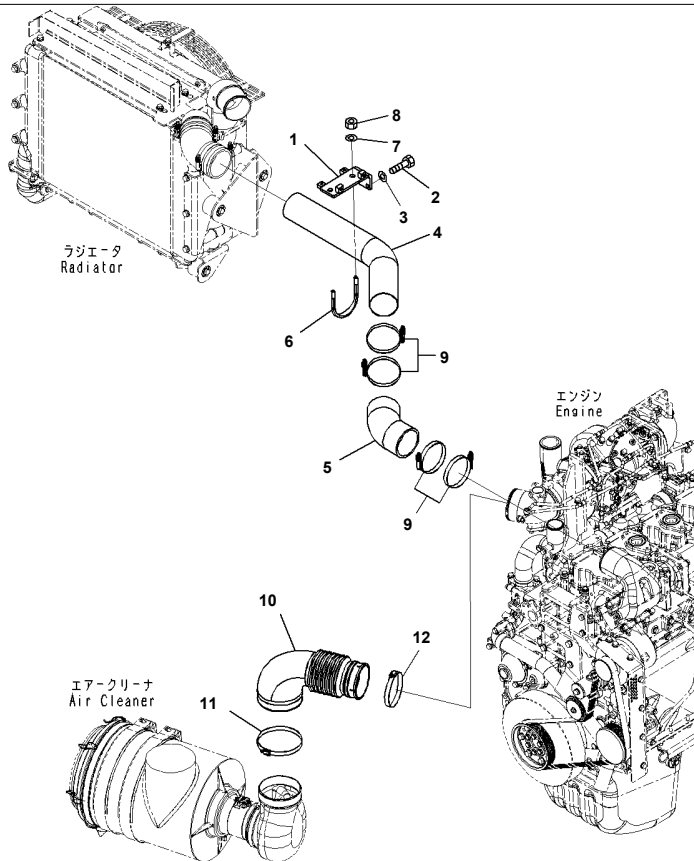
Page: B001002

HM400-3 S/N 3001-UP
Engine Related Parts, 60Amp. Alternator, Hose (#3001-)

Index	Code	Part Number	Description	Qty	Serial No.
1		56B-07-32151	Hose	1	3001-
2		56B-07-32160	Hose	1	3001-
3		11Y-09-11160	Clip	2	3001-
4		56B-61-31740	Bracket	1	3001-
5		01010-81035	Bolt	2	3001-
6		01643-31032	Washer	2	3001-
7		6150-51-9490	Clip	2	3001-
8		01010-81025	Bolt	1	3001-
9		01643-31032	Washer	1	3001-
10		6212-61-6821	Gasket	1	3001-
11		56B-03-21580	Connector	1	3001-
12		01010-81035	Bolt	4	3001-
13		01643-31032	Washer	4	3001-
14		07042-70108	Plug	1	3001-
15		56B-03-31611	Hose	1	3002-
16		07299-00070	Clamp	4	3002-
17		569-07-63340	Joint	1	3001-
18		202-98-11340	Joint	1	3001-
19		561-07-45120	Elbow	1	3001-
20		202-98-11340	Joint	1	3001-
21		(56B-07-32330)	Tube		
		(56B-07-32330)	Tube		

Reference: B0000-001002

Page: B001002



JM003922-P

Reference:B0000-001003

Page:B001003

HM400-3 S/N 3001-UP
Engine Related Parts, 60Amp. Alternator, Air Intake Piping (#3001-)

Index	Code	Part Number	Description	Qty	Serial No.
1		56B-02-32411	Bracket	1	3001-
2		01010-81030	Bolt	2	3001-
3		01643-31032	Washer	2	3001-
4		56B-02-32131	Tube	1	3001-
5		56B-02-32150	Hose	1	3001-
6		07283-31079	Clip, Pipe	1	3001-
7		01643-31232	Washer	2	3001-
8		01597-01211	Nut	2	3001-
9		07299-00120	Clamp	4	3001-
10		56B-02-32140	Hose	1	3001-
11		07289-00160	Clamp, Hose	1	3001-
12		07289-00130	Clamp, Hose	1	3001-

Reference:B0000-001003

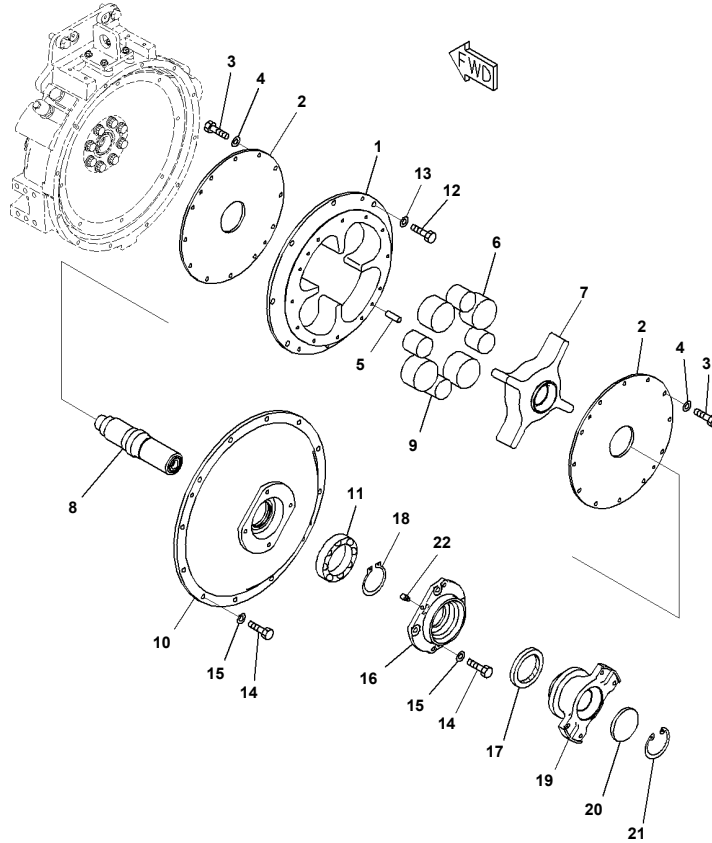
Page:B001003

HM400-3 S/N 3001-UP
Engine Related Parts, 90Amp. Alternator, EU Safety Regulation

FIG. Name	FIG. No.
Engine Related Parts, 90Amp. Alternator, EU Safety Regulation, Damper	B0000-002001
Engine Related Parts, 90Amp. Alternator, EU Safety Regulation, Hose	B0000-002002
Engine Related Parts, 90Amp. Alternator, EU Safety Regulation, Air Intake Piping	B0000-002003

HM400-3 S/N 3001-UP
JM003919

フライホイールハウジング
Flywheel Housing



JM003919

Reference: B0000-002001

Page: B002001

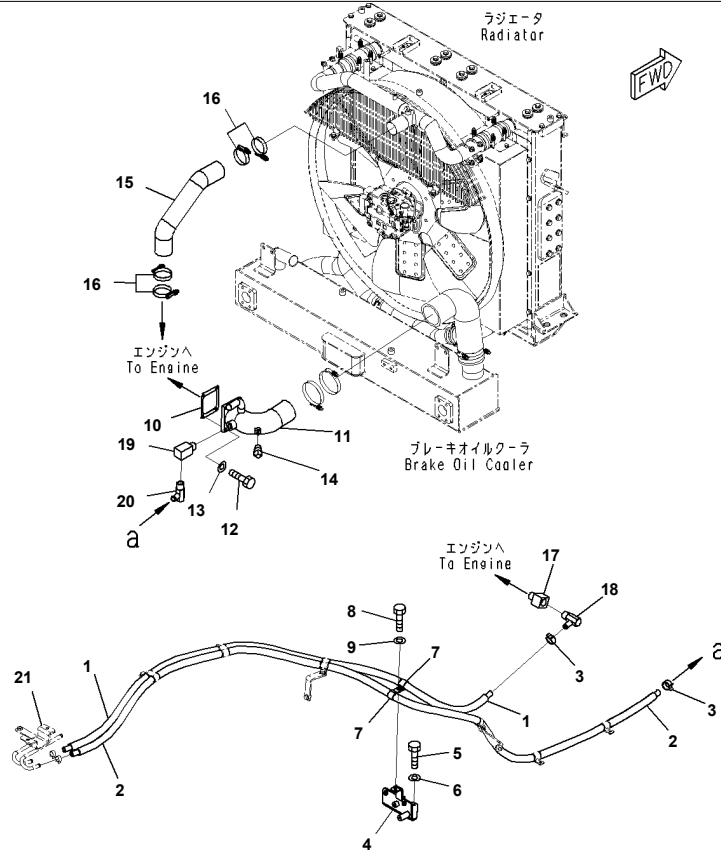
HM400-3 S/N 3001-UP
Engine Related Parts, 90Amp. Alternator, EU Safety Regulation, Damper (#3001-)

Index	Code	Part Number	Description	Qty	Serial No.
		566-01-85200	Shaft Assembly	1	3001-
1		566-01-82140	• Body	1	3001-
2		566-01-22161	• Flange	2	3001-
3		01010-61030	• Bolt	24	3001-
4		01643-31032	• Washer	24	3001-
5		04020-00820	• Pin, Dowel	4	3001-
6		566-01-82180	• Rubber	4	3001-
7		566-01-85250	• Body	1	3001-
8		566-01-85210	• Shaft	1	3001-
9		566-01-82190	• Rubber	4	3001-
10		566-01-72110	• Cover	1	3001-
11		06040-06213	• Bearing	1	3001-
12		01010-61230	• Bolt	8	3001-
13		01643-31232	• Washer	8	3001-
14		01010-61235	• Bolt	16	3001-
15		01643-31232	• Washer	16	3001-
16		56B-01-12120	• Cover	1	3001-
17		566-01-22912	• Seal	1	3001-
18		04064-06525	• Ring, Snap, for Shaft Side	1	3001-
		566-01-85280	• Coupling Assembly	1	3001-
19		566-01-85270	• • Coupling	1	3001-
20		569-01-62790	• • Cap	1	3001-
21		04065-09530	• • Ring, Snap	1	3001-
22		07030-01030	• Breather	1	3001-

Reference: B0000-002001

Page: B002001

HM400-3 S/N 3001-UP
JM003921



JM003921-P

Reference: B0000-002002

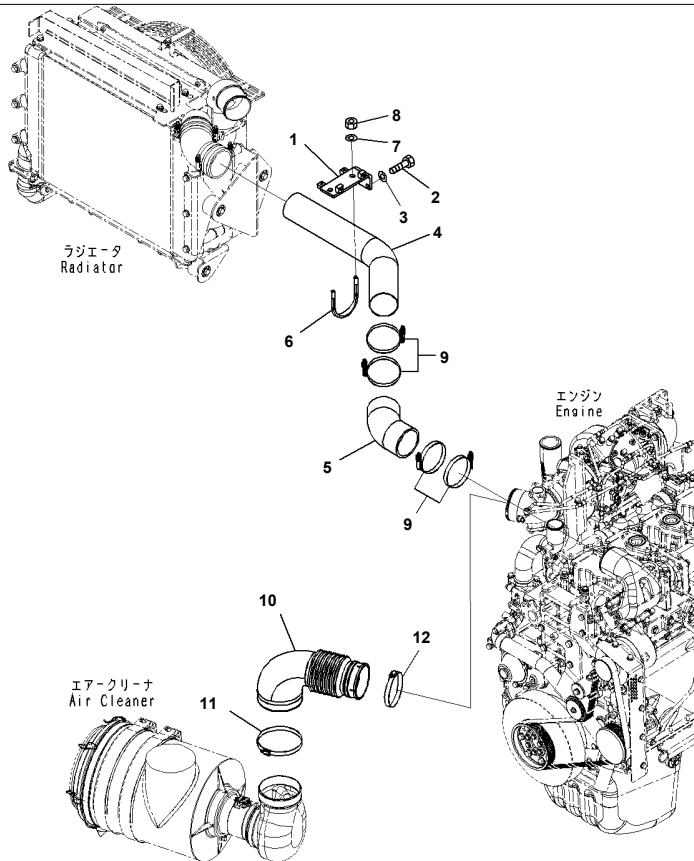
Page: B002002

HM400-3 S/N 3001-UP
Engine Related Parts, 90Amp. Alternator, EU Safety Regulation, Hose (#3001-)

Index	Code	Part Number	Description	Qty	Serial No.
1		56B-07-32151	Hose	1	3001-
2		56B-07-32160	Hose	1	3001-
3		11Y-09-11160	Clip	2	3001-
4		56B-61-31740	Bracket	1	3001-
5		01010-81035	Bolt	2	3001-
6		01643-31032	Washer	2	3001-
7		6150-51-9490	Clip	2	3001-
8		01010-81025	Bolt	1	3001-
9		01643-31032	Washer	1	3001-
10		6212-61-6821	Gasket	1	3001-
11		56B-03-21580	Connector	1	3001-
12		01010-81035	Bolt	4	3001-
13		01643-31032	Washer	4	3001-
14		07042-70108	Plug	1	3001-
15		56B-03-31611	Hose	1	3002-
16		07299-00070	Clamp	4	3002-
17		569-07-63340	Joint	1	3001-
18		202-98-11340	Joint	1	3001-
19		561-07-45120	Elbow	1	3001-
20		202-98-11340	Joint	1	3001-
21		(56B-07-32330)	Tube		
		(56B-07-32330)	Tube		

Reference: B0000-002002

Page: B002002



JM003922-P

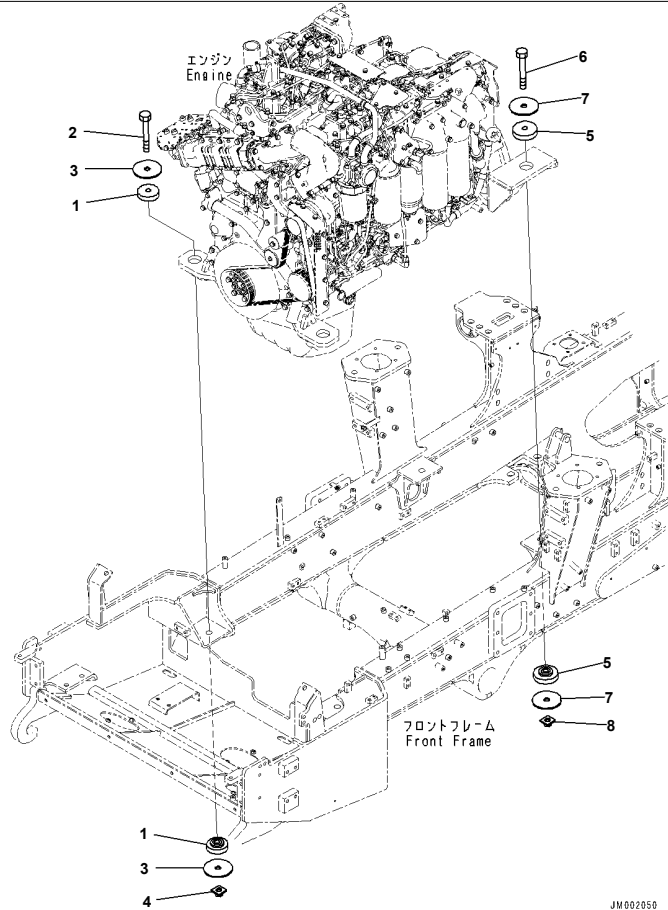
HM400-3 S/N 3001-UP
Engine Related Parts, 90Amp. Alternator, EU Safety Regulation, Air Intake Piping (#3001-)

Index	Code	Part Number	Description	Qty	Serial No.
1		56B-02-32411	Bracket	1	3001-
2		01010-81030	Bolt	2	3001-
3		01643-31032	Washer	2	3001-
4		56B-02-32131	Tube	1	3001-
5		56B-02-32150	Hose	1	3001-
6		07283-31079	Clip, Pipe	1	3001-
7		01643-31232	Washer	2	3001-
8		01597-01211	Nut	2	3001-
9		07299-00120	Clamp	4	3001-
10		56B-02-32140	Hose	1	3001-
11		07289-00160	Clamp, Hose	1	3001-
12		07289-00130	Clamp, Hose	1	3001-

HM400-3 S/N 3001-UP
Engine Mounting

FIG. Name	FIG. No.
Engine Mounting	B0100-001001

HM400-3 S/N 3001-UP
JM002050



JM002050

Reference: B0100-001001

Page: B003001

HM400-3 S/N 3001-UP
Engine Mounting (#3001-)

Index	Code	Part Number	Description	Qty	Serial No.
1		425-01-11350	Cushion	4	3001-
2		01011-62225	Bolt	2	3001-
3		424-01-11220	Washer	4	3001-
4		425-01-11250	Plate	2	3001-
5		425-01-11370	Cushion	4	3001-
6		01011-62225	Bolt	2	3001-
7		424-01-11220	Washer	4	3001-
8		425-01-11250	Plate	2	3001-

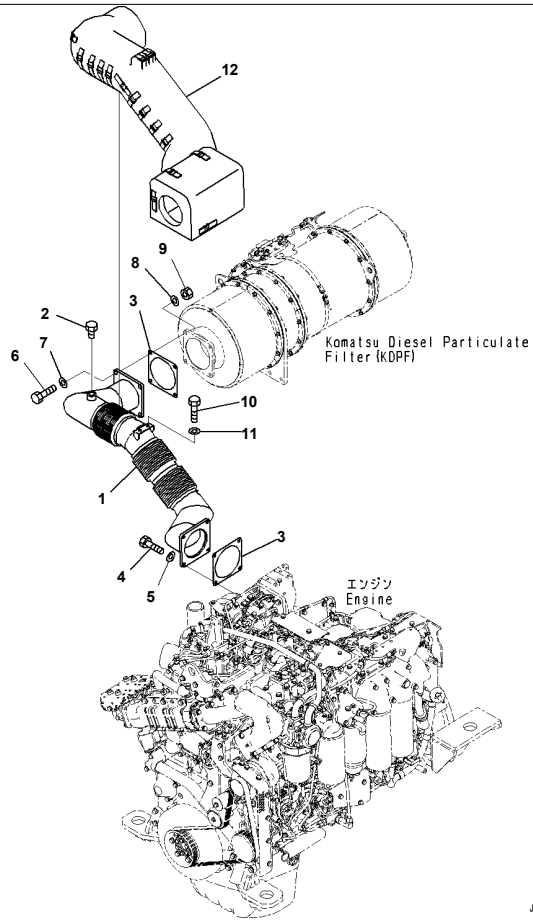
Reference: B0100-001001

Page: B003001

HM400-3 S/N 3001-UP
Exhaust Piping, Body Heating

FIG. Name	FIG. No.
Exhaust Piping, Body Heating, (#3001-3000)	B0130-001001
Exhaust Piping, Body Heating, (#3001-)	B0130-001001A

HM400-3 S/N 3001-UP
JM002051



JM002051

Reference: B0130-001001

Page: B004001

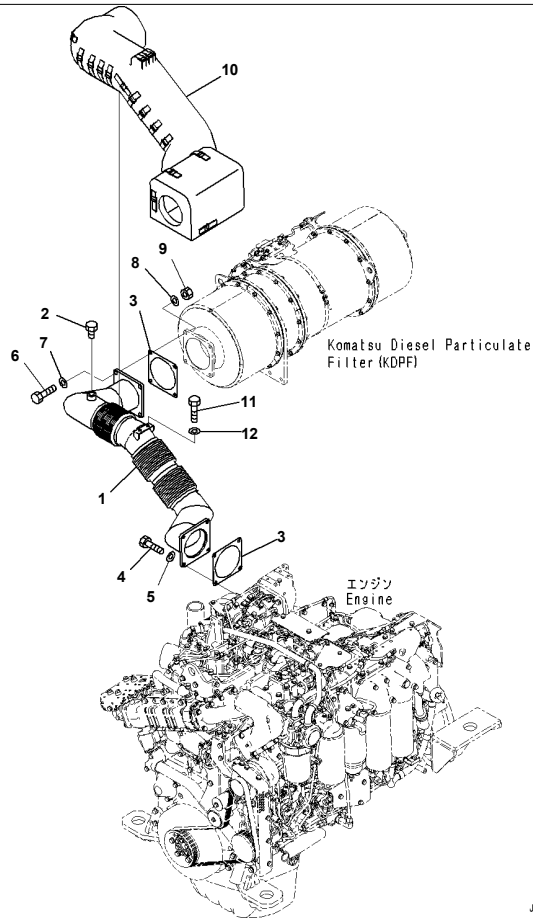
HM400-3 S/N 3001-UP
Exhaust Piping, Body Heating, (#3001-3000)

Index	Code	Part Number	Description	Qty	Serial No.
1		56B-02-31141	Tube	1	3001-@
2		6252-11-5910	Plug	1	3001-@
3		6262-11-5490	Gasket	2	3001-@
4		01010-E1235	Bolt	4	3001-@
5		01643-31232	Washer	4	3001-@
6		01020-11045	Bolt, Stainless	4	3001-@
7		203-54-56970	Washer	4	3001-@
8		01643-31032	Washer	4	3001-@
9		01581-01008	Nut	4	3001-@
10		01010-81025	Bolt	2	3001-3001
11		01643-31032	Washer	2	3001-3001
12		56B-02-31421	Cover	1	3001-@

Reference: B0130-001001

Page: B004001

HM400-3 S/N 3001-UP
JM003346



JM003346

Reference: B0130-001001A

Page: B004002

HM400-3 S/N 3001-UP
Exhaust Piping, Body Heating, (#3001-)

Index	Code	Part Number	Description	Qty	Serial No.
1		56B-02-31141	Tube	1	3001-
2		6252-11-5910	Plug	1	3001-
3		6262-11-5490	Gasket	2	3001-
4		01010-E1235	Bolt	4	3001-
5		01643-31232	Washer	4	3001-
6		01020-11045	Bolt, Stainless	4	3001-
7		203-54-56970	Washer	4	3001-
8		01643-31032	Washer	4	3001-
9		01581-01008	Nut	4	3001-
10		56B-02-31421	Cover	1	3001-
11		01010-81025	Bolt	2	3002-
12		203-54-56970	Washer	2	3002-

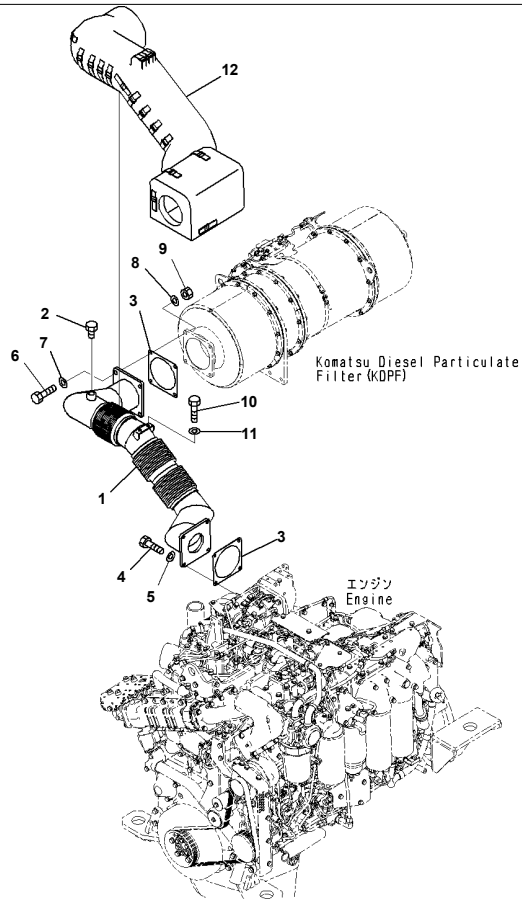
Reference: B0130-001001A

Page: B004002

HM400-3 S/N 3001-UP
Exhaust Piping, With Muffler

FIG. Name	FIG. No.
Exhaust Piping, With Muffler, (#3001-3000)	B0130-002001
Exhaust Piping, With Muffler, (#3001-)	B0130-002001A

HM400-3 S/N 3001-UP
JM003925



JM003925

Reference: B0130-002001

Page: B005001

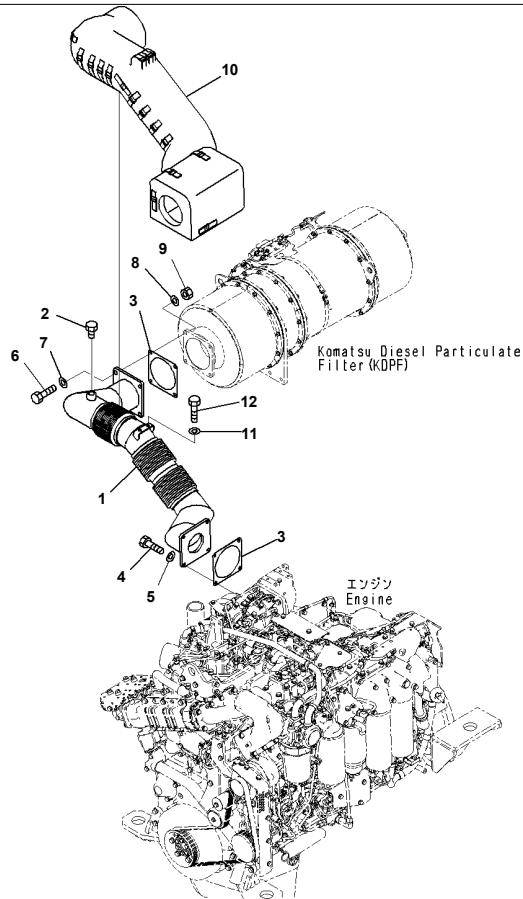
HM400-3 S/N 3001-UP
Exhaust Piping, With Muffler, (#3001-3000)

Index	Code	Part Number	Description	Qty	Serial No.
1		56B-02-31160	Tube	1	3001-@
2		6252-11-5910	Plug	1	3001-@
3		6262-11-5490	Gasket	2	3001-@
4		01010-E1235	Bolt	4	3001-@
5		01643-31232	Washer	4	3001-@
6		01020-11045	Bolt, Stainless	4	3001-@
7		203-54-56970	Washer	4	3001-@
8		01643-31032	Washer	4	3001-@
9		01581-01008	Nut	4	3001-@
10		01010-81025	Bolt	2	3001-3001
11		01643-31032	Washer	2	3001-3001
12		56B-02-31421	Cover	1	3001-@

Reference: B0130-002001

Page: B005001

HM400-3 S/N 3001-UP
JM003926



JM003926

Reference: B0130-002001A

Page: B005002

HM400-3 S/N 3001-UP
Exhaust Piping, With Muffler, (#3001-)

Index	Code	Part Number	Description	Qty	Serial No.
1		56B-02-31160	Tube	1	3001-
2		6252-11-5910	Plug	1	3001-
3		6262-11-5490	Gasket	2	3001-
4		01010-E1235	Bolt	4	3001-
5		01643-31232	Washer	4	3001-
6		01020-11045	Bolt, Stainless	4	3001-
7		203-54-56970	Washer	4	3001-
8		01643-31032	Washer	4	3001-
9		01581-01008	Nut	4	3001-
10		56B-02-31421	Cover	1	3001-
11		203-54-56970	Washer	2	3002-
12		01010-81025	Bolt	2	3002-

Reference: B0130-002001A

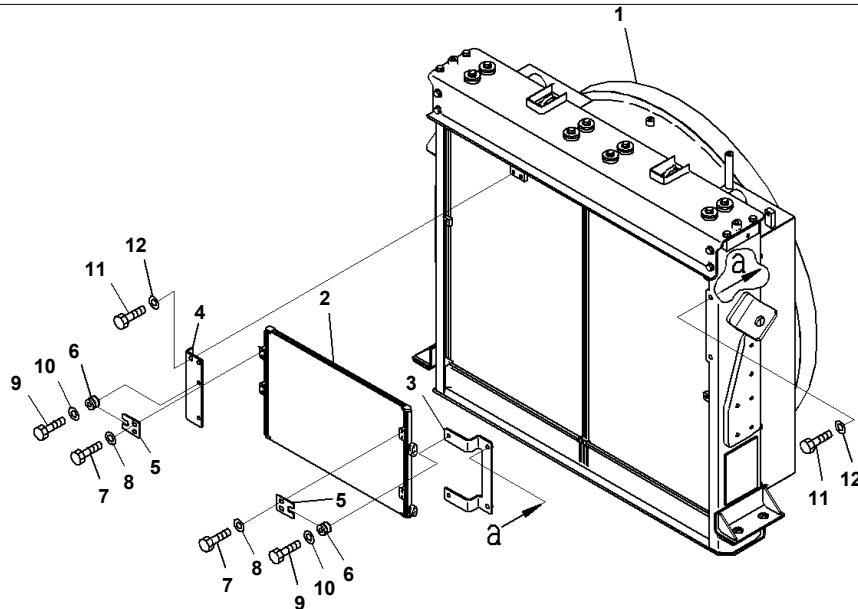
Page: B005002

HM400-3 S/N 3001-UP
COOLING SYSTEM

Unit Name	Unit No.
Radiator	X25-1490671
Aftercooler	X25-1490691
Radiator Related Miscellaneous Parts	X25-1413271
Brake Oil Cooler	X25-1413281

HM400-3 S/N 3001-UP
Radiator

FIG. Name	FIG. No.
Radiator	C0110-001001
Radiator, Fan	C0110-001002
Radiator, Fan Motor (1/4)	C0110-001003
Radiator, Fan Motor (2/4)	C0110-001004
Radiator, Fan Motor (3/4)	C0110-001005
Radiator, Fan Motor (4/4)	C0110-001006
Radiator, Fan Motor Mounting	C0110-001007
Radiator, Fan Motor Piping	C0110-001008
Radiator, Cover	C0110-001009
Radiator, Fan Net (#3001-3000)	C0110-001010
Radiator, Fan Net (#3001-)	C0110-001010A
Radiator, Sheet (#3001-3008)	C0110-001011
Radiator, Sheet (#3009-)	C0110-001011A
Radiator, Freon Piping	C0110-001012
Radiator, Hose	C0110-001013



JM002052

Reference:C0110-001001

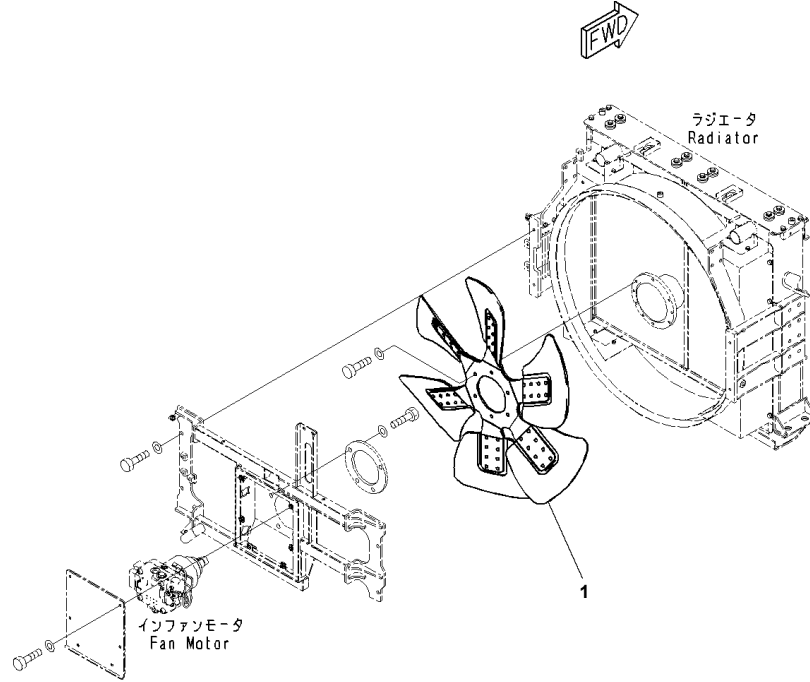
Page:C001001

HM400-3 S/N 3001-UP
Radiator (#3001-)

Index	Code	Part Number	Description	Qty	Serial No.
		56B-03-31101	Radiator Assembly	1	3001-
1		56B-03-31201	· Radiator Assembly	1	3001-
2		56D-07-31250	· Condenser	1	3001-
3		56B-07-31260	· Bracket	1	3001-
4		56B-07-31270	· Bracket	1	3001-
5		56D-03-31280	· Plate	4	3001-
6		20Y-810-1240	· Cushion	4	3001-
7		01010-80616	· Bolt	8	3001-
8		01643-30623	· Washer	8	3001-
9		01010-80835	· Bolt	4	3001-
10		01643-30823	· Washer	4	3001-
11		01010-81025	· Bolt	4	3001-
12		01643-31032	· Washer	4	3001-

Reference:C0110-001001

Page:C001001



JM002053

Reference:C0110-001002

Page:C001002

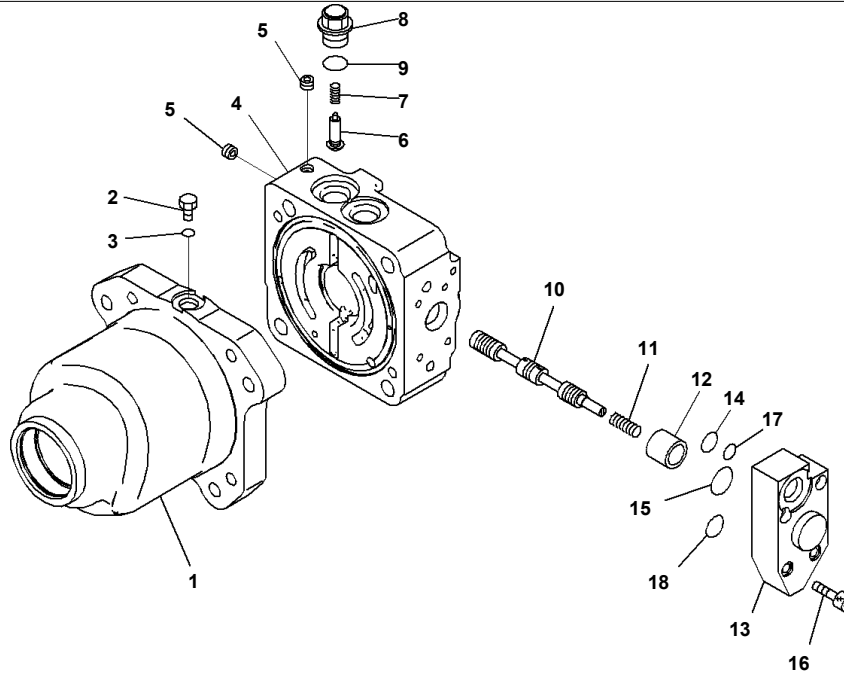
HM400-3 S/N 3001-UP
Radiator, Fan (#3001-)

Index	Code	Part Number	Description	Qty	Serial No.
1		600-645-7020	Fan	1	3001-

Reference:C0110-001002

Page:C001002

HM400-3 S/N 3001-UP
JM004063



JM004063

Reference:C0110-001003

Page:C001003

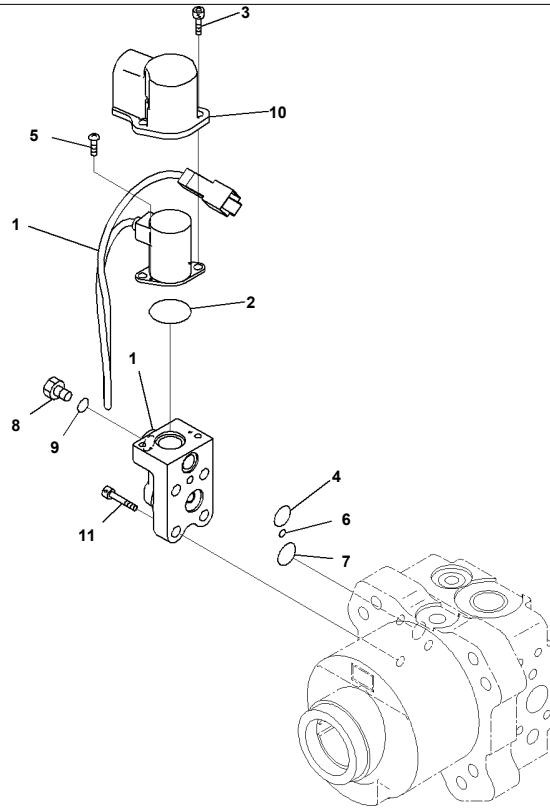
HM400-3 S/N 3001-UP
Radiator, Fan Motor (1/4) (#3001-)

Index	Code	Part Number	Description	Qty	Serial No.
		708-7W-00230	Motor Assembly	1	3001-
1	C2	(708-7W-11240)	• Case	1	3001-
2		708-8K-16280	• Plug	1	3001-
3		07002-21623	• O-ring	1	3001-
	C2	(708-7W-01050)	• Cover Subassembly	1	3001-
4	C1		• • Cover	1	3001-
5	C1		• • Plug	3	3001-
6	C2	(709-25-11650)	• Valve, Check	1	3001-
7		709-25-11361	• Spring	1	3001-
8		708-7S-21610	• Plug	1	3001-
9		07002-22434	• O-ring	1	3001-
10	C1		• Spool	1	3001-
11	C2	(708-7W-18150)	• Spring	1	3001-
12	C2	(708-7W-18160)	• Spacer	1	3001-
13	C2	(708-7W-18240)	• Cover	1	3001-
14	C2	(07000-F2018)	• O-ring	1	3001-
15	C2	(07000-F2035)	• O-ring	1	3001-
16	C2	(01252-60840)	• Bolt, Hexagon Socket Head	4	3001-
17	C2	(07000-F2010)	• O-ring	1	3001-
18	C2	(07000-F2016)	• O-ring	1	3001-

Reference:C0110-001003

Page:C001003

HM400-3 S/N 3001-UP
JM004064



JM004064

Reference:C0110-001004

Page:C001004

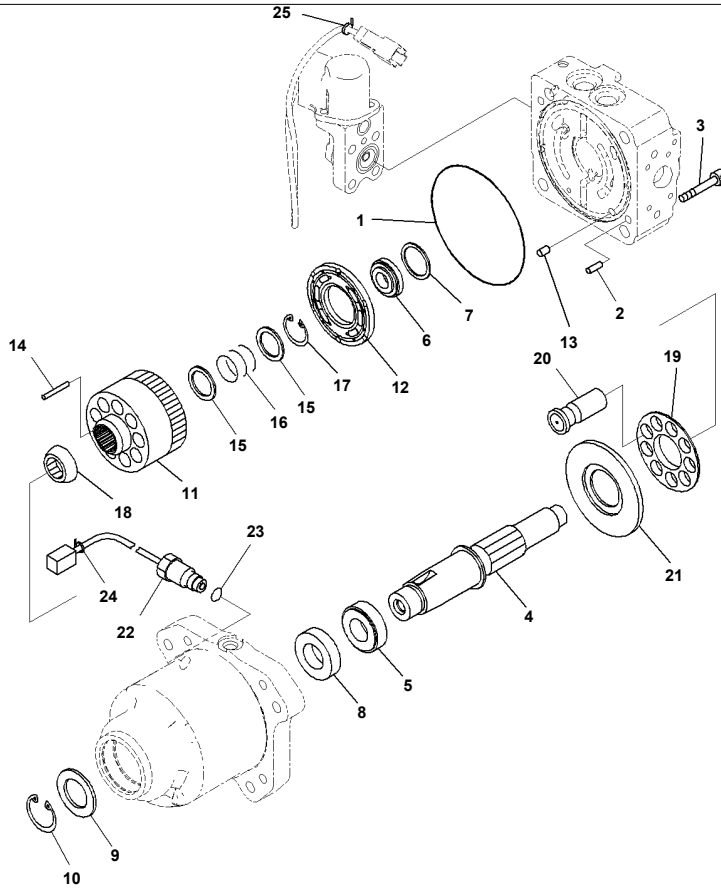
HM400-3 S/N 3001-UP
Radiator, Fan Motor (2/4) (#3001-)

Index	Code	Part Number	Description	Qty	Serial No.
		708-7W-00230	Motor Assembly	1	3001-
1		708-7S-01330	• Valve Assembly, Pilot	1	3001-
2		702-21-55870	• • O-ring	1	3001-
3		01252-60616	• • Bolt, Hexagon Socket Head	2	3001-
4		708-7S-18360	• • O-ring	1	3001-
5		702-21-54180	• • Screw	2	3001-
6		07000-F1008	• • O-ring	1	3001-
7		708-7S-18230	• • O-ring	1	3001-
8		07040-11007	• • Plug	1	3001-
9		07002-21023	• • O-ring	1	3001-
10		708-1S-18180	• • Cover	1	3001-
11		01252-60835	• Bolt, Hexagon Socket Head	4	3001-

Reference:C0110-001004

Page:C001004

HM400-3 S/N 3001-UP
JM002058



JM002058

Reference:C0110-001005

Page:C001005

HM400-3 S/N 3001-UP
Radiator, Fan Motor (3/4) (#3001-)

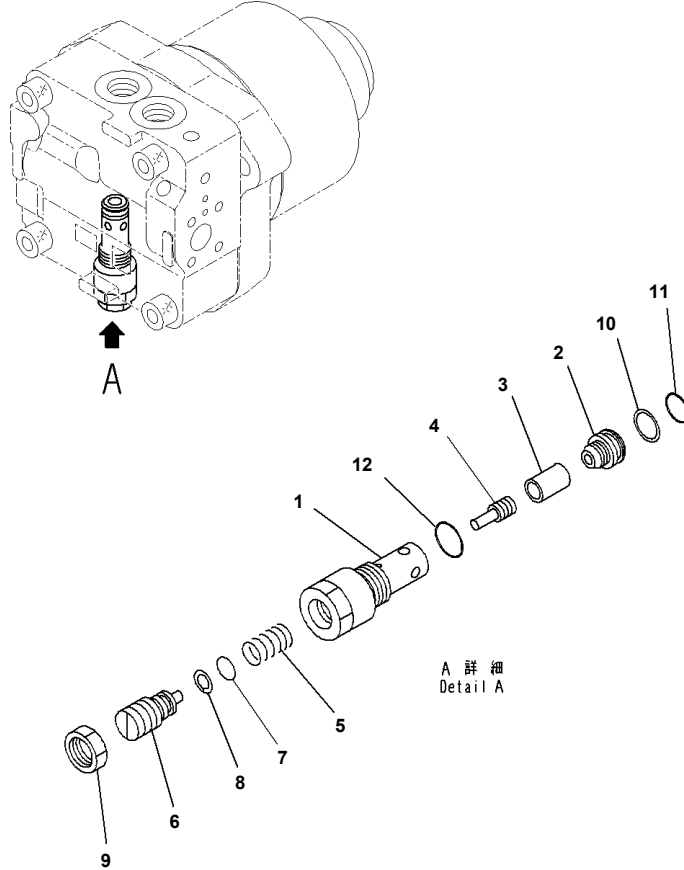
Index	Code	Part Number	Description	Qty	Serial No.
		708-7W-00230	Motor Assembly	1	3001-
1		708-7W-11920	• O-ring	1	3001-
2		04020-01024	• Pin, Dowel	2	3001-
3		01252-61480	• Bolt	4	3001-
4	C2	(708-7W-12130)	• Shaft	1	3001-
5	C2	(708-7W-12120)	• Bearing	1	3001-
6	C2	(708-7L-12140)	• Bearing	1	3001-
7	C2	(708-7L-05010)	• Spacer Kit	1	3001-
	C1		• • Spacer, T=1.5mm	1	3001-
	C1		• • Spacer, T=1.6mm	1	3001-
	C1		• • Spacer, T=1.7mm	1	3001-
	C1		• • Spacer, T=1.8mm	1	3001-
	C1		• • Spacer, T=1.9mm	1	3001-
	C1		• • Spacer, T=2.0mm	1	3001-
8	C2	(708-25-52861)	• Seal, Oil	1	3001-
9		708-2L-22160	• Spacer	1	3001-
10		04065-06825	• Ring, Snap	1	3001-
11	C2	(708-7W-13110)	• Block, Cylinder	1	3001-
12	C2	(708-8F-33230)	• Plate, Valve	1	3001-
13	C2	(720-68-19610)	• Pin	1	3001-
14	C2	(708-8F-33360)	• Pin	3	3001-
15	C2	(708-7L-13140)	• Seat	2	3001-
16	C2	(708-8F-33160)	• Spring	1	3001-
17	C2	(04065-04818)	• Ring, Snap	1	3001-
18	C2	(708-8F-33350)	• Guide, Retainer	1	3001-
19	C2	(708-2L-33350)	• Retainer, Shoe	1	3001-
20	C2	(708-8F-33310)	• Piston Subassembly	9	3001-
21	C2	(708-7L-13410)	• Plate, Thrust	1	3001-
22		729-11-41000	• Sensor	1	3001-
23		07002-21423	• O-ring	1	3001-

Reference:C0110-001005

Page:C001005

HM400-3 S/N 3001-UP
Radiator, Fan Motor (3/4) (#3001-)

Index	Code	Part Number	Description	Qty	Serial No.
24		20Y-62-22790	• Band, Red	1	3001-
25		20Y-62-22830	• Band, White	1	3001-



00039376

Reference:C0110-001006

Page:C001006

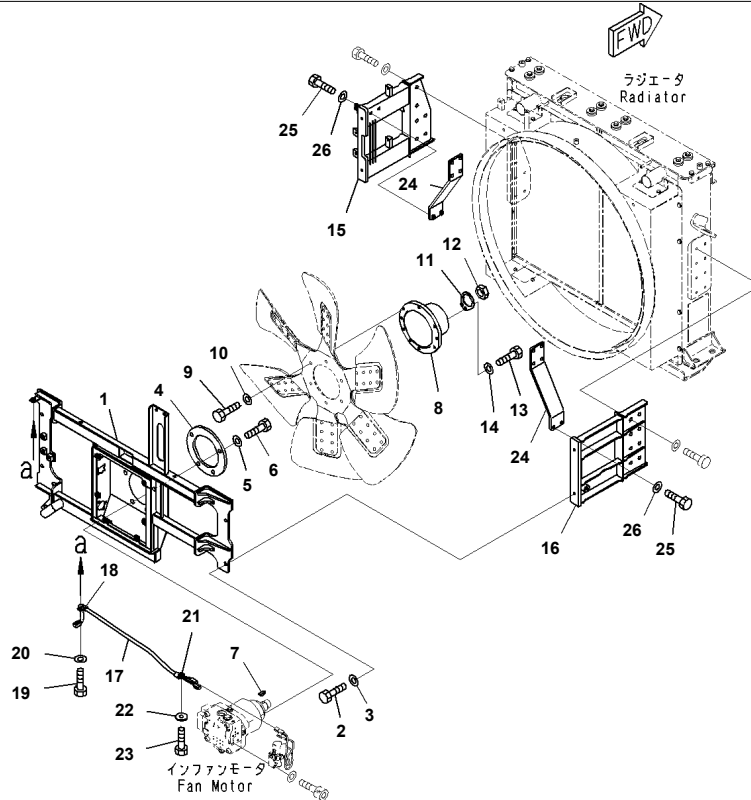
HM400-3 S/N 3001-UP
Radiator, Fan Motor (4/4) (#3001-)

Index	Code	Part Number	Description	Qty	Serial No.
		708-7W-00230	Motor Assembly	1	3001-
		702-73-01620	· Valve Assembly, Relief	1	3001-
1	C1		· · Sleeve	1	3001-
2	C1		· · Seat	1	3001-
3	C1		· · Valve	1	3001-
4	C1		· · Piston	1	3001-
5	C1		· · Spring	1	3001-
6	C1		· · Screw	1	3001-
7	C1		· · O-ring	1	3001-
8	C1		· · Ring, Back-up	1	3001-
9	C1		· · Nut	1	3001-
10		723-60-22230	· · Ring, Back-up	1	3001-
11		07000-F2016	· · O-ring	1	3001-
12		07002-22434	· · O-ring	1	3001-

Reference:C0110-001006

Page:C001006

HM400-3 S/N 3001-UP
JM002060



JM002060

Reference:C0110-001007

Page:C001007

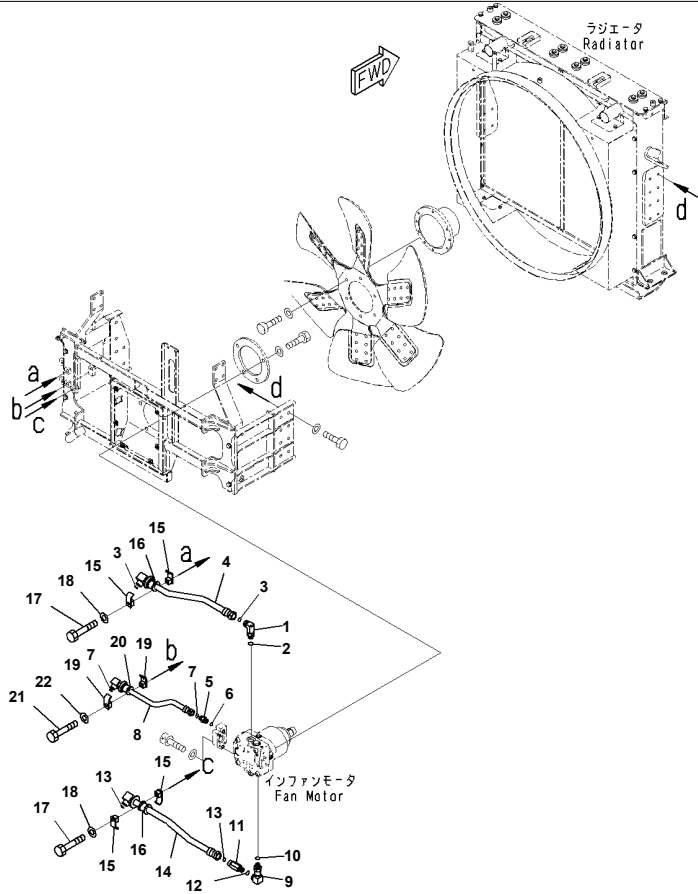
HM400-3 S/N 3001-UP
Radiator, Fan Motor Mounting (#3001-)

Index	Code	Part Number	Description	Qty	Serial No.
1		56B-03-33311	Bracket	1	3001-
2		01010-81235	Bolt	4	3001-
3		01643-31232	Washer	4	3001-
4		56B-03-31391	Plate	1	3001-
5		01643-31645	Washer	4	3001-
6		01010-81655	Bolt	4	3001-
7		04010-01032	Key	1	3001-
8		21M-03-22250	Boss	1	3001-
9		01010-81240	Bolt	6	3001-
10		01643-31232	Washer	6	3001-
11		01660-03650	Lock	1	3001-
12		01583-13621	Nut	1	3001-
13		01010-81020	Bolt	1	3001-
14		01643-31032	Washer	1	3001-
15		56B-03-31321	Bracket	1	3001-
16		56B-03-31331	Bracket	1	3001-
17		56B-06-31490	Wiring Harness	1	3001-
18		04434-51410	Clip	1	3001-
19		01010-81020	Bolt	1	3001-
20		01643-31032	Washer	1	3001-
21		04434-51410	Clip	1	3001-
22		144-854-1890	Washer	1	3001-
23		01010-81020	Bolt	1	3001-
24		56B-03-31341	Bracket	2	3001-
25		01010-81030	Bolt	4	3001-
26		01643-31032	Washer	4	3001-

Reference:C0110-001007

Page:C001007

HM400-3 S/N 3001-UP
JM003927



JM003927

Reference:C0110-001008

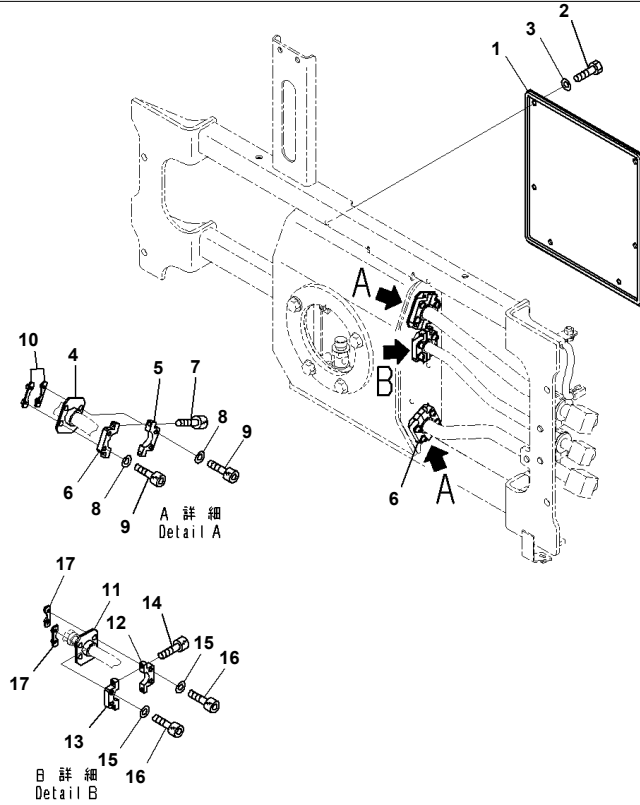
Page:C001008

HM400-3 S/N 3001-UP
Radiator, Fan Motor Piping (#3001-)

Index	Code	Part Number	Description	Qty	Serial No.
1		02782-1062A	Elbow	1	3001-
2		07002-22434	O-ring	1	3001-
3		02896-21018	O-ring	2	3001-
4		56B-03-31412	Tube	1	3001-
	B1	56B-03-31411	Tube	1	(3001-3071)
5		02781-00422	Union	1	3001-
6		07002-22034	O-ring	1	3001-
7		02896-21015	O-ring	2	3001-
8		56B-03-31422	Tube	1	3001-
	B1	56B-03-31421	Tube	1	(3001-3071)
9		21N-62-41391	Elbow	1	3001-
10		07002-22434	O-ring	1	3001-
11		11Y-62-12440	Nipple	1	3001-
12		07002-22434	O-ring	1	3001-
13		02896-21018	O-ring	2	3001-
14		56B-03-31432	Tube	1	3001-
	B1	56B-03-31431	Tube	1	(3001-3071)
15		07094-10620	Clamp	4	3001-
16		07095-00627	Cushion	2	3001-
17		01010-81280	Bolt	2	3001-
18		01643-31232	Washer	2	3001-
19		07094-10518	Clamp	2	3001-
20		07095-00422	Cushion	1	3001-
21		01010-81275	Bolt	1	3001-
22		01643-31232	Washer	1	3001-

Reference:C0110-001008

Page:C001008



JM002063

Reference:C0110-001009

Page:C001009

HM400-3 S/N 3001-UP
Radiator, Cover (#3001-)

Index	Code	Part Number	Description	Qty	Serial No.
1		56B-03-33351	Cover	1	3001-
2		01010-80825	Bolt	6	3001-
3		01643-30823	Washer	6	3001-
4		56B-03-31971	Rubber	2	3001-
5		56B-03-31950	Clamp	2	3001-
6		56B-03-31960	Clamp	2	3001-
7		01252-A0625	Bolt, Hexagon Socket Head	4	3001-
8		01643-30623	Washer	8	3001-
9		01252-A0635	Bolt, Hexagon Socket Head	8	3001-
10		56B-03-31990	Plate	4	3001-
11		56D-03-31980	Rubber	1	3001-
12		56D-03-31950	Clamp	1	3001-
13		56D-03-31960	Clamp	1	3001-
14		01252-A0620	Bolt, Hexagon Socket Head	2	3001-
15		01643-30623	Washer	4	3001-
16		01252-A0635	Bolt, Hexagon Socket Head	4	3001-
17		56D-03-31990	Plate	2	3001-

Reference:C0110-001009

Page:C001009



Download the full PDF manual instantly.

Our customer service e-mail:

aservicemanualpdf@yahoo.com