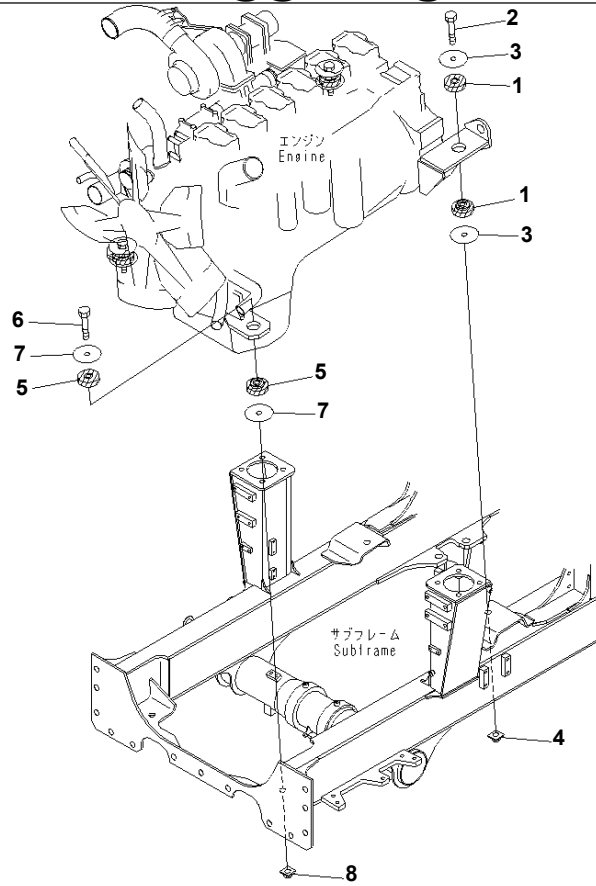


HM400-2 S/N 2001-2632 (ecot3)
HM400-2 S/N 2001-2632 (ecot3)

Item	Part Name
	SAA6D140E-5C-01 S/N 530001-UP
B0	ENGINE RELATED PARTS
C0	COOLING SYSTEM
D0	FUEL TANK AND RELATED PARTS
E0	ELECTRICAL SYSTEM
F0	POWER TRAIN
H0	HYDRAULIC SYSTEM
J0	MAIN FRAME AND RELATED PARTS
K0	OPERATOR'S COMPARTMENT AND CONTROL SYSTEM
M0	GUARD
S0	RIM AND TIRE
T0	BODY
U0	MARKS AND PLATES
V0	TOOL
W0	MISCELLANEOUS
Y0	SERVICE KIT AND COMPONENT PARTS

HM400-2 S/N 2001-2632 (ecot3)
ENGINE RELATED PARTS

Item	Part Name	Qty
10	ENGINE MOUNTING(#2001-)	1
20	ENGINE HOSE(#2001-)	1
30	ENGINE PIPING (EXHAUST)(#2001-)	1
40	ENGINE PIPING (AIR INTAKE)(#2001-)	1
50	AIR CONDITIONER AND HEATER (HEATER PIPING)(#2001-)	1
60	AIR CONDITIONER AND HEATER (AIR COMPRESSOR AND RELATED PARTS)(#2001-2411)	1
70	AIR CONDITIONER AND HEATER (AIR COMPRESSOR AND RELATED PARTS)(#2412-)	1
80	DAMPER(#2001-)	1



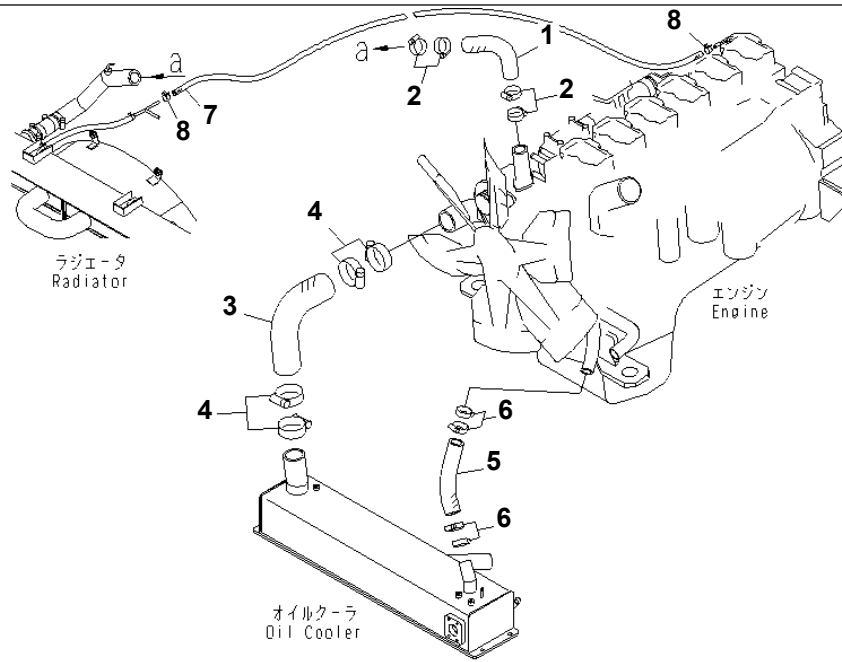
P.02B.247

Ref. B0100-01A0

Page 030010

HM400-2 S/N 2001-2632 (ecot3)
ENGINE MOUNTING(#2001-)

Item	Part No.	Part Name	Qty	Serial No.
1	425-01-11350	CUSHION	4	2001-
2	01011-62225	BOLT	2	2001-
3	424-01-11220	WASHER	4	2001-
4	425-01-11250	PLATE	2	2001-
5	425-01-11370	CUSHION	4	2001-
6	01011-62225	BOLT	2	2001-
7	424-01-11220	WASHER	4	2001-
8	425-01-11250	PLATE	2	2001-

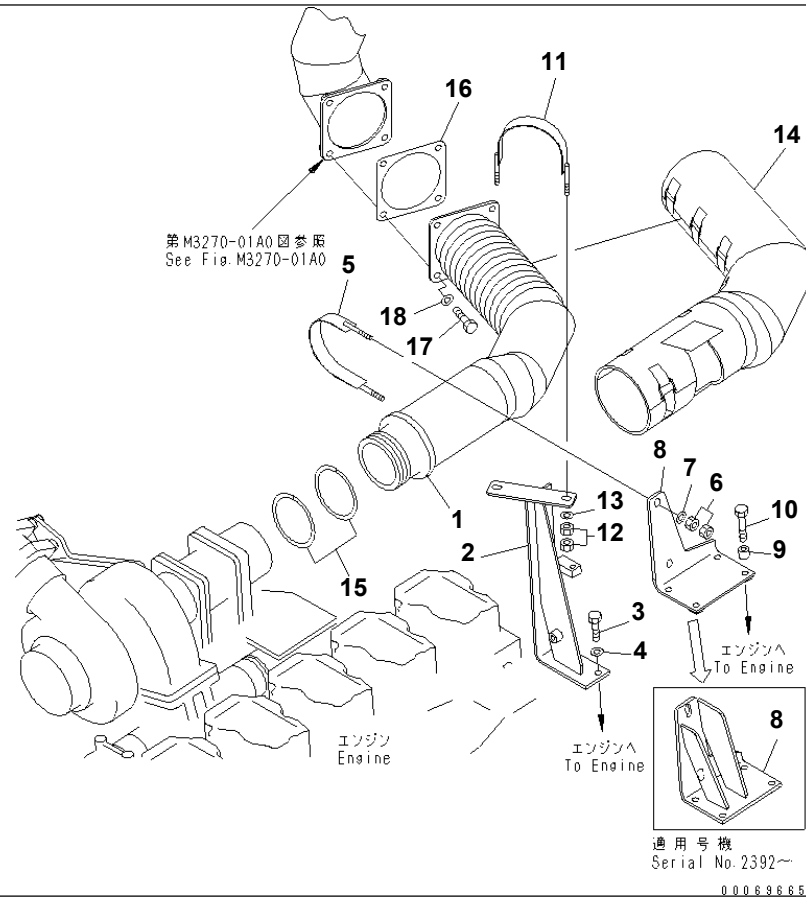


HM400-2 S/N 2001-2632 (ecot3)

ENGINE HOSE(#2001-)

Item	Part No.	Part Name	Qty	Serial No.
1	56B-03-21610	HOSE	1	2001-
2	07299-00070	CLAMP	4	2001-
3	56B-03-21620	HOSE	1	2001-
4	07299-00105	CLAMP	4	2001-
5	56B-03-21530	HOSE	1	2001-
6	07299-00055	CLAMP	4	2001-
7	09483-10315	HOSE	1	2001-
8	11Y-09-11140	CLIP	2	2001-

HM400-2 S/N 2001-2632 (ecot3)
00069665

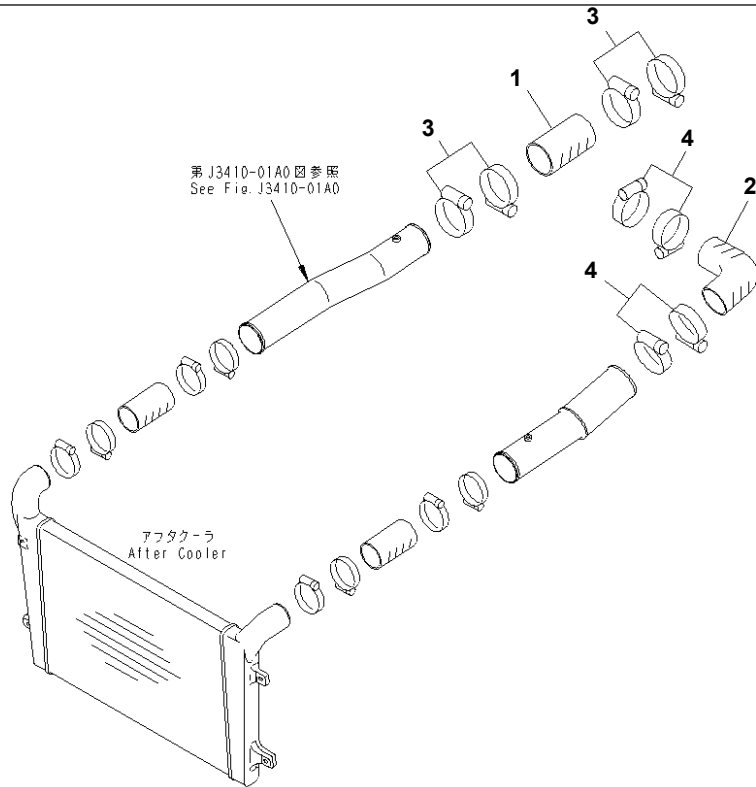


Ref. B0130-01A0

Page 030030

HM400-2 S/N 2001-2632 (ecot3)
ENGINE PIPING (EXHAUST)(#2001-)

Item	Part No.	Part Name	Qty	Serial No.
1	56B-02-21712	TUBE	1	2171-
	□56B-02-21711	TUBE	1	2001-2170
2	56B-02-21122	BRACKET	1	2001-
3	01010-81025	BOLT	2	2001-
4	01643-31032	WASHER	2	2001-
5	56B-02-21810	CLAMP	1	2001-
6	01580-11008	NUT	4	2001-
7	01643-31032	WASHER	2	2001-
8	56B-02-21791	BRACKET	1	2001-
	(☑)56B-02-21790	BRACKET	1	(2001-2391)
9	56B-02-22170	SPACER	4	2339-
	□6631-11-5630	SPACER	4	2001-2338
10	01010-E1040	BOLT	4	2001-
11	56B-02-21810	CLAMP	1	2001-
12	01580-11008	NUT	4	2001-
13	01643-31032	WASHER	2	2001-
14	56B-02-21723	COVER	1	2626-
	□56B-02-21722	COVER	1	2001-2625
15	566-02-81160	RING	2	2001-
16	56B-02-11591	GASKET	1	2001-
17	01010-81030	BOLT	4	2001-
18	01643-31032	WASHER	4	2001-



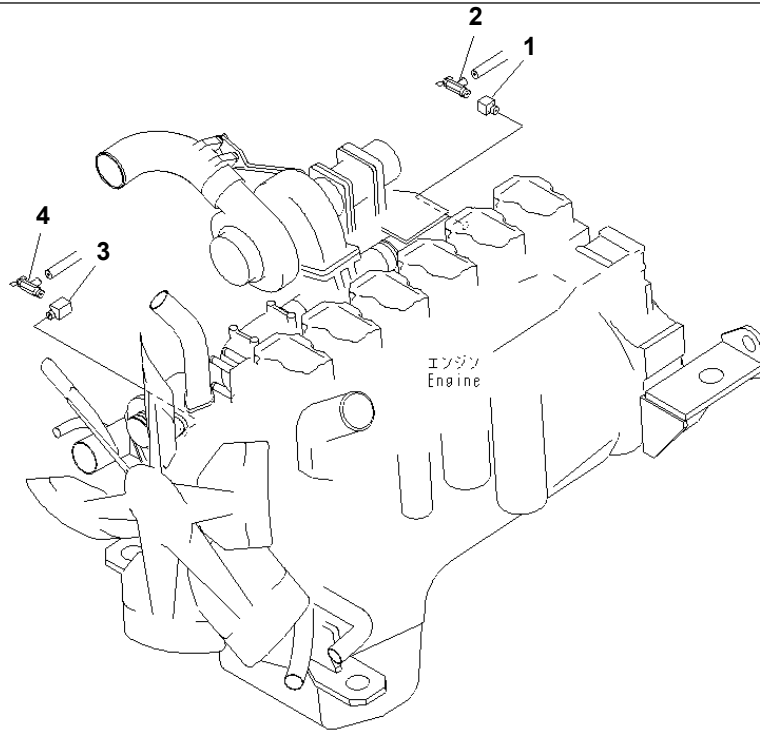
Ref. B0130-02A0

00049699

Page 030040

HM400-2 S/N 2001-2632 (ecot3)
ENGINE PIPING (AIR INTAKE)(#2001-)

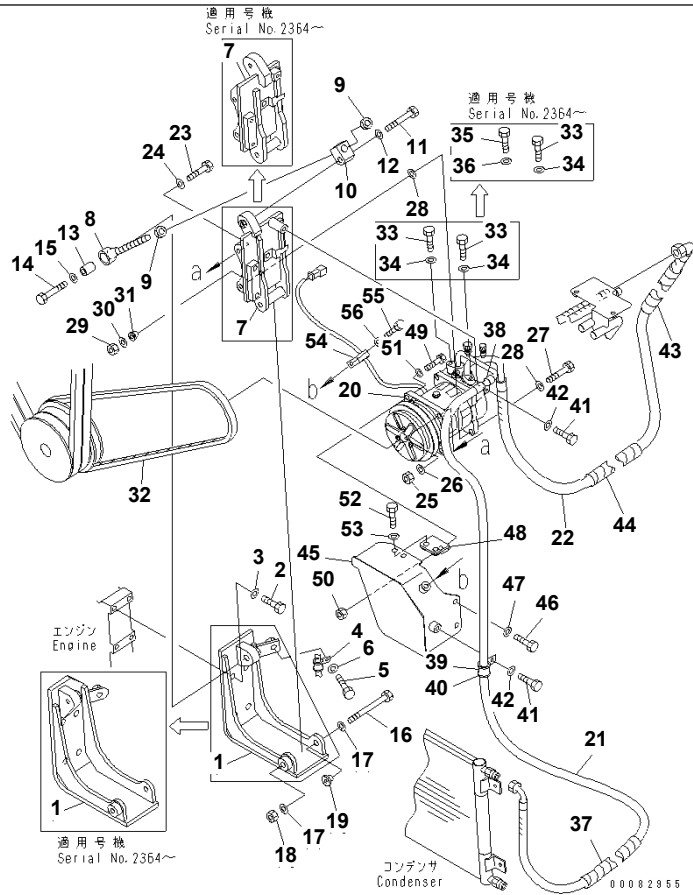
Item	Part No.	Part Name	Qty	Serial No.
1	56D-02-22290	HOSE	1	2001-
2	569-02-6E140	HOSE	1	2001-
3	569-02-82190	CLAMP	4	2116-
	□07299-00105	CLAMP	4	2001-2115
4	569-02-82180	CLAMP	4	2116-
	□07299-00120	CLAMP	4	2001-2115



HM400-2 S/N 2001-2632 (ecot3)

AIR CONDITIONER AND HEATER (HEATER PIPING)(#2001-)

Item	Part No.	Part Name	Qty	Serial No.
1	569-07-63340	ADAPTER	1	2001-
2	09482-20000	VALVE	1	2001-
3	561-07-45120	ELBOW	1	2001-
4	09482-20000	VALVE	1	2001-



Ref. B0150-02A0

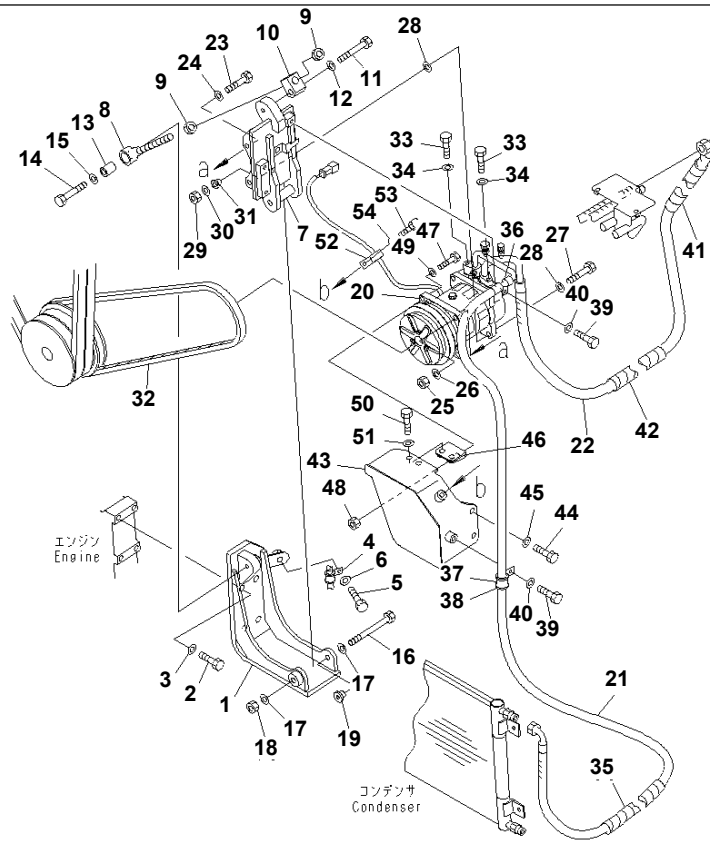
Page 030060

HM400-2 S/N 2001-2632 (ecot3)
AIR CONDITIONER AND HEATER (AIR COMPRESSOR AND RELATED PARTS)(#2001-2411)

Item	Part No.	Part Name	Qty	Serial No.
1	56B-07-22762	BRACKET	1	2001-@
	(☒56B-07-22761)	BRACKET	1	(2001-2363)
2	01010-81230	BOLT	4	2001-@
3	01643-31232	WASHER	4	2001-@
4	600-051-6120	CLIP	1	2181-@
	□6261-51-995A	CLIP	1	2001-2180
5	01010-81020	BOLT	1	2001-@
6	01643-31032	WASHER	1	2001-@
7	56B-07-22774	BRACKET	1	2001-@
	(☒56B-07-22772)	BRACKET	1	(2001-2363)
8	6240-81-8610	ROD	1	2001-@
9	01580-11613	NUT	2	2364-@
	01580-01613	NUT	2	2001-2363
10	6240-81-8670	PLATE	1	2001-@
11	01010-81275	BOLT	1	2001-@
12	01643-31232	WASHER	1	2001-@
13	6215-81-6150	PIN	1	2001-@
14	01010-81270	BOLT	1	2364-2411
	01010-81275	BOLT	1	2001-2363
15	01643-31232	WASHER	1	2001-@
16	125-70-21210	BOLT	1	2001-@
17	01643-31232	WASHER	2	2001-@
18	01580-11210	NUT	1	2001-@
19	566-07-6A580	COLLAR	1	2001-@
	56B-07-22202	COMPRESSOR KIT	1	2364-@
	56B-07-22201	COMPRESSOR KIT	1	2001-2363
20	425-S62-3321	・ COMPRESSOR ASS'Y	1	2001-@
21	56B-07-22923	・ HOSE	1	2364-@

HM400-2 S/N 2001-2632 (ecot3)
AIR CONDITIONER AND HEATER (AIR COMPRESSOR AND RELATED PARTS)(#2001-2411)

Item	Part No.	Part Name	Qty	Serial No.
21	56B-07-22922	· HOSE	1	2001-2363
	AN51439-D0041	· · O-RING	1	2001-@
22	56B-07-23131	· HOSE	1	2364-@
	56B-07-23130	· HOSE	1	2001-2363
	AN51439-D0051	· · O-RING	1	2001-@
23	01010-81045	BOLT	2	2001-@
24	01643-31032	WASHER	2	2001-@
25	01580-11008	NUT	2	2364-@
	01580-01008	NUT	2	2001-2363
26	01643-31032	WASHER	2	2001-@
27	01010-81055	BOLT	2	2001-@
28	01643-31032	WASHER	2	2001-@
29	01580-11008	NUT	2	2364-@
	01580-01008	NUT	2	2001-2363
30	01643-31032	WASHER	4	2001-@
31	425-S62-3160	COLLAR	2	2001-@
32	04120-21734	V-BELT	1	2001-@
33	01010-80825	BOLT	1	2364-2411
	01010-80630	BOLT	2	2001-2363
34	01643-30823	WASHER	1	2364-2411
	01643-30623	WASHER	2	2001-2363
35	01010-80830	BOLT	1	2364-2411
36	01643-30823	WASHER	1	2364-2411
37	08017-B1905	CONDUIT	1	2001-@
38	04434-51210	CLIP	1	2001-@
39	04434-52512	CLIP	1	2001-@
40	566-06-41290	INSULATOR	1	2001-@
41	01010-81016	BOLT	2	2001-@
42	01643-31032	WASHER	2	2001-@
43	08210-02906	SPIRAL TUBE	1	2001-@
44	08210-02903	SPIRAL TUBE	1	2001-@
45	56B-07-22832	COVER	1	2001-@
46	01010-81020	BOLT	2	2001-@
47	01643-31032	WASHER	2	2001-@
48	56B-07-22890	BRACKET	1	2001-@
49	01010-81035	BOLT	1	2001-@
50	01580-11008	NUT	1	2001-@
51	01643-31032	WASHER	1	2001-@
52	01010-81020	BOLT	2	2001-@
53	01643-31032	WASHER	2	2001-@
54	04434-51010	CLIP	1	2001-@
55	01010-81016	BOLT	1	2001-@
56	01643-31032	WASHER	1	2001-@



00079696

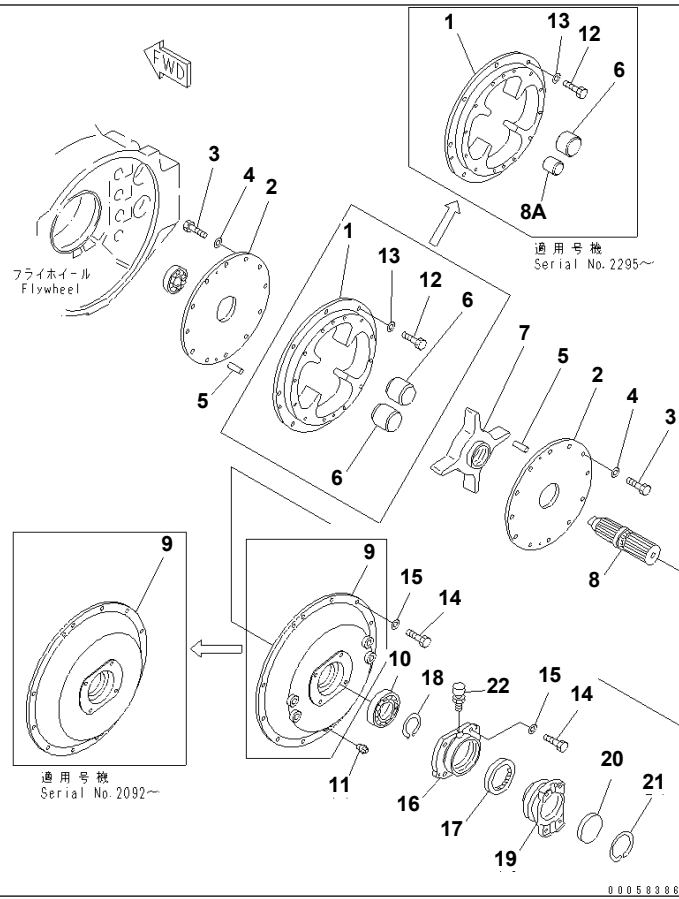
HM400-2 S/N 2001-2632 (ecot3)
AIR CONDITIONER AND HEATER (AIR COMPRESSOR AND RELATED PARTS)(#2412-)

Item	Part No.	Part Name	Qty	Serial No.
1	56B-07-22762	BRACKET	1	2001-
2	01010-81230	BOLT	4	2001-
3	01643-31232	WASHER	4	2001-
4	600-051-6120	CLIP	1	2181-
5	01010-81020	BOLT	1	2001-
6	01643-31032	WASHER	1	2001-
7	56B-07-22774	BRACKET	1	2001-
8	6240-81-8610	ROD	1	2001-
9	01580-11613	NUT	2	2364-
10	6240-81-8670	PLATE	1	2001-
11	01010-81275	BOLT	1	2001-
12	01643-31232	WASHER	1	2001-
13	6215-81-6150	PIN	1	2001-
14	01010-81270	BOLT	1	2364-
15	01643-31232	WASHER	1	2001-
16	125-70-21210	BOLT	1	2001-
17	01643-31232	WASHER	2	2001-
18	01580-11210	NUT	1	2001-
19	566-07-6A580	COLLAR	1	2001-
	56B-07-22202	COMPRESSOR KIT	1	2364-
20	425-S62-3321	・ COMPRESSOR ASS'Y	1	2001-
21	56B-07-22923	・ HOSE	1	2364-
22	56B-07-23131	・ HOSE	1	2364-
23	01010-81045	BOLT	2	2001-
24	01643-31032	WASHER	2	2001-
25	01580-11008	NUT	2	2364-
26	01643-31032	WASHER	2	2001-
27	01010-81055	BOLT	2	2001-

HM400-2 S/N 2001-2632 (ecot3)
AIR CONDITIONER AND HEATER (AIR COMPRESSOR AND RELATED PARTS)(#2412-)

Item	Part No.	Part Name	Qty	Serial No.
28	01643-31032	WASHER	2	2001-
29	01580-11008	NUT	2	2364-
30	01643-31032	WASHER	4	2001-
31	425-S62-3160	COLLAR	2	2001-
32	04120-21734	V-BELT	1	2001-
33	01010-80835	BOLT	2	2412-
34	01643-30823	WASHER	2	2412-
35	08017-B1905	CONDUIT	1	2001-
36	04434-51210	CLIP	1	2001-
37	04434-52512	CLIP	1	2001-
38	566-06-41290	INSULATOR	1	2001-
39	01010-81016	BOLT	2	2001-
40	01643-31032	WASHER	2	2001-
41	08210-02906	SPIRAL TUBE	1	2001-
42	08210-02903	SPIRAL TUBE	1	2001-
43	56B-07-22832	COVER	1	2001-
44	01010-81020	BOLT	2	2001-
45	01643-31032	WASHER	2	2001-
46	56B-07-22890	BRACKET	1	2001-
47	01010-81035	BOLT	1	2001-
48	01580-11008	NUT	1	2001-
49	01643-31032	WASHER	1	2001-
50	01010-81020	BOLT	2	2001-
51	01643-31032	WASHER	2	2001-
52	04434-51010	CLIP	1	2001-
53	01010-81016	BOLT	1	2001-
54	01643-31032	WASHER	1	2001-

HM400-2 S/N 2001-2632 (ecot3)
00058386



Ref. B0600-01A0

Page 030080

HM400-2 S/N 2001-2632 (ecot3)
DAMPER(#2001-)

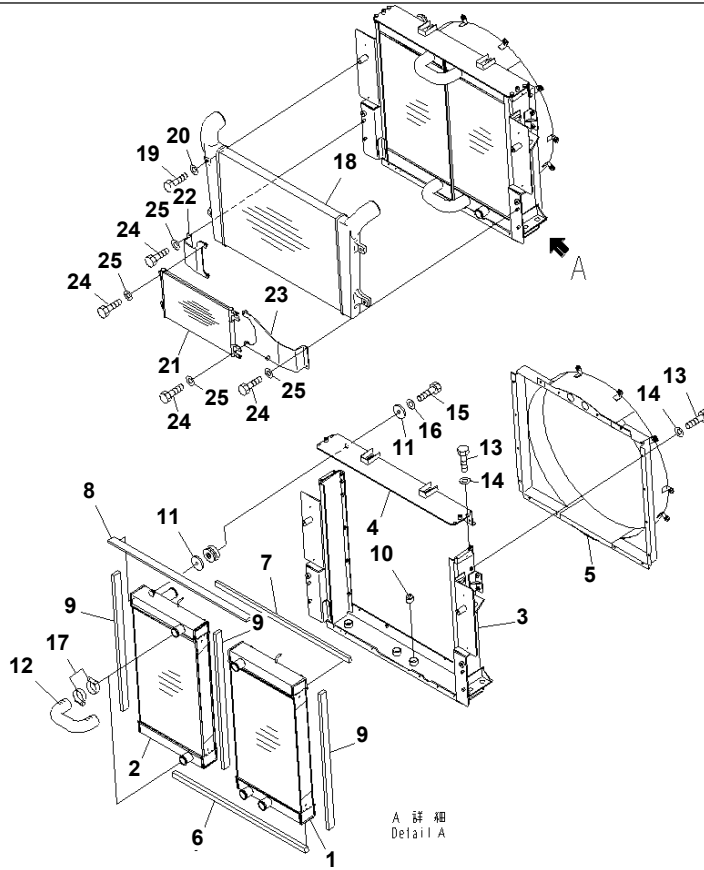
Item	Part No.	Part Name	Qty	Serial No.
1	566-01-82140	BODY, OUTER	1	2001-
	(☑566-01-72140)	BODY, OUTER	1	(2001-2294)
2	566-01-22161	FLANGE	2	2001-
3	01010-61030	BOLT	24	2001-
4	01643-31032	WASHER	24	2001-
5	04020-00820	PIN	4	2001-
6	566-01-82180	CUSHION	4	2295-
	287-01-12180	CUSHION	8	2001-2294
7	566-01-82150	BODY, INNER	1	2295-
	566-01-72150	BODY, INNER	1	2001-2294
8	566-01-72210	SHAFT	1	2001-
8A	566-01-82190	CUSHION	1	2295-
9	566-01-72110	COVER	1	2001-
	(☑56B-01-12111)	COVER	1	(2001-2091)
10	06040-06213	BEARING	1	2001-
11	07042-70108	PLUG	1	2001-2091
12	01010-61230	BOLT	8	2001-
13	01643-31232	WASHER	8	2001-
14	01010-61235	BOLT	16	2001-
15	01643-31232	WASHER	16	2001-
16	56B-01-12120	COVER	1	2001-
17	566-01-22912	SEAL	1	2001-
18	04064-06525	RING	1	2001-
	56B-01-12710	COUPLING ASS'Y	1	2001-
19	56B-01-12720	・ COUPLING	1	2001-
20	569-01-62790	・ CAP	1	2001-
21	04065-09530	・ RING, SNAP	1	2001-
22	07030-01030	BREATHER	1	2001-

HM400-2 S/N 2001-2632 (ecot3)

COOLING SYSTEM

Item	Part Name	Qty
10	RADIATOR AND AFTER COOLER(#2001-2461)	1
20	RADIATOR AND AFTER COOLER(#2462-)	1
30	RADIATOR (BAFFLE)(#2001-)	1
40	RADIATOR (FAN NET)(#2001-)	1
50	RADIATOR (MOUNTING PARTS)(#2001-)	1
60	COOLANT LINE(#2001-)	1
70	COOLANT LINE (RESERVE TANK)(#2001-)	1
80	BRAKE OIL COOLER(#2001-)	1

HM400-2 S/N 2001-2632 (ecot3)
00048024



00048024

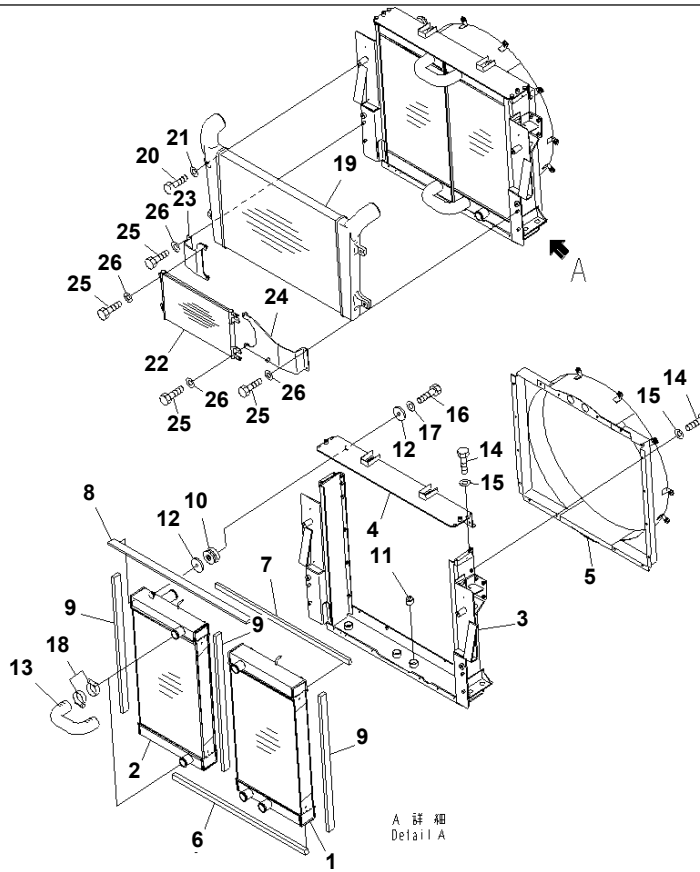
Ref. C0110-01A0

Page 060010

HM400-2 S/N 2001-2632 (ecot3)
RADIATOR AND AFTER COOLER(#2001-2461)

Item	Part No.	Part Name	Qty	Serial No.
	56B-03-21102	RADIATOR ASS'Y	1	2150-2461
	56B-03-21101	RADIATOR ASS'Y	1	2001-2149
	56B-03-21202	· RADIATOR ASS'Y	1	2150-2461
	56B-03-21201	· RADIATOR ASS'Y	1	2001-2149
1	56B-03-21210	· · CORE	1	2150-2461
2	56B-03-21220	· · CORE	1	2150-2461
3	56B-03-21230	· · FRAME	1	2001-2461
4	56B-03-21240	· · BRACKET	1	2001-2461
5	56B-03-21260	· · SHROUD	1	2001-2461
6	56B-03-21310	· · PACKING	1	2001-2461
7	56B-03-21320	· · PACKING	1	2001-2461
8	56B-03-21330	· · PACKING	1	2001-2461
9	56B-03-21340	· · PACKING	3	2001-2461
10	23C-03-51751	· · CUSHION	4	2001-2461
11	207-03-75590	· · PLATE	8	2001-2461
12	56D-03-21250	· · HOSE	2	2001-2461
13	01010-81025	· · BOLT	24	2001-2461
14	01643-31032	· · WASHER	24	2001-2461
15	01010-81050	· · BOLT	4	2001-2461
16	01643-31032	· · WASHER	4	2001-2461
17	07299-00070	· · CLAMP	8	2001-2461
18	6212-62-4100	· AFTERCOOLER ASS'Y	1	2001-2461
19	01010-81245	· BOLT	4	2001-2461
20	01643-31232	· WASHER	4	2001-2461
21	56D-07-21100	· CONDENSER ASS'Y	1	2001-@
22	56B-07-22861	· BRACKET	1	2001-@
23	56B-07-22871	· BRACKET	1	2001-@
24	01010-80820	· BOLT	8	2001-@
25	01643-30823	· WASHER	8	2001-@

HM400-2 S/N 2001-2632 (ecot3)
00085903



00085903

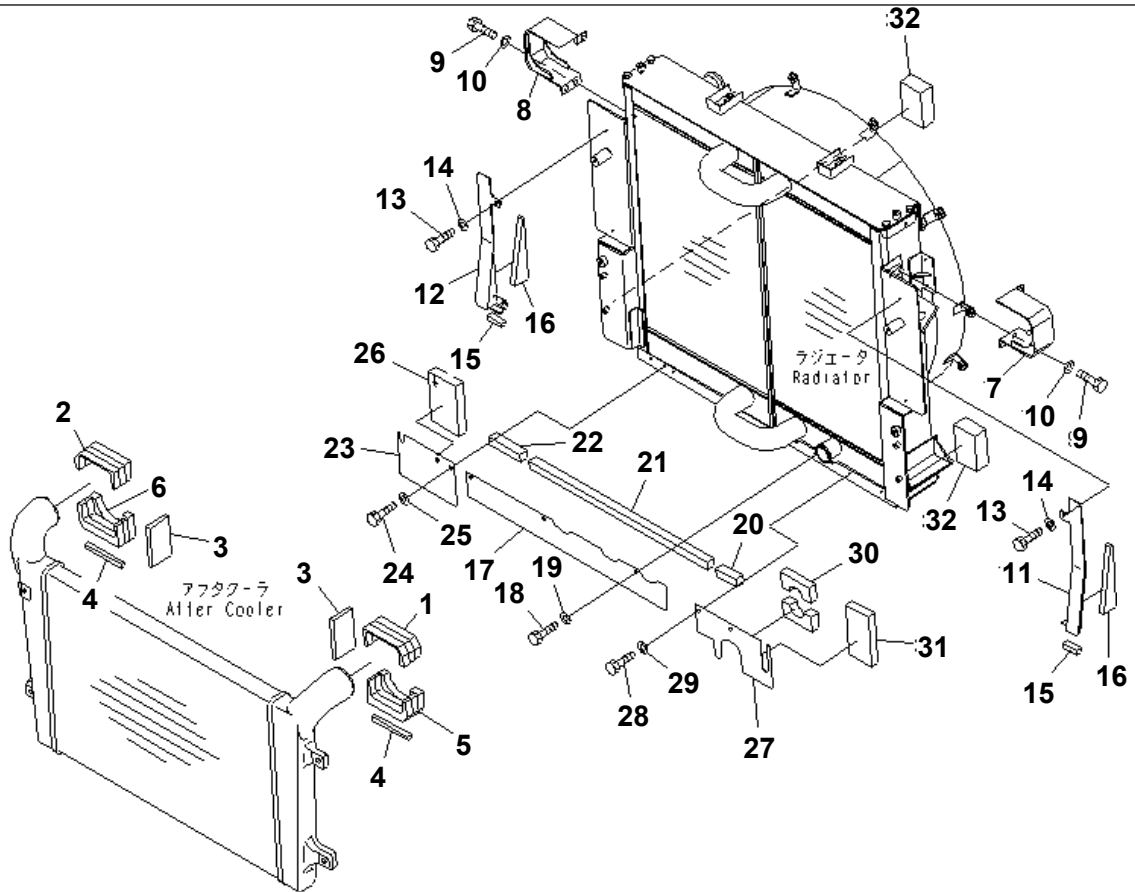
Ref. C0110-01A0A

Page 060020

HM400-2 S/N 2001-2632 (ecot3)
RADIATOR AND AFTER COOLER(#2462-)

Item	Part No.	Part Name	Qty	Serial No.
	56B-03-23100	RADIATOR ASS'Y	1	2462-
	56B-03-23200	· RADIATOR SUB ASS'Y	1	2462-
1	56B-03-21210	· · CORE	1	2150-
2	56B-03-21220	· · CORE	1	2150-
3	56B-03-23230	· · FRAME	1	2207-
4	56B-03-21240	· · BRACKET	1	2001-
5	56B-03-21260	· · SHROUD	1	2001-
6	56B-03-21310	· · PACKING	1	2001-
7	56B-03-21320	· · PACKING	1	2001-
8	56B-03-21330	· · PACKING	1	2001-
9	56B-03-21340	· · PACKING	3	2001-
	56B-03-21340	· · PACKING	3	2001-
10	195-03-41380	· · CUSHION	4	2207-
11	23C-03-51751	· · CUSHION	4	2001-
12	207-03-75590	· · PLATE	8	2001-
13	56D-03-21250	· · HOSE	2	2001-
14	01010-81025	· · BOLT	24	2001-
15	01643-31032	· · WASHER	24	2001-
16	01010-81050	· · BOLT	4	2001-
17	01643-31032	· · WASHER	4	2001-
18	07299-00070	· · CLAMP	8	2001-
19	6212-62-4100	· AFTERCOOLER ASS'Y	1	2001-
20	01010-81245	· BOLT	4	2001-
21	01643-31232	· WASHER	4	2001-
22	56E-07-21132	· CONDENSER ASS'Y	1	2001-
23	56B-07-22861	· BRACKET	1	2001-
24	56B-07-22871	· BRACKET	1	2001-
25	01010-80820	· BOLT	8	2001-
26	01643-30823	· WASHER	8	2001-

HM400-2 S/N 2001-2632 (ecot3)
00048026



Ref. C0110-02A0

Page 060030

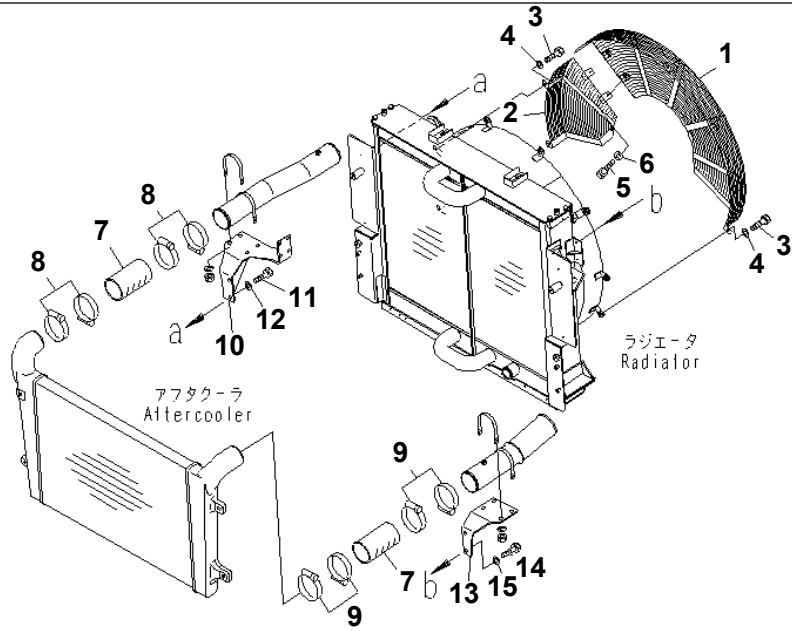
HM400-2 S/N 2001-2632 (ecot3)
RADIATOR (BAFFLE)(#2001-)

Item	Part No.	Part Name	Qty	Serial No.
1	56B-03-21860	SHEET,L.H.	1	2001-
2	56B-03-21870	SHEET,R.H.	1	2001-
3	56B-03-22220	SHEET	2	2001-
4	56B-03-22230	SHEET	2	2001-
5	56B-03-21881	SHEET,L.H.	1	2001-
6	56B-03-21891	SHEET,R.H.	1	2001-
7	56B-03-21841	BRACKET,L.H.	1	2001-
8	56B-03-21851	BRACKET,R.H.	1	2001-
9	01010-81016	BOLT	6	2001-
10	01643-31032	WASHER	6	2001-
11	56B-03-21820	BRACKET,L.H.	1	2001-2461
12	56B-03-21830	BRACKET,R.H.	1	2001-2461
13	01010-80820	BOLT	4	2001-2461
14	01643-30823	WASHER	4	2001-2461
15	56B-03-21780	SHEET	2	2001-2461
16	56B-03-22210	SHEET	2	2001-2461
17	56B-03-22371	PLATE	1	2001-
18	01010-81025	BOLT	3	2001-
19	01643-31032	WASHER	3	2001-
20	56B-03-21730	SHEET	1	2001-
21	56B-03-21740	SHEET	1	2001-
22	56B-03-21750	SHEET	1	2001-
23	56B-03-22380	PLATE	1	2001-
24	01010-81025	BOLT	2	2001-
25	01643-31032	WASHER	2	2001-
26	56B-03-21710	SHEET	1	2001-
27	56B-03-22360	PLATE	1	2001-
28	01010-81025	BOLT	2	2001-
29	01643-31032	WASHER	2	2001-

HM400-2 S/N 2001-2632 (ecot3)
RADIATOR (BAFFLE)(#2001-)

Item	Part No.	Part Name	Qty	Serial No.
30	56B-03-21720	SHEET	1	2001-
31	56B-03-22560	SHEET	1	2001-
32	56B-03-22580	SHEET	2	2001-

HM400-2 S/N 2001-2632 (ecot3)
00048027



00048027

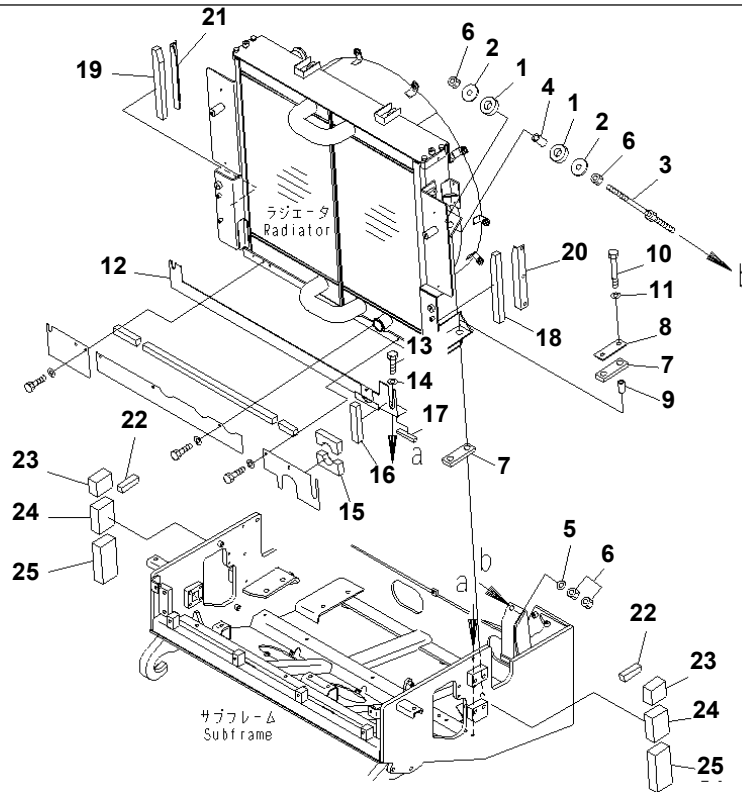
Ref. C0110-03A0

Page 060040

HM400-2 S/N 2001-2632 (ecot3)
RADIATOR (FAN NET)(#2001-)

Item	Part No.	Part Name	Qty	Serial No.
1	56B-03-21951	COVER	1	2001-
2	56B-03-21961	COVER	1	2001-
3	01010-81025	BOLT	7	2001-
4	01643-31032	WASHER	7	2001-
5	01010-81025	BOLT	2	2001-
6	01643-31032	WASHER	2	2001-
7	56D-02-22290	HOSE	2	2001-
8	569-02-82190	CLAMP	4	2116-
	07299-00105	CLAMP	4	2001-2115
9	569-02-82190	CLAMP	4	2116-
	07299-00105	CLAMP	4	2001-2115
10	56B-02-22231	BRACKET	1	2001-
11	01010-81030	BOLT	2	2001-
12	01643-31032	WASHER	2	2001-
13	56B-02-12241	BRACKET	1	2001-
14	01010-81030	BOLT	2	2001-
15	01643-31032	WASHER	2	2001-

HM400-2 S/N 2001-2632 (ecot3)
00048028



00048028

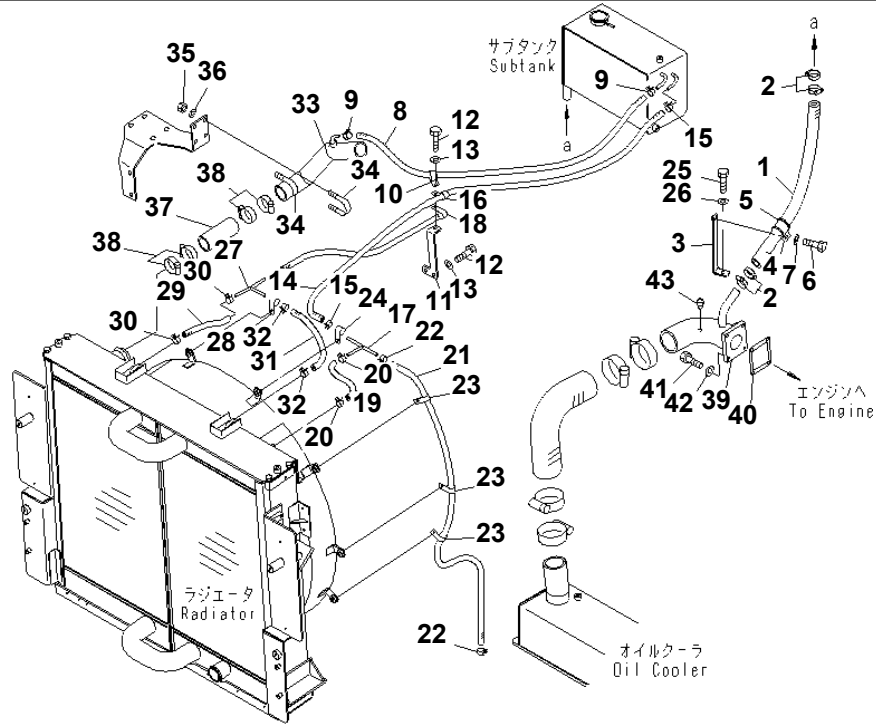
Ref. C0110-04A0

Page 060050

HM400-2 S/N 2001-2632 (ecot3)
RADIATOR (MOUNTING PARTS)(#2001-)

Item	Part No.	Part Name	Qty	Serial No.
1	285-03-11160	CUSHION	4	2001-
2	285-03-11170	PLATE	4	2001-
3	569-03-42340	ROD	2	2001-
4	566-03-42270	SPACER	2	2001-
5	01643-31645	WASHER	4	2001-
6	01582-11613	NUT	8	2001-
7	285-03-11120	CUSHION	4	2001-
8	285-03-11140	PLATE	2	2001-
9	285-03-11150	SPACER	4	2001-
10	01010-81695	BOLT	4	2001-
11	01643-31645	WASHER	4	2001-
12	56B-03-22350	BRACKET	1	2001-
13	01010-81025	BOLT	5	2001-
14	01643-31032	WASHER	5	2001-
15	56B-03-21720	SHEET	1	2001-
16	56B-03-22550	SHEET	1	2001-
17	56B-03-22570	SHEET	1	2001-
18	56B-03-22280	SHEET,L.H.	1	2001-
19	56B-03-22290	SHEET,R.H.	1	2001-
20	56B-03-22260	BRACKET,L.H.	1	2001-2461
21	56B-03-22270	BRACKET,R.H.	1	2001-2461
22	56B-03-22540	SHEET	2	2001-
23	56B-03-22510	SHEET	2	2001-
24	56B-03-22520	SHEET	2	2001-
25	56B-03-22530	SHEET	2	2001-

HM400-2 S/N 2001-2632 (ecot3)
00048029



00048029

Ref. C0120-01A0

Page 060060

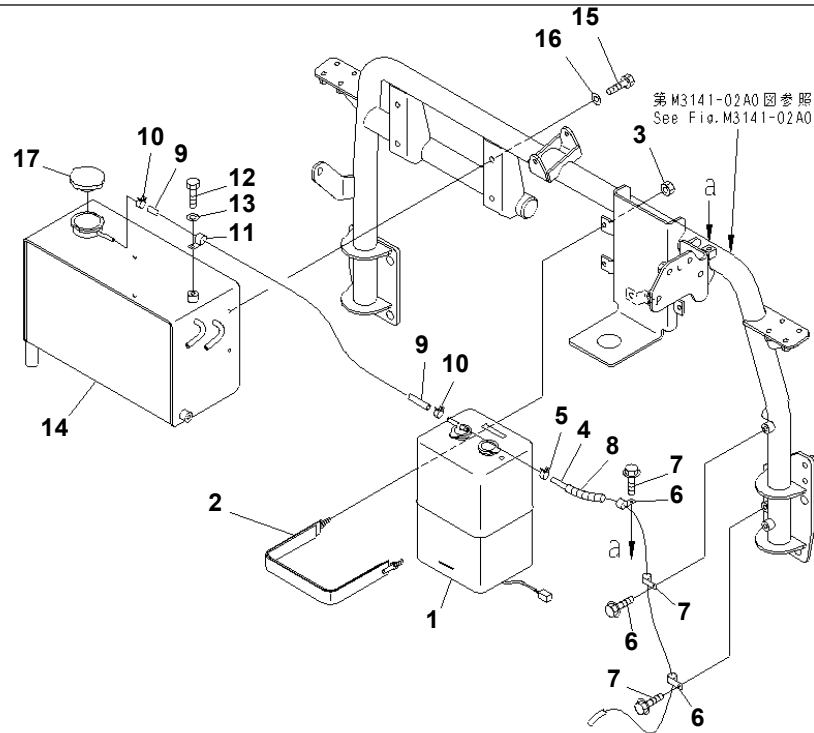
HM400-2 S/N 2001-2632 (ecot3)
COOLANT LINE(#2001-)

Item	Part No.	Part Name	Qty	Serial No.
1	56B-03-21990	HOSE	1	2001-
2	07281-10419	CLAMP	4	2001-
3	56B-03-21970	BRACKET	1	2001-2461
4	566-03-12620	CLAMP	1	2001-
5	20T-62-71831	CUSHION	1	2001-
6	01010-81020	BOLT	1	2462-
	01010-81020	BOLT	2	2001-2461
7	01643-31032	WASHER	1	2462-
	01643-31032	WASHER	2	2001-2461
8	09483-10308	HOSE	1	2001-
9	11Y-09-11140	CLIP	2	2001-
10	04434-51610	CLIP	1	2001-
11	56B-03-22410	BRACKET	1	2001-
12	01010-81020	BOLT	3	2001-
13	01643-31032	WASHER	3	2001-
14	09483-10311	HOSE	1	2001-
15	11Y-09-11140	CLIP	2	2001-
16	04434-51610	CLIP	1	2001-
17	427-03-12460	TUBE	1	2001-
18	04434-51610	CLIP	1	2001-
19	56B-03-21430	HOSE	1	2001-
20	11Y-09-11140	CLIP	2	2001-
21	09483-10313	HOSE	1	2001-
22	11Y-09-11140	CLIP	2	2001-
23	04434-51610	CLIP	3	2001-
24	04434-51610	CLIP	2	2001-
25	01010-81020	BOLT	1	2001-
26	01643-31032	WASHER	1	2001-
27	427-03-12460	TUBE	1	2001-

HM400-2 S/N 2001-2632 (ecot3)
COOLANT LINE(#2001-)

Item	Part No.	Part Name	Qty	Serial No.
28	04434-51610	CLIP	1	2001-
29	56B-03-21410	HOSE	1	2001-
30	11Y-09-11140	CLIP	2	2001-
31	56B-03-21420	HOSE	1	2001-
32	11Y-09-11140	CLIP	2	2001-
33	56B-03-21552	TUBE	1	2001-
34	07283-36155	CLIP	2	2001-
35	01597-01009	NUT	4	2001-
36	01643-31032	WASHER	4	2001-
37	56B-03-21470	HOSE	1	2001-
38	07299-00070	CLAMP	4	2001-
39	56B-03-21580	CONNECTOR	1	2001-
40	6212-61-6821	GASKET	1	2001-
41	01010-81035	BOLT	4	2001-
42	01643-31032	WASHER	4	2001-
43	07042-70108	PLUG	1	2001-

HM400-2 S/N 2001-2632 (ecot3)
00049700



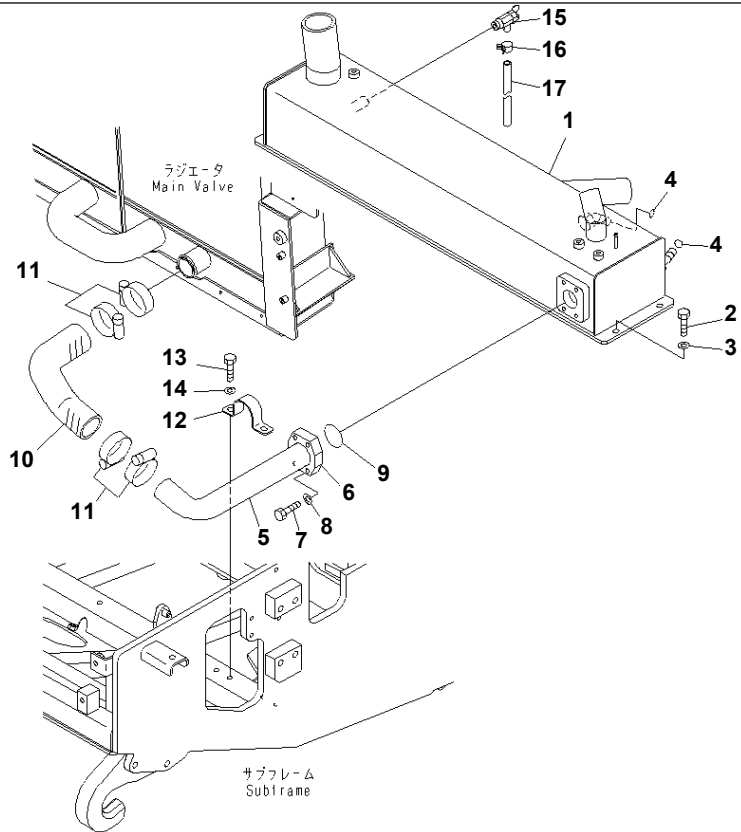
00049700

Ref. C0120-02A0

Page 060070

HM400-2 S/N 2001-2632 (ecot3)
COOLANT LINE (RESERVE TANK)(#2001-)

Item	Part No.	Part Name	Qty	Serial No.
1	56B-03-11911	TANK	1	2001-
	21N-03-32360	· CAP ASS'Y,WITH HOSE	1	2001-
	56B-03-11930	· CAP	1	2001-
2	56B-03-11740	BAND	1	2001-
3	01580-00806	NUT	2	2001-
4	418-03-21230	HOSE	1	2001-
5	11Y-09-11130	CLAMP	1	2001-
6	04434-51310	CLIP	3	2171-
	04434-51410	CLIP	3	2001-2170
7	01435-01016	BOLT	3	2001-
8	08210-00602	SPIRAL TUBE	1	2001-
9	56B-03-21440	HOSE	1	2001-
10	11Y-09-11130	CLAMP	2	2001-
11	04434-51310	CLIP	1	2171-
	04434-51610	CLIP	1	2001-2170
12	01010-81020	BOLT	1	2001-
13	01643-31032	WASHER	1	2001-
14	56B-03-21982	TANK	1	2455-
	56B-03-21981	TANK	1	2001-2454
15	01010-81020	BOLT	4	2001-
16	01643-31032	WASHER	4	2001-
17	569-03-81510	CAP	1	2001-



00049632

Ref. C0500-01A0

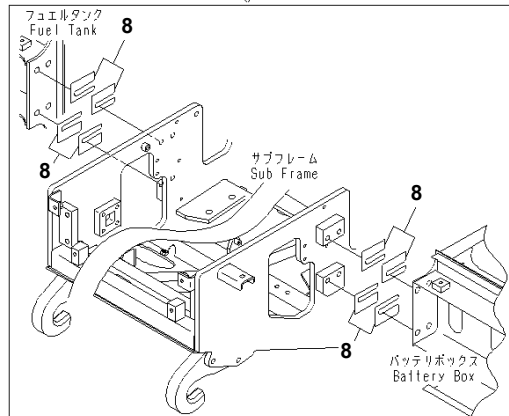
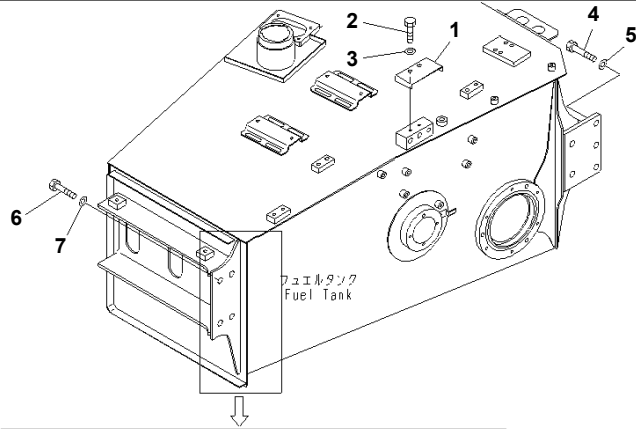
Page 060080

HM400-2 S/N 2001-2632 (ecot3)
BRAKE OIL COOLER(#2001-)

Item	Part No.	Part Name	Qty	Serial No.
1	56B-03-21502	OIL COOLER	1	2001-
2	01010-81030	BOLT	4	2001-
3	01643-31032	WASHER	4	2001-
4	207-62-64740	O-RING	2	2001-
5	56B-03-21511	TUBE	1	2001-
6	209-62-55281	FLANGE	1	2001-
7	01010-81245	BOLT	4	2001-
8	01643-51232	WASHER	4	2001-
9	07000-F2060	O-RING	1	2001-
10	56B-03-21520	HOSE	1	2001-
11	07299-00070	CLAMP	4	2001-
12	56B-03-21790	CLAMP	1	2001-
13	01010-81020	BOLT	2	2001-
14	01643-31032	WASHER	2	2001-
15	09482-20000	VALVE	1	2001-
16	11Y-09-11140	CLIP	1	2001-
17	07270-01535	TUBE	1	2001-

HM400-2 S/N 2001-2632 (ecot3)
FUEL TANK AND RELATED PARTS

Item	Part Name	Qty
10	FUEL TANK AND RELATED PARTS(#2001-)	1
20	FUEL TANK SUB ASS'Y (FUEL TANK AND RELATED PARTS)(#2001-2594)	1
30	FUEL TANK SUB ASS'Y (FUEL TANK AND RELATED PARTS)(#2595-)	1
40	FUEL TANK SUB ASS'Y (FUEL TANK AND RELATED PARTS) (FOR QUICK CHARGE)(#2001-2594)	1
50	FUEL TANK SUB ASS'Y (FUEL TANK AND RELATED PARTS) (FOR QUICK CHARGE)(#2595-)	1
60	FUEL TANK SUB ASS'Y (FUEL TANK AND RELATED PARTS) (SAND PROTECTION SPEC.)(#2001-2594)	1
70	FUEL TANK SUB ASS'Y (FUEL TANK AND RELATED PARTS) (SAND PROTECTION SPEC.)(#2595-)	1
80	FUEL TANK SUB ASS'Y (AIR CLEANER AND PIPING)(#2001-)	1
90	FUEL TANK SUB ASS'Y (AIR CLEANER AND PIPING) (FOR QUICK CHARGE)(#2001-)	1
100	FUEL TANK SUB ASS'Y (AIR CLEANER AND PIPING) (FOR QUICK CHARGE) (TROPICAL SPEC.)(#2001-)	1
110	FUEL TANK SUB ASS'Y (AIR CLEANER AND PIPING) (TROPICAL SPEC.)(#2001-)	1
120	FUEL TANK SUB ASS'Y (QUICK CHARGE RELATED PARTS)(#2001-)	1
130	FUEL TANK SUB ASS'Y (HAND RAIL AND BOX)(#2001-)	1
140	AIR CLEANER (INNER PARTS)(#2001-)	1
150	FUEL LINE(#2001-)	1
160	FUEL TANK BREATHER(#2001-)	1



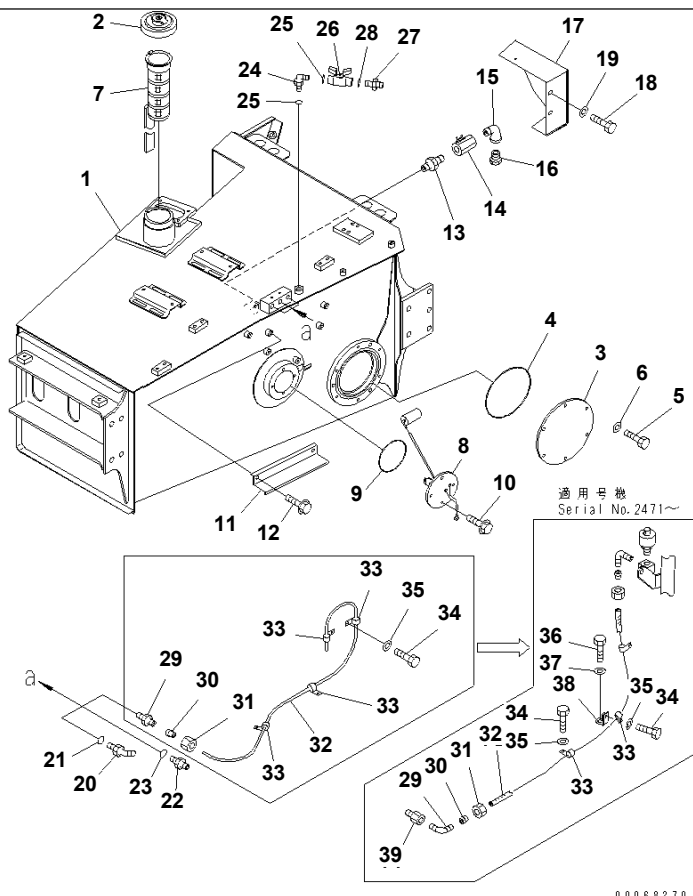
通用号機
Serial No. 2123~

00063368

HM400-2 S/N 2001-2632 (ecot3)
FUEL TANK AND RELATED PARTS(#2001-)

Item	Part No.	Part Name	Qty	Serial No.
1	566-04-13270	COVER	1	2001-
2	01010-81020	BOLT	2	2001-
3	01643-31032	WASHER	2	2001-
4	01010-81650	BOLT	5	2001-
5	01643-31645	WASHER	5	2001-
6	01010-81640	BOLT	4	2001-
7	01643-31645	WASHER	4	2001-
8	56B-54-21860	PLATE	16	2123-

HM400-2 S/N 2001-2632 (ecot3)
00068270



Ref. D0150-01A0

Page 090020

HM400-2 S/N 2001-2632 (ecot3)
FUEL TANK SUB ASS'Y (FUEL TANK AND RELATED PARTS)(#2001-2594)

Item	Part No.	Part Name	Qty	Serial No.
	56B-04-21102	SUB TANK ASS'Y	1	2105-2594
	56B-04-21101	SUB TANK ASS'Y	1	2001-2104
1	56B-04-21114	・ TANK	1	2105-2594
	56B-04-21113	・ TANK	1	2001-2104
2	423-04-11362	・ CAP	1	2471-@
	□20Y-04-11160	・ CAP	1	2001-2470
	20Y-04-11240	・ ・ PACKING	1	2001-@
3	428-04-11120	・ COVER	1	2001-@
4	07000-15200	・ O-RING	1	2001-@
5	01010-81025	・ BOLT	6	2001-@
6	01643-31032	・ WASHER	6	2001-@
7	22U-04-21241	STRAINER ASS'Y	1	2001-@
8	7861-93-4930	SENSOR,FUEL LEVEL	1	2001-@
9	07000-12085	O-RING	1	2001-@
10	01435-01016	BOLT	4	2001-@
11	56B-04-11160	BRACKET	1	2001-@
12	01435-01016	BOLT	2	2001-@
13	07325-00200	NIPPLE	1	2001-@
14	363-04-11130	VALVE	1	2001-@
15	281-43-18250	ELBOW	1	2001-@
16	56B-04-11190	ADAPTER	1	2001-@
17	56B-04-21510	COVER	1	2001-@
18	01010-81020	BOLT	3	2001-@
19	01643-31032	WASHER	3	2001-@
20	21W-62-43390	ELBOW	1	2001-@
21	07002-11823	O-RING	1	2001-@
22	02781-00313	UNION	1	2001-@
23	07002-11823	O-RING	1	2001-@
24	14X-04-21630	ELBOW	1	2001-@

HM400-2 S/N 2001-2632 (ecot3)

FUEL TANK SUB ASS'Y (FUEL TANK AND RELATED PARTS)(#2001-2594)

Item	Part No.	Part Name	Qty	Serial No.
25	07002-12034	O-RING	2	2001-@
26	561-04-82121	VALVE	1	2001-@
27	02781-00516	UNION	1	2001-@
28	07002-12034	O-RING	1	2001-@
29	07834-00817	ELBOW	1	2471-@
	<input type="checkbox"/> 07836-00617	CONNECTOR	1	2001-2470
30	07831-00813	SLEEVE	1	2471-@
	<input type="checkbox"/> 07831-00612	SLEEVE	1	2001-2470
31	07832-00817	NUT	1	2471-@
	<input type="checkbox"/> 07832-00614	NUT	1	2001-2470
32	07822-00810	TUBE	1	2471-@
	<input type="checkbox"/> 07822-00612	TUBE	1	2001-2470
33	04434-51310	CLIP	2	2471-@
	<input type="checkbox"/> 04434-51010	CLIP	4	2001-2470
34	01010-81020	BOLT	2	2471-@
	<input type="checkbox"/> 01010-81020	BOLT	4	2001-2470
35	01643-31032	WASHER	2	2471-@
	<input type="checkbox"/> 01643-31032	WASHER	4	2001-2470
36	01010-81016	BOLT	1	2471-@
37	01643-31032	WASHER	1	2471-@
38	569-54-63440	BRACKET	1	2471-@
39	582-01-12910	NIPPLE	1	2471-@



Download the full PDF manual instantly.

Our customer service e-mail:

aservicemanualpdf@yahoo.com