

HM400-1L S/N A10001-UP
HM400_1L S/N A10001-UP

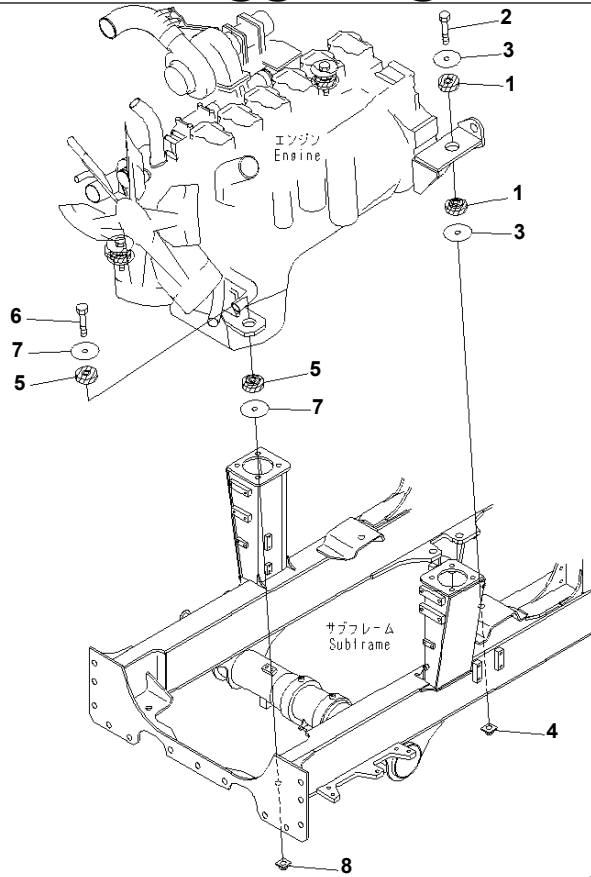
Item	Description	Book	Page
	SAA6D140E-3B S/N .-UP	saa6d00e	
B0	ENGINE RELATED PARTS		030000
C0	COOLING SYSTEM		060000
D0	FUEL TANK AND RELATED PARTS		090000
E0	ELECTRICAL SYSTEM		120000
F0	TORQUE CONVERTER AND TRANSMISSION		150000
H0	HYDRAULIC SYSTEM		180000
J0	MAIN FRAME AND RELATED PARTS		210000
K0	OPERATOR'S COMPARTMENT AND CONTROL SYSTEM		240000
L0	PLATFORM AND RELATED PARTS		270000
M0	GUARD		300000
S0	RIM AND TIRE		330000
T0	BODY		360000
U0	MARKS AND PLATES		390000
V0	TOOL		420000
Y0	SERVICE KIT AND COMPONENT PARTS		450000

**HM400-1L S/N A10001-UP
ENGINE RELATED PARTS**

Item	Description	Qty	Page
10	ENGINE MOUNTING	1	030010
20	ENGINE HOSE	1	030020
30	ENGINE PIPING (AIR INTAKE AND EXHAUST)	1	030030
40	ENGINE PIPING (AIR INTAKE AND EXHAUST) (WITH EXHAUST BRAKE)	1	030040
50	AIR CLEANER (PIPING)	1	030050
60	AIR CLEANER (PIPING) (WITH HEATER)	1	030060
70	AIR CLEANER (INNER PARTS)	1	030070
80	ENGINE HARNESS	1	030080
90	ENGINE DAMPER	1	030090
100	AFTERCOOLER	1	030100
110	ENGINE CONTROLLER	1	030110

HM400-1L S/N A10001-UP

@@2B247@



P W 2 B 2 4 7

Ref. B0100-01A0

Page 030010

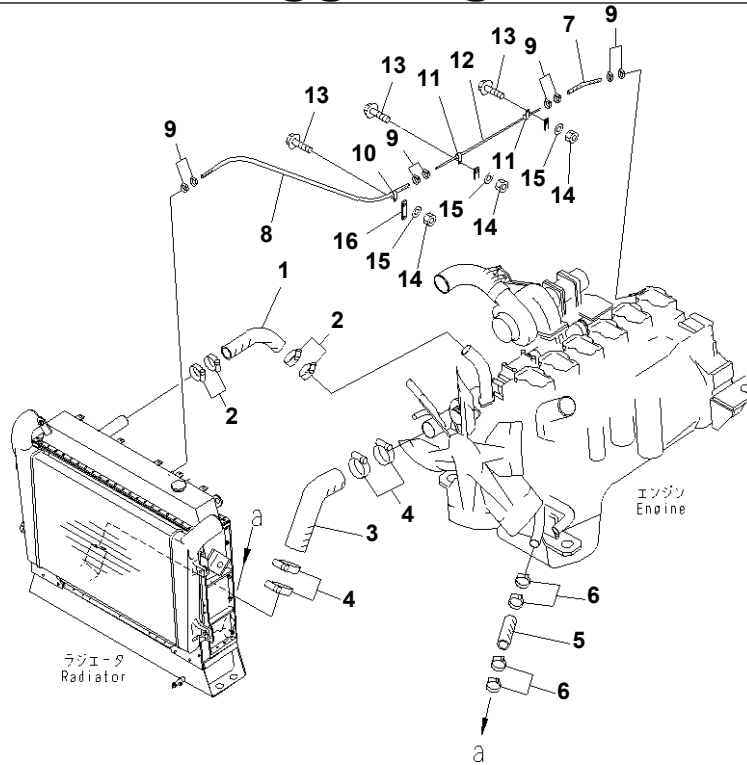
HM400-1L S/N A10001-UP
ENGINE MOUNTING

Item	Part No.	Description	Qty	Options
1	425-01-11350	CUSHION	4	SN:A10001--,KIT-FLAG:_
2	01011-62225	BOLT	2	SN:A10001--,KIT-FLAG:_
3	424-01-11220	WASHER	4	SN:A10001--,KIT-FLAG:_
4	425-01-11250	PLATE	2	SN:A10001--,KIT-FLAG:_
5	425-01-11370	CUSHION	4	SN:A10001--,KIT-FLAG:_
6	01011-62225	BOLT	2	SN:A10001--,KIT-FLAG:_
7	424-01-11220	WASHER	4	SN:A10001--,KIT-FLAG:_
8	425-01-11250	PLATE	2	SN:A10001--,KIT-FLAG:_

Ref. B0100-01A0

Page 030010

HM400-1L S/N A10001-UP
 @@2C814@



PJ2C814

Ref. B0110-01A0

Page 030020

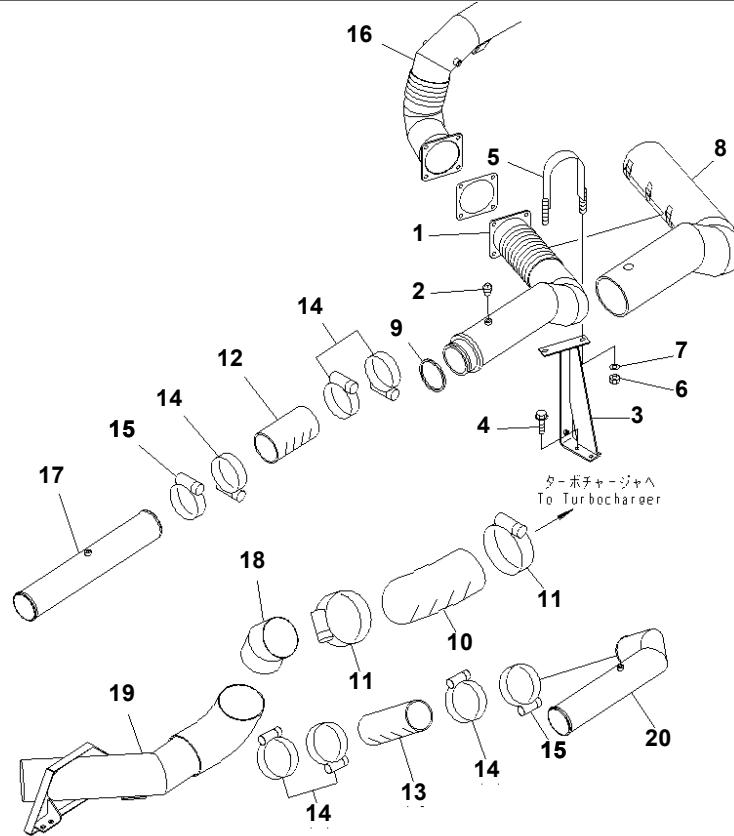
HM400-1L S/N A10001-UP
 ENGINE HOSE

Item	Part No.	Description	Qty	Options
1	56B-03-11612	HOSE	1	SN:A10001--,KIT-FLAG:_
2	07299-00070	CLAMP	4	SN:A10001--,KIT-FLAG:_
3	56B-03-11621	HOSE	1	SN:A10001--,KIT-FLAG:_
4	07299-00105	CLAMP	4	SN:A10001--,KIT-FLAG:_
5	07260-24722	HOSE	1	SN:A10001--,KIT-FLAG:_
6	07299-00055	CLAMP	4	SN:A10001--,KIT-FLAG:_
7	09483-40302	HOSE	1	SN:A10001--,KIT-FLAG:_
8	09483-40312	HOSE	1	SN:A10001--,KIT-FLAG:_
9	07281-10197	CLAMP	8	SN:A10001--,KIT-FLAG:_
10	04434-51710	CLIP	1	SN:A10001--,KIT-FLAG:_
11	04434-51010	CLIP	2	SN:A10001--,KIT-FLAG:_
12	56B-03-11750	TUBE	1	SN:A10001--,KIT-FLAG:_
13	01435-01020	BOLT	3	SN:A10001--,KIT-FLAG:_
14	01580-01008	NUT	3	SN:A10001--,KIT-FLAG:_
15	01643-31032	WASHER	3	SN:A10001--,KIT-FLAG:_
16	56B-03-11920	PLATE	1	SN:A10001--,KIT-FLAG:_

Ref. B0110-01A0

Page 030020

HM400-1L S/N A10001-UP
00083006



00083006

Ref. B0130-01A0

Page 030030

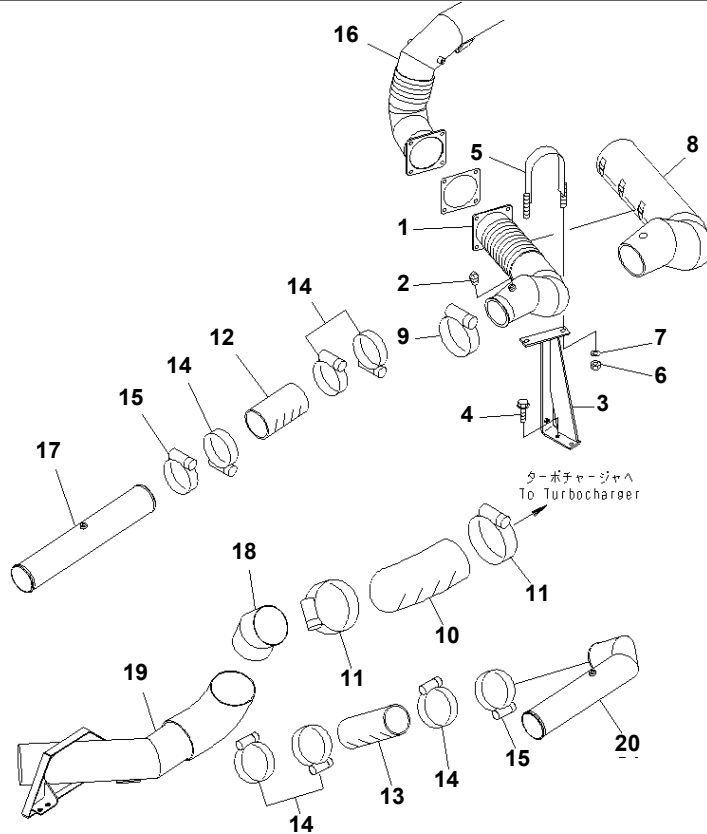
HM400-1L S/N A10001-UP
ENGINE PIPING (AIR INTAKE AND EXHAUST)

Item	Part No.	Description	Qty	Options
1	56B-02-11712	TUBE	1	SN:A10001--,KIT-FLAG:_
2	07042-20108	PLUG	1	SN:A10001--,KIT-FLAG:_
3	56B-02-11122	BRACKET	1	SN:A10001--,KIT-FLAG:_
4	01435-01020	BOLT	2	SN:A10001--,KIT-FLAG:_
5	56B-02-21810	CLAMP	1	SN:A10001--,KIT-FLAG:_
6	01580-11008	NUT	2	SN:A10001--,KIT-FLAG:_
7	01643-31032	WASHER	2	SN:A10001--,KIT-FLAG:_
8	56B-02-11723	COVER	1	SN:A10001--,KIT-FLAG:_
9	566-02-81160	RING	2	SN:A10001--,KIT-FLAG:_
10	568-02-22240	ELBOW	1	SN:A10001--,KIT-FLAG:_
11	07289-00160	CLAMP	2	SN:A10001--,KIT-FLAG:_
12	566-02-6E141	HOSE	1	SN:A10001--,KIT-FLAG:_
13	566-02-6E141	HOSE	1	SN:A10001--,KIT-FLAG:_
14	07299-00105	CLAMP	6	SN:A10001--,KIT-FLAG:_
15	569-02-82190	CLAMP	2	SN:A10001--,KIT-FLAG:_
16		TUBE,(SEE FIG. J3510-01A0)		SN:A10001--,KIT-FLAG:_
17		TUBE,(SEE FIG. J3410-01A0)		SN:A10001--,KIT-FLAG:_
18		TUBE,(SEE FIG. J3410-01A0)		SN:A10001--,KIT-FLAG:_
19		TUBE,(SEE FIG. B0130-02A0)		SN:A10001--,KIT-FLAG:_
20		TUBE,(SEE FIG. J3410-01A0)		SN:A10001--,KIT-FLAG:_

Ref. B0130-01A0

Page 030030

HM400-1L S/N A10001-UP
00083007



00083007

Ref. B0130-01A1

Page 030040

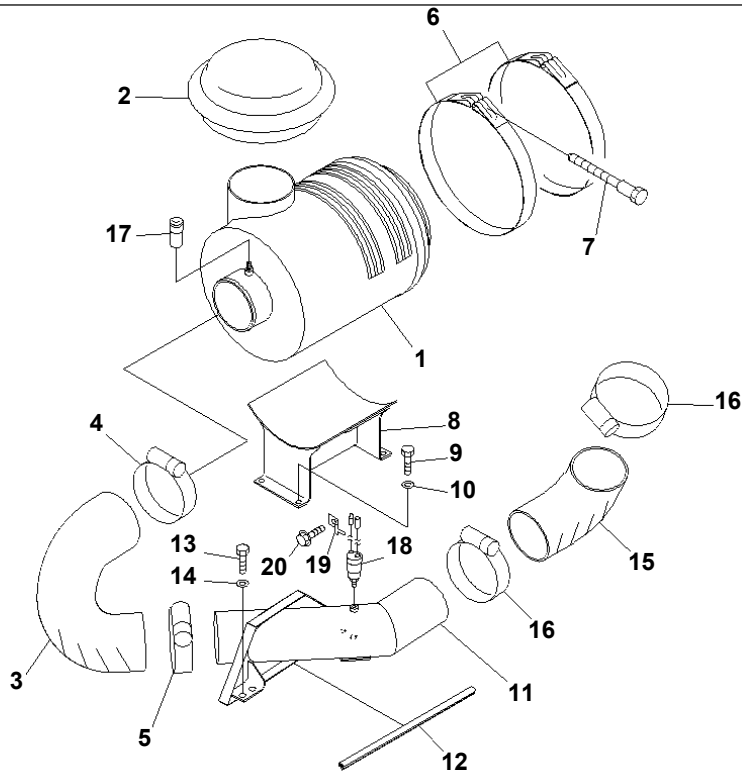
HM400-1L S/N A10001-UP
ENGINE PIPING (AIR INTAKE AND EXHAUST) (WITH EXHAUST BRAKE)

Item	Part No.	Description	Qty	Options
1	56B-02-11611	TUBE	1	SN:A10001--,KIT-FLAG:_
2	07042-20108	PLUG	1	SN:A10001--,KIT-FLAG:_
3	56B-02-11122	BRACKET	1	SN:A10001--,KIT-FLAG:_
4	01435-01020	BOLT	2	SN:A10001--,KIT-FLAG:_
5	56B-02-21810	CLAMP	1	SN:A10001--,KIT-FLAG:_
6	01580-11008	NUT	4	SN:A10001--,KIT-FLAG:_
7	01643-31032	WASHER	2	SN:A10001--,KIT-FLAG:_
8	56B-02-11133	COVER	1	SN:A10001--,KIT-FLAG:_
9	6151-11-5361	CLAMP	1	SN:A10001--,KIT-FLAG:_
10	568-02-22240	ELBOW	1	SN:A10001--,KIT-FLAG:_
11	07289-00160	CLAMP	2	SN:A10001--,KIT-FLAG:_
12	566-02-6E141	HOSE	1	SN:A10001--,KIT-FLAG:_
13	566-02-6E141	HOSE	1	SN:A10001--,KIT-FLAG:_
14	07299-00105	CLAMP	6	SN:A10001--,KIT-FLAG:_
15	07299-00105	CLAMP	2	SN:A10001--,KIT-FLAG:_
16		TUBE,(SEE FIG. J3510-01A0) TUBE,(SEE FIG. J3510-01A1)		SN:A10001--,KIT-FLAG:_
17		TUBE,(SEE FIG. J3410-01A0)		SN:A10001--,KIT-FLAG:_
18		TUBE,(SEE FIG. J3410-01A0)		SN:A10001--,KIT-FLAG:_
19		TUBE,(SEE FIG. B0130-02A0) TUBE,(SEE FIG. B0130-02A1) W/HEATER		SN:A10001--,KIT-FLAG:_
20		TUBE,(SEE FIG. J3410-01A0)		SN:A10001--,KIT-FLAG:_

Ref. B0130-01A1

Page 030040

**HM400-1L S/N A10001-UP
00083008**



00083008

Ref. B0130-02A0

Page 030050

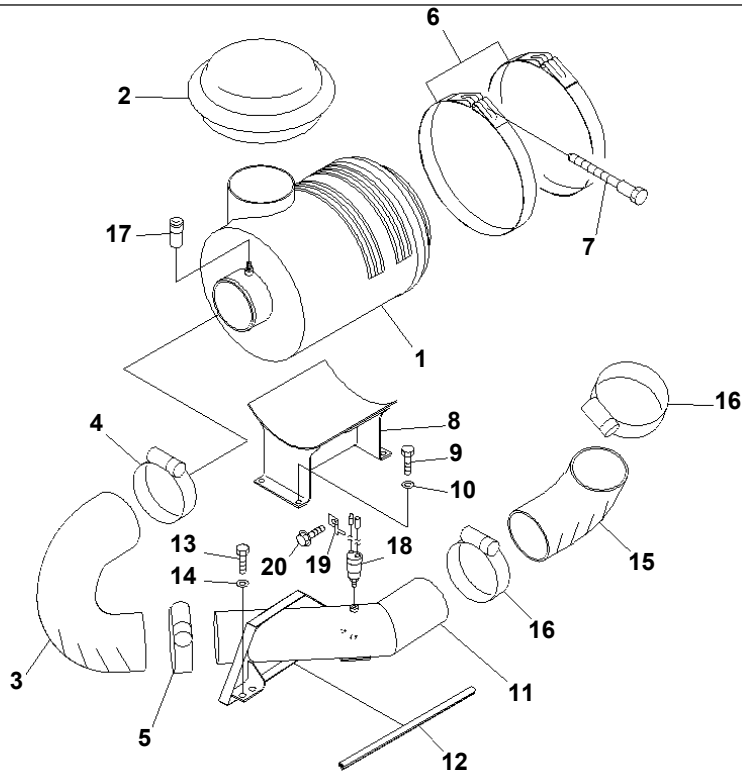
**HM400-1L S/N A10001-UP
AIR CLEANER (PIPING)**

Item	Part No.	Description	Qty	Options
1		AIR CLEANER ASS'Y,(SEE FIG. B0130-51A0)		SN:A10001--,KIT-FLAG:_
2	600-181-3960	CAP	1	SN:A10001--,KIT-FLAG:_
3	56B-02-12121	HOSE	1	SN:A10001--,KIT-FLAG:_
4	07289-00170	CLAMP	1	SN:A10001--,KIT-FLAG:_
5	07289-00160	CLAMP	1	SN:A10001--,KIT-FLAG:_
6	6151-11-9970	BAND ASS'Y	2	SN:A10001--,KIT-FLAG:_
7	6643-11-4641	BOLT	2	SN:A10001--,KIT-FLAG:_
8	56B-02-12113	BRACKET	1	SN:A10001--,KIT-FLAG:_
9	01010-81225	BOLT	4	SN:A10001--,KIT-FLAG:_
10	01643-31232	WASHER	4	SN:A10001--,KIT-FLAG:_
11	56B-02-12132	TUBE	1	SN:A10001--,KIT-FLAG:_
12	56B-02-12150	SEAL	1	SN:A10001--,KIT-FLAG:_
13	01010-81225	BOLT	4	SN:A10001--,KIT-FLAG:_
14	01643-31232	WASHER	4	SN:A10001--,KIT-FLAG:_
15	568-02-22240	ELBOW	1	SN:A10001--,KIT-FLAG:_
16	07289-00160	CLAMP	3	SN:A10001--,KIT-FLAG:_
17	56B-02-12310	INDICATOR	1	SN:A10001--,KIT-FLAG:_
18	600-815-8860	INDICATOR,AIR CLEANER	1	SN:A10001--,KIT-FLAG:_
19	08193-21012	CLIP	1	SN:A10001--,KIT-FLAG:_
20	01435-01016	BOLT	1	SN:A10001--,KIT-FLAG:_

Ref. B0130-02A0

Page 030050

**HM400-1L S/N A10001-UP
00083008**



00083008

Ref. B0130-02A1

Page 030060

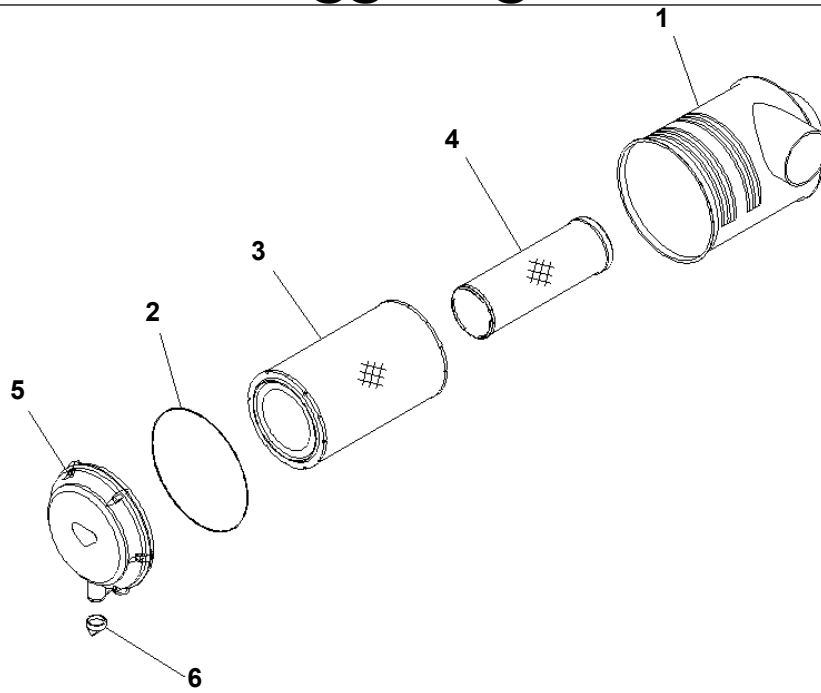
**HM400-1L S/N A10001-UP
AIR CLEANER (PIPING) (WITH HEATER)**

Item	Part No.	Description	Qty	Options
1		AIR CLEANER ASS'Y,(SEE FIG. B0130-51A0)		SN:A10001--,KIT-FLAG:_
2	600-181-3960	CAP	1	SN:A10001--,KIT-FLAG:_
3	56B-02-12121	HOSE	1	SN:A10001--,KIT-FLAG:_
4	07289-00170	CLAMP	1	SN:A10001--,KIT-FLAG:_
5	07289-00160	CLAMP	1	SN:A10001--,KIT-FLAG:_
6	6151-11-9970	BAND ASS'Y	2	SN:A10001--,KIT-FLAG:_
7	6643-11-4641	BOLT	2	SN:A10001--,KIT-FLAG:_
8	56B-02-12113	BRACKET	1	SN:A10001--,KIT-FLAG:_
9	01010-81225	BOLT	4	SN:A10001--,KIT-FLAG:_
10	01643-31232	WASHER	4	SN:A10001--,KIT-FLAG:_
11	56B-84-11920	TUBE	1	SN:A10001--,KIT-FLAG:_
12	56B-02-12150	SEAL	1	SN:A10001--,KIT-FLAG:_
13	01010-81225	BOLT	4	SN:A10001--,KIT-FLAG:_
14	01643-31232	WASHER	4	SN:A10001--,KIT-FLAG:_
15	568-02-22240	ELBOW	1	SN:A10001--,KIT-FLAG:_
16	07289-00160	CLAMP	3	SN:A10001--,KIT-FLAG:_
17	56B-02-12310	INDICATOR	1	SN:A10001--,KIT-FLAG:_
18	600-815-8860	INDICATOR,AIR CLEANER	1	SN:A10001--,KIT-FLAG:_
19	08193-21012	CLIP	1	SN:A10001--,KIT-FLAG:_
20	01435-01016	BOLT	1	SN:A10001--,KIT-FLAG:_

Ref. B0130-02A1

Page 030060

HM400-1L S/N A10001-UP
 @@6C601@



PJ6C601

Ref. B0130-51A0

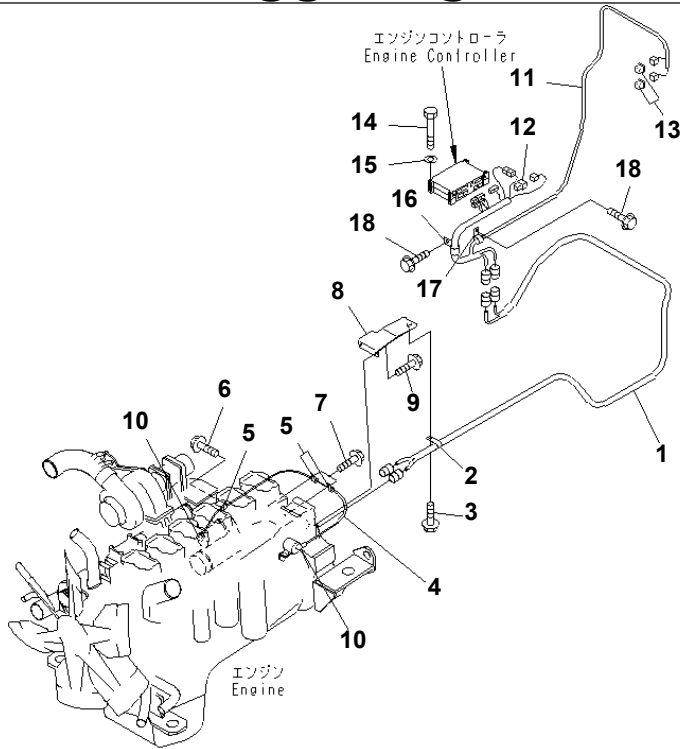
Page 030070

HM400-1L S/N A10001-UP
 AIR CLEANER (INNER PARTS)

Item	Part No.	Description	Qty	Options
1	6217-81-7102	AIR CLEANER ASS'Y	2	SN:A10001--,KIT-FLAG:_
	6217-81-7112	· BODY	1	SN:A10001--,KIT-FLAG:_
	600-185-6100	· ELEMENT ASS'Y	1	SN:A10001--,KIT-FLAG:_
2	600-184-1671	· · O-RING	1	SN:A10001--,KIT-FLAG:_
3	☆	· · ELEMENT, OUTER	1	SN:A10001--,KIT-FLAG:_
4	☆	· · ELEMENT, INNER	1	SN:A10001--,KIT-FLAG:_
5	600-184-1610	· COVER ASS'Y	1	SN:A10001--,KIT-FLAG:_
6	600-814-1350	· VALVE, VAQUATOR	1	SN:A10001--,KIT-FLAG:_

Ref. B0130-51A0

Page 030070

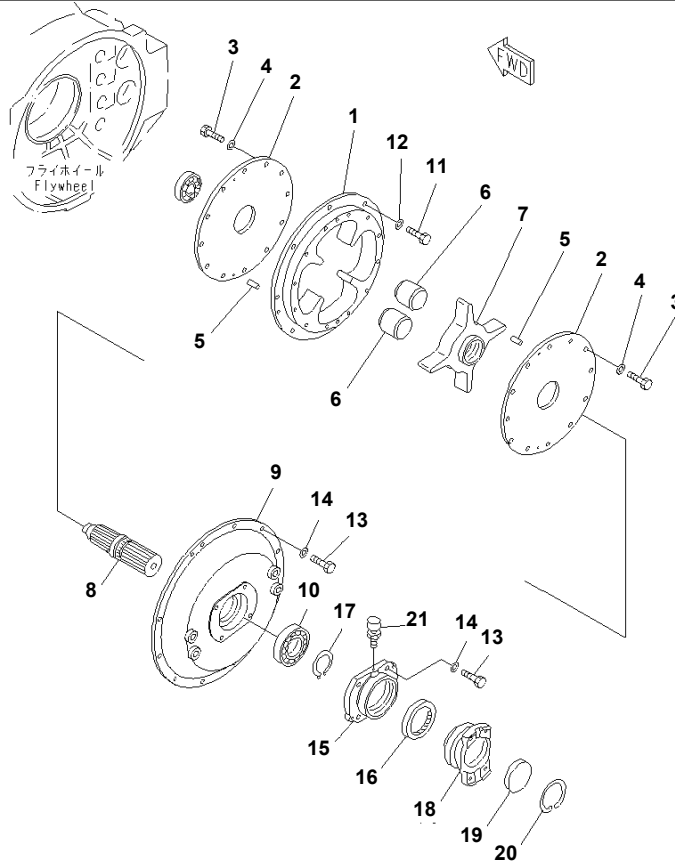


P W 2 B 2 5 0

HM400-1L S/N A10001-UP
ENGINE HARNESS

Item	Part No.	Description	Qty	Options
1	56B-06-11461	WIRING HARNESS,ENGINE	1	SN:A10001--,KIT-FLAG:_
2	08036-03014	CLIP	1	SN:A10001--,KIT-FLAG:_
3	01435-01016	BOLT	1	SN:A10001--,KIT-FLAG:_
4	56B-06-14530	CABLE,RIBBON HEATER	1	SN:A10001--,KIT-FLAG:_
5	08036-00814	CLIP	3	SN:A10001--,KIT-FLAG:_
6	01435-01016	BOLT	1	SN:A10001--,KIT-FLAG:_
7	01435-01020	BOLT	2	SN:A10001--,KIT-FLAG:_
8	56B-06-11140	BRACKET	1	SN:A10001--,KIT-FLAG:_
9	01436-01020	BOLT	2	SN:A10001--,KIT-FLAG:_
10	08038-02027	CAP	2	SN:A10001--,KIT-FLAG:_
11	56B-06-16441	WIRING HARNESS,CAB	1	SN:A10001--,KIT-FLAG:_
12	56B-06-16450	CONNECTOR	1	SN:A10001--,KIT-FLAG:_
13	569-06-61960	RELAY	2	SN:A10001--,KIT-FLAG:_
14	01010-80885	BOLT	4	SN:A10001--,KIT-FLAG:_
15	01643-30823	WASHER	4	SN:A10001--,KIT-FLAG:_
16	08036-03014	CLIP	1	SN:A10001--,KIT-FLAG:_
17	08036-00814	CLIP	1	SN:A10001--,KIT-FLAG:_
18	01435-01016	BOLT	2	SN:A10001--,KIT-FLAG:_

HM400-1L S/N A10001-UP
00083009



00083009

Ref. B0600-01A0

Page 030090

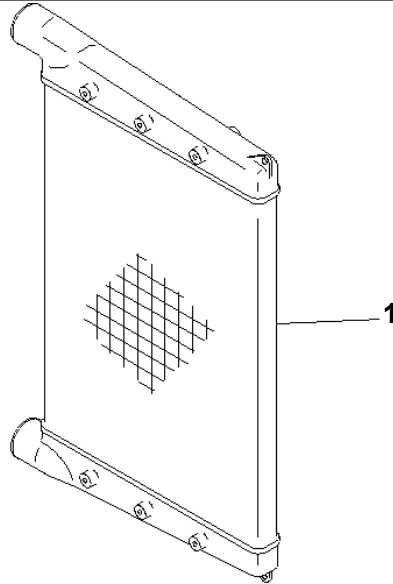
HM400-1L S/N A10001-UP
ENGINE DAMPER

Item	Part No.	Description	Qty	Options
1	566-01-72140	BODY, OUTER	1	SN:A10001--,KIT-FLAG:_
2	566-01-22161	FLANGE	2	SN:A10001--,KIT-FLAG:_
3	01010-61030	BOLT	24	SN:A10001--,KIT-FLAG:_
4	01643-31032	WASHER	24	SN:A10001--,KIT-FLAG:_
5	04020-00820	PIN, DOWEL	4	SN:A10001--,KIT-FLAG:_
6	287-01-12180	CUSHION	8	SN:A10001--,KIT-FLAG:_
7	566-01-72150	BODY, INNER	1	SN:A10001--,KIT-FLAG:_
8	566-01-72210	SHAFT	1	SN:A10001--,KIT-FLAG:_
9	56B-01-12111	COVER	1	SN:A10001--,KIT-FLAG:_
10	06040-06213	BEARING	1	SN:A10001--,KIT-FLAG:_
11	01010-61230	BOLT	8	SN:A10001--,KIT-FLAG:_
12	01643-31232	WASHER	8	SN:A10001--,KIT-FLAG:_
13	01010-61235	BOLT	16	SN:A10001--,KIT-FLAG:_
14	01643-31232	WASHER	16	SN:A10001--,KIT-FLAG:_
15	56B-01-12120	COVER	1	SN:A10001--,KIT-FLAG:_
16	566-01-22912	SEAL	1	SN:A10001--,KIT-FLAG:_
17	04064-06525	RING, SNAP	1	SN:A10001--,KIT-FLAG:_
	56B-01-12710	COUPLING ASS'Y	1	SN:A10001--,KIT-FLAG:_
18	56B-01-12720	· COUPLING	1	SN:A10001--,KIT-FLAG:_
19	569-01-62790	· CAP	1	SN:A10001--,KIT-FLAG:_
20	04065-09530	· RING, SNAP	1	SN:A10001--,KIT-FLAG:_
21	07030-01030	BREATHER	1	SN:A10001--,KIT-FLAG:_

Ref. B0600-01A0

Page 030090

HM400-1L S/N A10001-UP
@@D0636@



PDD0636

Ref. B9999-A4G2

Page 030100

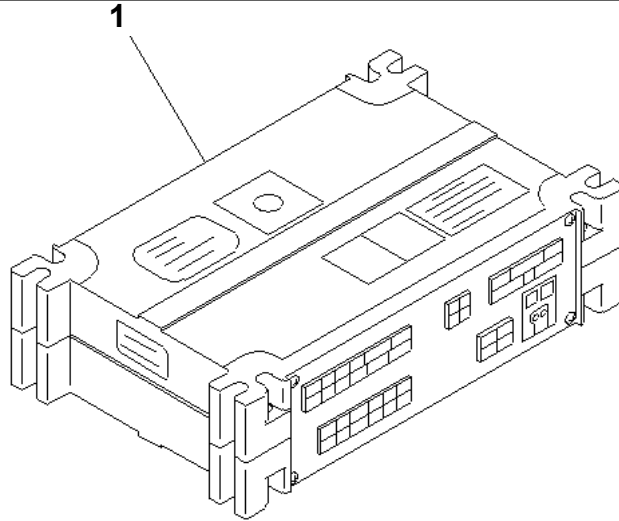
HM400-1L S/N A10001-UP
AFTERCOOLER

Item	Part No.	Description	Qty	Options
1	6212-62-4200	AFTERCOOLER ASS'Y	1	SN:A10001--,KIT-FLAG:_

Ref. B9999-A4G2

Page 030100

HM400-1L S/N A10001-UP
 @@6B805@



PJ6B805

Ref. B9999-A4P1

Page 030110

HM400-1L S/N A10001-UP
 ENGINE CONTROLLER

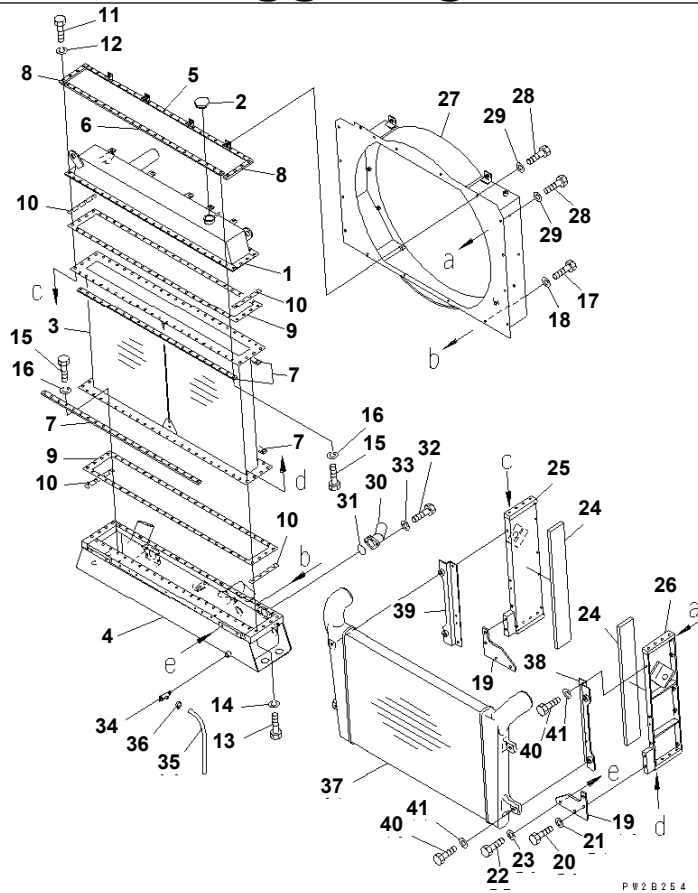
Item	Part No.	Description	Qty	Options
1	7872-10-2104	CONTROLLER	1	SN:A10001--,KIT-FLAG:_

Ref. B9999-A4P1

Page 030110

**HM400-1L S/N A10001-UP
COOLING SYSTEM**

Item	Description	Qty	Page
10	RADIATOR AND AFTER COOLER	1	060010
20	RADIATOR (BAFFLE AND FAN NET)	1	060020
30	RADIATOR (BRAKE COOLING PIPING)	1	060030
40	RADIATOR (AIR CONDITIONER CONDENSER AND MOUNTING PARTS)	1	060040
50	RADIATOR (AIR INTAKE PIPING)	1	060050
60	RADIATOR (MOUNTING PARTS)	1	060060
70	RADIATOR (RESERVE TANK AND PIPING)	1	060070
80	RADIATOR (BAFFLE)	1	060080
90	RADIATOR (RESERVE TANK COOLANT LINE)	1	060090



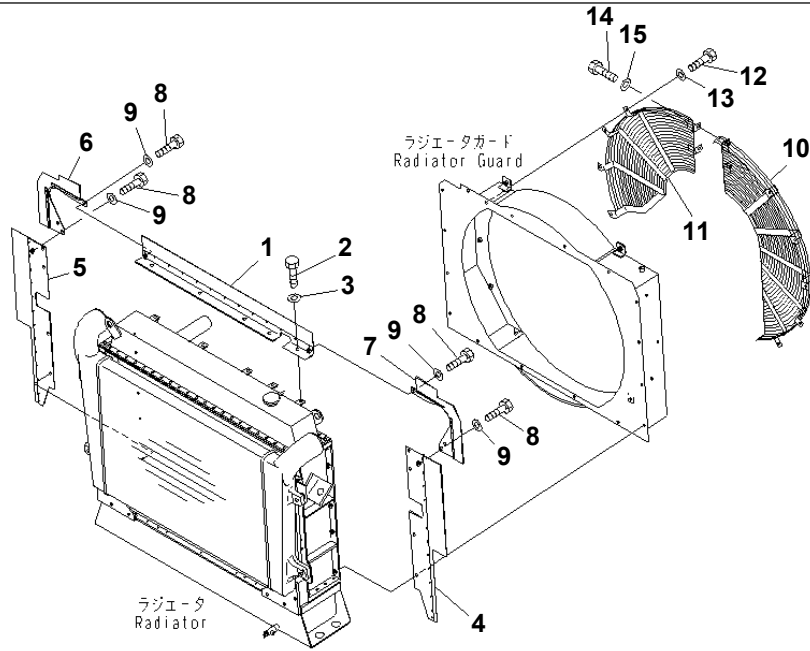
HM400-1L S/N A10001-UP
RADIATOR AND AFTER COOLER

Item	Part No.	Description	Qty	Options
	56B-03-11101	RADIATOR ASS'Y	1	SN:A10001--,KIT-FLAG:_
	56B-03-11201	· RADIATOR ASS'Y	1	SN:A10001--,KIT-FLAG:_
1	56B-03-11110	· · TANK,UPPER	1	SN:A10001--,KIT-FLAG:_
2	566-03-6A510	· · CAP	1	SN:A10001--,KIT-FLAG:_
3	56B-03-11120	· · CORE	1	SN:A10001--,KIT-FLAG:_
4	56B-03-11311	· · TANK,LOWER	1	SN:A10001--,KIT-FLAG:_
5	56B-03-11340	· · PLATE	1	SN:A10001--,KIT-FLAG:_
6	56B-03-11350	· · PLATE	1	SN:A10001--,KIT-FLAG:_
7	56B-03-11450	· · PLATE	4	SN:A10001--,KIT-FLAG:_
8	566-03-6A330	· · PLATE	2	SN:A10001--,KIT-FLAG:_
9	56B-03-11320	· · GASKET	2	SN:A10001--,KIT-FLAG:_
10	566-03-41160	· · SHIM, 0.6MM	18	SN:A10001--,KIT-FLAG:_
11	01010-81245	· · BOLT	8	SN:A10001--,KIT-FLAG:_
12	01602-21236	· · WASHER,SPRING	8	SN:A10001--,KIT-FLAG:_
13	01010-81265	· · BOLT	8	SN:A10001--,KIT-FLAG:_
14	01602-21236	· · WASHER,SPRING	8	SN:A10001--,KIT-FLAG:_
15	01010-81030	· · BOLT	88	SN:A10001--,KIT-FLAG:_
16	01602-21030	· · WASHER,SPRING	88	SN:A10001--,KIT-FLAG:_
17	01010-81016	· · BOLT	4	SN:A10001--,KIT-FLAG:_
18	01643-31032	· · WASHER	4	SN:A10001--,KIT-FLAG:_
19	56B-03-11371	· · PLATE	2	SN:A10001--,KIT-FLAG:_
20	01010-81285	· · BOLT	6	SN:A10001--,KIT-FLAG:_
21	01643-31232	· · WASHER	6	SN:A10001--,KIT-FLAG:_
22	01010-81225	· · BOLT	4	SN:A10001--,KIT-FLAG:_
23	01643-31232	· · WASHER	4	SN:A10001--,KIT-FLAG:_
24	56B-03-11150	· · SEAT	2	SN:A10001--,KIT-FLAG:_
25	56B-03-11130	· · SUPPORT	1	SN:A10001--,KIT-FLAG:_

**HM400-1L S/N A10001-UP
RADIATOR AND AFTER COOLER**

Item	Part No.	Description	Qty	Options
26	56B-03-11140	· · SUPPORT	1	SN:A10001--,KIT-FLAG:_
27	56B-03-11160	· · SHROUD	1	SN:A10001--,KIT-FLAG:_
28	01010-81025	· · BOLT	14	SN:A10001--,KIT-FLAG:_
29	01643-31032	· · WASHER	14	SN:A10001--,KIT-FLAG:_
30	56B-03-11460	· · TUBE	1	SN:A10001--,KIT-FLAG:_
31	07000-F2055	· · O-RING	1	SN:A10001--,KIT-FLAG:_
32	01010-81025	· · BOLT	2	SN:A10001--,KIT-FLAG:_
33	01643-31032	· · WASHER	2	SN:A10001--,KIT-FLAG:_
34	195-03-13241	· · VALVE	1	SN:A10001--,KIT-FLAG:_
35	07270-01509	· · TUBE	1	SN:A10001--,KIT-FLAG:_
36	07280-02023	· · CLAMP	1	SN:A10001--,KIT-FLAG:_
37	6212-62-4100	· AFTERCOOLER ASS'Y	1	SN:A10001--,KIT-FLAG:_
38	56B-03-11190	· BRACKET,L.H.	1	SN:A10001--,KIT-FLAG:_
39	56B-03-11180	· BRACKET,R.H.	1	SN:A10001--,KIT-FLAG:_
40	01010-81225	· BOLT	8	SN:A10001--,KIT-FLAG:_
41	01643-31232	· WASHER	8	SN:A10001--,KIT-FLAG:_

HM400-1L S/N A10001-UP
00004717



00004717

Ref. C0110-02A0

Page 060020

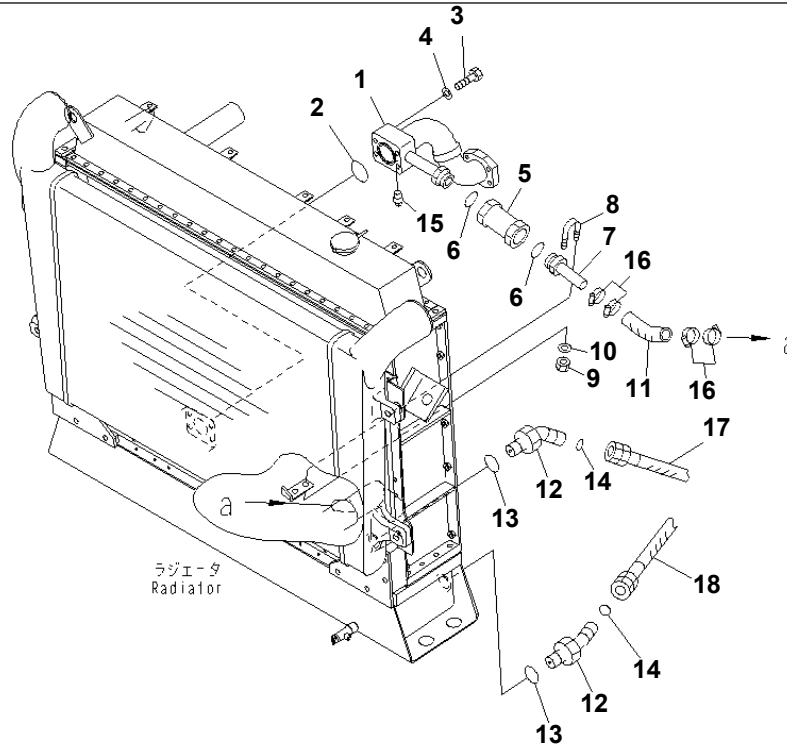
HM400-1L S/N A10001-UP
RADIATOR (BAFFLE AND FAN NET)

Item	Part No.	Description	Qty	Options
1	56B-03-11812	BAFFLE	1	SN:A10001--,KIT-FLAG:_
	04400-00414	・ RIVET	13	SN:A10001--,KIT-FLAG:_
2	01010-81025	BOLT	5	SN:A10001--,KIT-FLAG:_
3	01643-31032	WASHER	5	SN:A10001--,KIT-FLAG:_
4	56B-03-11821	BAFFLE	1	SN:A10001--,KIT-FLAG:_
	04400-00414	・ RIVET	12	SN:A10001--,KIT-FLAG:_
5	56B-03-11831	BAFFLE	1	SN:A10001--,KIT-FLAG:_
	04400-00414	・ RIVET	12	SN:A10001--,KIT-FLAG:_
6	56B-03-11870	BAFFLE	1	SN:A10001--,KIT-FLAG:_
7	56B-03-11880	BAFFLE	1	SN:A10001--,KIT-FLAG:_
8	01435-01020	BOLT	4	SN:A10001--,KIT-FLAG:_
9	01643-31032	WASHER	4	SN:A10001--,KIT-FLAG:_
10	566-03-41481	NET	1	SN:A10001--,KIT-FLAG:_
11	56B-03-11862	COVER	1	SN:A10001--,KIT-FLAG:_
12	01010-81025	BOLT	9	SN:A10001--,KIT-FLAG:_
13	01643-31032	WASHER	9	SN:A10001--,KIT-FLAG:_
14	01010-81025	BOLT	2	SN:A10001--,KIT-FLAG:_
15	01643-31032	WASHER	2	SN:A10001--,KIT-FLAG:_

Ref. C0110-02A0

Page 060020

HM400-1L S/N A10001-UP
00083010



00083010

Ref. C0110-03A0

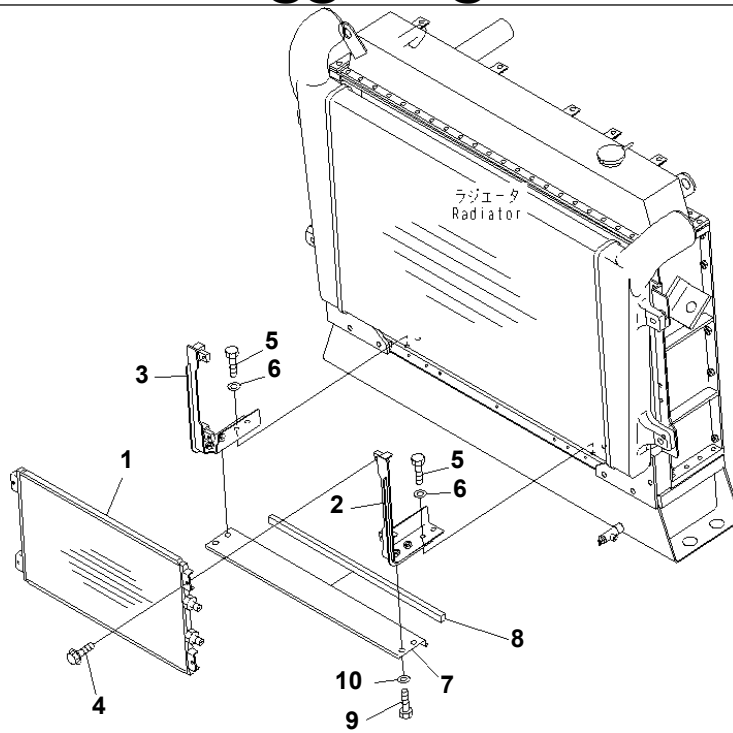
Page 060030

HM400-1L S/N A10001-UP
RADIATOR (BRAKE COOLING PIPING)

Item	Part No.	Description	Qty	Options
1	56B-61-12372	TUBE	1	SN:A10001--,KIT-FLAG:_
2	07000-F2060	O-RING	1	SN:A10001--,KIT-FLAG:_
3	01010-81270	BOLT	4	SN:A10001--,KIT-FLAG:_
4	01643-31232	WASHER	4	SN:A10001--,KIT-FLAG:_
5	56B-60-11500	VALVE ASS'Y	1	SN:A10001--,KIT-FLAG:_
6	07002-24234	O-RING	2	SN:A10001--,KIT-FLAG:_
7	56B-61-12381	TUBE	1	SN:A10001--,KIT-FLAG:_
8	07283-32738	CLIP	1	SN:A10001--,KIT-FLAG:_
9	01597-01009	NUT	2	SN:A10001--,KIT-FLAG:_
10	01643-31032	WASHER	2	SN:A10001--,KIT-FLAG:_
11	56B-61-12791	HOSE	1	SN:A10001--,KIT-FLAG:_
12	56B-61-13451	ELBOW	2	SN:A10001--,KIT-FLAG:_
13	07002-23634	O-RING	2	SN:A10001--,KIT-FLAG:_
14	207-62-64740	O-RING	2	SN:A10001--,KIT-FLAG:_
15	07042-20108	PLUG	1	SN:A10001--,KIT-FLAG:_
16	07289-00035	CLAMP	4	SN:A10001--,KIT-FLAG:_
17		HOSE,(SEE FIG. H3410-03A0)		SN:A10001--,KIT-FLAG:_
18		HOSE,(SEE FIG. H3410-03A0)		SN:A10001--,KIT-FLAG:_

Ref. C0110-03A0

Page 060030

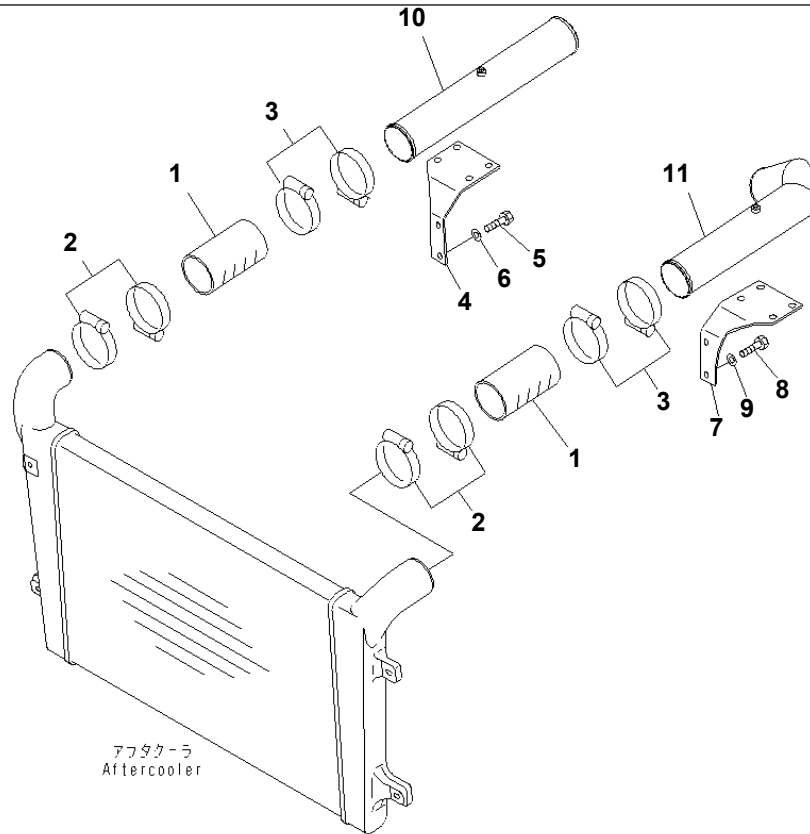


P W 2 B 2 5 7

HM400-1L S/N A10001-UP
RADIATOR (AIR CONDITIONER CONDENSER AND MOUNTING PARTS)

Item	Part No.	Description	Qty	Options
1	20Y-979-6131	CONDENSER ASS'Y	1	SN:A10001--,KIT-FLAG:_
2	56B-07-12860	BRACKET	1	SN:A10001--,KIT-FLAG:_
3	56B-07-12723	BRACKET	1	SN:A10001--,KIT-FLAG:_
4	01435-00814	BOLT	4	SN:A10001--,KIT-FLAG:_
5	01010-81035	BOLT	4	SN:A10001--,KIT-FLAG:_
6	01643-31032	WASHER	4	SN:A10001--,KIT-FLAG:_
7	56B-07-12870	COVER	1	SN:A10001--,KIT-FLAG:_
8	56B-07-12880	SEAL	2	SN:A10001--,KIT-FLAG:_
9	01010-81020	BOLT	4	SN:A10001--,KIT-FLAG:_
10	01643-31032	WASHER	4	SN:A10001--,KIT-FLAG:_

HM400-1L S/N A10001-UP
00083011



00083011

Ref. C0110-05A0

Page 060050

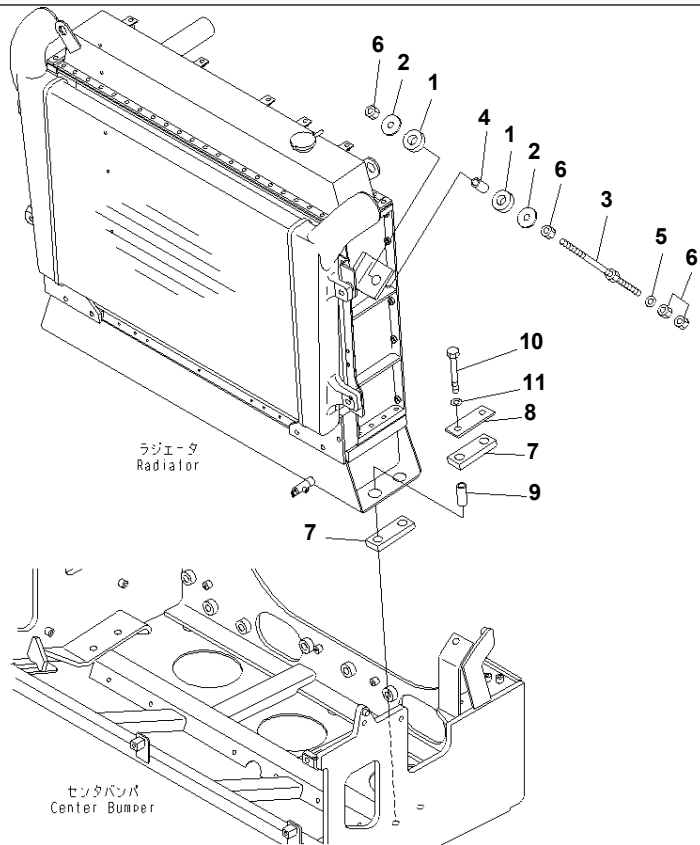
HM400-1L S/N A10001-UP
RADIATOR (AIR INTAKE PIPING)

Item	Part No.	Description	Qty	Options
1	566-02-6E141	HOSE	2	SN:A10001--,KIT-FLAG:_
2	07299-00105	CLAMP	4	SN:A10001--,KIT-FLAG:_
3	07299-00105	CLAMP	4	SN:A10001--,KIT-FLAG:_
4	56B-02-12231	BRACKET	1	SN:A10001--,KIT-FLAG:_
5	01010-81030	BOLT	2	SN:A10001--,KIT-FLAG:_
6	01643-31032	WASHER	2	SN:A10001--,KIT-FLAG:_
7	56B-02-12241	BRACKET	1	SN:A10001--,KIT-FLAG:_
8	01010-81030	BOLT	2	SN:A10001--,KIT-FLAG:_
9	01643-31032	WASHER	2	SN:A10001--,KIT-FLAG:_
10		TUBE,(SEE FIG. J3410-01A0)		SN:A10001--,KIT-FLAG:_
11		TUBE,(SEE FIG. J3410-01A0)		SN:A10001--,KIT-FLAG:_

Ref. C0110-05A0

Page 060050

HM400-1L S/N A10001-UP
00015161



00015161

Ref. C0110-06A0

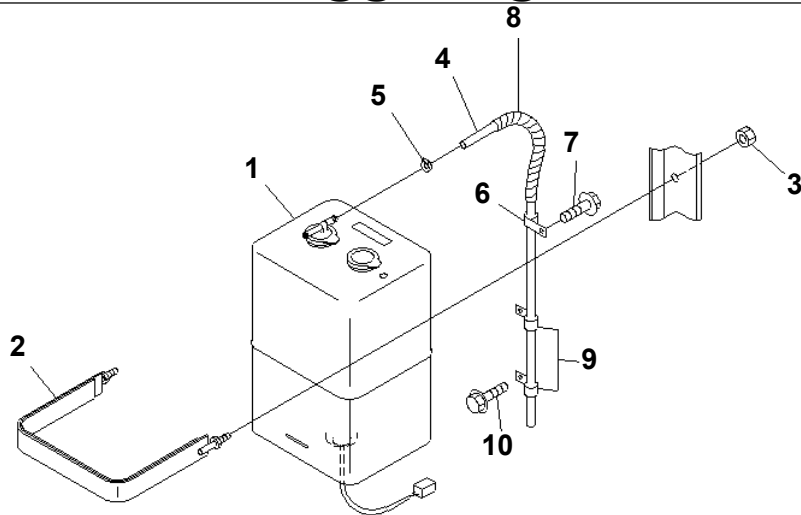
Page 060060

HM400-1L S/N A10001-UP
RADIATOR (MOUNTING PARTS)

Item	Part No.	Description	Qty	Options
1	285-03-11160	CUSHION	4	SN:A10001--,KIT-FLAG:_
2	285-03-11170	PLATE	4	SN:A10001--,KIT-FLAG:_
3	569-03-42340	ROD	2	SN:A10001--,KIT-FLAG:_
4	566-03-42270	SPACER	2	SN:A10001--,KIT-FLAG:_
5	01643-31645	WASHER	4	SN:A10001--,KIT-FLAG:_
6	01582-11613	NUT	8	SN:A10001--,KIT-FLAG:_
7	285-03-11120	CUSHION	4	SN:A10001--,KIT-FLAG:_
8	285-03-11140	PLATE	2	SN:A10001--,KIT-FLAG:_
9	566-03-42270	SPACER	4	SN:A10001--,KIT-FLAG:_
10	01010-81695	BOLT	4	SN:A10001--,KIT-FLAG:_
11	01643-31645	WASHER	4	SN:A10001--,KIT-FLAG:_

Ref. C0110-06A0

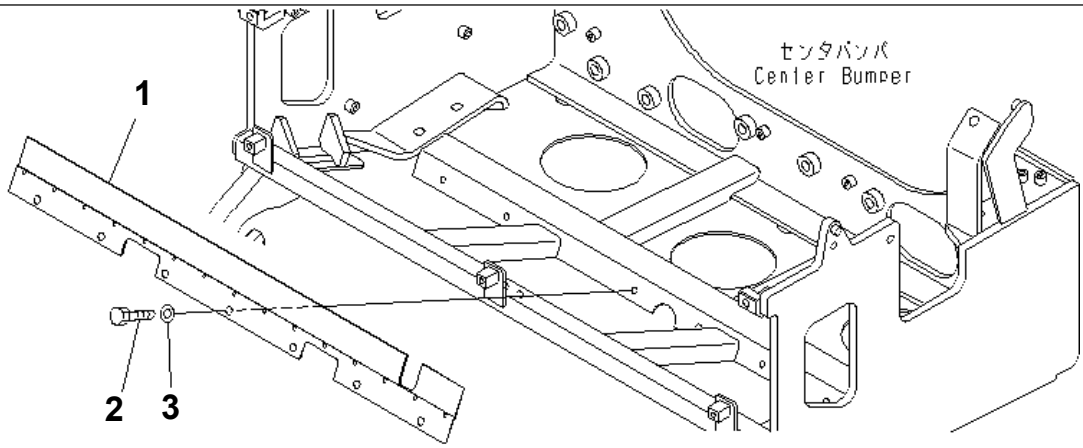
Page 060060



HM400-1L S/N A10001-UP
RADIATOR (RESERVE TANK AND PIPING)

Item	Part No.	Description	Qty	Options
1	56B-03-11910	TANK	1	SN:A10001--,KIT-FLAG:_
	21N-03-32360	· CAP ASS'Y	1	SN:A10001--,KIT-FLAG:_
	21N-03-32350	· CAP ASS'Y	1	SN:A10001--,KIT-FLAG:_
	08192-22810	· CONNECTOR	1	SN:A10001--,KIT-FLAG:_
2	56B-03-11740	BAND	1	SN:A10001--,KIT-FLAG:_
3	01580-00806	NUT	2	SN:A10001--,KIT-FLAG:_
4	56B-03-11630	TUBE	1	SN:A10001--,KIT-FLAG:_
5	07281-10167	CLAMP	1	SN:A10001--,KIT-FLAG:_
6	04434-51410	CLIP	1	SN:A10001--,KIT-FLAG:_
7	01435-01016	BOLT	1	SN:A10001--,KIT-FLAG:_
8	08210-00602	SPIRAL TUBE	1	SN:A10001--,KIT-FLAG:_
9	04434-51210	CLIP	2	SN:A10001--,KIT-FLAG:_
10	01435-01016	BOLT	1	SN:A10001--,KIT-FLAG:_

HM400-1L S/N A10001-UP
00015197



00015197

Ref. C0110-08A0

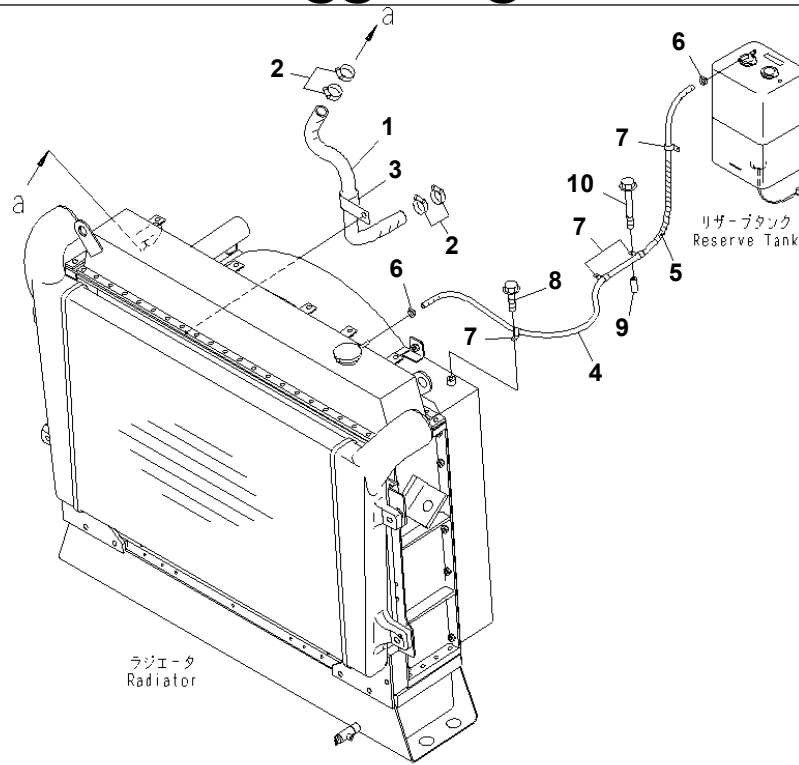
Page 060080

HM400-1L S/N A10001-UP
RADIATOR (BAFFLE)

Item	Part No.	Description	Qty	Options
1	56B-03-11842	BAFFLE	1	SN:A10001--,KIT-FLAG:_
	04400-00414	・ RIVET	15	SN:A10001--,KIT-FLAG:_
2	01010-81025	BOLT	7	SN:A10001--,KIT-FLAG:_
3	01643-31032	WASHER	7	SN:A10001--,KIT-FLAG:_

Ref. C0110-08A0

Page 060080



HM400-1L S/N A10001-UP
RADIATOR (RESERVE TANK COOLANT LINE)

Item	Part No.	Description	Qty	Options
1	56B-03-11851	HOSE	1	SN:A10001--,KIT-FLAG:_
2	07281-10419	CLAMP	4	SN:A10001--,KIT-FLAG:_
3	566-03-12620	CLAMP	1	SN:A10001--,KIT-FLAG:_
4	56B-03-11642	HOSE	1	SN:A10001--,KIT-FLAG:_
5	08210-01204	SPIRAL TUBE	1	SN:A10001--,KIT-FLAG:_
6	07281-10167	CLAMP	2	SN:A10001--,KIT-FLAG:_
7	04434-51410	CLIP	5	SN:A10001--,KIT-FLAG:_
8	01435-01016	BOLT	2	SN:A10001--,KIT-FLAG:_
9	23S-61-15250	COLLAR	2	SN:A10001--,KIT-FLAG:_
10	01435-01060	BOLT	2	SN:A10001--,KIT-FLAG:_

HM400-1L S/N A10001-UP
FUEL TANK AND RELATED PARTS

Item	Description	Qty	Page
10	FUEL TANK (RELATED PARTS)	1	090010
20	FUEL TANK (RELATED PARTS) (WITH HEATER)	1	090020
30	FUEL TANK (MOUNTING PARTS)	1	090030
40	FUEL PIPING	1	090040
50	FUEL PIPING (WITH ADDITIONAL FUEL FILTER) (1/2)	1	090050
60	FUEL PIPING (WITH WATER SEPARATOR) (1/2)	1	090060
70	FUEL PIPING (WITH ADDITIONAL FUEL FILTER) (2/2)	1	090070
80	FUEL PIPING (WITH WATER SEPARATOR) (2/2)	1	090080
90	FUEL PIPING (WITH WATER SEPARATOR) (INNER PARTS)	1	090090



Download the full PDF manual instantly.

Our customer service e-mail:

aservicemanualpdf@yahoo.com