

**HM400-1 S/N 1001-UP**  
**HM400-1 S/N 1001-UP**

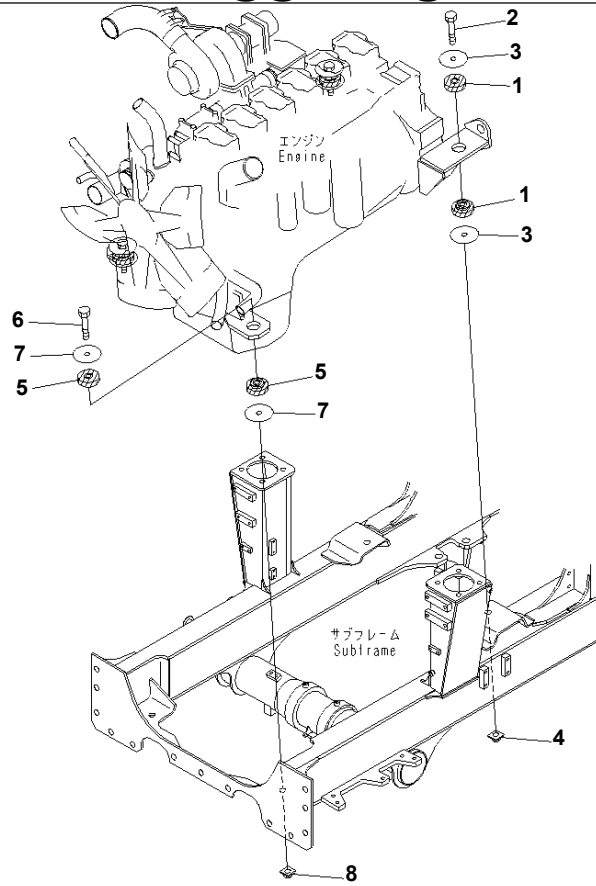
Item	Part Name
	SAA6D140E-3B-8 S/N 110003-UP
B0	ENGINE RELATED PARTS
C0	COOLING SYSTEM
D0	FUEL TANK AND RELATED PARTS
E0	ELECTRICAL SYSTEM
F0	TORQUE CONVERTER AND TRANSMISSION
H0	HYDRAULIC SYSTEM
J0	MAIN FRAME AND RELATED PARTS
K0	OPERATOR'S COMPARTMENT AND CONTROL SYSTEM
L0	PLATFORM AND RELATED PARTS
M0	GUARD
S0	RIM AND TIRE
T0	BODY
U0	MARKS AND PLATES
V0	TOOL
W0	AIR CONDITIONER AND DRIVE SHAFT GUARD
Y0	SERVICE KIT AND COMPONENT PARTS

**HM400-1 S/N 1001-UP  
ENGINE RELATED PARTS**

Item	Part Name	Qty
10	ENGINE MOUNTING	1
20	ENGINE HOSE	1
30	ENGINE HOSE (-40 逆 SPEC.)(#1932-)	1
40	ENGINE PIPING (AIR INTAKE AND EXHAUST)	1
50	ENGINE PIPING (AIR INTAKE AND EXHAUST) (WITH EXHAUST BRAKE)	1
60	ENGINE PIPING (AIR INTAKE AND EXHAUST) (WITH EXHAUST BRAKE AND ADDITIONAL COVER)	1
70	ENGINE HARNESS(#1001-1068)	1
80	ENGINE HARNESS(#1069-)	1
90	ENGINE HARNESS (-40 逆 SPEC.)(#1932-)	1
100	AIR CONDITIONER AND HEATER (HEATER PIPING)	1
110	HEATER LINE (HEATER PIPING)	1
120	AIR CONDITIONER AND HEATER (AIR COMPRESSOR AND RELATED PARTS)	1
130	DAMPER(#1001-1078)	1
140	DAMPER(#1079-)	1

HM400-1 S/N 1001-UP

@@2B247@



P.W.2.B.247

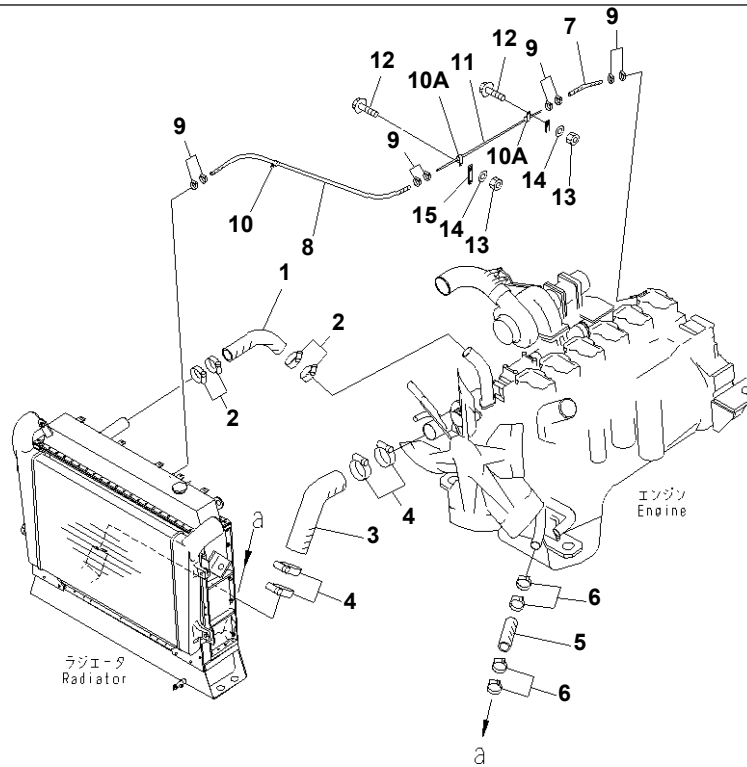
Ref. B0100-01A0

Page 030010

### HM400-1 S/N 1001-UP ENGINE MOUNTING

Item	Part No.	Part Name	Qty	Serial No.
1	425-01-11350	CUSHION	4	1001-
2	01011-62225	BOLT	2	1001-
3	424-01-11220	WASHER	4	1001-
4	425-01-11250	PLATE	2	1001-
5	425-01-11370	CUSHION	4	1001-
6	01011-62225	BOLT	2	1001-
7	424-01-11220	WASHER	4	1001-
8	425-01-11250	PLATE	2	1001-

HM400-1 S/N 1001-UP  
00015141



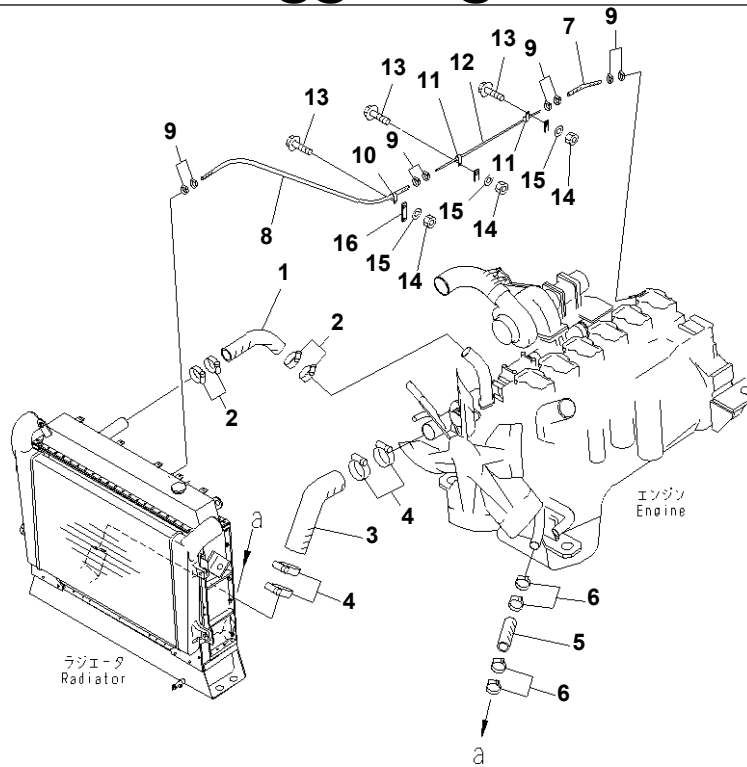
00015141

Ref. B0110-01A0

Page 030020

HM400-1 S/N 1001-UP  
ENGINE HOSE

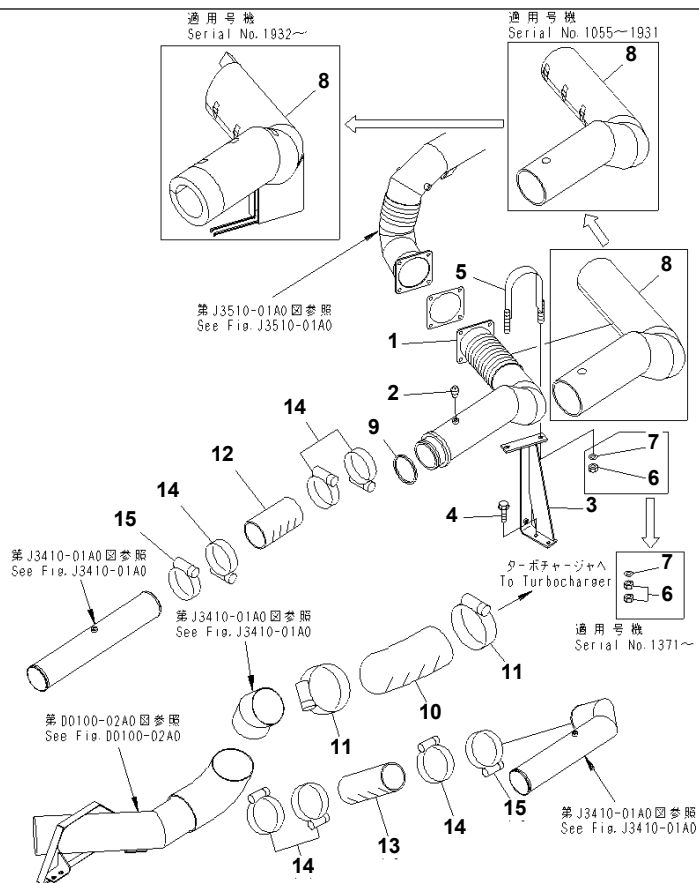
Item	Part No.	Part Name	Qty	Serial No.
1	56B-03-11612	HOSE	1	1069-
	56B-03-11611	HOSE	1	1001-1068
2	07299-00070	CLAMP	4	1069-
	07289-00070	CLAMP	4	1001-1068
3	56B-03-11621	HOSE	1	1069-
	56B-03-11620	HOSE	1	1001-1068
4	07299-00105	CLAMP	4	1069-
	07289-00105	CLAMP	4	1001-1068
5	07260-24722	HOSE	1	1001-
6	07299-00055	CLAMP	4	1069-
	07289-00055	CLAMP	4	1001-1068
7	09483-40302	HOSE	1	1001-
8	09483-40312	HOSE	1	1001-
9	07281-10197	CLAMP	8	1001-
10	04434-51710	CLIP	1	1001-
10A	04434-51010	CLIP	2	-
11	56B-03-11750	TUBE	1	1001-
12	01435-01020	BOLT	3	1024-
	(□01435-01016)	BOLT	3	1001-1023
13	01580-01008	NUT	2	1001-
14	01643-31032	WASHER	2	1001-
15	56B-03-11920	PLATE	1	1024-
	567-04-41330	PLATE	1	1001-1023



HM400-1 S/N 1001-UP  
ENGINE HOSE (-40℃ SPEC.)(#1932-)

Item	Part No.	Part Name	Qty	Serial No.
1	56B-03-11612	HOSE	1	1932-
2	07299-00070	CLAMP	4	1932-
3	56B-03-11621	HOSE	1	1932-
4	07299-00105	CLAMP	4	1932-
5	07260-34722	HOSE	1	1932-
6	07299-00055	CLAMP	4	1932-
7	09483-10302	HOSE	1	1932-
8	09483-10312	HOSE	1	1932-
9	07281-10197	CLAMP	8	1932-
10	04434-51710	CLIP	1	1932-
11	04434-51010	CLIP	2	1932-
12	56B-03-11750	TUBE	1	1932-
13	01435-01020	BOLT	3	1932-
14	01580-01008	NUT	2	1932-
15	01643-31032	WASHER	2	1932-
16	56B-03-11920	PLATE	1	1932-

HM400-1 S/N 1001-UP  
00087591



00087591

Ref. B0130-01A0

Page 030040

HM400-1 S/N 1001-UP  
ENGINE PIPING (AIR INTAKE AND EXHAUST)

Item	Part No.	Part Name	Qty	Serial No.
1	56B-02-11713	TUBE	1	1506-
	□56B-02-11712	TUBE	1	1371-1505
	□56B-02-11711	TUBE	1	1015-1370
	56B-02-11710	TUBE	1	1001-1014
2	07042-20108	PLUG	1	1001-
3	56B-02-11122	BRACKET	1	1371-
	56B-02-11121	BRACKET	1	1001-1370
4	01435-01020	BOLT	2	1001-
5	56B-02-21810	CLAMP	1	1371-
	56B-02-11810	BAND	1	1015-1370
	567-02-11170	CLIP	1	1001-1014
6	01580-11008	NUT	4	1371-
	01580-11008	NUT	2	1001-1370
7	01643-31032	WASHER	2	1001-
8	56B-02-11724	COVER	1	1932-
	56B-02-11723	COVER	1	1530-1931
	56B-02-11722	COVER	1	1055-1529
	56B-02-11721	COVER	1	.-1054
	56B-02-11720	COVER	1	1001-.
9	566-02-81160	RING	2	1001-
10	568-02-22240	ELBOW	1	1001-
11	07289-00160	CLAMP	2	1001-
12	566-02-6E141	HOSE	1	1001-
13	566-02-6E141	HOSE	1	1001-
14	569-02-82190	CLAMP	6	1479-
	□07299-00105	CLAMP	6	1080-1478
	□6212-11-4840	CLAMP	6	1001-1079
15	569-02-82190	CLAMP	2	1479-
	□07299-00105	CLAMP	2	1080-1478

Reference:B0130-01A0

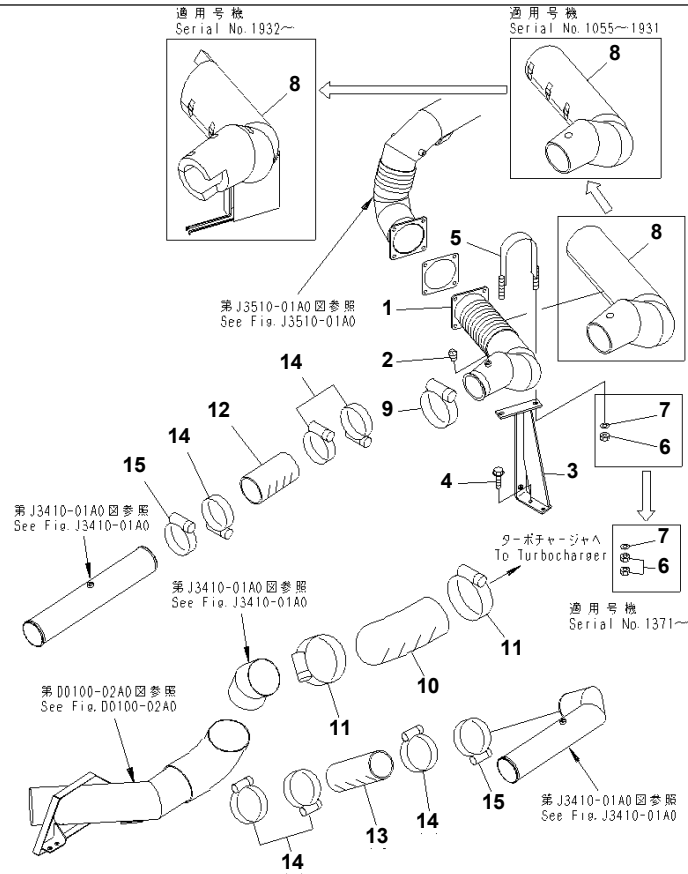
Page:030040

HM400-1 S/N 1001-UP  
**ENGINE PIPING (AIR INTAKE AND EXHAUST)**

---

Item	Part No.	Part Name	Qty	Serial No.
15	<input type="checkbox"/> 6212-11-4840	CLAMP	2	1001-1079

HM400-1 S/N 1001-UP  
00087592



00087592

Ref. B0130-01A1

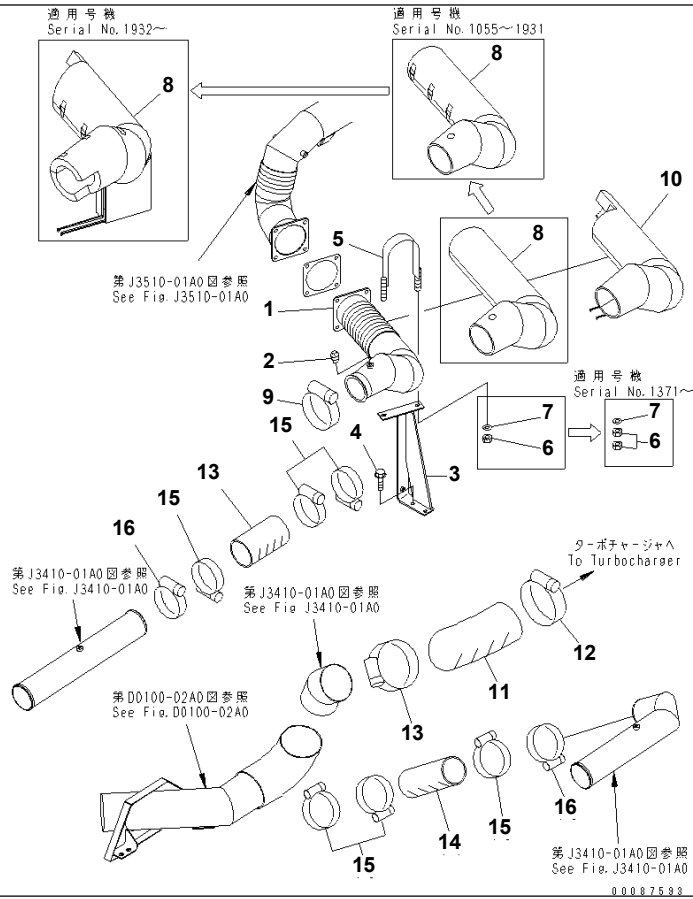
Page 030050

HM400-1 S/N 1001-UP  
ENGINE PIPING (AIR INTAKE AND EXHAUST) (WITH EXHAUST BRAKE)

Item	Part No.	Part Name	Qty	Serial No.
1	56B-02-11612	TUBE	1	1506-
	<input type="checkbox"/> 56B-02-11611	TUBE	1	1371-1505
	56B-02-11610	TUBE	1	1001-1370
2	07042-20108	PLUG	1	1001-
3	56B-02-11122	BRACKET	1	1371-
	56B-02-11121	BRACKET	1	1001-1370
4	01435-01020	BOLT	2	1001-
5	56B-02-21810	CLAMP	1	1371-
	56B-02-11810	BAND	1	1001-1370
6	01580-11008	NUT	4	1371-
	01580-11008	NUT	2	1001-1370
7	01643-31032	WASHER	2	1001-
	56B-02-11134	COVER	1	1371-
	<input checked="" type="checkbox"/> 56B-02-11133	COVER	1	(1371-1931)
	56B-02-11132	COVER	1	1055-1370
8	56B-02-11131	COVER	1	1001-1054
	6151-11-5361	CLAMP	1	1001-
	568-02-22240	ELBOW	1	1001-
11	07289-00160	CLAMP	2	1001-
12	566-02-6E141	HOSE	1	1001-
13	566-02-6E141	HOSE	1	1001-
14	569-02-82190	CLAMP	6	1479-
	<input type="checkbox"/> 07299-00105	CLAMP	6	1080-1478
	<input type="checkbox"/> 6212-11-4840	CLAMP	6	1001-1079
	569-02-82190	CLAMP	2	1479-
15	<input type="checkbox"/> 07299-00105	CLAMP	2	1080-1478
	<input type="checkbox"/> 6212-11-4840	CLAMP	2	1001-1079



HM400-1 S/N 1001-UP  
00087593



Ref. B0130-01A2

Page 030060

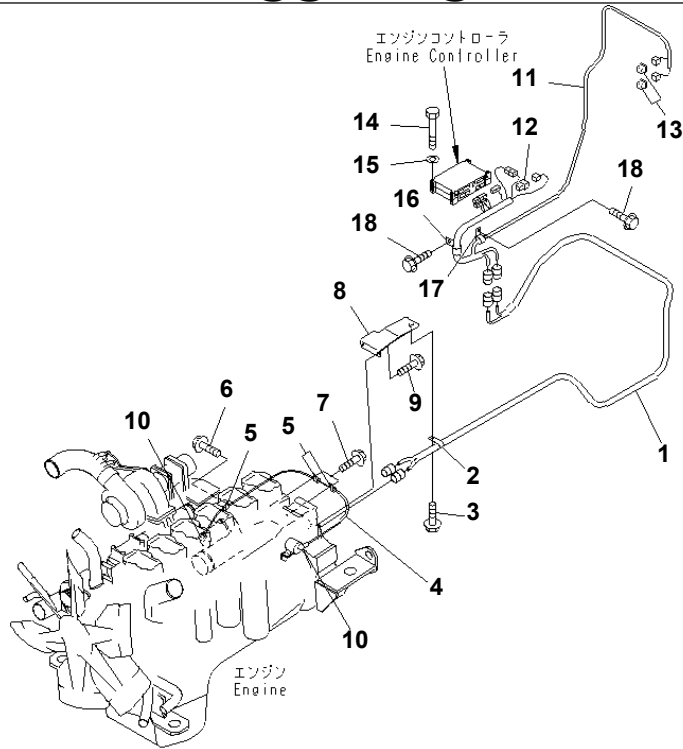
HM400-1 S/N 1001-UP  
ENGINE PIPING (AIR INTAKE AND EXHAUST) (WITH EXHAUST BRAKE AND  
ADDITIONAL COVER)

Item	Part No.	Part Name	Qty	Serial No.
1	56B-02-11612	TUBE	1	1506-
	□56B-02-11611	TUBE	1	1371-1505
	56B-02-11610	TUBE	1	1001-1370
2	07042-20108	PLUG	1	1001-
3	56B-02-11122	BRACKET	1	1371-
	56B-02-11121	BRACKET	1	1001-1370
4	01435-01020	BOLT	2	1001-
	56B-02-21810	CLAMP	1	1371-
5	56B-02-11810	BAND	1	1001-1370
	01580-11008	NUT	4	1371-
6	01580-11008	NUT	2	1001-1370
	01643-31032	WASHER	2	1001-
8	56B-02-11134	COVER	1	1371-
	(☑)56B-02-11133	COVER	1	(1371-1931)
	56B-02-11132	COVER	1	1055-1370
	56B-02-11131	COVER	1	1001-1054
9	6151-11-5361	CLAMP	1	1001-
10	56B-02-11970	COVER	1	1001-1931
11	568-02-22240	ELBOW	1	1001-
12	07289-00160	CLAMP	2	1001-
13	566-02-6E141	HOSE	1	1001-
14	566-02-6E141	HOSE	1	1001-
15	569-02-82190	CLAMP	6	1479-
	□07299-00105	CLAMP	6	1080-1478
	□6212-11-4840	CLAMP	6	1001-1079
16	569-02-82190	CLAMP	2	1479-
	□07299-00105	CLAMP	2	1080-1478
	□6212-11-4840	CLAMP	2	1001-1079

Reference: B0130-01A2

Page: 030060

HM400-1 S/N 1001-UP  
 @@2B250@



P W 2 B 2 5 0

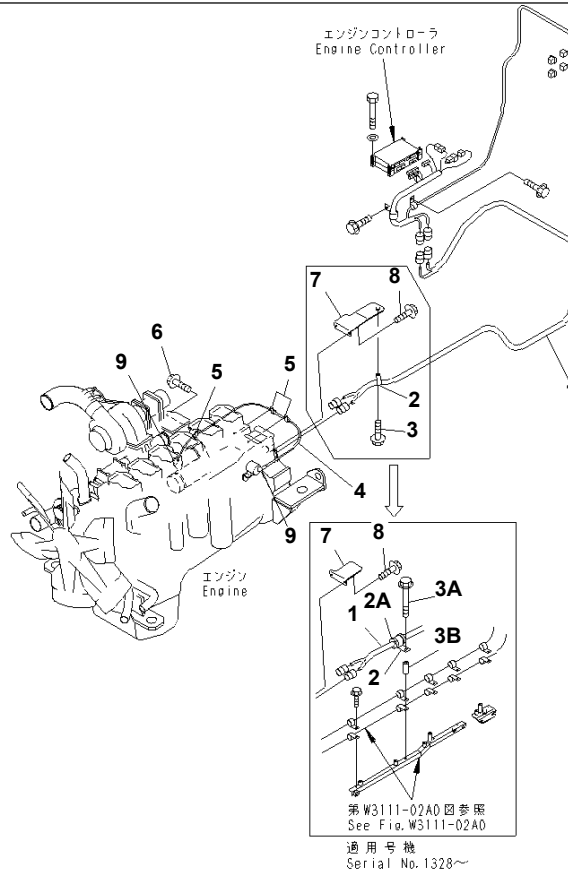
Ref. B0140-01A0

Page 030070

HM400-1 S/N 1001-UP  
 ENGINE HARNESS(#1001-1068)

Item	Part No.	Part Name	Qty	Serial No.
1	56B-06-11461	WIRING HARNESS,ENGINE	1	1001-@
2	08036-03014	CLIP	1	1001-@
3	01435-01016	BOLT	1	1001-@
4	56B-06-14530	CABLE,RIBBON HEATER	1	1001-@
5	08036-00814	CLIP	3	1001-@
6	01435-01016	BOLT	1	1001-@
7	01435-01020	BOLT	2	1001-1068
8	56B-06-11140	BRACKET	1	1001-@
9	01436-01020	BOLT	2	1001-@
10	08038-02027	CAP	2	1001-@
11	56B-06-16441	WIRING HARNESS,CAB	1	1001-1068
12	56B-06-16450	CONNECTOR	1	1001-1068
13	569-06-61960	RELAY	2	1001-1068
14	01010-80885	BOLT	4	1001-1068
15	01643-30823	WASHER	4	1001-1068
16	08036-03014	CLIP	1	1001-1068
17	08036-00814	CLIP	1	1001-1068
18	01435-01016	BOLT	2	1001-1068

HM400-1 S/N 1001-UP  
00041513



00041513

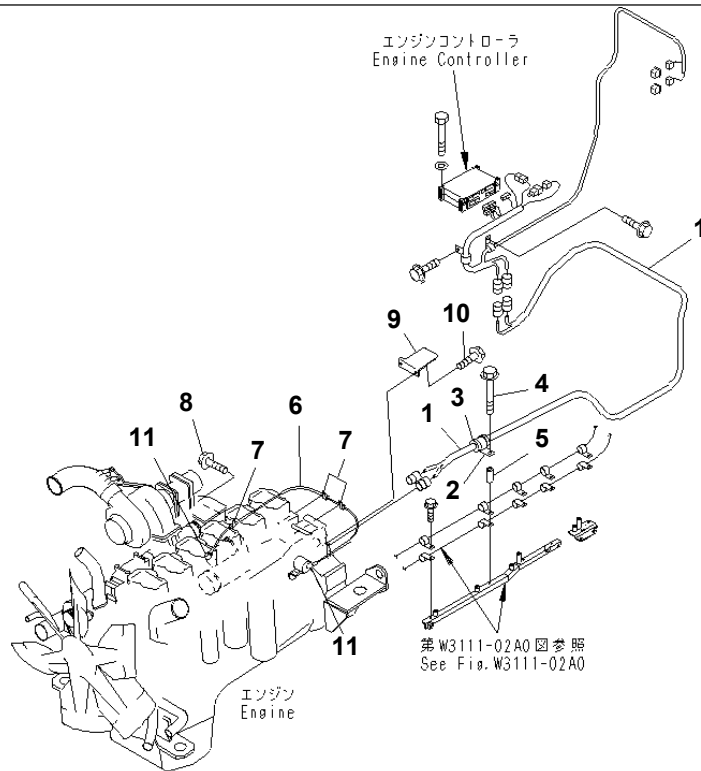
Ref. B0140-01A0A

Page 030080

HM400-1 S/N 1001-UP  
ENGINE HARNESS(#1069-)

Item	Part No.	Part Name	Qty	Serial No.
1	56B-06-11461	WIRING HARNESS,ENGINE	1	1001-
2	04434-53411	CLIP	1	1328-
	08036-03014	CLIP	1	1001-1327
2A	07095-00526	CUSHION	1	1328-
3	01435-01016	BOLT	1	1001-1327
3A	(01435-01065)	BOLT,(SEE SERVICE NEWS)	1	1328-
3B	(6152-51-5520)	SPACER,(SEE SERVICE NEWS)	1	1328-
4	56B-06-14530	CABLE,RIBBON HEATER	1	1001-
5	08036-00814	CLIP	3	1001-
6	01435-01016	BOLT	1	1001-
7	56B-06-11141	BRACKET	1	1328-
	56B-06-11140	BRACKET	1	1001-1327
8	01436-01020	BOLT	2	1001-
9	08038-02027	CAP	2	1001-

HM400-1 S/N 1001-UP  
00089260



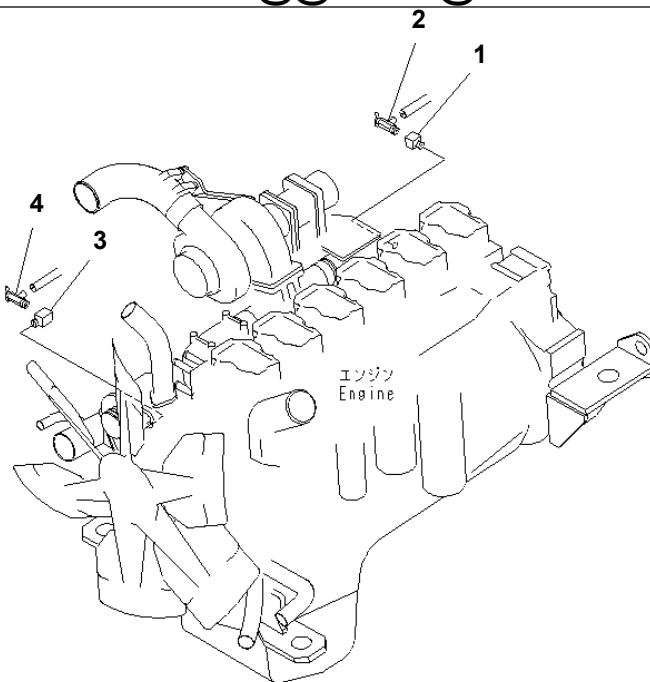
00089260

Ref. B0140-01A1

Page 030090

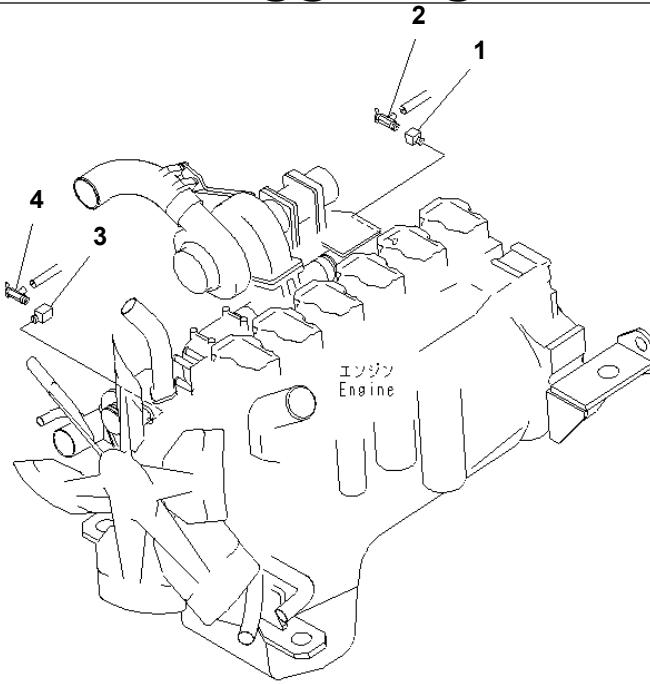
HM400-1 S/N 1001-UP  
ENGINE HARNESS (-40℃ SPEC.)(#1932-)

Item	Part No.	Part Name	Qty	Serial No.
1	56B-06-11461	WIRING HARNESS,ENGINE	1	1932-
2	04434-53411	CLIP	1	1932-
3	07095-00526	CUSHION	1	1932-
4	(01435-01065)	BOLT,(SEE SERVICE NEWS)	1	1932-
5	(6152-51-5520)	SPACER,(SEE SERVICE NEWS)	1	1932-
6	56B-06-14530	CABLE,RIBBON HEATER	1	1932-
7	08036-90814	CLIP	3	1932-
8	01435-01016	BOLT	1	1932-
9	56B-06-11141	BRACKET	1	1932-
10	01436-01020	BOLT	2	1932-
11	08038-12027	CAP	2	1932-



HM400-1 S/N 1001-UP  
**AIR CONDITIONER AND HEATER (HEATER PIPING)**

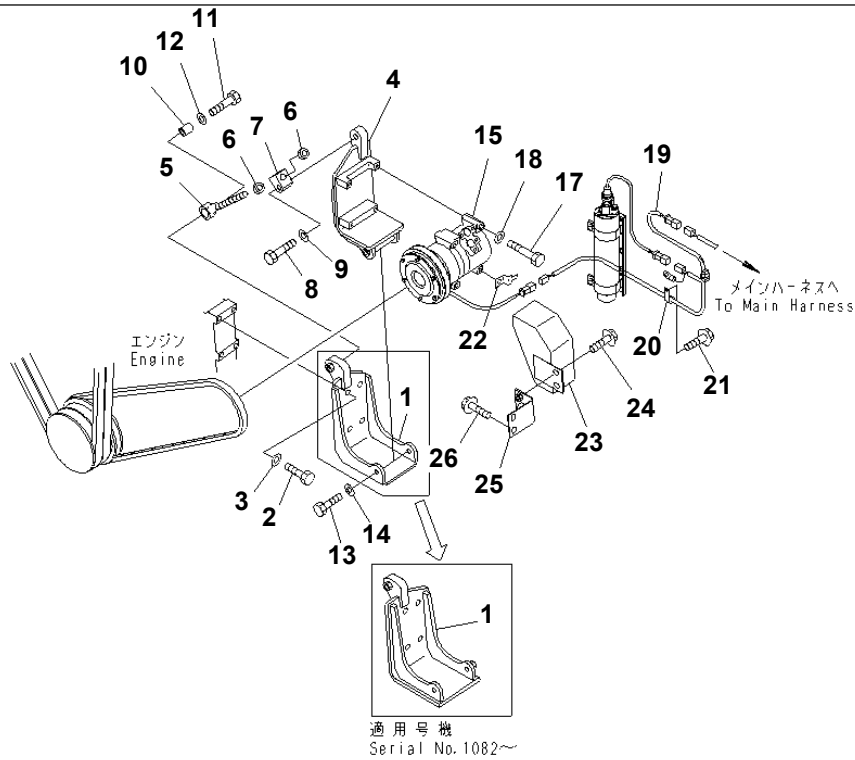
Item	Part No.	Part Name	Qty	Serial No.
1	569-07-63340	ADAPTER	1	1001-
2	09482-10000	VALVE	1	1001-
3	561-07-45120	ELBOW	1	1001-
4	09482-10000	VALVE	1	1001-



HM400-1 S/N 1001-UP  
HEATER LINE (HEATER PIPING)

Item	Part No.	Part Name	Qty	Serial No.
1	569-07-63340	ADAPTER	1	1001-
2	09482-20000	VALVE	1	1001-
3	561-07-45120	ELBOW	1	1001-
4	09482-20000	VALVE	1	1001-

HM400-1 S/N 1001-UP  
00015144



00015144

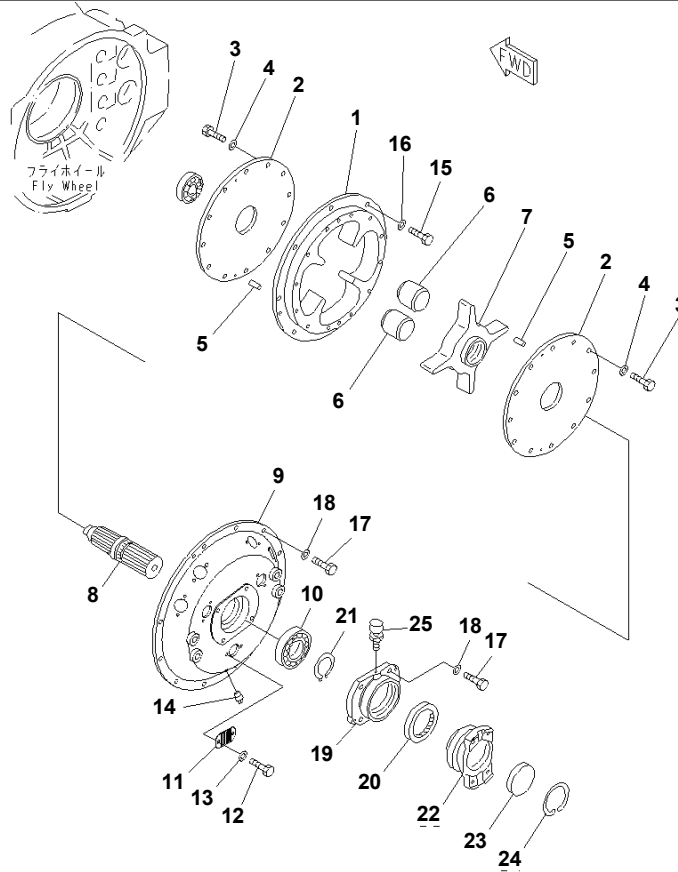
Ref. B0150-02A0

Page 030120

HM400-1 S/N 1001-UP  
AIR CONDITIONER AND HEATER (AIR COMPRESSOR AND RELATED PARTS)

Item	Part No.	Part Name	Qty	Serial No.
1	56B-07-12764	BRACKET	1	1082-
	◆56B-07-12763	BRACKET	1	1001-1081
2	01010-81230	BOLT	4	1001-
3	01643-31232	WASHER	4	1001-
4	56B-07-12774	BRACKET	1	1001-
5	6240-81-8610	ROD	1	1001-
6	01580-01613	NUT	2	1001-
7	6240-81-8670	PLATE	1	1001-
8	01010-81275	BOLT	1	1001-
9	01643-31232	WASHER	1	1001-
10	6215-81-6150	PIN	1	1001-
11	01010-81275	BOLT	1	1001-
12	01643-31232	WASHER	1	1001-
13	125-70-21210	BOLT	1	1001-
14	01643-31232	WASHER	1	1001-
15	421-07-31220	COMPRESSOR ASS'Y	1	1001-
17	01010-80875	BOLT	4	1001-
18	01643-30823	WASHER	4	1001-
19	56B-06-11442	WIRING HARNESS	1	1001-1227
20	08036-01214	CLIP	1	1001-1227
21	01435-01016	BOLT	1	1001-1227
22	08193-21012	CLIP	1	1001-
23	56B-07-12831	COVER	1	1001-
24	01435-01020	BOLT	2	1001-
25	56B-07-12840	BRACKET	1	1001-
26	01435-01016	BOLT	2	1001-

HM400-1 S/N 1001-UP  
 @@2B253@



P.W.2B253

Ref. B0600-01A0

Page 030130

HM400-1 S/N 1001-UP  
 DAMPER(#1001-1078)

Item	Part No.	Part Name	Qty	Serial No.
1	566-01-72140	BODY, OUTER	1	1001-@
2	566-01-22161	FLANGE	2	1001-@
3	01010-61030	BOLT	24	1001-@
4	01643-31032	WASHER	24	1001-@
5	04020-00820	PIN, DOWEL	4	1001-@
6	287-01-12180	CUSHION	8	1001-@
7	566-01-72150	BODY, INNER	1	1001-@
8	566-01-72210	SHAFT	1	1001-@
9	56B-01-12912	COVER	1	1014-1078
	56B-01-12911	COVER	1	1001-1013
10	06040-06213	BEARING	1	1001-@
11	56B-01-12980	COVER	7	1014-1078
	◆56B-01-12931	COVER	7	1014-1078
	56B-01-12930	COVER	7	1001-1013
12	01010-80816	BOLT	14	1001-1078
13	01643-30823	WASHER	14	1001-1078
14	07042-70108	PLUG	1	1001-@
15	01010-61230	BOLT	8	1001-@
16	01643-31232	WASHER	8	1001-@
17	01010-61235	BOLT	16	1001-@
18	01643-31232	WASHER	16	1001-@
19	56B-01-12120	COVER	1	1053-@
	566-01-72120	COVER	1	1001-1052
20	566-01-22912	SEAL	1	1001-@
21	04064-06525	RING, SNAP	1	1001-@
	56B-01-12710	COUPLING ASS'Y	1	1053-@
	566-01-72710	COUPLING ASS'Y	1	1001-1052
22	56B-01-12720	· COUPLING	1	1053-@
	566-01-72720	· COUPLING	1	1001-1052

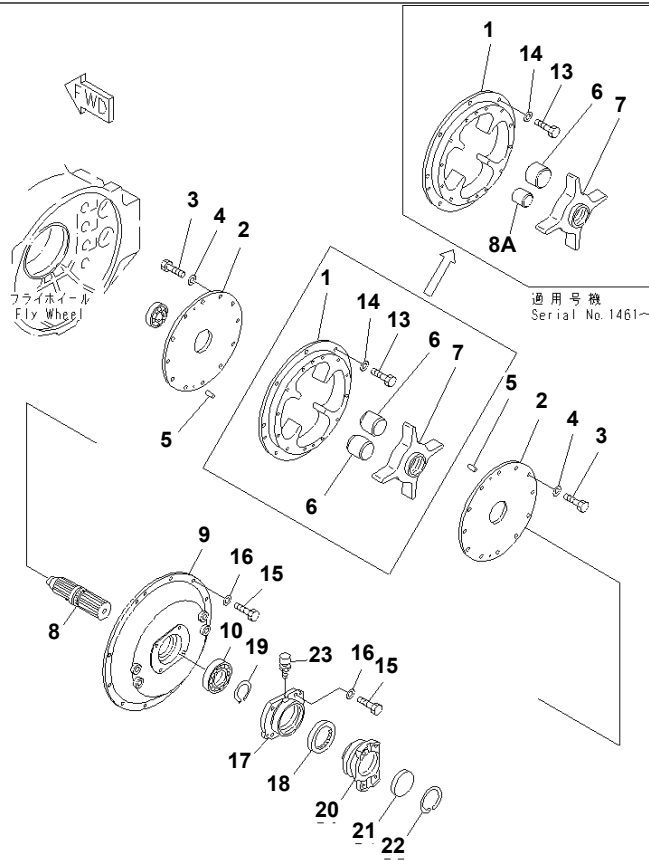


**HM400-1 S/N 1001-UP  
DAMPER(#1001-1078)**

---

Item	Part No.	Part Name	Qty	Serial No.
23	569-01-62790	· CAP	1	1001-@
24	04065-09530	· RING,SNAP	1	1001-@
25	07030-01030	BREATHER	1	1001-@

HM400-1 S/N 1001-UP  
00064775



00064775

Ref. B0600-01A0A

Page 030140

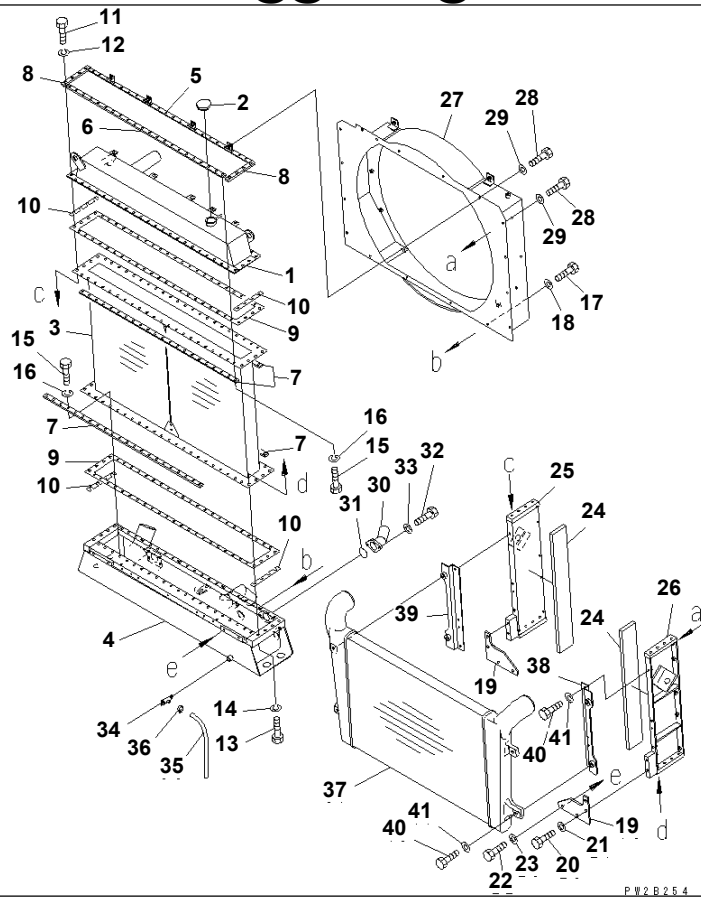
HM400-1 S/N 1001-UP  
DAMPER(#1079-)

Item	Part No.	Part Name	Qty	Serial No.
1	566-01-82140	BODY	1	1461-
	566-01-72140	BODY,OUTER	1	1001-1460
2	566-01-22161	FLANGE	2	1001-
3	01010-61030	BOLT	24	1001-
4	01643-31032	WASHER	24	1001-
5	04020-00820	PIN,DOWEL	4	1001-
6	566-01-82180	CUSHION	4	1461-
	287-01-12180	CUSHION	8	1001-1460
7	566-01-82150	BODY	1	1461-
	566-01-72150	BODY,INNER	1	1001-1460
8	566-01-72210	SHAFT	1	1001-
8A	566-01-82190	CUSHION	4	1461-
9	56B-01-12111	COVER	1	1079-
10	06040-06213	BEARING	1	1001-
13	01010-61230	BOLT	8	1001-
14	01643-31232	WASHER	8	1001-
15	01010-61235	BOLT	16	1001-
16	01643-31232	WASHER	16	1001-
17	56B-01-12120	COVER	1	1053-
18	566-01-22912	SEAL	1	1001-
19	04064-06525	RING,SNAP	1	1001-
	56B-01-12710	COUPLING ASS'Y	1	1053-
20	56B-01-12720	· COUPLING	1	1053-
21	569-01-62790	· CAP	1	1001-
22	04065-09530	· RING,SNAP	1	1001-
23	07030-01030	BREATHER	1	1001-

**HM400-1 S/N 1001-UP  
COOLING SYSTEM**

Item	Part Name	Qty
10	RADIATOR AND AFTER COOLER(#1001-1595)	1
20	RADIATOR AND AFTER COOLER(#1596-)	1
30	RADIATOR AND AFTER COOLER (-40 遡 SPEC.)(#1932-)	1
40	RADIATOR (BAFFLE AND FAN NET)(#1001-1933)	1
50	RADIATOR (BAFFLE AND FAN NET)(#1934-)	1
60	RADIATOR (BAFFLE AND FAN NET) (FOR INDONESIA)(#1572-1933)	1
70	RADIATOR (BRAKE COOLING PIPING)	1
80	RADIATOR (BRAKE COOLING PIPING) (-40 遡 SPEC.)(#1932-)	1
90	RADIATOR (AIR CONDITIONER CONDENSOR AND MOUNTING PARTS)	1
100	RADIATOR (AIR INTAKE PIPING)	1
110	RADIATOR (MOUNTING PARTS)	1
120	RADIATOR (RESERVE TANK AND PIPING)	1
130	RADIATOR (RESERVE TANK AND PIPING) (-40 遡 SPEC.)(#1932-)	1
140	RADIATOR (BAFFLE)(#1001-1933)	1
150	RADIATOR (BAFFLE)(#1934-)	1
160	RADIATOR (BAFFLE) (FOR INDONESIA)(#1572-1933)	1
170	BAFFLE (1/2)	1
180	BAFFLE (2/2)	1
190	COOLANT LINE	1

HM400-1 S/N 1001-UP  
 @@2B254@



Ref. C0110-01A0

Page 060010

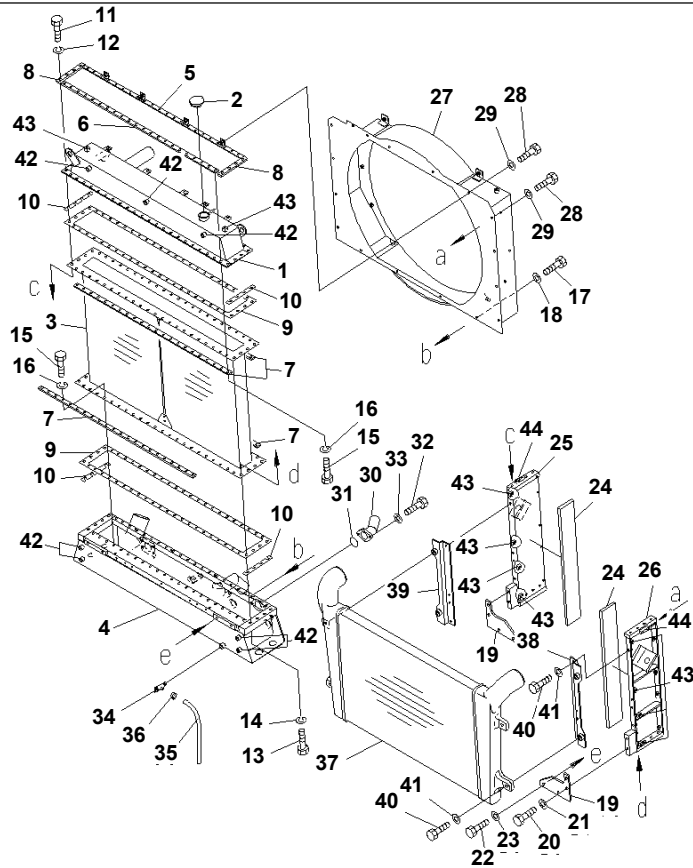
HM400-1 S/N 1001-UP  
 RADIATOR AND AFTER COOLER(#1001-1595)

Item	Part No.	Part Name	Qty	Serial No.
	56B-03-11101	RADIATOR ASS'Y	1	1001-@
	56B-03-11201	· RADIATOR ASS'Y	1	1001-@
1	56B-03-11110	· · TANK,UPPER	1	1001-@
2	566-03-6A510	· · CAP	1	1001-@
3	56B-03-11120	· · CORE	1	1001-@
4	56B-03-11311	· · TANK,LOWER	1	1001-@
5	56B-03-11340	· · PLATE	1	1001-@
6	56B-03-11350	· · PLATE	1	1001-@
7	56B-03-11450	· · PLATE	4	1001-@
8	566-03-6A330	· · PLATE	2	1001-@
9	56B-03-11320	· · GASKET	2	1001-@
10	566-03-41160	· · SHIM, 0.6MM	18	1001-@
11	01010-81245	· · BOLT	8	1001-@
12	01602-21236	· · WASHER,SPRING	8	1001-@
13	01010-81265	· · BOLT	8	1001-@
14	01602-21236	· · WASHER,SPRING	8	1001-@
15	01010-81030	· · BOLT	88	1001-@
16	01602-21030	· · WASHER,SPRING	88	1001-@
17	01010-81016	· · BOLT	4	1001-@
18	01643-31032	· · WASHER	4	1001-@
19	56B-03-11371	· · PLATE	2	1001-@
20	01010-81285	· · BOLT	6	1001-@
21	01643-31232	· · WASHER	6	1001-@
22	01010-81225	· · BOLT	4	1001-@
23	01643-31232	· · WASHER	4	1001-@
24	56B-03-11150	· · SEAT	2	1001-@
25	56B-03-11130	· · SUPPORT	1	1001-@
26	56B-03-11140	· · SUPPORT	1	1001-@
27	56B-03-11160	· · SHROUD	1	1001-@

**HM400-1 S/N 1001-UP**  
**RADIATOR AND AFTER COOLER(#1001-1595)**

Item	Part No.	Part Name	Qty	Serial No.
28	01010-81025	· · BOLT	14	1001-@
29	01643-31032	· · WASHER	14	1001-@
30	56B-03-11460	· · TUBE	1	1001-@
31	07000-F2055	· · O-RING	1	1001-@
32	01010-81025	· · BOLT	2	1001-@
33	01643-31032	· · WASHER	2	1001-@
34	195-03-13241	· · VALVE	1	1001-@
35	07270-01509	· · TUBE	1	1001-@
36	07280-02023	· · CLAMP	1	1001-@
37	6212-62-4100	· AFTERCOOLER ASS'Y	1	1001-@
38	56B-03-11190	· BRACKET,L.H.	1	1001-@
39	56B-03-11180	· BRACKET,R.H.	1	1001-@
40	01010-81225	· BOLT	8	1001-@
41	01643-31232	· WASHER	8	1001-@

HM400-1 S/N 1001-UP  
00075873



00075873

Ref. C0110-01A0A

Page 060020

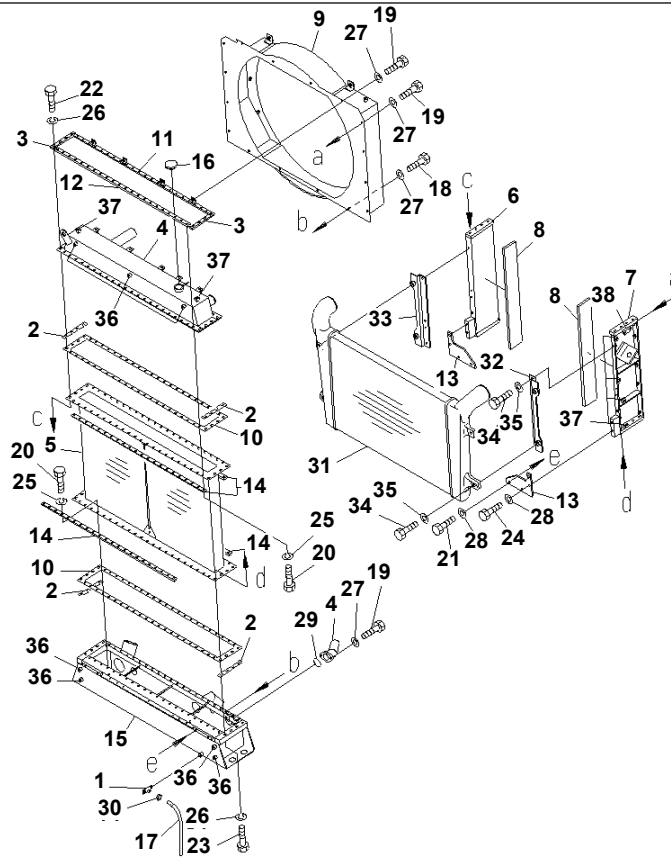
HM400-1 S/N 1001-UP  
RADIATOR AND AFTER COOLER(#1596-)

Item	Part No.	Part Name	Qty	Serial No.
	56B-03-12210	RADIATOR ASS'Y	1	1596-
	56B-03-11101	· RADIATOR ASS'Y	1	1001-
	56B-03-11201	· · RADIATOR ASS'Y	1	1001-
1	56B-03-11110	· · · TANK,UPPER	1	1001-
2	566-03-6A510	· · · CAP	1	1001-
3	56B-03-11120	· · · CORE	1	1001-
4	56B-03-11311	· · · TANK,LOWER	1	1001-
5	56B-03-11340	· · · PLATE	1	1001-
6	56B-03-11350	· · · PLATE	1	1001-
7	56B-03-11450	· · · PLATE	4	1001-
8	566-03-6A330	· · · PLATE	2	1001-
9	56B-03-11320	· · · GASKET	2	1001-
10	566-03-41160	· · · SHIM, 0.6MM	18	1001-
11	01010-81245	· · · BOLT	8	1001-
12	01602-21236	· · · WASHER,SPRING	8	1001-
13	01010-81265	· · · BOLT	8	1001-
14	01602-21236	· · · WASHER,SPRING	8	1001-
15	01010-81030	· · · BOLT	88	1001-
16	01602-21030	· · · WASHER,SPRING	88	1001-
17	01010-81016	· · · BOLT	4	1001-
18	01643-31032	· · · WASHER	4	1001-
19	56B-03-11371	· · · PLATE	2	1001-
20	01010-81285	· · · BOLT	6	1001-
21	01643-31232	· · · WASHER	6	1001-
22	01010-81225	· · · BOLT	4	1001-
23	01643-31232	· · · WASHER	4	1001-
24	56B-03-11150	· · · SEAT	2	1001-
25	56B-03-11130	· · · SUPPORT	1	1001-
26	56B-03-11140	· · · SUPPORT	1	1001-

**HM400-1 S/N 1001-UP  
RADIATOR AND AFTER COOLER(#1596-)**

Item	Part No.	Part Name	Qty	Serial No.
27	56B-03-11160	. . . SHROUD	1	1001-
28	01010-81025	. . . BOLT	14	1001-
29	01643-31032	. . . WASHER	14	1001-
30	56B-03-11460	. . . TUBE	1	1001-
31	07000-F2055	. . . O-RING	1	1001-
32	01010-81025	. . . BOLT	2	1001-
33	01643-31032	. . . WASHER	2	1001-
34	195-03-13241	. . . VALVE	1	1001-
35	07270-01509	. . . TUBE	1	1001-
36	07280-02023	. . . CLAMP	1	1001-
37	6212-62-4100	. . AFTERCOOLER ASS'Y	1	1001-
38	56B-03-11190	. . BRACKET,L.H.	1	1001-
39	56B-03-11180	. . BRACKET,R.H.	1	1001-
40	01010-81225	. . BOLT	8	1001-
41	01643-31232	. . WASHER	8	1001-
42	01571-01016	. SEAT	7	1596-
43	01572-21019	. SEAT	10	1596-
44	01573-20206	. SEAT	2	1596-

HM400-1 S/N 1001-UP  
00089261



00089261

Ref. C0110-01A3

Page 060030

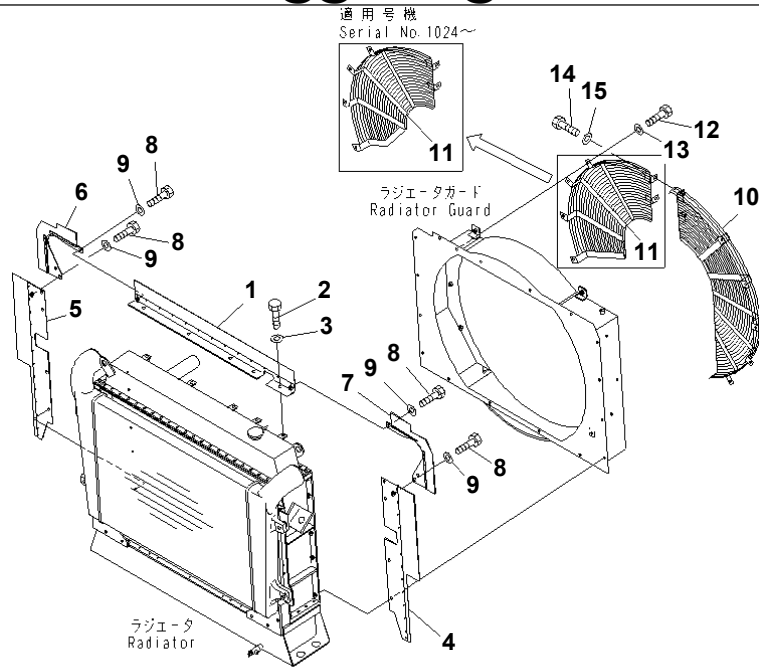
HM400-1 S/N 1001-UP  
RADIATOR AND AFTER COOLER (-40℃ SPEC.)(#1932-)

Item	Part No.	Part Name	Qty	Serial No.
	56C-03-17610	COOLER	1	1932-
	56C-03-17100	· RADIATOR ASS'Y	1	1932-
	56C-03-17200	· · RADIATOR ASS'Y	1	1932-
1	195-03-13241	· · · VALVE	1	1932-
2	566-03-41160	· · · SHIM, 0.6MM	18	1932-
3	566-03-6A330	· · · PLATE	2	1932-
4	56B-03-11110	· · · TANK, UPPER	1	1932-
5	56B-03-11120	· · · CORE	1	1932-
6	56B-03-11130	· · · SUPPORT	1	1932-
7	56B-03-11140	· · · SUPPORT	1	1932-
8	56B-03-11150	· · · SEAT	2	1932-
9	56B-03-11160	· · · SHROUD	1	1932-
10	56B-03-11320	· · · GASKET	2	1932-
11	56B-03-11340	· · · PLATE	1	1932-
12	56B-03-11350	· · · PLATE	1	1932-
13	56B-03-11371	· · · PLATE	2	1932-
14	56B-03-11450	· · · PLATE	4	1932-
15	56C-03-17310	· · · TANK, LOWER	1	1932-
16	56C-03-17510	· · · CAP	1	1932-
17	56C-03-17520	· · · HOSE	1	1932-
18	01010-81016	· · · BOLT	4	1932-
19	01010-81025	· · · BOLT	16	1932-
20	01010-81030	· · · BOLT	88	1932-
21	01010-81225	· · · BOLT	4	1932-
22	01010-81245	· · · BOLT	8	1932-
23	01010-81265	· · · BOLT	8	1932-
24	01010-81285	· · · BOLT	4	1932-
25	01602-21030	· · · WASHER, SPRING	88	1932-
26	01602-21236	· · · WASHER, SPRING	16	1932-



**HM400-1 S/N 1001-UP**  
**RADIATOR AND AFTER COOLER (-40℃ SPEC.)(#1932-)**

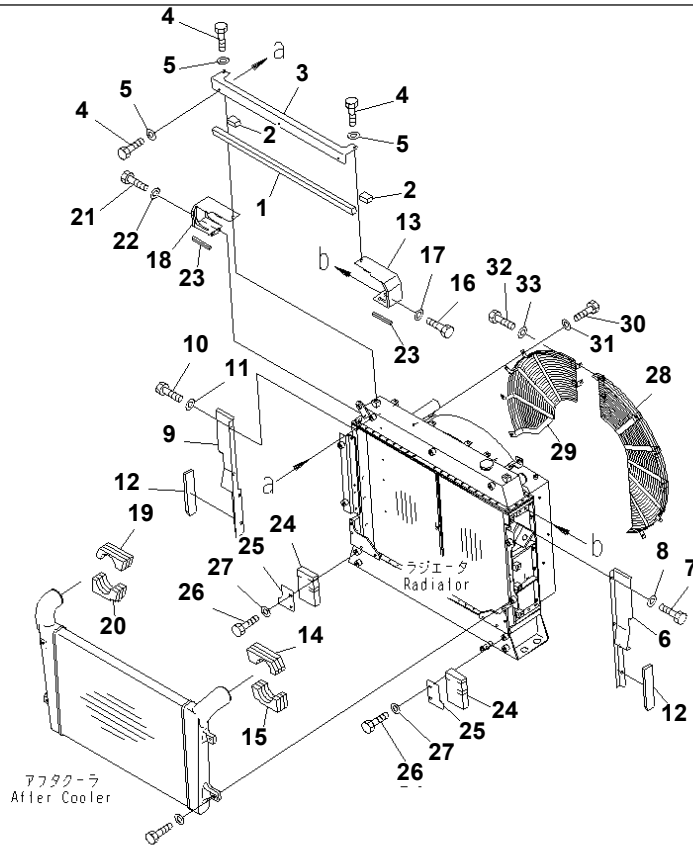
Item	Part No.	Part Name	Qty	Serial No.
27	01643-31032	. . . WASHER	20	1932-
28	01643-31232	. . . WASHER	8	1932-
29	07000-F2055	. . . O-RING	1	1932-
30	07280-02023	. . . CLAMP	1	1932-
31	6212-62-4100	. . . AFTERCOOLER ASS'Y	1	1932-
32	56B-03-11190	. . BRACKET,L.H.	1	1932-
33	56B-03-11180	. . BRACKET,R.H.	1	1932-
34	01010-81225	. . BOLT	8	1932-
35	01643-31232	. . WASHER	8	1932-
36	01571-01016	. SEAT	7	1932-
37	01572-21019	. SEAT	10	1932-
38	01573-20206	. SEAT	2	1932-



HM400-1 S/N 1001-UP  
**RADIATOR (BAFFLE AND FAN NET)(#1001-1933)**

Item	Part No.	Part Name	Qty	Serial No.
1	56B-03-11812	BAFFLE	1	1001-1933
	04400-00414	・ RIVET	13	1001-1933
2	01010-81025	BOLT	5	1001-1933
3	01643-31032	WASHER	5	1001-1933
4	56B-03-11821	BAFFLE	1	1001-1933
	04400-00414	・ RIVET	12	1001-1933
5	56B-03-11831	BAFFLE	1	1001-1933
	04400-00414	・ RIVET	12	1001-1933
6	56B-03-11870	BAFFLE	1	1001-1933
7	56B-03-11880	BAFFLE	1	1001-1933
8	01435-01020	BOLT	4	1001-1933
9	01643-31032	WASHER	4	1001-1933
10	566-03-41481	NET	1	1001-@
11	56B-03-11862	COVER	1	1024-@
	□56B-03-11861	COVER	1	1001-1023
12	01010-81025	BOLT	9	1001-@
13	01643-31032	WASHER	9	1001-@
14	01010-81025	BOLT	2	1001-@
15	01643-31032	WASHER	2	1001-@

HM400-1 S/N 1001-UP  
00088030



00088030

Ref. C0110-02A0A

Page 060050

HM400-1 S/N 1001-UP  
RADIATOR (BAFFLE AND FAN NET)(#1934-)

Item	Part No.	Part Name	Qty	Serial No.
1	56B-03-12610	SHEET	1	1572-
2	56B-03-12220	SHEET	2	1572-
3	56B-03-12650	BRACKET	1	1572-
4	01010-81020	BOLT	5	1572-
5	01643-31032	WASHER	5	1572-
6	56B-03-12820	BRACKET	1	1572-
7	01010-81020	BOLT	4	1572-
8	01643-31032	WASHER	4	1572-
9	56B-03-12830	BRACKET	1	1572-
10	01010-81020	BOLT	4	1572-
11	01643-31032	WASHER	4	1572-
12	56B-03-12510	SHEET	2	1572-
13	56B-03-12840	BRACKET	1	1572-
14	56B-03-12860	SHEET	1	1572-
15	56B-03-12880	SHEET	1	1572-
16	01010-81020	BOLT	2	1572-
17	01643-31032	WASHER	2	1572-
18	56B-03-12850	BRACKET	1	1572-
19	56B-03-12860	SHEET	1	1572-
20	56B-03-12880	SHEET	1	1572-
21	01010-81020	BOLT	2	1572-
22	01643-31032	WASHER	2	1572-
23	56B-03-12230	SHEET	2	1572-
24	56B-03-12530	SHEET	2	1572-
25	56B-03-12360	PLATE	2	1572-
26	01010-81020	BOLT	4	1572-
27	01643-31032	WASHER	4	1572-
28	566-03-41481	NET	1	1001-
29	56B-03-11862	COVER	1	1024-

**HM400-1 S/N 1001-UP**  
**RADIATOR (BAFFLE AND FAN NET)(#1934-)**

---

Item	Part No.	Part Name	Qty	Serial No.
30	01010-81025	BOLT	9	1001-
31	01643-31032	WASHER	9	1001-
32	01010-81025	BOLT	2	1001-
33	01643-31032	WASHER	2	1001-



**Download the full PDF manual instantly.**

**Our customer service e-mail:**

**[aservicemanualpdf@yahoo.com](mailto:aservicemanualpdf@yahoo.com)**