

**HM350-2 S/N A11001-UP**  
**HM350-2 S/N A11001-UP**

**DESCRIPTION**

**ENGINE**  
**ENGINE RELATED PARTS**  
**COOLING SYSTEM**  
**FUEL TANK AND RELATED PARTS**  
**ELECTRICAL SYSTEM**  
**POWER TRAIN AND FINAL DRIVE**  
**HYDRAULIC SYSTEM**  
**MAIN/REVOLVING FRAME AND RELATED PARTS**  
**OPERATOR\rd5 S COMPARTMENT AND CONTROL SYSTEM**  
**GUARD**  
**SUSPENSION AND WHEEL RELATED PARTS**  
**WORK EQUIPMENT**  
**MARKS AND PLATES**  
**TOOL**

**HM350-2 S/N A11001-UP****ENGINE****DESCRIPTION**

CYLINDER HEAD  
ROCKER LEVER HOUSING  
ROCKER LEVER LEVER ASSEMBLY  
ROCKER LEVER SHAFT ASSEMBLY  
BREATHER PIPING AND FRONT GEAR TRAIN COVER MOUNTING  
TURBOCHARGER PIPING ENGINE S/N 530008-534892  
TURBOCHARGER PIPING ENGINE S/N 534893-  
TURBOCHARGER  
AIR INTAKE CONNECTION ENGINE S/N 530008-533486  
AIR INTAKE CONNECTION ENGINE S/N 533487-  
AIR INTAKE MANIFOLD  
EXHAUST MANIFOLD  
EXHAUST GAS RECIRCULATION (EGR) (1/7) ENGINE S/N 530008-530698  
EXHAUST GAS RECIRCULATION (EGR) (2/7) ENGINE S/N 530008-530698  
EXHAUST GAS RECIRCULATION (EGR) (3/7) ENGINE S/N 530008-530698  
EXHAUST GAS RECIRCULATION (EGR) (4/7) ENGINE S/N 530008-530698  
EXHAUST GAS RECIRCULATION (EGR) (5/7) ENGINE S/N 530008-530698  
EXHAUST GAS RECIRCULATION (EGR) (6/7) ENGINE S/N 530008-530698  
EXHAUST GAS RECIRCULATION (EGR) (7/7) ENGINE S/N 530008-530698  
EXHAUST GAS RECIRCULATION (EGR) (1/7) ENGINE S/N 530699-533486  
EXHAUST GAS RECIRCULATION (EGR) (2/7) ENGINE S/N 530699-533486  
EXHAUST GAS RECIRCULATION (EGR) (3/7) ENGINE S/N 530699-533486  
EXHAUST GAS RECIRCULATION (EGR) (4/7) ENGINE S/N 530699-533486  
EXHAUST GAS RECIRCULATION (EGR) (5/7) ENGINE S/N 530699-533486  
EXHAUST GAS RECIRCULATION (EGR) (6/7) ENGINE S/N 530699-533486  
EXHAUST GAS RECIRCULATION (EGR) (7/7) ENGINE S/N 530699-533486  
EXHAUST GAS RECIRCULATION (EGR) (1/6) ENGINE S/N 533487-  
EXHAUST GAS RECIRCULATION (EGR) (2/6) ENGINE S/N 533487-  
EXHAUST GAS RECIRCULATION (EGR) (3/6) ENGINE S/N 533487-  
EXHAUST GAS RECIRCULATION (EGR) (3/6) ENGINE S/N 535703-  
EXHAUST GAS RECIRCULATION (EGR) (4/6) ENGINE S/N 533487-  
EXHAUST GAS RECIRCULATION (EGR) (5/6) ENGINE S/N 533487-  
EXHAUST GAS RECIRCULATION (EGR) (6/6) ENGINE S/N 533487-  
EXHAUST GAS RECIRCULATION OIL PUMP ENGINE S/N 530008-532669  
EXHAUST GAS RECIRCULATION OIL PUMP ENGINE S/N 532670-  
EXHAUST GAS RECIRCULATION VALVE (EGR) EGR VALVE  
EXHAUST GAS RECIRCULATION VALVE (EGR) BYPASS VALVE  
CYLINDER BLOCK  
CYLINDER BLOCK ACCESSORY UNDER FRAME AND OIL FILLER  
CYLINDER BLOCK ACCESSORY UNDER FRAME AND OIL FILLER (ANTI-VANDALISM PROTECTION)  
FRONT GEAR TRAIN COVER  
ENGINE OIL PAN  
FLYWHEEL  
CRANKSHAFT ENGINE S/N 530001-531567  
CRANKSHAFT ENGINE S/N 531568-  
VIBRATION DAMPER  
PISTON AND CONNECTING ROD  
CAMSHAFT  
CAM FOLLOWER COVER  
ENGINE OIL PUMP  
ENGINE OIL FILTER AND PIPING  
ENGINE OIL COOLER  
FUEL INJECTION PIPING ORIGINAL RELEASE  
FUEL INJECTION PIPING NEW RELEASE  
FUEL INJECTION MOUNTING  
FUEL FILTER ORIGINAL RELEASE  
FUEL FILTER NEW RELEASE  
FUEL INJECTOR  
FUEL INJECTION PUMP AND COMMON RAIL MOUNTING  
FUEL INJECTION PUMP (1/2)  
COMMON RAIL  
FUEL INJECTION CONTROLLER  
FUEL PUMP OIL SUPPLY  
FUEL INJECTOR COVERS  
FUEL RETURN  
WATER PUMP ENGINE S/N 530008-533486

HM350-2 S/N A11001-UP

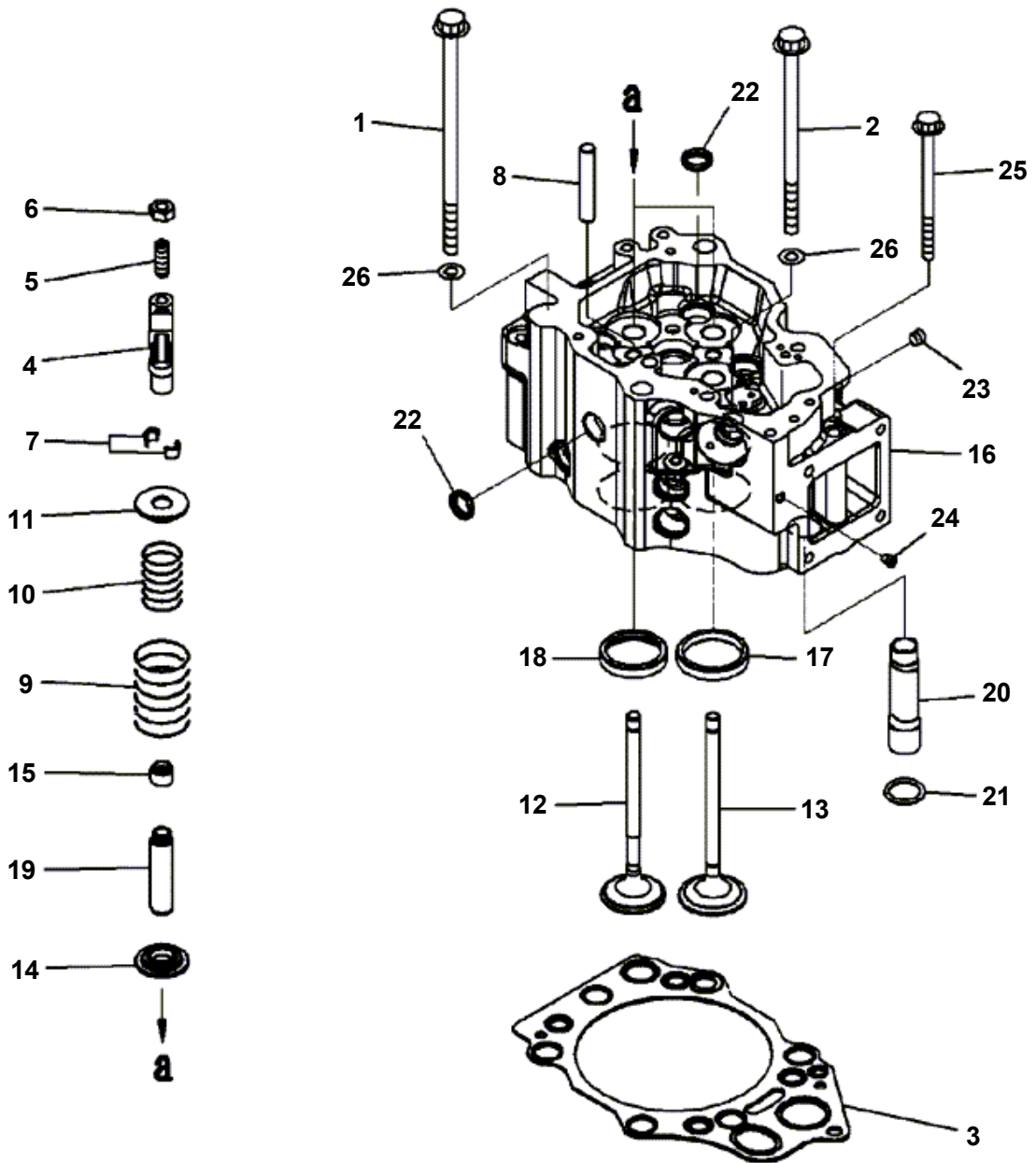
ENGINE

DESCRIPTION

WATER PUMP ENGINE S/N 533487-536014  
WATER PUMP ENGINE S/N 536015-  
THERMOSTAT AND HOUSING  
COOLING FAN DRIVE  
CORROSION RESISTOR ORIGINAL RELEASE  
CORROSION RESISTOR NEW RELEASE  
WATER LINE PLUG WITHOUT CORROSION RESISTOR  
COOLING FAN MOUNTING  
COOLING FAN  
50 A ALTERNATOR MOUNTING (NON HARDENED PULLEY)  
75 A ALTERNATOR MOUNTING (NON HARDENED PULLEY)  
50 A ALTERNATOR MOUNTING (HARDENED PULLEY)  
75 A ALTERNATOR MOUNTING (HARDENED PULLEY)  
50 A ALTERNATOR NON HARDENED PULLEY  
75 A ALTERNATOR NON HARDENED PULLEY  
50 A ALTERNATOR HARDENED PULLEY  
75 A ALTERNATOR HARDENED PULLEY  
STARTING MOTOR MOUNTING  
STARTING MOTOR  
HEAT SHIELD (1/2) TURBOCHARGER AND EXHAUST MANIFOLD (ENGINE S/N 530008-532350)  
HEAT SHIELD (2/2) EGR COOLER (ENGINE S/N 530008-532977)  
HEAT SHIELD (1/2) TURBOCHARGER AND EXHAUST MANIFOLD (ENGINE S/N 532351-)  
HEAT SHIELD (2/2) EGR COOLER (ENGINE S/N 532978-)  
HEAT SHIELD (2/2) EGR COOLER (ENGINE S/N 535703-)  
ENGINE WIRING HARNESS (1/4)  
ENGINE WIRING HARNESS (2/4)  
ENGINE WIRING HARNESS (3/4)  
ENGINE WIRING HARNESS (4/4) ENGINE S/N 530008-530698  
ENGINE WIRING HARNESS (4/4) ENGINE S/N 530699 AND UP  
ACCESSORY DRIVE PULLEY NON HARDENED  
POWER TAKE OFF NON HARDENED PULLEY  
ACCESSORY DRIVE PULLEY HARDENED PULLEY  
POWER TAKE OFF HARDENED PULLEY  
FRONT GEAR TRAIN  
FLYWHEEL HOUSING  
ENGINE LIFTING BRACKETS  
NAME PLATE AND CAUTION PLATE

FIG A1103-B8A2

A1103-B8A2 CYLINDER HEAD

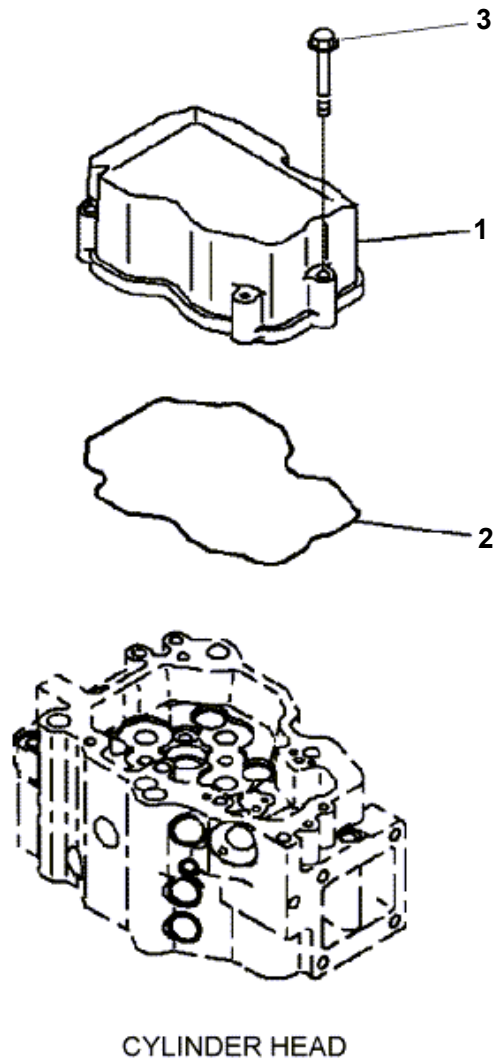


**HM350-2 S/N A11001-UP  
A1103-B8A2 CYLINDER HEAD**

ITEM NO.	PART NO.	DESCRIPTION	Q'TY
1	6217-11-1610	BOLT, HEAD	18
	6217-11-1610	BOLT, HEAD	18
2	6217-11-1620	BOLT, HEAD	18
	6217-11-1620	BOLT, HEAD	18
3	6210-17-1814	GASKET, HEAD	6
	6210-17-1814	GASKET, HEAD	6
N/I	6210-11-1820	· GROMMET, OIL	1
	6210-11-1820	· GROMMET, OIL	1
	6210-11-1831	· GROMMET, OIL	1
	6210-11-1831	· GROMMET, OIL	1
	6210-11-1840	· GROMMET, OIL	1
	6210-11-1840	· GROMMET, OIL	1
	6210-11-1962	· GROMMET, WATER	1
	6210-11-1962	· GROMMET, WATER	1
	(NSS)	· GROMMET, WATER	4
	(NSS)	· GROMMET, WATER	4
	6210-11-1940	· GROMMET, WATER	4
	6210-11-1940	· GROMMET, WATER	4
3	6210-19-1814	GASKET, HEAD (OVERSIZED 0.40 MM)	6
	6210-19-1814	GASKET, HEAD (OVERSIZED 0.40 MM)	6
N/I	6210-19-1820	· GROMMET, OIL	1
	6210-19-1820	· GROMMET, OIL	1
	6210-19-1831	· GROMMET, OIL	1
	6210-19-1831	· GROMMET, OIL	1
	6210-19-1840	· GROMMET, OIL	1
	6210-19-1840	· GROMMET, OIL	1
	6210-19-1962	· GROMMET, WATER	1
	6210-19-1962	· GROMMET, WATER	1
	(NSS)	· GROMMET, WATER	4
	(NSS)	· GROMMET, WATER	4
	6210-19-1940	· GROMMET, WATER	4
	6210-19-1940	· GROMMET, WATER	4
4	6210-41-5620	CROSSHEAD	12
	6210-41-5620	CROSSHEAD	12
5	6210-41-5641	SCREW	12
	6210-41-5641	SCREW	12
6	6162-43-5630	NUT, LOCK	12
	6162-43-5630	NUT, LOCK	12
7	6136-41-4520	COTTER, VALVE	48
	6136-41-4520	COTTER, VALVE	48
8	6210-11-1140	GUIDE, CROSSHEAD	12
	6210-11-1140	GUIDE, CROSSHEAD	12
9	6210-41-4430	SPRING, OUTER	24
	6210-41-4430	SPRING, OUTER	24
10	6210-41-4440	SPRING, INNER	24
	6210-41-4440	SPRING, INNER	24
11	6210-41-4510	SEAT, UPPER	24
	6210-41-4510	SEAT, UPPER	24
12	6215-41-4220	VALVE, EXHAUST	12
	6215-41-4220	VALVE, EXHAUST	12
13	6217-41-4110	VALVE, INTAKE	12
	6217-41-4110	VALVE, INTAKE	12
14	6217-41-4531	SEAT, LOWER	24
	6217-41-4531	SEAT, LOWER	24
15	6217-41-4540	SEAL	24
	6217-41-4540	SEAL	24
	6261-11-1300	CYLINDER HEAD ASSEMBLY	6
	6261-11-1300	CYLINDER HEAD ASSEMBLY	6
16	(NSS)	· HEAD, CYLINDER	1
	(NSS)	· HEAD, CYLINDER	1
17	6261-11-1380	· INSERT, INTAKE VALVE (STD)	2
	6261-11-1380	· INSERT, INTAKE VALVE (STD)	2
N/I	6261-19-1380	· INSERT, 0.25 MM, INTAKE VALVE (OS)	2
	6261-19-1380	· INSERT, 0.25 MM, INTAKE VALVE (OS)	2
	6261-18-1380	· INSERT, 0.50 MM, INTAKE VALVE (OS)	2

**HM350-2 S/N A11001-UP  
A1103-B8A2 CYLINDER HEAD**

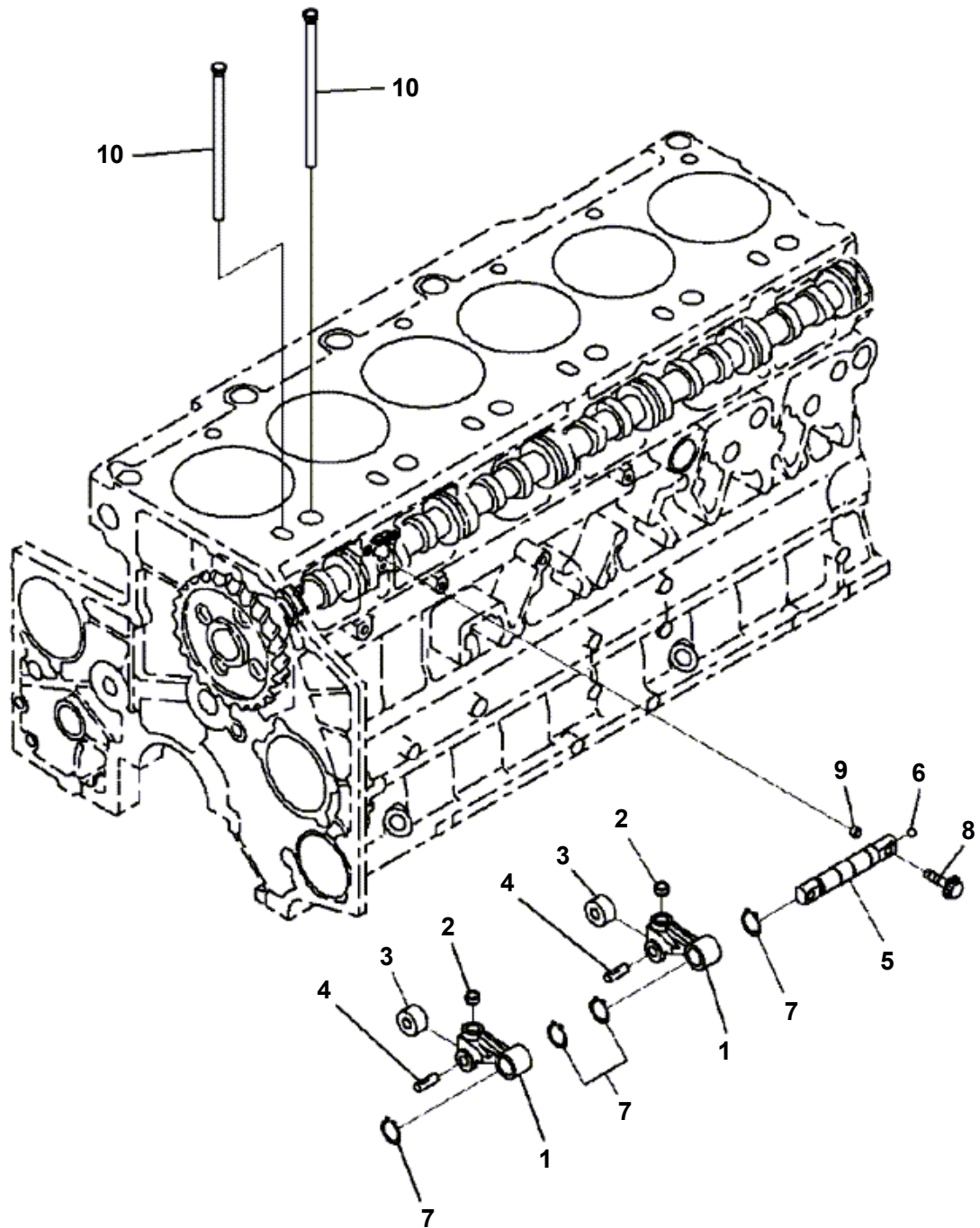
ITEM NO.	PART NO.	DESCRIPTION	Q'TY
N/I	6261-18-1380	· INSERT, 0.50 MM, INTAKE VALVE (OS)	2
	6261-17-1380	· INSERT, 0.75 MM, INTAKE VALVE (OS)	2
	6261-17-1380	· INSERT, 0.75 MM, INTAKE VALVE (OS)	2
	6261-16-1380	· INSERT, 1.00 MM, INTAKE VALVE (OS)	2
	6261-16-1380	· INSERT, 1.00 MM, INTAKE VALVE (OS)	2
18	6217-11-1321	· INSERT, EXHAUST VALVE (STD)	2
	6217-11-1321	· INSERT, EXHAUST VALVE (STD)	2
N/I	6217-19-1321	· INSERT, 0.25 MM, EXHAUST VALVE (OS)	2
	6217-18-1321	· INSERT, 0.50 MM, EXHAUST VALVE (OS)	2
	6217-17-1321	· INSERT, 0.75 MM, EXHAUST VALVE (OS)	2
	6217-16-1321	· INSERT, 1.00 MM, EXHAUST VALVE (OS)	2
19	6217-11-1441	· GUIDE, VALVE	4
20	6210-11-1150	· PIPE	1
21	07000-73025	· O-RING	1
22	6162-13-1150	· PLUG, EXPANSION	13
23	07043-00108	· PLUG	1
24	(NSS)	· PLUG	2
25	01438-01020	BOLT	6
26	01643-51645	WASHER	36



**HM350-2 S/N A11001-UP**  
**A1106-B8A1 ROCKER LEVER HOUSING**

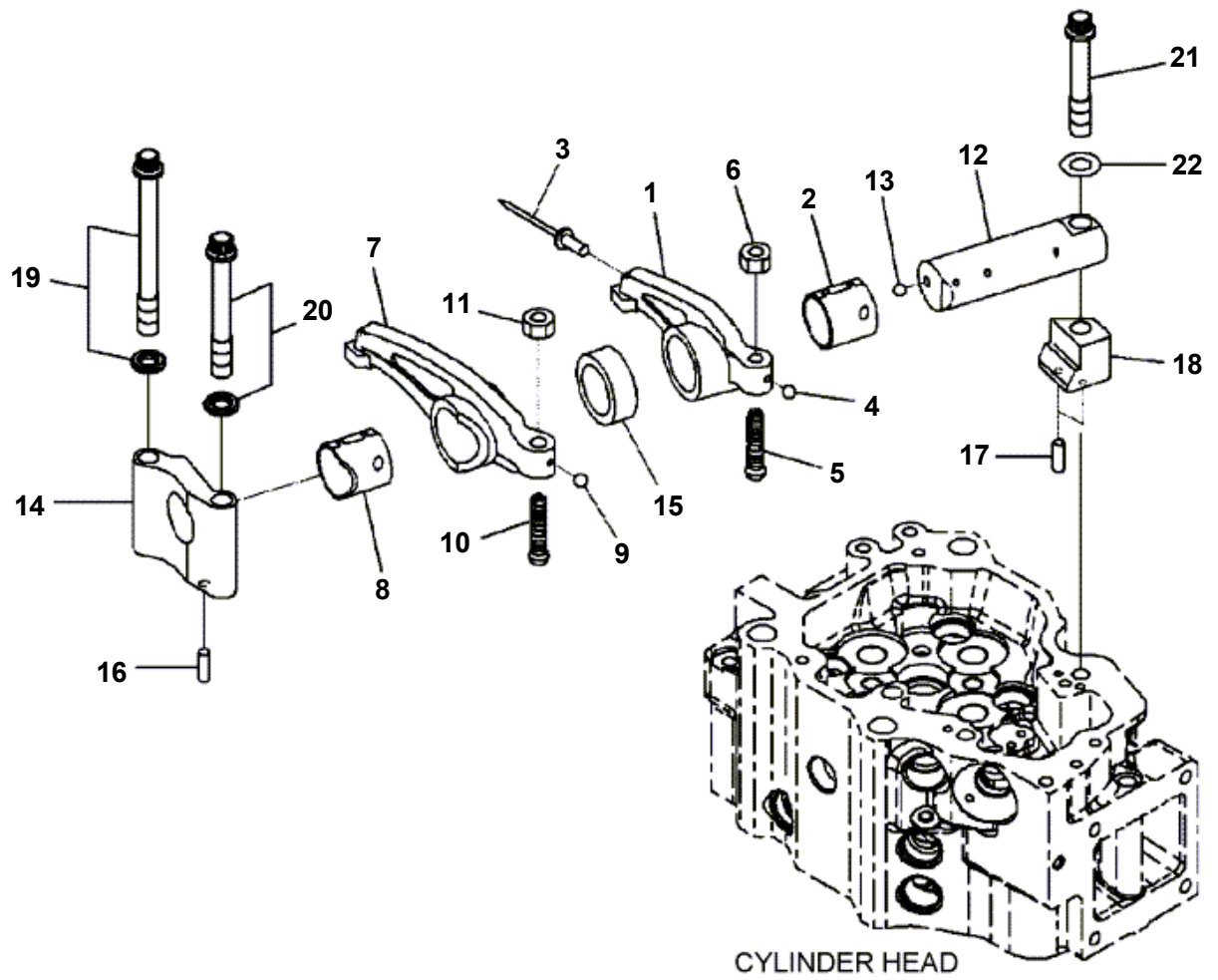
ITEM NO.	PART NO.	DESCRIPTION	Q'TY
1	6217-11-8100	COVER ASSEMBLY	6
2	6217-11-8110	· COVER, ROCKER LEVER HOUSING	1
3	6217-11-8830	· GASKET	1
3	01435-00855	BOLT	18





**HM350-2 S/N A11001-UP**  
**A1109-B8A1 ROCKER LEVER LEVER ASSEMBLY**

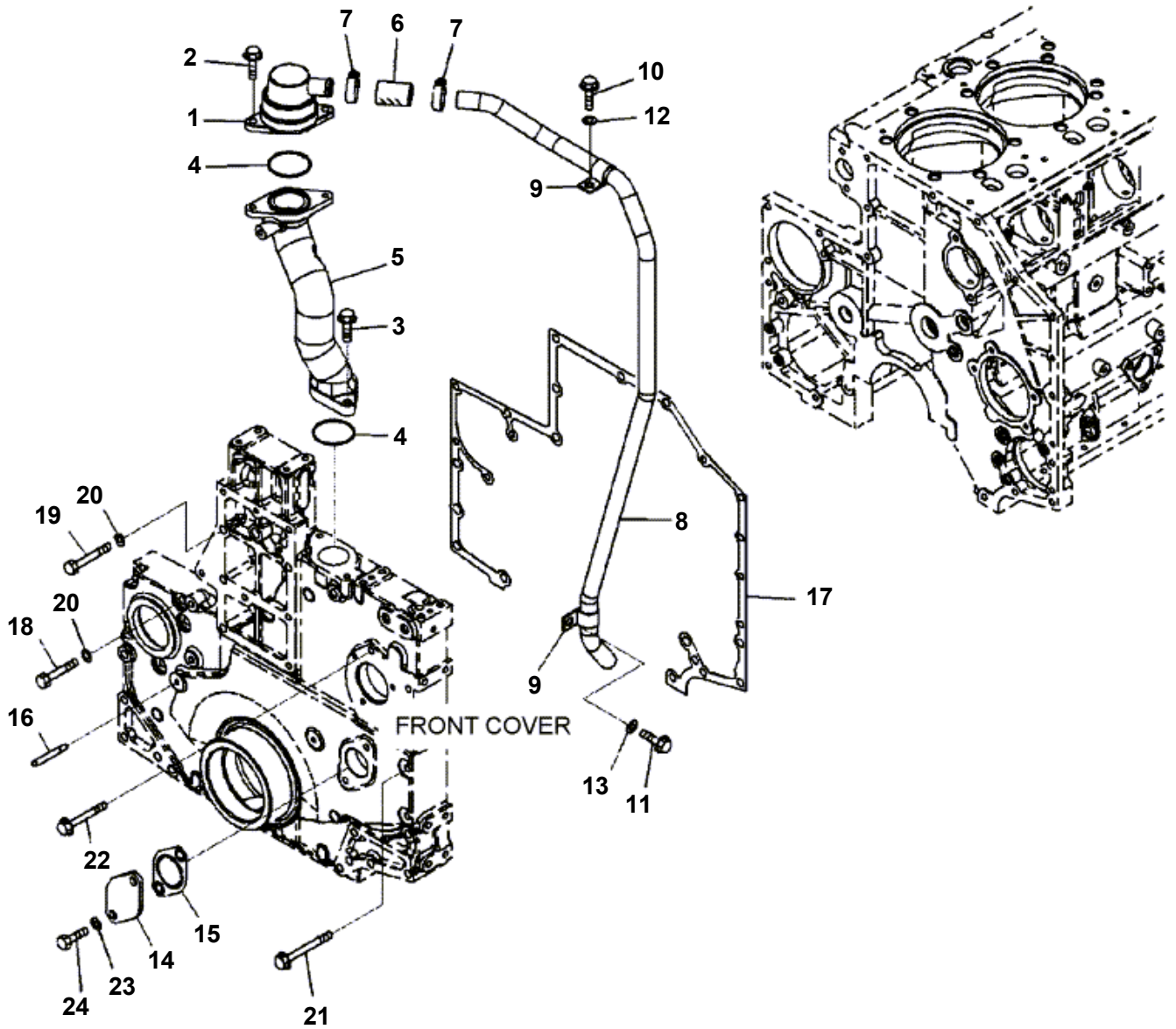
ITEM NO.	PART NO.	DESCRIPTION	Q'TY
	6210-41-2320	LEVER ASSEMBLY	12
1	(NSS)	· LEVER, ROD	1
2	(NSS)	· SOCKET	1
3	(NSS)	· ROLLER, CAM	1
4	(NSS)	· PIN	1
	6210-41-2400	SHAFT ASSEMBLY	6
5	(NSS)	· SHAFT	1
6	6150-81-8420	· BALL	1
7	04064-02212	RING, SNAP	24
8	6210-41-2450	BOLT	12
9	6150-41-2430	PIN	12
10	6210-41-3120	ROD, PUSH	12



HM350-2 S/N A11001-UP  
**A1109-B8A2 ROCKER LEVER SHAFT ASSEMBLY**

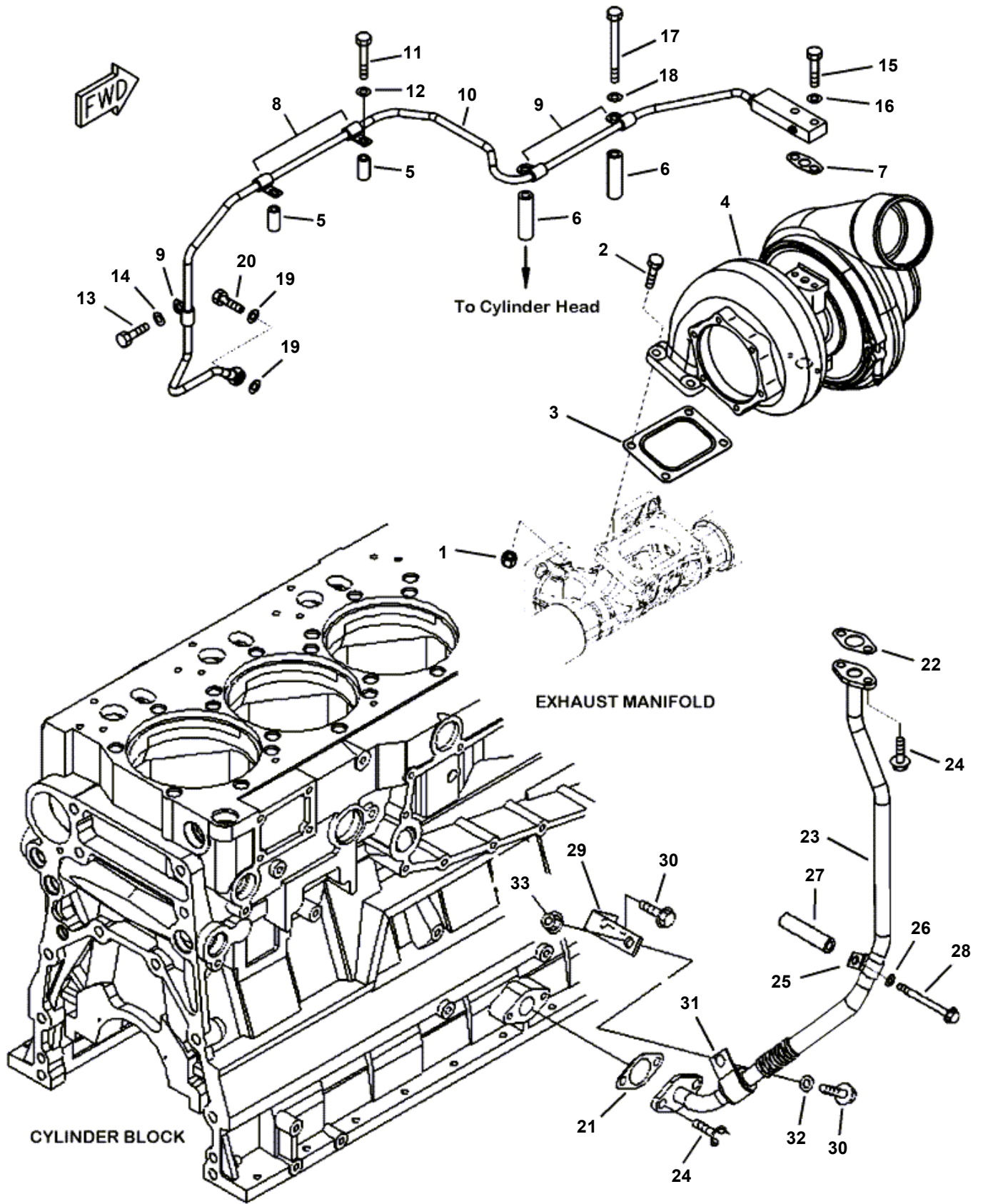
ITEM NO.	PART NO.	DESCRIPTION	Q'TY
	6261-41-5040	ARM ASSEMBLY, INTAKE	6
1	6261-41-5400 (NSS)	· ARM ASSEMBLY	1
		· · ARM, ROCKER	1
2	6261-41-5420	· · BUSHING	1
3	6162-43-5340	· · RIVET	1
4	04260-00317	· · BALL, STEEL	1
5	6217-41-5550	· SCREW	1
6	01582-01008	· NUT	1
	6261-41-5050	ARM ASSEMBLY, EXHAUST	6
7	6261-41-5500 (NSS)	· ARM ASSEMBLY	1
		· · ARM, ROCKER	1
8	6261-41-5520	· · BUSHING	1
9	04260-00317	· · BALL, STEEL	1
10	6217-41-5550	· SCREW	1
11	01582-01008	· NUT	1
12	6934-42-5300 (NSS)	SHAFT ASSEMBLY	6
		· SHAFT, ARM	1
13	04260-00635	· BALL	1
14	6261-41-5530	BRACKET	6
15	6210-41-5440	COLLAR	6
16	04020-00514	PIN, DOWEL	6
17	04020-00514	PIN, DOWEL	12
18	6217-41-5540	SPACER	6
19	6217-41-5570	BOLT	6
20	6217-41-5560	BOLT	6
21	6217-81-8311	BOLT	6
22	01643-51232	WASHER	6

FIG A1115-B8A2 A1115-B8A2 BREATHER PIPING AND FRONT GEAR TRAIN COVER MOUNTING



## A1115-B8A2 BREATHER PIPING AND FRONT GEAR TRAIN COVER MOUNTING

ITEM NO.	PART NO.	DESCRIPTION	Q'TY
1	6212-25-8710	BREATHER	1
2	01435-01025	BOLT	2
3	01435-01035	BOLT	2
4	07000-72060	O-RING	2
5	6261-21-8610	CONNECTOR	1
6	6141-64-7841	HOSE	1
7	07281-00419	CLAMP	2
8	6261-21-8770	TUBE, BREATHER	1
9	154-04-12420	CLAMP	2
N/I	150-04-12320	TUBE	1
10	01435-01020	BOLT	1
11	01435-01225	BOLT	1
12	01643-31032	WASHER	1
13	01643-31232	WASHER	1
14	6251-21-3211	PLATE	1
15	6251-21-3231	GASKET	1
16	6210-22-3910	POINTER	1
17	6217-21-3251	GASKET	1
18	01010-81275	BOLT	1
19	01010-81290	BOLT	7
20	01643-31232	WASHER	8
21	01011-81010	BOLT	1
22	01435-01090	BOLT	3
23	6251-21-3250	GASKET	2
24	01050-81225	BOLT	2

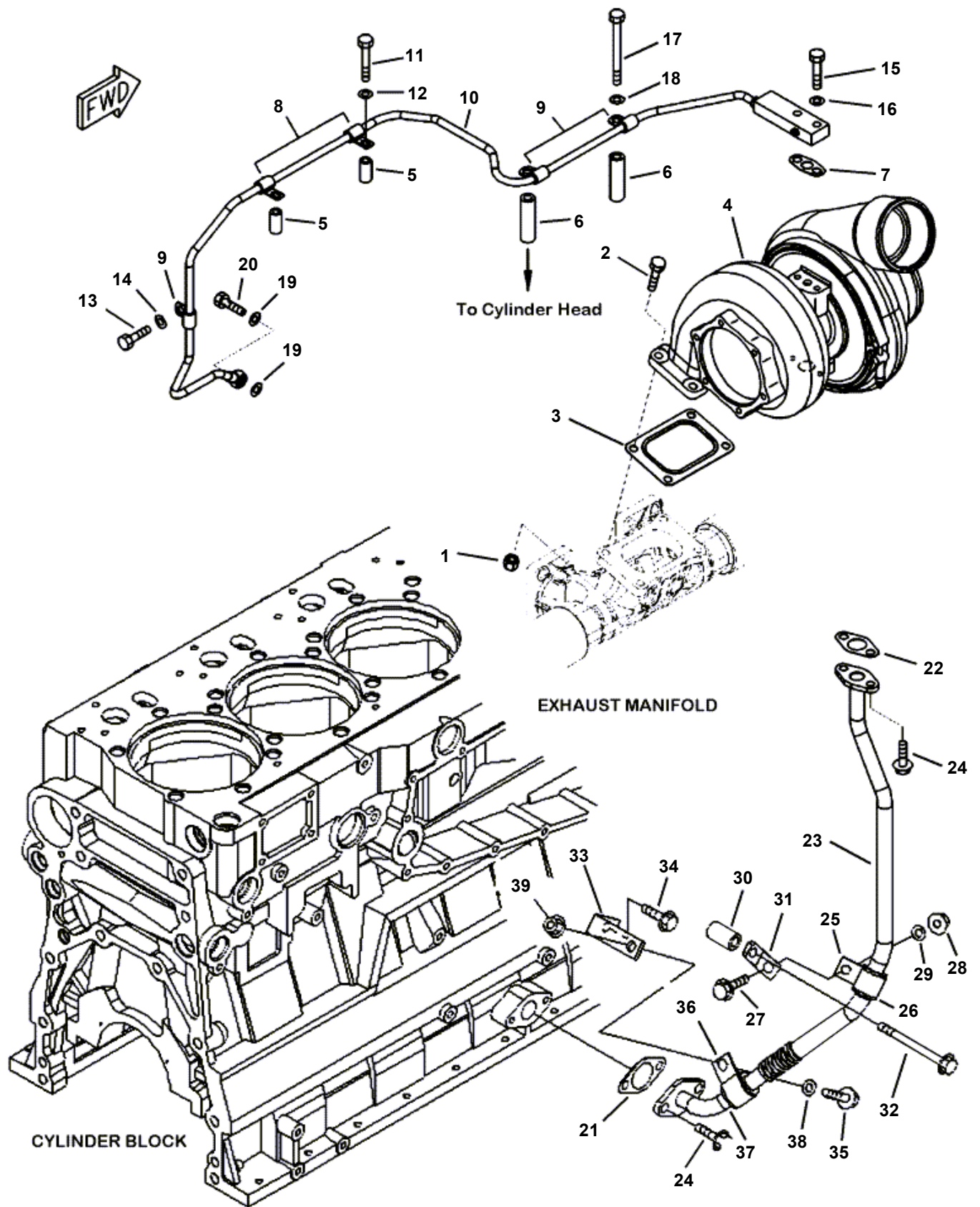


**HM350-2 S/N A11001-UP**  
**A1120-B8A2 TURBOCHARGER PIPING ENGINE S/N 530008-534892**

ITEM NO.	PART NO.	DESCRIPTION	Q'TY	REF
1	6114-11-5590	NUT	4	
2	6138-13-4510	BOLT	4	
3	6261-11-5850	GASKET	1	
4		TURBOCHARGER (SEE FIG. A1203-B8A1 )		
5	207-62-32890	COLLAR	2	
6	6136-11-5120	SPACER	2	
7	6151-51-8161	GASKET	1	
8	6215-71-4930	CLAMP	2	
9	6215-71-4940	CLAMP	3	
10	6261-51-8180	TUBE, SUPPLY	1	
11	01010-80850	BOLT	2	
12	01643-30823	WASHER	2	
13	01010-81020	BOLT	1	
14	01643-31032	WASHER	1	
15	01010-81035	BOLT	2	
16	01643-31032	WASHER	2	
17	01010-81090	BOLT	2	
18	01643-31032	WASHER	2	
19	07005-01412	GASKET	2	
20	07206-31014	BOLT, JOINT	1	
21	6127-51-6822	GASKET	1	
22	6151-51-8151	GASKET	1	
23	6261-51-8120	TUBE, RETURN	1	
24	01435-01025	BOLT	4	
25	04434-51910	CLIP	1	F1
26	01643-31032	WASHER	1	
27	6150-71-7130	COLLAR	1	F1
28	01436-01000	BOLT	1	F1
29	6261-51-8140	BRACKET	1	F1
30	01435-01025	BOLT	2	F2
31	04434-51910	CLIP	1	F1
32	01643-31032	WASHER	1	
33	01584-01008	NUT	1	
		F2 - FOR MACHINES WITH ENGINE SERIAL NUMBERS 530008-532749.		



FIG A1120-B8A4 A1120-B8A4 TURBOCHARGER PIPING ENGINE S/N 534893-



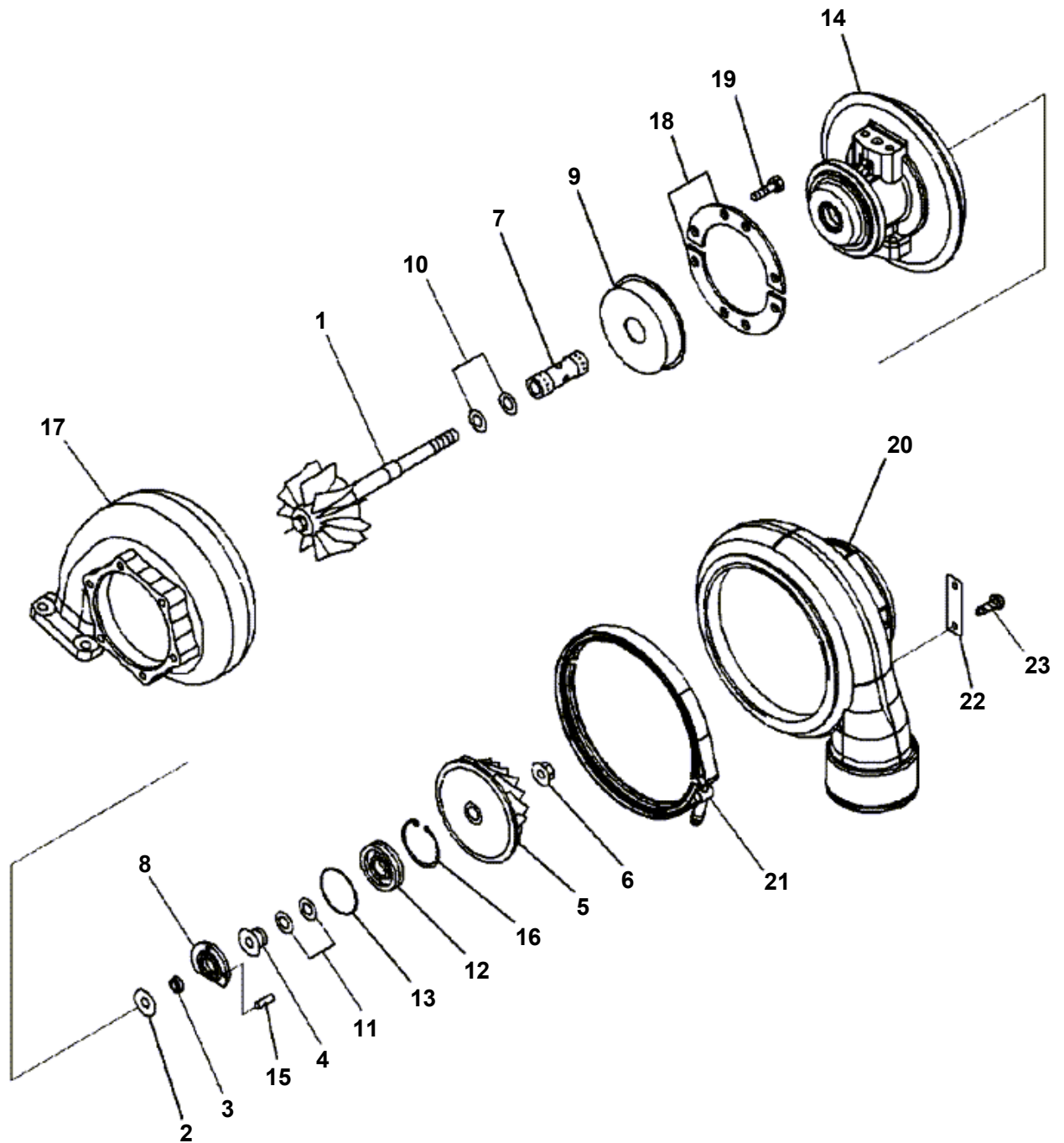
**HM350-2 S/N A11001-UP  
A1120-B8A4 TURBOCHARGER PIPING ENGINE S/N 534893-**

ITEM NO.	PART NO.	DESCRIPTION	Q'TY	REF
1	6114-11-5590	NUT	4	
2	6138-13-4510	BOLT	4	
3	6261-11-5850	GASKET	1	
4		TURBOCHARGER (SEE FIG. A1203-B8A1)		
5	207-62-32890	COLLAR	2	
6	6136-11-5120	SPACER	2	
7	6151-51-8161	GASKET	1	
8	6215-71-4930	CLAMP	2	
9	6215-71-4940	CLAMP	3	
10	6261-51-8180	TUBE, SUPPLY	1	
11	01010-80850	BOLT	2	
12	01643-30823	WASHER	2	
13	01010-81020	BOLT	1	
14	01643-31032	WASHER	1	
15	01010-81035	BOLT	2	
16	01643-31032	WASHER	2	
17	01010-81090	BOLT	2	
18	01643-31032	WASHER	2	
19	07005-01412	GASKET	2	
20	07206-31014	BOLT, JOINT	1	
21	6127-51-6822	GASKET	1	
22	6151-51-8151	GASKET	1	
23	6261-51-8120	TUBE, RETURN	1	
24	01435-01025	BOLT	4	
25	04434-52711	CLIP	1	F1
26	6261-51-8370	CUSHION	1	F1
27	01435-01025	BOLT	1	F1
28	01584-01008	NUT	1	F1
29	01643-31032	WASHER	1	
30	6142-22-4640	SPACER	1	F1
31	6261-51-8340	BRACKET	1	F1
32	01435-01055	BOLT	1	F1
33	6261-51-8350	BRACKET	1	F1
34	01435-01020	BOLT	1	F2
35	01435-01025	BOLT	1	F2
36	04434-52711	CLIP	1	F1
37	6261-51-8370	CUSHION	1	F1
38	01643-31032	WASHER	1	
39	01584-01008	NUT	1	

F2 - FOR MACHINES WITH ENGINE SERIAL NUMBERS 532750 AND UP.  
F2 - FOR MACHINES WITH ENGINE SERIAL NUMBERS 532750 AND UP.

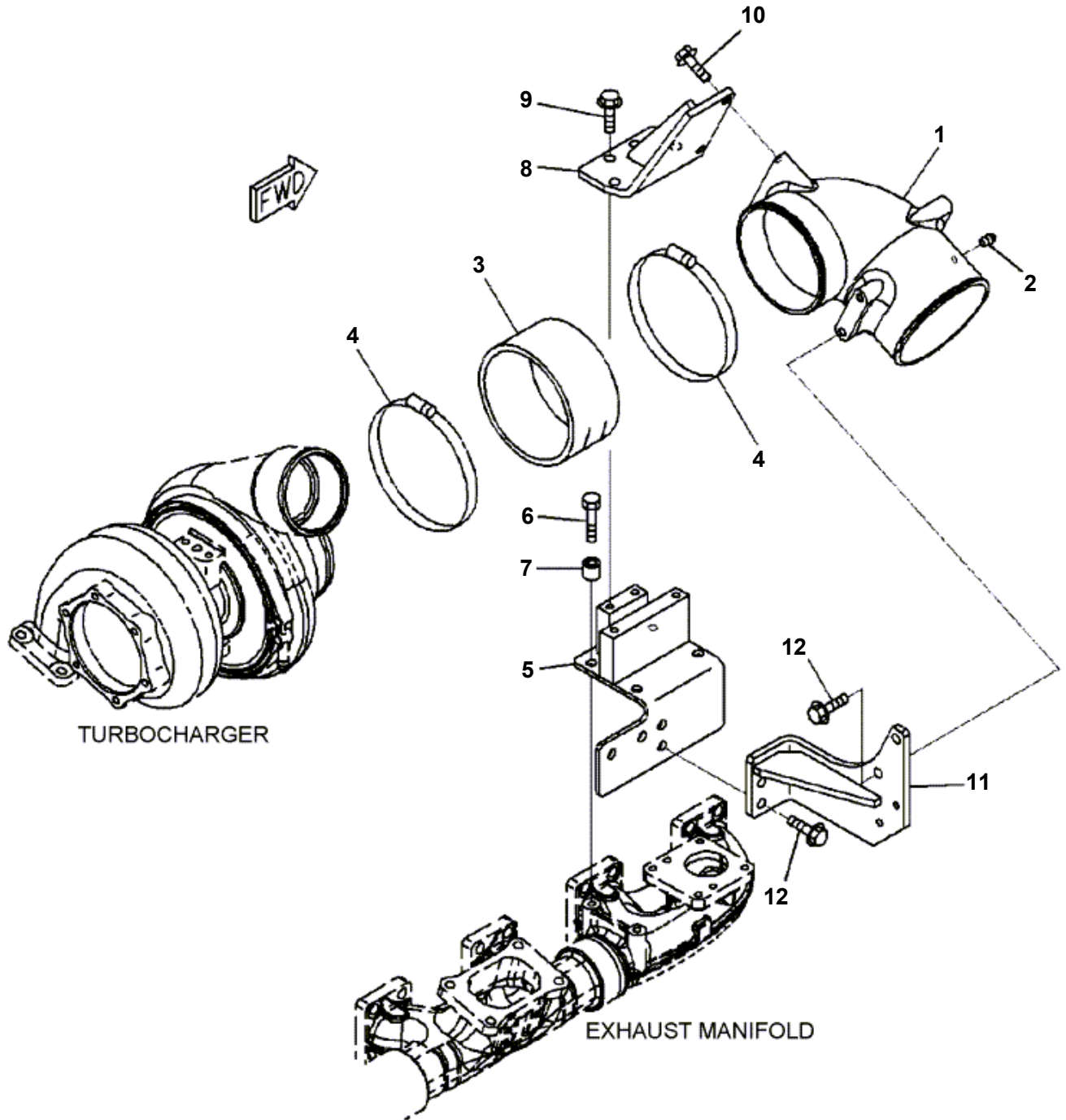
FIG A1203-B8A1

A1203-B8A1 TURBOCHARGER



**HM350-2 S/N A11001-UP  
A1203-B8A1 TURBOCHARGER**

ITEM NO.	PART NO.	DESCRIPTION	Q'TY	REF
	6505-71-5020	TURBOCHARGER, (KTR110M-532A)	1	
	6505-71-5920	· CORE ASSEMBLY	1	
1	(NSS)	· · ROTOR, TURBINE	1	F1
2	(NSS)	· · PLATE	1	F1
3	(NSS)	· · SPACER	1	F1
4	(NSS)	· · FLINGER	1	F1
5	(NSS)	· · IMPELLER, BLOWER	1	F1
6	(NSS)	· · NUT	1	F1
7	(NSS)	· · BEARING, JOURNAL	1	F1
8	(NSS)	· · BEARING, THRUST	1	F1
9	(NSS)	· · SHIELD, HEAT	1	F1
10	(NSS)	· · RING	2	F1
11	(NSS)	· · RING	2	F1
12	(NSS)	· · INSERT	1	F1
13	(NSS)	· · O-RING	1	F1
14	(NSS)	· · HOUSING, CENTER	1	F1
15	(NSS)	· · PIN, DOWEL	1	F1
16	(NSS)	· · RING, SNAP	1	F1
17	6505-71-4910	· HOUSING, TURBINE	1	
18	6505-11-0520	· PLATE	2	
19	01020-01016	· BOLT	8	
20	6505-71-2030	· HOUSING, BLOWER	1	
21	6505-11-0450	· V-BAND	1	
22	(NSS)	· PLATE, NAME	1	
23	04418-02550	· SCREW	2	
		F1 - THIS PART IS SUPPLIED AS PART OF THE ASSEMBLY. HOWEVER, IT IS AVAILABLE AS AN INDIVIDUAL PART TO AUTHORIZED DISTRIBUTORS ONLY.		

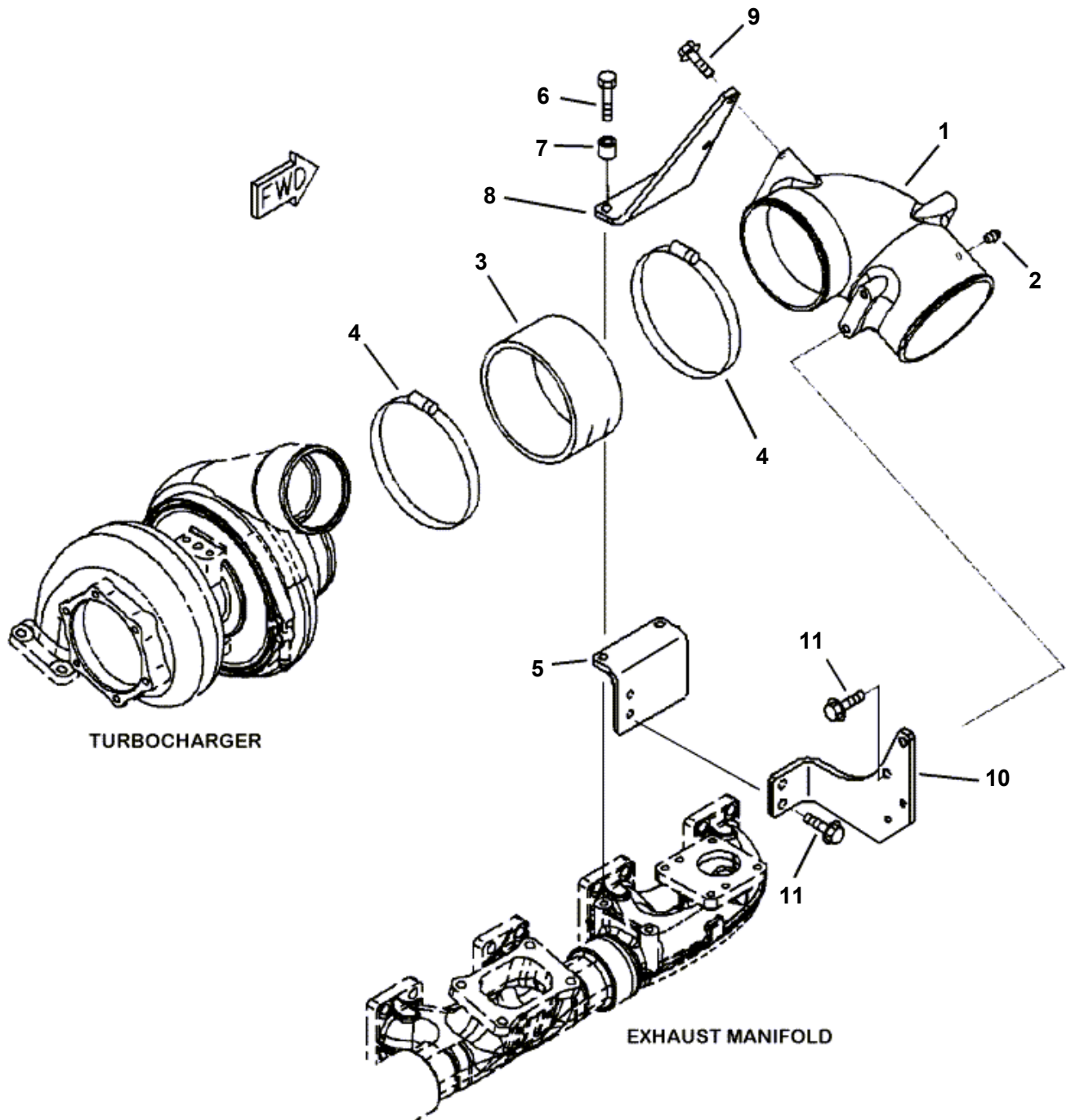


HM350-2 S/N A11001-UP

**A1204-B8A1 AIR INTAKE CONNECTION ENGINE S/N 530008-533486**

ITEM NO.	PART NO.	DESCRIPTION	Q'TY	REF
1	6261-11-4370	CONNECTOR, AIR	1	
2	07042-A0108	PLUG	1	
3	6218-11-4320	HOSE	1	
4	07289-00160	CLAMP, HOSE	2	
5	6261-11-4710	BRACKET	1	F1
6	01010-E1040	BOLT	4	
7	6631-11-5630	SPACER	4	
8	6261-11-4930	BRACKET	1	F1
9	01010-81025	BOLT	4	F2
		OR		
9	01435-01025	BOLT	4	F3
10	01435-01040	BOLT	2	F4
11	6261-11-4720	BRACKET	1	F1
12	01435-01025	BOLT	4	
		F4 - FOR MACHINES WITH ENGINE SERIAL NUMBERS 530008-532749.		

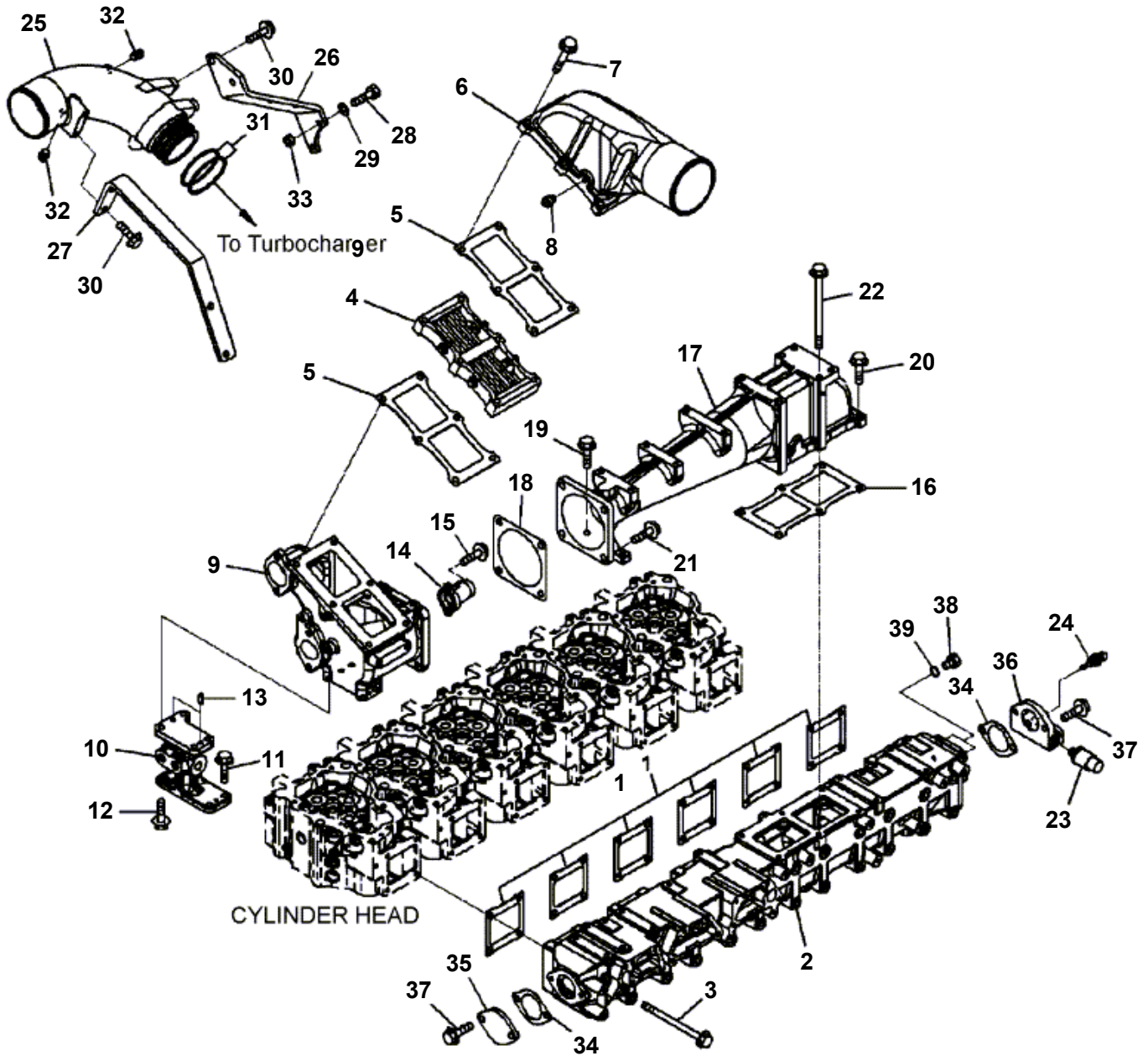
FIG A1204-B8A2 A1204-B8A2 AIR INTAKE CONNECTION ENGINE S/N 533487-



**HM350-2 S/N A11001-UP**  
**A1204-B8A2 AIR INTAKE CONNECTION ENGINE S/N 533487-**

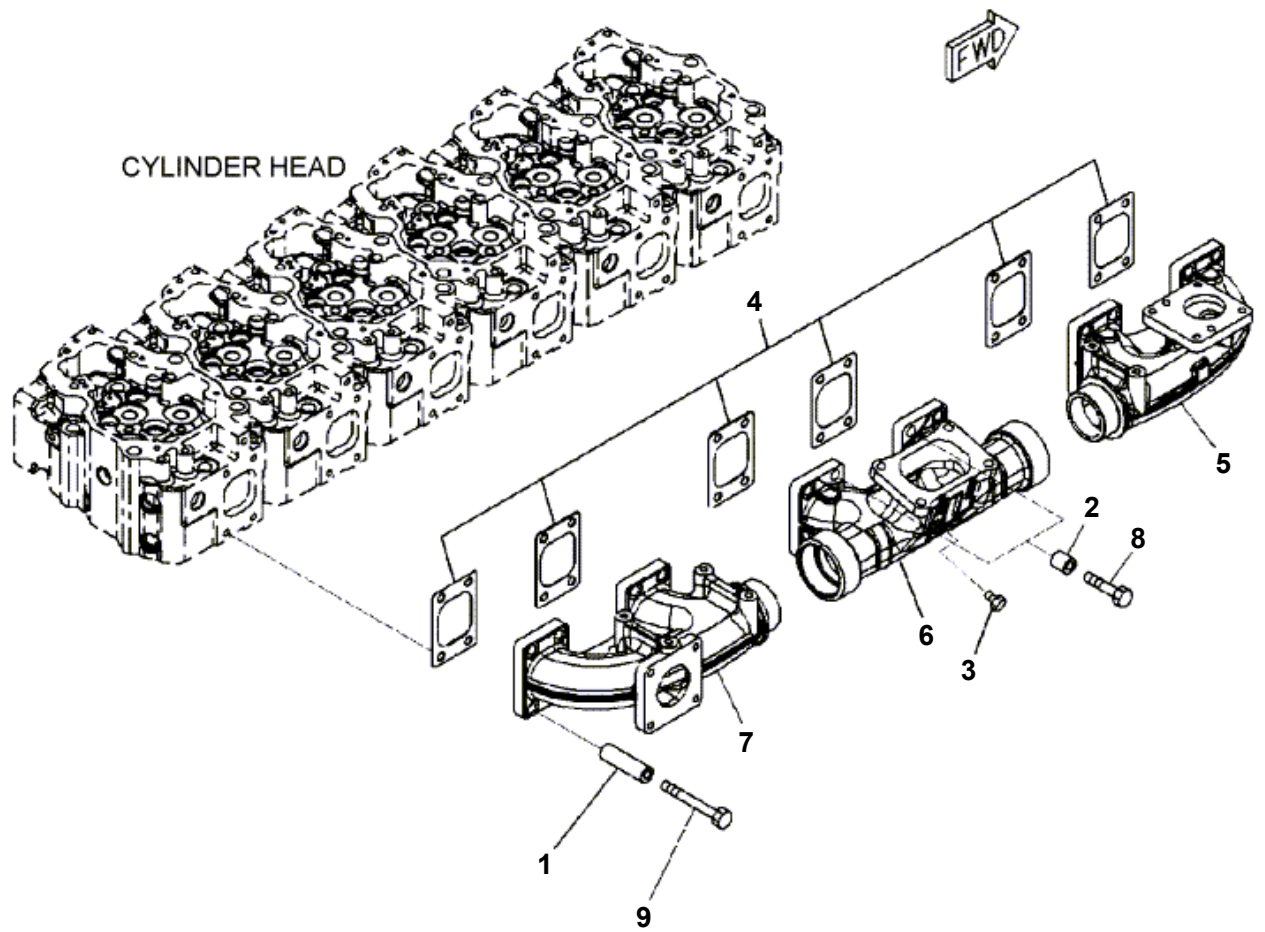
ITEM NO.	PART NO.	DESCRIPTION	Q'TY	REF
1	6261-11-4370	CONNECTOR, AIR	1	
2	07042-A0108	PLUG	1	
3	6218-11-4320	HOSE	1	
4	07289-00160	CLAMP, HOSE	2	
5	6261-11-6850	BRACKET	1	F1
6	01010-E1040	BOLT	4	
7	6631-11-5630	SPACER	4	
8	6261-11-6870	BRACKET	1	F1
9	01435-01035	BOLT	2	F2
10	6261-11-6860	BRACKET	1	F1
11	01435-01025	BOLT	4	
		F2 - FOR MACHINES WITH ENGINE SERIAL NUMBERS 532750 AND UP.		





**HM350-2 S/N A11001-UP  
A1206-B8A1 AIR INTAKE MANIFOLD**

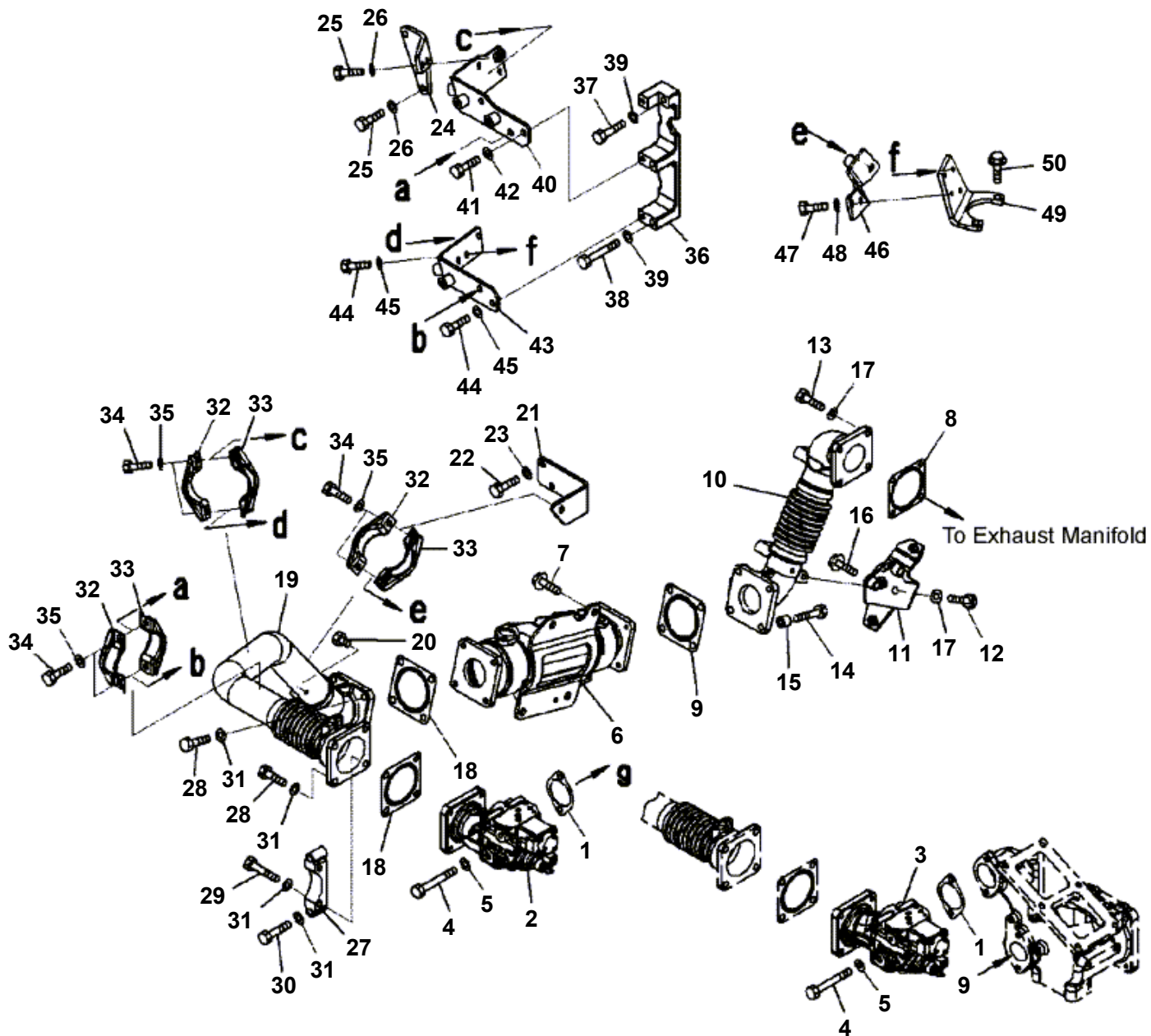
ITEM NO.	PART NO.	DESCRIPTION	Q'TY
1	6210-11-4811	GASKET	6
2	6261-11-4111	MANIFOLD, AIR INTAKE	1
3	01436-01070	BOLT	20
4	600-815-4280	HEATER, RIBBON	1
5	6211-11-4821	GASKET	2
6	6261-11-4310	CONNECTOR, AIR	1
7	01435-01070	BOLT	4
8	07042-A0108	PLUG	1
9	6261-11-7210	HOUSING, AIR JUNCTION	1
10	6261-11-7220	BRACKET	1
11	01435-01025	BOLT	4
12	01435-01030	BOLT	4
13	04020-00820	PIN, DOWEL	2
14	6261-11-2130	NOZZLE, VENTURI	1
15	01437-10816	BOLT	2
16	6211-11-4821	GASKET	1
17	6261-11-7410	CONNECTOR, AIR INTAKE	1
18	6261-11-7450	GASKET	1
19	01435-01030	BOLT	2
20	01435-01035	BOLT	2
21	01435-01235	BOLT	4
22	01436-01080	BOLT	2
23	6560-61-7201	SENSOR, BOOST PRESSURE	1
N/I	(NSS)	· SENSOR	1
	6216-54-6320	· O-RING	1
24	6560-61-7300	SENSOR, INTAKE AIR TEMPERATURE	1
N/I	(NSS)	· SENSOR	1
	6735-21-1930	· O-RING	1
25	6218-11-4420	CONNECTOR	1
26	6218-11-4491	BRACKET	1
27	6261-11-4540	BRACKET	1
28	01020-11035	BOLT, STAINLESS	2
29	01643-51032	WASHER	2
30	01435-01030	BOLT	4
31	02895-77075	O-RING	2
32	07042-A0108	PLUG	2
33	21T-72-14930	BOSS	1
34	6212-61-6662	GASKET	2
35	6215-61-6670	PLATE	1
36	6261-11-4130	BLOCK, SENSOR	1
37	01435-01030	BOLT	2
38	07040-11409	PLUG	2
39	07002-21423	O-RING	2



**HM350-2 S/N A11001-UP**  
**A1209-B8A1 EXHAUST MANIFOLD**

ITEM NO.	PART NO.	DESCRIPTION	Q'TY
1	6136-11-5120	SPACER	22
2	6210-11-5820	SPACER	2
3	6215-11-5920	PLUG	1
4	6261-11-5880	GASKET	6
5	6261-11-5110	MANIFOLD, FRONT	1
6	6261-11-5220	MANIFOLD, CENTER	1
7	6261-11-5130	MANIFOLD, REAR	1
8	01010-E1055	BOLT	2
9	01011-E1000	BOLT	22

FIG A1216-B8A1 A1216-B8A1 EXHAUST GAS RECIRCULATION (EGR) (1/7)  
ENGINE S/N 530008-530698



HM350-2 S/N A11001-UP  
**A1216-B8A1 EXHAUST GAS RECIRCULATION (EGR) (1/7) ENGINE S/N  
530008-530698**

ITEM NO.	PART NO.	DESCRIPTION	Q'TY	REF
1	6166-61-6341	GASKET	2	
2	6261-41-4900	VALVE ASSEMBLY	1	
3	6261-41-9500	VALVE ASSEMBLY	1	
4	01011-E1005	BOLT	4	
5	01643-31032	WASHER	4	
6	6261-61-7110	COOLER ASSEMBLY	1	
7	01435-01220	BOLT	4	
8	6138-13-4240	GASKET	1	
9	6207-11-5390	GASKET	1	
10	6261-11-9120	TUBE	1	
11	6261-11-9150	BRACKET	1	
12	01020-11025	BOLT, STAINLESS	2	
13	01020-11040	BOLT, STAINLESS	4	
14	01020-11050	BOLT, STAINLESS	4	
15	6631-11-5630	SPACER	4	
16	01435-01035	BOLT	2	
17	01643-31032	WASHER	6	
18	6207-11-5390	GASKET	2	
19	6261-11-9421	TUBE	1	F1
20	6215-11-5920	PLUG	1	
21	6261-11-9950	BRACKET	1	
22	01010-E1020	BOLT	2	
23	01643-31032	WASHER	2	
24	6261-11-9940	BRACKET	1	
25	01010-E1030	BOLT	4	
26	01643-31032	WASHER	4	
27	6261-11-9220	PLATE	1	
28	01020-11030	BOLT, STAINLESS	6	
29	01020-11060	BOLT, STAINLESS	2	
30	01010-E1050	BOLT	2	
31	01643-31032	WASHER	10	
32	6261-11-9870	CLAMP	3	
33	6261-11-9880	CLAMP	3	
34	01010-E1025	BOLT	6	
35	01643-31032	WASHER	6	
36	6261-11-9740	BRACKET	1	
37	01010-E1050	BOLT	1	
38	01010-E1080	BOLT	2	
39	01643-31032	WASHER	3	
40	6261-11-9930	BRACKET	1	
41	01010-E1025	BOLT	1	
42	01643-31032	WASHER	1	
43	6261-11-9730	BRACKET	1	
44	01010-E1025	BOLT	3	
45	01643-31032	WASHER	3	
46	6261-11-9760	BRACKET	1	
47	01010-E1025	BOLT	2	
48	01643-31032	WASHER	2	
49	6261-11-9960	BRACKET	1	
50	01435-01035	BOLT	2	
		F1 - FOR MACHINES WITH ENGINE SERIAL NUMBERS 530008-530698.		



**Download the full PDF manual instantly.**

**Our customer service e-mail:**

**[aservicemanualpdf@yahoo.com](mailto:aservicemanualpdf@yahoo.com)**