

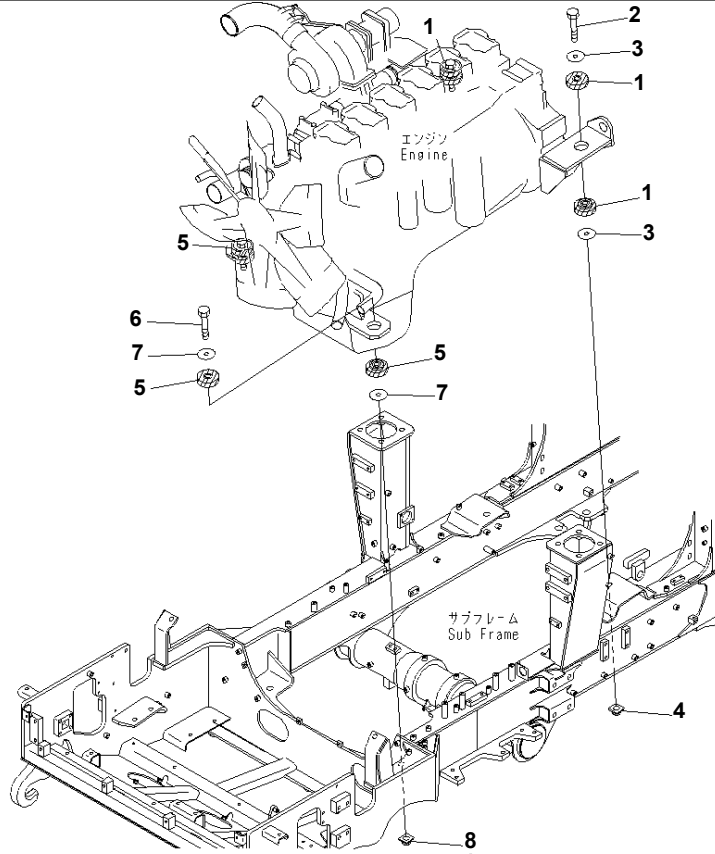
HM350-2 S/N 2001-UP (ecot3)
HM350-2 S/N 2001-UP (ecot3)

Item	Part Name
	SAA6D140E-5E-01 S/N 530001-UP
B0	ENGINE RELATED PARTS
C0	COOLING SYSTEM
D0	FUEL TANK AND RELATED PARTS
E0	ELECTRICAL SYSTEM
F0	POWER TRAIN
H0	HYDRAULIC SYSTEM
J0	MAIN FRAME AND RELATED PARTS
K0	OPERATOR'S COMPARTMENT AND CONTROL SYSTEM
M0	GUARD
S0	RIM AND TIRE
T0	BODY
U0	MARKS AND PLATES
V0	TOOL
W0	MISCELLANEOUS
Y0	SERVICE KIT AND COMPONENT PARTS

HM350-2 S/N 2001-UP (ecot3)
ENGINE RELATED PARTS

Item	Part Name	Qty
10	ENGINE MOUNTING	1
20	ENGINE HOSE	1
30	ENGINE PIPING (EXHAUST)	1
40	ENGINE PIPING (AIR INTAKE)	1
50	AIR CONDITIONER AND HEATER (HEATER PIPING)	1
60	AIR CONDITIONER AND HEATER (AIR COMPRESSOR AND RELATED PARTS)(#2001-2177)	1
70	AIR CONDITIONER AND HEATER (AIR COMPRESSOR AND RELATED PARTS)(#2178-)	1
80	AIR CONDITIONER AND HEATER (AIR COMPRESSOR AND RELATED PARTS) (FOR EU SAFETY REGULATION)(#2219-)	1
90	DAMPER(#2001-2143)	1
100	DAMPER(#2144-)	1

HM350-2 S/N 2001-UP (ecot3)
00048018



00048018

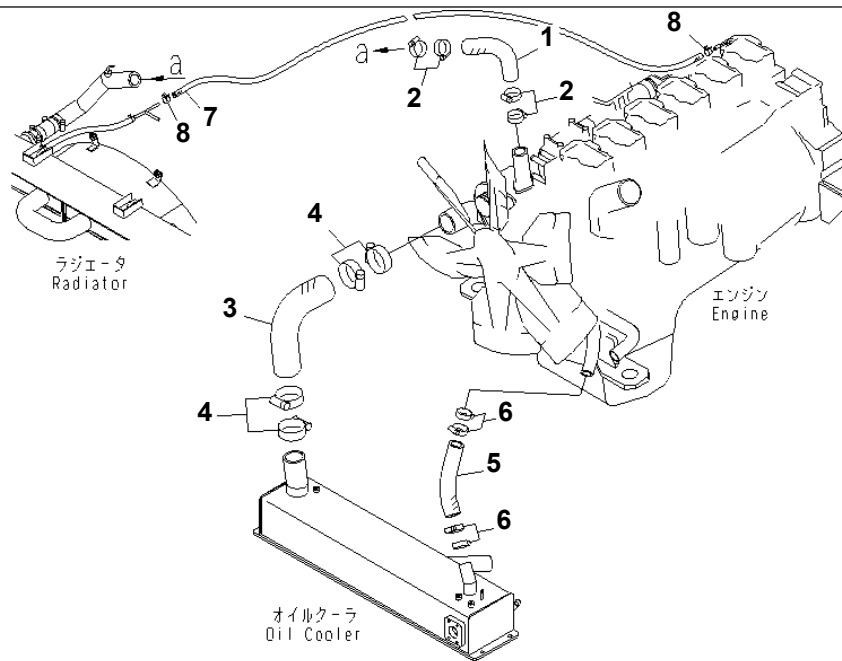
Ref. B0100-01A0

Page 030010

HM350-2 S/N 2001-UP (ecot3)
ENGINE MOUNTING

Item	Part No.	Part Name	Qty	Serial No.
1	425-01-11350	CUSHION	4	2001-
2	01011-62225	BOLT	2	2001-
3	424-01-11220	WASHER	4	2001-
4	425-01-11250	PLATE	2	2001-
5	425-01-11370	CUSHION	4	2001-
6	01011-62225	BOLT	2	2001-
7	424-01-11220	WASHER	4	2001-
8	425-01-11250	PLATE	2	2001-

HM350-2 S/N 2001-UP (ecot3)
00048019



00048019

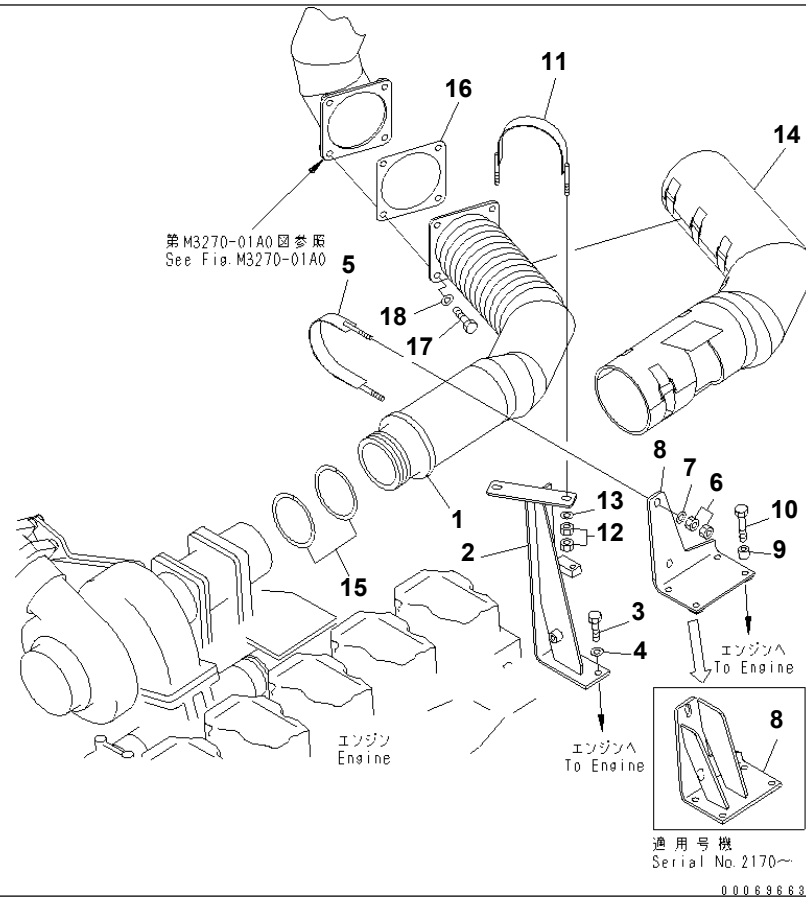
Ref. B0110-01A0

Page 030020

HM350-2 S/N 2001-UP (ecot3)
ENGINE HOSE

Item	Part No.	Part Name	Qty	Serial No.
1	56B-03-21610	HOSE	1	2001-
2	07299-00070	CLAMP	4	2001-
3	56B-03-21620	HOSE	1	2001-
4	07299-00105	CLAMP	4	2001-
5	56B-03-21530	HOSE	1	2001-
6	07299-00055	CLAMP	4	2001-
7	09483-10315	HOSE	1	2001-
8	11Y-09-11140	CLIP	2	2001-

HM350-2 S/N 2001-UP (ecot3)
00069663



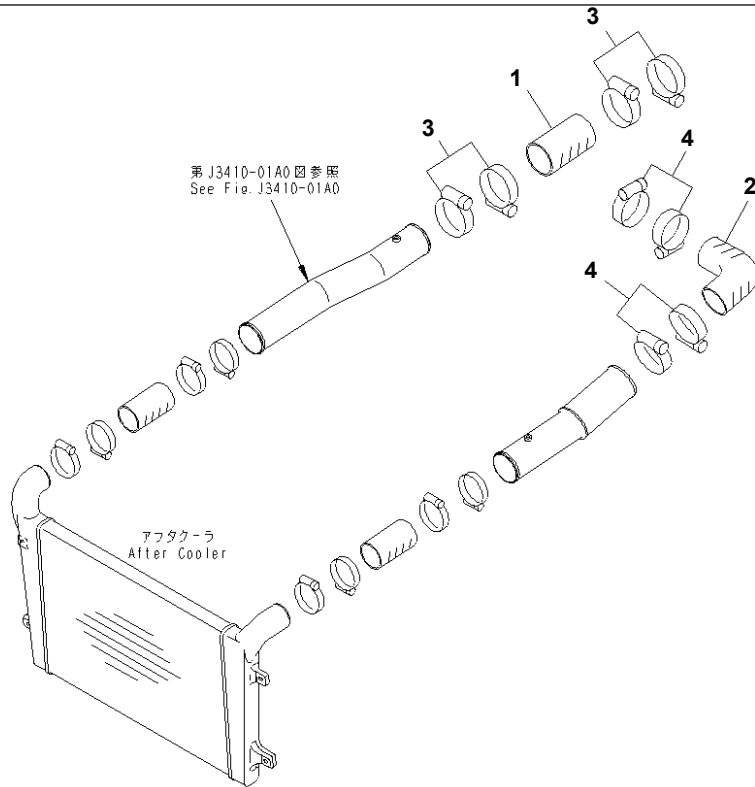
Ref. B0130-01A0

Page 030030

HM350-2 S/N 2001-UP (ecot3)
ENGINE PIPING (EXHAUST)

Item	Part No.	Part Name	Qty	Serial No.
1	56B-02-21712	TUBE	1	2079-
	□56B-02-21711	TUBE	1	2001-2078
2	56B-02-21122	BRACKET	1	2001-
3	01010-81025	BOLT	2	2001-
4	01643-31032	WASHER	2	2001-
5	56B-02-21810	CLAMP	1	2001-
6	01580-11008	NUT	4	2001-
7	01643-31032	WASHER	2	2001-
8	56B-02-21791	BRACKET	1	2001-
	(☒)56B-02-21790	BRACKET	1	(2001-2169)
9	56B-02-22170	SPACER	4	2157-
	□6631-11-5630	SPACER	4	2001-2156
10	01010-E1040	BOLT	4	2001-
11	56B-02-21810	CLAMP	1	2001-
12	01580-11008	NUT	4	2001-
13	01643-31032	WASHER	2	2001-
14	56B-02-21723	COVER	1	2219-
	□56B-02-21722	COVER	1	2001-2218
15	566-02-81160	RING	2	2001-
16	56B-02-11591	GASKET	1	2001-
17	01010-81030	BOLT	4	2001-
18	01643-31032	WASHER	4	2001-

HM350-2 S/N 2001-UP (ecot3)
00049699



Ref. B0130-02A0

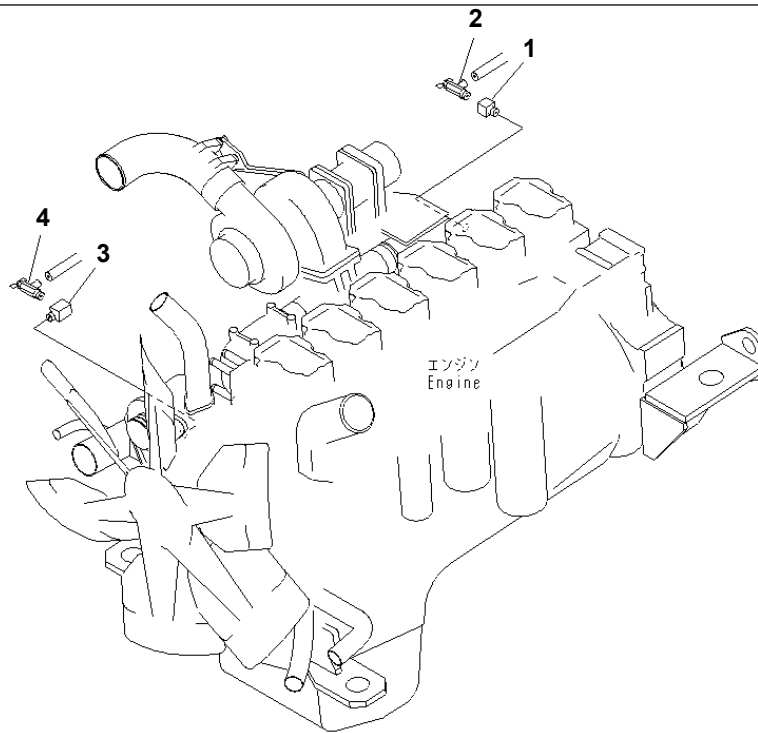
00049699

Page 030040

HM350-2 S/N 2001-UP (ecot3)
ENGINE PIPING (AIR INTAKE)

Item	Part No.	Part Name	Qty	Serial No.
1	56D-02-22290	HOSE	1	2001-
2	569-02-6E140	HOSE	1	2001-
3	569-02-82190	CLAMP	4	2062-
	07299-00105	CLAMP	4	2001-2061
4	569-02-82180	CLAMP	4	2062-
	07299-00120	CLAMP	4	2001-2061

HM350-2 S/N 2001-UP (ecot3)
00048110



00048110

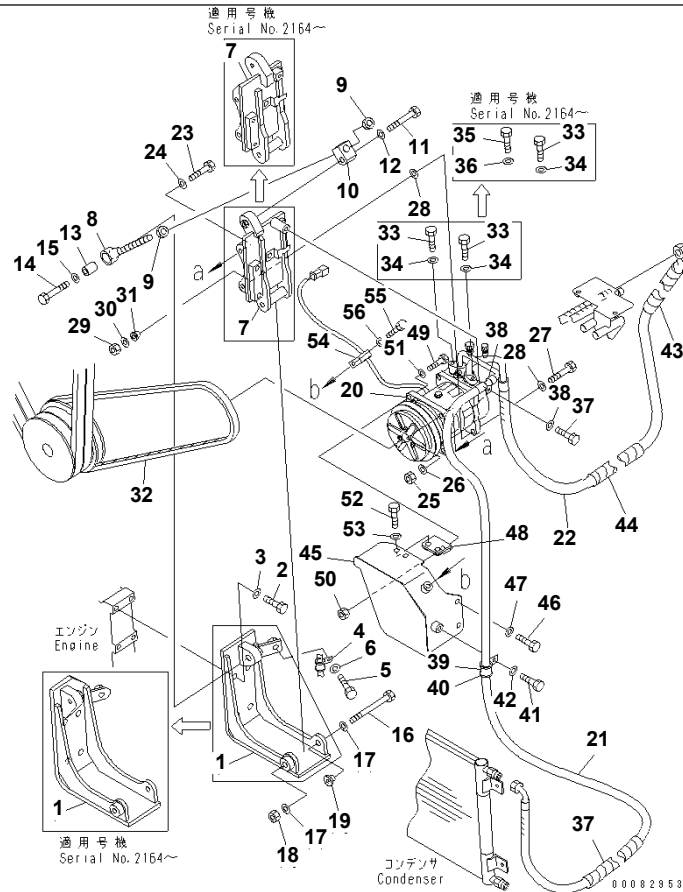
Ref. B0150-01A0

Page 030050

HM350-2 S/N 2001-UP (ecot3)
AIR CONDITIONER AND HEATER (HEATER PIPING)

Item	Part No.	Part Name	Qty	Serial No.
1	569-07-63340	ADAPTER	1	2001-
2	09482-20000	VALVE	1	2001-
3	561-07-45120	ELBOW	1	2001-
4	09482-20000	VALVE	1	2001-

HM350-2 S/N 2001-UP (ecot3)
00082953



Ref. B0150-02A0

Page 030060

HM350-2 S/N 2001-UP (ecot3)
AIR CONDITIONER AND HEATER (AIR COMPRESSOR AND RELATED PARTS)(#2001-2177)

Item	Part No.	Part Name	Qty	Serial No.
1	56B-07-22762	BRACKET	1	2001-@
	(☒56B-07-22761)	BRACKET	1	(2001-2163)
2	01010-81230	BOLT	4	2001-@
3	01643-31232	WASHER	4	2001-@
4	600-051-6120	CLIP	1	2115-@
	□6261-51-995A	CLIP	1	2001-2114
5	01010-81020	BOLT	1	2001-@
6	01643-31032	WASHER	1	2001-@
7	56B-07-22774	BRACKET	1	2001-@
	(☒56B-07-22772)	BRACKET	1	(2001-2163)
8	6240-81-8610	ROD	1	2001-@
9	01580-11613	NUT	2	2164-@
	01580-01613	NUT	2	2001-2163
10	6240-81-8670	PLATE	1	2001-@
11	01010-81275	BOLT	1	2001-@
12	01643-31232	WASHER	1	2001-@
13	6215-81-6150	PIN	1	2001-@
14	01010-81270	BOLT	1	2164-@
	01010-81275	BOLT	1	2001-2163
15	01643-31232	WASHER	1	2001-@
16	125-70-21210	BOLT	1	2001-@
17	01643-31232	WASHER	2	2001-@
18	01580-11210	NUT	1	2001-@
19	566-07-6A580	COLLAR	1	2001-@
	56B-07-22202	COMPRESSOR KIT	1	2164-@
	□56B-07-22201	COMPRESSOR KIT	1	2001-2163
20	425-S62-3321	・ COMPRESSOR ASS'Y	1	2001-@
21	56B-07-22923	・ HOSE	1	2164-@

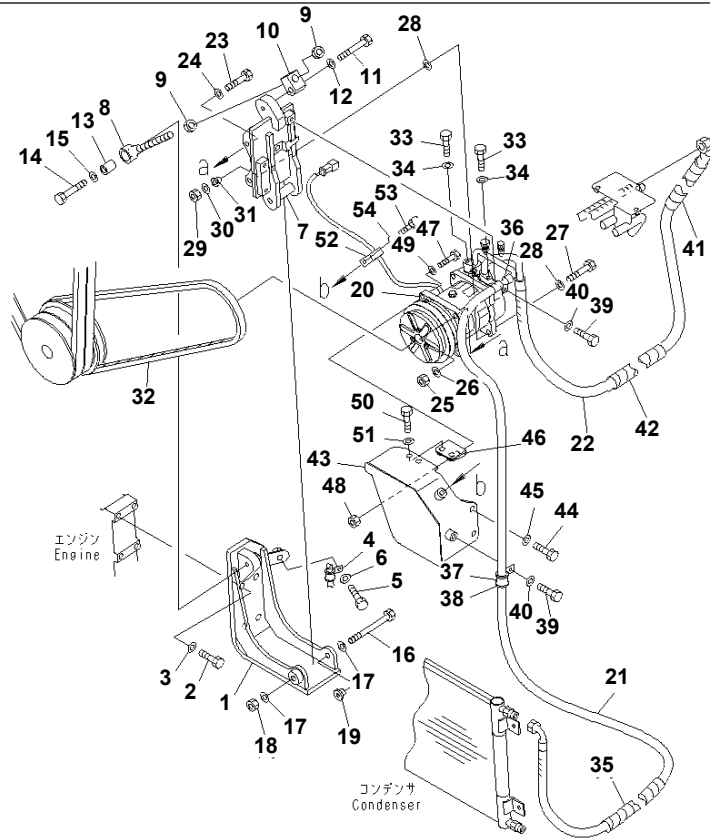
Reference: B0150-02A0

Page: 030060

HM350-2 S/N 2001-UP (ecot3)
AIR CONDITIONER AND HEATER (AIR COMPRESSOR AND RELATED PARTS)(#2001-2177)

Item	Part No.	Part Name	Qty	Serial No.
21	56B-07-22922	· HOSE	1	2001-2163
	AN51439-D0041	· · O-RING	1	2001-@
22	56B-07-23131	· HOSE	1	2164-@
	56B-07-23130	· HOSE	1	2001-2163
	AN51439-D0051	· · O-RING	1	2001-@
23	01010-81045	BOLT	2	2001-@
24	01643-31032	WASHER	2	2001-@
25	01580-11008	NUT	2	2164-@
	01580-01008	NUT	2	2001-2163
26	01643-31032	WASHER	2	2001-@
27	01010-81055	BOLT	2	2001-@
28	01643-31032	WASHER	2	2001-@
29	01580-11008	NUT	2	2164-@
	01580-01008	NUT	2	2001-2163
30	01643-31032	WASHER	4	2001-@
31	425-S62-3160	COLLAR	2	2001-@
32	04120-21734	V-BELT	1	2001-@
33	01010-80825	BOLT	1	2164-2177
	01010-80630	BOLT	2	2001-2163
34	01643-30823	WASHER	1	2164-2177
	01643-30623	WASHER	2	2001-2163
35	01010-80830	BOLT	1	2164-2177
36	01643-30823	WASHER	1	2164-2177
37	08017-B1905	CONDUIT	1	2001-@
38	04434-51210	CLIP	1	2001-@
39	04434-52512	CLIP	1	2001-@
40	566-06-41290	INSULATOR	1	2001-@
41	01010-81016	BOLT	2	2001-@
42	01643-31032	WASHER	2	2001-@
43	08210-02906	SPIRAL TUBE	1	2001-@
44	08210-02903	SPIRAL TUBE	1	2001-@
45	56B-07-22832	COVER	1	2001-@
46	01010-81020	BOLT	2	2001-@
47	01643-31032	WASHER	2	2001-@
48	56B-07-22890	BRACKET	1	2001-@
49	01010-81035	BOLT	1	2001-@
50	01580-11008	NUT	1	2001-@
51	01643-31032	WASHER	1	2001-@
52	01010-81020	BOLT	2	2001-@
53	01643-31032	WASHER	2	2001-@
54	04434-51010	CLIP	1	2001-@
55	01010-81016	BOLT	1	2001-@
56	01643-31032	WASHER	1	2001-@

HM350-2 S/N 2001-UP (ecot3)
00079696



00079696

Ref. B0150-02A0A

Page 030070

HM350-2 S/N 2001-UP (ecot3)
AIR CONDITIONER AND HEATER (AIR COMPRESSOR AND RELATED
PARTS)(#2178-)

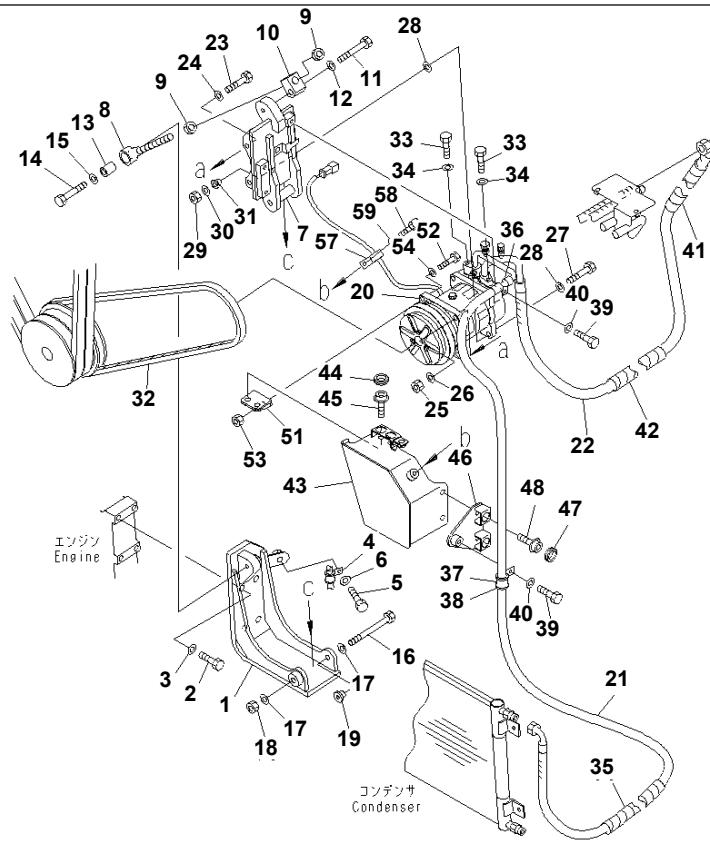
Item	Part No.	Part Name	Qty	Serial No.
1	56B-07-22762	BRACKET	1	2001-
2	01010-81230	BOLT	4	2001-
3	01643-31232	WASHER	4	2001-
4	600-051-6120	CLIP	1	2115-
5	01010-81020	BOLT	1	2001-
6	01643-31032	WASHER	1	2001-
7	56B-07-22774	BRACKET	1	2001-
8	6240-81-8610	ROD	1	2001-
9	01580-11613	NUT	2	2164-
10	6240-81-8670	PLATE	1	2001-
11	01010-81275	BOLT	1	2001-
12	01643-31232	WASHER	1	2001-
13	6215-81-6150	PIN	1	2001-
14	01010-81270	BOLT	1	2164-
15	01643-31232	WASHER	1	2001-
16	125-70-21210	BOLT	1	2001-
17	01643-31232	WASHER	2	2001-
18	01580-11210	NUT	1	2001-
19	566-07-6A580	COLLAR	1	2001-
	56B-07-22202	COMPRESSOR KIT	1	2164-
20	425-S62-3321	・ COMPRESSOR ASS'Y	1	2001-
21	56B-07-22923	・ HOSE	1	2164-
22	56B-07-23131	・ HOSE	1	2164-
23	01010-81045	BOLT	2	2001-
24	01643-31032	WASHER	2	2001-
25	01580-11008	NUT	2	2164-
26	01643-31032	WASHER	2	2001-
27	01010-81055	BOLT	2	2001-

Reference: B0150-02A0A

Page: 030070

HM350-2 S/N 2001-UP (ecot3)
AIR CONDITIONER AND HEATER (AIR COMPRESSOR AND RELATED PARTS)(#2178-)

Item	Part No.	Part Name	Qty	Serial No.
28	01643-31032	WASHER	2	2001-
29	01580-11008	NUT	2	2164-
30	01643-31032	WASHER	4	2001-
31	425-S62-3160	COLLAR	2	2001-
32	04120-21734	V-BELT	1	2001-
33	01010-80835	BOLT	2	2178-
34	01643-30823	WASHER	2	2178-
35	08017-B1905	CONDUIT	1	2001-
36	04434-51210	CLIP	1	2001-
37	04434-52512	CLIP	1	2001-
38	566-06-41290	INSULATOR	1	2001-
39	01010-81016	BOLT	2	2001-
40	01643-31032	WASHER	2	2001-
41	08210-02906	SPIRAL TUBE	1	2001-
42	08210-02903	SPIRAL TUBE	1	2001-
43	56B-07-22832	COVER	1	2001-
44	01010-81020	BOLT	2	2001-
45	01643-31032	WASHER	2	2001-
46	56B-07-22890	BRACKET	1	2001-
47	01010-81035	BOLT	1	2001-
48	01580-11008	NUT	1	2001-
49	01643-31032	WASHER	1	2001-
50	01010-81020	BOLT	2	2001-
51	01643-31032	WASHER	2	2001-
52	04434-51010	CLIP	1	2001-
53	01010-81016	BOLT	1	2001-
54	01643-31032	WASHER	1	2001-



00090818

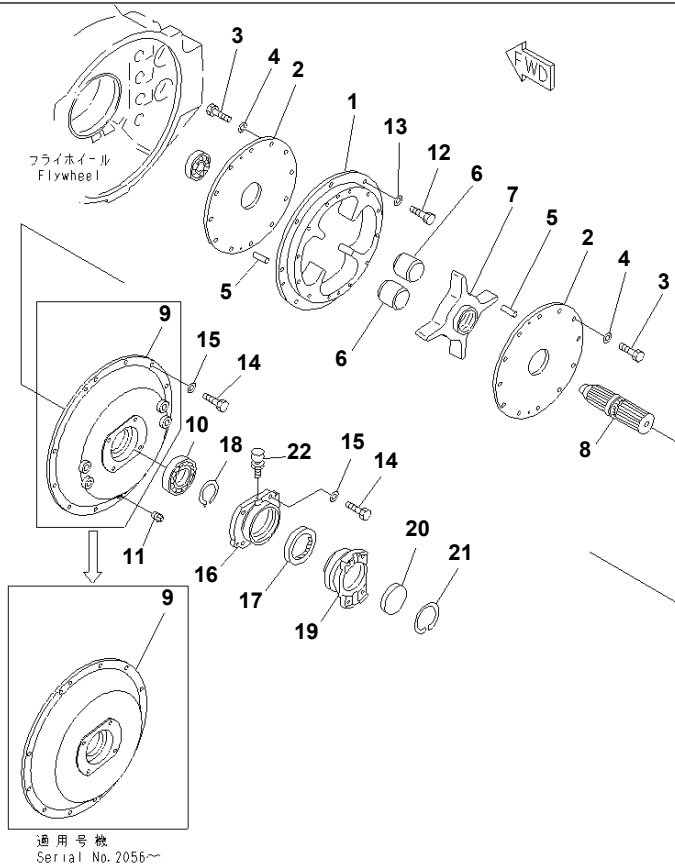
HM350-2 S/N 2001-UP (ecot3)
AIR CONDITIONER AND HEATER (AIR COMPRESSOR AND RELATED PARTS) (FOR EU SAFETY REGULATION)(#2219-)

Item	Part No.	Part Name	Qty	Serial No.
1	56B-07-22762	BRACKET	1	2219-
2	01010-81230	BOLT	4	2219-
3	01643-31232	WASHER	4	2219-
4	600-051-6120	CLIP	1	2219-
5	01010-81020	BOLT	1	2219-
6	01643-31032	WASHER	1	2219-
7	56B-07-22774	BRACKET	1	2219-
8	6240-81-8610	ROD	1	2219-
9	01580-11613	NUT	2	2219-
10	6240-81-8670	PLATE	1	2219-
11	01010-81275	BOLT	1	2219-
12	01643-31232	WASHER	1	2219-
13	6215-81-6150	PIN	1	2219-
14	01010-81270	BOLT	1	2219-
15	01643-31232	WASHER	1	2219-
16	125-70-21210	BOLT	1	2219-
17	01643-31232	WASHER	2	2219-
18	01580-11210	NUT	1	2219-
19	566-07-6A580	COLLAR	1	2219-
20	56B-07-22202	COMPRESSOR KIT	1	2219-
21	425-S62-3321	COMPRESSOR ASS'Y	1	2219-
22	56B-07-22923	HOSE	1	2219-
23	56B-07-23131	HOSE	1	2219-
24	01010-81045	BOLT	2	2219-
25	01643-31032	WASHER	2	2219-
26	01580-11008	NUT	2	2219-
27	01643-31032	WASHER	2	2219-
28	01010-81055	BOLT	2	2219-

HM350-2 S/N 2001-UP (ecot3)
AIR CONDITIONER AND HEATER (AIR COMPRESSOR AND RELATED PARTS) (FOR EU SAFETY REGULATION)(#2219-)

Item	Part No.	Part Name	Qty	Serial No.
28	01643-31032	WASHER	2	2219-
29	01580-11008	NUT	2	2219-
30	01643-31032	WASHER	4	2219-
31	425-S62-3160	COLLAR	2	2219-
32	04120-21734	V-BELT	1	2219-
33	01010-80835	BOLT	2	2219-
34	01643-30823	WASHER	2	2219-
35	08017-B1905	CONDUIT	1	2219-
36	04434-51210	CLIP	1	2219-
37	04434-52512	CLIP	1	2219-
38	566-06-41290	INSULATOR	1	2219-
39	01010-81016	BOLT	2	2219-
40	01643-31032	WASHER	2	2219-
41	08210-02906	SPIRAL TUBE	1	2219-
42	08210-02903	SPIRAL TUBE	1	2219-
	56B-07-23850	COVER	1	2219-
43	56B-07-23830	COVER	1	2219-
44	17M-911-6330	GROMMET	2	2219-
45	01026-A1020	BOLT	2	2219-
	56B-07-23840	BRACKET	1	2219-
46	56B-07-23820	BRACKET	1	2219-
47	17M-911-6330	GROMMET	2	2219-
48	01026-A1030	BOLT	2	2219-
51	56B-07-22890	BRACKET	1	2219-
52	01010-81035	BOLT	1	2219-
53	01580-11008	NUT	1	2219-
54	01643-31032	WASHER	1	2219-
57	04434-51010	CLIP	1	2219-
58	01010-81016	BOLT	1	2219-
59	01643-31032	WASHER	1	2219-

HM350-2 S/N 2001-UP (ecot3)
00048335



00048335

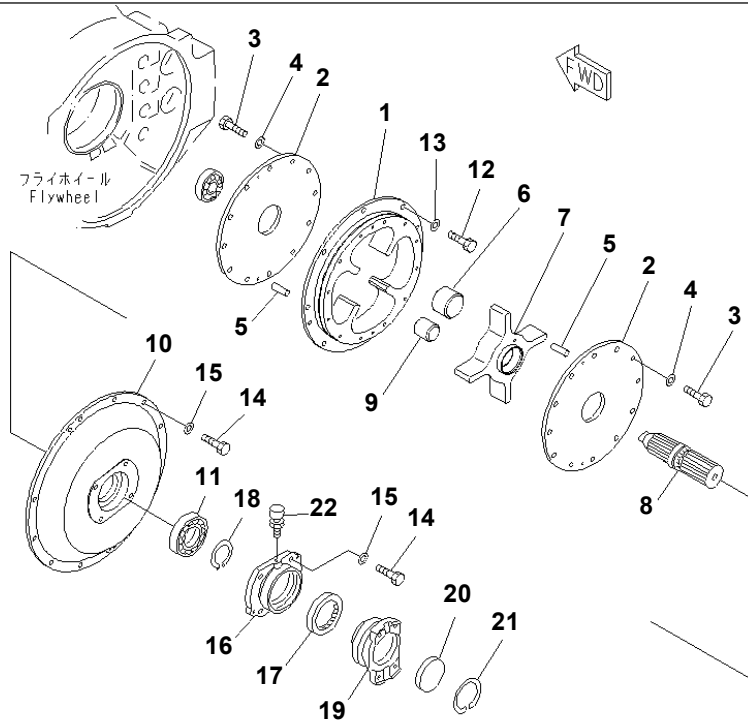
Ref. B0600-01A0

Page 030090

HM350-2 S/N 2001-UP (ecot3)
DAMPER(#2001-2143)

Item	Part No.	Part Name	Qty	Serial No.
1	566-01-72140	BODY,OUTER	1	2001-2143
2	566-01-22161	FLANGE	2	2001-@
3	01010-61030	BOLT	24	2001-@
4	01643-31032	WASHER	24	2001-@
5	04020-00820	PIN	4	2001-@
6	287-01-12180	CUSHION	8	2001-2143
7	566-01-72150	BODY,INNER	1	2001-2143
8	566-01-72210	SHAFT	1	2001-@
9	566-01-72110	COVER	1	2056-@
	(☑56B-01-12111)	COVER	1	(2001-2055)
10	06040-06213	BEARING	1	2001-@
11	07042-70108	PLUG	1	2001-2044
12	01010-61230	BOLT	8	2001-@
13	01643-31232	WASHER	8	2001-@
14	01010-61235	BOLT	16	2001-@
15	01643-31232	WASHER	16	2001-@
16	56B-01-12120	COVER	1	2001-@
17	566-01-22912	SEAL	1	2001-@
18	04064-06525	RING	1	2001-@
	56B-01-12710	COUPLING ASS'Y	1	2001-@
19	56B-01-12720	・ COUPLING	1	2001-@
20	569-01-62790	・ CAP	1	2001-@
21	04065-09530	・ RING,SNAP	1	2001-@
22	07030-01030	BREATHER	1	2001-@

HM350-2 S/N 2001-UP (ecot3)
00078930



00078930

Ref. B0600-01A0A

Page 030100

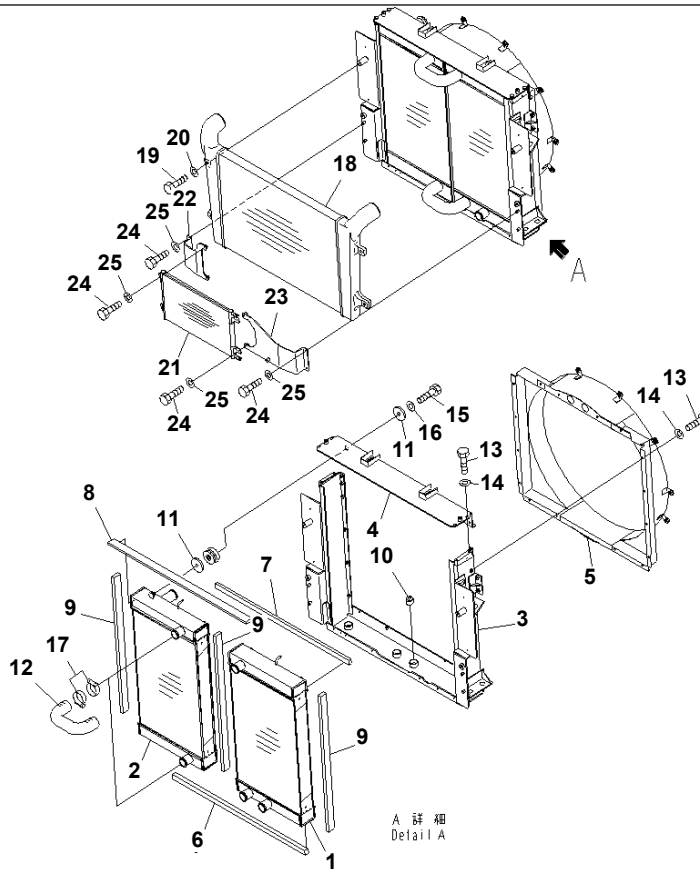
HM350-2 S/N 2001-UP (ecot3)
DAMPER(#2144-)

Item	Part No.	Part Name	Qty	Serial No.
1	566-01-82140	BODY	1	2144-
2	566-01-22161	FLANGE	2	2001-
3	01010-61030	BOLT	24	2001-
4	01643-31032	WASHER	24	2001-
5	04020-00820	PIN	4	2001-
6	566-01-82180	CUSHION	4	2144-
7	566-01-82150	BODY	1	2144-
8	566-01-72210	SHAFT	1	2001-
9	566-01-82190	CUSHION	4	2144-
10	566-01-72110	COVER	1	2056-
11	06040-06213	BEARING	1	2001-
12	01010-61230	BOLT	8	2001-
13	01643-31232	WASHER	8	2001-
14	01010-61235	BOLT	16	2001-
15	01643-31232	WASHER	16	2001-
16	56B-01-12120	COVER	1	2001-
17	566-01-22912	SEAL	1	2001-
18	04064-06525	RING	1	2001-
19	56B-01-12710	COUPLING ASS'Y	1	2001-
19	56B-01-12720	COUPLING	1	2001-
20	569-01-62790	CAP	1	2001-
21	04065-09530	RING	1	2001-
22	07030-01030	BREATHER	1	2001-

HM350-2 S/N 2001-UP (ecot3)**COOLING SYSTEM**

Item	Part Name	Qty
10	RADIATOR AND AFTER COOLER(#2001-2206)	1
20	RADIATOR AND AFTER COOLER(#2207-)	1
30	RADIATOR (BAFFLE)	1
40	RADIATOR (FAN NET)	1
50	RADIATOR (FAN NET) (FOR EU SAFETY REGULATION)(#2219-)	1
60	RADIATOR (MOUNTING PARTS)	1
70	COOLANT LINE	1
80	COOLANT LINE (RESERVE TANK)	1
90	BRAKE OIL COOLER	1

HM350-2 S/N 2001-UP (ecot3)
00048024



00048024

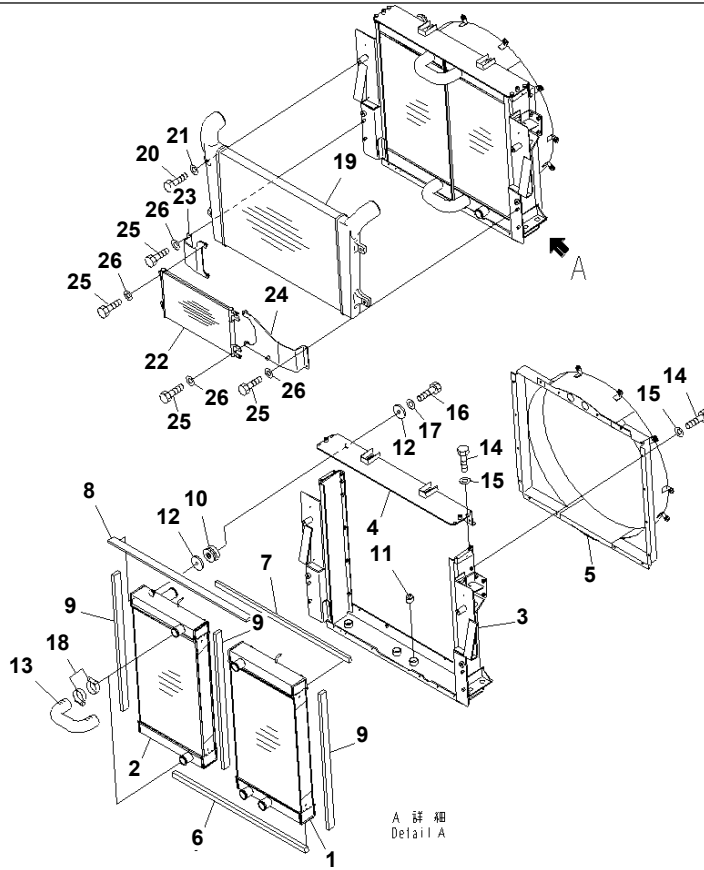
Ref. C0110-01A0

Page 060010

HM350-2 S/N 2001-UP (ecot3)
RADIATOR AND AFTER COOLER(#2001-2206)

Item	Part No.	Part Name	Qty	Serial No.
	56B-03-21102	RADIATOR ASS'Y	1	2150-2206
	56B-03-21101	RADIATOR ASS'Y	1	2001-2149
	56B-03-21202	· RADIATOR ASS'Y	1	2050-2206
	56B-03-21201	· RADIATOR ASS'Y	1	2001-2149
1	56B-03-21210	· · CORE	1	2150-@
2	56B-03-21220	· · CORE	1	2150-@
3	56B-03-21230	· · FRAME	1	2001-2206
4	56B-03-21240	· · BRACKET	1	2001-@
5	56B-03-21260	· · SHROUD	1	2001-@
6	56B-03-21310	· · PACKING	1	2001-@
7	56B-03-21320	· · PACKING	1	2001-@
8	56B-03-21330	· · PACKING	1	2001-@
9	56B-03-21340	· · PACKING	3	2001-@
10	23C-03-51751	· · CUSHION	4	2001-@
11	207-03-75590	· · PLATE	8	2001-@
12	56D-03-21250	· · HOSE	2	2001-@
13	01010-81025	· · BOLT	24	2001-@
14	01643-31032	· · WASHER	24	2001-@
15	01010-81050	· · BOLT	4	2001-@
16	01643-31032	· · WASHER	4	2001-@
17	07299-00070	· · CLAMP	8	2001-@
18	6212-62-4100	· AFTERCOOLER ASS'Y	1	2001-@
19	01010-81245	· BOLT	4	2001-@
20	01643-31232	· WASHER	4	2001-@
21	56D-07-21100	· CONDENSER ASS'Y	1	2001-@
22	56B-07-22861	· BRACKET	1	2001-@
23	56B-07-22871	· BRACKET	1	2001-@
24	01010-80820	· BOLT	8	2001-@
25	01643-30823	· WASHER	8	2001-@

HM350-2 S/N 2001-UP (ecot3)
00085903



00085903

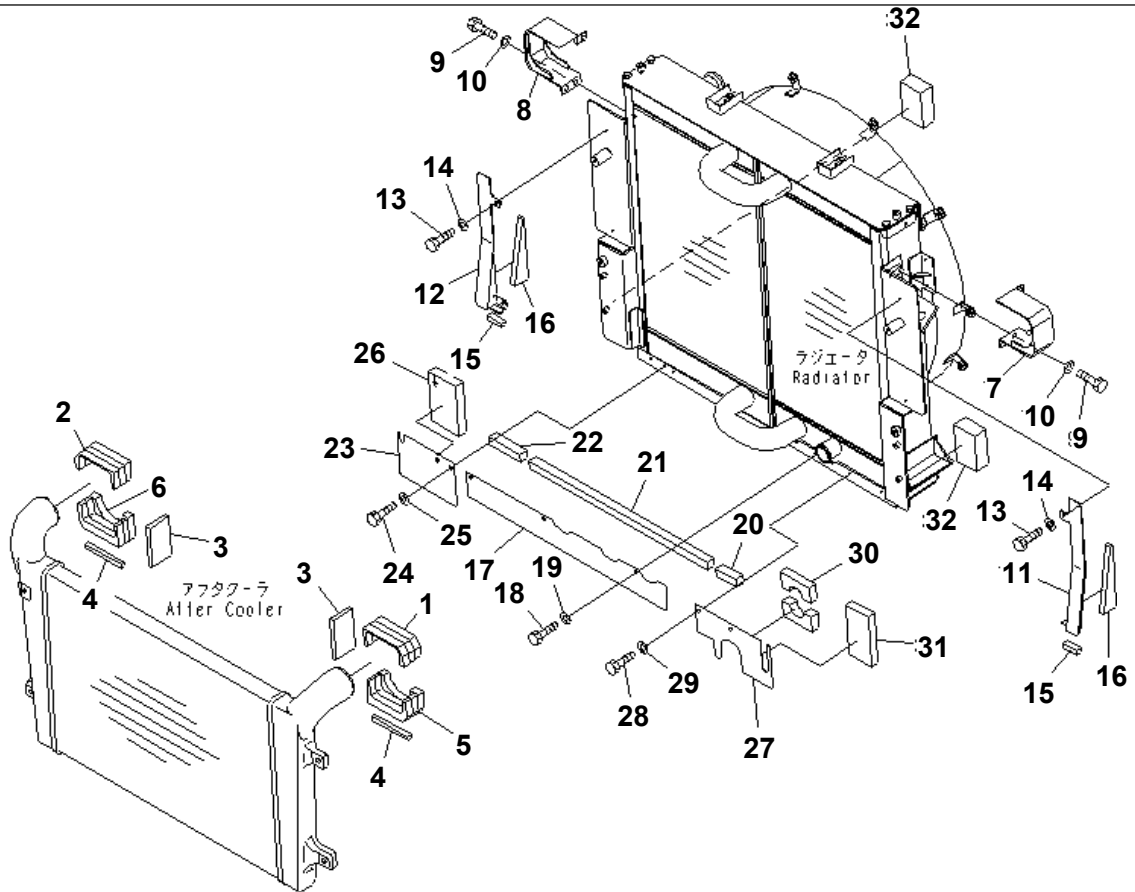
Ref. C0110-01A0A

Page 060020

HM350-2 S/N 2001-UP (ecot3)
RADIATOR AND AFTER COOLER(#2207-)

Item	Part No.	Part Name	Qty	Serial No.
	56B-03-23100	RADIATOR ASS'Y	1	2207-
	56B-03-23200	· RADIATOR SUB ASS'Y	1	2207-
1	56B-03-21210	· · CORE	1	2150-
2	56B-03-21220	· · CORE	1	2150-
3	56B-03-23230	· · FRAME	1	2207-
4	56B-03-21240	· · BRACKET	1	2001-
5	56B-03-21260	· · SHROUD	1	2001-
6	56B-03-21310	· · PACKING	1	2001-
7	56B-03-21320	· · PACKING	1	2001-
8	56B-03-21330	· · PACKING	1	2001-
9	56B-03-21340	· · PACKING	3	2001-
10	195-03-41380	· · CUSHION	4	2207-
11	23C-03-51751	· · CUSHION	4	2001-
12	207-03-75590	· · PLATE	8	2001-
13	56D-03-21250	· · HOSE	2	2001-
14	01010-81025	· · BOLT	24	2001-
15	01643-31032	· · WASHER	24	2001-
16	01010-81050	· · BOLT	4	2001-
17	01643-31032	· · WASHER	4	2001-
18	07299-00070	· · CLAMP	8	2001-
19	6212-62-4100	· AFTERCOOLER ASS'Y	1	2001-
20	01010-81245	· BOLT	4	2001-
21	01643-31232	· WASHER	4	2001-
22	56D-07-21100	· CONDENSER ASS'Y	1	2001-
23	56B-07-22861	· BRACKET	1	2001-
24	56B-07-22871	· BRACKET	1	2001-
25	01010-80820	· BOLT	8	2001-
26	01643-30823	· WASHER	8	2001-

HM350-2 S/N 2001-UP (ecot3)
00048026



Ref. C0110-02A0

Page 060030

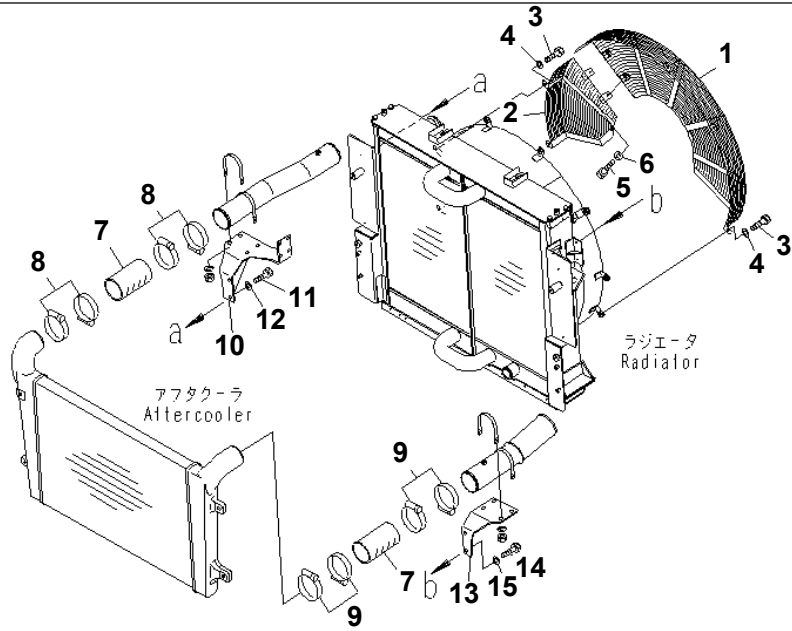
HM350-2 S/N 2001-UP (ecot3)
RADIATOR (BAFFLE)

Item	Part No.	Part Name	Qty	Serial No.
1	56B-03-21860	SHEET,L.H.	1	2001-
2	56B-03-21870	SHEET,R.H.	1	2001-
3	56B-03-22220	SHEET	2	2001-
4	56B-03-22230	SHEET	2	2001-
5	56B-03-21881	SHEET,L.H.	1	2001-
6	56B-03-21891	SHEET,R.H.	1	2001-
7	56B-03-21841	BRACKET,L.H.	1	2001-
8	56B-03-21851	BRACKET,R.H.	1	2001-
9	01010-81016	BOLT	6	2001-
10	01643-31032	WASHER	6	2001-
11	56B-03-21820	BRACKET,L.H.	1	2001-2206
12	56B-03-21830	BRACKET,R.H.	1	2001-2206
13	01010-80820	BOLT	4	2001-2206
14	01643-30823	WASHER	4	2001-2206
15	56B-03-21780	SHEET	2	2001-2206
16	56B-03-22210	SHEET	2	2001-2206
17	56B-03-22371	PLATE	1	2001-
18	01010-81025	BOLT	3	2001-
19	01643-31032	WASHER	3	2001-
20	56B-03-21730	SHEET	1	2001-
21	56B-03-21740	SHEET	1	2001-
22	56B-03-21750	SHEET	1	2001-
23	56B-03-22380	PLATE	1	2001-
24	01010-81025	BOLT	2	2001-
25	01643-31032	WASHER	2	2001-
26	56B-03-21710	SHEET	1	2001-
27	56B-03-22360	PLATE	1	2001-
28	01010-81025	BOLT	2	2001-
29	01643-31032	WASHER	2	2001-

HM350-2 S/N 2001-UP (ecot3)
RADIATOR (BAFFLE)

Item	Part No.	Part Name	Qty	Serial No.
30	56B-03-21720	SHEET	1	2001-
31	56B-03-22560	SHEET	1	2001-
32	56B-03-22580	SHEET	2	2001-

HM350-2 S/N 2001-UP (ecot3)
00048027



00048027

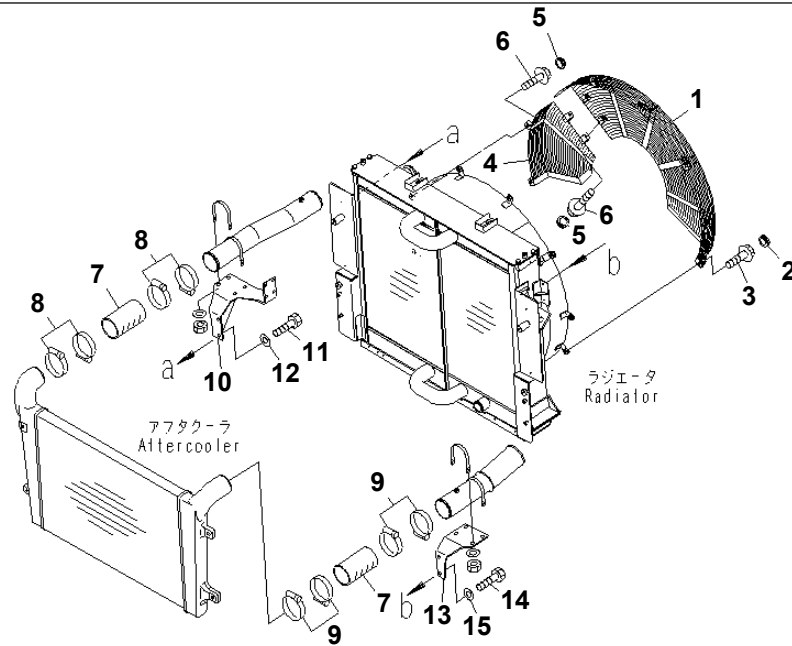
Ref. C0110-03A0

Page 060040

HM350-2 S/N 2001-UP (ecot3)
RADIATOR (FAN NET)

Item	Part No.	Part Name	Qty	Serial No.
1	56B-03-21951	COVER	1	2001-
2	56B-03-21961	COVER	1	2001-
3	01010-81025	BOLT	7	2001-
4	01643-31032	WASHER	7	2001-
5	01010-81025	BOLT	2	2001-
6	01643-31032	WASHER	2	2001-
7	56D-02-22290	HOSE	2	2001-
8	569-02-82190	CLAMP	4	2062-
	□07299-00105	CLAMP	4	2001-2061
9	569-02-82190	CLAMP	4	2062-
	□07299-00105	CLAMP	4	2001-2061
10	56B-02-22231	BRACKET	1	2001-
11	01010-81030	BOLT	2	2001-
12	01643-31032	WASHER	2	2001-
13	56B-02-12241	BRACKET	1	2001-
14	01010-81030	BOLT	2	2001-
15	01643-31032	WASHER	2	2001-

HM350-2 S/N 2001-UP (ecot3)
00090819



00090819

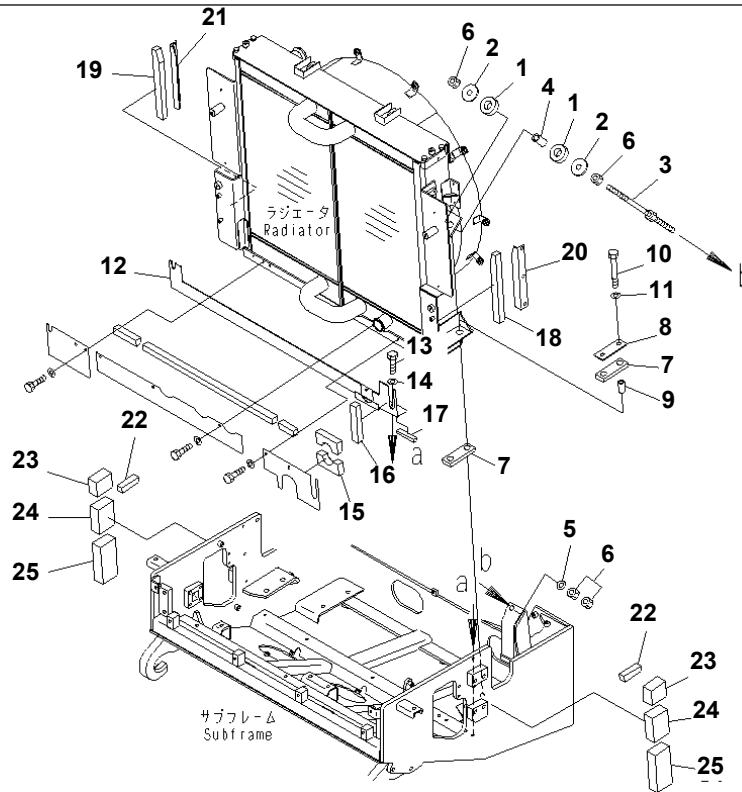
Ref. C0110-03A1

Page 060050

HM350-2 S/N 2001-UP (ecot3)
RADIATOR (FAN NET) (FOR EU SAFETY REGULATION)(#2219-)

Item	Part No.	Part Name	Qty	Serial No.
	56B-03-23970	COVER ASS'Y,L.H.	1	2219-
1	56B-03-23950	COVER,L.H.	1	2219-
2	17M-911-6330	GROMMET	5	2219-
3	01026-A1025	BOLT	5	2219-
	56B-03-23980	COVER ASS'Y,R.H.	1	2219-
4	56B-03-23960	COVER,R.H.	1	2219-
5	17M-911-6330	GROMMET	4	2219-
6	01026-A1025	BOLT	4	2219-
7	56D-02-22290	HOSE	2	2219-
8	569-02-82190	CLAMP	4	2219-
9	569-02-82190	CLAMP	4	2219-
10	56B-02-22231	BRACKET	1	2219-
11	01010-81030	BOLT	2	2219-
12	01643-31032	WASHER	2	2219-
13	56B-02-12241	BRACKET	1	2219-
14	01010-81030	BOLT	2	2219-
15	01643-31032	WASHER	2	2219-

HM350-2 S/N 2001-UP (ecot3)
00048028



00048028

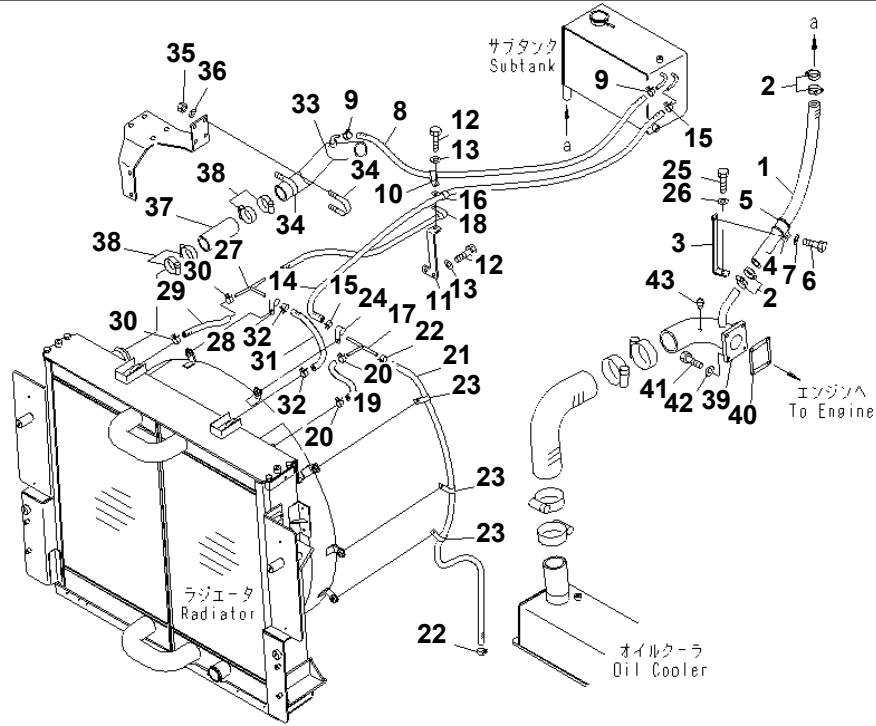
Ref. C0110-04A0

Page 060060

HM350-2 S/N 2001-UP (ecot3)
RADIATOR (MOUNTING PARTS)

Item	Part No.	Part Name	Qty	Serial No.
1	285-03-11160	CUSHION	4	2001-
2	285-03-11170	PLATE	4	2001-
3	569-03-42340	ROD	2	2001-
4	566-03-42270	SPACER	2	2001-
5	01643-31645	WASHER	4	2001-
6	01582-11613	NUT	8	2001-
7	285-03-11120	CUSHION	4	2001-
8	285-03-11140	PLATE	2	2001-
9	285-03-11150	SPACER	4	2001-
10	01010-81695	BOLT	4	2001-
11	01643-31645	WASHER	4	2001-
12	56B-03-22350	BRACKET	1	2001-
13	01010-81025	BOLT	5	2001-
14	01643-31032	WASHER	5	2001-
15	56B-03-21720	SHEET	1	2001-
16	56B-03-22550	SHEET	1	2001-
17	56B-03-22570	SHEET	1	2001-
18	56B-03-22280	SHEET,L.H.	1	2001-
19	56B-03-22290	SHEET,R.H.	1	2001-
20	56B-03-22260	BRACKET,L.H.	1	2001-
21	56B-03-22270	BRACKET,R.H.	1	2001-
22	56B-03-22540	SHEET	2	2001-
23	56B-03-22510	SHEET	2	2001-
24	56B-03-22520	SHEET	2	2001-
25	56B-03-22530	SHEET	2	2001-

HM350-2 S/N 2001-UP (ecot3)
00048029



00048029

Ref. C0120-01A0

Page 060070

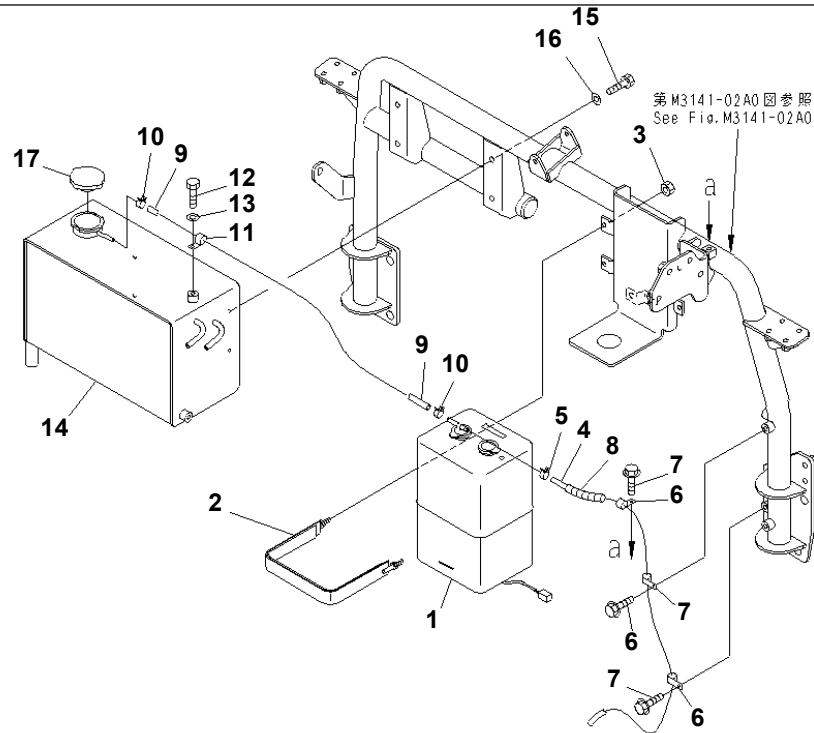
HM350-2 S/N 2001-UP (ecot3)
COOLANT LINE

Item	Part No.	Part Name	Qty	Serial No.
1	56B-03-21990	HOSE	1	2001-
2	07281-10419	CLAMP	4	2001-
3	56B-03-21970	BRACKET	1	2001-
4	566-03-12620	CLAMP	1	2001-
5	20T-62-71831	CUSHION	1	2001-
6	01010-81020	BOLT	2	2001-
7	01643-31032	WASHER	2	2001-
8	09483-10308	HOSE	1	2001-
9	11Y-09-11140	CLIP	2	2001-
10	04434-51610	CLIP	1	2001-
11	56B-03-22410	BRACKET	1	2001-
12	01010-81020	BOLT	3	2001-
13	01643-31032	WASHER	3	2001-
14	09483-10311	HOSE	1	2001-
15	11Y-09-11140	CLIP	2	2001-
16	04434-51610	CLIP	1	2001-
17	427-03-12460	TUBE	1	2001-
18	04434-51610	CLIP	1	2001-
19	56B-03-21430	HOSE	1	2001-
20	11Y-09-11140	CLIP	2	2001-
21	09483-10313	HOSE	1	2001-
22	11Y-09-11140	CLIP	2	2001-
23	04434-51610	CLIP	3	2001-
24	04434-51610	CLIP	2	2001-
25	01010-81020	BOLT	1	2001-
26	01643-31032	WASHER	1	2001-
27	427-03-12460	TUBE	1	2001-
28	04434-51610	CLIP	1	2001-
29	56B-03-21410	HOSE	1	2001-

HM350-2 S/N 2001-UP (ecot3)**COOLANT LINE**

Item	Part No.	Part Name	Qty	Serial No.
30	11Y-09-11140	CLIP	2	2001-
31	56B-03-21420	HOSE	1	2001-
32	11Y-09-11140	CLIP	2	2001-
33	56B-03-21552	TUBE	1	2001-
34	07283-36155	CLIP	2	2001-
35	01597-01009	NUT	4	2001-
36	01643-31032	WASHER	4	2001-
37	56B-03-21470	HOSE	1	2001-
38	07299-00070	CLAMP	4	2001-
39	56B-03-21580	CONNECTOR	1	2001-
40	6212-61-6821	GASKET	1	2001-
41	01010-81035	BOLT	4	2001-
42	01643-31032	WASHER	4	2001-
43	07042-70108	PLUG	1	2001-

HM350-2 S/N 2001-UP (ecot3)
00049700



00049700

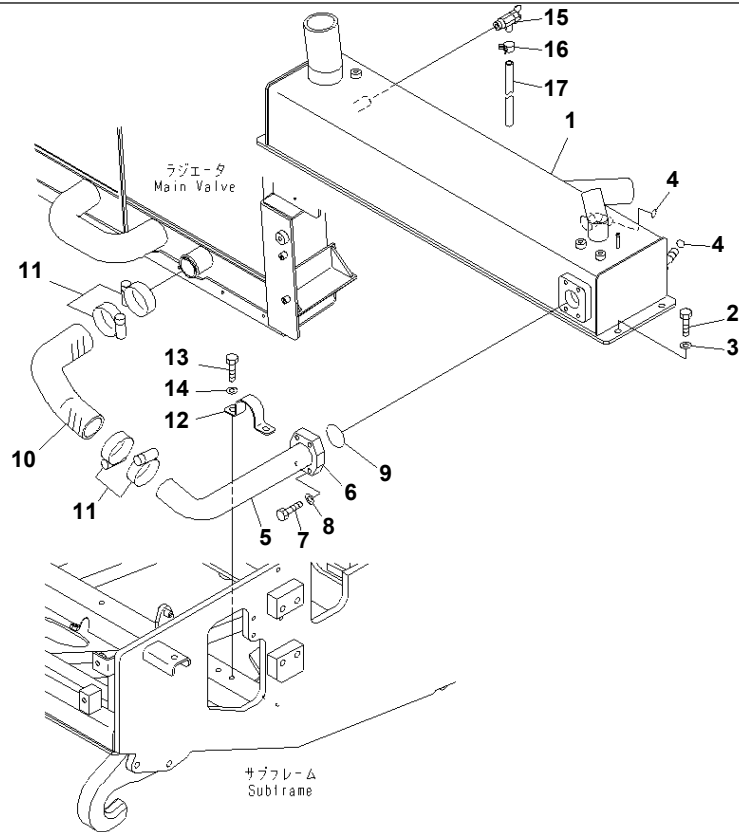
Ref. C0120-02A0

Page 060080

HM350-2 S/N 2001-UP (ecot3)
COOLANT LINE (RESERVE TANK)

Item	Part No.	Part Name	Qty	Serial No.
1	56B-03-11911	TANK	1	2001-
	21N-03-32360	· CAP ASS'Y, WITH HOSE	1	2001-
	56B-03-11930	· CAP	1	2001-
2	56B-03-11740	BAND	1	2001-
3	01580-00806	NUT	2	2001-
4	418-03-21230	HOSE	1	2001-
5	11Y-09-11130	CLAMP	1	2001-
6	04434-51310	CLIP	3	2085-
	04434-51410	CLIP	3	2001-2084
7	01435-01016	BOLT	3	2001-
8	08210-00602	SPIRAL TUBE	1	2001-
9	56B-03-21440	HOSE	1	2001-
10	11Y-09-11130	CLAMP	2	2001-
11	04434-51310	CLIP	1	2085-
	04434-51610	CLIP	1	2001-2084
12	01010-81020	BOLT	1	2001-
13	01643-31032	WASHER	1	2001-
14	56B-03-21982	TANK	1	2194-
	56B-03-21981	TANK	1	2001-2193
15	01010-81020	BOLT	4	2001-
16	01643-31032	WASHER	4	2001-
17	569-03-81510	CAP	1	2001-

HM350-2 S/N 2001-UP (ecot3)
00049632



00049632

Ref. C0500-01A0

Page 060090

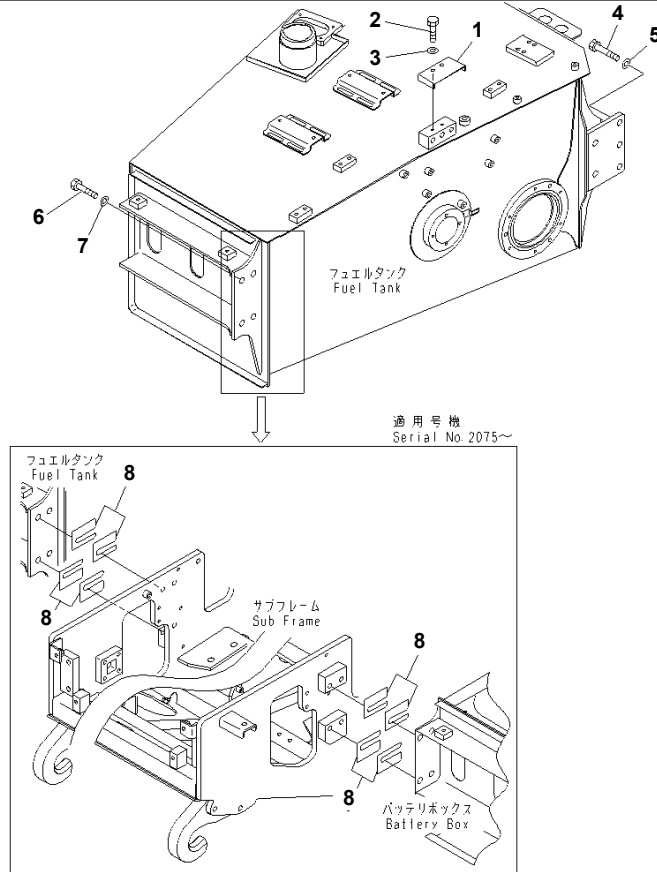
HM350-2 S/N 2001-UP (ecot3)
BRAKE OIL COOLER

Item	Part No.	Part Name	Qty	Serial No.
1	56B-03-21502	OIL COOLER	1	2001-
2	01010-81030	BOLT	4	2001-
3	01643-31032	WASHER	4	2001-
4	207-62-64740	O-RING	2	2001-
5	56B-03-21511	TUBE	1	2001-
6	209-62-55281	FLANGE	1	2001-
7	01010-81245	BOLT	4	2001-
8	01643-51232	WASHER	4	2001-
9	07000-F2060	O-RING	1	2001-
10	56B-03-21520	HOSE	1	2001-
11	07299-00070	CLAMP	4	2001-
12	56B-03-21790	CLAMP	1	2001-
13	01010-81020	BOLT	2	2001-
14	01643-31032	WASHER	2	2001-
15	09482-20000	VALVE	1	2001-
16	11Y-09-11140	CLIP	1	2001-
17	07270-01535	TUBE	1	2001-

HM350-2 S/N 2001-UP (ecot3)
FUEL TANK AND RELATED PARTS

Item	Part Name	Qty
10	FUEL TANK AND RELATED PARTS	1
20	FUEL TANK SUB ASS'Y (FUEL TANK AND RELATED PARTS)(#2001-2216)	1
30	FUEL TANK SUB ASS'Y (FUEL TANK AND RELATED PARTS)(#2217-)	1
40	FUEL TANK SUB ASS'Y (FUEL TANK AND RELATED PARTS) (FOR QUICK CHARGE)(#2001-2216)	1
50	FUEL TANK SUB ASS'Y (FUEL TANK AND RELATED PARTS) (FOR QUICK CHARGE)(#2217-)	1
60	FUEL TANK SUB ASS'Y (FUEL TANK AND RELATED PARTS) (SAND PROTECTION SPEC.)(#2001-2216)	1
70	FUEL TANK SUB ASS'Y (FUEL TANK AND RELATED PARTS) (SAND PROTECTION SPEC.)(#2217-)	1
80	FUEL TANK SUB ASS'Y (AIR CLEANER AND PIPING)	1
90	FUEL TANK SUB ASS'Y (AIR CLEANER AND PIPING) (FOR QUICK CHARGE)	1
100	FUEL TANK SUB ASS'Y (QUICK CHARGE RELATED PARTS)	1
110	FUEL TANK SUB ASS'Y (HAND RAIL AND BOX)	1
120	AIR CLEANER (INNER PARTS)	1
130	FUEL LINE(#2001-2206)	1
140	FUEL LINE(#2207-)	1
150	FUEL TANK BREATHER	1

HM350-2 S/N 2001-UP (ecot3)
00065991



00065991

Ref. D0100-01A0

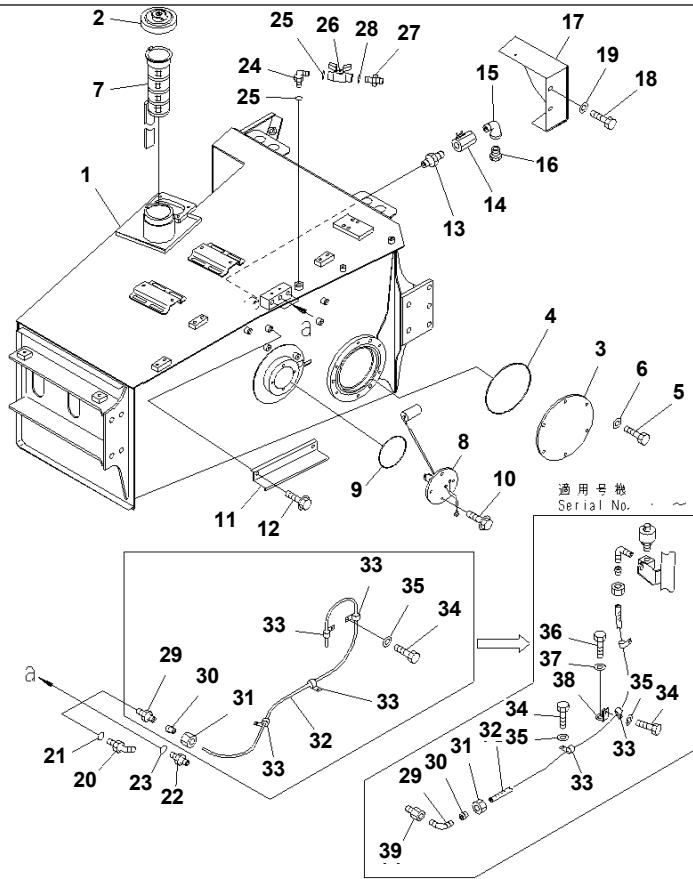
Page 090010

HM350-2 S/N 2001-UP (ecot3)
FUEL TANK AND RELATED PARTS

Item	Part No.	Part Name	Qty	Serial No.
1	566-04-13270	COVER	1	2001-
2	01010-81020	BOLT	2	2001-
3	01643-31032	WASHER	2	2001-
4	01010-81650	BOLT	5	2001-
5	01643-31645	WASHER	5	2001-
6	01010-81640	BOLT	4	2001-
7	01643-31645	WASHER	4	2001-
8	56B-54-21860	PLATE	16	2075-

HM350-2 S/N 2001-UP (ecot3)

00085904



00085904

Ref. D0150-01A0

Page 090020

HM350-2 S/N 2001-UP (ecot3)

FUEL TANK SUB ASS'Y (FUEL TANK AND RELATED PARTS)(#2001-2216)

Item	Part No.	Part Name	Qty	Serial No.
1	56B-04-21114	TANK	1	2057-2216
	56B-04-21113	TANK	1	2001-2056
2	423-04-11362	CAP	1	.-@
	□20Y-04-11160	CAP	1	2001.-
	417-04-21230	· PACKING	1	.-@
	20Y-04-11240	· PACKING	1	2001.-
3	428-04-11120	COVER	1	2001-@
4	07000-15200	O-RING	1	2001-@
5	01010-81025	BOLT	6	2001-@
6	01643-31032	WASHER	6	2001-@
7	22U-04-21241	STRAINER ASS'Y	1	2001-@
8	7861-93-4930	SENSOR,FUEL LEVEL	1	2001-@
9	07000-12085	O-RING	1	2001-@
10	01435-01016	BOLT	4	2001-@
11	56B-04-11160	BRACKET	1	2001-@
12	01435-01016	BOLT	2	2001-@
13	07325-00200	NIPPLE	1	2001-@
14	363-04-11130	VALVE	1	2001-@
15	281-43-18250	ELBOW	1	2001-@
16	56B-04-11190	ADAPTER	1	2001-@
17	56B-04-21510	COVER	1	2001-@
18	01010-81020	BOLT	3	2001-@
19	01643-31032	WASHER	3	2001-@
20	21W-62-43390	ELBOW	1	2001-@
21	07002-11823	O-RING	1	2001-@
22	02781-00313	UNION	1	2001-@
23	07002-11823	O-RING	1	2001-@
24	14X-04-21630	ELBOW	1	2001-@
25	07002-12034	O-RING	2	2001-@



Download the full PDF manual instantly.

Our customer service e-mail:

aservicemanualpdf@yahoo.com