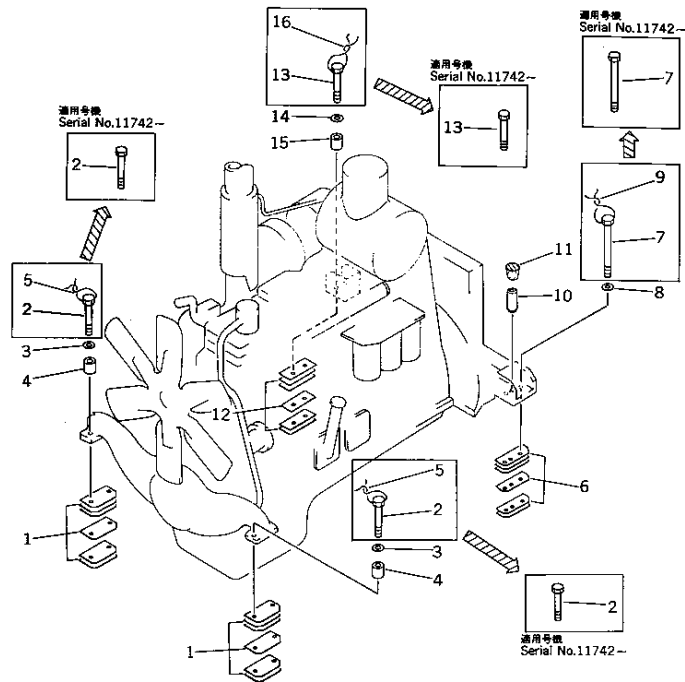


D355C-3 S/N 1800-UP (S6D155-4 Eng. Installed (Chassis only))
D355C-3 S/N 1800-UP (S6D155-4 Eng. Installed (Chassis only))

Item	Part Name
10	ENGINE RELATED PARTS AND ELECTRICAL SYSTEM
20	TORQUE CONVERTOR AND TRANSMISSION
30	STEERING SYSTEM AND FINAL DRIVE
40	TRACK
50	GUARD
60	WORK EQUIPMENT CONTROL SYSTEM
70	WORK EQUIPMENT
80	OPTIONAL PARTS
81	ROCKET HEATER AND RELATED PARTS
90	TOOL
95	TOWING WINCH (DWT125-1)
99	SERVICE KIT

**D355C-3 S/N 1800-UP (S6D155-4 Eng. Installed (Chassis only))
ENGINE RELATED PARTS AND ELECTRICAL SYSTEM**

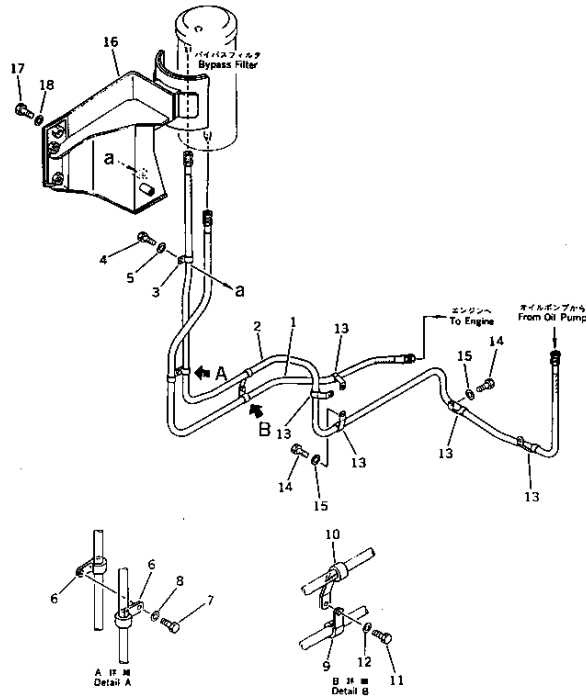
Item	Part Name	Qty
10	ENGINE MOUNTING(#3259-)	1
20	BYPASS FILTER PIPING (FOR STARTING ENGINE)(#4001-)	1
30	POWER TAKE OFF (1/2)(#3259-)	1
40	POWER TAKE OFF (2/2)(#3259-)	1
50	POWER TAKE OFF (1/2) (FOR CONVEYER SHIFTER)(#12775-)	1
60	POWER TAKE OFF (2/2) (FOR CONVEYER SHIFTER)(#12775-)	1
70	COMPRESSION RELEASE LEVER(#4001-)	1
80	FUEL CONTROL LEVER (1/4)(#3259-4000)	1
90	FUEL CONTROL LEVER (2/4)(#3259-4000)	1
100	FUEL CONTROL LEVER (3/4)(#3259-4000)	1
110	FUEL CONTROL LEVER (4/4)(#3259-4000)	1
120	FUEL CONTROL LEVER(#4001-)	1
130	FUEL CONTROL LINKAGE(#4001-)	1
140	DECELERATOR PEDAL(#4001-)	1
150	RADIATOR(#3259-4000)	1
160	RADIATOR(#4001-)	1
170	RADIATOR FAN GUARD(#4001-)	1
180	RADIATOR FAN DRIVE(#4001-)	1
190	RADIATOR PIPING(#3259-4000)	1
200	RADIATOR PIPING(#4001-)	1
210	RADIATOR SHUTTER AND CONTROL(#6131-)	1
220	OIL COOLER(#3259-4000)	1
230	OIL COOLER(#4001-)	1
240	OIL COOLER (FOR CONVEYER SHIFTER)(#12775-)	1
250	FUEL TANK(#3259-4000)	1
260	FUEL TANK(#4001-)	1
270	FUEL PIPING(#4001-)	1
280	BATTERY(#3259-4000)	1
290	BATTERY(#5416-)	1
300	INSTRUMENT PANEL(#3259-.)	1
310	INSTRUMENT PANEL(#5416-)	1
320	ELECTRICAL SYSTEM(#3259-.)	1
330	ELECTRICAL SYSTEM (1/3)(#5416-)	1
340	ELECTRICAL SYSTEM (2/3)(#5416-)	1
350	ELECTRICAL SYSTEM (3/3)(#5416-)	1
360	ELECTRICAL SYSTEM (OP)(#5416-)	1
370	ENGINE HEATER(#4001-5118)	1
380	ENGINE HEATER(#5119-)	1
390	AUTOMATIC OVER WIND ALARM(#4001-)	1
400	ELECTRICAL SYSTEM (1/3) (FOR CONVEYER SHIFTER)(#12775-)	1
410	ELECTRICAL SYSTEM (2/3) (FOR CONVEYER SHIFTER)(#12775-)	1
420	ELECTRICAL SYSTEM (3/3) (FOR CONVEYER SHIFTER)(#12775-)	1



D355C-3 S/N 1800-UP (S6D155-4 Eng. Installed (Chassis only))
ENGINE MOUNTING(#3259-)

Item	Part No.	Part Name	Qty	Serial No.
1	175-01-00072	SHIM ASS'Y	2	3259-
	☆	・ SHIM, 1.0MM	3	3259-
	☆	・ SHIM, 0.5MM	1	3259-
	☆	・ SHIM, 0.2MM	2	3259-
2	01011-62210	BOLT	4	11742-
	□195-01-11240	BOLT	4	3259-11741
3	01643-32260	WASHER	4	3259-
4	195-01-11190	SPACER	4	3259-
5	04059-01650	WIRE	2	3259-11741
6	196-01-00010	SHIM ASS'Y	1	3259-
	☆	・ SHIM, 1.0MM	3	3259-
	☆	・ SHIM, 0.5MM	1	3259-
	☆	・ SHIM, 0.2MM	2	3259-
7	01011-62270	BOLT	2	11742-
	□196-01-11180	BOLT	2	3259-11741
8	01643-32260	WASHER	2	3259-
9	04059-01650	WIRE	1	3259-11741
10	196-01-11170		1	3259-
11	07049-03038	PLUG	1	3259-
12	196-01-00020	SHIM ASS'Y	1	3259-
	☆	・ SHIM, 1.0MM	3	3259-
	☆	・ SHIM, 0.5MM	1	3259-
	☆	・ SHIM, 0.2MM	2	3259-
13	01011-62210	BOLT	2	11742-
	□195-01-11240	BOLT	2	3259-11741
14	01643-32260	WASHER	2	3259-
15	195-01-11190	SPACER	2	3259-
16	04059-01650	WIRE	1	3259-11741

D355C-3 S/N 1800-UP (S6D155-4 Eng. Installed (Chassis only))
@@Q13510



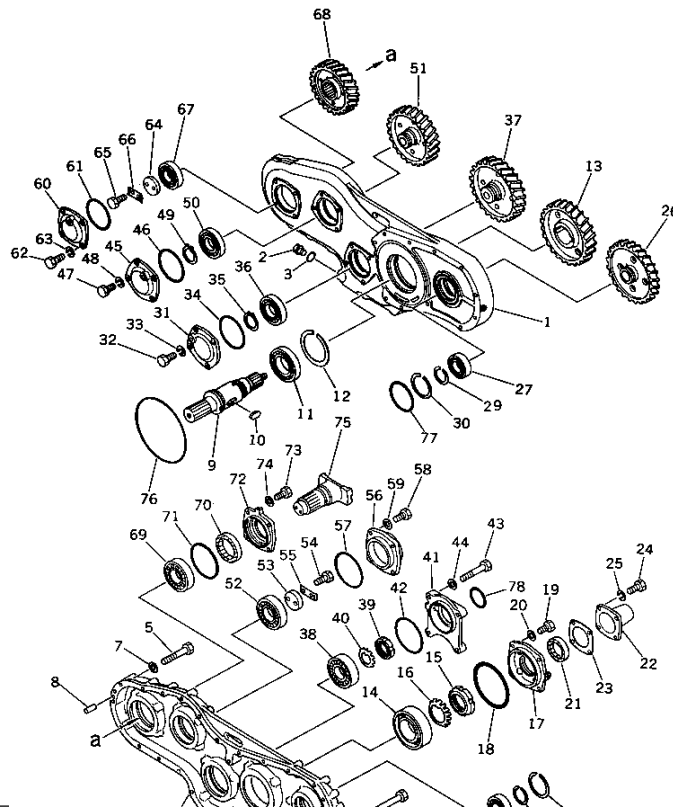
Ref. 1102

Page 030020

D355C-3 S/N 1800-UP (S6D155-4 Eng. Installed (Chassis only))
BYPASS FILTER PIPING (FOR STARTING ENGINE)(#4001-)

Item	Part No.	Part Name	Qty	Serial No.
1	07102-30419	HOSE	1	5001-
	07102-30421	HOSE	1	4001-5000
2	07102-30437	HOSE	1	4001-
3	08036-22514	CLIP	1	4001-
4	01010-81220	BOLT	1	4001-
5	01643-31232	WASHER	1	7510-
	01602-01236	WASHER	1	4001-7509
6	08036-22514	CLIP	2	4001-
7	01010-81220	BOLT	1	4001-
8	01643-31232	WASHER	1	4001-
	01602-01236	WASHER	1	4001-7509
9	08036-22514	CLIP	1	4001-
10	176-01-53130	CLIP	1	4001-
11	01010-81220	BOLT	1	4001-
12	01643-31232	WASHER	1	7510-
	01602-01236	WASHER	1	4001-7509
13	176-01-53130	CLIP	5	4001-
14	01010-81220	BOLT	5	4001-
15	01643-31232	WASHER	5	7510-
	01602-01236	WASHER	5	4001-7509
16	196-01-23112	BRACKET	1	13687-
	196-01-23111	BRACKET	1	4001-13686
17	01010-61650	BOLT	4	4001-
18	01643-31645	WASHER	4	7510-
	01602-01648	WASHER	4	4001-7509

**D355C-3 S/N 1800-UP (S6D155-4 Eng. Installed (Chassis only))
@@Q13511**



Ref. 1105

Page 030030

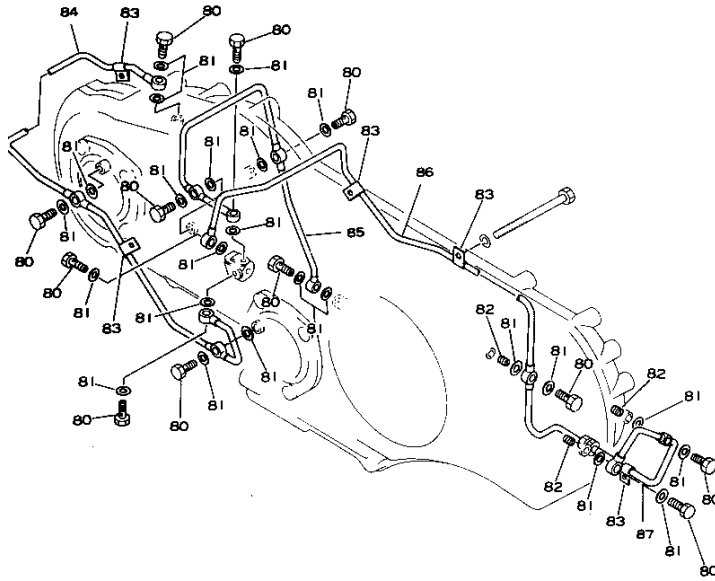
**D355C-3 S/N 1800-UP (S6D155-4 Eng. Installed (Chassis only))
POWER TAKE OFF (1/2)(#3259-)**

Item	Part No.	Part Name	Qty	Serial No.
	196-38-00013	P.T.O ASS'Y	1	13664-
	<input type="checkbox"/> 196-38-00012	P.T.O ASS'Y	1	4001-13663
	<input type="checkbox"/> 196-38-00011	P.T.O ASS'Y	1	3259-4000
	THESE ASSEMBLIES CONSIST OF ALL PARTS SHOWN IN FIGS.1105 (1-75)AND FIG.1106			
1	196-38-11111	· CASE	1	4001-
	196-38-11110	· CASE	1	3259-4000
2	07044-12412	· PLUG	1	3259-
3	07002-02434	· O-RING	1	3259-
4	196-38-11121	· CASE	1	4001-
	196-38-11120	· CASE	1	3259-4000
5	01010-81240	· BOLT	11	3259-
6	01010-81280	· BOLT	16	3259-
7	01643-31232	· WASHER	27	3259-
8	04020-01434	· PIN	2	3259-
9	195-38-11210	· SHAFT	1	3259-
10	195-38-11240	· KEY	1	3259-
11	154-01-12280	· BEARING	1	3259-
12	154-01-12210	· RING	1	3259-
13	196-38-11130	· GEAR	1	3259-
14	06040-06314	· BEARING	1	3259-
15	01530-06814	· NUT	1	3259-
16	01658-06823	· WASHER	1	3259-
17	195-38-11230	· COVER	1	3259-
18	07000-05150	· O-RING	1	3259-
19	01010-81230	· BOLT	4	3259-
20	01643-31232	· WASHER	4	3259-
21	07012-00060	· SEAL	1	3259-
22	154-01-12260	· COVER	1	3259-

**D355C-3 S/N 1800-UP (S6D155-4 Eng. Installed (Chassis only))
POWER TAKE OFF (1/2)(#3259-)**

Item	Part No.	Part Name	Qty	Serial No.
23	154-01-12271	· GASKET	1	13664-
	□154-01-12270	· GASKET	1	3259-13663
24	01010-81025	· BOLT	4	3259-
25	01602-01030	· WASHER	4	3259-
26	195-38-11310	· GEAR	1	3259-
27	195-38-11320	· BEARING	1	3259-
28	06040-06011	· BEARING	1	3259-
29	04066-00055	· RING	2	3259-
30	04067-00090	· RING	2	3259-
31	196-38-11171	· COVER	1	4001-
	196-38-11170	· O-RING	1	3259-4000
32	01010-81030	· BOLT	4	3259-
33	01602-01030	· WASHER	4	3259-
34	07000-02115	· O-RING	1	3259-
35	04064-06020	· RING	1	3259-
36	196-09-11110	· BEARING,ROLLER	1	3259-
37	196-38-11140	· GEAR	1	3259-
38	06030-21311	· BEARING	1	3259-
39	01530-05212	· NUT	1	3259-
40	01658-05223	· WASHER	1	3259-
41	196-38-11320	· FLANGE	1	4001-
	176-38-41220	· FLANGE	1	3259-4000
42	07000-02125	· O-RING	1	3259-
43	01010-81270	· BOLT	4	3259-
44	01643-31232	· WASHER	4	3259-
45	196-38-11170	· O-RING	1	3259-4000
	196-38-11171	· COVER	1	4001-
46	07000-02115	· O-RING	1	3259-
47	01010-81030	· BOLT	4	3259-
48	01602-01030	· WASHER	4	3259-
49	04064-06020	· RING	1	3259-
50	196-09-11110	· BEARING,ROLLER	1	3259-
51	196-38-11180	· GEAR	1	3259-
52	06030-21311	· BEARING	1	3259-
53	04080-05512	· HOLDER	1	3259-
54	01010-81230	· BOLT	2	3259-
55	04081-05512	· LOCK	1	3259-
56	196-38-11330	· COVER	1	4001-
	176-38-41250	· COVER	1	3259-4000
57	07000-02125	· O-RING	1	3259-
58	01010-81230	· BOLT	4	3259-
59	01643-31232	· WASHER	4	3259-
60	196-38-11251	· COVER	1	4001-
	196-38-11250	· COVER	1	3259-4000
61	07000-02105	· O-RING	1	3259-
62	01010-81025	· BOLT	4	3259-
63	01602-01030	· WASHER	4	3259-
64	04080-05512	· HOLDER	1	3259-
65	01010-81250	· BOLT	2	3259-
66	04081-05512	· LOCK	1	3259-
67	06041-00211	· BEARING	1	3259-
68	196-38-11220	· GEAR	1	3259-
69	06030-22213	· BEARING	1	3259-
70	07012-00080	· SEAL	1	3259-
71	07000-02125	· O-RING	1	3259-
72	196-38-11241	· COVER	1	4001-
	196-38-11240	· COVER	1	3259-4000
73	01010-81230	· BOLT	4	3259-
74	01643-31232	· WASHER	4	3259-
75	196-38-11231	· COUPLING	1	3259-
76	07000-05240	O-RING	1	3259-
77	07000-03105	O-RING	1	3259-
78	07000-02075	O-RING	1	3259-

**D355C-3 S/N 1800-UP (S6D155-4 Eng. Installed (Chassis only))
@@Q13512**



Ref. 1106

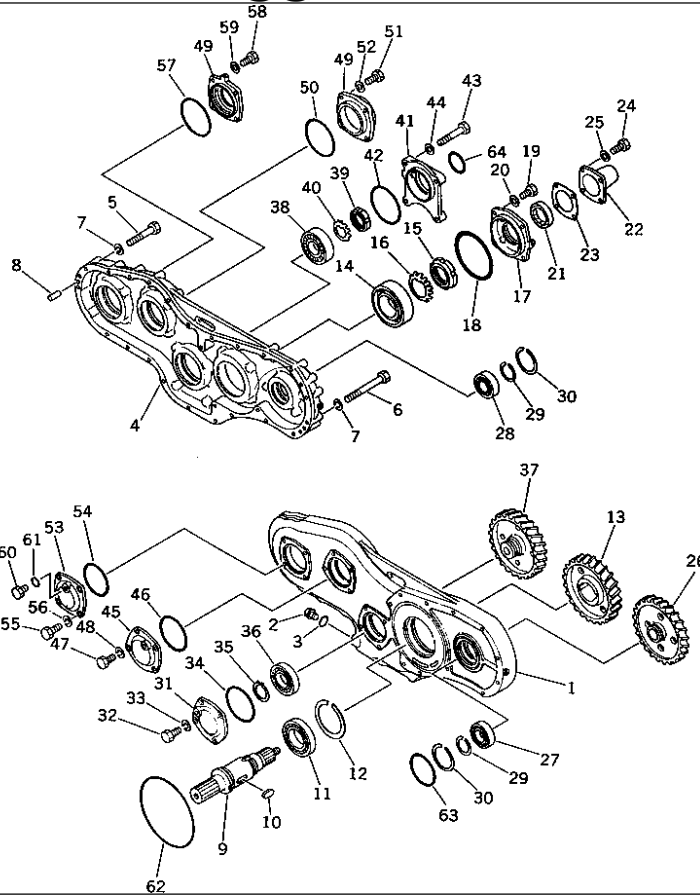
Page 030040

**D355C-3 S/N 1800-UP (S6D155-4 Eng. Installed (Chassis only))
POWER TAKE OFF (2/2)(#3259-)**

Item	Part No.	Part Name	Qty	Serial No.
	196-38-00013	P.T.O ASS'Y	1	13664-
	□196-38-00012	P.T.O ASS'Y	1	4001-13663
	□196-38-00011	P.T.O ASS'Y	1	3259-4000
	THESE ASSEMBLIES CONSIST OF ALL PARTS SHOWN IN FIGS.1105 (1-75)AND FIG.1106			
80	07206-10610	· BOLT	12	3259-
81	07005-01012	· SEAL, WASHER	24	3259-
82	176-38-41130	· NOZZLE	3	3259-
83	08036-10614	· CLIP	6	3259-
84	196-38-11310	· TUBE	1	3259-
85	196-38-11290	· TUBE	1	3259-
86	195-38-11280	· TUBE	1	3259-
87	195-38-11541	· TUBE	1	6131-
	□196-38-11270	· TUBE	1	3259-6130

D355C-3 S/N 1800-UP (S6D155-4 Eng. Installed (Chassis only))

@@B7155H



Ref. 1107

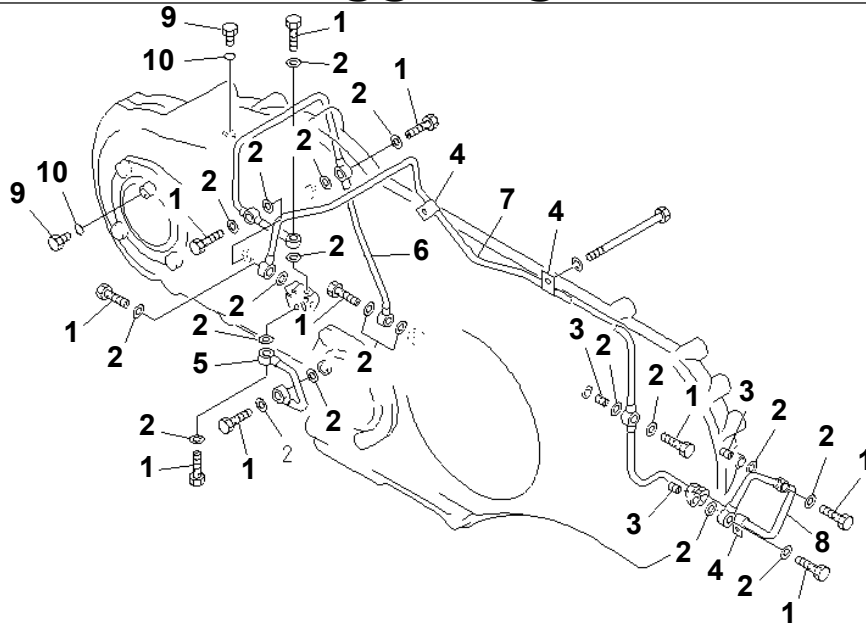
Page 030050

D355C-3 S/N 1800-UP (S6D155-4 Eng. Installed (Chassis only))
POWER TAKE OFF (1/2) (FOR CONVEYER SHIFTER)(#12775-)

Item	Part No.	Part Name	Qty	Serial No.
	196-38-00021	P.T.O ASS'Y	1	13664-
	<input type="checkbox"/> 196-38-00020	P.T.O ASS'Y	1	12775-13663
THESE ASSEMBLIES CONSIST OF ALL PARTS SHOWN IN FIGS.1107 (1-61) AND 1108.				
1	196-38-11111	· CASE	1	12775-
2	07044-12412	· PLUG	1	12775-
3	07002-02434	· O-RING	1	12775-
4	196-38-11121	· CASE	1	12775-
5	01010-81240	· BOLT	11	12775-
6	01010-81280	· BOLT	16	12775-
7	01643-31232	· WASHER	27	12775-
8	04020-01434	· PIN	2	12775-
9	195-38-11210	· SHAFT	1	12775-
10	195-38-11240	· KEY	1	12775-
11	154-01-12280	· BEARING	1	12775-
12	154-01-12210	· RING	1	12775-
13	196-38-11130	· GEAR	1	12775-
14	06040-06314	· BEARING	1	12775-
15	01530-06814	· NUT	1	12775-
16	01658-06823	· WASHER	1	12775-
17	195-38-11230	· COVER	1	12775-
18	07000-05150	· O-RING	1	12775-
19	01010-81230	· BOLT	4	12775-
20	01643-31232	· WASHER	4	12775-
21	07012-00060	· SEAL	1	12775-
22	154-01-12260	· COVER	1	12775-
23	154-01-12271	· GASKET	1	13664-
	<input type="checkbox"/> 154-01-12270	· GASKET	1	12775-13663
24	01010-81025	· BOLT	4	12775-

**D355C-3 S/N 1800-UP (S6D155-4 Eng. Installed (Chassis only))
POWER TAKE OFF (1/2) (FOR CONVEYER SHIFTER)(#12775-)**

Item	Part No.	Part Name	Qty	Serial No.
25	01602-01030	· WASHER	4	12775-
26	195-38-11310	· GEAR	1	12775-
27	195-38-11320	· BEARING	1	12775-
28	06040-06011	· BEARING	1	12775-
29	04066-00055	· RING	2	12775-
30	04067-00090	· RING	2	12775-
31	196-38-11171	· COVER	1	12775-
32	01010-81030	· BOLT	4	12775-
33	01602-01030	· WASHER	4	12775-
34	07000-02115	· O-RING	1	12775-
35	04064-06020	· RING	1	12775-
36	196-09-11110	· BEARING,ROLLER	1	12775-
37	196-38-11140	· GEAR	1	12775-
38	06030-21311	· BEARING	1	12775-
39	01530-05212	· NUT	1	12775-
40	01658-05223	· WASHER	1	12775-
41	196-38-11320	· FLANGE	1	12775-
42	07000-02125	· O-RING	1	12775-
43	01010-81270	· BOLT	4	12775-
44	01643-31232	· WASHER	4	12775-
45	196-38-11171	· COVER	1	12775-
46	07000-02115	· O-RING	1	12775-
47	01010-81030	· BOLT	4	12775-
48	01602-01030	· WASHER	4	12775-
49	196-38-11330	· · COVER	1	12775-
50	07000-02125	· O-RING	1	12775-
51	01010-81230	· BOLT	4	12775-
52	01643-31232	· WASHER	4	12775-
53	196-38-11251	· COVER	1	12775-
54	07000-02105	· O-RING	1	12775-
55	01010-81025	· BOLT	4	12775-
56	01602-01030	· WASHER	4	12775-
57	07000-02125	· O-RING	1	12775-
58	01010-81230	· BOLT	4	12775-
59	01643-31232	· WASHER	4	12775-
60	07040-11007	· PLUG	1	12775-
61	07002-11023	· O-RING	1	12775-
62	07000-05240	O-RING	1	12775-
63	07000-03105	O-RING	1	12775-
64	07000-02075	O-RING	1	12775-



PEB7140

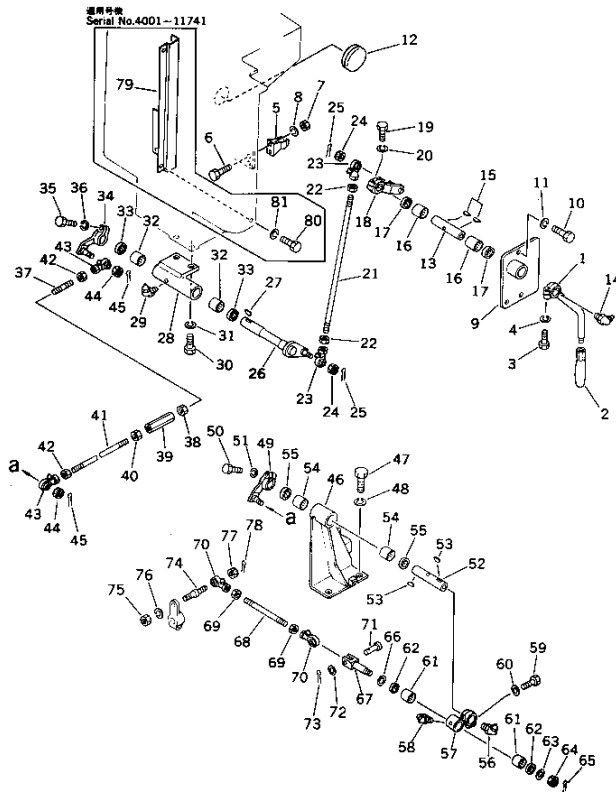
Ref. 1108

Page 030060

**D355C-3 S/N 1800-UP (S6D155-4 Eng. Installed (Chassis only))
POWER TAKE OFF (2/2) (FOR CONVEYER SHIFTER)(#12775-)**

Item	Part No.	Part Name	Qty	Serial No.
	(196-38-00020)	P.T.O ASS'Y THESE ASSEMBLIES CONSIST OF ALL PARTS SHOWN IN FIGS.1107 (1-61) AND 1108.	1	12775-
1	07206-10610	• BOLT	10	12775-
2	07005-01012	• SEAL, WASHER	20	12775-
3	176-38-41130	• NOZZLE	3	12775-
4	08036-10614	• CLIP	4	12775-
5	196-38-31110	• TUBE	1	12775-
6	196-38-11290	• TUBE	1	12775-
7	195-38-11280	• TUBE	1	12775-
8	195-38-11541	• TUBE	1	12775-
9	07040-11007	• PLUG	2	12775-
10	07002-11023	• O-RING	2	12775-

**D355C-3 S/N 1800-UP (S6D155-4 Eng. Installed (Chassis only))
@@Q13514**



Ref. 1111

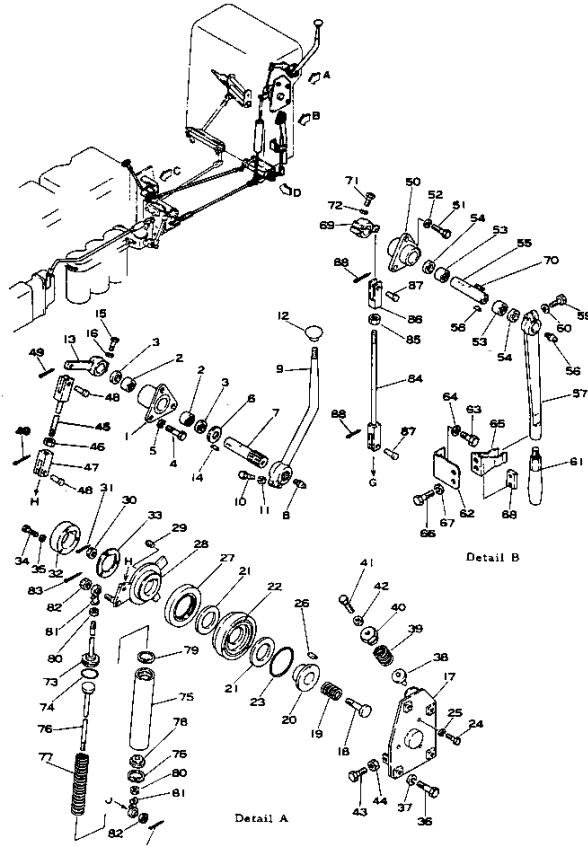
Page 030070

**D355C-3 S/N 1800-UP (S6D155-4 Eng. Installed (Chassis only))
COMPRESSION RELEASE LEVER(#4001-)**

Item	Part No.	Part Name	Qty	Serial No.
1	176-43-43351	LEVER	1	4001-
2	09305-11400	KNOB	1	4001-
3	01010-81035	BOLT	1	4001-
4	01602-01030	WASHER	1	4001-
5	195-43-18361	SPRING	1	4001-
6	01010-81020	BOLT	2	4001-
7	01580-01008	NUT	2	4001-
8	01602-01030	WASHER	2	4001-
9	176-43-43371	BRACKET	1	4001-
10	01010-81030	BOLT	3	4001-
11	01602-01030	WASHER	3	4001-
12	09415-05022	CAP	1	4001-
13	176-43-43361	SHAFT	1	4001-
14	07020-00900	FITTING	1	4001-
15	04010-00519	KEY	2	4001-
16	06120-02520	BEARING	2	4001-
17	06122-02504	SEAL	2	4001-
18	176-43-43391	LEVER	1	4001-
19	01010-81035	BOLT	1	4001-
20	01602-01030	WASHER	1	4001-
21	04245-01058	ROD	1	4001-
22	01582-01008	NUT	2	4001-
23	04250-41056	END	2	4001-
24	01593-01008	NUT	2	4001-
25	04050-02018	PIN	2	4001-
26	176-43-43411	LEVER	1	4001-
27	04010-00519	KEY	1	4001-
28	176-43-43680	BRACKET	1	4001-
29	07020-00900	FITTING	1	4001-

**D355C-3 S/N 1800-UP (S6D155-4 Eng. Installed (Chassis only))
COMPRESSION RELEASE LEVER(#4001-)**

Item	Part No.	Part Name	Qty	Serial No.
30	01010-81230	BOLT	2	4001-
31	01643-31232	WASHER	2	7529-
	□01602-01236	WASHER	2	4001-7528
32	06120-02520	BEARING	2	4001-
33	06122-02504	SEAL	2	4001-
34	175-43-41791	LEVER	1	4001-
35	01010-81035	BOLT	1	4001-
36	01602-01030	WASHER	1	4001-
37	176-43-43210	ROD	1	4001-
38	01508-01006	NUT	1	4001-
39	176-43-43190	BUCKLE	1	4001-
40	01583-01006	NUT	1	4001-
41	04245-01047	ROD	1	4001-
42	01582-01008	NUT	2	4001-
43	04250-41056	END	2	4001-
44	01593-01008	NUT	2	4001-
45	04050-02018	PIN	2	4001-
46	196-43-13130	BRACKET	1	4001-
47	01010-81635	BOLT	2	4001-
48	01643-31645	WASHER	2	7529-
	□01602-01648	WASHER	2	4001-7528
49	175-43-41791	LEVER	1	4001-
50	01010-81035	BOLT	1	4001-
51	01602-01030	WASHER	1	4001-
52	176-43-43690	PIN	1	4001-
53	04010-00519	KEY	2	4001-
54	06120-02520	BEARING	2	4001-
55	06122-02504	SEAL	2	4001-
56	07020-00675	FITTING	1	4001-
57	175-43-41830	LEVER	1	4001-
58	07020-00900	FITTING	1	4001-
59	01010-81035	BOLT	1	4001-
60	01602-01030	WASHER	1	4001-
61	06120-02016	BEARING	2	4001-
62	06122-02004	SEAL	2	4001-
63	01640-01426	WASHER	1	4001-
64	01593-01411	NUT	1	4001-
65	04050-03022	PIN	1	4001-
66	01640-02032	WASHER	1	4001-
67	175-43-41840	YOKE	1	4001-
68	04245-01017	ROD	1	4001-
69	01582-01008	NUT	2	4001-
70	04250-41056	END	2	4001-
71	04205-01035	PIN	1	4001-
72	01641-01016	WASHER	1	4001-
73	04050-03015	PIN	1	4001-
74	176-43-43520	PIN	1	4001-
75	01580-00806	NUT	1	4001-
76	01602-00825	WASHER	1	4001-
77	01593-01008	NUT	1	4001-
78	04050-02018	PIN	1	4001-
79	176-43-43670	COVER	1	4001-11741
80	01010-81230	BOLT	4	4001-11741
81	01643-31232	WASHER	4	7529-11741
	□01602-01236	WASHER	4	4001-7528



D355C-3 S/N 1800-UP (S6D155-4 Eng. Installed (Chassis only))
FUEL CONTROL LEVER (1/4)(#3259-4000)

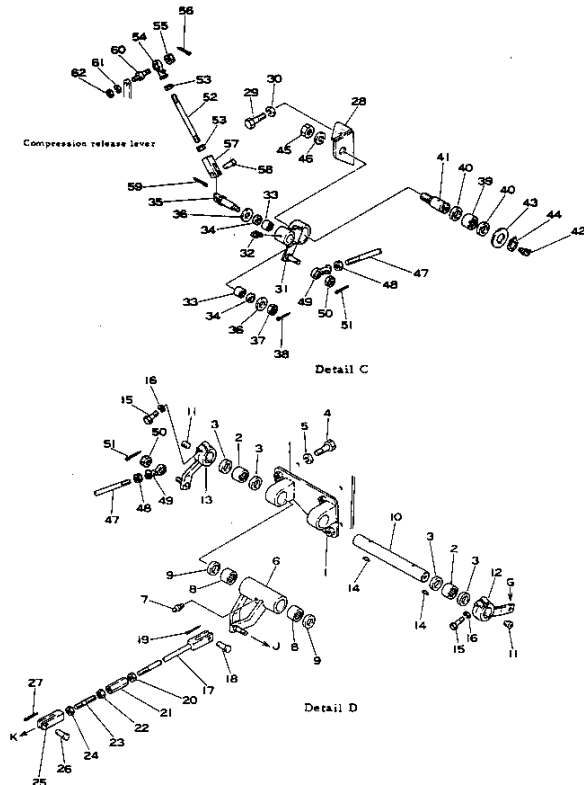
Item	Part No.	Part Name	Qty	Serial No.
1	195-43-15131	BRACKET	1	3259-4000
2	06120-02520	BEARING	2	3259-4000
3	06122-12504	SEAL	2	3259-4000
4	01010-31025	BOLT	3	3259-4000
5	01602-01030	WASHER	3	3259-4000
6	01643-32460	WASHER	1	3259-4000
7	195-43-15121	SHAFT	1	3259-4000
8	07020-00000	FITTING	1	3259-4000
9	176-43-43110	LEVER	1	3259-4000
10	01010-31245	BOLT	1	3259-4000
11	01602-01236	WASHER	1	3259-4000
12	09304-01250	KNOB	1	3259-4000
13	176-43-43120	LEVER	1	3259-4000
14	04010-00519	KEY	1	3259-4000
15	01010-31035	BOLT	1	3259-4000
16	01602-01030	WASHER	1	3259-4000
17	176-43-43140		1	3259-4000
18	175-43-34160	BOLT	1	3259-4000
19	175-43-34150	SPRING	1	3259-4000
20	131-43-28130	CAP	1	3259-4000
21	110-43-15171	PLATE	2	3259-4000
22	175-43-34130	CAGE	1	3259-4000
23	07000-02085	O-RING	1	3259-4000
24	01010-30616	BOLT	3	3259-4000
25	01602-00619	WASHER	3	3259-4000
26	04000-00512	KEY	1	3259-4000
27	07012-00075	SEAL	1	3259-4000
28	176-43-43130		1	3259-4000
29	07042-00108	PLUG	1	3259-4000

D355C-3 S/N 1800-UP (S6D155-4 Eng. Installed (Chassis only))

FUEL CONTROL LEVER (1/4)(#3259-4000)

Item	Part No.	Part Name	Qty	Serial No.
30	01592-01012	NUT	1	3259-4000
31	04050-02018	PIN	1	3259-4000
32	175-43-34170	COVER	1	3259-4000
33	175-43-34180	GASKET	1	3259-4000
34	01010-30635	BOLT	3	3259-4000
35	01602-00619	WASHER	3	3259-4000
36	01010-31025	BOLT	4	3259-4000
37	01602-01030	WASHER	4	3259-4000
38	175-43-34211	PIN	1	3259-4000
39	155-43-12160	SPRING	1	3259-4000
40	155-43-16160	CAP	1	3259-4000
41	01016-31045	BOLT	1	3259-4000
42	01580-01008	NUT	1	3259-4000
43	01016-31045	BOLT	1	3259-4000
44	01580-01008	NUT	1	3259-4000
45	04244-51011	ROD	1	3259-4000
46	01582-01008	NUT	1	3259-4000
47	04210-21040	YOKE	1	3259-4000
48	04205-01028	PIN	2	3259-4000
49	04050-03015	PIN	2	3259-4000
50	176-43-43370	BRACKET	1	3259-4000
51	01010-31025	BOLT	3	3259-4000
52	01602-01030	WASHER	3	3259-4000
53	01602-02520	WASHER	2	3259-4000
54	06122-02504	SEAL	2	3259-4000
55	176-43-43360	PIN	1	3259-4000
56	07020-00000	FITTING	1	3259-4000
57	176-43-43350	LEVER	1	3259-4000
58	04010-00519	KEY	1	3259-4000
59	01010-31035	BOLT	1	3259-4000
60	01602-01030	WASHER	1	3259-4000
61	09305-01400	KNOB	1	3259-4000
62	176-43-43380	BRACKET	1	3259-4000
63	01010-31020	BOLT	2	3259-4000
64	01602-01030	WASHER	2	3259-4000
65	195-43-18360	SPRING	1	3259-4000
66	01010-31020	BOLT	2	3259-4000
67	01602-01030	WASHER	2	3259-4000
68	176-43-43510	PLATE	1	3259-4000
69	176-43-43390		1	3259-4000
70	04010-00519	KEY	1	3259-4000
71	01010-31035	BOLT	1	3259-4000
72	01602-01030	WASHER	1	3259-4000
73	175-43-34242	ROD	1	3259-4000
74	07000-03035	O-RING	1	3259-4000
75	175-43-34262	CYLINDER	1	3259-4000
76	176-43-43150	ELBOW	1	3259-4000
77	155-43-12193	SPRING	1	3259-4000
78	155-43-12211	COLLAR	1	3259-4000
79	04065-04018	RING	2	3259-4000
80	01582-01008	NUT	2	3259-4000
81	04250-41056	END	2	3259-4000
82	01593-01008	NUT	2	3259-4000
83	04050-02018	PIN	2	3259-4000
84	04244-51037	ROD	1	3259-4000
85	01582-01008	NUT	1	3259-4000
86	04211-21055	YOKE	1	3259-4000
87	04205-01028	PIN	2	3259-4000
88	04050-03015	PIN	2	3259-4000

**D355C-3 S/N 1800-UP (S6D155-4 Eng. Installed (Chassis only))
@@Q13516**



Ref. 1113

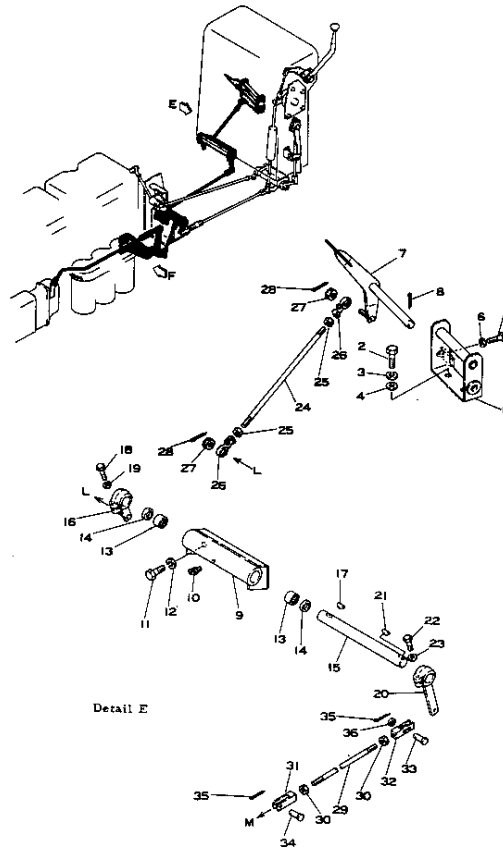
Page 030090

**D355C-3 S/N 1800-UP (S6D155-4 Eng. Installed (Chassis only))
FUEL CONTROL LEVER (2/4)(#3259-4000)**

Item	Part No.	Part Name	Qty	Serial No.
1	176-43-43170	BRACKET	1	3259-4000
2	06120-02520	BEARING	2	3259-4000
3	06122-02504	SEAL	4	3259-4000
4	01010-31230	BOLT	3	3259-4000
5	01602-01236	WASHER	3	3259-4000
6	176-43-43160	LEVER	1	3259-4000
7	07020-00000	FITTING	1	3259-4000
8	06120-02520	BEARING	2	3259-4000
9	06122-12504	SEAL	2	3259-4000
10	176-43-00080	SHAFT ASS'Y	1	3259-4000
11	07043-00108	PLUG	2	3259-4000
12	176-43-43410	LEVER	1	3259-4000
13	176-43-43420	LEVER	1	3259-4000
14	04010-00519	KEY	2	3259-4000
15	01010-31035	BOLT	2	3259-4000
16	01602-01030	WASHER	2	3259-4000
17	04244-41052	ROD	1	3259-4000
18	04205-01028	PIN	1	3259-4000
19	04050-03015	PIN	1	3259-4000
20	01583-01006	NUT	1	3259-4000
21	176-43-43190	BUCKLE	1	3259-4000
22	01508-11006	NUT	1	3259-4000
23	176-43-43210	ROD	1	3259-4000
24	01582-01008	NUT	1	3259-4000
25	04211-21055	YOKE	1	3259-4000
26	04205-01028	PIN	1	3259-4000
27	04050-03015	PIN	1	3259-4000
28	176-43-43440	BOLT	1	3259-4000
29	01010-31230	BOLT	2	3259-4000

**D355C-3 S/N 1800-UP (S6D155-4 Eng. Installed (Chassis only))
FUEL CONTROL LEVER (2/4)(#3259-4000)**

Item	Part No.	Part Name	Qty	Serial No.
30	01602-01236	WASHER	2	3259-4000
31	176-43-43430		1	3259-4000
32	07020-00675	FITTING	1	3259-4000
33	06120-01612	BEARING	2	3259-4000
34	06122-01603	SEAL	2	3259-4000
35	176-43-43450		1	3259-4000
36	01640-21626	WASHER	2	3259-4000
37	01593-01210	NUT	1	3259-4000
38	04050-03020	PIN	1	3259-4000
39	06120-02520	BEARING	1	3259-4000
40	06122-02504	SEAL	2	3259-4000
41	195-43-15761	SHAFT	1	3259-4000
42	07020-00675	FITTING	1	3259-4000
43	195-43-12370	WASHER	1	3259-4000
44	04064-02512	RING	1	3259-4000
45	01580-01815	NUT	1	3259-4000
46	01602-01854	WASHER	1	3259-4000
47	04245-41071	ROD	1	3259-4000
48	01582-01008	NUT	2	3259-4000
49	04250-41056	END	2	3259-4000
50	01593-01008	NUT	2	3259-4000
51	04050-02018	PIN	2	3259-4000
52	04245-41014	ROD	1	3259-4000
53	01582-01008	NUT	2	3259-4000
54	04250-41056	END	1	3259-4000
55	01593-01008	NUT	1	3259-4000
56	04050-02018	PIN	1	3259-4000
57	04210-21040	YOKE	1	3259-4000
58	04205-01028	PIN	1	3259-4000
59	04050-03015	PIN	1	3259-4000
60	176-43-43520	PIN	1	3259-4000
61	01580-10806	NUT	1	3259-4000
62	01602-00825	WASHER	1	3259-4000



D355C-3 S/N 1800-UP (S6D155-4 Eng. Installed (Chassis only))
FUEL CONTROL LEVER (3/4)(#3259-4000)

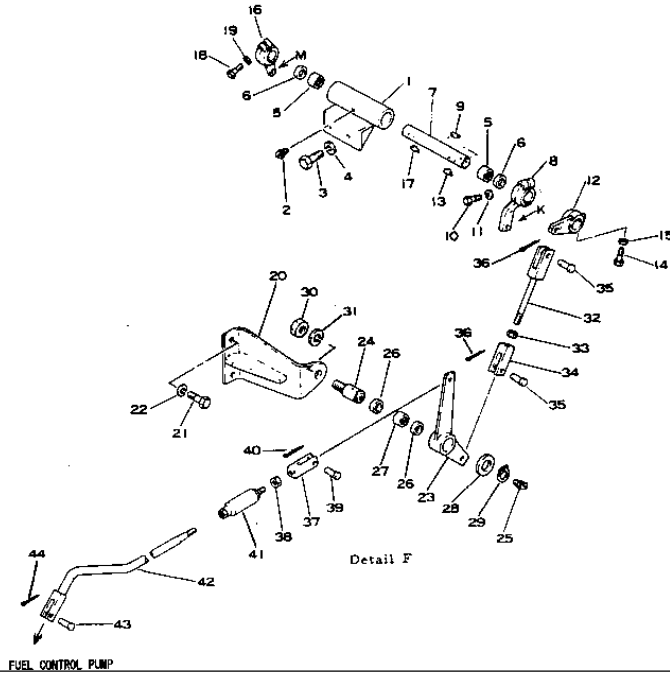
Item	Part No.	Part Name	Qty	Serial No.
1	176-43-43250	SUPPORT	1	3259-4000
2	01010-31230	BOLT	2	3259-4000
3	01602-01236	WASHER	2	3259-4000
4	01643-31232	WASHER	2	3259-4000
5	01016-30830	BOLT	2	3259-4000
6	01580-00806	NUT	2	3259-4000
7	176-43-43260		1	3259-4000
8	04050-04025	PIN	1	3259-4000
9	176-43-43310		1	3259-4000
10	07020-00675	FITTING	1	3259-4000
11	01010-31025	BOLT	3	3259-4000
12	01602-01030	WASHER	3	3259-4000
13	06120-02520	BEARING	2	3259-4000
14	06122-02504	SEAL	2	3259-4000
15	176-43-43290	SHAFT	1	3259-4000
16	176-43-43270		1	3259-4000
17	04010-00519	KEY	1	3259-4000
18	01010-31035	BOLT	1	3259-4000
19	01602-01030	WASHER	1	3259-4000
20	176-43-43280		1	3259-4000
21	04010-00519	KEY	1	3259-4000
22	01010-31035	BOLT	1	3259-4000
23	01602-01030	WASHER	1	3259-4000
24	04245-40837	ROD	1	3259-4000
25	01580-00806	NUT	2	3259-4000
26	04250-40847	END	2	3259-4000
27	01590-00809	NUT	2	3259-4000
28	04050-02015	PIN	2	3259-4000
29	04245-40850	ROD	1	3259-4000

D355C-3 S/N 1800-UP (S6D155-4 Eng. Installed (Chassis only))

FUEL CONTROL LEVER (3/4)(#3259-4000)

Item	Part No.	Part Name	Qty	Serial No.
30	01580-00806	NUT	2	3259-4000
31	04211-20844	YOKE	2	3259-4000
32	176-43-43480	YOKE	1	3259-4000
33	04205-00825	PIN	1	3259-4000
34	04205-00822	PIN	1	3259-4000
35	04050-02012	PIN	2	3259-4000
36	01641-20812	WASHER	1	3259-4000

**D355C-3 S/N 1800-UP (S6D155-4 Eng. Installed (Chassis only))
@@Q13518**



Ref. 1115

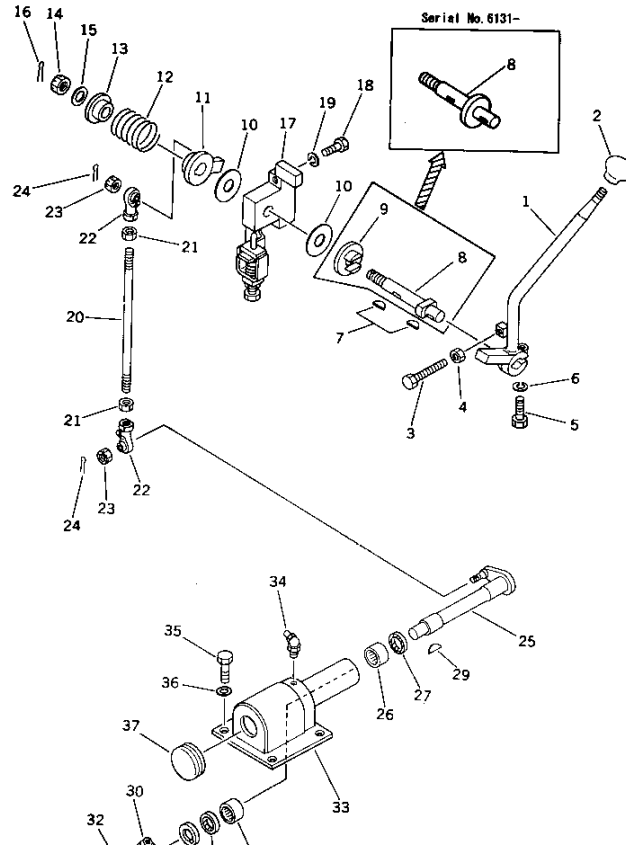
Page 030110

**D355C-3 S/N 1800-UP (S6D155-4 Eng. Installed (Chassis only))
FUEL CONTROL LEVER (4/4)(#3259-4000)**

Item	Part No.	Part Name	Qty	Serial No.
1	196-43-13120	BRACKET	1	3259-4000
2	07020-00675	FITTING	1	3259-4000
3	01010-31230	BOLT	2	3259-4000
4	01602-01236	WASHER	2	3259-4000
5	06120-02520	BEARING	2	3259-4000
6	06122-02504	SEAL	2	3259-4000
7	196-43-13110	SHAFT	1	3259-4000
8	176-43-43340		1	3259-4000
9	04010-00519	KEY	1	3259-4000
10	01010-31035	BOLT	1	3259-4000
11	01602-01030	WASHER	1	3259-4000
12	176-43-43530	LEVER	1	3259-4000
13	04010-00519	KEY	1	3259-4000
14	01010-31035	BOLT	1	3259-4000
15	01602-01030	WASHER	1	3259-4000
16	176-43-43320	LEVER	1	3259-4000
17	04010-00519	KEY	1	3259-4000
18	01010-31035	BOLT	1	3259-4000
19	01602-01030	WASHER	1	3259-4000
20	175-43-34430	BRACKET	1	3259-4000
21	01010-31230	BOLT	2	3259-4000
22	01602-01236	WASHER	2	3259-4000
23	176-43-43490	LEVER	1	3259-4000
24	195-43-15761	SHAFT	1	3259-4000
25	07020-00675	FITTING	1	3259-4000
26	06122-12504	SEAL	2	3259-4000
27	06120-02520	BEARING	1	3259-4000
28	195-43-12370	WASHER	1	3259-4000
29	04064-02512	RING	1	3259-4000

**D355C-3 S/N 1800-UP (S6D155-4 Eng. Installed (Chassis only))
FUEL CONTROL LEVER (4/4)(#3259-4000)**

Item	Part No.	Part Name	Qty	Serial No.
30	01580-01815	NUT	1	3259-4000
31	01602-01854	WASHER	1	3259-4000
32	04244-51013	ROD	1	3259-4000
33	01582-01008	NUT	1	3259-4000
34	04211-01055	YOKE	1	3259-4000
35	04205-01028	PIN	2	3259-4000
36	04050-03015	PIN	2	3259-4000
37	04211-01055	YOKE	1	3259-4000
38	01582-01008	NUT	2	3259-4000
39	04205-01028	PIN	1	3259-4000
40	04050-03015	PIN	1	3259-4000
41	175-43-34500	ABSORBER ASS'Y	2	3259-4000
42	175-43-34313	ROD	1	3259-4000
43	04205-00822	PIN	1	3259-4000
44	04050-02012	PIN	1	3259-4000



Ref. 1116

Page 030120

D355C-3 S/N 1800-UP (S6D155-4 Eng. Installed (Chassis only))

FUEL CONTROL LEVER(#4001-)

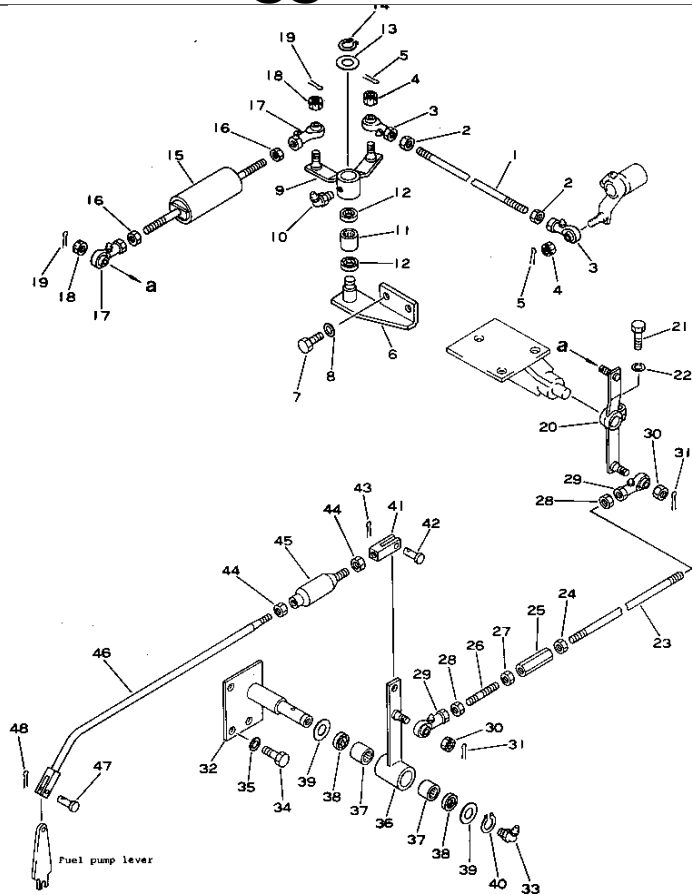
Item	Part No.	Part Name	Qty	Serial No.
1	176-43-43111	LEVER	1	4001-
2	09304-01250	KNOB	1	4001-
3	01016-30860	BOLT	1	4001-
4	01580-00806	NUT	1	4001-
5	01010-81035	BOLT	1	4001-
6	01602-01030	WASHER	1	4001-
7	04010-00722	KEY	2	4001-
8	176-43-43561	PIN	1	6131-
	□176-43-43560	PIN	1	4001-6130
9	176-43-43570	RETAINER	1	4001-6130
10	176-43-43581	FACING	2	13664-
	□176-43-43580	FACING	2	4001-13663
11	176-43-43590	LEVER	1	4001-
12	176-43-43620	SPRING	1	4001-
13	176-43-43610	RETAINER	1	4001-
14	01590-01821	NUT	1	4001-
15	01640-01826	WASHER	1	4001-
16	04050-04035	PIN	1	4001-
17	176-45-43541	BRACKET	1	4001-
18	01010-81230	BOLT	2	4001-
19	01643-31232	WASHER	2	4001-
20	04245-01026	ROD	1	4001-
21	01582-01008	NUT	2	4001-
22	04250-41056	END	2	4001-
23	01593-01008	NUT	2	4001-
24	04050-02018	PIN	2	4001-
25	176-43-43640	LEVER	1	4001-
26	06120-02520	BEARING	2	4001-
27	06122-02504	SEAL	2	4001-

D355C-3 S/N 1800-UP (S6D155-4 Eng. Installed (Chassis only))

FUEL CONTROL LEVER(#4001-)

Item	Part No.	Part Name	Qty	Serial No.
28	198-61-13230	WASHER	1	4001-
29	04010-00519	KEY	1	4001-
30	176-43-43650	LEVER	1	4001-
31	01010-80830	BOLT	1	4001-
32	01602-00825	WASHER	1	4001-
33	176-43-43630	BRACKET	1	4001-
34	07020-00675	FITTING	1	4001-
35	01010-81230	BOLT	4	4001-
36	01643-31232	WASHER	4	7529-
	□01602-01236	WASHER	4	4001-7528
37	09415-03614	CAP	1	4001-

@@Q13520



D355C-3 S/N 1800-UP (S6D155-4 Eng. Installed (Chassis only))

FUEL CONTROL LINKAGE(#4001-)

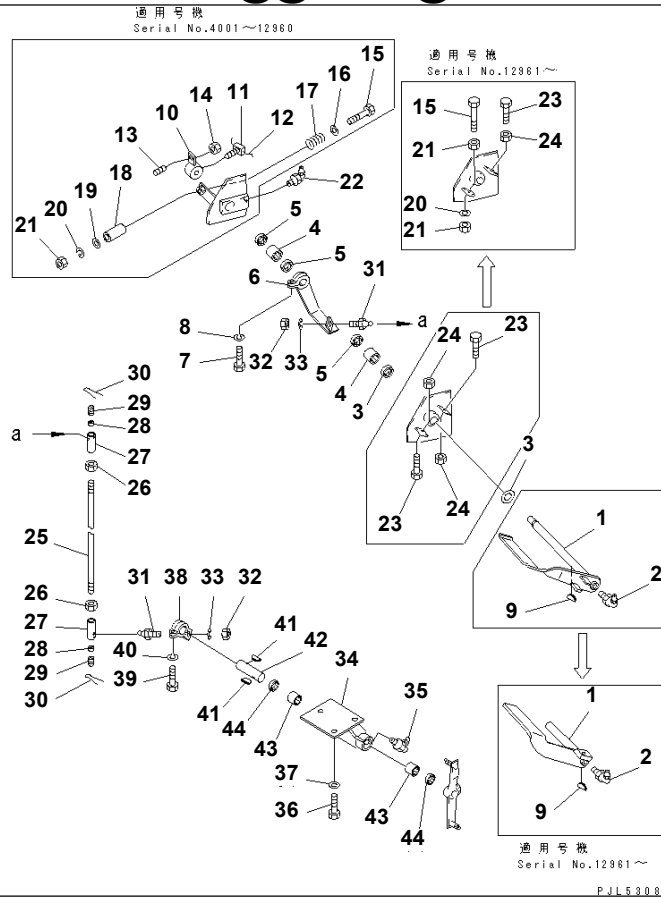
Item	Part No.	Part Name	Qty	Serial No.
1	04245-01027	ROD	1	4001-
2	01582-01008	NUT	2	4001-
3	04250-41056	END	2	4001-
4	01593-01008	NUT	2	4001-
5	04050-02018	PIN	2	4001-
6	175-43-41631	BRACKET	1	4001-
7	01010-81230	BOLT	2	4001-
8	01643-31232	WASHER	2	7529-
	□01602-01236	WASHER	2	4001-7528
9	175-43-41621	LEVER	1	4001-
10	07020-00675	FITTING	1	4001-
11	06120-02016	BEARING	1	4001-
12	06122-02004	SEAL	2	4001-
13	01640-01826	WASHER	1	4001-
14	04064-01812	RING	1	4001-
15	175-43-42441	ROD ASS'Y	1	4001-
16	01582-01008	NUT	2	4001-
17	04250-41056	END	2	4001-
18	01593-01008	NUT	2	4001-
19	04050-02018	PIN	2	4001-
20	176-43-43161	LEVER	1	4001-
21	01010-80830	BOLT	1	4001-
22	01602-00825	WASHER	1	4001-
23	04245-01091	ROD	1	4001-
24	01583-01006	NUT	1	4001-
25	176-43-43190	BUCKLE	1	4001-
26	176-43-43210	ROD	1	4001-
27	01508-01006	NUT	1	4001-
28	01582-01008	NUT	2	4001-

D355C-3 S/N 1800-UP (S6D155-4 Eng. Installed (Chassis only))**FUEL CONTROL LINKAGE(#4001-)**

Item	Part No.	Part Name	Qty	Serial No.
29	04250-41056	END	2	4001-
30	01593-01008	NUT	2	4001-
31	04050-02018	PIN	2	4001-
32	176-43-43660	BRACKET	1	4001-
33	07020-00675	FITTING	1	4001-
34	01010-81235	BOLT	2	4001-
35	01643-31232	WASHER	2	7529-
	□01602-01236	WASHER	2	4001-7528
36	175-43-34452	LEVER	1	4001-
37	06120-02016	BEARING	2	4001-
38	06122-02004	SEAL	2	4001-
39	01640-02032	WASHER	2	4001-
40	04064-02012	RING	1	4001-
41	04211-01055	YOKE	1	4001-
42	04205-01028	PIN	1	4001-
43	04050-03015	PIN	1	4001-
44	01582-01008	NUT	2	4001-
45	175-43-34500	ABSORBER ASS'Y	1	4001-
46	175-43-34314	ROD	1	4001-
47	04205-00822	PIN	1	4001-
48	04050-02012	PIN	1	4001-

D355C-3 S/N 1800-UP (S6D155-4 Eng. Installed (Chassis only))

@@L5308@



Ref. 1119

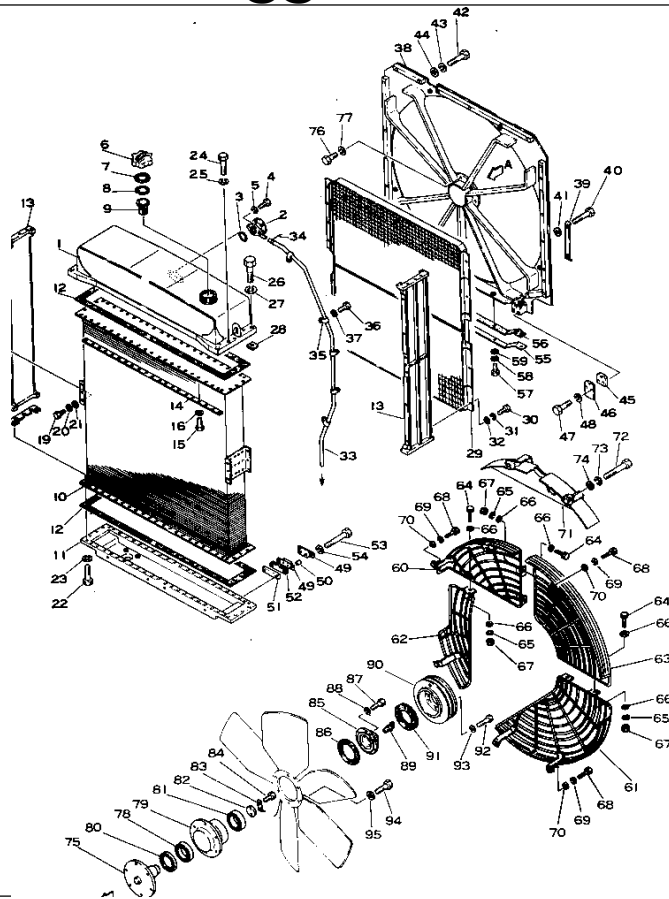
Page 030140

D355C-3 S/N 1800-UP (S6D155-4 Eng. Installed (Chassis only))
DECELERATOR PEDAL(#4001-)

Item	Part No.	Part Name	Qty	Serial No.
1	154-43-14573	PEDAL	1	12961-
	□154-43-14572	PEDAL	1	6009-12960
	□154-43-14570	PEDAL	1	4001-6008
2	07020-00900	FITTING,GREASE	2	12961-13904
	07020-00900	FITTING,GREASE	1	4001-12960
3	01640-02032	WASHER	1	4001-
4	195-61-34130	BEARING	2	9001-
	06120-02016	BEARING	2	4001-9000
5	06122-02004	SEAL	4	4001-9000
6	176-43-43750	LEVER	1	4001-
7	01010-80830	BOLT	1	4001-
8	01602-00825	WASHER	1	4001-
9	04010-00519	KEY	1	4001-
10	175-43-35240	LEVER	1	4001-12960
11	01306-00616	SCREW	1	4001-12960
12	04059-01016	WIRE	1	4001-12960
13	175-43-35210	SCREW	1	4001-
14	01582-01008	NUT	1	4001-
15	01016-31660	BOLT	1	12961-
	01010-81055	BOLT	1	4001-12960
16	175-43-35230	SPACER	1	4001-12960
17	175-43-35190	SPRING	1	4001-12960
18	175-43-35220	COLLAR	1	4001-12960
19	01643-31032	WASHER	1	4001-12960
20	01643-31645	WASHER	1	12961-
	01602-01030	WASHER	1	4001-12960
21	01580-11613	NUT	2	12961-
	01580-01008	NUT	1	4001-12960
22	07020-00900	FITTING	1	4001-

**D355C-3 S/N 1800-UP (S6D155-4 Eng. Installed (Chassis only))
 DECELERATOR PEDAL(#4001-)**

Item	Part No.	Part Name	Qty	Serial No.
23	01016-30845	BOLT	1	12961-
	01016-30835	BOLT	2	4001-12960
24	01580-00806	NUT	1	12961-
	01580-00806	NUT	2	4001-12960
25	04245-00827	ROD	1	4001-
26	01580-00806	NUT	2	4001-
27	175-43-35260	JOINT	2	4001-
28	154-44-14560	SEAT	2	4001-
29	154-54-14570	SEAT	2	4001-
30	04050-02022	PIN	2	4001-
31	154-44-14540	BALL	2	4001-
32	01580-00806	NUT	2	4001-
33	01602-00825	WASHER	2	4001-
34	176-43-43171	BRACKET	1	4001-
35	07020-00900	FITTING	1	4001-
36	01010-81230	BOLT	3	4001-
37	01643-31232	WASHER	3	7529-
	□01602-01236	WASHER	3	4001-7528
38	176-43-43281	LEVER	1	4001-
39	01010-80830	BOLT	1	4001-
40	01602-00825	WASHER	1	4001-
41	04010-00519	KEY	2	4001-
42	175-43-41890	SHAFT	1	4001-
43	06123-02018	BEARING	2	13905-
	□06120-02016	BEARING	2	4001-13904
44	06122-02004	SEAL	2	4001-



D355C-3 S/N 1800-UP (S6D155-4 Eng. Installed (Chassis only))
RADIATOR(#3259-4000)

Item	Part No.	Part Name	Qty	Serial No.
	175-03-00115	RADIATOR ASS'Y	1	3259-4000
1	175-03-31118	· TANK	1	3259-4000
2	154-03-11681	· VALVE	1	3259-4000
3	07000-03045	· O-RING	1	3259-4000
4	01010-31025	· BOLT	2	3259-4000
5	01602-01030	· WASHER	2	3259-4000
6	07053-10000	· CAP	1	3259-4000
7	175-03-21460	· GASKET	1	3259-4000
8	170-03-91180	· RING	1	3259-4000
9	6685-61-7140	· STRAINER	1	3259-4000
10	175-03-32260	· CORE	1	3259-4000
11	175-03-31880	· TANK	1	3259-4000
12	175-03-31152	· PACKING	2	3259-4000
13	175-03-31690	· SHIELD	2	3259-4000
14	175-03-31180	· PLATE	4	3259-4000
15	01010-31025	· BOLT	84	3259-4000
16	01602-01030	· WASHER	84	3259-4000
17	175-03-00193	· SHIM ASS'Y	2	3259-4000
18	175-03-31490	· SHIM, 0.6MM	8	3259-4000
19	01010-31020	· BOLT	12	3259-4000
20	01602-01030	· WASHER	12	3259-4000
21	01640-01016	· WASHER	12	3259-4000
22	01010-31245	· BOLT	10	3259-4000
23	01602-01236	· WASHER	10	3259-4000
24	01010-31255	· BOLT	10	3259-4000
25	01602-01236	· WASHER	10	3259-4000
26	01010-31860	BOLT	4	3259-4000
27	01602-01854	WASHER	4	3259-4000
28	195-03-00080	SHIM ASS'Y	4	3259-4000



Download the full PDF manual instantly.

Our customer service e-mail:

aservicemanualpdf@yahoo.com