

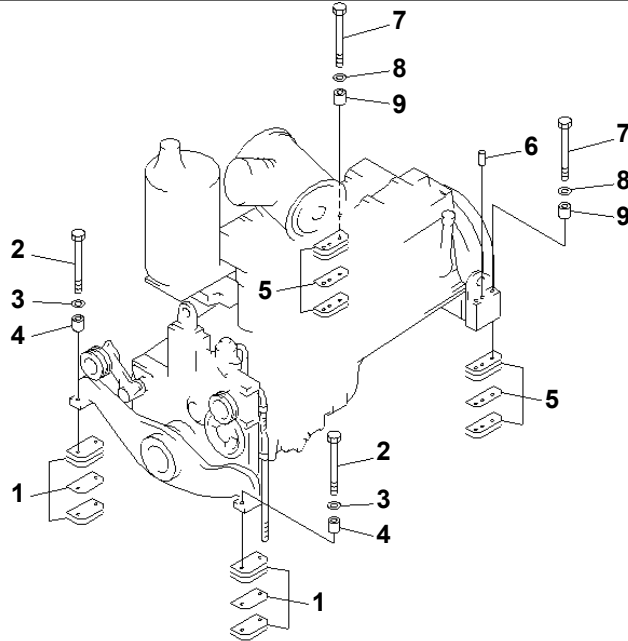
D155C-1 S/N 15686-UP (SA6D140-2 Eng. Installed)
D155C-1 S/N 15686-UP (SA6D140-2 Eng. Installed)

Item	Part Name
	SA6D140-2D-G S/N 22537-UP
B0	ENGINE RELATED PARTS
C0	COOLING SYSTEM
D0	FUEL TANK AND RELATED PARTS
E0	ELECTRICAL SYSTEM
F0	POWER TRAIN AND FINAL DRIVE
H0	HYDRAULIC SYSTEM
J0	MAIN FRAME AND RELATED PARTS
K0	OPERATOR'S COMPARTMENT AND CONTROL SYSTEM
M0	GUARD
R0	UNDER CARRIAGE
T0	WORK EQUIPMENT
U0	MARKS AND PLATES
V0	ACCESSORY
W0	MISCELLANEOUS
Y0	SERVICE KIT AND COMPONENT PARTS

D155C-1 S/N 15686-UP (SA6D140-2 Eng. Installed)

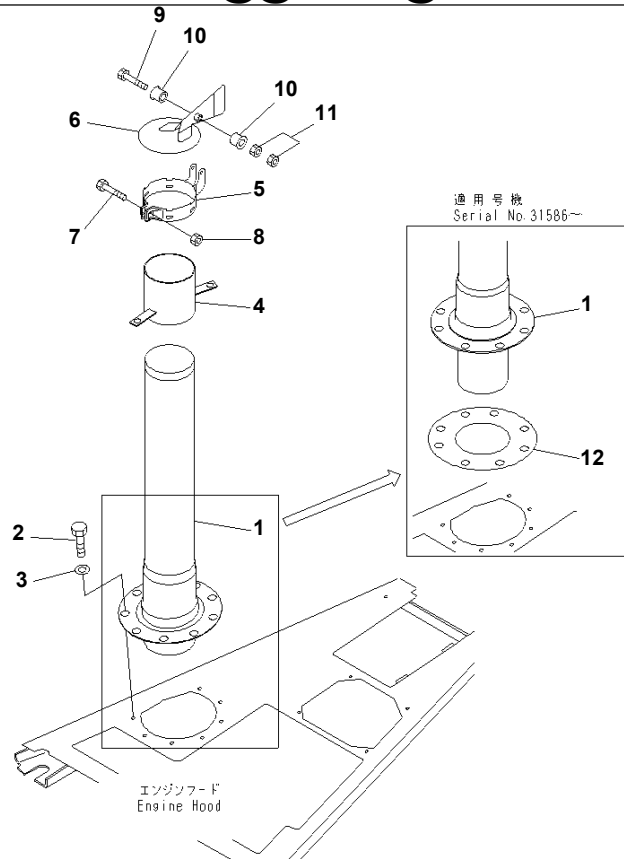
ENGINE RELATED PARTS

Item	Part Name	Qty
10	ENGINR MOUNTING (FOR 140 ENGINE)(#31586-)	1
20	EXHAUST PIPE (FOR 140 ENGINE)(#31586-)	1



D155C-1 S/N 15686-UP (SA6D140-2 Eng. Installed)
ENGINE MOUNTING (FOR 140 ENGINE)(#31586-)

Item	Part No.	Part Name	Qty	Serial No.
1	175-01-00072	SHIM ASS'Y,FRONT	2	31586-
	☆	· SHIM, 1.0MM	3	31586-
	☆	· SHIM, 0.5MM	1	31586-
	☆	· SHIM, 0.2MM	2	31586-
2	01011-82210	BOLT	4	31586-
3	01643-32260	WASHER	4	31586-
4	195-01-11190	SPACER	4	31586-
5	175-01-00082	SHIM ASS'Y,REAR	2	31586-
	☆	· SHIM, 1.0MM	3	31586-
	☆	· SHIM, 0.5MM	1	31586-
	☆	· SHIM, 0.2MM	2	31586-
6	170-01-11120	PIN,DOWEL	1	31586-
7	01011-82210	BOLT	4	31586-
8	01643-32260	WASHER	4	31586-
9	195-01-11190	SPACER	4	31586-



D155C-1 S/N 15686-UP (SA6D140-2 Eng. Installed)
EXHAUST PIPE (FOR 140 ENGINE)(#31586-)

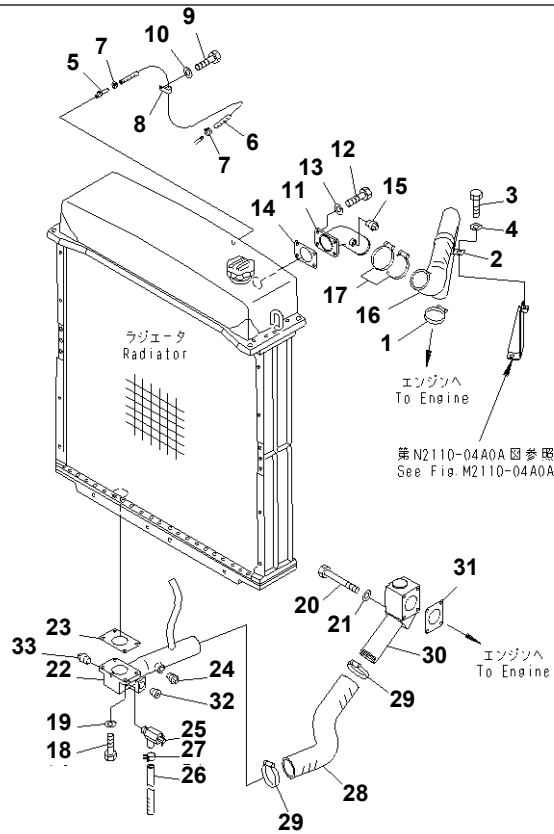
Item	Part No.	Part Name	Qty	Serial No.
1	6211-12-5930	PIPE	1	31586-
2	195-54-43210	BOLT	8	31586-
3	175-54-34170	WASHER	8	31586-
4	176-01-55611	DUCT,(FOR SHIPPING)	1	31586-
	20Y-01-12300	CAP,RAIN	1	31586-
5	205-01-85160	・ BAND	1	31586-
6	20Y-01-12310	・ PLATE	1	31586-
7	6715-11-5290	・ BOLT	2	31586-
8	01580-10605	・ NUT	2	31586-
9	6715-11-5270	・ BOLT	1	31586-
10	6715-11-5280	・ BUSHING	2	31586-
11	01580-11008	・ NUT	2	31586-
12	176-01-55660	PLATE	1	31643-

D155C-1 S/N 15686-UP (SA6D140-2 Eng. Installed)

COOLING SYSTEM

Item	Part Name	Qty
10	RADIATOR PIPING (FOR 140 ENGINE)(#31586-)	1
20	RADIATOR FAN BELT (FOR 140 ENGINE)(#31586-)	1
30	RADIATOR FAN BELT (FOR 140 ENGINE) (COOLING FAN-BLOWR)(#31586-)	1
40	OIL COOLER (FOR 140 ENGINE)(#31586-)	1

D155C-1 S/N 15686-UP (SA6D140-2 Eng. Installed)
00007958



00007958

Ref. C0120-01A1

Page 060010

D155C-1 S/N 15686-UP (SA6D140-2 Eng. Installed)
RADIATOR PIPING (FOR 140 ENGINE)(#31586-)

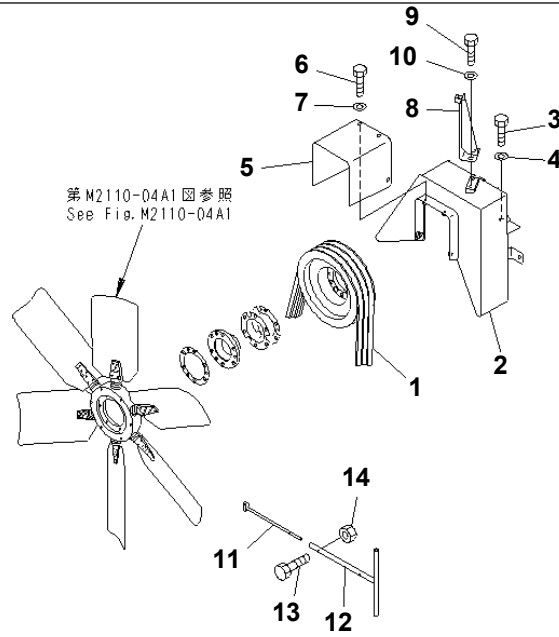
Item	Part No.	Part Name	Qty	Serial No.
1	07289-00080	CLAMP	1	31586-
2	281-03-11710	CLIP	1	31586-
3	01010-81225	BOLT	1	31586-
4	01643-31232	WASHER	1	31586-
5	195-03-17210	NIPPLE	1	31586-
6	09483-40313	HOSE	1	31586-
7	07281-00197	CLAMP	2	31586-
8	04434-51712	CLIP	2	31586-
9	01010-81220	BOLT	1	31586-
10	01643-31232	WASHER	1	31586-
11	176-03-55310	TUBE	1	31586-
12	01010-81230	BOLT	4	31586-
13	01643-31232	WASHER	4	31586-
14	195-03-11341	GASKET	1	31586-
15	07042-10108	PLUG	1	31586-
16	175-03-71540	HOSE	1	31586-
17	07289-00070	CLAMP	2	31586-
18	01010-81235	BOLT	4	31586-
19	01643-31232	WASHER	4	31586-
20	01011-81015	BOLT	4	31586-
21	01643-31032	WASHER	4	31586-
22	176-03-55320	TUBE	1	31586-
23	195-03-11371	GASKET	1	31586-
24	07042-30415	PLUG	1	31586-
25	195-03-13241	VALVE	1	31586-
26	175-03-31530	HOSE	1	31586-
27	07285-00155	CLIP	1	31586-
28	176-03-55330	HOSE	1	31586-
29	07289-00095	CLAMP	2	31586-

Reference:C0120-01A1

Page:060010

D155C-1 S/N 15686-UP (SA6D140-2 Eng. Installed)
RADIATOR PIPING (FOR 140 ENGINE)(#31586-)

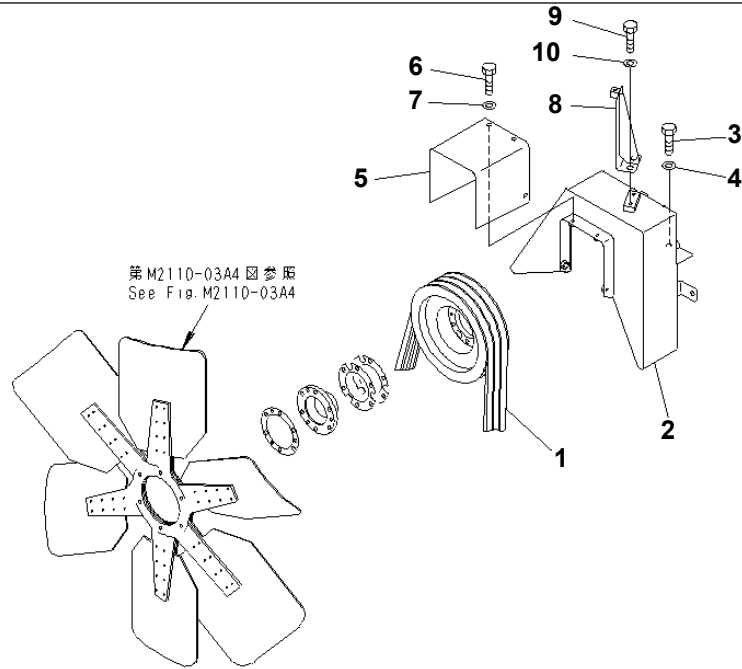
Item	Part No.	Part Name	Qty	Serial No.
30	176-03-55341	TUBE	1	31586-
31	17A-03-13170	GASKET	1	31586-
32	07043-71019	PLUG	1	31586-
33	07042-30108	PLUG	1	31586-



D155C-1 S/N 15686-UP (SA6D140-2 Eng. Installed)
RADIATOR FAN BELT (FOR 140 ENGINE)(#31586-)

Item	Part No.	Part Name	Qty	Serial No.
1	04122-22573	V-BELT SET	1	31654-
	04122-22575	V-BELT SET	1	31586-31653
2	176-03-55221	COVER	1	31654-
	□176-03-55220	COVER	1	31586-31653
3	01010-81225	BOLT	6	31654-
	01010-81225	BOLT	5	31586-31653
4	01643-31232	WASHER	6	31654-
	01643-31232	WASHER	5	31586-31653
5	196-03-32410	COVER	1	31586-
6	01010-81020	BOLT	4	31586-
7	01643-31032	WASHER	4	31586-
8	196-03-32290	BRACKET	1	31586-
9	01010-81225	BOLT	2	31586-
10	01643-31232	WASHER	2	31586-
	175-900-3910	LEVER ASS'Y	1	31586-
11	175-900-3920	· BAR	1	31586-
12	175-900-3930	· HANDLE	1	31586-
13	01010-80625	· BOLT	1	31586-
14	01580-10605	· NUT	1	31586-

D155C-1 S/N 15686-UP (SA6D140-2 Eng. Installed)
00052791



Ref. C0200-01A3

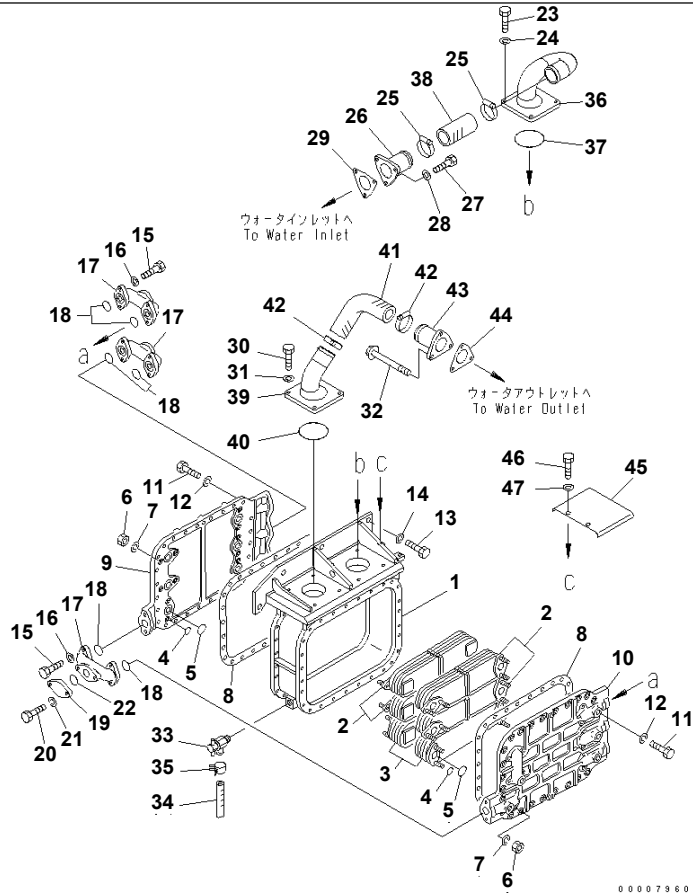
00052791

Page 060030

D155C-1 S/N 15686-UP (SA6D140-2 Eng. Installed)
RADIATOR FAN BELT (FOR 140 ENGINE) (COOLING FAN-BLOWR)(#31586-)

Item	Part No.	Part Name	Qty	Serial No.
1	04122-22573	V-BELT SET	1	31586-
2	176-03-55221	COVER	1	31586-
3	01010-81225	BOLT	6	31586-
4	01643-31232	WASHER	6	31586-
5	196-03-32410	COVER	1	31586-
6	01010-81020	BOLT	4	31586-
7	01643-31032	WASHER	4	31586-
8	196-03-32290	BRACKET	1	31586-
9	01010-81225	BOLT	2	31586-
10	01643-31232	WASHER	2	31586-

**D155C-1 S/N 15686-UP (SA6D140-2 Eng. Installed)
00007960**



Ref. C0400-01A1

Page 060040

**D155C-1 S/N 15686-UP (SA6D140-2 Eng. Installed)
OIL COOLER (FOR 140 ENGINE)(#31586-)**

Item	Part No.	Part Name	Qty	Serial No.
1	176-03-55110	CASE	1	31586-
2	195-03-19130	COOLER	4	31586-
3	196-03-13140	COOLER	2	31586-
4	07000-72014	O-RING	24	31586-
5	07000-73032	O-RING	12	31586-
6	01580-10806	NUT	24	31586-
7	01602-20825	WASHER	24	31586-
8	196-03-13151	GASKET	2	31586-
9	196-03-13120	COVER	1	31586-
10	196-03-13130	COVER	1	31586-
11	01010-81030	BOLT	56	31586-
12	01602-21030	WASHER	56	31586-
13	01010-81650	BOLT	5	31586-
14	01643-31645	WASHER	5	31586-
15	01010-81240	BOLT	12	31586-
16	01643-31232	WASHER	12	31586-
17	195-03-19110	FLANGE	3	31586-
18	07000-33038	O-RING	6	31586-
19	176-03-43150	FLANGE	1	31586-
20	01010-81030	BOLT	2	31586-
21	01602-21030	WASHER	2	31586-
22	07000-43042	O-RING	1	31586-
23	01010-81035	BOLT	4	31586-
24	01643-31032	WASHER	4	31586-
25	07289-00080	CLAMP	2	31586-
26	176-03-55170	TUBE	1	31586-
27	01010-81030	BOLT	3	31586-
28	01643-31032	WASHER	3	31586-
29	6210-61-6371	GASKET	1	31586-

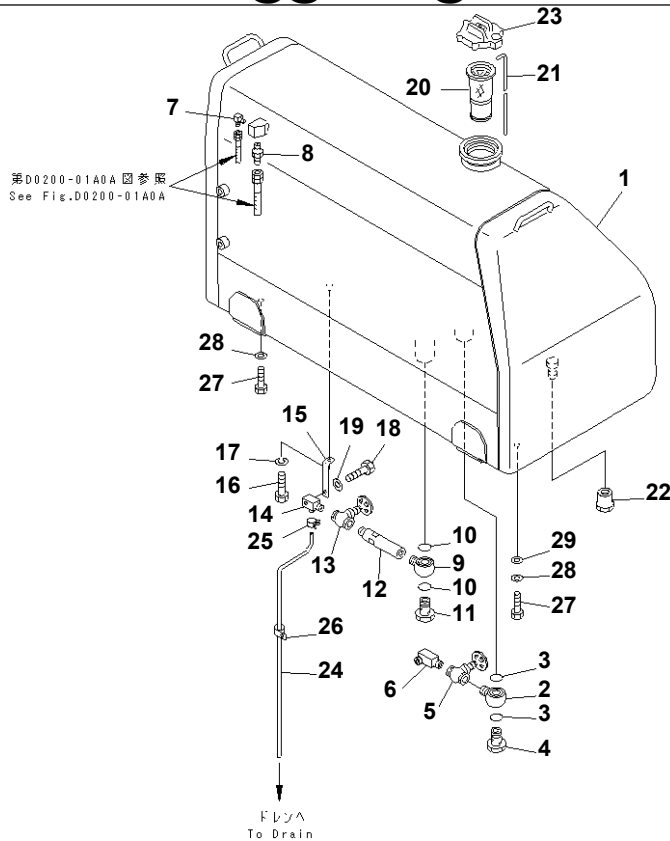
**D155C-1 S/N 15686-UP (SA6D140-2 Eng. Installed)
OIL COOLER (FOR 140 ENGINE)(#31586-)**

Item	Part No.	Part Name	Qty	Serial No.
30	01010-81035	BOLT	4	31586-
31	01643-31032	WASHER	4	31586-
32	01437-11075	BOLT	3	31586-
33	195-03-13241	VALVE	1	31586-
34	195-03-13180	HOSE	1	31586-
35	07285-00180	CLIP	1	31586-
36	176-03-55140	TUBE	1	31586-
37	07000-A2095	O-RING	1	31586-
38	176-03-55130	HOSE	1	31586-
39	176-03-55150	TUBE	1	31586-
40	07000-A2095	O-RING	1	31586-
41	176-03-55160	HOSE	1	31586-
42	07289-00080	CLAMP	2	31586-
43	176-03-55120	TUBE	1	31586-
44	6210-61-6341	GASKET	1	31586-
45	176-03-55230	COVER	1	31586-
46	01010-81225	BOLT	2	31586-
47	01643-31232	WASHER	2	31586-

D155C-1 S/N 15686-UP (SA6D140-2 Eng. Installed)

FUEL TANK AND RELATED PARTS

Item	Part Name	Qty
10	FUEL TANK (FOR 140 ENGINE)(#31586-)	1
20	FUEL PIPING (FOR 140 ENGINE)(#31586-)	1



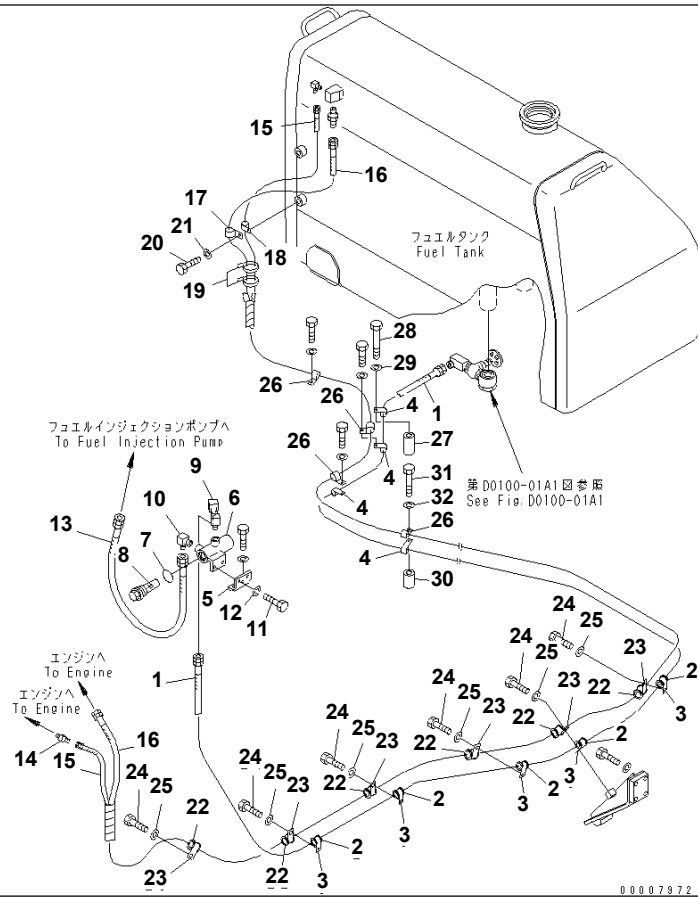
D155C-1 S/N 15686-UP (SA6D140-2 Eng. Installed)
FUEL TANK (FOR 140 ENGINE)(#31586-)

Item	Part No.	Part Name	Qty	Serial No.
1	176-04-55110	FUEL TANK ASS'Y	1	31586-
2	195-04-11230	JOINT	1	31586-
3	07000-13035	O-RING	2	31586-
4	195-04-11280	BOLT	1	31586-
5	154-04-12492	VALVE	1	31586-
6	195-04-12280	ELBOW	1	31586-
7	205-43-74190	ELBOW	1	31586-
8	07238-10315	CONNECTOR	1	31586-
9	195-04-11230	JOINT	1	31586-
10	07000-13035	O-RING	2	31586-
11	195-04-11280	BOLT	1	31586-
12	195-04-11420	NIPPLE	1	31586-
13	154-04-12492	VALVE	1	31586-
14	195-04-11431	ELBOW	1	31586-
15	176-04-41160	PLATE	1	31586-
16	01010-80816	BOLT	1	31586-
17	01602-20825	WASHER	1	31586-
18	01010-81020	BOLT	1	31586-
19	01643-31032	WASHER	1	31586-
20	07056-18416	STRAINER	1	31586-
21	176-04-41120	GAUGE	1	31586-
22	154-04-12470	PLUG	1	31586-
23	07050-41200	CAP	1	31586-
	07050-21202	GASKET	1	31586-
24	07270-01295	TUBE	1	31586-
25	07285-00130	CLIP	1	31586-
26	154-04-11211	CLIP	1	31586-
27	01010-82465	BOLT	6	31586-
28	01643-32460	WASHER	6	31586-

D155C-1 S/N 15686-UP (SA6D140-2 Eng. Installed)
FUEL TANK (FOR 140 ENGINE)(#31586-)

Item	Part No.	Part Name	Qty	Serial No.
29	154-54-31150	WASHER	6	31586-

D155C-1 S/N 15686-UP (SA6D140-2 Eng. Installed)
00007972



00007972

Ref. D0200-01A1

Page 090020

D155C-1 S/N 15686-UP (SA6D140-2 Eng. Installed)
FUEL PIPING (FOR 140 ENGINE)(#31586-)

Item	Part No.	Part Name	Qty	Serial No.
1	07102-20441	HOSE	1	31586-
2	07095-20420	CUSHION	5	31586-
3	04434-52712	CLIP	5	31586-
4	04434-52112	CLIP	4	31586-
5	176-04-41150	PLATE	1	31586-
6	175-04-25340	CASE	1	31586-
7	07000-13040	O-RING	1	31586-
8	07058-00010	ELEMENT ASS'Y	1	31586-
9	196-04-21130	TUBE	1	31586-
10	195-04-12280	ELBOW	1	31586-
11	01010-80820	BOLT	2	31586-
12	01602-20825	WASHER	2	31586-
13	07102-20405	HOSE	1	31586-
14	175-79-82560	ELBOW	1	31586-
15	07102-30252	HOSE	1	31586-
16	07102-30352	HOSE	1	31586-
17	04434-51908	CLIP	2	31586-
18	04434-51408	CLIP	2	31586-
19	08034-00414	BAND	2	31586-
20	01010-80820	BOLT	1	31586-
21	01643-30823	WASHER	1	31586-
22	07095-20627	CUSHION	6	31586-
23	04434-53411	CLIP	6	31586-
24	01010-81020	BOLT	6	31586-
25	01643-31032	WASHER	6	31586-
26	04435-51912	CLIP	4	31586-
27	205-03-71331	COLLAR	1	31586-
28	01010-81275	BOLT	1	31586-
29	01643-31232	WASHER	1	31586-

Reference:D0200-01A1

Page:090020

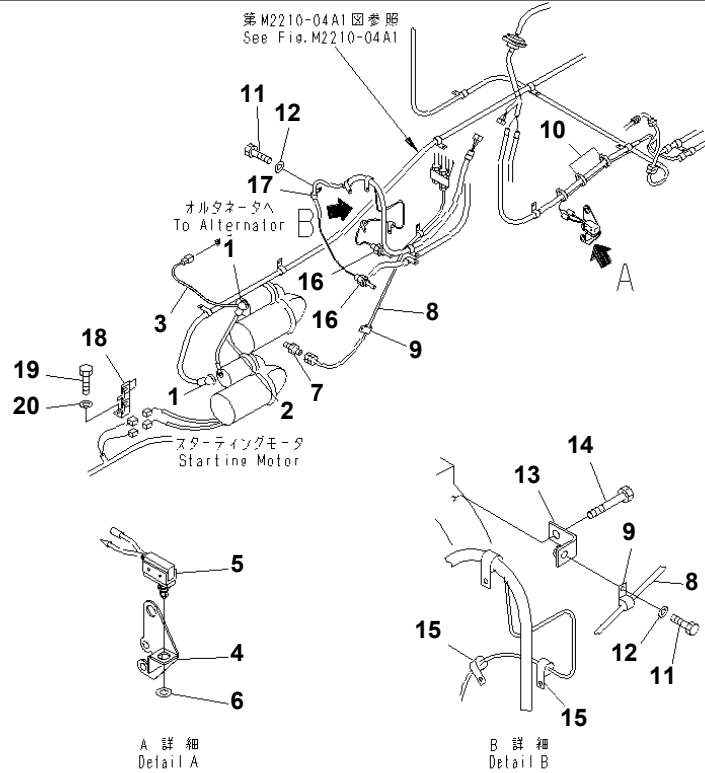
D155C-1 S/N 15686-UP (SA6D140-2 Eng. Installed)
FUEL PIPING (FOR 140 ENGINE)(#31586-)

Item	Part No.	Part Name	Qty	Serial No.
30	198-43-15310	COLLAR, 10MM	1	31586-
31	01010-81250	BOLT	1	31586-
32	01643-31232	WASHER	1	31586-

D155C-1 S/N 15686-UP (SA6D140-2 Eng. Installed)

ELECTRICAL SYSTEM

Item	Part Name	Qty
10	STARTING CABLE (FOR 140 ENGINE) (COLD WEATHER (A) SPEC.)(#31586-)	1
20	STARTING CABLE (FOR 140 ENGINE)(#31586-)	1
30	ELECTRICAL SYSTEM (ENGINE ROOM) (FOR 140 ENGINE) (COLD WEATHER (A) SPEC.)(#31586-)	1
40	ELECTRICAL SYSTEM (ENGINE ROOM) (FOR 140 ENGINE)(#31586-)	1
50	SAFETY WIRING RELAY (FOR 140 ENGINE) (COLD WEATHER (A) SPEC.)(#31586-)	1
60	BACK-UP ALARM (FOR 140 ENGINE)(#31643-)	1



00007175

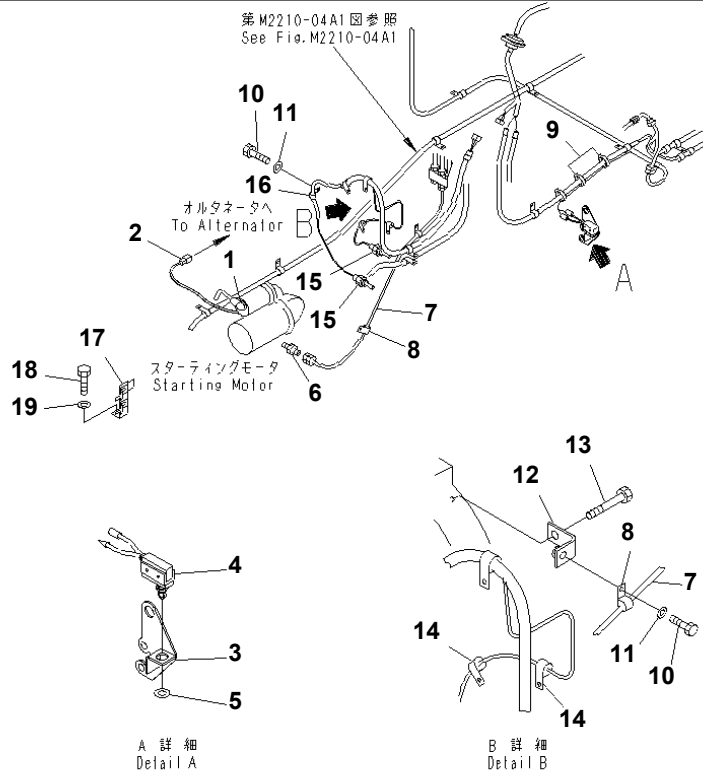
Ref. E0200-01A1

Page 120010

D155C-1 S/N 15686-UP (SA6D140-2 Eng. Installed)
STARTING CABLE (FOR 140 ENGINE) (COLD WEATHER (A) SPEC.)(#31586-)

Item	Part No.	Part Name	Qty	Serial No.
1	154-06-13130	CAP	2	31586-
2	08028-73030	CABLE	1	31586-
3	195-06-25290	CONNECTOR	1	31586-
4	176-43-42330	BRACKET	1	31586-
5	154-06-35322	SWITCH	1	31586-
6	01643-31445	WASHER	1	31586-
7	203-62-21740	NIPPLE	2	31586-
8	17M-50-24240	HOSE	1	31586-
9	04434-51310	CLIP	2	31586-
10	08034-00414	BAND	2	31586-
11	01010-81020	BOLT	1	31586-
12	01643-31032	WASHER	1	31586-
13	8206-54-1650	PLATE	1	31586-
14	01011-81250	BOLT	1	31586-
15	08036-30614	CLIP	2	31586-
16	08620-00000	SENSOR	2	31586-
17	04434-51810	CLIP	1	31586-
18	196-06-25130	BRACKET	1	31586-
19	01010-81025	BOLT	1	31586-
20	01643-31032	WASHER	1	31586-

**D155C-1 S/N 15686-UP (SA6D140-2 Eng. Installed)
00052551**



00052551

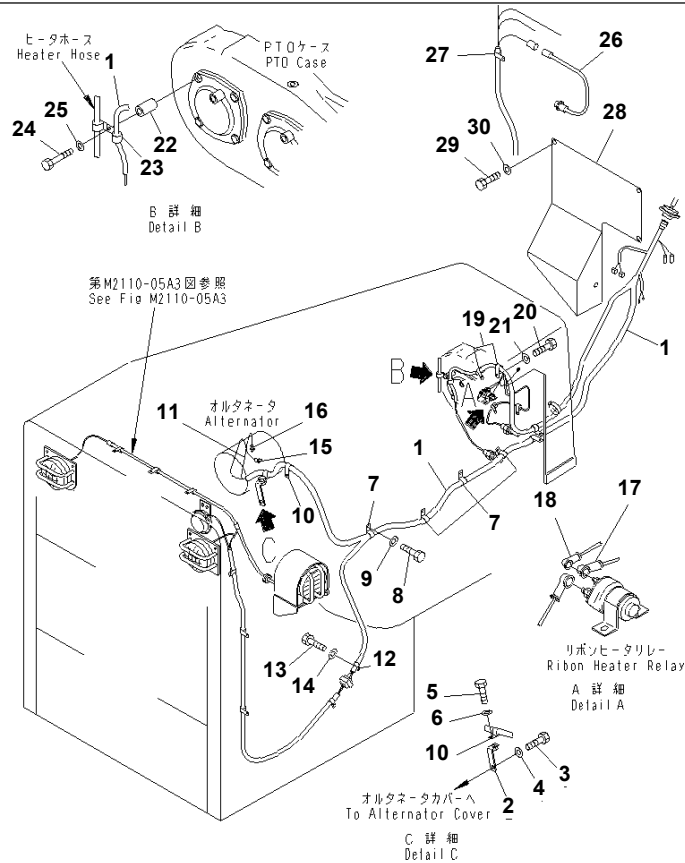
Ref. E0200-01A3

Page 120020

**D155C-1 S/N 15686-UP (SA6D140-2 Eng. Installed)
STARTING CABLE (FOR 140 ENGINE)(#31586-)**

Item	Part No.	Part Name	Qty	Serial No.
1	154-06-13130	CAP	1	31586-
2	195-06-46280	CONNECTOR ASS'Y	1	31586-
3	176-43-42330	BRACKET	1	31586-
4	195-06-26260	SWITCH	1	31586-
5	01643-31445	WASHER	1	31586-
6	203-62-21740	NIPPLE	2	31586-
7	17M-50-24240	HOSE	1	31586-
8	04434-51310	CLIP	2	31586-
9	08034-00414	BAND	2	31586-
10	01010-81020	BOLT	1	31586-
11	01643-31032	WASHER	1	31586-
12	8206-54-1650	PLATE	1	31586-
13	01011-81250	BOLT	1	31586-
14	08036-30614	CLIP	2	31586-
15	08620-00000	SENSOR	2	31586-
16	04434-51810	CLIP	1	31586-
17	196-06-25130	BRACKET	1	31586-
18	01010-81025	BOLT	1	31586-
19	01643-31032	WASHER	1	31586-

**D155C-1 S/N 15686-UP (SA6D140-2 Eng. Installed)
00033401**



00033401

Ref. E0200-02A1

Page 120030

**D155C-1 S/N 15686-UP (SA6D140-2 Eng. Installed)
ELECTRICAL SYSTEM (ENGINE ROOM) (FOR 140 ENGINE) (COLD
WEATHER (A) SPEC.)(#31586-)**

Item	Part No.	Part Name	Qty	Serial No.
1	196-06-34522	WIRING HARNESS	1	31586-
2	195-06-41930	BRACKET	1	31643-
3	01050-51025	BOLT	1	31643-
4	01643-31032	WASHER	1	31643-
5	01010-81025	BOLT	1	31643-
6	01643-31032	WASHER	1	31643-
7	04434-52712	CLIP	4	31586-
8	01010-81020	BOLT	4	31586-
9	01643-31032	WASHER	4	31586-
10	175-06-25150	CLIP	2	31586-
11	195-06-25323	WIRING HARNESS	1	31586-
	198-06-12811	FUSE	1	31643-
	198-06-12810	FUSE	1	31586-31642
12	04434-51512	CLIP	1	31586-
13	01010-81060	BOLT	1	31586-
14	01643-31032	WASHER	1	31586-
15	08038-02027	CAP	1	31586-
16	140-06-18260	CAP	1	31586-
17	08038-02027	CAP	1	31586-
18	08038-00519	CAP	1	31586-
19	04434-52712	CLIP	2	31586-
20	01010-81020	BOLT	1	31586-
21	01643-31032	WASHER	1	31586-
22	6142-22-4640	SPACER	1	31586-
23	04434-51412	CLIP	1	31586-
24	01010-81065	BOLT	1	31586-
25	01643-31032	WASHER	1	31586-
26	196-06-21240	WIRE ASS'Y	1	31586-

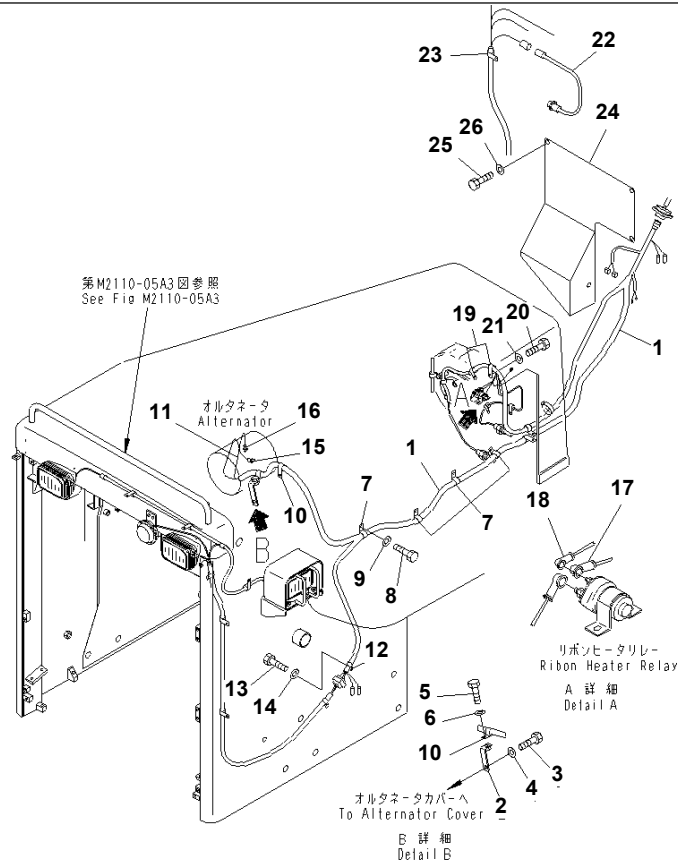
Reference:E0200-02A1

Page:120030

D155C-1 S/N 15686-UP (SA6D140-2 Eng. Installed)
ELECTRICAL SYSTEM (ENGINE ROOM) (FOR 140 ENGINE) (COLD
WEATHER (A) SPEC.)(#31586-)

Item	Part No.	Part Name	Qty	Serial No.
27	04434-50810	CLIP	1	31586-
28	176-06-41530	COVER	1	31586-
29	01010-81225	BOLT	5	31586-
30	01643-31232	WASHER	5	31586-

D155C-1 S/N 15686-UP (SA6D140-2 Eng. Installed)
00052553



00052553

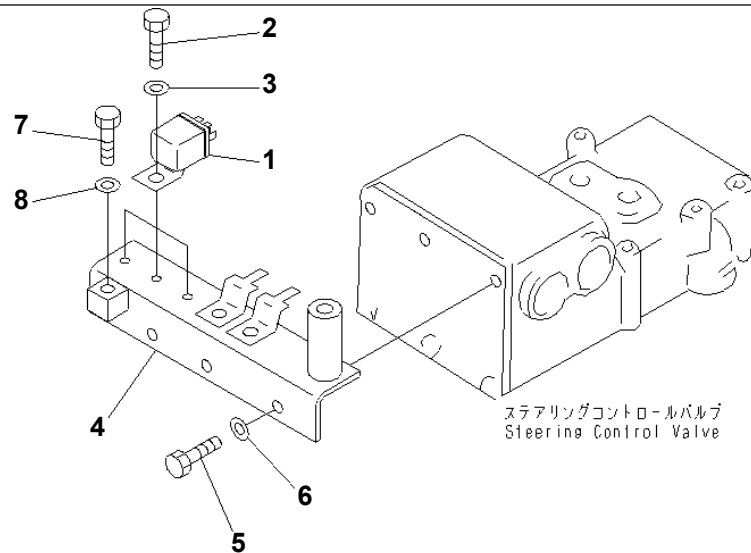
Ref. E0200-02A3

Page 120040

D155C-1 S/N 15686-UP (SA6D140-2 Eng. Installed)
ELECTRICAL SYSTEM (ENGINE ROOM) (FOR 140 ENGINE)(#31586-)

Item	Part No.	Part Name	Qty	Serial No.
1	196-06-34174	WIRING HARNESS	1	31586-
2	195-06-41930	BRACKET	1	31586-
3	01050-51025	BOLT	1	31586-
4	01643-31032	WASHER	1	31586-
5	01010-81025	BOLT	1	31586-
6	01643-31032	WASHER	1	31586-
7	04434-52712	CLIP	4	31586-
8	01010-81020	BOLT	4	31586-
9	01643-31032	WASHER	4	31586-
10	175-06-25150	CLIP	2	31586-
11	195-06-25323	WIRING HARNESS	1	31586-
	198-06-12811	FUSE	1	31586-
12	04434-51512	CLIP	3	31586-
13	01010-81020	BOLT	2	31586-
14	01643-31032	WASHER	2	31586-
15	08038-02027	CAP	1	31586-
16	140-06-18260	CAP	1	31586-
17	08038-02027	CAP	1	31586-
18	08038-00519	CAP	1	31586-
19	04434-52712	CLIP	2	31586-
20	01010-81020	BOLT	1	31586-
21	01643-31032	WASHER	1	31586-
22	196-06-21240	WIRE ASS'Y	1	31586-
23	04434-50810	CLIP	1	31586-
24	176-06-41530	COVER	1	31586-
25	01010-81225	BOLT	5	31586-
26	01643-31232	WASHER	5	31586-

D155C-1 S/N 15686-UP (SA6D140-2 Eng. Installed)
00008495



00008495

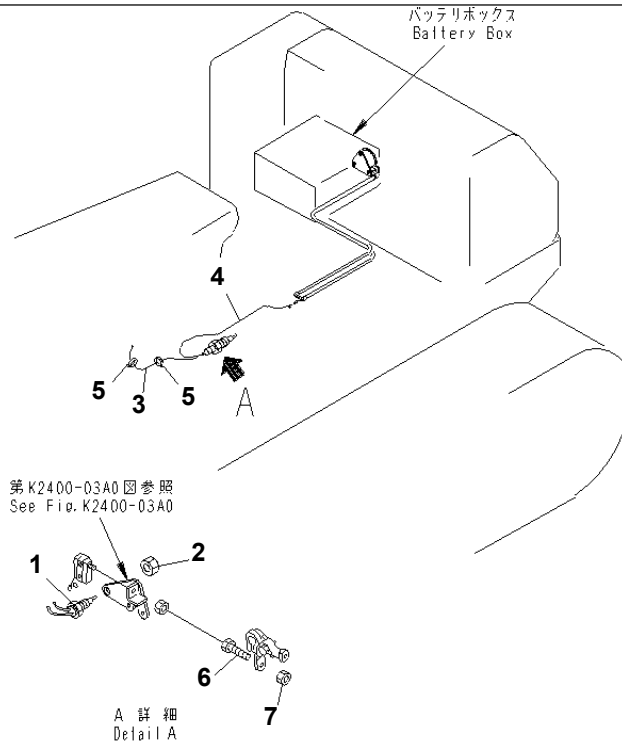
Ref. E0200-03A1

Page 120050

D155C-1 S/N 15686-UP (SA6D140-2 Eng. Installed)
**SAFETY WIRING RELAY (FOR 140 ENGINE) (COLD WEATHER (A)
SPEC.)(#31586-)**

Item	Part No.	Part Name	Qty	Serial No.
1	569-06-61960	RELAY	3	31586-
2	01010-80620	BOLT	3	31586-
3	01643-30623	WASHER	3	31586-
4	176-06-44140	BRACKET	1	31586-
5	01010-80825	BOLT	3	31586-
6	01643-30823	WASHER	3	31586-
7	01010-81020	BOLT	1	31586-
8	01643-31032	WASHER	1	31586-

D155C-1 S/N 15686-UP (SA6D140-2 Eng. Installed)
00051931



00051931

Ref. E0420-01A0

Page 120060

D155C-1 S/N 15686-UP (SA6D140-2 Eng. Installed)
BACK-UP ALARM (FOR 140 ENGINE)(#31643-)

Item	Part No.	Part Name	Qty	Serial No.
1	08074-70000	SWITCH	1	31643-
2	01583-11811	NUT	1	31643-
3	176-06-41930	WIRE	1	31643-
4	176-06-41940	WIRE	1	31643-
5	08034-00414	BAND	5	31643-
6	01016-50830	BOLT	1	31643-
7	01580-10806	NUT	1	31643-

D155C-1 S/N 15686-UP (SA6D140-2 Eng. Installed)

POWER TRAIN AND FINAL DRIVE

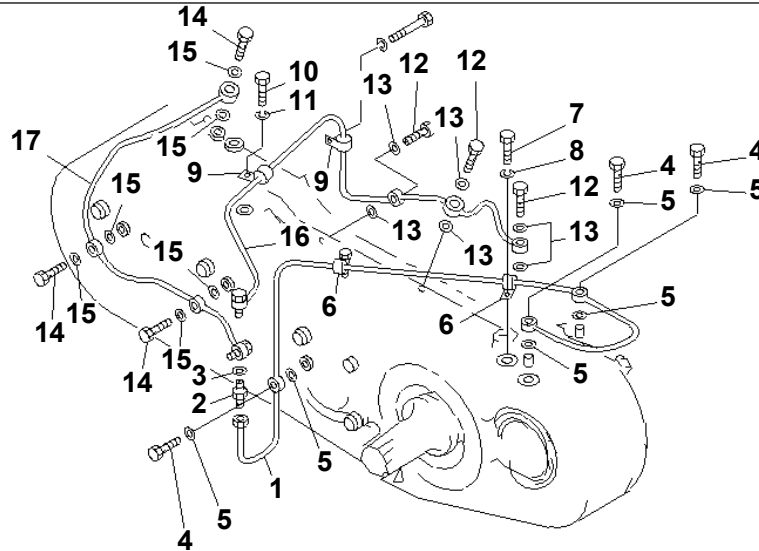
Item	Part Name	Qty
10	POWER TAKE OFF (1/2)	1
20	POWER TAKE OFF (2/2)	1
30	UNIVERSAL JOINT(#31574-)	1
40	TORQUE CONVERTER BARE(#31303-31563)	1
50	TORQUE CONVERTER BARE(#31564-)	1
60	TORQUE CONVERTER OUTPUT(#31303-31563)	1
70	TORQUE CONVERTER OUTPUT(#31564-)	1
80	TORQUE CONVERTER CASE(#31303-31563)	1
90	TORQUE CONVERTER CASE(#31564-)	1
100	TORQUE CONVERTER HOUSING(#31303-31563)	1
110	TORQUE CONVERTER HOUSING(#31564-)	1
120	TORQUE CONVERTER PUMP(#31303-31563)	1
130	TORQUE CONVERTER PUMP(#31564-)	1
140	TORQUE CONVERTER RELIEF VALVE(#31303-31563)	1
150	TORQUE CONVERTER RELIEF VALVE(#31564-)	1
160	TORQUE CONVERTER REGULATOR VALVE(#31303-31563)	1
170	TORQUE CONVERTER REGULATOR VALVE(#31564-)	1
180	TORQUE CONVERTER HOUSING AND REGULATOR VALVE(#15686-31302)	1
190	TURBINE SHAFT AND STATOR(#15686-31302)	1
200	TRANSMISSION BARE (1/2)(#31303-31563)	1
210	TRANSMISSION BARE (1/2)(#31564-)	1
220	TRANSMISSION BARE (2/2)(#31303-31563)	1
230	TRANSMISSION BARE (2/2)(#31564-)	1
240	TRANSMISSION CARRIER (1/3)(#31303-31563)	1
250	TRANSMISSION CARRIER (1/3)(#31564-)	1
260	TRANSMISSION CARRIER (2/3)(#31303-31563)	1
270	TRANSMISSION CARRIER (2/3)(#31564-)	1
280	TRANSMISSION CARRIER (3/3)(#31303-31563)	1
290	TRANSMISSION CARRIER (3/3)(#31564-)	1
300	TRANSMISSION CASE(#31303-31563)	1
310	TRANSMISSION CASE(#31564-)	1
320	TRANSFER(#31303-31563)	1
330	TRANSFER(#31564-)	1
340	TRANSMISSION INPUT AND OUTPUT(#31303-31563)	1
350	TRANSMISSION INPUT AND OUTPUT(#31564-)	1
360	CONTROL VALVE (LOWER)(#31303-31563)	1
370	CONTROL VALVE (LOWER)(#31564-)	1
380	CONTROL VALVE (UPPER)(#31303-31563)	1
390	CONTROL VALVE (UPPER)(#31564-)	1
400	LUBRICATION VALVE(#31303-31563)	1
410	LUBRICATION VALVE(#31564-)	1
420	CONTROL VALVE COVER (1/2)(#31303-31563)	1
430	CONTROL VALVE COVER (1/2)(#31564-)	1
440	CONTROL VALVE COVER (2/2)(#31303-31563)	1
450	CONTROL VALVE COVER (2/2)(#31564-)	1
460	TORQFLOW TRANSMISSION CASE(#15686-31302)	1
470	PLANETARY GEAR AND SHAFT(#15686-31302)	1
480	PLANETARY GEAR AND SHAFT(#15686-31302)	1
490	TORQFLOW TRANSMISSION TRANSFER(#15686-31302)	1
500	TRANSMISSION CONTROL VALVE(#15686-31302)	1
510	VALVE CONTROL LEVER(#15686-31302)	1
520	REGULATOR VALVE(#15686-31302)	1
530	BEVEL GEAR AND SHAFT	1
540	STEERING CLUTCH(#31586-)	1
550	BRAKE BAND AND LINKAGE(#31574-)	1
560	BRAKE BOOSTER AND PIPING(#31574-)	1
570	FINAL DRIVE CASE	1
580	FINAL DRIVE GEAR AND SHAFT	1
590	STEERING CONTROL VALVE	1
600	MAIN RELIEF VALVE AND SAFETY VALVE	1
610	STEERING CONTROL VALVE RELATED PARTS	1
620	STEERING PIPING	1
630	TRANSMISSION CONTROL VALVE (FOR 140 ENGINE)(#31586-)	1
640	TORQFLOW TRANSMISSION PIPING(#31578-)	1
650	TORQFLOW TRANSMISSION PIPING (FOR 140 ENGINE)(#31586-)	1
660	STEERING PIPING (SUCTION LINE)(#31578-)	1

D155C-1 S/N 15686-UP (SA6D140-2 Eng. Installed)

POWER TRAIN AND FINAL DRIVE

Item	Part Name	Qty
670	STEERING PIPING (FOR 140 ENGINE)(#31586-)	1
680	STEERING PIPING (RETURN LINE) (FOR 140 ENGINE)(#31586-)	1
690	SAFETY PIPING (FOR 140 ENGINE)(#31586-)	1
700	TRANSMISSION OIL FILTER	1
710	STEERING STRAINER	1
720	STEERING OIL FILTER	1

D155C-1 S/N 15686-UP (SA6D140-2 Eng. Installed)
00007961



00007961

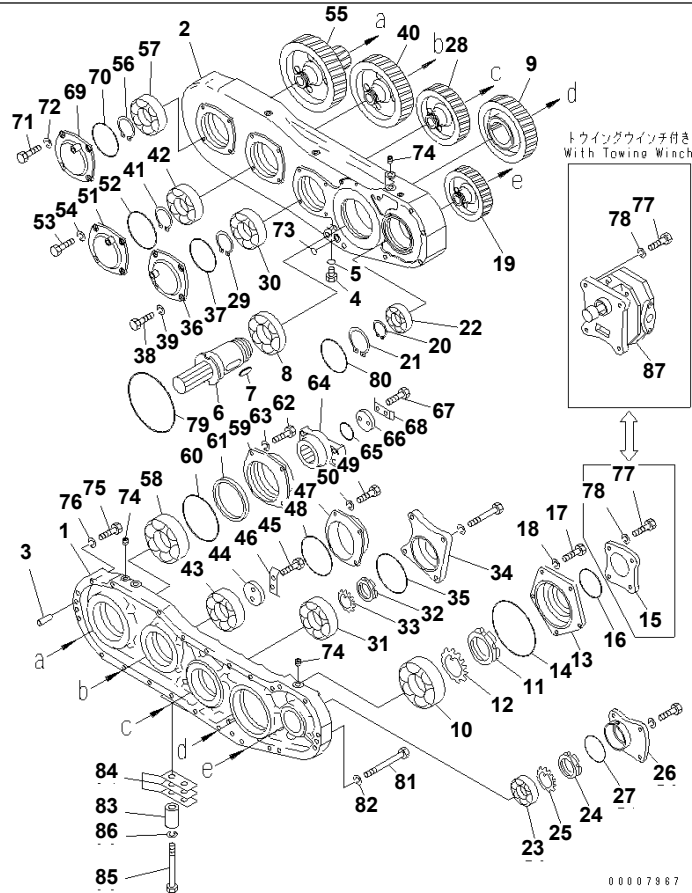
Ref. F2100-01A0

Page 150010

D155C-1 S/N 15686-UP (SA6D140-2 Eng. Installed)
POWER TAKE OFF (1/2)

Item	Part No.	Part Name	Qty	Serial No.
	176-38-00014	P.T.O. ASS'Y	1	31574-
	176-38-00013	POWER TAKE OFF ASS'Y	1	21739-31573
	□176-38-00012	POWER TAKE OFF ASS'Y	1	15686-21738
		THESE ASSEMBLIES CONSIST OF ALL PARTS SHOWN IN FIGS.F2100-01A0 AND F2100-02A0.		
1	176-38-41320	· TUBE	1	15686-
2	07211-50610	· NIPPLE	1	15686-
3	07005-01012	· GASKET	1	15686-
4	07206-30710	· BOLT	3	31574-
	07206-10610	· BOLT	3	15686-31573
5	07005-01012	· GASKET	6	15686-
6	04434-50610	· CLIP	2	31574-
	08036-30614	· CLIP	2	15686-31573
7	01010-81020	· BOLT	2	15686-
8	01602-21030	· WASHER	2	15686-
9	04434-50610	· CLIP	2	31574-
	08036-30614	· CLIP	2	15686-31573
10	01010-81020	· BOLT	1	15686-
11	01602-21030	· WASHER	1	15686-
12	07206-30710	· BOLT	4	31574-
	07206-10610	· BOLT	4	15686-31573
13	07005-01012	· GASKET	8	15686-
14	07206-30710	· BOLT	4	31574-
	07206-10610	· BOLT	4	15686-31573
15	07005-01012	· GASKET	8	15686-
16	176-38-41330	· TUBE	1	15686-
17	176-38-41341	· TUBE	1	15686-

**D155C-1 S/N 15686-UP (SA6D140-2 Eng. Installed)
00007967**



Ref. F2100-02A0

Page 150020

**D155C-1 S/N 15686-UP (SA6D140-2 Eng. Installed)
POWER TAKE OFF (2/2)**

Item	Part No.	Part Name	Qty	Serial No.
	176-38-00014	P.T.O. ASS'Y	1	31574-
	176-38-00013	POWER TAKE OFF ASS'Y	1	21739-31573
	□176-38-00012	POWER TAKE OFF ASS'Y	1	15686-21738
		THESE ASSEMBLIES CONSIST OF ALL PARTS SHOWN IN FIGS.F2100-01A0 AND F2100-02A0.		
1	176-38-41112	• CASE	1	21739-
	176-38-41111	• CASE	1	15686-21738
2	176-38-41121	• CASE	1	21739-
	176-38-41120	• CASE	1	15686-21738
3	04020-01434	• PIN	2	15686-
4	07044-12412	• PLUG	1	15686-
5	07002-12434	• O-RING	1	15686-
6	176-38-41140	• SHAFT	1	15686-
7	04000-02050	• KEY	2	15686-
8	154-01-12280	• BEARING	1	15686-
9	176-38-41150	• GEAR	1	15686-
10	06040-06314	• BEARING	1	15686-
11	01530-06814	• NUT	1	15686-
12	01658-06823	• WASHER	1	15686-
13	176-38-41160	• COVER	1	15686-
14	07000-15165	• O-RING	1	15686-
15	176-38-41170	• COVER,(NOT USED WITH TOWING WINCH)	1	15686-
16	07000-12075	• O-RING	1	15686-
17	01010-81235	• BOLT	5	15686-
18	01602-21236	• WASHER	5	15686-
19	176-38-41180	• GEAR	1	15686-
20	04064-04518	• RING	1	15686-
21	04065-08530	• RING	1	15686-
22	06041-00209	• BEARING	1	15686-



Download the full PDF manual instantly.

Our customer service e-mail:

aservicemanualpdf@yahoo.com