

753



Parts Manual

S/N 5158 11001-29999

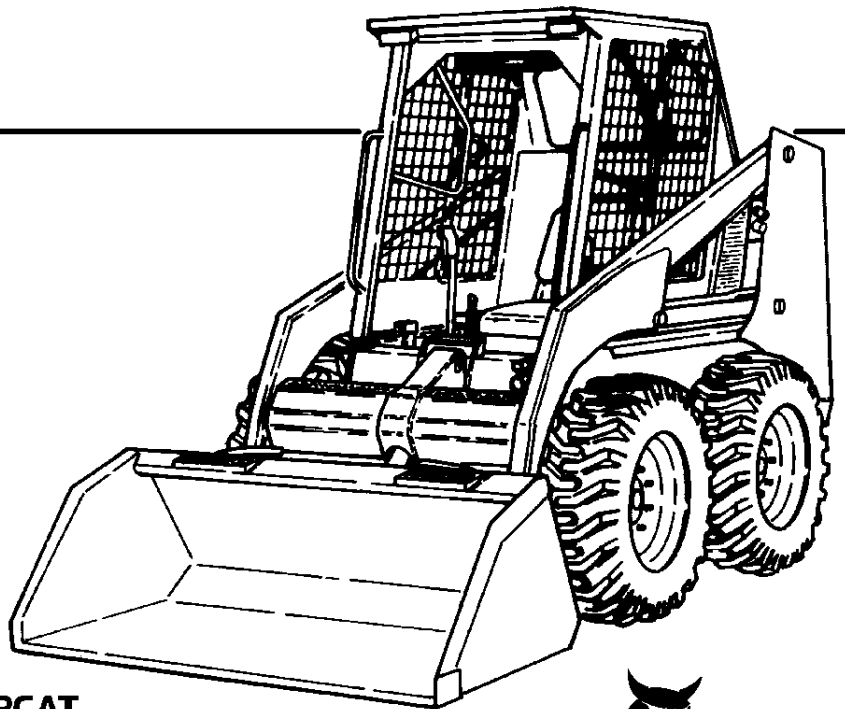
S/N 5162 11001-19999

S/N 5127 16001 & Above

S/N 5086 30001 & Above

S/N 5114 76001 & Above

S/N 5139 11001 - 11148



EQUIPPED WITH
BOBCAT INTERLOCK
CONTROL SYSTEM (BICS™)

PUBLICATION # 6724067 (6-01)

REPLACES # 6724067 (4-00)

BOBCAT
INGERSOLL-RAND



Printed in U.S.A.

© Bobcat/Ingersoll-Rand 2001

753 BICS ALPHABETICAL INDEX

ADHESIVE	454	LIGHT	194, 206
AIR CLEANER	232, 234, 276	LIGHTS, FLASHER	352
ALTERNATOR	204, 220, 236	LOCK, REAR DOOR	419, 420
ANTI-FREEZE	454	LUBRICANT	454
AXLE	49		
BATTERY	202, 208	MAIN FRAME	12
BELT, ALTERNATOR	236	MANIFOLD	267
BELT, COOLING FAN DRIVE	228	MODULE, AUX. CONTROLS	194
BELT, PUMP DRIVE	242	MOTOR CARRIER	43
BLOCK HEATER	288	MOTOR, HYDRO.	158
BOB-TACH	32, 34	MOUNT, ENGINE	236
BOSS UNIT	208	MOUNT, HYDRO. PUMP	236, 242
		MUFFLER	232, 234
CAB	14	OIL	454
CAB ENCLOSURE	296, 306	OIL COOLER	152
CABLE, BATTERY	200, 208		
CAMSHAFT	263, 264	PAINT	454
CAP, FUEL	36	PAN, OIL	260
CAP, HYD. OIL	148	PANEL, INSTRUMENT	188, 194
CAP, RADIATOR	228	PEDALS, CONTROL	83
CHAIN, DRIVE	41, 42	PISTON, ENGINE	262
CHAINCASE	12, 41, 42	POLISH	454
COOLING FAN DRIVE ASSY.	250	PUMP, FUEL	36, 271
COUNTER WEIGHTS 145, 317-319, 341		PUMP, GEAR	181
CYLINDER BLOCK	255	PUMP, HYDRO.	162, 170, 176
CYLINDER, LIFT	81	PUMP, INJECTION	272
CYLINDER, TILT	74, 76, 78, 80	PUMP, OIL	256
		PUMP, WATER	265
DIPSTICK, ENG. OIL	260	QUICK COUPLERS . 356-360, 408-412	
DISPLAY, LCD	194		
DOOR, CAB	298, 306	RADIATOR	228
DOOR, REAR	28, 30	RIM, WHEEL	448
DRIVE MOUNT ASSY.	43, 44	RING GEAR	242
ENGINE	252		
FAN	228	SEALANT	454
FILTER, AIR	276	SEAT	18, 25, 426, 428, 430
FILTER, ENG. OIL	253	SEAT BELT	18, 436
FILTER, FUEL	36	SENSOR, ENG. OIL PRESS.	208
FILTER, HYD. OIL	152	SENSOR, ENG. TEMP.	208
FIRE EXTINGUISHER	351	SENSOR, FUEL	36
FUEL SYSTEM	36	SENSOR, HYDRO TEMP.	208
		SHOCK CONTROLS	156
GAS SPRING	14, 298, 306	SOLENOID	200, 208
GASKET KIT, ENG.	252	SPROCKET, AXLE	41, 42, 49
GLOW PLUG	273	STARTER	200, 208, 222, 226
GUAGE, ENG. TEMP.	190	STOP, LIFT ARM	32
GUAGE, FUEL	190	STROBE LIGHT	445, 446
		SWITCH, GLOW PLUG	190
HARNES, CAB	188, 194	SWITCH, IGNITION	188, 194
HARNES, CONTROLS	214	SWITCH, LIGHT	194
HARNES, ENGINE	200, 206		
HARNES, LIGHTS	206, 389	TANK, COOLANT	230
HEAD, CYLINDER	259	TANK, FUEL	36
HEATER	378, 379	THERMOSTAT	266
HOOD, ENGINE	28, 232, 234	THROTTLE	248
HORN	381, 382	TIRES	447
HOURMETER	190, 383	TOOL BOX	451
HUB, AXLE	49		
IGNITION SWITCH	188, 194	VALVE COVER	257
INJECTION NOZZLES	273, 274	VALVE, CONTROL ... 86-114, 134-142	
INSECT SCREEN KIT	384	VALVE, ENGINE	258
		VOLTMETER	190
LATCH, REAR DOOR	28, 30		
LEVER, PINTLE	154	WINDOW, REAR	14, 314
LIFT KITS	386, 387, 388	WINDOW, SIDE	314
		WINDSHIELD WIPER	298, 422

753 BICS CONTENTS

MAIN FRAME	12-44
MAIN FRAME	12-13
OPERATOR CAB	14-17
SEAT & SEAT BAR	18-25
SEAT	26-29
PANELS	30-31
REAR DOOR	32-35
LIFT ARM & BOB-TACH	36-37
BOB-TACH	38-39
FUEL SYSTEM	40-43
DRIVE TRAIN	44-57
DRIVE TRAIN	44-47
MOTOR CARRIER	48-51
DISC BRAKE	52-55
AXLE	56-57
HYDRAULIC SYSTEM	58-135
HYDRAULIC CIRCUITRY	58-71
LIFT & TILT CONTROL SYSTEM	72-73
MANUAL LIFT RELEASE SYSTEM	74-75
AUXILIARY HYDRAULICS	76-79
TILT CYLINDER	80-87
LIFT CYLINDER	88-89
CONTROL PEDALS	90-91
HYDRAULIC CONTROL VALVE	92-113
* HYDRAULIC CONTROL VALVE	114-117
HYDRAULIC CONTROL VALVE (ADVANCED HAD CONTROLS) (W/BICS VALVE)	118-121
* HYDRAULIC CONTROL VALVE (SERVICE VALVE) (ADVANCED CONTROL SYSTEM) ..	122-125
BICS CONTROL VALVE	126-127
TILT LOCK VALVE	128-129
LIFT LOCK VALVE	130-131
MANUAL LIFT RELEASE VALVE	132-133
BUCKET POSITIONING VALVE	134-135
HIGH HORSEPOWER HYDRAULICS	136-161
HIGH FLOW HYDRAULICS	136-161
HYDROSTATIC SYSTEM	162-205
HYDROSTATIC CIRCUITRY	162-167
HAND CONTROLS	168-171
HYDROSTATIC MOTOR	172-175
HYDROSTATIC PUMP	176-195
GEAR PUMP	196-199
HYDROSTATIC OIL FILTER	200-205
ELECTRICAL SYSTEM	206-245
CAB ELECTRICAL CIRCUITRY	206-217
ENGINE ELECTRICAL CIRCUITRY	218-231
CONTROLS ELECTRICAL	232-237
ALTERNATOR	238-239
STARTER (DELCO)	240-241
STARTER KIT	242-243
STARTER (NIPPONDENSO)	244-245

753 BICS CONTENTS (Cont'd)

POWER UNIT	246-311
COOLING SYSTEM	246-249
ENGINE & ATTACHING PARTS	250-265
THROTTLE	266-267
COOLING FAN DRIVE ASSY.	268-269
ENGINE & GASKET KITS	270-271
GEARCASE	272-273
CRANKCASE	274-275
ROCKER ARM COVER	276-277
VALVE ROCKER ARM	278-279
CYLINDER HEAD	280-281
OIL PAN	282-283
PISTON & CRANKSHAFT	284-285
FUEL CAMSHAFT	286-287
CAMSHAFT	288-289
WATER PUMP	290-291
WATER FLANGE & THERMOSTAT	292-293
MANIFOLDS	294-295
ENGINE STOP LEVER	296-297
GOVERNOR	298-299
SPEED CONTROL PLATE	300-301
INJECTION PUMP	302-305
INJECTOR NOZZLES	306-307
INJECTOR HOLDER	308-309
AIR CLEANER	310-311
ACCESSORIES & OPTION	315-536
ACCESS COVER	315-318
AIR DEFLECTOR KIT	319-320
AXLE SEAL KIT	321-322
BACK-UP ALARM	323-326
BEACON LIGHT	327-328
BLOCK HEATER	329-330
BOB-TACH LEVERS	331-332
BUCKET POSITION ON-OFF KIT	333-334
BUCKET POSITIONING VALVE KIT	335-338
BUMPERS	339-340
CAB ENCLOSURE (ENVELOPE)	341-342
CAB DOOR	343-350
CAB ENCLOSURE (SPECIAL APPLICATIONS - R.H. HINGED DOOR)	351-354
CAB ENCLOSURE	355-358
CAB WINDOWS	359-360
CLOSED ALTERNATOR	361-362
COUNTERWEIGHT KIT	363-368
DECALS	369-374
ELECTRICAL CONTROLS KIT	375-378
ENGINE MOUNT KITS	379-380
EUROPEAN ACCESSORIES	381-402
FIRE EXTINGUISHER	403-404
FLASHER LIGHTS	405-408
FRONT AUXILIARY KIT	409-416
HAND CONTROL KIT	417-420
* HAND CONTROL KIT	421-424
HANDLE KITS	425-426
HEATER KIT (FRESH AIR)	427-430
HEATER (FRESH AIR)	431-434

753 BICS CONTENTS (Cont'd)

ACCESSORIES & OPTION (CONT'D)	315-536
HEATER PLUMBING KIT (FRESH AIR)	435-436
HEATER KIT	437-438
HEATER	439-440
HEATER PLUMBING KIT	441-442
HORN KIT	443-446
HOURMETER KIT	447-448
INSECT SCREEN KIT	449-450
KEYLESS IGNITION	451-452
LIFT KIT	453-458
LIGHT KIT	459-462
MUFFLER/PURIFIER KIT	463-464
PRESSURE RELEASE KIT (FRONT AUXILIARY)	465-466
PRESSURE RELEASE VALVE	467-468
PRESSURE RELEASE KIT (HIGH HORSEPOWER HYDRAULICS)	469-470
PUSH TO OPERATE KIT	471-474
RADIATOR SCREEN KIT	475-476
REAR AUXILIARY	477-484
REAR AUXILIARY VALVE	485-488
REAR DOOR LOCK	489-492
REAR WIPER KIT	493-494
RENTAL KIT	495-496
SEAT	497-502
SEAT BAR KIT	503-506
SEAT BELT	507-508
SEAT KIT	509-510
SEAT RAIL COVER KIT	511-512
SEAT SENSOR OVERRIDE	513-516
SIDE CONSOLE KIT	517-518
SOUND KIT	519-520
SOUND REDUCTION HARDHAT	521-522
STROBE LIGHT	523-526
TIRES & RIMS	527-532
TOOL BOX	533-534
BULK ITEMS	535-536
NUMERICAL INDEX	537-603
NUMERICAL INDEX	537-603

753 BICS CONTENTS

MAIN FRAME	12-44
MAIN FRAME	12-13
OPERATOR CAB	14-17
SEAT & SEAT BAR	18-25
SEAT	26-29
PANELS	30-31
REAR DOOR	32-35
LIFT ARM & BOB-TACH	36-37
BOB-TACH	38-39
FUEL SYSTEM	40-43
DRIVE TRAIN	44-57
DRIVE TRAIN	44-47
MOTOR CARRIER	48-51
DISC BRAKE	52-55
AXLE	56-57
HYDRAULIC SYSTEM	58-135
HYDRAULIC CIRCUITRY	58-71
LIFT & TILT CONTROL SYSTEM	72-73
MANUAL LIFT RELEASE SYSTEM	74-75
AUXILIARY HYDRAULICS	76-79
TILT CYLINDER	80-87
LIFT CYLINDER	88-89
CONTROL PEDALS	90-91
HYDRAULIC CONTROL VALVE	92-113
* HYDRAULIC CONTROL VALVE	114-117
HYDRAULIC CONTROL VALVE (ADVANCED HAD CONTROLS) (W/BICS VALVE)	118-121
* HYDRAULIC CONTROL VALVE (SERVICE VALVE) (ADVANCED CONTROL SYSTEM) ..	122-125
BICS CONTROL VALVE	126-127
TILT LOCK VALVE	128-129
LIFT LOCK VALVE	130-131
MANUAL LIFT RELEASE VALVE	132-133
BUCKET POSITIONING VALVE	134-135
HIGH HORSEPOWER HYDRAULICS	136-161
HIGH FLOW HYDRAULICS	136-161
HYDROSTATIC SYSTEM	162-205
HYDROSTATIC CIRCUITRY	162-167
HAND CONTROLS	168-171
HYDROSTATIC MOTOR	172-175
HYDROSTATIC PUMP	176-195
GEAR PUMP	196-199
HYDROSTATIC OIL FILTER	200-205
ELECTRICAL SYSTEM	206-245
CAB ELECTRICAL CIRCUITRY	206-217
ENGINE ELECTRICAL CIRCUITRY	218-231
CONTROLS ELECTRICAL	232-237
ALTERNATOR	238-239
STARTER (DELCO)	240-241
STARTER KIT	242-243
STARTER (NIPPONDENSO)	244-245

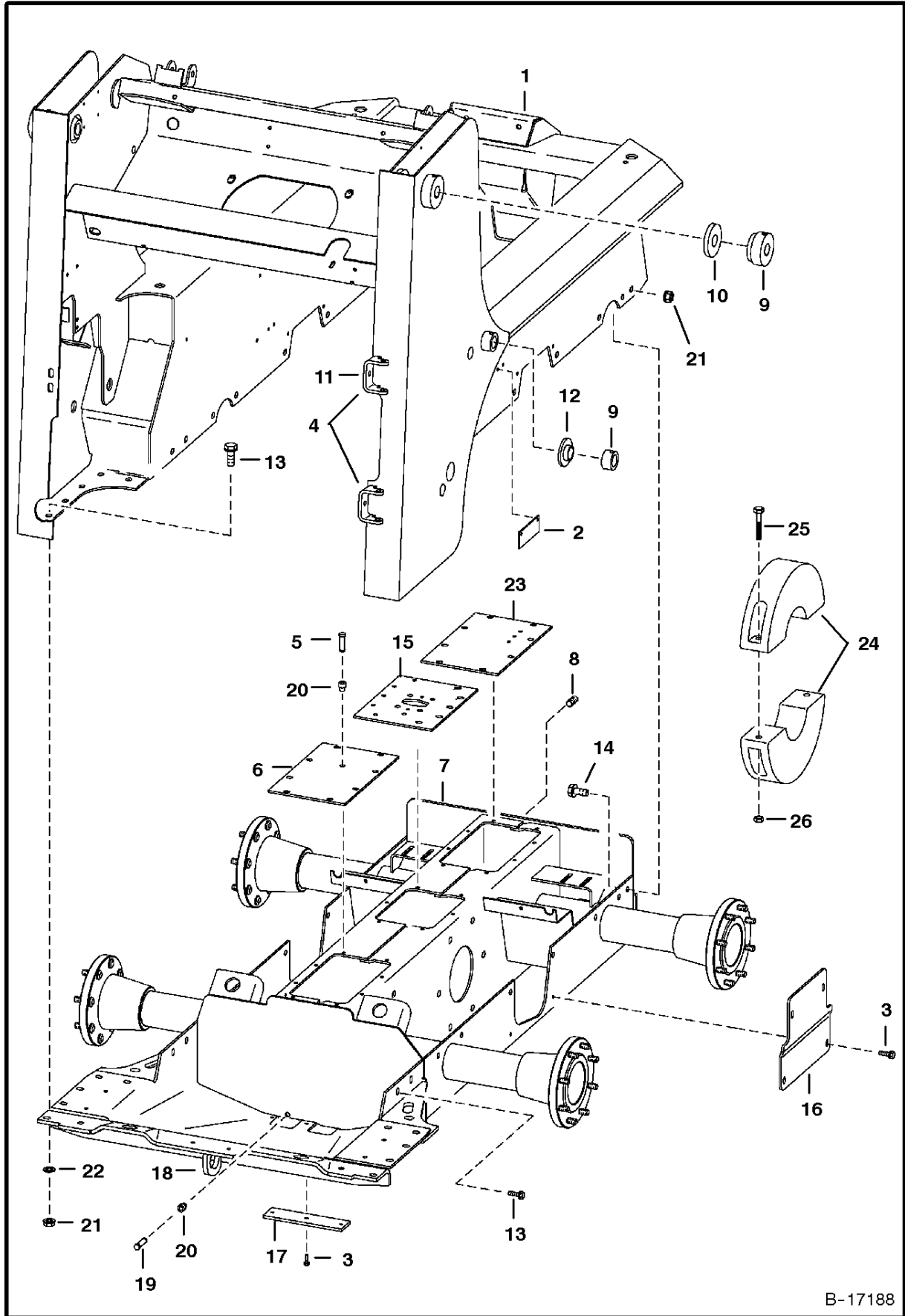
753 BICS CONTENTS (Cont'd)

POWER UNIT	246-311
COOLING SYSTEM	246-249
ENGINE & ATTACHING PARTS	250-265
THROTTLE	266-267
COOLING FAN DRIVE ASSY.	268-269
ENGINE & GASKET KITS	270-271
GEARCASE	272-273
CRANKCASE	274-275
ROCKER ARM COVER	276-277
VALVE ROCKER ARM	278-279
CYLINDER HEAD	280-281
OIL PAN	282-283
PISTON & CRANKSHAFT	284-285
FUEL CAMSHAFT	286-287
CAMSHAFT	288-289
WATER PUMP	290-291
WATER FLANGE & THERMOSTAT	292-293
MANIFOLDS	294-295
ENGINE STOP LEVER	296-297
GOVERNOR	298-299
SPEED CONTROL PLATE	300-301
INJECTION PUMP	302-305
INJECTOR NOZZLES	306-307
INJECTOR HOLDER	308-309
AIR CLEANER	310-311
ACCESSORIES & OPTION	315-536
ACCESS COVER	315-318
AIR DEFLECTOR KIT	319-320
AXLE SEAL KIT	321-322
BACK-UP ALARM	323-326
BEACON LIGHT	327-328
BLOCK HEATER	329-330
BOB-TACH LEVERS	331-332
BUCKET POSITION ON-OFF KIT	333-334
BUCKET POSITIONING VALVE KIT	335-338
BUMPERS	339-340
CAB ENCLOSURE (ENVELOPE)	341-342
CAB DOOR	343-350
CAB ENCLOSURE (SPECIAL APPLICATIONS - R.H. HINGED DOOR)	351-354
CAB ENCLOSURE	355-358
CAB WINDOWS	359-360
CLOSED ALTERNATOR	361-362
COUNTERWEIGHT KIT	363-368
DECALS	369-374
ELECTRICAL CONTROLS KIT	375-378
ENGINE MOUNT KITS	379-380
EUROPEAN ACCESSORIES	381-402
FIRE EXTINGUISHER	403-404
FLASHER LIGHTS	405-408
FRONT AUXILIARY KIT	409-416
HAND CONTROL KIT	417-420
* HAND CONTROL KIT	421-424
HANDLE KITS	425-426
HEATER KIT (FRESH AIR)	427-430
HEATER (FRESH AIR)	431-434

753 BICS CONTENTS (Cont'd)

ACCESSORIES & OPTION (CONT'D)	315-536
HEATER PLUMBING KIT (FRESH AIR)	435-436
HEATER KIT	437-438
HEATER	439-440
HEATER PLUMBING KIT	441-442
HORN KIT	443-446
HOURLMETER KIT	447-448
INSECT SCREEN KIT	449-450
KEYLESS IGNITION	451-452
LIFT KIT	453-458
LIGHT KIT	459-462
MUFFLER/PURIFIER KIT	463-464
PRESSURE RELEASE KIT (FRONT AUXILIARY)	465-466
PRESSURE RELEASE VALVE	467-468
PRESSURE RELEASE KIT (HIGH HORSEPOWER HYDRAULICS)	469-470
PUSH TO OPERATE KIT	471-474
RADIATOR SCREEN KIT	475-476
REAR AUXILIARY	477-484
REAR AUXILIARY VALVE	485-488
REAR DOOR LOCK	489-492
REAR WIPER KIT	493-494
RENTAL KIT	495-496
SEAT	497-502
SEAT BAR KIT	503-506
SEAT BELT	507-508
SEAT KIT	509-510
SEAT RAIL COVER KIT	511-512
SEAT SENSOR OVERRIDE	513-516
SIDE CONSOLE KIT	517-518
SOUND KIT	519-520
SOUND REDUCTION HARDHAT	521-522
STROBE LIGHT	523-526
TIRES & RIMS	527-532
TOOL BOX	533-534
BULK ITEMS	535-536
NUMERICAL INDEX	537-603
NUMERICAL INDEX	537-603

MAIN FRAME



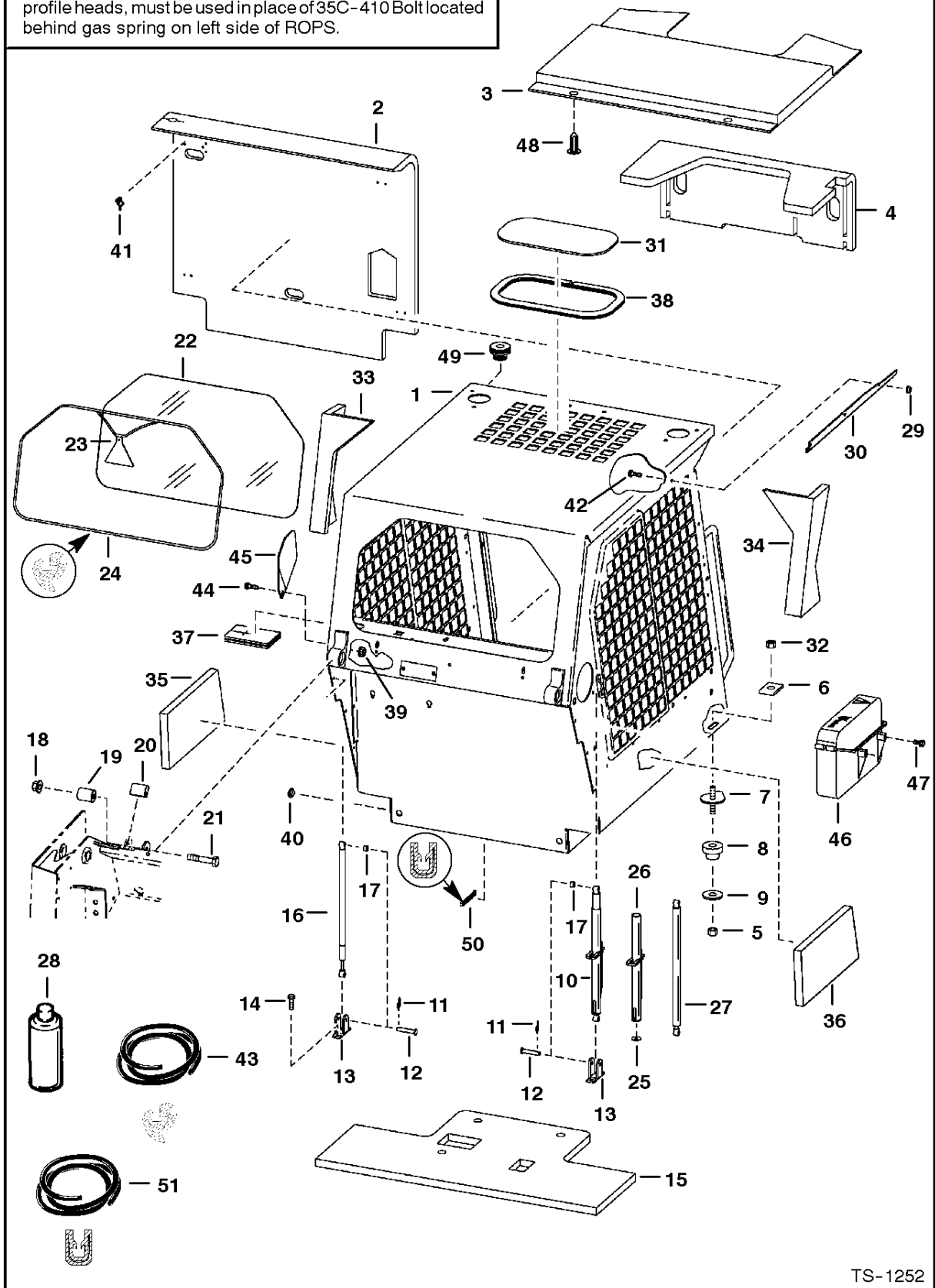
B-17188

MAIN FRAME

Ref.N°	Part N°	Description	Remarks	Serial N°	Qty.
1	NAP	MAIN FRAME	two piece rear door - SEE BTlinD1}w 316 - Was 670898 4 [A]		1
1	6714590	MAIN FRAME	one piece rear door	5158 11001-29999	1
1				5162 11001-19999	1
2	6704680	COVER	See Page HYDROSTATIC CIRCUITRY(1)		1
3	84G-3712	BOLT			11
4	6708987	BRACKET	hinge - weld on - for two piece rear door		1
4	6708987	BRACKET	hinge - weld on - for one piece rear door		2
5	6670627	BREATHER	See Page DISC BRAKE(1) - Was 6646626 [A]		1
6	6700330	COVER			1
7	6712827	CHAINCASE	See Page DRIVE TRAIN(1) - Was 6706913 [A]		1
8	11F-12	PLUG	chaincase fill		1
9	6702584	BUSHING	weld on		4
10	6702583	BUSHING	weld on		2
11	6577394	BRACKET	hinge - weld on - for two piece rear door		1
12	6555987	BUSHING	weld on		2
13	31C-824	BOLT			12
14	31C-820	BOLT			16
14	31C-820	BOLT		5158 11001-29999	28
14				5162 11001-19999	28
15	6706042	COVER	See Page DISC BRAKE(1)		1
16	6704695	COVER			2
17	6700182	COVER			1
18	6706485	HOOK	tie down - weld on		2
19	6599645	PLUG	chaincase drain		1
20	6553411	BUSHING			2
21	83D-8	NUT			28
21	83D-8	NUT		5158 11001-29999	26
21				5162 11001-19999	26
22	6701097	WASHER			10
23	6578505	COVER	See Page DISC BRAKE(1)		1
24	6714361	WEIGHT	38.7 lbs (17,6 kg) - 4.5"(114,3 mm) wide	5158 11001-29999	4
24				5162 11001-19999	4
25	17C-640	BOLT		5158 11001-29999	8
25				5162 11001-19999	8
26	61D-6	NUT		5158 11001-29999	8
26				5162 11001-19999	8

OPERATOR CAB

NOTE: 6714062 Gas Spring Kit to be used when loader is equipped W/Cab Enclosure. Because Gas Spring is heavy duty W/larger diameter, (2) of 91G-416 Screws, with low profile heads, must be used in place of 35C-410 Bolt located behind gas spring on left side of ROPS.



TS-1252

OPERATOR CAB

Ref.N°	Part N°	Description	Remarks	Serial N°	Qty.
1	6701957	OPERATOR CAB	includes cab decals		1
2	6708682	INSULATION	Use W/Ref. OPERATOR CAB(41) - Was 6707326 [A]		1
3	6706155	INSULATION	cab top - Use W/Ref. OPERATOR CAB(28)	5127 27672 & Bel	1
3				5086 94556 & Bel	1
3	6715094	INSULATION	cab top - Use W/Ref. OPERATOR CAB(48) - Was 6712537 [A]	5127 27673 & Abv	1
3				5086 94557 & Abv	1
3				5158 11001-29999	1
3				5162 11001-19999	1
4	6718489	INSULATION	control panel - Use W/Ref. OPERATOR CAB(41) - Was 6709020 [A]		1
5	85D-8	NUT			2
6	6553709	WASHER			2
7	6702971	BOLT			2
8	6560633	MOUNT			2
9	6515817	WASHER			2
10	NAP	GAS SPRING	Order Ref. OPERATOR CAB(25)-OPERATOR CAB(27)		1
11	6631418	PIN	ring		4
12	6567743	PIN			4
13	6706349	MOUNT			2
14	84G-3112	BOLT			4
15	6715095	INSULATION	seat pan - Use W/Ref. OPERATOR CAB(28) - Was 6706982 [B]		1
16	6700171	GAS SPRING	W/O lock		1
16	6714062	KIT	W/O lock - heavy duty gas spring - SEE NOTE		1
16	91G-416	BOLT	SEE NOTE		2
17	6567604	SPACER			2
18	53D-10	NUT	Was 83D-10 [B]		2
19	6562602	BUSHING	rubber		2
20	6579613	STOP	cab tilt		2
21	17C-1056	BOLT			2
22	6701651	WINDOW	rear		1
23	6559515	EXIT TAG			1
24	NAP	EXTRUSION	100"(2540 mm)long-Order Ref. OPERATOR CAB(43)		1
24	NAP	CORD	100"(2540 mm)long-Order Ref. OPERATOR CAB(43)		1
25	6701174	WASHER			1
26	6708189	TUBE	stop - Was 6701175 [A]		1
27	6664205	GAS SPRING			1
28	6652818	ADHESIVE	insulation - 24 oz. spray can		x
29	83D-4	NUT			6
30	6703159	TRACK	R.H.		1
30	6703160	TRACK	L.H.		1
31	6705735	WINDOW			1
32	59D-8	NUT			2
33	6715098	INSULATION	cab back - Use W/Ref. OPERATOR CAB(41) - Was 6706156 [A]		1
34	6715097	INSULATION	cab back - Use W/Ref. OPERATOR CAB(41) - Was 6706157 [A]		1
35	6703451	INSULATION	cab back - Use W/Ref. OPERATOR CAB(28)		1
36	6703452	INSULATION	cab back - Use W/Ref. OPERATOR CAB(28)		1
37	6703455	INSULATION	cab back - Use W/Ref. OPERATOR CAB(28)		1
38	6664351	SEAL	Used W/ Cab Headliner		1
38	6665012	SEAL	Used W/O Cab Headliner		1
39	83D-5	NUT			4
40	6664374	PLUG	heater hole		5
41	6664310	CLIP	insulation		7

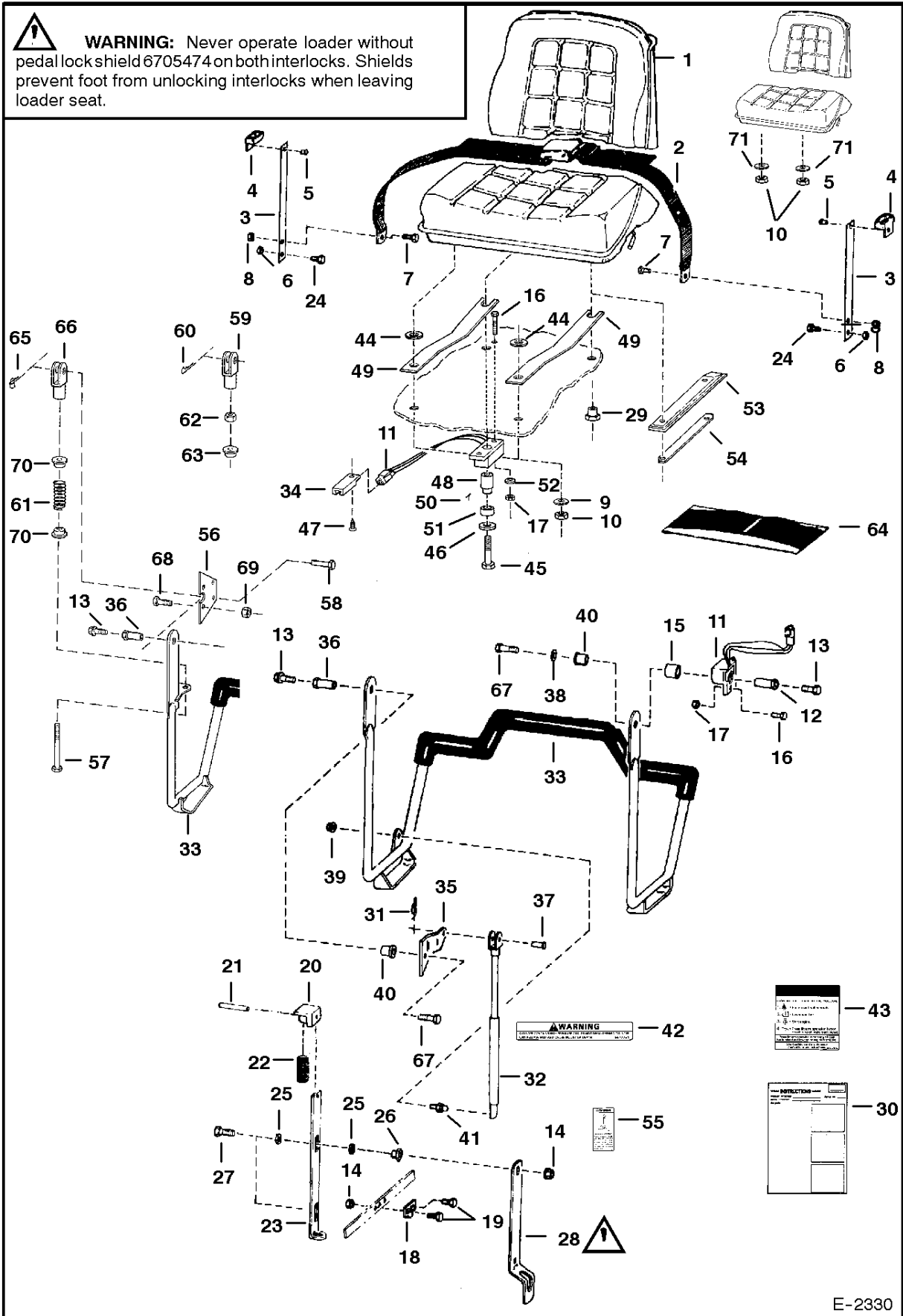
OPERATOR CAB

Ref.N°	Part N°	Description	Remarks	Serial N°	Qty.
42	35C-410	BOLT			6
43	6665568	SEAL	bulk - Sold Per Foot - Was 6658352 [B]		x
43	6554149	CORD	bulk - Sold Per Foot		x
44	17C-512	BOLT			1
45	6707879	COVER			1
46	6708827	CONTAINER	manuals		1
47	6702642	BOLT			2
48	6669308	RETAINER	snap in		2
49	6707674	PLUG	round - plugs 1.28'(32,5 mm)dia. hole in cab - Was 6707644 [D]		1
50	NAP	MOULDING	10.5'(266 mm) long - Order Ref. OPERATOR CAB(51)		2
51	6654139	MOULDING	bulk - Sold Per Print		x

SEAT & SEAT BAR



WARNING: Never operate loader without pedal lock shield 6705474 on both interlocks. Shields prevent foot from unlocking interlocks when leaving loader seat.



E-2330

SEAT & SEAT BAR

Ref.N°	Part N°	Description	Remarks	Serial N°	Qty.
1		SEAT	See Page SEAT(1) - Standard seat requires (1) of Ref. SEAT & SEAT BAR(49) located on R.H. side - Milsco Suspension seat requires		1
2	NAP	SEAT BELT	Order Ref. SEAT & SEAT BAR(64) - Was 6564774 [A]		1
2	NAP	SEAT BELT	Order 6675074inD1 Seat Belt & (2) of Ref. SEAT & SEAT BAR(3) (6725373inD1 Spring Plate) - Was 6667875 [A]		1
2	NAP	SEAT BELT	W/spring plates - Order 6675074inD1 Seat Belt & (2) of Ref. SEAT & SEAT BAR(3) (6725373 Spring Plate) - Was 6725403 [A]		1
2	6675074	SEAT BELT	W/O spring plates		1
3	NAP	GUIDE ASSY.	W/Ref. SEAT & SEAT BAR(4) & SEAT & SEAT BAR(5) - 13.75'(349,3 mm) long - Use W/(NAP/6564774 Seat Belt) - Was 6565354 [A]		2
3	NAP	GUIDE ASSY.	W/Ref. SEAT & SEAT BAR(4) & SEAT & SEAT BAR(5) - 12.25'(311,2 mm) long - Use W/(NAP/6667875 Seat Belt) - Order 6711908inD1}} S		2
3	6711908	SPRING PLATE	Use W/Ref. SEAT & SEAT BAR(2) (NAP/6667875 Seat Belt)		2
3	6725373	SPRING PLATE	Use W/Ref. SEAT & SEAT BAR(2) (6675074inD1 Seat Belt)		2
4	6565355	GUIDE			2
5	6630207	RIVET			4
6	85D-6	NUT			2
7	17C-716	BOLT	Was 17C-715 [D]		2
8	85D-7	NUT			2
9	6701174	WASHER			2
10	61D-5	NUT			2
10	61D-5	NUT		5158 17500-29999	4
10				5162 12000-19999	4
11	6670652	SENSOR	Also Order Ref. SEAT & SEAT BAR(50) - Was 6667690 [A]		2
12	6706685	BUSHING			1
13	35C-608	BOLT		5127 & Bel	2
13	35C-612	BOLT		5127 & Abv	2
13				5158 11001-29999	2
13				5162 11001-19999	2
14	83D-6	NUT			8
15	6671135	BUSHING	magnetic - Was 6665521 [A]		1
16	35C-410	BOLT	fastens thru tab of Ref. SEAT & SEAT BAR(11) - 5/8'(15,9 mm) long		2
16	17C-428	BOLT	fastens thru body of Ref. SEAT & SEAT BAR(11) - 1.75'(44,4 mm) long - Was 6710539 [A]		1
17	83D-4	NUT	fastens thru tab of Ref. SEAT & SEAT BAR(11)		2
17	50D-12	NUT	fastens thru body of Ref. SEAT & SEAT BAR(11)		1
18	6563151	LINK			2
19	17C-616	BOLT			4
20	6563148	BLOCK			2
21	14J-2512	PIN			2
22	6702430	SPRING			2
23	6578150	LOCK			2
24	17C-612	BOLT		5127 & Bel	4
24	17C-612	BOLT		5127 & Abv	2
24				5158 11001-29999	2
24				5162 11001-19999	2
25	6700170	WASHER	plastic		8
26	6559479	NUT			4
27	6705489	BOLT			4
28	6705474	LOCK SHIELD	Never operate loader without pedal lock shield on both interlocks ... SEE WARNING ON PREVIOUS PAGE		2

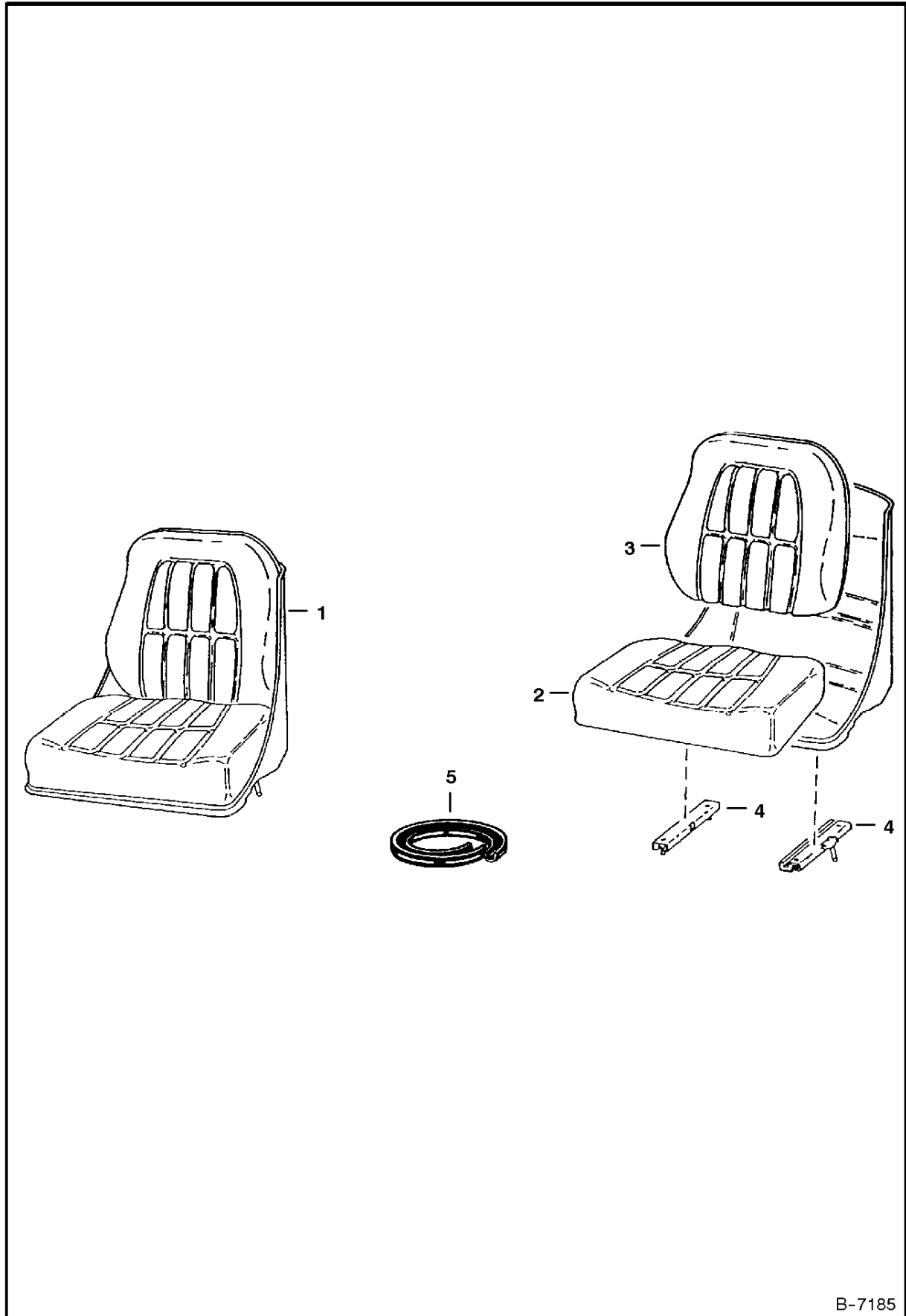
SEAT & SEAT BAR

Ref.N°	Part N°	Description	Remarks	Serial N°	Qty.
29	6707319	NUT	spacer		1
30	6722392	INSTRUCTIONS	For Ref. SEAT & SEAT BAR(28)		1
31	6631418	PIN	ring	5127 27480 & Bel	1
31				5086 94528 & Bel	1
32	6664207	GAS SPRING		5127 27480 & Bel	1
32				5086 94528 & Bel	1
33	6716778	SEAT BAR	for use W/Gas Spring - Was 6706358 [A]	5127 27480 & Bel	1
33				5086 94528 & Bel	1
33	NAP	SEAT BAR	for use W/Compression Springs - 6.88'(174,8 mm) from top hole to weld on tab - Order 6713609 Seat Bar & (2) ea. of Ref. SEAT &	5127 27481-33853	1
33				5086 94529-	1
33	6716777	SEAT BAR	for use W/Compression Springs - 6.13'(155,7 mm) from top hole to weld on tab - Order 6713609 Seat Bar & (2) ea. of Ref. SEAT &	5127 33854 & Abv	1
33				5158 11001-29999	1
33				5162 11001-19999	1
34	6665000	CLIP		5127 27480 & Bel	1
34				5086 94528 & Bel	1
35	6706388	BRACKET		5127 27480 & Bel	1
35				5086 94528 & Bel	1
36	6706962	BUSHING			1
37	4F-5062	PIN			1
38	25E-17	WASHER	Was 25E-18 [B]		1
39	85D-5	NUT			1
40	6664882	BUSHING	keyed		1
41	6649244	BALL STUD		5127 27480 & Bel	1
41				5086 94528 & Bel	1
42	6577754	DECAL	warning	5127 27480 & Bel	1
42				5086 94528 & Bel	1
43	6707134	DECAL	instruction for LCS		1
44	6706890	WASHER			2
45	17C-508	BOLT			2
46	25E-16	WASHER			1
47	6664221	RETAINER			1
48	NAP	BUSHING	spacer - 1.77'(45 mm) long		1
48	6710751	BUSHING	spacer - 1.67'(42,4 mm) long		1
49	6706966	SPRING	plate		1
50	6664881	KEY	magnet bushing		1
51	6666608	BUSHING	tapered magnetic		1
52	25E-10	WASHER			1
53	6711729	COVER			2
54	6711730	STRIP			2
55	6705720	DECAL	lock shield		1
56	6710660	MOUNT		5127 27481 & Abv	2
56				5086 94529 & Abv	2
56				5158 11001-29999	2
56				5162 11001-19999	2
57	6713887	BOLT	Was 6711897 [A]	5127 27481 & Abv	2
57				5086 94529 & Abv	2
57				5158 11001-29999	2
57				5162 11001-19999	2
58	4F-6106	PIN		5127 27481 & Abv	2
58				5086 94529 & Abv	2
58				5158 11001-29999	2
58				5162 11001-19999	2

SEAT & SEAT BAR

Ref.N°	Part N°	Description	Remarks	Serial N°	Qty.
59	2J-6208	CLEVIS	2.85'(72,4 mm) long	5127 27481 & Abv	2
59				5086 94529 & Abv	2
59				5158 11001-29999	2
59				5162 11001-19999	2
60	1306637	PIN		5127 27481 & Abv	2
60				5086 94529 & Abv	2
60				5158 11001-29999	2
60				5162 11001-19999	2
61	6701535	SPRING		5127 27481 & Abv	2
61				5086 94529 & Abv	2
61				5158 11001-29999	2
61				5162 11001-19999	2
62	8D-6	NUT	jam	5127 27481 & Abv	2
62				5086 94529 & Abv	2
62				5158 11001-29999	2
62				5162 11001-19999	2
63	6571991	WASHER		5127 27481 & Abv	2
63				5086 94529 & Abv	2
63				5158 11001-29999	2
63				5162 11001-19999	2
64	NAP	KIT	seat belt - W/Ref. SEAT & SEAT BAR(2) & SEAT & SEAT BAR(3) - Order Ref. SEAT & SEAT BAR(2) (6675 074inD1 Seat Belt) & (2) of Ref.		1
65	6631418	PIN		5127 & Abv	2
65				5158 11001-29999	2
65				5162 11001-19999	2
66	6713589	CLEVIS	2.09'(53,1 mm) long	5127 & Abv	2
66				5158 11001-29999	2
66				5162 11001-19999	2
67	17C-612	BOLT		5127 & Bel	2
67	17C-608	BOLT		5127 & Abv	2
67				5158 11001-29999	2
67				5162 11001-19999	2
68	17C-712	BOLT			2
69	91D-7	NUT			2
70	6710659	BUSHING		5127 27481 & Abv	2
70				5086 94529 & Abv	2
70				5158 11001-29999	2
70				5162 11001-19999	2
71	6707318	GUIDE	Was 6571991 [B,D]	5158 17500-29999	2
71				5162 12000-19999	2

**SEAT
(Milsco)**

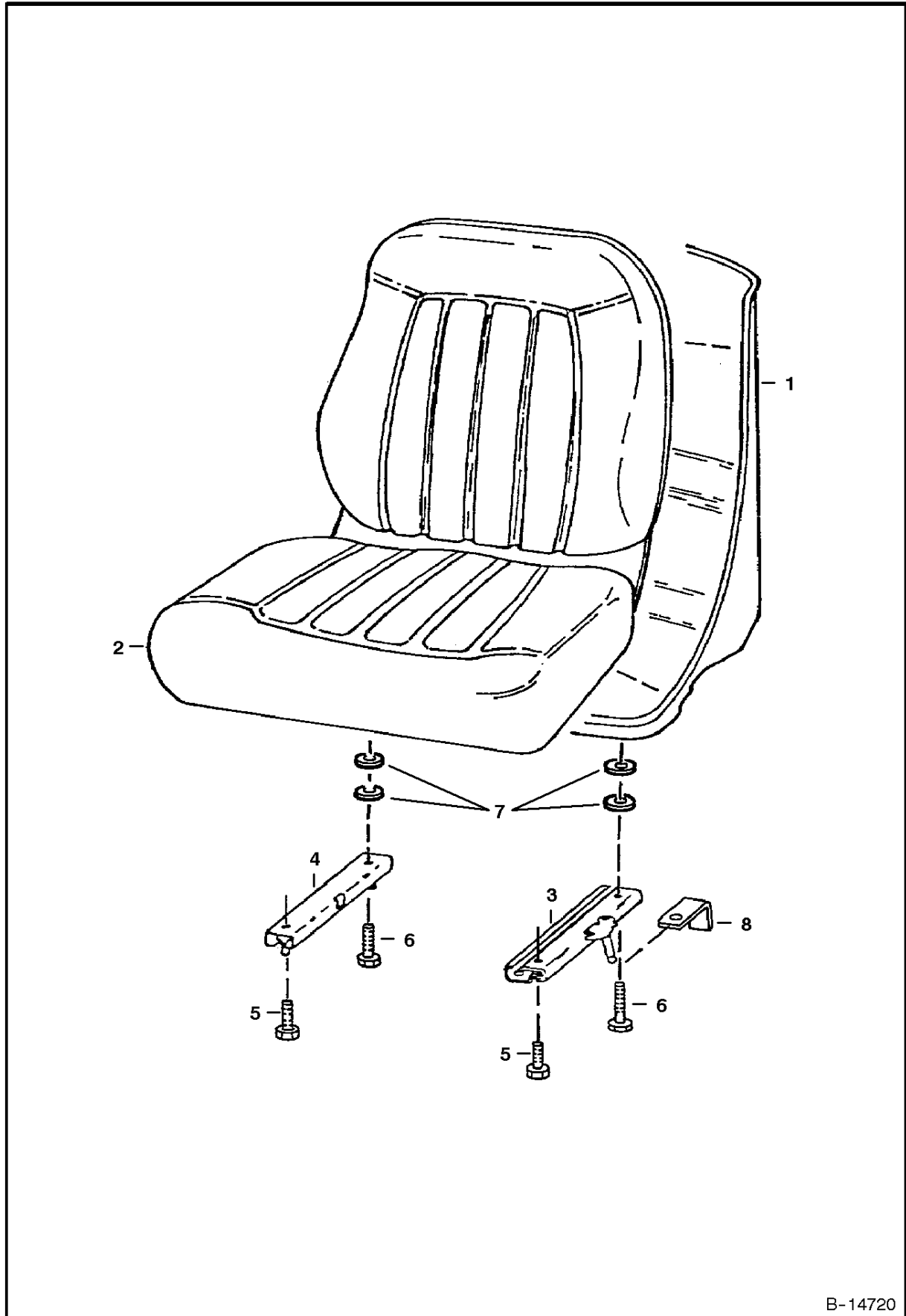


B-7185

SEAT

Ref.N°	Part N°	Description	Remarks	Serial N°	Qty.
1	NAP	SEAT	Order 6669135inD1} Seat - See Page SEAT(1) - Was 6665401 [A]		1
2	6630468	SEAT CUSHION	seat		1
3	6630465	BACK CUSHION	back		1
4	6630469	TRACK	W/ Latch		1
4	6599780	TRACK	W/O Latch		1
5	6652935	EDGING	96" (2,4 m) - For Ref. SEAT(2) & SEAT(3)		x
5	6665656	CLIP	splice		1

SEAT (Michigan)

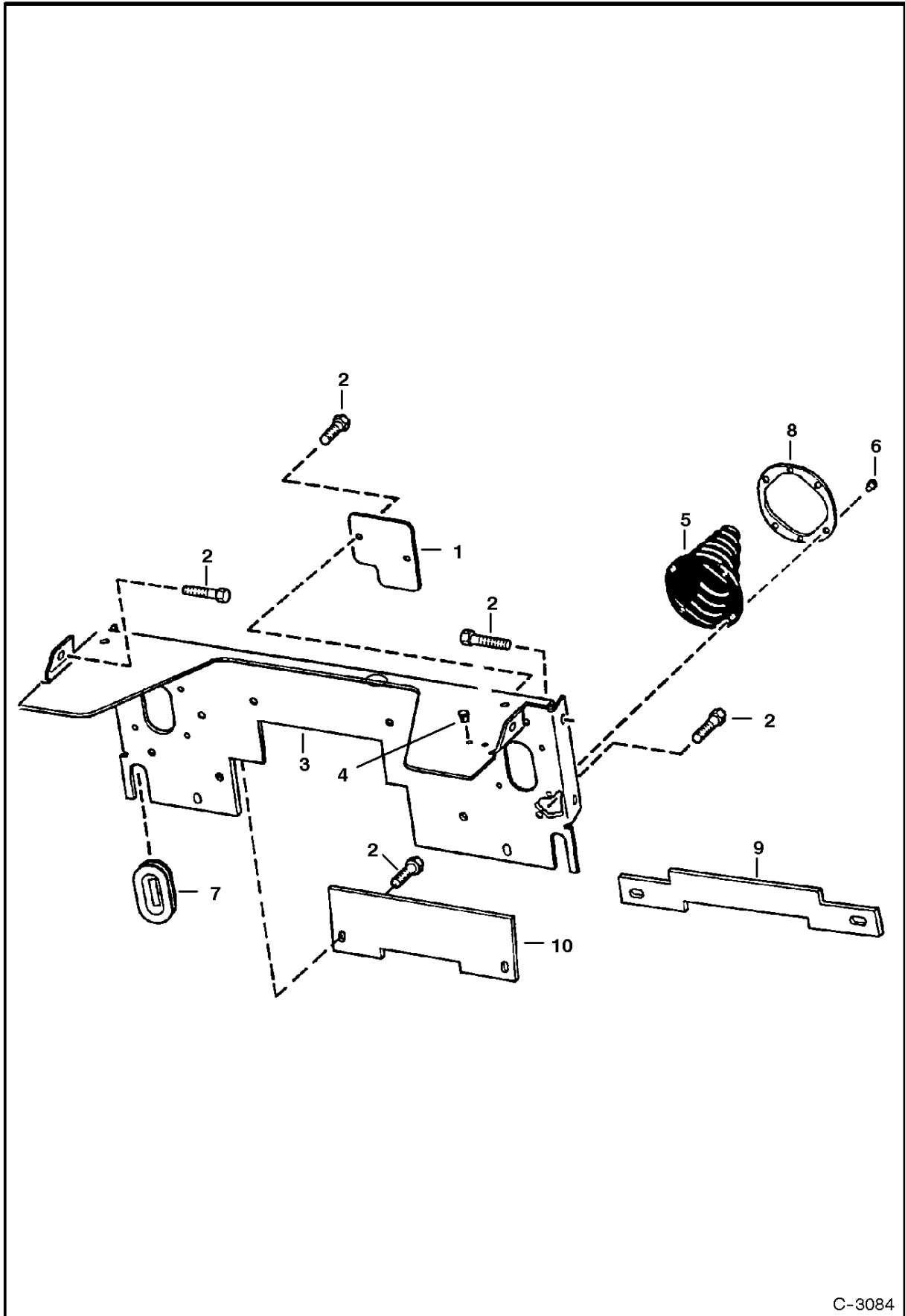


B-14720

SEAT

Ref.N°	Part N°	Description	Remarks	Serial N°	Qty.
1	NAP	SEAT	W/Ref. SEAT(2)-SEAT(5) & SEAT(8) - Order 6669135i nD1} Seat - Was 6667684 [A]		1
1	6669135	SEAT	W/Ref. SEAT(2)-SEAT(7)		1
2	6670160	CUSHION	W/edging, clip & (2) grommets		1
2	NSS	EDGING			1
2	NSS	CLIP			1
3	NAP	TRACK	L.H. - W/10'(254 mm) latch - Was 6669088 [A]		1
3	6674013	TRACK	L.H. - W/8'(203,2 mm) latch		1
4	6669089	TRACK	R.H. - W/O Latch		1
5	25G-512	BOLT	6669135 Seat uses (2) bolts		4
6	25G-520	BOLT			2
7	6672715	SPACER	Was 7000010 [A]		4
8	6668953	BRACKET	See S/L Dated 16 April 1996		2

PANELS

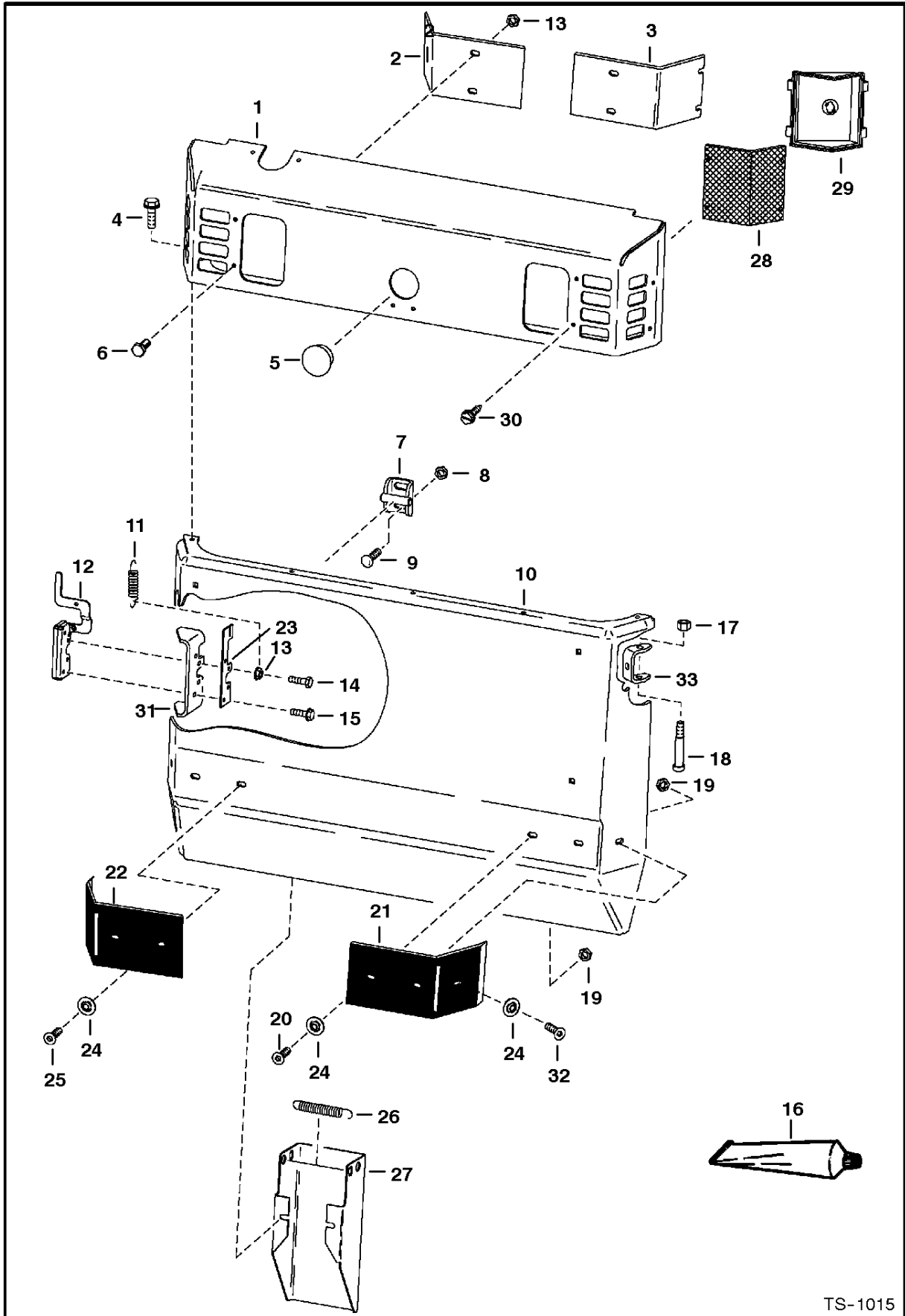


C-3084

PANELS

Ref.N°	Part N°	Description	Remarks	Serial N°	Qty.
1	6707316	PLATE			1
2	84G-3712	BOLT			16
3	NAP	SHIELD	Order (2) of Ref. PANELS(2) & (1) ea. of 6717208 Shield & Ref. PANELS(10) - Was 6706917 [A]		1
3	6717208	SHIELD			1
4	5289686	PLUG			2
5	6532127	BOOT	W/Ref. PANELS(8)		2
6	6630207	RIVET			12
7	6577961	GROMMET			2
8	NAP	PLATE	Order Ref. PANELS(5)		2
9	NAP	COVER	Order Ref. PANELS(10) - Was 6717890 [B]		1
10	6718446	COVER	5.25" x 13" (133,4mm x 330,2mm)		1

REAR DOOR



TS-1015



Download the full PDF manual instantly.

Our customer service e-mail:

aservicemanualpdf@yahoo.com