

**337
341**



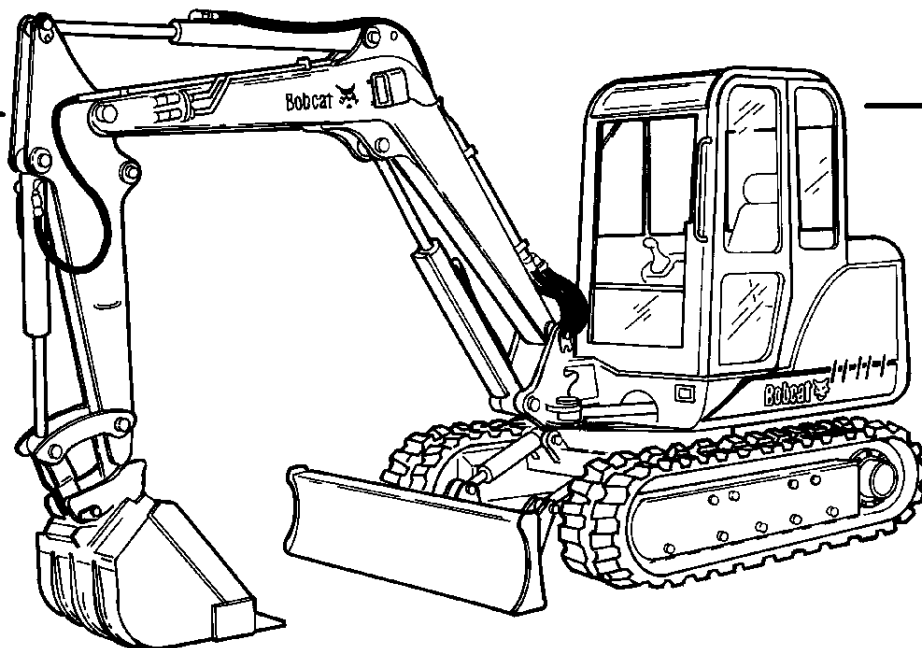
Bobcat®

D-Series

Parts Manual

337D (S/N 2333 11001 & Above)

341D (S/N 2332 11001 & Above)



337/341 D-SERIES ALPHABETICAL INDEX

ADHESIVE	422
ALTERNATOR	208
ANTI-FREEZE	422
ARM CYLINDER	194, 196
BEARING, SWING	54
BLADE	82
BLADE CYLINDER	198
BLOCK HEATER	302
BOOM	80
BOOM CYLINDER	200
BOOM SWING CYL.	204
BRACKET, SWING	74
BUCKET CYLINDER	202
CAMSHAFT	244, 246
COUPLER, AUXILIARY	94
CRANKSHAFT	242
CYLINDER BLOCK	232
CYLINDER HEAD	238
CYLINDER, BOOM SWING	204
CYLINDER, BOOM	200
CYLINDER, BUCKET	202
DIPSTICK, ENG. OIL	240
DRIVE MOTOR	180
ENGINE	224
FILTER, ENG. OIL	226
FRAME, TRACK	54
FRONT IDLER	60, 62
GLOW PLUG	268
HEAD, CYLINDER	238
HYD/HYDRO FLUID	422
IDLER, FRONT	60, 62
INJECTION NOZZLES	268, 270
LUBRICANT	422
MANIFOLD	252
OIL	422
PAINT	422
PISTON	242
POLISH	422
PUMP, FUEL	264
PUMP, OIL	232
PUMP, WATER	248
RECOIL SPRING	54
ROLLER, TRACK	64, 66, 68, 70
SEALANT	422
SELECTOR VALVE	172
SPROCKET, TRACK	54
STARTER	210
SWING BEARING	54
SWING POST	74
SWIVEL JOINT	178
THERMOSTAT	250
TRACK ROLLER	64, 66, 68, 70
TRACK SPROCKET	54
TRACK, FRAME	54
TRACK	72
TRAVEL MOTOR	180
VALVE COVER	234
VALVE, ENGINE	236
VALVE, SELECTOR	172

337/341 D-SERIES CONTENTS

MAIN FRAME	13-54
UPPERSTRUCTURE	13-16
COUNTERWEIGHT	17-18
R.H. COVER	19-20
TAILGATE	21-24
OPERATOR CANOPY	25-26
OPERATOR CAB	27-36
R.H. CAB PANEL/WINDOW	37-38
OPERATOR AREA & SEAT	39-40
SEAT	41-44
INSULATION	45-46
CONTROLS - BLADE	47-48
CONTROL - OFFSET	49-50
CONTROLS - TRAVEL	51-52
CONTROL - THROTTLE	53-54
UNDERCARRIAGE	55-74
UNDERCARRIAGE	55-56
RECOIL SPRING	57-60
FRONT IDLER	61-64
TRACK ROLLER	65-72
TRACKS	73-74
WORK EQUIPMENT	75-84
SWING BRACKET	75-76
ARM & BUCKET LINK	77-78
X-CHANGE [®] MOUNTING	79-80
BOOM	81-82
BLADE	83-84
CONTROL CONSOLE	85-91
L.H. CONSOLE	85-92
R.H. CONSOLE	93-94
HYDRAULIC CIRCUITRY	95-208
HYDRAULIC CIRCUITRY	95-118
SELECOTR VALVE ASSY	119-120
HYDRUALIC CIRCUITRY	121-128
HYDROSTATIC PUMP	129-132
CONTROL VALVE	133-160
TRAVEL CONTROLLER	161-164
R.H. JOYSTICK	165-166
* R.H. JOYSTICK	167-168
L.H. JOYSTICK	169-172
SELECTOR VALVE	173-174
LOCK VALVE	175-176
SEQUENCE VALVE	177-178
SWIVEL JOINT	179-180
TRAVEL MOTOR	181-184
MOUNT ASSY	185-186
RELIEF/BRAKE VALVE	187-188
SWING MOTOR	189-192
* SWING MOTOR	193-194
ARM CYLINDER	195-198
BLAD CYLINDER	199-200
BOOM CYLINDER	201-202
BUCKET CYLINDER	203-204
SWING CYLINDER	205-206
CLAMP CYLINDER	207-208
ELECTRICAL	209-216
ALTERNATOR	209-210
STARTER	211-212
ELECTRICAL	213-214
* CAB ELECTRICAL	215-216

337/341 D-SERIES CONTENTS (Cont'd)

POWER UNIT	217-276
ENGINE & ATTACHING PARTS	217-224
ENGINE & GASKET KITS	225-226
GEARCASE	227-228
OIL COOLER	229-232
CRANKCASE	233-234
ROCKER ARM COVER	235-236
VALVE ROCKER ARM	237-238
CYLINDER HEAD	239-240
OIL PAN	241-242
PISTON & CRANKSHAFT	243-244
FUEL CAMSHAFT	245-246
CAMSHAFT	247-248
WATER PUMP	249-250
WATER FLANGE & THERMOSTAT	251-252
MANIFOLDS	253-254
TURBO CHARGER	255-256
OIL PIPE	257-258
ENGINE STOP LEVER	259-260
GOVERNOR	261-262
SPEED CONTROL PLATE	263-264
INJECTION PUMP	265-268
INJECTOR NOZZLES	269-270
INJECTOR HOLDER	271-272
FUEL SYSTEM	273-274
AIR CLEANER	275-276
ACCESSORIES	281-426
AIR CONDITIONING UPGRADE KIT	281-282
AIR CONDITIONER	283-284
AUGER	285-298
AUGER - HYDRAULIC MOTOR	299-304
BLOCK HEATER	305-306
BREAKER TOOLS	307-310
BUCKET	311-312
CAB LIGHT KIT	313-314
CANOPY ENCLOSURE KIT	315-318
CLAMP	319-320
COMPACTOR	321-324
CONSOLE SPRING KIT	325-326
COUNTERWEIGHT KIT	327-328
CUTTER CRUSHER (MODEL 30)	329-332
CUTTER CRUSHER (MODEL 40)	333-340
CUTTER CRUSHER	341-348
DECALS	349-352
DIRECT TO TANK	353-354
HEATER/AIR CONDITIONER BOX	355-358
HEATER BOX	359-362
HEATER INSTALLATION	363-364
HEATER KIT	365-368
HYDRA-TILT	369-370
HYDRA-TILT CYLINDER	371-372
HYDRAULIC BREAKER (MODEL 5060)	373-374
HYDRAULIC BREAKER CRADLE & MOUNT	375-376
HYDRAULIC BREAKER HOSES	377-378
HYDRAULIC BREAKER MOUNTING FRAME	379-380
HYDRAULIC BREAKER (MODEL 6560)	381-384
KEYLESS IGNITION KIT	385-386
LONG ARM KIT	387-388
MOTION ALARM KIT	389-390
POWERTILT	391-394
PURIFIER	395-396
RIPPER	397-398
SPECIAL APPLICATIONS CANOPY KIT	399-400
SPECIAL APPLICATIONS CAB	401-402
STEEL TRACK KIT	403-404
TOP GUARD KIT	405-406

337/341 D-SERIES CONTENTS (Cont'd)

ACCESSORIES (CONT'D)	281-426
VINYL CAB ENCLOSURE KIT	407-408
X-CHANGE™ BREAKER MOUNTING KIT	409-410
X-CHANGE™ KIT (BOLT ON)	411-412
X-CHANGE™ CONVERSION KIT - BREAKER	413-414
X-CHANGE™ KIT	415-416
X-CHANGE™ MOUNT	417-418
X-CHANGE™ MOUNTED ONLY	419-420
X-CHANGE™ - HYDRAULIC BREAKER	421-422
WIDE LINK KIT	423-424
BULK ITEMS	425-426
NUMERICAL INDEX	427-483
NUMERICAL INDEX	427-483

337/341 D-SERIES CONTENTS

MAIN FRAME	13-54
UPPERSTRUCTURE	13-16
COUNTERWEIGHT	17-18
R.H. COVER	19-20
TAILGATE	21-24
OPERATOR CANOPY	25-26
OPERATOR CAB	27-36
R.H. CAB PANEL/WINDOW	37-38
OPERATOR AREA & SEAT	39-40
SEAT	41-44
INSULATION	45-46
CONTROLS - BLADE	47-48
CONTROL - OFFSET	49-50
CONTROLS - TRAVEL	51-52
CONTROL - THROTTLE	53-54
UNDERCARRIAGE	55-74
UNDERCARRIAGE	55-56
RECOIL SPRING	57-60
FRONT IDLER	61-64
TRACK ROLLER	65-72
TRACKS	73-74
WORK EQUIPMENT	75-84
SWING BRACKET	75-76
ARM & BUCKET LINK	77-78
X-CHANGE [®] MOUNTING	79-80
BOOM	81-82
BLADE	83-84
CONTROL CONSOLE	85-91
L.H. CONSOLE	85-92
R.H. CONSOLE	93-94
HYDRAULIC CIRCUITRY	95-208
HYDRAULIC CIRCUITRY	95-118
SELECOTR VALVE ASSY	119-120
HYDRUALIC CIRCUITRY	121-128
HYDROSTATIC PUMP	129-132
CONTROL VALVE	133-160
TRAVEL CONTROLLER	161-164
R.H. JOYSTICK	165-166
* R.H. JOYSTICK	167-168
L.H. JOYSTICK	169-172
SELECTOR VALVE	173-174
LOCK VALVE	175-176
SEQUENCE VALVE	177-178
SWIVEL JOINT	179-180
TRAVEL MOTOR	181-184
MOUNT ASSY	185-186
RELIEF/BRAKE VALVE	187-188
SWING MOTOR	189-192
* SWING MOTOR	193-194
ARM CYLINDER	195-198
BLAD CYLINDER	199-200
BOOM CYLINDER	201-202
BUCKET CYLINDER	203-204
SWING CYLINDER	205-206
CLAMP CYLINDER	207-208
ELECTRICAL	209-216
ALTERNATOR	209-210
STARTER	211-212
ELECTRICAL	213-214
* CAB ELECTRICAL	215-216

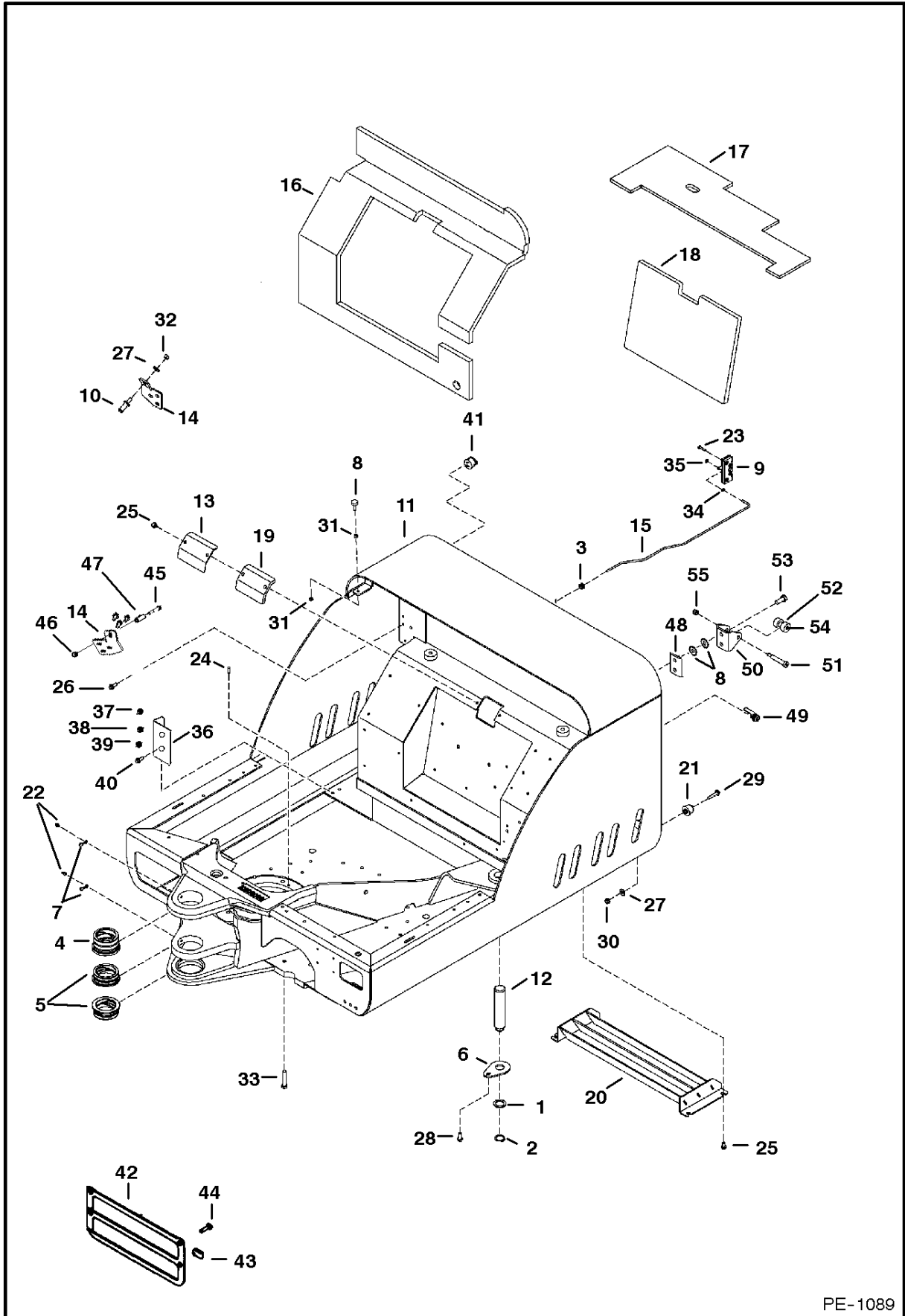
337/341 D-SERIES CONTENTS (Cont'd)

POWER UNIT	217-276
ENGINE & ATTACHING PARTS	217-224
ENGINE & GASKET KITS	225-226
GEARCASE	227-228
OIL COOLER	229-232
CRANKCASE	233-234
ROCKER ARM COVER	235-236
VALVE ROCKER ARM	237-238
CYLINDER HEAD	239-240
OIL PAN	241-242
PISTON & CRANKSHAFT	243-244
FUEL CAMSHAFT	245-246
CAMSHAFT	247-248
WATER PUMP	249-250
WATER FLANGE & THERMOSTAT	251-252
MANIFOLDS	253-254
TURBO CHARGER	255-256
OIL PIPE	257-258
ENGINE STOP LEVER	259-260
GOVERNOR	261-262
SPEED CONTROL PLATE	263-264
INJECTION PUMP	265-268
INJECTOR NOZZLES	269-270
INJECTOR HOLDER	271-272
FUEL SYSTEM	273-274
AIR CLEANER	275-276
ACCESSORIES	281-426
AIR CONDITIONING UPGRADE KIT	281-282
AIR CONDITIONER	283-284
AUGER	285-298
AUGER - HYDRAULIC MOTOR	299-304
BLOCK HEATER	305-306
BREAKER TOOLS	307-310
BUCKET	311-312
CAB LIGHT KIT	313-314
CANOPY ENCLOSURE KIT	315-318
CLAMP	319-320
COMPACTOR	321-324
CONSOLE SPRING KIT	325-326
COUNTERWEIGHT KIT	327-328
CUTTER CRUSHER (MODEL 30)	329-332
CUTTER CRUSHER (MODEL 40)	333-340
CUTTER CRUSHER	341-348
DECALS	349-352
DIRECT TO TANK	353-354
HEATER/AIR CONDITIONER BOX	355-358
HEATER BOX	359-362
HEATER INSTALLATION	363-364
HEATER KIT	365-368
HYDRA-TILT	369-370
HYDRA-TILT CYLINDER	371-372
HYDRAULIC BREAKER (MODEL 5060)	373-374
HYDRAULIC BREAKER CRADLE & MOUNT	375-376
HYDRAULIC BREAKER HOSES	377-378
HYDRAULIC BREAKER MOUNTNG FRAME	379-380
HYDRAULIC BREAKER (MODEL 6560)	381-384
KEYLESS IGNITION KIT	385-386
LONG ARM KIT	387-388
MOTION ALARM KIT	389-390
POWERTILT	391-394
PURIFIER	395-396
RIPPER	397-398
SPECIAL APPLICATIONS CANOPY KIT	399-400
SPECIAL APPLICATIONS CAB	401-402
STEEL TRACK KIT	403-404
TOP GUARD KIT	405-406

337/341 D-SERIES CONTENTS (Cont'd)

ACCESSORIES (CONT'D)	281-426
VINYL CAB ENCLOSURE KIT	407-408
X-CHANGE [™] BREAKER MOUNTING KIT	409-410
X-CHANGE [™] KIT (BOLT ON)	411-412
X-CHANGE [™] CONVERSION KIT - BREAKER	413-414
X-CHANGE [™] KIT	415-416
X-CHANGE [™] MOUNT	417-418
X-CHANGE [™] MOUNTED ONLY	419-420
X-CHANGE [™] - HYDRAULIC BREAKER	421-422
WIDE LINK KIT	423-424
BULK ITEMS	425-426
NUMERICAL INDEX	427-483
NUMERICAL INDEX	427-483

UPPERSTRUCTURE



PE-1089

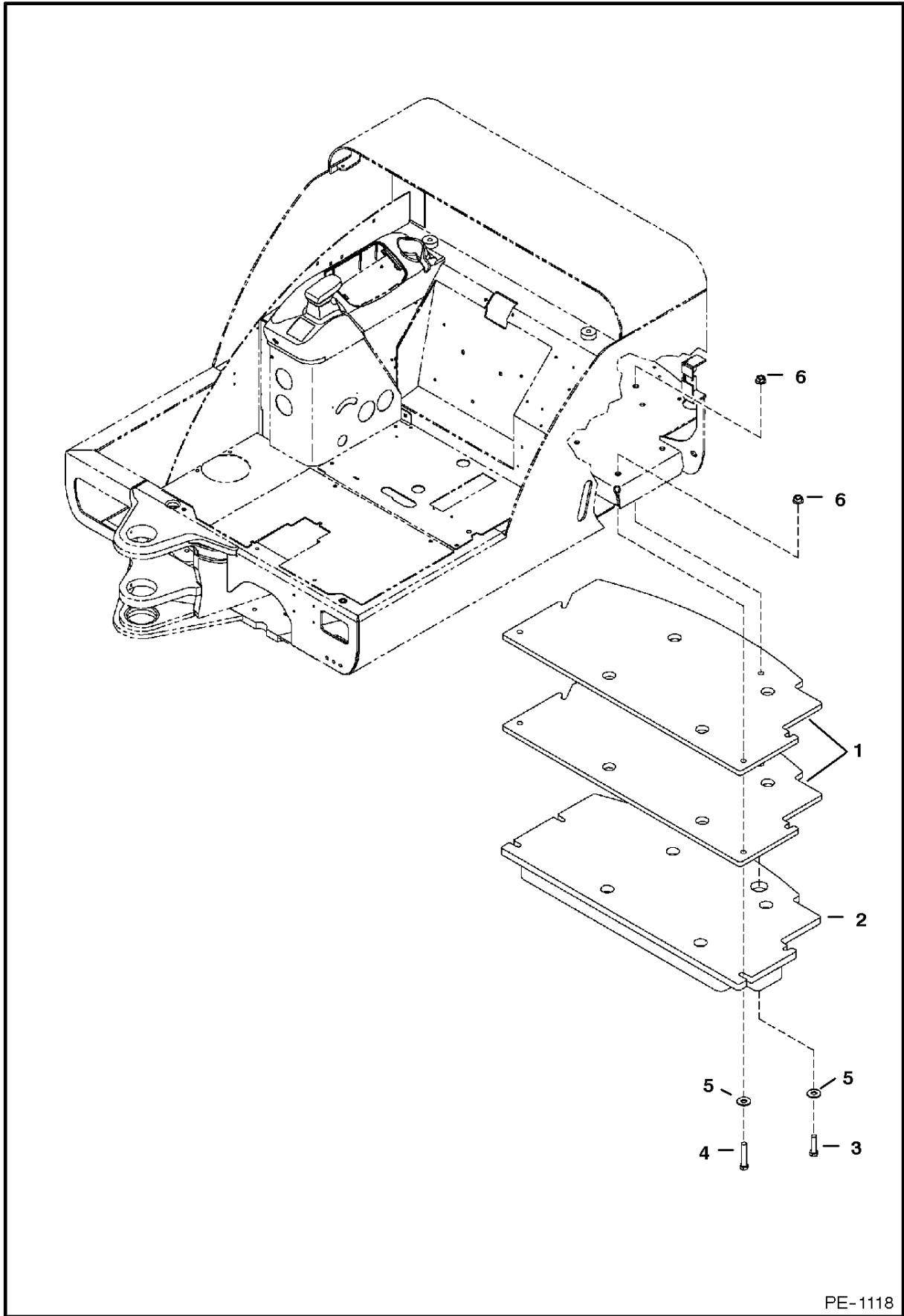
UPPERSTRUCTURE

Ref.N°	Part N°	Description	Remarks	Serial N°	Qty.
1	6534111	SHIM			1
2	6534154	SNAP RING			1
3	6599613	GROMMET		233311549 & Bel.	1
4	6628101	BUSHING			1
5	6628102	BUSHING			2
6	6628460	PLATE			1
7	6652943	COVER, GREASE	grease		2
8	6655399	BUMPER			1
9	6675687	LATCH		233311549 & Bel.	1
10	6676341	STRIKER			1
11	NAP	'UPPERSTRUCTUR E	Order 6810130 & Refs. UPPERSTRUCTURE(36), UPPERSTRUCTURE(37), UPPERSTRUCTURE(38), UPPERSTRUCTURE(39), (2) UPPERSTRUCTURE(40) , U	233311379 & Bel.	1
11	NAP	'UPPERSTRUCTUR E	order 6810130, Ref. UPPERSTRUCTURE(48)-UPPER STRUCTURE(55) & all parts on page TAILGATE(2) - "Was 6806135 [A]	23331138011549	1
11	6810130	UPPERSTRUCTUR E(233311550 & Abv.(233211443 & Abv.01com37+)H~10 {M		233311550 & Abv.	1
12	6806737	PIN			1
13	6806873	COVER			1
14	NAP	MOUNT	latch - order 6810655 & Ref. UPPERSTRUCTURE(45), UPPERSTRUCTURE(46) & UPPERSTRUCTURE(47)- Was 6807180 [A]	233311478 & Bel.	1
14	6810655	MOUNT	latch	233311479 & Abv.	1
15	6807363	ROD		233311549 & Bel.	1
16	6810250	INSULATION			1
17	6807894	INSULATION			1
18	6810249	INSULATION	Was 6807899 [A]		1
19	6807904	INSULATION			1
20	6808051	LOUVER			1
21	6808365	BUMPER			1
22	10H-25	GREASE ZERK			2
23	1CM-630	SCREW		233311549 & Bel.	1
24	20JM-1025	PIN			2
25	26GM-10020	SCREW			6
26	26GM-10030	SCREW			2
27	27E-6	WASHER			2
28	29CM-1025	SCREW			1
29	29CM-1050	SCREW			1
30	51DM-10	NUT			1
31	61D-5	NUT			2
32	61D-7	NUT			1
33	7CM-1470	SCREW			24
34	7D-4	NUT		233311549 & Bel.	1
35	85D-4	NUT		233311549 & Bel.	1
36	6810122	RETAINER	grommet		1
37	6810143	GROMMET			1
38	6810171	GROMMET			1
39	6810172	GROMMET			1
40	26GM-8020	SCREW			2
41	6810133	GROMMET			4
42	6810578	LOUVER			1
43	6676026	NUT	clip		4
44	6809030	SCREW			4

UPPERSTRUCTURE

Ref.N°	Part N°	Description	Remarks	Serial N°	Qty.
45	17C-640	BOLT		233311479 & Abv.	1
46	55D-6	NUT		233311479 & Abv.	1
47	6719550	TUBE		233311479 & Abv.	1
48	6810802	STRIKER	bar	233311550 & Abv.	1
49	6678025	LOCK	assy	233311550 & Abv.	1
49	6709527	KEY		233311550 & Abv.	1
50	6809727	CHANNEL		233311550 & Abv.	1
51	38C-840	BOLT		233311550 & Abv.	1
52	6809726	ROLLER		233311550 & Abv.	2
53	17C-820	BOLT		233311550 & Abv.	2
54	6809734	BUSHING		233311550 & Abv.	2
55	59D-6	NUT		233311550 & Abv.	1

COUNTERWEIGHT

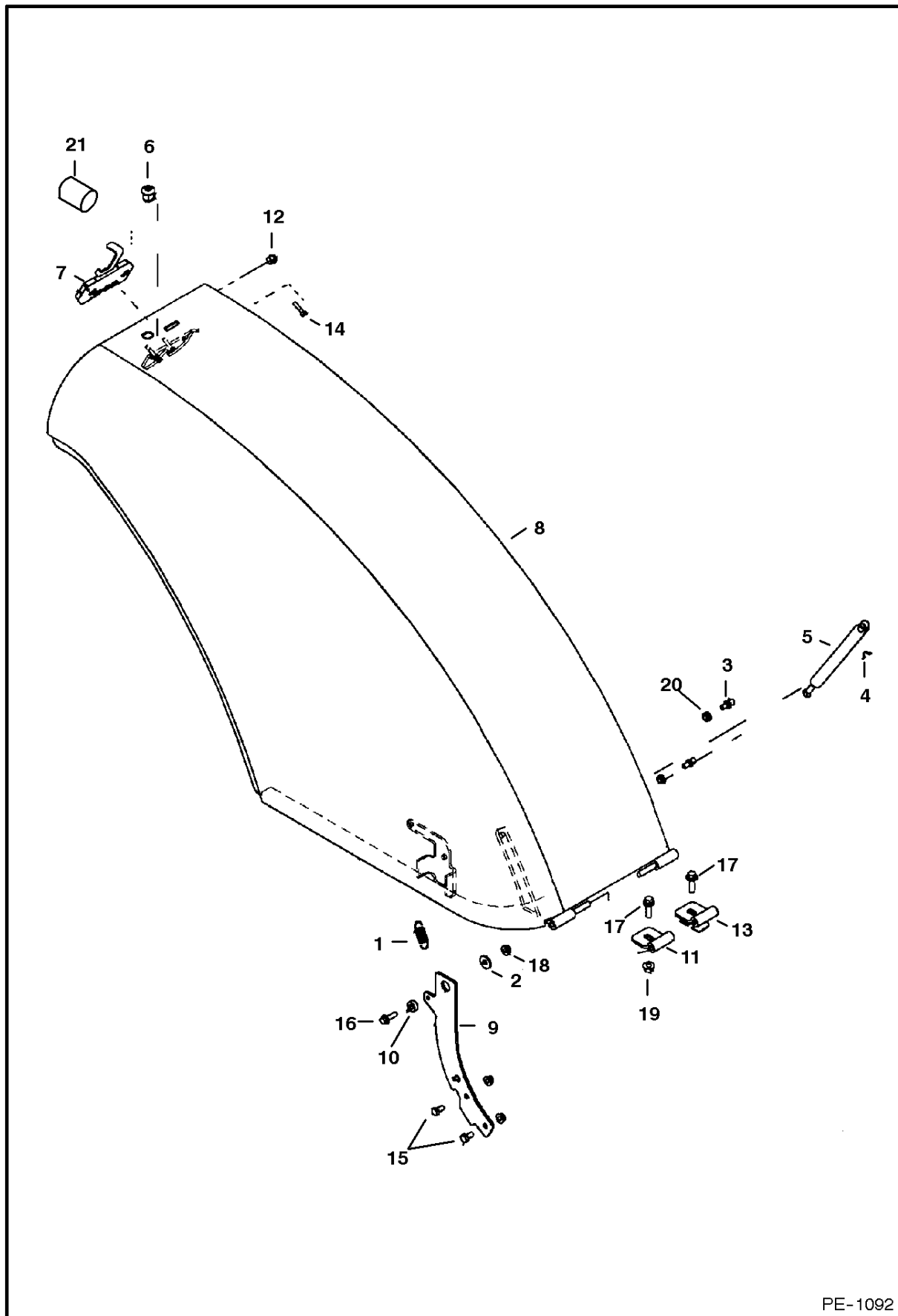


PE-1118

COUNTERWEIGHT

Ref.N°	Part N°	Description	Remarks	Serial N°	Qty.
1	NAP	COUNTERWEIGHT	337D/341D - Order 6808509 & 6810118 - Was 6807011 [A]	& Below	2
1	6810118	COUNTERWEIGHT	337D/341D	& Above	1
1	6808509	COUNTERWEIGHT	337D/341D	& Above	1
2	6810120	COUNTERWEIGHT	341D & 337D W/Long arm - Was 6807210 [A]		1
3	1CM-1665	BOLT	337D		5
3	1CM-1665	BOLT	341D & 337D W/Long arm		1
4	1CM-1690	BOLT	341D & 337D W/Long arm		4
5	25E-26	WASHER			5
6	51DM-16	NUT			5

R.H. COVER

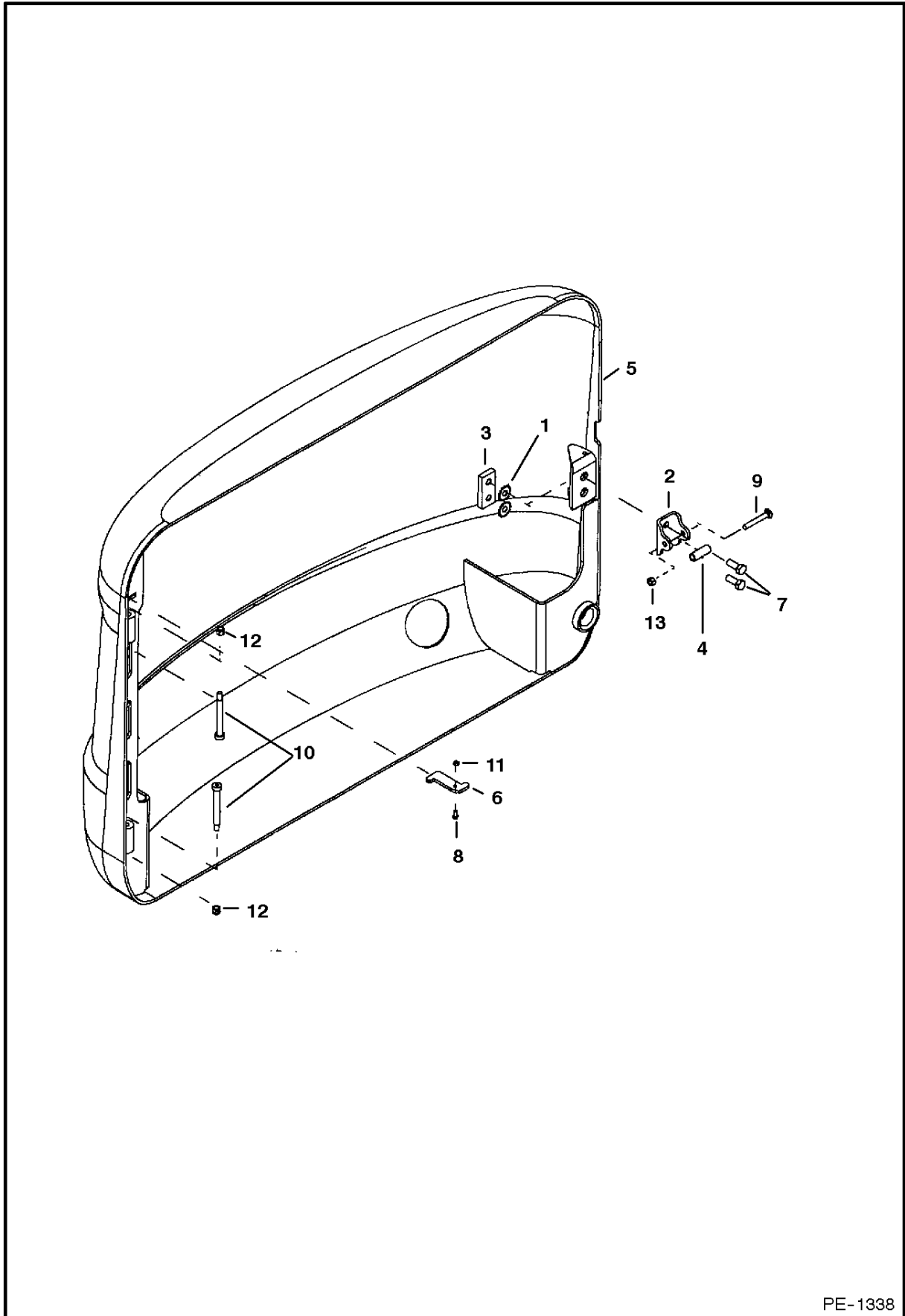


PE-1092

R.H. COVER

Ref.N°	Part N°	Description	Remarks	Serial N°	Qty.
1	6563128	SPRING			1
2	6563914	WASHER			1
3	6649244	BALL STUD			2
4	6649245	CLIP			2
5	6667199	GAS SPRING			1
6	6675723	LOCK			1
7	6676342	LATCH			1
8	6807012	COVER			1
9	6808408	BRACKET			1
10	6808409	SPACER			1
11	6808802	HINGE			2
12	6808841	BUMPER			1
13	6809262	SHIM	hinge		1
14	1CM-625	BOLT			4
15	1CM-816	BOLT			2
16	29CM-825	SCREW			1
17	29CM-1030	SCREW			2
18	43DM-8	NUT			3
19	43DM-10	NUT			1
20	55D-5	NUT			2
21	6677500	COVER	lever		1

TAILGATE
(S/N 2333 11549 & Below and 2332 11442 & Below)

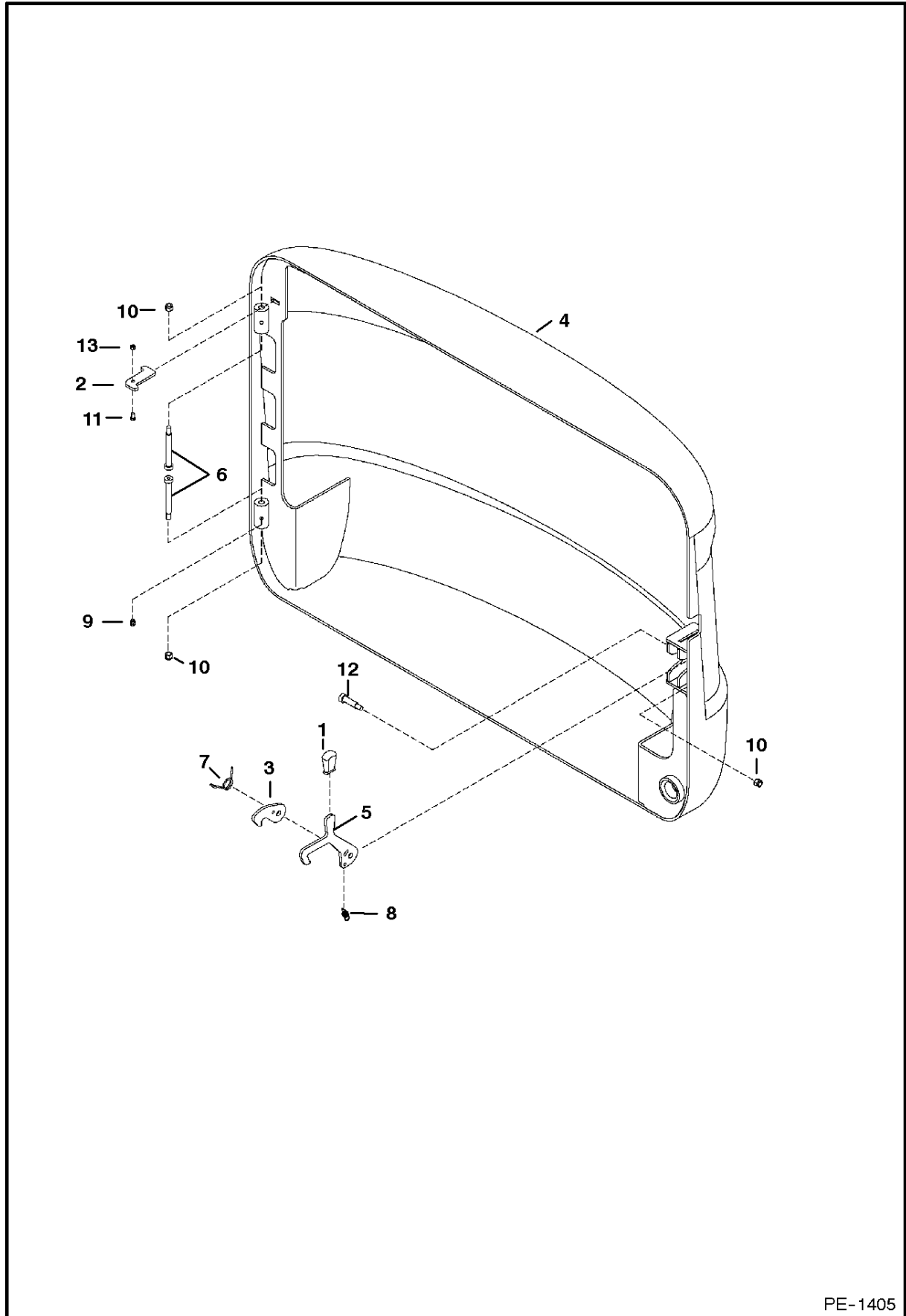


PE-1338

TAILGATE

Ref.N°	Part N°	Description	Remarks	Serial N°	Qty.
1	6675273	WASHER			2
2	6719524	STRIKER			1
3	6719525	BAR			1
4	6719550	TUBE			1
5	6806952	TAILGATE			1
6	6808706	STOP			1
7	17C-820	BOLT			2
8	1CM-612	SCREW			1
9	37C-644	BOLT			1
10	6809845	SCREW	Was 38C-856 [A]		2
11	4DM-6	NUT			1
12	59D-6	NUT			2
13	95D-6	NUT	Was 85D-6 [D]		1

TAILGATE
(S/N 2333 11550 & Above and 2332 11443 & Above)

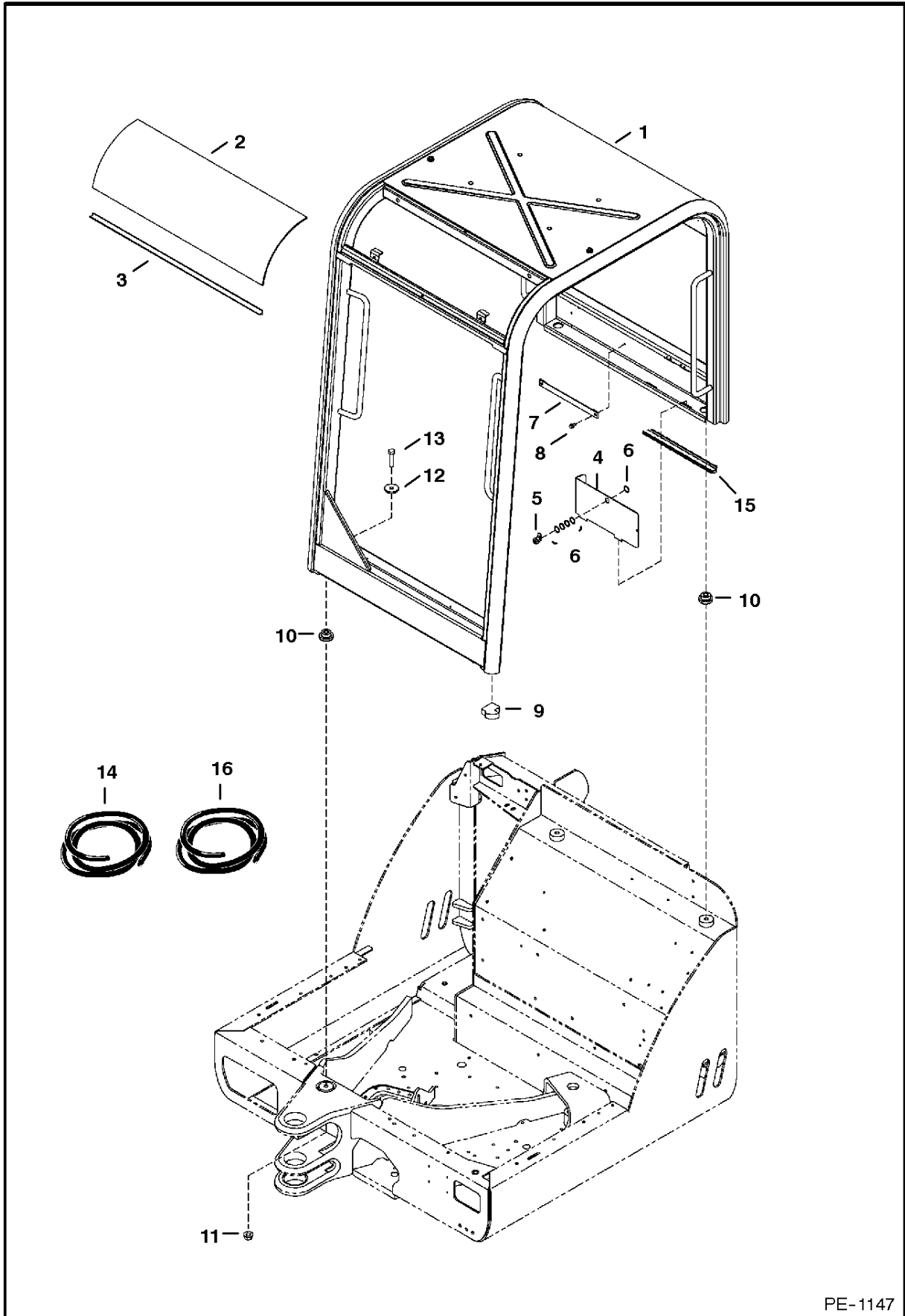


PE-1405

TAILGATE

Ref.N°	Part N°	Description	Remarks	Serial N°	Qty.
1	6564452	GRIP	lever		1
2	6808706	STOP			1
3	6811376	LATCH	order 6811910 & 6811909	2333 11699 & Bel.	1
3	6811910	LATCH		2333 11700 & Abv.	1
4	6809822	TAILGATE			1
5	6809830	HANDLE		& Below	1
5	6811909	HANDLE		& Below	1
6	6809845	SCREW			2
7	6810132	SPRING			1
8	6810141	SPRING			1
9	10H-25	GREASE ZERK			2
10	59D-6	NUT			3
11	1CM-612	SCREW			1
12	38C-824	SCREW			1
13	4DM-6	NUT			1
14	59D-6	NUT			3

OPERATOR CANOPY

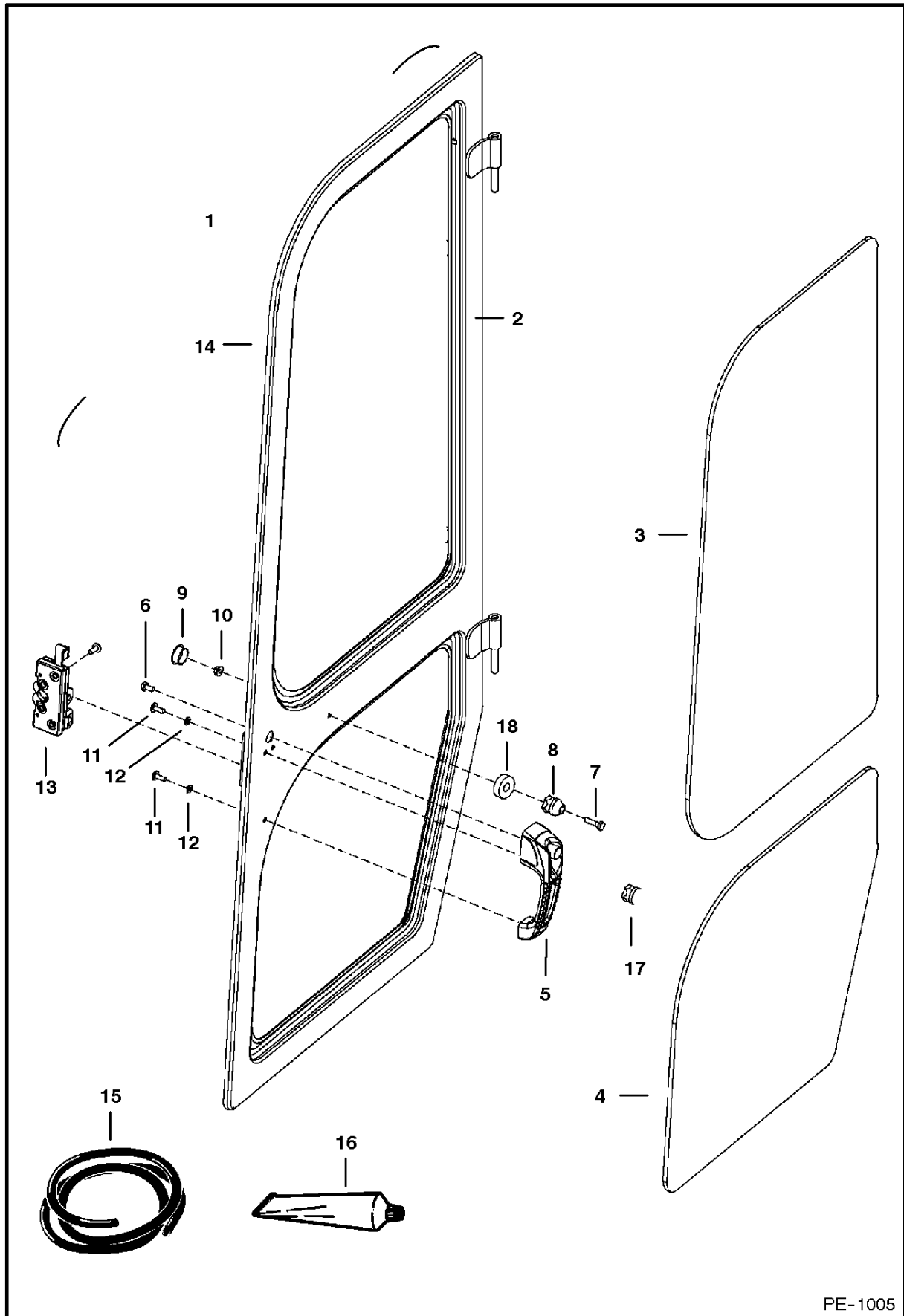


PE-1147

OPERATOR

Ref.N°	Part N°	Description	Remarks	Serial N°	Qty.
1	6810595	CANOPY	Was 6805906 [A]		1
2	6805903	WINDOW			1
3	NAP	SEAL	use 36" of Ref. OPERATOR (14)		1
4	6589656	PANEL			1
5	6675723	LOCK	assy. - W/O Key		1
5	6709527	KEY			1
6	6536802	WASHER			5
7	6589347	STRAP	elastic		1
8	26GM-8016	SCREW			2
9	6807987	INSULATION			4
10	6804026	MOUNT			4
11	43DM-14	NUT			4
12	6805244	WASHER			8
13	10CM-1455	SCREW	Was 10CM-1460 [A]		4
14	6670537	SEAL	bulk - sold per foot		x
15	NAP	INSULATION	use 4" of Ref. OPERATOR (16)		1
16	6648416	SEAL	bulk - sold per foot		x

OPERATOR CAB (Door)

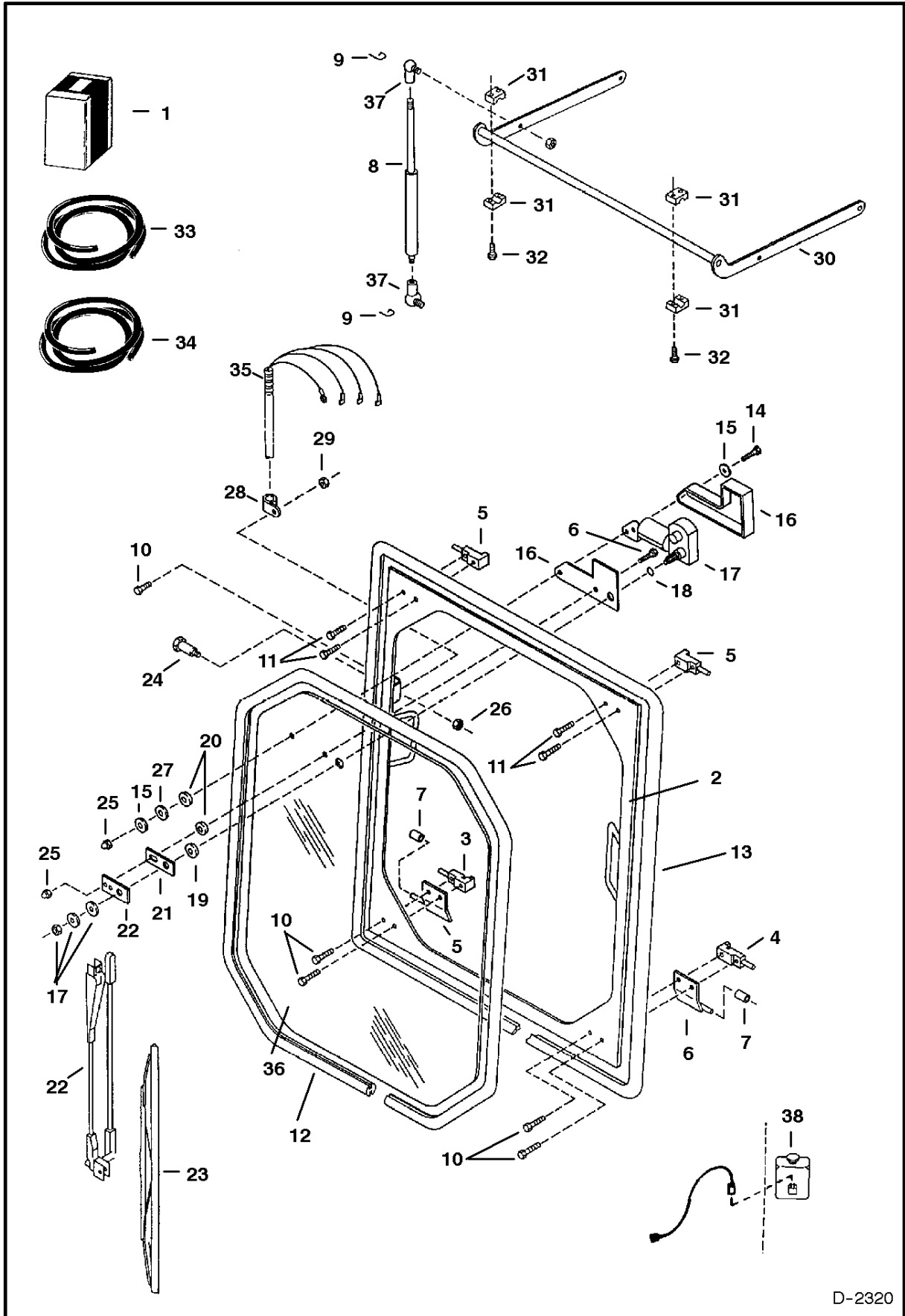


PE-1005

OPERATOR CAB

Ref.N°	Part N°	Description	Remarks	Serial N°	Qty.
1	6807782	DOOR ASSY	assy - Ref. OPERATOR CAB(2) - OPERATOR CAB(14) - Was 6805226 [D]		1
2	6805469	DOOR			1
3	6805470	GLASS	Upper		1
4	6805471	GLASS	Lower		1
5	6674667	HANDLE	Was 6675282 [D]		1
5	6709527	KEY			1
6	17C-408	BOLT			1
7	17C-416	BOLT			1
8	6675385	PLUG	hold open		1
9	6648391	PLUG	hole		1
10	55D-4	NUT			1
11	6803202	SCREW			5
12	6EM-60	WASHER			2
13	6674666	LATCH			1
14	NAP	SEAL	door - Order Ref. OPERATOR CAB(15) - 158" (4013,2 mm) long		1
15	6675410	SEAL	bulk		x
16	6675462	URETHANE	10.5 oz. tube, black		x
17	6675386	SOCKET	hold open		1
18	6808446	SPACER			1

OPERATOR CAB (Front Window)



D-2320



Download the full PDF manual instantly.

Our customer service e-mail:

aservicemanualpdf@yahoo.com