

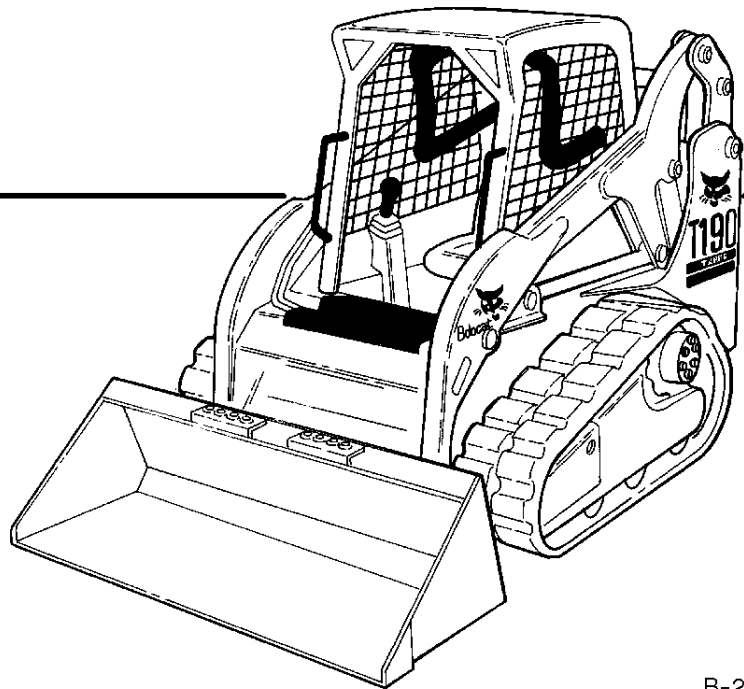


**Bobcat®**

# Parts Manual

**S/N 5277 11001 & Above**

**S/N 5278 11001 & Above**



B-22862

EQUIPPED WITH  
BOBCAT INTERLOCK  
CONTROL SYSTEM (BICS™)

6902913 (2-04)

**IR Bobcat®**  
Printed in U.S.A.

© Bobcat Company 2004

## T190 CONTENTS

<b>MAIN FRAME</b> .....	<b>11-42</b>
MAINTENANCE ITEMS .....	11-12
MAINTENANCE SCHEDULE ITEMS .....	13-20
MAIN FRAME .....	21-22
OPERATOR CAB .....	23-26
SEAT & SEAT BAR .....	27-28
SEAT .....	29-30
PANELS .....	31-32
REAR DOOR .....	33-34
LIFT ARMS & BOBTACH .....	35-36
BOB-TACH .....	37-38
FUEL SYSTEM .....	39-42
<b>DRIVE TRAIN</b> .....	<b>43-52</b>
DRIVE TRAIN .....	43-44
TRACK TENSIONER .....	45-46
FRONT IDLER .....	47-48
REAR IDLER .....	49-50
TRACK ROLLER .....	51-52
<b>HYDRAULIC SYSTEM</b> .....	<b>53-82</b>
HYDRAULIC CIRCUITRY .....	53-60
MANUAL LIFT RELEASE SYSTEM .....	61-62
AUXILIARY HYDRAULICS .....	63-64
TILT CYLINDER .....	65-66
LIFT CYLINDER .....	67-68
CONTROL PEDALS .....	69-70
HYDRAULIC CONTROL VALVE .....	71-78
BICS CONTROL VALVE .....	79-80
MANUAL LIFT RELEASE VALVE .....	81-82
<b>HIGH FLOW HYDRAULICS</b> .....	<b>83-88</b>
HIGH FLOW HYDRAULICS .....	83-88
<b>HYDROSTATIC SYSTEM</b> .....	<b>89-122</b>
HYDROSTATIC CIRCUITRY .....	89-96
HAND CONTROLS .....	97-100
HYDROSTATIC MOTOR .....	101-108
HYDROSTATIC PUMP .....	109-116
GEAR PUMP .....	117-118
HYDROSTATIC OIL FILTER .....	119-122
<b>ELECTRICAL SYSTEM</b> .....	<b>123-142</b>
CAB ELECTRICAL CIRCUITRY .....	123-124
ENGINE ELECTRICAL CIRCUITRY .....	125-128
CONTROLS ELECTRICAL .....	129-138
ALTERNATOR .....	139-140
STARTER .....	141-142
<b>POWER UNIT</b> .....	<b>143-208</b>
COOLING SYSTEM .....	143-146
ENGINE & ATTACHING PARTS .....	147-154
THROTTLE .....	155-156
COOLING FAN DRIVE ASSY. ....	157-158
ENGINE & GASKET KITS .....	159-160
GEARCASE .....	161-162
OIL COOLER .....	163-164
CRANKCASE .....	165-166
ROCKER ARM COVER .....	167-168
VALVE ROCKER ARM .....	169-170

## T190 CONTENTS (Cont'd)

<b>POWER UNIT (Cont'd)</b> .....	<b>143-208</b>
CYLINDER HEAD .....	171-172
OIL PAN .....	173-174
PISTON & CRANKSHAFT .....	175-176
FUEL CAMSHAFT .....	177-178
CAMSHAFT .....	179-180
WATER PUMP .....	181-182
WATER FLANGE & THERMOSTAT .....	183-184
MANIFOLDS .....	185-186
TURBO CHARGER .....	187-188
OIL PIPE .....	189-190
ENGINE STOP LEVER .....	191-192
GOVERNOR .....	193-194
SPEED CONTROL PLATE .....	195-196
BOOST COMPENSATOR .....	197-198
INJECTION PUMP .....	199-202
INJECTOR NOZZLES .....	203-204
INJECTOR HOLDER .....	205-206
AIR CLEANER .....	207-208
<b>ACCESSORIES &amp; OPTIONS</b> .....	<b>212-353</b>
ACS CONVERSION KIT .....	212-213
ACCESSORIES HARNESS .....	214-215
BACK-UP ALARM .....	216-217
BEACON .....	218-219
BLOCK HEATER .....	220-221
BOB-TACH LEVERS .....	222-223
BUCKET POSITIONING VALVE KIT .....	224-227
CAB DOOR .....	228-237
CAB ENCLOSURE .....	238-241
CAB WINDOWS .....	242-245
DECALS .....	246-249
DELUXE CAB .....	250-251
DUAL BATTERY KIT .....	252-253
DUAL DAMPENER KIT .....	254-255
ELECTRICAL CONNECTOR KIT .....	256-257
ELECTRICAL CONTROLS KIT .....	258-263
ENGINE MOUNT KIT .....	264-265
EUROPEAN ACCESSORIES .....	266-271
FIRE EXTINGUISHER .....	272-273
F.O.P.S. KIT .....	274-275
FLASHER LIGHTS .....	276-277
FRONT AUXILIARY .....	278-279
GAS SPRING KIT .....	280-281
HAND CONTROL KIT .....	282-285
HEATER & A/C .....	286-309
HORN KIT .....	310-311
LIFT LIT .....	312-315
LIGHT KIT .....	316-317
MUFFLER/PURIFIER KIT .....	318-319
POWER BOB-TACH KIT .....	320-321
POWER BOB-TACH .....	322-325
RADIATOR SCREEN KIT .....	326-327
REAR AUXILIARY .....	328-331
REAR AUXILIARY VALVE .....	332-333
REAR DOOR LOCK .....	334-335

**T190 CONTENTS (Cont'd)**

**ACCESSORIES & OPTIONS (Cont'd) ..... 212-353**  
REAR WIPER ..... 336-337  
SEAL ENCLOSURE KIT ..... 338-339  
SEAT ..... 340-343  
SEAT BELT ..... 344-347  
SOUND REDUCTION HARDHAT ..... 348-349  
STROBE LIGHT ..... 350-351  
BULK ITEMS ..... 352-353  
**NUMERICAL INDEX ..... 354-399**  
NUMERICAL INDEX ..... 354-399

## T190 CONTENTS

<b>MAIN FRAME .....</b>	<b>11-42</b>
MAINTENANCE ITEMS .....	11-12
MAINTENANCE SCHEDULE ITEMS .....	13-20
MAIN FRAME .....	21-22
OPERATOR CAB .....	23-26
SEAT & SEAT BAR .....	27-28
SEAT .....	29-30
PANELS .....	31-32
REAR DOOR .....	33-34
LIFT ARMS & BOBTACH .....	35-36
BOB-TACH .....	37-38
FUEL SYSTEM .....	39-42
<b>DRIVE TRAIN .....</b>	<b>43-52</b>
DRIVE TRAIN .....	43-44
TRACK TENSIONER .....	45-46
FRONT IDLER .....	47-48
REAR IDLER .....	49-50
TRACK ROLLER .....	51-52
<b>HYDRAULIC SYSTEM .....</b>	<b>53-82</b>
HYDRAULIC CIRCUITRY .....	53-60
MANUAL LIFT RELEASE SYSTEM .....	61-62
AUXILIARY HYDRAULICS .....	63-64
TILT CYLINDER .....	65-66
LIFT CYLINDER .....	67-68
CONTROL PEDALS .....	69-70
HYDRAULIC CONTROL VALVE .....	71-78
BICS CONTROL VALVE .....	79-80
MANUAL LIFT RELEASE VALVE .....	81-82
<b>HIGH FLOW HYDRAULICS .....</b>	<b>83-88</b>
HIGH FLOW HYDRAULICS .....	83-88
<b>HYDROSTATIC SYSTEM .....</b>	<b>89-122</b>
HYDROSTATIC CIRCUITRY .....	89-96
HAND CONTROLS .....	97-100
HYDROSTATIC MOTOR .....	101-108
HYDROSTATIC PUMP .....	109-116
GEAR PUMP .....	117-118
HYDROSTATIC OIL FILTER .....	119-122
<b>ELECTRICAL SYSTEM .....</b>	<b>123-142</b>
CAB ELECTRICAL CIRCUITRY .....	123-124
ENGINE ELECTRICAL CIRCUITRY .....	125-128
CONTROLS ELECTRICAL .....	129-138
ALTERNATOR .....	139-140
STARTER .....	141-142
<b>POWER UNIT .....</b>	<b>143-208</b>
COOLING SYSTEM .....	143-146
ENGINE & ATTACHING PARTS .....	147-154
THROTTLE .....	155-156
COOLING FAN DRIVE ASSY. ....	157-158
ENGINE & GASKET KITS .....	159-160
GEARCASE .....	161-162
OIL COOLER .....	163-164
CRANKCASE .....	165-166
ROCKER ARM COVER .....	167-168
VALVE ROCKER ARM .....	169-170

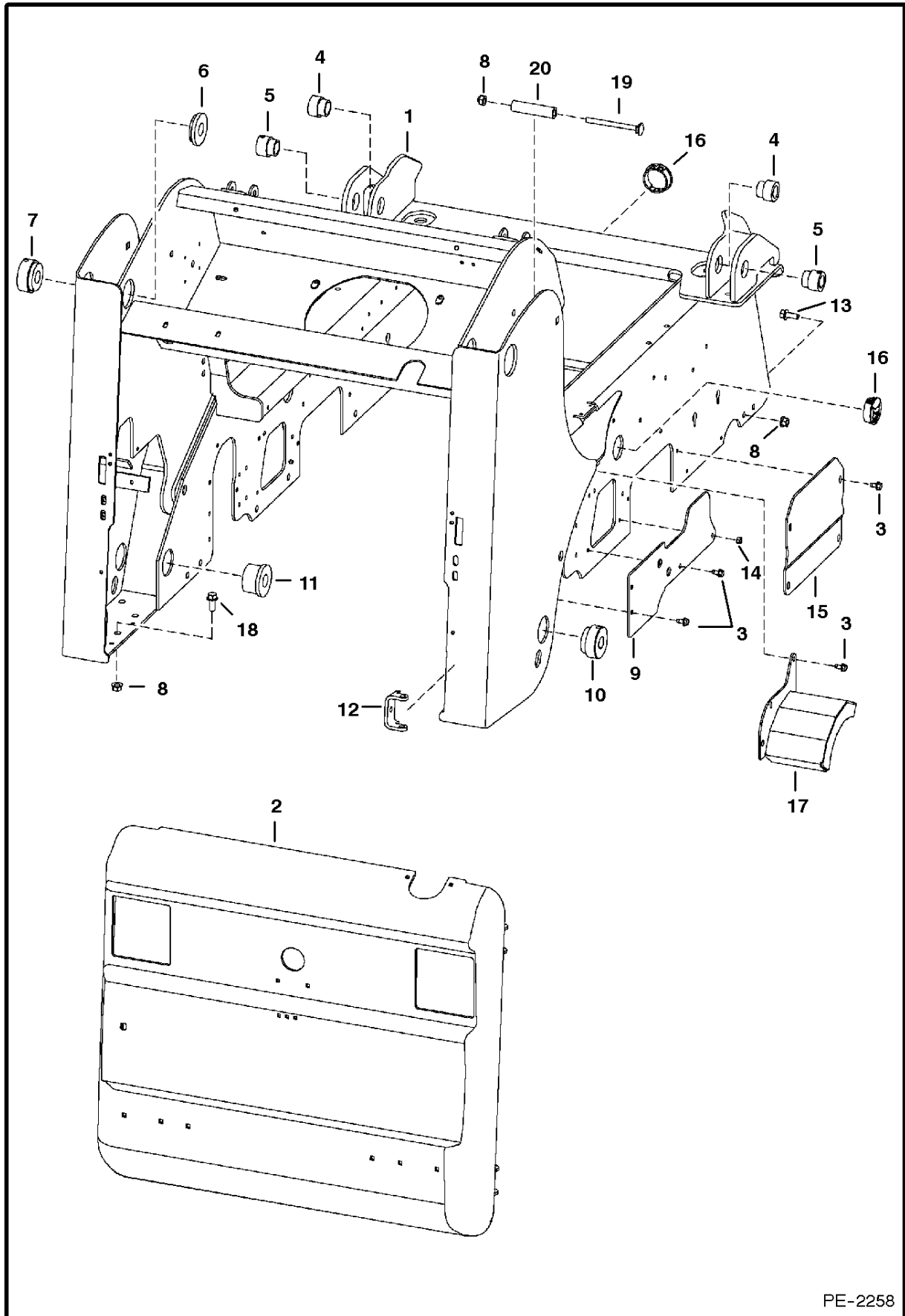
## T190 CONTENTS (Cont'd)

<b>POWER UNIT (Cont'd)</b> .....	<b>143-208</b>
CYLINDER HEAD .....	171-172
OIL PAN .....	173-174
PISTON & CRANKSHAFT .....	175-176
FUEL CAMSHAFT .....	177-178
CAMSHAFT .....	179-180
WATER PUMP .....	181-182
WATER FLANGE & THERMOSTAT .....	183-184
MANIFOLDS .....	185-186
TURBO CHARGER .....	187-188
OIL PIPE .....	189-190
ENGINE STOP LEVER .....	191-192
GOVERNOR .....	193-194
SPEED CONTROL PLATE .....	195-196
BOOST COMPENSATOR .....	197-198
INJECTION PUMP .....	199-202
INJECTOR NOZZLES .....	203-204
INJECTOR HOLDER .....	205-206
AIR CLEANER .....	207-208
<b>ACCESSORIES &amp; OPTIONS</b> .....	<b>212-353</b>
ACS CONVERSION KIT .....	212-213
ACCESSORIES HARNESS .....	214-215
BACK-UP ALARM .....	216-217
BEACON .....	218-219
BLOCK HEATER .....	220-221
BOB-TACH LEVERS .....	222-223
BUCKET POSITIONING VALVE KIT .....	224-227
CAB DOOR .....	228-237
CAB ENCLOSURE .....	238-241
CAB WINDOWS .....	242-245
DECALS .....	246-249
DELUXE CAB .....	250-251
DUAL BATTERY KIT .....	252-253
DUAL DAMPENER KIT .....	254-255
ELECTRICAL CONNECTOR KIT .....	256-257
ELECTRICAL CONTROLS KIT .....	258-263
ENGINE MOUNT KIT .....	264-265
EUROPEAN ACCESSORIES .....	266-271
FIRE EXTINGUISHER .....	272-273
F.O.P.S. KIT .....	274-275
FLASHER LIGHTS .....	276-277
FRONT AUXILIARY .....	278-279
GAS SPRING KIT .....	280-281
HAND CONTROL KIT .....	282-285
HEATER & A/C .....	286-309
HORN KIT .....	310-311
LIFT LIT .....	312-315
LIGHT KIT .....	316-317
MUFFLER/PURIFIER KIT .....	318-319
POWER BOB-TACH KIT .....	320-321
POWER BOB-TACH .....	322-325
RADIATOR SCREEN KIT .....	326-327
REAR AUXILIARY .....	328-331
REAR AUXILIARY VALVE .....	332-333
REAR DOOR LOCK .....	334-335

## T190 CONTENTS (Cont'd)

<b>ACCESSORIES &amp; OPTIONS (Cont'd)</b> .....	<b>212-353</b>
REAR WIPER .....	336-337
SEAL ENCLOSURE KIT .....	338-339
SEAT .....	340-343
SEAT BELT .....	344-347
SOUND REDUCTION HARDHAT .....	348-349
STROBE LIGHT .....	350-351
BULK ITEMS .....	352-353
<b>NUMERICAL INDEX</b> .....	<b>354-399</b>
NUMERICAL INDEX .....	354-399

# MAIN FRAME



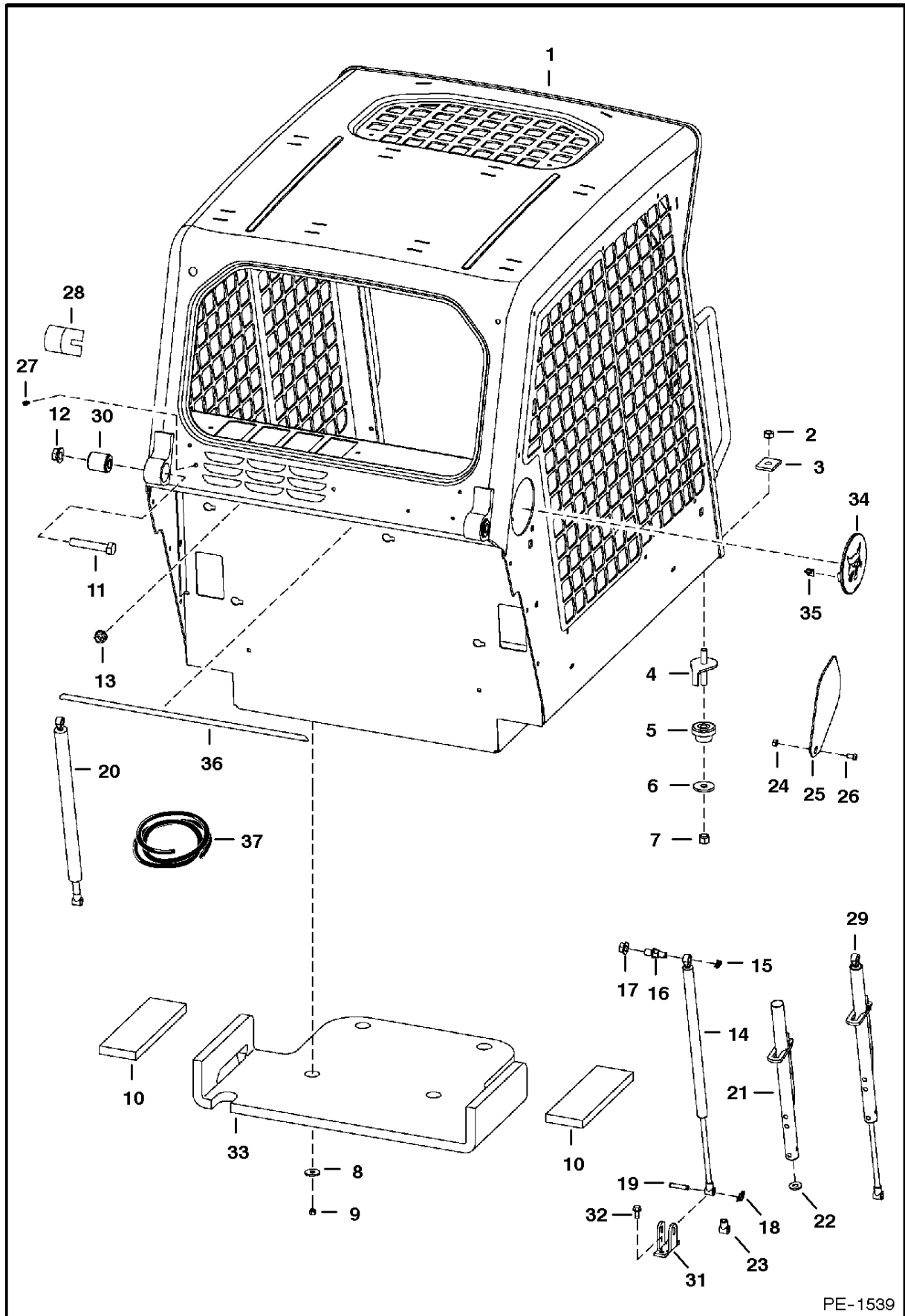
PE-2258



## MAIN FRAME

Ref.N°	Part N°	Description	Remarks	Serial N°	Qty.
1	6733002	MAIN FRAME			1
2		REAR DOOR	See Page REAR DOOR(1)		1
3	84G-3712	BOLT			21
4	6717278	BUSHING	weld on		2
5	6717277	BUSHING	weld on		2
6	6717356	BUSHING	weld on		2
7	6731578	BUSHING	weld on		2
8	83D-8	NUT			28
9	6726063	SHIELD	lever		2
10	6731578	BUSHING	weld on		2
11	6717358	BUSHING	weld on		2
12	6708987	BRACKET	hinge - weld on		2
13	31C-820	BOLT			16
14	61D-6	NUT			2
15	6719201	COVER			2
16	6718796	PLUG			2
17	6726064	SHIELD	R.H.		1
17	6726065	SHIELD	L.H.		1
18	31C-828	BOLT			10
19	37C-888	BOLT			2
20	6732225	SPACER	tube		2

# OPERATOR CAB

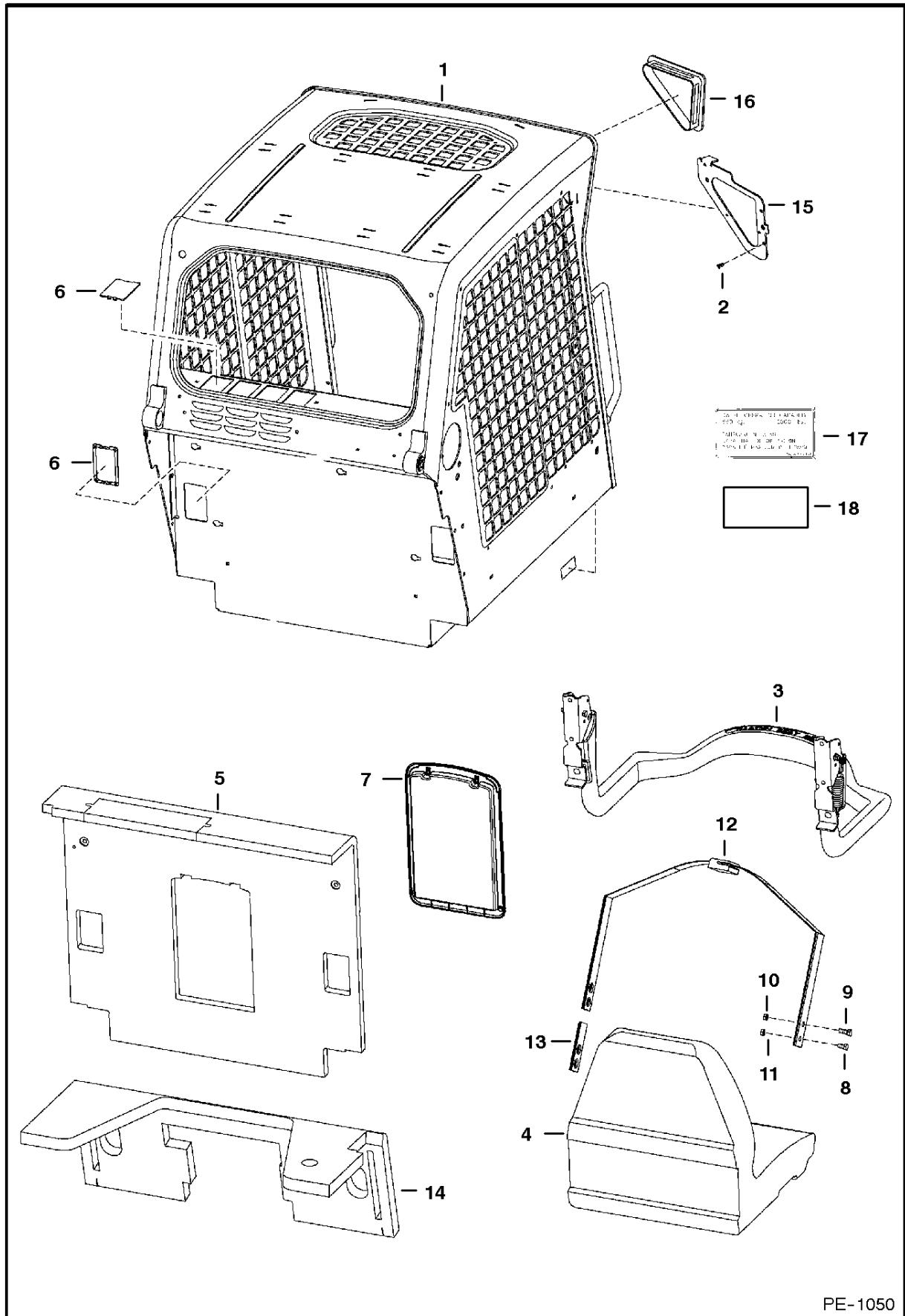


PE-1539

## OPERATOR CAB

Ref.N°	Part N°	Description	Remarks	Serial N°	Qty.
1	6719672	OPERATOR CAB	includes cab decals		1
2	59D-8	NUT			2
3	6553709	WASHER	rectangular		2
4	6702971	BOLT			2
5	6560633	MOUNT			2
6	6515817	WASHER			2
7	85D-8	NUT			2
8	619021	WASHER			4
9	59D-5	NUT			4
10	6729012	INSULATION	seat pan		2
11	17C-1056	BOLT			2
12	53D-10	NUT			2
13	53D-6	NUT			4
14	6675135	GAS SPRING	R.H.		1
15	6675140	SNAP RING			2
16	6719064	MOUNT			2
17	97D-8	NUT			2
18	6631418	PIN	ring		2
19	6567743	PIN			2
20	6675134	GAS SPRING	L.H.		1
20	6675136	GAS SPRING	L.H. - heavy duty		1
21	6708189	TUBE	stop - R.H.		1
22	6701174	WASHER			1
23	6675257	ROD END			1
24	95D-5	NUT			2
25	6718784	COVER			2
26	25G-512	BOLT			2
27	6675033	INSERT			2
28	6579613	STOP			2
29	NAP	GAS SPRING	R.H. - W/latch - Order Ref. OPERATOR CAB(14) & OPERATOR CAB(21)-OPERATOR CAB(23)		1
30	6562602	BUSHING			2
31	6706349	MOUNT	gas spring		2
32	84G-3112	BOLT			4
33	6729013	INSULATION	seat pan		1
34	6733107	PLUG	W/ Ref. OPERATOR CAB(35) (3)		2
35	6679990	CLIP			6
36	NAP	SEAL	31'(787,4 mm) long - Order Ref. OPERATOR CAB(37)		1
37	6679994	SEAL	bulk - Sold Per Foot		x

# OPERATOR CAB

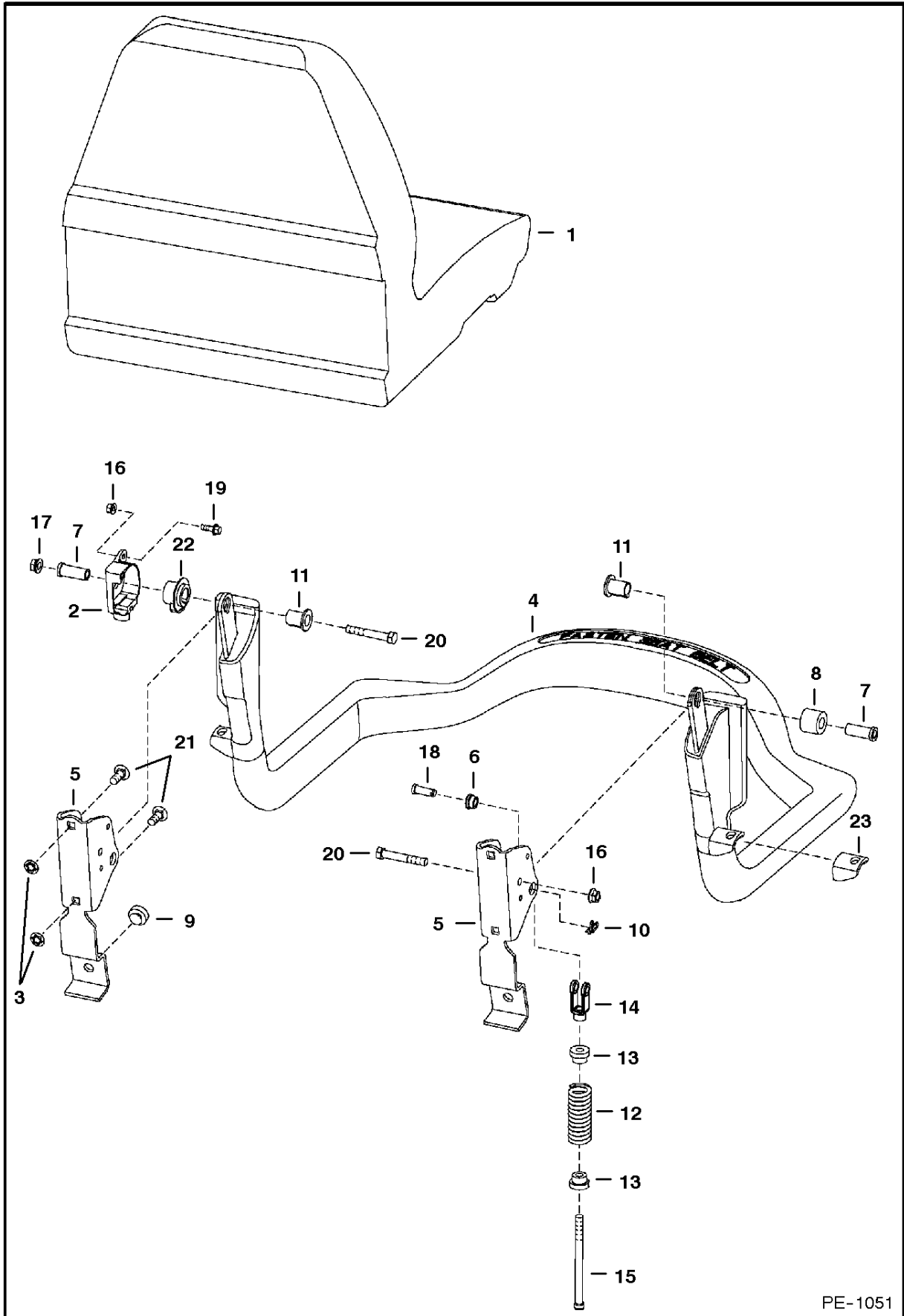


PE-1050

## OPERATOR CAB

Ref.N°	Part N°	Description	Remarks	Serial N°	Qty.
1	6719672	OPERATOR CAB	includes cab decals		1
2	6675033	INSERT	See Page CAB ELECTRICAL CIRCUITRY(1)		6
3	6715860	SEAT BAR	See Page SEAT & SEAT BAR(1)		1
4	6669135	SEAT	See Page SEAT(1)		1
5	6719504	INSULATION	W/Ref. OPERATOR CAB(7)		1
6	6718101	COVER			6
7	6719503	CONTAINER	manuals		1
7	6675524	CLIP			2
7	6725301	COVER			1
7	6725303	FRAME			1
8	17C-612	BOLT			2
9	17C-716	BOLT			2
10	85D-7	NUT			2
11	85D-6	NUT			2
12	6675074	SEAT BELT	W/O spring plates		1
13	6725373	SPRING PLATE	(		2
14	6718489	INSULATION	steering panel		1
15	NSS	PLATE	R.H. - weld on		1
15	NSS	PLATE	L.H. - weld on		1
16	6674403	COVER	no lights		2
17	6710449	DECAL	load		1
18	6804790	DECAL	capacity		1

# SEAT & SEAT BAR

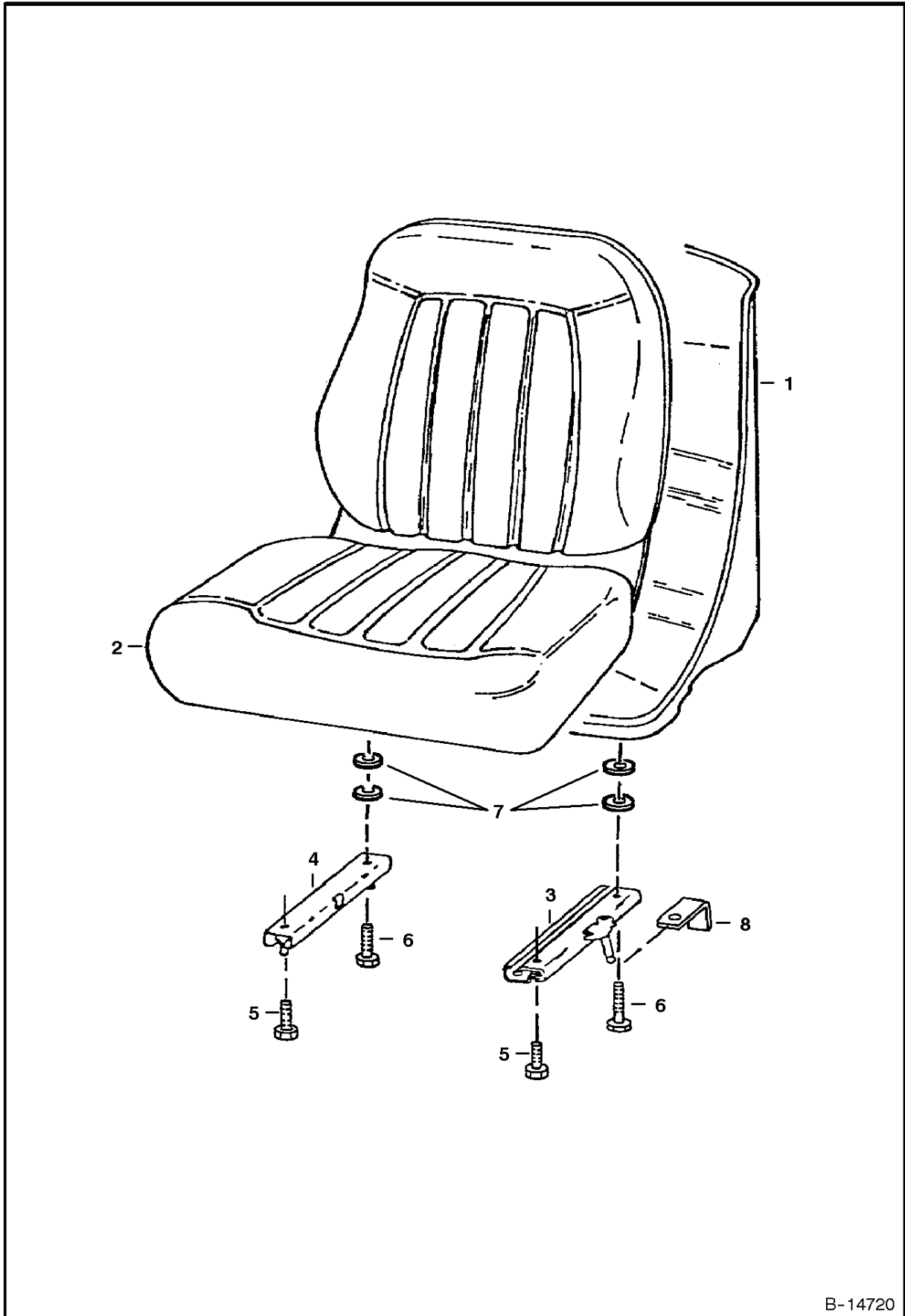


PE-1051

## SEAT &amp; SEAT BAR

Ref.N°	Part N°	Description	Remarks	Serial N°	Qty.
1	6669135	SEAT	See Page SEAT(1)		1
2	6680429	SENSOR			1
3	6684033	NUT			4
4	6715860	SEAT BAR			1
5	6715863	BRACKET			1
6	6715864	BUSHING			2
7	6715865	BUSHING			2
8	6715866	BUSHING			1
9	6519178	BUMPER			2
10	6631418	PIN	ring		2
11	6680441	BUSHING	keyed		2
12	6701535	SPRING			2
13	6710659	BUSHING			2
14	6713589	CLEVIS			2
15	6713887	BOLT			2
16	83D-4	NUT			1
17	53D-6	NUT			2
18	4F-6106	PIN			2
19	35C-412	BOLT			1
20	17C-640	BOLT			2
21	10C-616	BOLT			4
22	6680443	BUSHING			1
23	NAP	MOUNT	Order Ref. SEAT & SEAT BAR(4)		1

**SEAT  
(Michigan)**



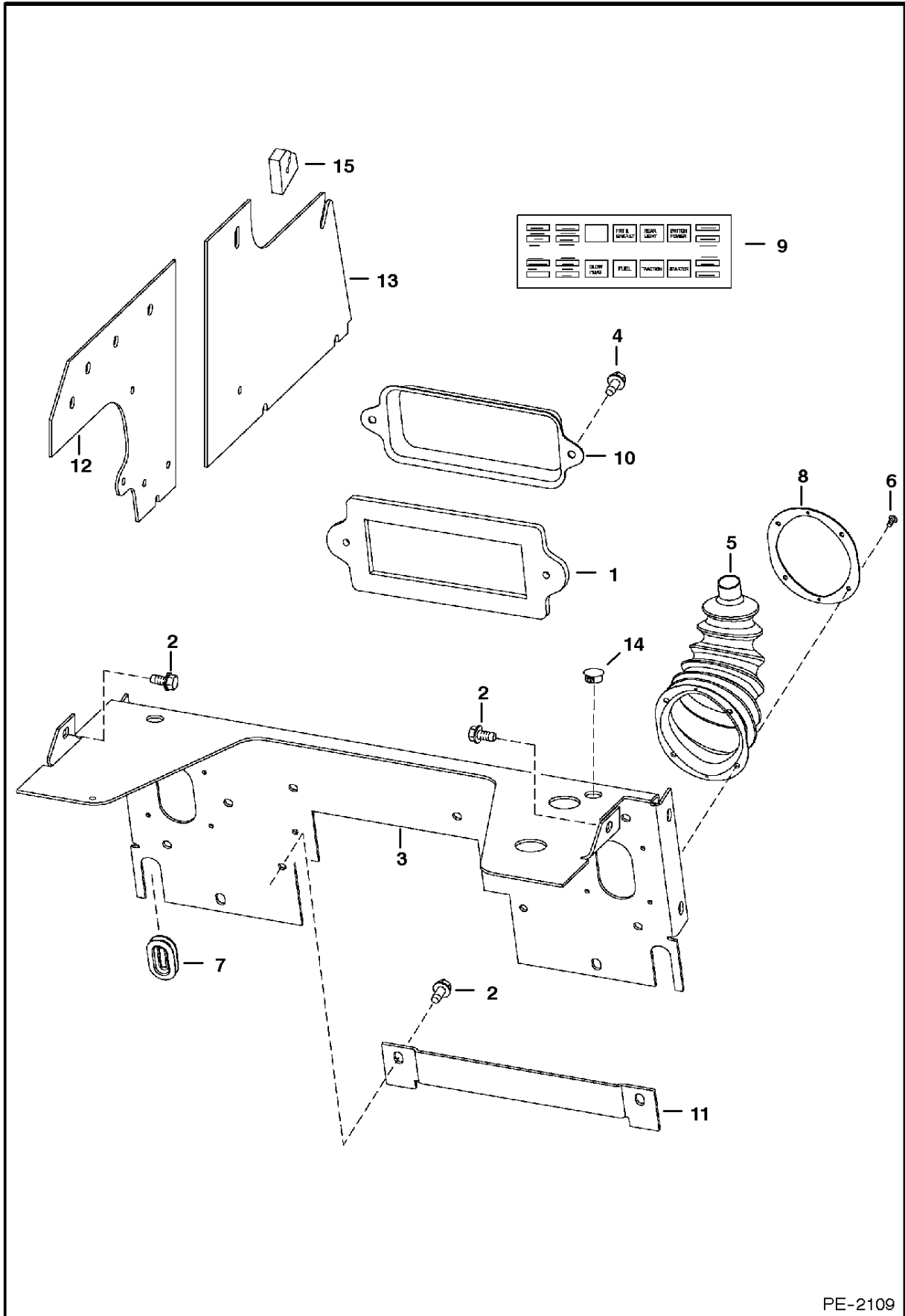
B-14720



## SEAT

Ref.N°	Part N°	Description	Remarks	Serial N°	Qty.
1	6669135	SEAT	W/Ref. SEAT(2)-SEAT(7)		1
2	6670160	CUSHION	W/edging, clip & (2) grommets		1
2	NSS	EDGING			1
2	NSS	CLIP			1
3	6674013	TRACK	L.H. - W/ Latch		1
4	6669089	TRACK	R.H. - W/O Latch		1
5	25G-512	BOLT			2
6	25G-520	BOLT			2
7	7000010	SPACER			4
8	6668953	BRACKET			2

# PANELS

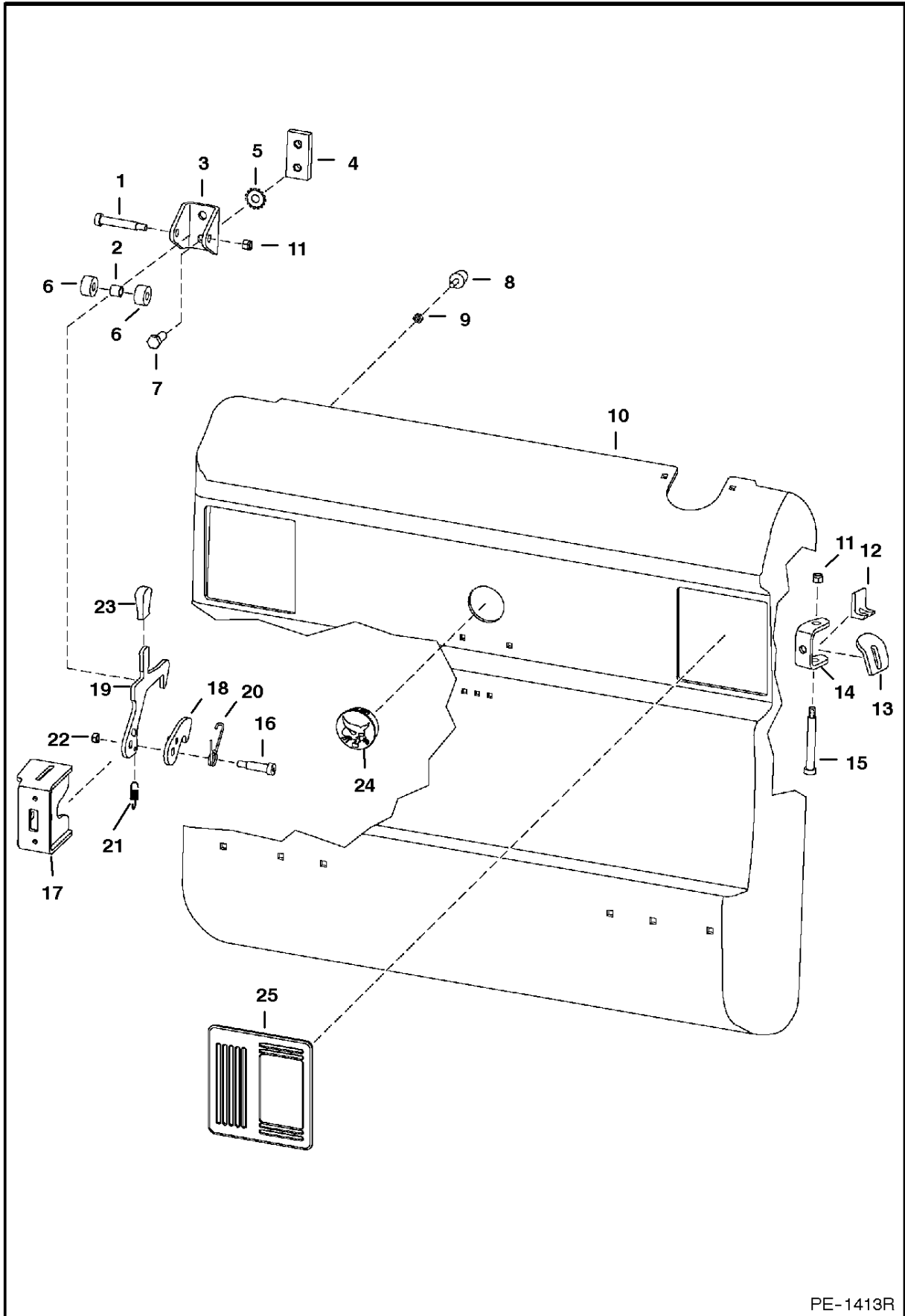


PE-2109

## PANELS

Ref.N°	Part N°	Description	Remarks	Serial N°	Qty.
1	6725302	GASKET			1
2	84G-3712	BOLT			14
3	6717208	SHIELD			1
4	84G-3112	BOLT			2
5	6532127	BOOT	W/Ref. PANELS(8)		2
6	6630207	RIVET			12
7	6577961	GROMMET			2
8	NAP	PLATE	Order Ref. PANELS(5)		2
9	6718774	DECAL	fuse/relay		1
10	6716621	COVER	fuse/relay		1
10	6736071	KIT	extreme condition - W/decal and insulation		1
10	6718774	DECAL	fuse/relay		1
10	6731275	INSULATION			1
11	6717890	COVER			1
12	6732620	PANEL	side rear		2
13	6732621	PANEL	side front		2
14	6657719	PLUG	for .75' dia. hole		2
14	6648348	PLUG	for .812' dia. hole		2
15	6733529	SEAL			2

# REAR DOOR

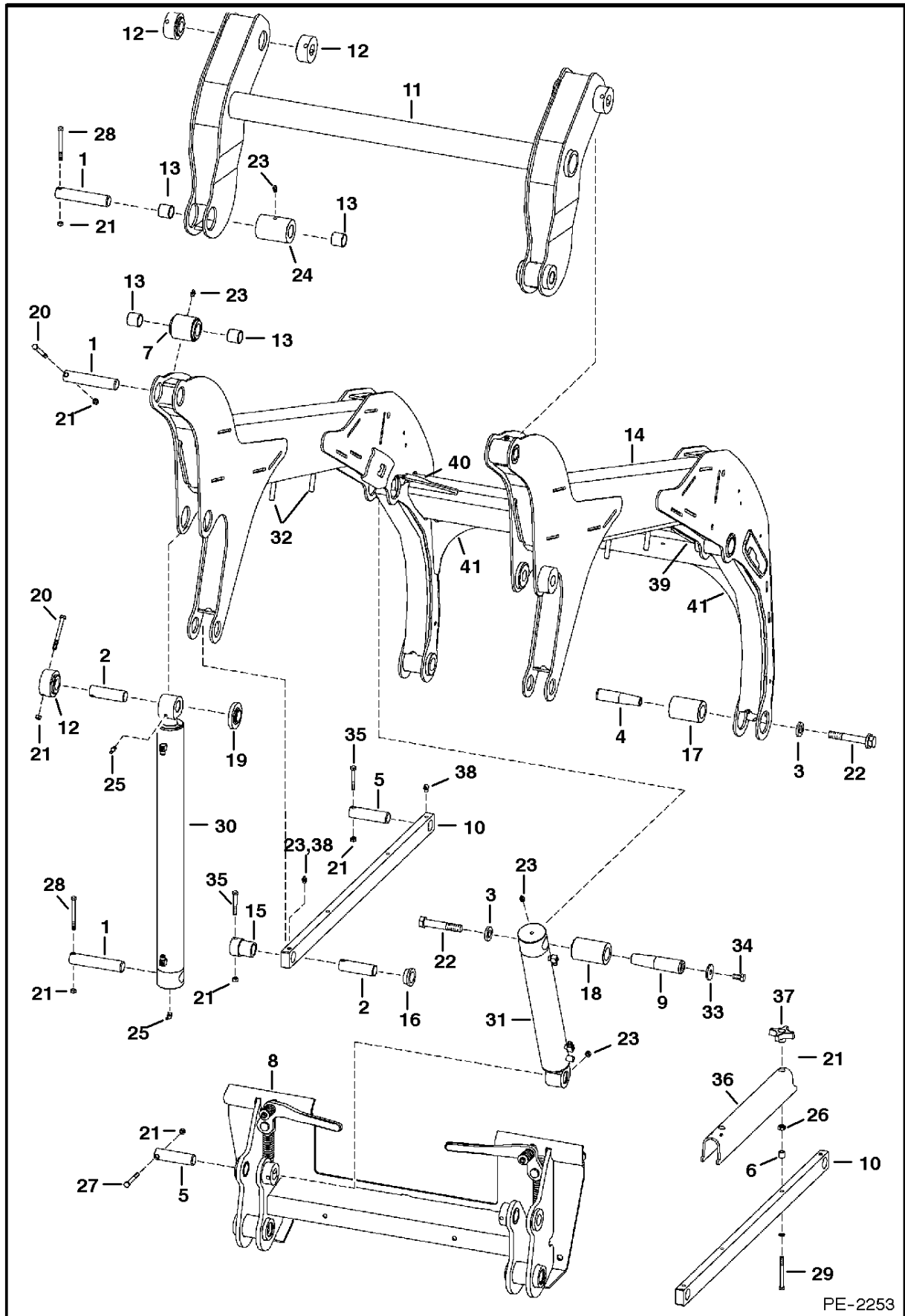


PE-1413R

## REAR DOOR

Ref.N°	Part N°	Description	Remarks	Serial N°	Qty.
1	38C-840	BOLT	carriage		1
2	6809734	BUSHING			1
3	6809727	CHANNEL			1
4	6719525	BAR	threaded striker		1
5	6675273	WASHER	lock		2
6	6809726	ROLLER			2
7	17C-820	BOLT			2
8	6733616	BUMPER	tapered		2
9	61D-5	NUT			2
10	6729991	REAR DOOR			1
11	59D-6	NUT			3
12	6719766	STOP			1
13	6714126	DOOR STOP			2
14	6733575	HINGE	weld on		2
15	6809845	SCREW			2
16	38C-824	SCREW			1
17	6729939	LATCH PLATE	weld on		1
18	6733667	LATCH			1
19	6732715	LATCH			1
20	6810132	SPRING			1
21	6810141	SPRING			1
22	85D-6	NUT			1
23	6564452	GRIP			1
24	6718796	PLUG			1
25	6670287	COVER			2

# LIFT ARMS & BOBTACH

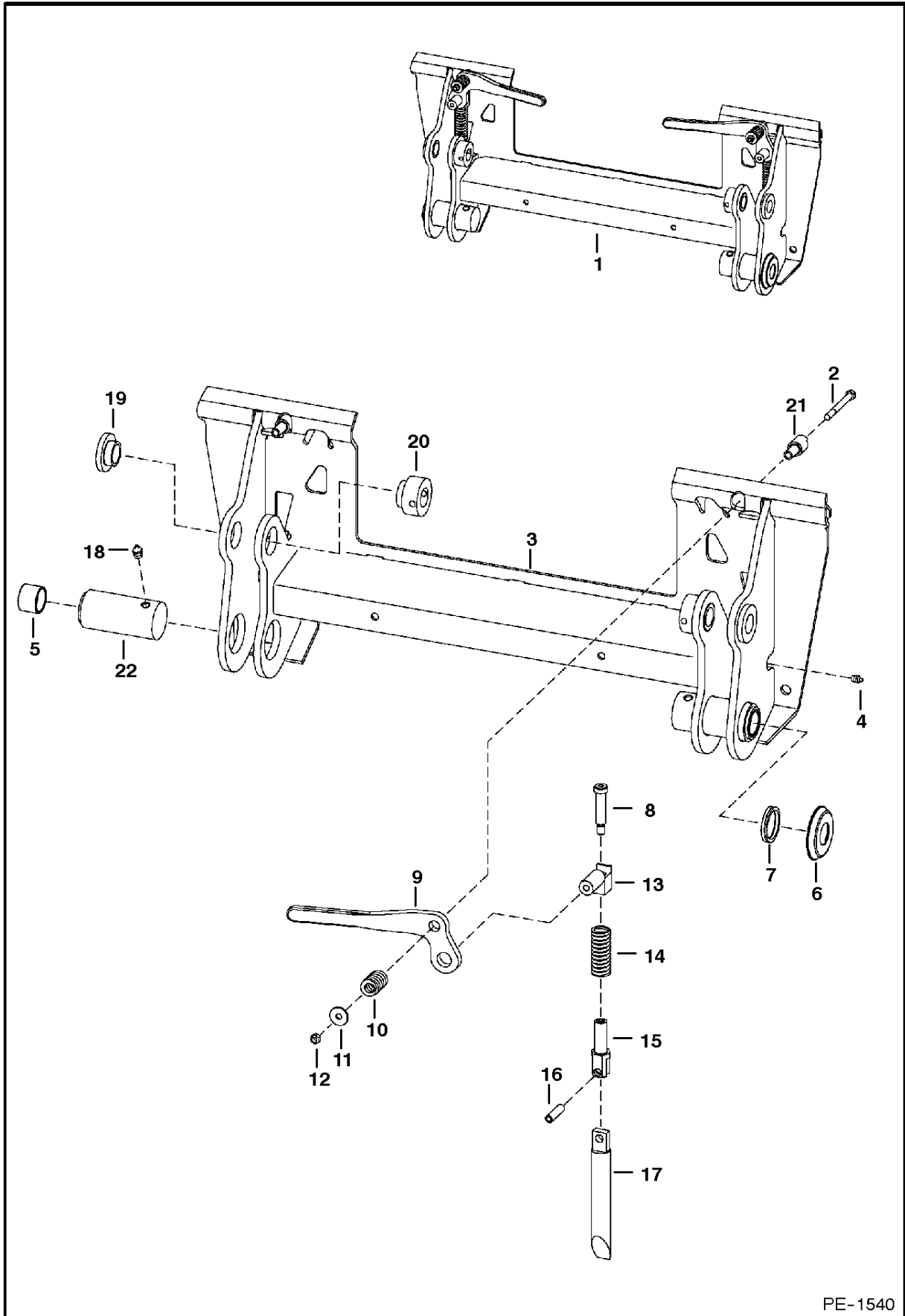


PE-2253

## LIFT ARMS &amp; BOBTACH

Ref.N°	Part N°	Description	Remarks	Serial N°	Qty.
1	6717560	PIN	1.25' x 6.20'(31,8mm x 157,5mm)		6
2	6718789	PIN	1.25' x 4.24'(31,8mm x 107,7mm)		4
3	27E-10	WASHER			4
4	6734661	PIN	tapered - 1.5' x 4.17' - (38,1 mm x 105,6 mm)		2
5	6577954	PIN			4
6	6532347	SPACER			2
7	6717039	BUSHING	weld on		2
8		BOB-TACH	See Page BOB-TACH(1)		2
9	6734662	PIN	tapered - 1.5' x 5.7' - (38,1 mm x 144,8 mm)		2
10	6727863	ROD LINK			2
11	6732264	FRAME LINK			1
12	6717246	BUSHING	weld on		6
13	6717562	BUSHING	wear		8
14	6737182	LIFT ARM			1
15	6717026	BUSHING	weld on		2
16	6717025	BUSHING	weld on		2
17	6735662	BUSHING	weld on		2
18	6734660	BUSHING	weld on		2
19	6717041	BUSHING	weld on		2
20	17C-656	BOLT			4
21	85D-6	NUT			14
22	17C-1080	BOLT			4
23	10H-25	GREASE ZERK			8
24	6732265	BUSHING	weld on		2
25	11H-15	GREASE ZERK			4
26	6718942	NUT			2
27	17C-648	BOLT			2
28	17C-660	BOLT			4
29	6730290	BOLT	stainless steel		2
30		CYLINDER	lift - See Page LIFT CYLINDER(1)		2
31	6809802	CYLINDER	tilt - See Page TILT CYLINDER(1)		2
32	1313995	STUD	weld on		4
33	6731160	WASHER			2
34	17C-1016	BOLT			2
35	17C-640	BOLT			4
36	6718312	STOP	lift arm		1
37	6679130	KNOB			2
38	12H-15	GREASE ZERK			8
39	6718879	GUSSET	L.H.		1
40	6718880	GUSSET	R.H.		1
41	6717961	GUSSET			2

# BOB-TACH



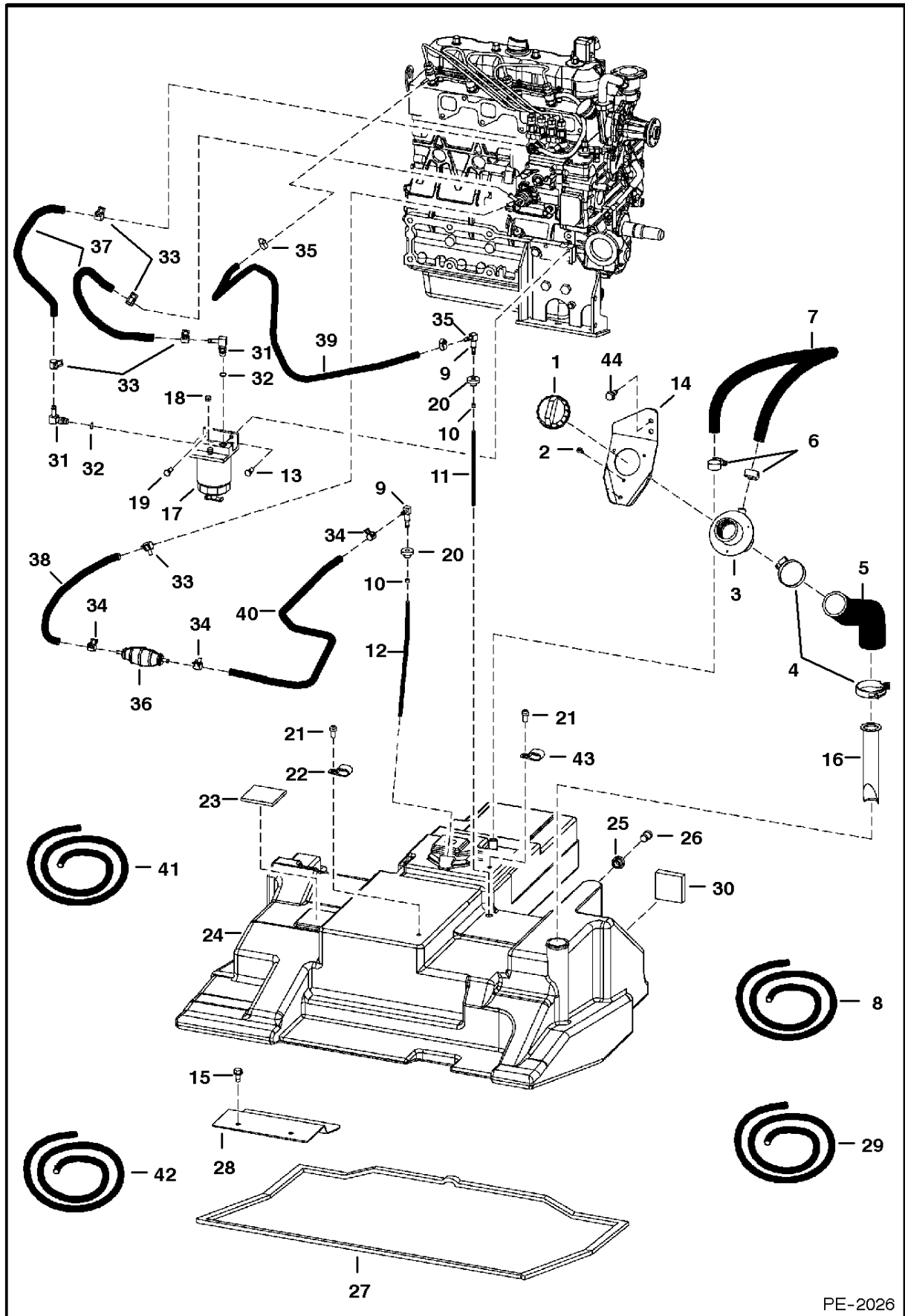
PE-1540



## BOB-TACH

Ref.N°	Part N°	Description	Remarks	Serial N°	Qty.
1	6732537	BOB-TACH	Ref. BOB-TACH (2) - BOB-TACH (22)		1
2	17C-660	BOLT			2
3	NAP	FRAME			1
4	10H-35	GREASE ZERK			2
5	6730997	BUSHING	Press Fit		2
6	6732443	CUP	seal		2
7	6651709	SEAL			2
8	6728473	SCREW	shoulder		2
9	6702904	LEVER	R.H.		1
9	6702903	LEVER	L.H.		1
10	6713040	SPRING			2
11	619021	WASHER			2
12	85D-6	NUT			2
13	6714576	PIVOT			2
14	6562018	SPRING			2
15	6704248	PIVOT	wedge		2
16	14J-5032	PIN			2
17	6737191	WEDGE ASSY.			2
18	743332	GREASE ZERK			2
19	6717259	BUSHING	weld on		2
20	6717260	BUSHING	weld on		2
21	6702958	BUSHING	weld on		2
22	6731979	BUSHING	weld on - Also Order Ref. BOB-TACH (5) & BOB-TACH (18)		2

# FUEL SYSTEM

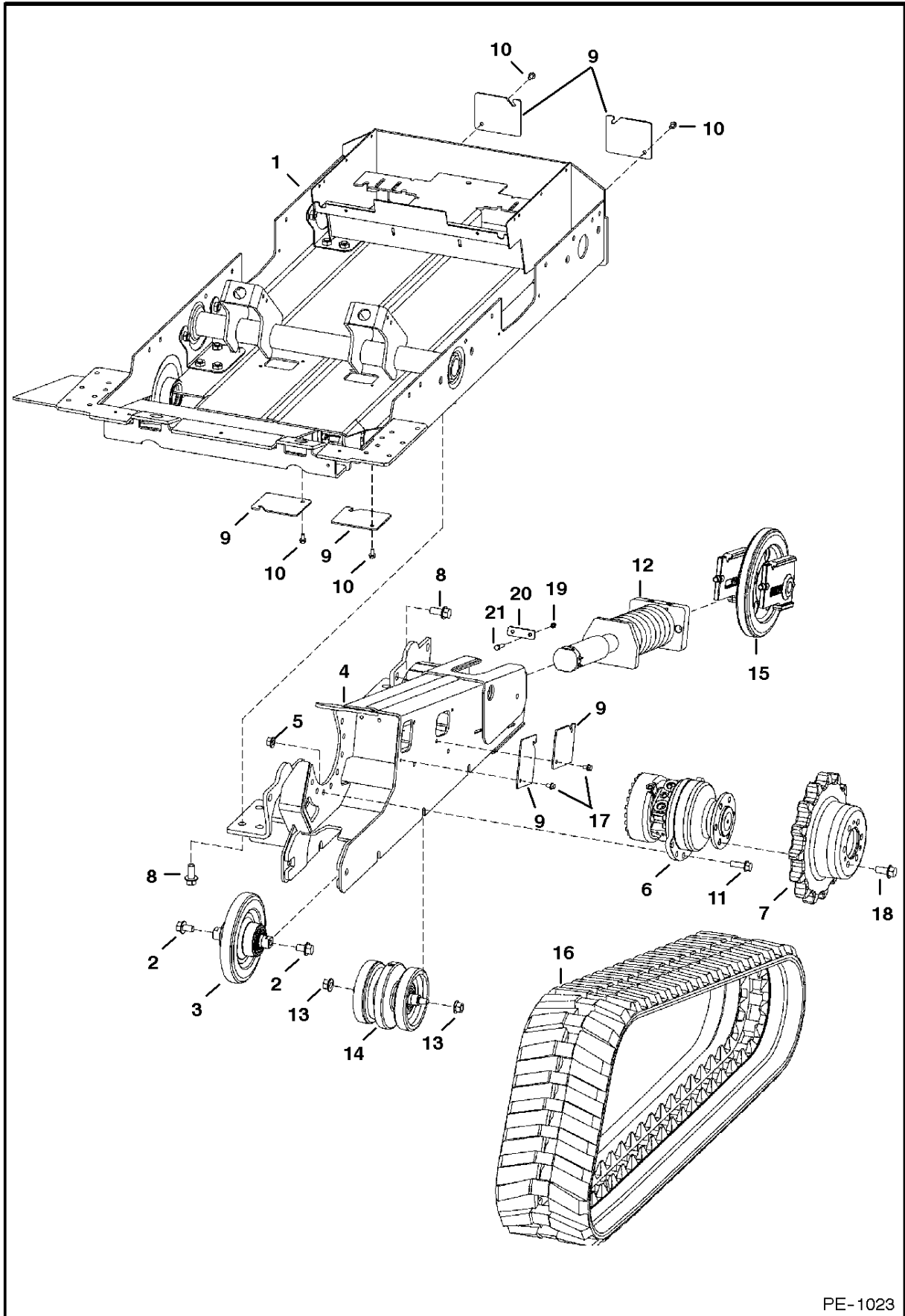


PE-2026

## FUEL SYSTEM

Ref.N°	Part N°	Description	Remarks	Serial N°	Qty.
1	6661114	CAP	green		1
1	6661696	FUEL CAP	(locking - W/key - Code PK510		1
1	6587458	KEY SET	Code PK510		1
2	6706517	SCREW			3
3	6701449	FILLER TUBE			1
4	42H-32	CLAMP	worm gear		2
4	5HM-58	CLAMP	constant tension		2
5	6717704	HOSE			1
6	42H-10	CLAMP	worm gear		2
6	5HM-24	CLAMP	constant tension		2
7	NAP	HOSE	(42'(1066,8 mm)long-Order Ref. FUEL SYSTEM(8)		x
8	6578172	HOSE	bulk - Sold Per Foot		x
9	6681462	ELBOW			2
10	6661213	CLAMP			3
11	6730767	HOSE	7" (177,8 mm) long		1
12	6729854	HOSE	12.5'(317,5 mm) long		1
13	84G-3116	BOLT			1
14	6731059	BRACKET			1
15	84G-3712	BOLT			2
16	6569219	SCREEN			1
17	6667353	FILTER ASSY			1
17	6667352	FILTER			1
17	72F-1	DRAIN COCK			1
18	6658180	PLUG	breather		1
19	84G-3112	BOLT			1
20	6553411	BUSHING			2
21	17C-610	BOLT			2
22	31H-27	CLAMP			1
23	6578278	PAD	self adhesive one side		2
24	6683303	TANK			1
25	6717402	BUSHING			1
26	6717401	PLUG	fuel drain		1
27	6737760	GASKET			1
28	6737368	BRACKET			1
29	6578169	HOSE	bulk - Sold Per Foot		x
30	6704436	PAD			2
31	6715183	ELBOW	W/Ref. FUEL SYSTEM(32) - check boss face to determine correct replacement O-ring		2
32	99K-5	O-RING	tapered boss face		x
32	79K-5	O-RING	flat boss face		x
33	5HM-14	CLAMP			5
34	5HM-13	CLAMP			3
35	42HS-4	CLAMP			2
36	6657734	PUMP	hand primer		1
37	NAP	HOSE	13" (330,2 mm) long - Order Ref. FUEL SYSTEM(41)		2
38	NAP	HOSE	18"(457,2 mm)long-(Order Ref. FUEL SYSTEM(42)		1
39	NAP	HOSE	35" (889,0 mm) long - Order Ref. FUEL SYSTEM(42)		1
40	NAP	HOSE	53" (1346,2 mm) long - Order Ref. FUEL SYSTEM(29)		1
41	6577822	HOSE	bulk - Sold Per Foot		x
42	6577821	HOSE	bulk - Sold Per Foot		x
43	30H-36	CLAMP			1
44	84G-3716	BOLT			2

# DRIVE TRAIN

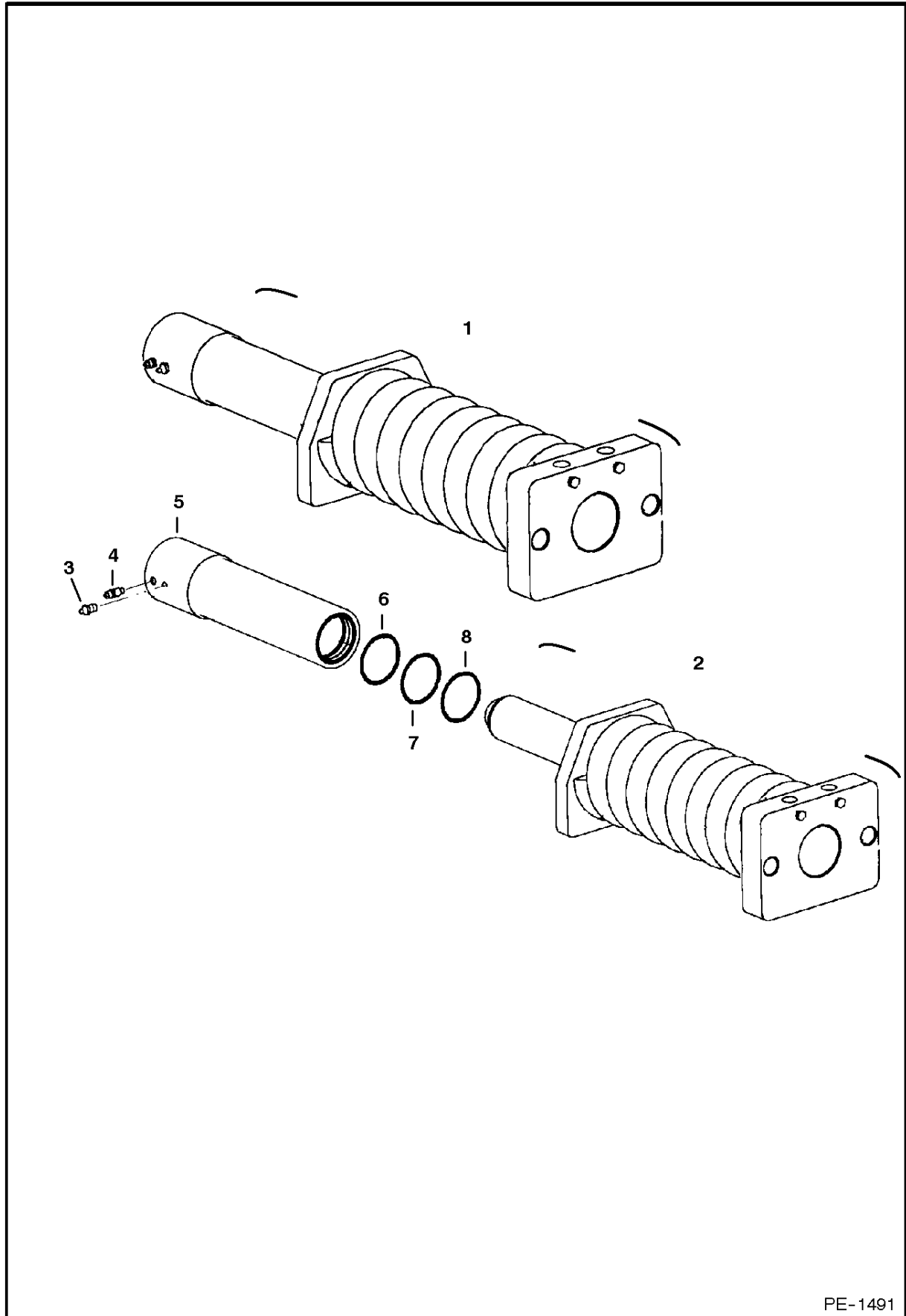


PE-1023

## DRIVE TRAIN

Ref.N°	Part N°	Description	Remarks	Serial N°	Qty.
1	6726100	DRIVECASE			1
2	31C-1224	BOLT			4
3		IDLER ASSY	rear - See Page REAR IDLER(1)		2
4	6726028	FRAME	track - L.H.		1
4	6726029	FRAME	track - R.H.		1
5	83D-10	NUT			16
6		MOTOR	See Page HYDROSTATIC MOTOR(1)		2
7	6726052	SPROCKET			2
8	31C-1228	BOLT			24
9	6716010	COVER			8
10	84G-3712	BOLT			8
11	31C-1032	BOLT			16
12	6726053	RECOIL SPRING	See Page TRACK TENSIONER(1)		2
13	83D-12	NUT			12
14		ROLLER ASSY	See Page TRACK ROLLER(1)		6
15		IDLER ASSY	front - See Page FRONT IDLER(1)		2
16	6677204	TRACK	12'(304,8 mm) wide - Avon		2
16	6680161	TRACK	12'(304,8 mm) wide - Bridgestone		2
17	35C-610	BOLT			8
18	31C-1220	BOLT			12
19	85D-6	NUT			4
20	6726066	STOP	base cylinder		2
21	17C-628	BOLT			4

# TRACK TENSIONER

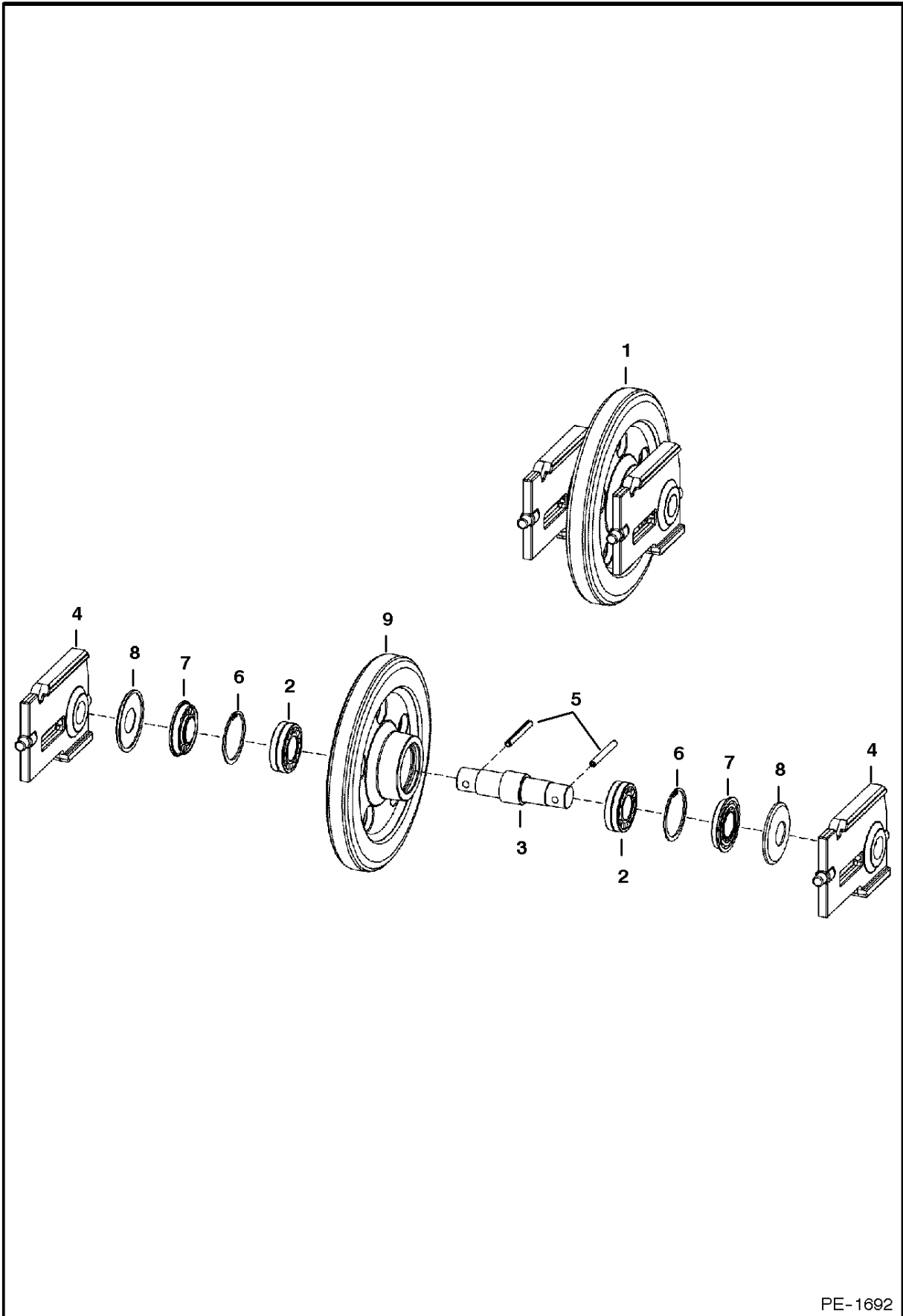


PE-1491

# TRACK TENSIONER

Ref.N°	Part N°	Description	Remarks	Serial N°	Qty.
1	6726053	RECOIL SPRING	Ref. TRACK TENSIONER(2) - TRACK TENSIONER(8)		1
2	NSS	&COIL SPRING ASSY	Order Ref. TRACK TENSIONER(1)		1
3	6655752	GREASE ZERK	Must be rated 10,000 psi - Do not substitute!		1
4	6645812	BLEEDER			1
5	6726055	TUBE			1
6	6672338	O-RING			1
7	6672342	WASHER	backAup		1
8	6668004	SEAL	wiper		1

# FRONT IDLER



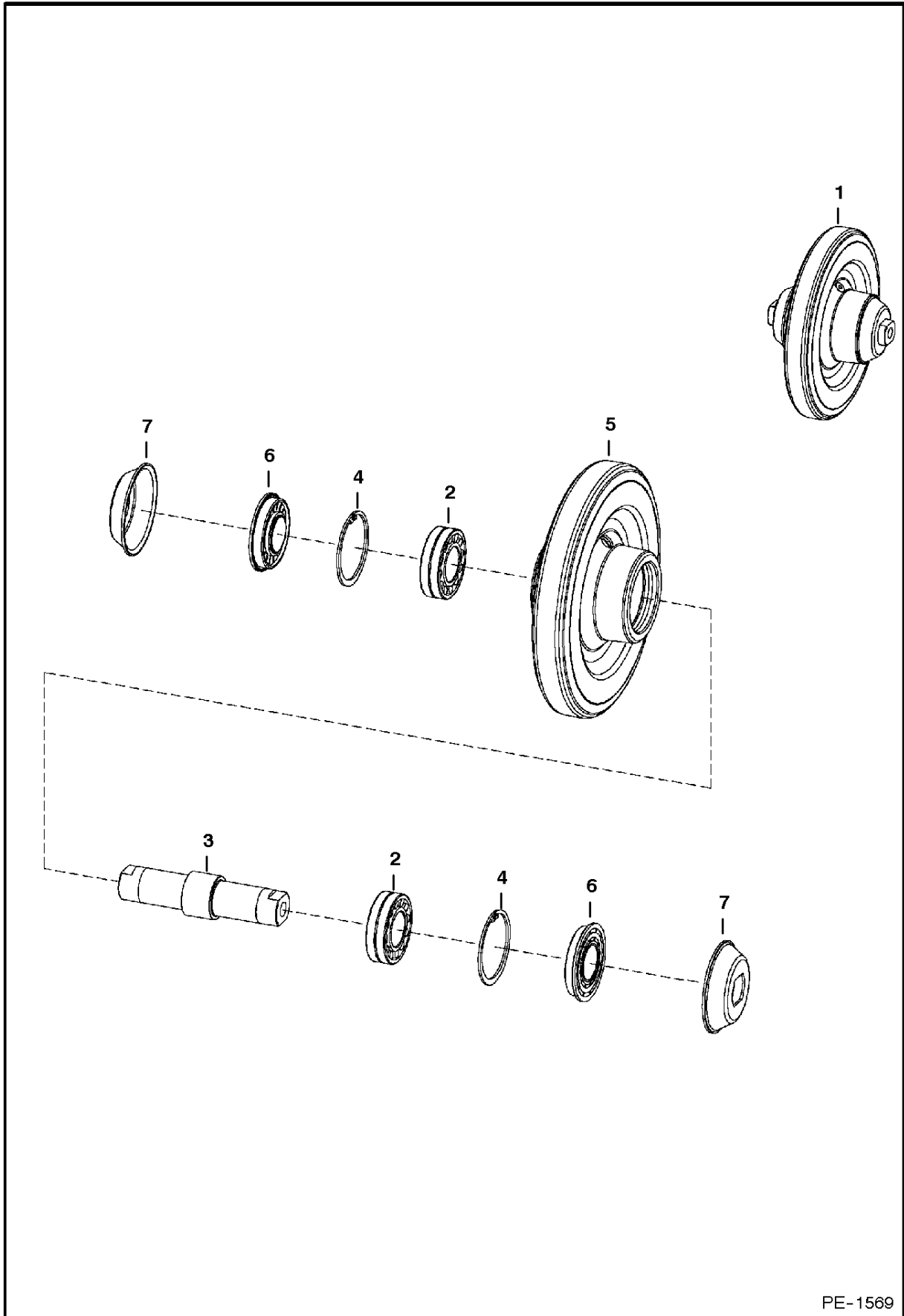
PE-1692



## FRONT IDLER

Ref.N°	Part N°	Description	Remarks	Serial N°	Qty.
1	6732902	IDLER ASSY	front - Ref. FRONT IDLER(2)-FRONT IDLER(9)		1
2	6679884	BEARING			2
3	6732875	AXLE	shaft		1
4	6730967	BRACKET	Use W/Ref. FRONT IDLER(8)		2
5	2JM-1090	ROLL PIN			2
6	7JM-80	SNAP RING			2
7	6679882	SEAL			2
8	6730227	COVER	seal		2
9	6732905	IDLER			1

# REAR IDLER

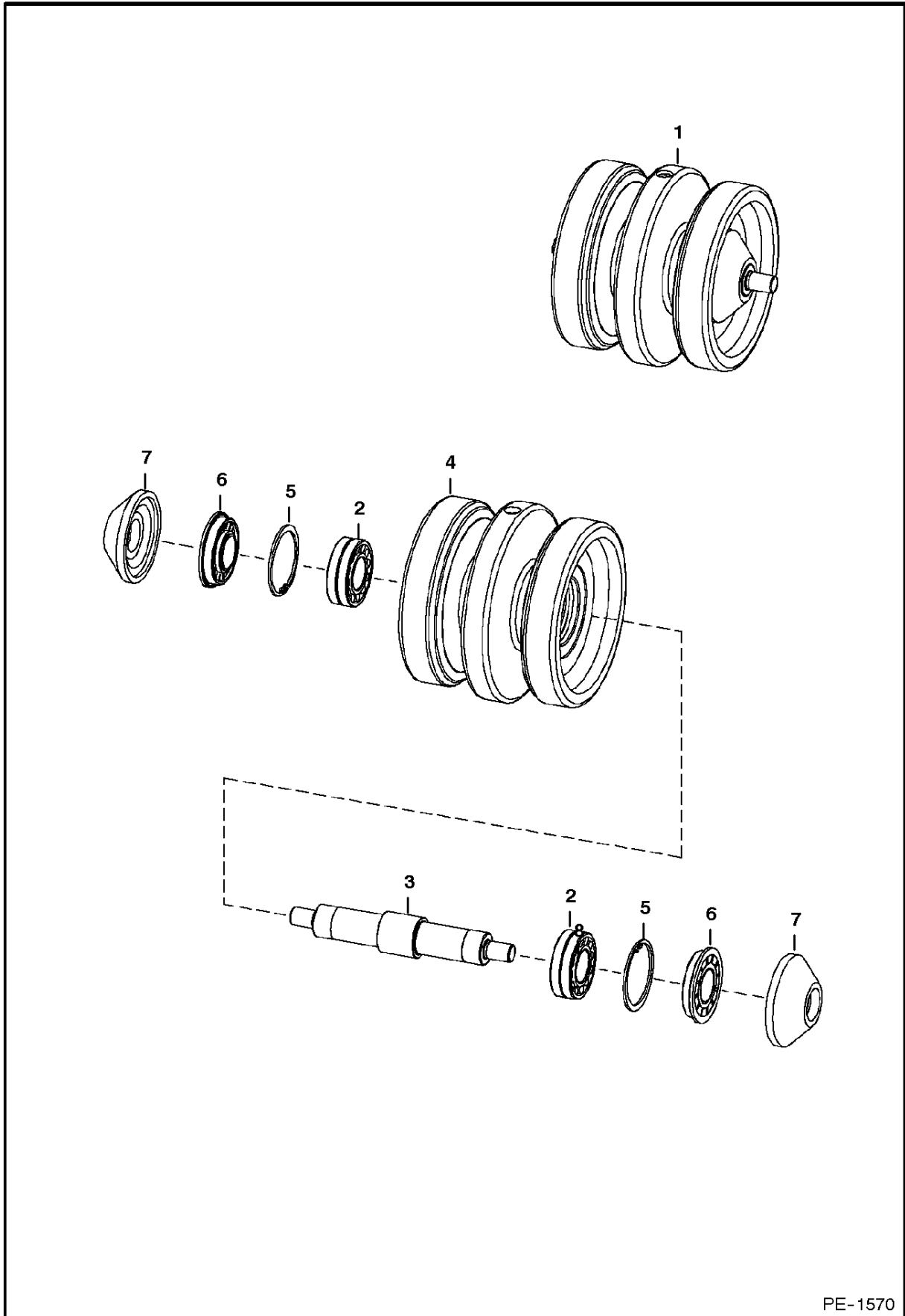


PE-1569

## REAR IDLER

Ref.N°	Part N°	Description	Remarks	Serial N°	Qty.
1	6732903	IDLER ASSY	rear - W/Ref. REAR IDLER(2)-REAR IDLER(7)		1
2	6679884	BEARING			2
3	6732876	AXLE	shaft		1
4	7JM-80	SNAP RING			2
5	6732906	IDLER			1
6	6679882	SEAL			2
7	6730228	COVER	seal		2

# TRACK ROLLER

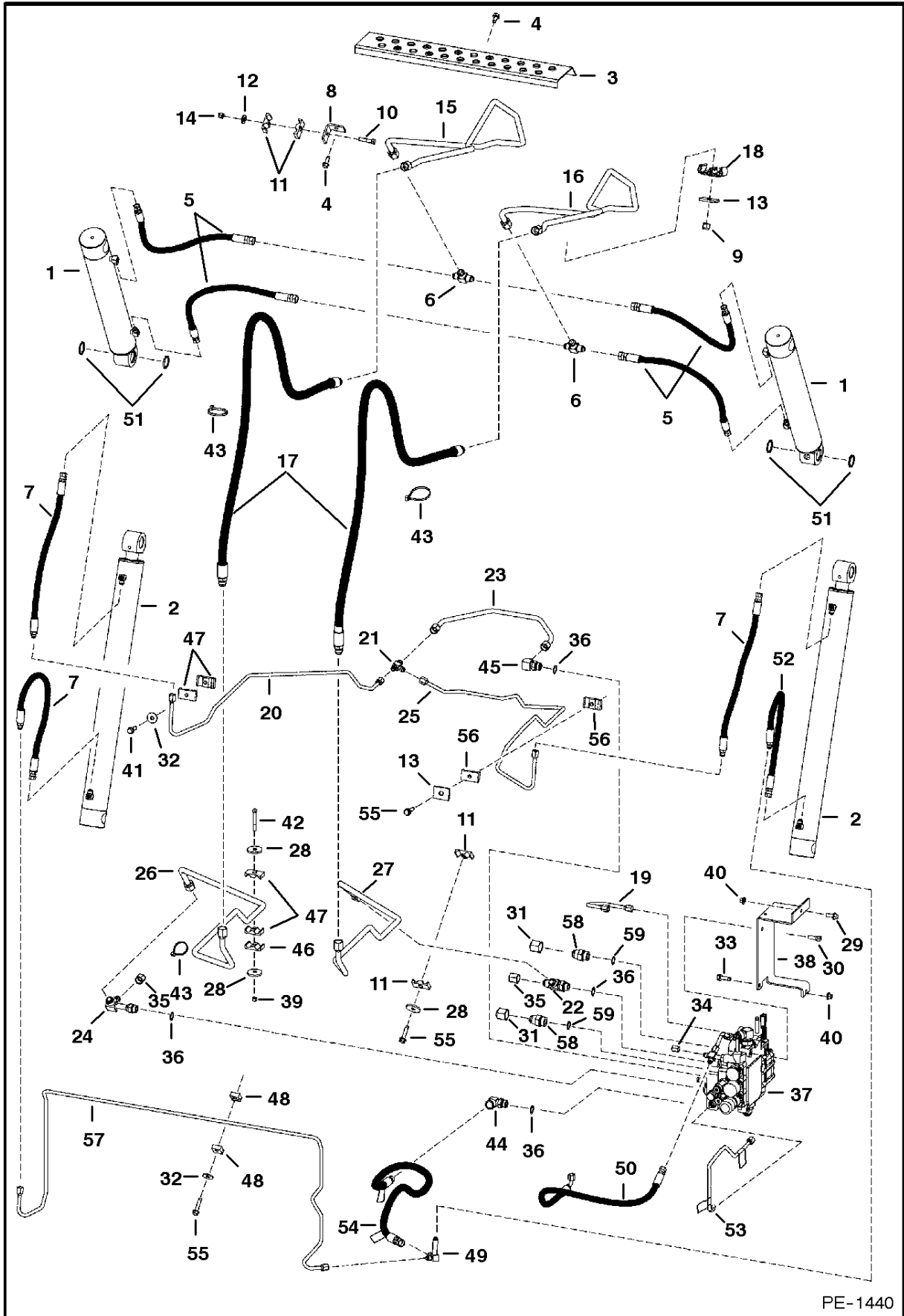


PE-1570

## TRACK ROLLER

Ref.N°	Part N°	Description	Remarks	Serial N°	Qty.
1	6732901	ROLLER ASSY	W/Ref. TRACK ROLLER(2)-TRACK ROLLER(7)		1
2	6679883	BEARING			2
3	6732874	AXLE	shaft		1
4	6732904	ROLLER			1
5	7JM-72	SNAP RING			2
6	6679881	SEAL			2
7	6730229	COVER	seal		2

# HYDRAULIC CIRCUITRY (W/O Bucket Positioning Valve)



PE-1440

## HYDRAULIC CIRCUITRY

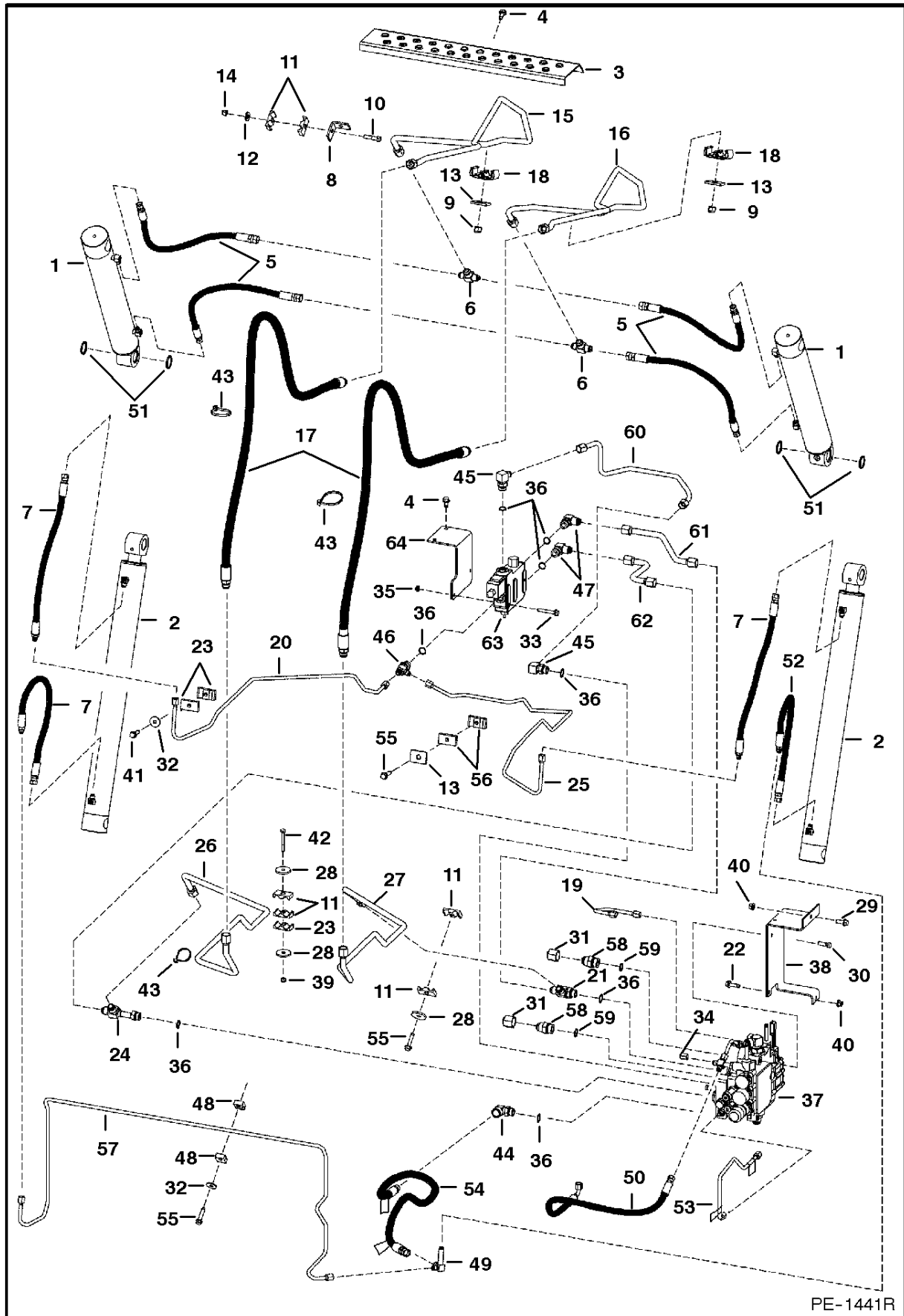
Ref.N°	Part N°	Description	Remarks	Serial N°	Qty.
1		CYLINDER	tilt - See Page TILT CYLINDER(1)		2
2		CYLINDER	lift - See Page LIFT CYLINDER(1)		2
3	6735669	SHIELD			1
4	84G-3712	BOLT			4
5	6718066	HOSE			4
6	6716061	TEE			2
7	6718067	HOSE			3
8	6718238	BRACKET			1
9	59D-8	NUT			2
10	17C-628	BOLT			1
11	6701893	CLAMP			6
12	27E-6	WASHER			1
13	6553709	WASHER			2
14	59D-6	NUT			1
15	6718030	TUBE			1
16	6725337	TUBE			1
17	6719439	HOSE			2
18	6717933	CLAMP			2
19	6735837	TUBE			1
20	6726168	TUBE			1
21	6719424	TEE			1
22	21KB-1010	TEE	W/Ref. HYDRAULIC CIRCUITRY(36)		1
23	6726166	TUBE			1
24	6730142	TEE	W/Ref. HYDRAULIC CIRCUITRY(36)		1
25	6733186	TUBE			1
26	6730203	TUBE			1
27	6730202	TUBE			1
28	872229	WASHER			3
29	35C-616	BOLT			2
30	17C-620	BOLT			2
31	36K-8	CAP			2
32	619021	WASHER			2
33	84G-3720	BOLT			1
34	36K-5	CAP			1
35	36K-7	CAP			2
36	79K-10	O-RING			x
37		VALVE	See Page HYDRAULIC CONTROL VALVE(1)		1
38	6726253	MOUNT			1
39	59D-6	NUT			1
40	83D-6	NUT			2
41	84G-3724	BOLT			1
42	17C-644	BOLT			1
43	6624289	STA-STRAP			2
44	6814531	ELBOW	W/Ref. HYDRAULIC CIRCUITRY(36)		1
45	17KB-810	ELBOW	W/Ref. HYDRAULIC CIRCUITRY(36)		1
46	30H-45	CLAMP			1
47	6726277	CLAMP			4
48	6727707	CLAMP			2
49	6727638	TEE			1
50	6737648	HOSE	To Ref. HYDRAULIC CONTROL VALVE(54) - See Page HYDRAULIC CONTROL VALVE(1)		1
51	225855	SEAL			4
52	6726199	HOSE			2
53	6729909	TUBE	See Page MANUAL LIFT RELEASE SYSTEM(1)		1
53	6809511	DECAL			2

## HYDRAULIC CIRCUITRY

Ref.N°	Part N°	Description	Remarks	Serial N°	Qty.
54	6727705	HOSE			1
54	6809511	DECAL			2
55	84G-3728	BOLT			3
56	6727708	CLAMP			2
57	6726167	TUBE			1
58	15KB-1212	ADAPTER	W/Ref. HYDRAULIC CIRCUITRY(59)		2
59	79K-12	O-RING			x



# HYDRAULIC CIRCUITRY (W/ Bucket Positioning Valve)



PE-1441R



**Download the full PDF manual instantly.**

**Our customer service e-mail:**

**[aservicemanualpdf@yahoo.com](mailto:aservicemanualpdf@yahoo.com)**