



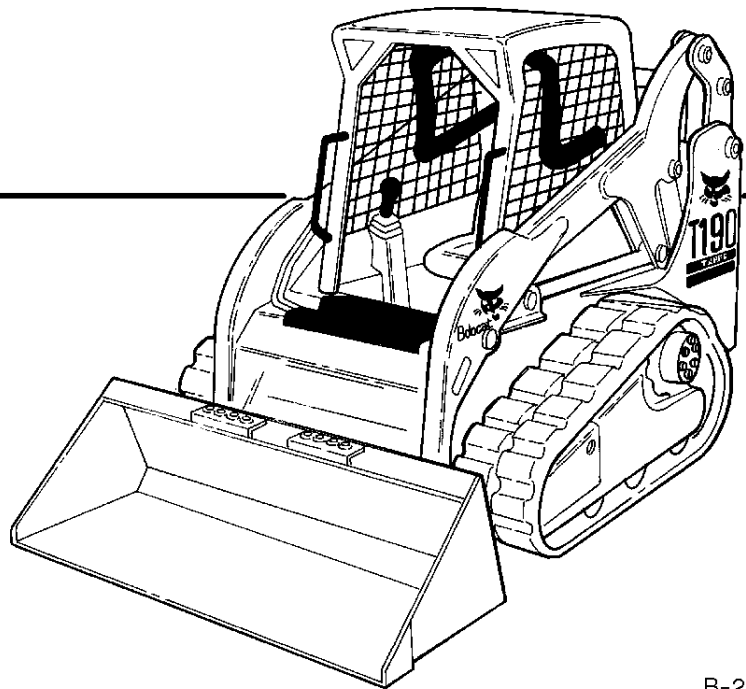
Bobcat®

Parts Manual

S/N 5193 11001 & Above

S/N 5194 11001 & Above

S/N 5270 11001 & Above



B-22862

**EQUIPPED WITH
BOBCAT INTERLOCK
CONTROL SYSTEM (BICS™)**

6901352 (6-03) Revised (12-03)

IR Bobcat®
Printed in U.S.A.

© Bobcat Company 2003

T190 CONTENTS

MAIN FRAME	11-48
MAINTENANCE ITEMS	11-12
MAINTENANCE SCHEDULE ITEMS	13-20
MAIN FRAME	21-24
OPERATOR CAB	25-28
SEAT & SEAT BAR	29-30
SEAT	31-32
PANELS	33-34
REAR DOOR	35-38
LIFT ARMS & BOBTACH	39-42
BOB-TACH	43-44
FUEL SYSTEM	45-48
DRIVE TRAIN	49-64
DRIVE TRAIN	49-50
TRACK TENSIONER	51-52
FRONT IDLER (S/N 5193 13368 & BEL, 5194 12089 & BEL)	53-54
REAR IDLER (S/N 5193 13368 & BEL, 5194 12089 & BEL)	55-56
TRACK ROLLER (S/N 5193 13368 & BEL, 5194 12089 & BEL)	57-58
FRONT IDLER (S/N 5193 13369 & ABV, 5194 12090 & ABV, 5270 11001 & ABV)	59-60
REAR IDLER (S/N 5193 13369 & ABV, 5194 12090 & ABV, 5270 11001 & ABV)	61-62
TRACK ROLLER (S/N 5193 13369 & ABV, 5194 12090 & ABV, 5270 11001 & ABV)	63-64
HYDRAULIC SYSTEM	65-142
HYDRAULIC CIRCUITRY	65-80
MANUAL LIFT RELEASE SYSTEM	81-82
AUXILIARY HYDRAULICS	83-88
TILT CYLINDER	89-90
LIFT CYLINDER	91-92
CONTROL PEDALS	93-94
HYDRAULIC CONTROL VALVE	95-136
BICS CONTROL VALVE	137-138
MANUAL LIFT RELEASE VALVE	139-140
PRESSURE RELEASE VALVE	141-142
HIGH FLOW HYDRAULICS	143-154
HIGH FLOW HYDRAULICS	143-154
HYDROSTATIC SYSTEM	155-210
HYDROSTATIC CIRCUITRY	155-172
HAND CONTROLS	173-180
HYDROSTATIC MOTOR	181-196
HYDROSTATIC PUMP	197-204
GEAR PUMP	205-206
HYDROSTATIC OIL FILTER	207-210
ELECTRICAL SYSTEM	211-238
CAB ELECTRICAL CIRCUITRY	211-212
ENGINE ELECTRICAL CIRCUITRY	213-216
* ENGINE ELECTRICAL CIRCUITRY	217-220
CONTROLS ELECTRICAL	221-232
ALTERNATOR	233-234
STARTER	235-238
POWER UNIT	239-364
COOLING SYSTEM	239-244
ENGINE & ATTACHING PARTS	245-258
THROTTLE	259-260
* THROTTLE	261-262
COOLING FAN DRIVE ASSY.	263-264

T190 CONTENTS (Cont'd)

POWER UNIT (Cont'd)	239-364
ENGINE & GASKET KITS (KUBOTA V2003T)	265-266
GEARCASE (KUBOTA V2003T)	267-268
OIL COOLER (KUBOTA V2003T)	269-274
CRANKCASE (KUBOTA V2003T)	275-276
ROCKER ARM COVER (KUBOTA V2003T)	277-278
VALVE ROCKER ARM (KUBOTA V2003T)	279-280
CYLINDER HEAD (KUBOTA V2003T)	281-282
OIL PAN (KUBOTA V2003T)	283-284
PISTON & CRANKSHAFT (KUBOTA V2003T)	285-286
FUEL CAMSHAFT (KUBOTA V2003T)	287-288
CAMSHAFT (KUBOTA V2003T)	289-290
WATER PUMP (KUBOTA V2003T)	291-292
WATER FLANGE & THERMOSTAT (KUBOTA V2003T)	293-294
MANIFOLDS (KUBOTA V2003T)	295-296
TURBO CHARGER (KUBOTA V2003T)	297-298
OIL PIPE (KUBOTA V2003T)	299-300
ENGINE STOP LEVER (KUBOTA V2003T)	301-302
GOVERNOR (KUBOTA V2003T)	303-304
SPEED CONTROL PLATE (KUBOTA V2003T)	305-306
INJECTION PUMP (KUBOTA V2003T)	307-308
SPEED CONTROL PLATE (KUBOTA V2003T)	309-310
INJECTOR NOZZLES (KUBOTA V2003T)	311-312
INJECTOR HOLDER (KUBOTA V2003T)	313-314
* ENGINE & GASKET KITS (KUBOTA V2003TMDI - TIER II)	315-316
* GEARCASE (KUBOTA V2003TMDI - TIER II)	317-318
* OIL COOLER (KUBOTA V2003TMDI - TIER II)	319-320
* CRANKCASE (KUBOTA V2003TMDI - TIER II)	321-322
* ROCKER ARM COVER (KUBOTA V2003TMDI - TIER II)	323-324
* VALVE ROCKER ARM (KUBOTA V2003TMDI - TIER II)	325-326
* CYLINDER HEAD (KUBOTA V2003TMDI - TIER II)	327-328
* OIL PAN (KUBOTA V2003TMDI - TIER II)	329-330
* PISTON & CRANKSHAFT (KUBOTA V2003TMDI - TIER II)	331-332
* FUEL CAMSHAFT (KUBOTA V2003TMDI - TIER II)	333-334
* CAMSHAFT (KUBOTA V2003TMDI - TIER II)	335-336
* WATER PUMP (KUBOTA V2003TMDI - TIER II)	337-338
* WATER FLANGE & THERMOSTAT (KUBOTA V2003TMDI - TIER II)	339-340
* MANIFOLDS (KUBOTA V2003TMDI - TIER II)	341-342
* TURBO CHARGER (KUBOTA V2003TMDI - TIER II)	343-344
* OIL PIPE (KUBOTA V2003TMDI - TIER II)	345-346
* ENGINE STOP LEVER (KUBOTA V2003TMDI - TIER II)	347-348
* GOVERNOR (KUBOTA V2003TMDI - TIER II)	349-350
* SPEED CONTROL PLATE (KUBOTA V2003TMDI - TIER II)	351-352
* BOOST COMPENSATOR (KUBOTA V2003TMDI - TIER II)	353-354
* INJECTION PUMP (KUBOTA V2003TMDI - TIER II)	355-358
* INJECTOR NOZZLES (KUBOTA V2003TMDI - TIER II)	359-360
* INJECTOR HOLDER (KUBOTA V2003TMDI - TIER II)	361-362
AIR CLEANER	363-364
ACCESSORIES & OPTIONS	368-537
ACS CONVERSION KIT	368-369
ACCESSORIES HARNESS	370-371
BACK-UP ALARM	372-373
BEACON	374-375
BLOCK HEATER	376-377
BOB-TACH LEVERS	378-379

T190 CONTENTS (Cont'd)

ACCESSORIES & OPTIONS (Cont'd)	368-537
BUCKET POSITIONING VALVE KIT	380-383
BUCKET POSITIONING VALVE	384-385
CAB DOOR	386-403
CAB ENCLOSURE	404-407
CAB WINDOWS	408-411
DECALS	412-415
DELUXE CAB	416-417
DUAL BATTERY KIT	418-421
* DUAL DAMPENER KIT	422-423
ELECTRICAL CONNECTOR KIT	424-425
ELECTRICAL CONTROLS KIT	426-435
ENGINE MOUNT KIT	436-437
EUROPEAN ACCESSORIES	438-443
FIRE EXTINGUISHER	444-445
F.O.P.S. KIT	446-447
FLASHER LIGHTS	448-449
FRONT AUXILIARY	450-451
GAS SPRING KIT	452-453
HEATER & A/C	454-479
HORN KIT	480-481
LIFT LIT	482-485
LIGHT KIT	486-487
MUFFLER/PURIFIER KIT	488-489
POWER BOB-TACH KIT	490-493
POWER BOB-TACH	494-501
REAR AUXILIARY	502-513
REAR AUXILIARY VALVE	514-517
REAR DOOR LOCK	518-519
REAR WIPER	520-521
SEAL ENCLOSURE KIT	522-523
SEAT	524-527
SEAT BELT	528-531
SOUND REDUCTION HARDHAT	532-533
STROBE LIGHT	534-535
BULK ITEMS	536-537
NUMERICAL INDEX	538-598
NUMERICAL INDEX	538-598

T190 CONTENTS

MAIN FRAME	11-48
MAINTENANCE ITEMS	11-12
MAINTENANCE SCHEDULE ITEMS	13-20
MAIN FRAME	21-24
OPERATOR CAB	25-28
SEAT & SEAT BAR	29-30
SEAT	31-32
PANELS	33-34
REAR DOOR	35-38
LIFT ARMS & BOBTACH	39-42
BOB-TACH	43-44
FUEL SYSTEM	45-48
DRIVE TRAIN	49-64
DRIVE TRAIN	49-50
TRACK TENSIONER	51-52
FRONT IDLER (S/N 5193 13368 & Bel, 5194 12089 & Bel)	53-54
REAR IDLER (S/N 5193 13368 & Bel, 5194 12089 & Bel)	55-56
TRACK ROLLER (S/N 5193 13368 & Bel, 5194 12089 & Bel)	57-58
FRONT IDLER (S/N 5193 13369 & Abv, 5194 12090 & Abv, 5270 11001 & Abv)	59-60
REAR IDLER (S/N 5193 13369 & Abv, 5194 12090 & Abv, 5270 11001 & Abv)	61-62
TRACK ROLLER (S/N 5193 13369 & Abv, 5194 12090 & Abv, 5270 11001 & Abv)	63-64
HYDRAULIC SYSTEM	65-142
HYDRAULIC CIRCUITRY	65-80
MANUAL LIFT RELEASE SYSTEM	81-82
AUXILIARY HYDRAULICS	83-88
TILT CYLINDER	89-90
LIFT CYLINDER	91-92
CONTROL PEDALS	93-94
HYDRAULIC CONTROL VALVE	95-136
BICS CONTROL VALVE	137-138
MANUAL LIFT RELEASE VALVE	139-140
PRESSURE RELEASE VALVE	141-142
HIGH FLOW HYDRAULICS	143-154
HIGH FLOW HYDRAULICS	143-154
HYDROSTATIC SYSTEM	155-210
HYDROSTATIC CIRCUITRY	155-172
HAND CONTROLS	173-180
HYDROSTATIC MOTOR	181-196
HYDROSTATIC PUMP	197-204
GEAR PUMP	205-206
HYDROSTATIC OIL FILTER	207-210
ELECTRICAL SYSTEM	211-238
CAB ELECTRICAL CIRCUITRY	211-212
ENGINE ELECTRICAL CIRCUITRY	213-216
* ENGINE ELECTRICAL CIRCUITRY	217-220
CONTROLS ELECTRICAL	221-232
ALTERNATOR	233-234
STARTER	235-238
POWER UNIT	239-364
COOLING SYSTEM	239-244
ENGINE & ATTACHING PARTS	245-258
THROTTLE	259-260
* THROTTLE	261-262
COOLING FAN DRIVE ASSY.	263-264

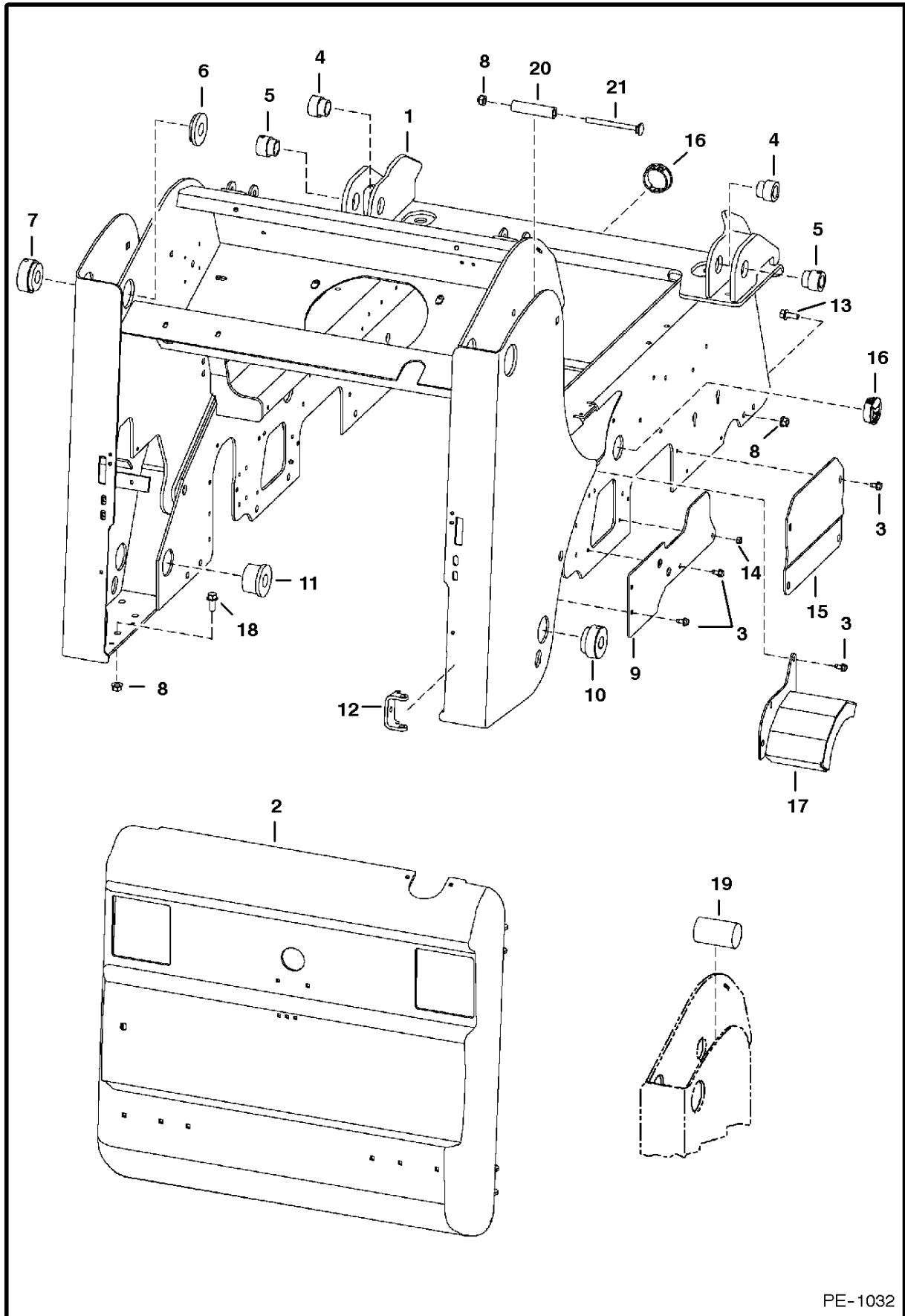
T190 CONTENTS (Cont'd)

POWER UNIT (Cont'd)	239-364
ENGINE & GASKET KITS (KUBOTA V2003T)	265-266
GEARCASE (KUBOTA V2003T)	267-268
OIL COOLER (KUBOTA V2003T)	269-274
CRANKCASE (KUBOTA V2003T)	275-276
ROCKER ARM COVER (KUBOTA V2003T)	277-278
VALVE ROCKER ARM (KUBOTA V2003T)	279-280
CYLINDER HEAD (KUBOTA V2003T)	281-282
OIL PAN (KUBOTA V2003T)	283-284
PISTON & CRANKSHAFT (KUBOTA V2003T)	285-286
FUEL CAMSHAFT (KUBOTA V2003T)	287-288
CAMSHAFT (KUBOTA V2003T)	289-290
WATER PUMP (KUBOTA V2003T)	291-292
WATER FLANGE & THERMOSTAT (KUBOTA V2003T)	293-294
MANIFOLDS (KUBOTA V2003T)	295-296
TURBO CHARGER (KUBOTA V2003T)	297-298
OIL PIPE (KUBOTA V2003T)	299-300
ENGINE STOP LEVER (KUBOTA V2003T)	301-302
GOVERNOR (KUBOTA V2003T)	303-304
SPEED CONTROL PLATE (KUBOTA V2003T)	305-306
INJECTION PUMP (KUBOTA V2003T)	307-308
SPEED CONTROL PLATE (KUBOTA V2003T)	309-310
INJECTOR NOZZLES (KUBOTA V2003T)	311-312
INJECTOR HOLDER (KUBOTA V2003T)	313-314
* ENGINE & GASKET KITS (KUBOTA V2003TMDI - TIER II)	315-316
* GEARCASE (KUBOTA V2003TMDI - TIER II)	317-318
* OIL COOLER (KUBOTA V2003TMDI - TIER II)	319-320
* CRANKCASE (KUBOTA V2003TMDI - TIER II)	321-322
* ROCKER ARM COVER (KUBOTA V2003TMDI - TIER II)	323-324
* VALVE ROCKER ARM (KUBOTA V2003TMDI - TIER II)	325-326
* CYLINDER HEAD (KUBOTA V2003TMDI - TIER II)	327-328
* OIL PAN (KUBOTA V2003TMDI - TIER II)	329-330
* PISTON & CRANKSHAFT (KUBOTA V2003TMDI - TIER II)	331-332
* FUEL CAMSHAFT (KUBOTA V2003TMDI - TIER II)	333-334
* CAMSHAFT (KUBOTA V2003TMDI - TIER II)	335-336
* WATER PUMP (KUBOTA V2003TMDI - TIER II)	337-338
* WATER FLANGE & THERMOSTAT (KUBOTA V2003TMDI - TIER II)	339-340
* MANIFOLDS (KUBOTA V2003TMDI - TIER II)	341-342
* TURBO CHARGER (KUBOTA V2003TMDI - TIER II)	343-344
* OIL PIPE (KUBOTA V2003TMDI - TIER II)	345-346
* ENGINE STOP LEVER (KUBOTA V2003TMDI - TIER II)	347-348
* GOVERNOR (KUBOTA V2003TMDI - TIER II)	349-350
* SPEED CONTROL PLATE (KUBOTA V2003TMDI - TIER II)	351-352
* BOOST COMPENSATOR (KUBOTA V2003TMDI - TIER II)	353-354
* INJECTION PUMP (KUBOTA V2003TMDI - TIER II)	355-358
* INJECTOR NOZZLES (KUBOTA V2003TMDI - TIER II)	359-360
* INJECTOR HOLDER (KUBOTA V2003TMDI - TIER II)	361-362
AIR CLEANER	363-364
ACCESSORIES & OPTIONS	368-537
ACS CONVERSION KIT	368-369
ACCESSORIES HARNESS	370-371
BACK-UP ALARM	372-373
BEACON	374-375
BLOCK HEATER	376-377
BOB-TACH LEVERS	378-379

T190 CONTENTS (Cont'd)

ACCESSORIES & OPTIONS (Cont'd)	368-537
BUCKET POSITIONING VALVE KIT	380-383
BUCKET POSITIONING VALVE	384-385
CAB DOOR	386-403
CAB ENCLOSURE	404-407
CAB WINDOWS	408-411
DECALS	412-415
DELUXE CAB	416-417
DUAL BATTERY KIT	418-421
* DUAL DAMPENER KIT	422-423
ELECTRICAL CONNECTOR KIT	424-425
ELECTRICAL CONTROLS KIT	426-435
ENGINE MOUNT KIT	436-437
EUROPEAN ACCESSORIES	438-443
FIRE EXTINGUISHER	444-445
F.O.P.S. KIT	446-447
FLASHER LIGHTS	448-449
FRONT AUXILIARY	450-451
GAS SPRING KIT	452-453
HEATER & A/C	454-479
HORN KIT	480-481
LIFT LIT	482-485
LIGHT KIT	486-487
MUFFLER/PURIFIER KIT	488-489
POWER BOB-TACH KIT	490-493
POWER BOB-TACH	494-501
REAR AUXILIARY	502-513
REAR AUXILIARY VALVE	514-517
REAR DOOR LOCK	518-519
REAR WIPER	520-521
SEAL ENCLOSURE KIT	522-523
SEAT	524-527
SEAT BELT	528-531
SOUND REDUCTION HARDHAT	532-533
STROBE LIGHT	534-535
BULK ITEMS	536-537
NUMERICAL INDEX	538-598
NUMERICAL INDEX	538-598

MAIN FRAME



PE-1032

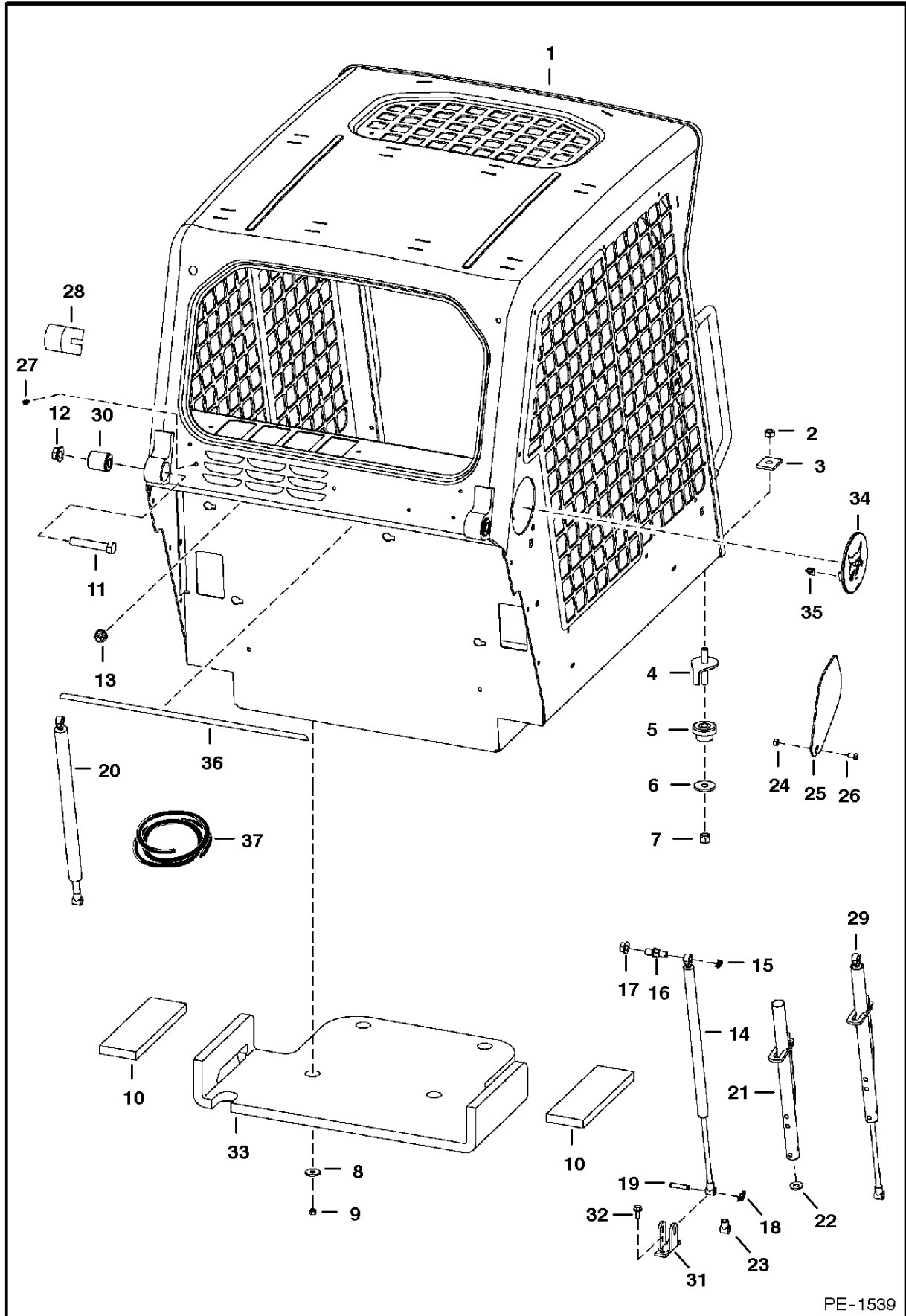
MAIN FRAME

Ref.N°	Part N°	Description	Remarks	Serial N°	Qty.
1	NAP	MAIN FRAME	Order 6733002 Main Frame and (2) of Ref. MAIN FRAME(15) (6719201 Cover) - reuse radiator grill hinge parts bolted to old main fr	5193 11001-14086	1
1				5194 11001-12189	1
1	6733002	MAIN FRAME		5193 14087 & Abv	1
1				5194 12190 & Abv	1
1				5270 11001 & Abv	1
2		REAR DOOR	See Page REAR DOOR(1) & See Page REAR DOOR(1)		1
3	84G-3712	BOLT			21
4	6717278	BUSHING	weld on		2
5	6717277	BUSHING	weld on		2
6	6717356	BUSHING	weld on		2
7	6717357	BUSHING	weld on	5193 12065 & Bel	2
7				5194 11185 & Bel	2
7	6731578	BUSHING	weld on	5193 12066 & Abv	2
7				5194 11186 & Abv	2
7				5270 11001 & Abv	2
8	83D-8	NUT		5193 12065 & Bel	26
8				5194 11185 & Bel	26
8	83D-8	NUT		5193 12066 & Abv	28
8				5194 11186 & Abv	28
8				5270 11001 & Abv	28
9	6726063	SHIELD	lever		2
10	6717359	BUSHING	weld on	5193 12065 & Bel	2
10				5194 11185 & Bel	2
10	6731578	BUSHING	weld on	5193 12066 & Abv	2
10				5194 11186 & Abv	2
10				5270 11001 & Abv	2
11	6717358	BUSHING	weld on		2
12	6708987	BRACKET	hinge - weld on		2
13	31C-820	BOLT		5193 12065 & Bel	26
13				5194 11185 & Bel	26
13	31C-820	BOLT		5193 12066 -	24
13				5194 11186 -	24
13	31C-820	BOLT		5193 & Abv	16
13				5194 & Abv	16
13				5270 11001 & Abv	16
14	61D-6	NUT			2
15	6706808	COVER		5193 11001-14086	2
15				5194 11001-12189	2
15	6719201	COVER		5193 14087 & Abv	2
15				5194 12190 & Abv	2
15				5270 11001 & Abv	2
16	6718796	PLUG			2
17	6726064	SHIELD	R.H.		1
17	6726065	SHIELD	L.H.		1
18	31C-828	BOLT		5193 12066-	2
18				5194 11186-	2
18	31C-828	BOLT		5193 & Abv	10
18	31C-828	BOLT		5194 & Abv	10
18				5270 11001 & Abv	10
19	6718994	MOUNT	weld on	5193 12065 & Bel	2
19				5194 11185 & Bel	2
20	6732225	SPACER	tube	5193 12066 & Abv	2
20				5194 11186 & Abv	2

MAIN FRAME

Ref.N°	Part N°	Description	Remarks	Serial N°	Qty.
20				5270 11001 & Abv	2
21	37C-888	BOLT		5193 12066 & Abv	2
21				5194 11186 & Abv	2
21				5270 11001 & Abv	2

OPERATOR CAB

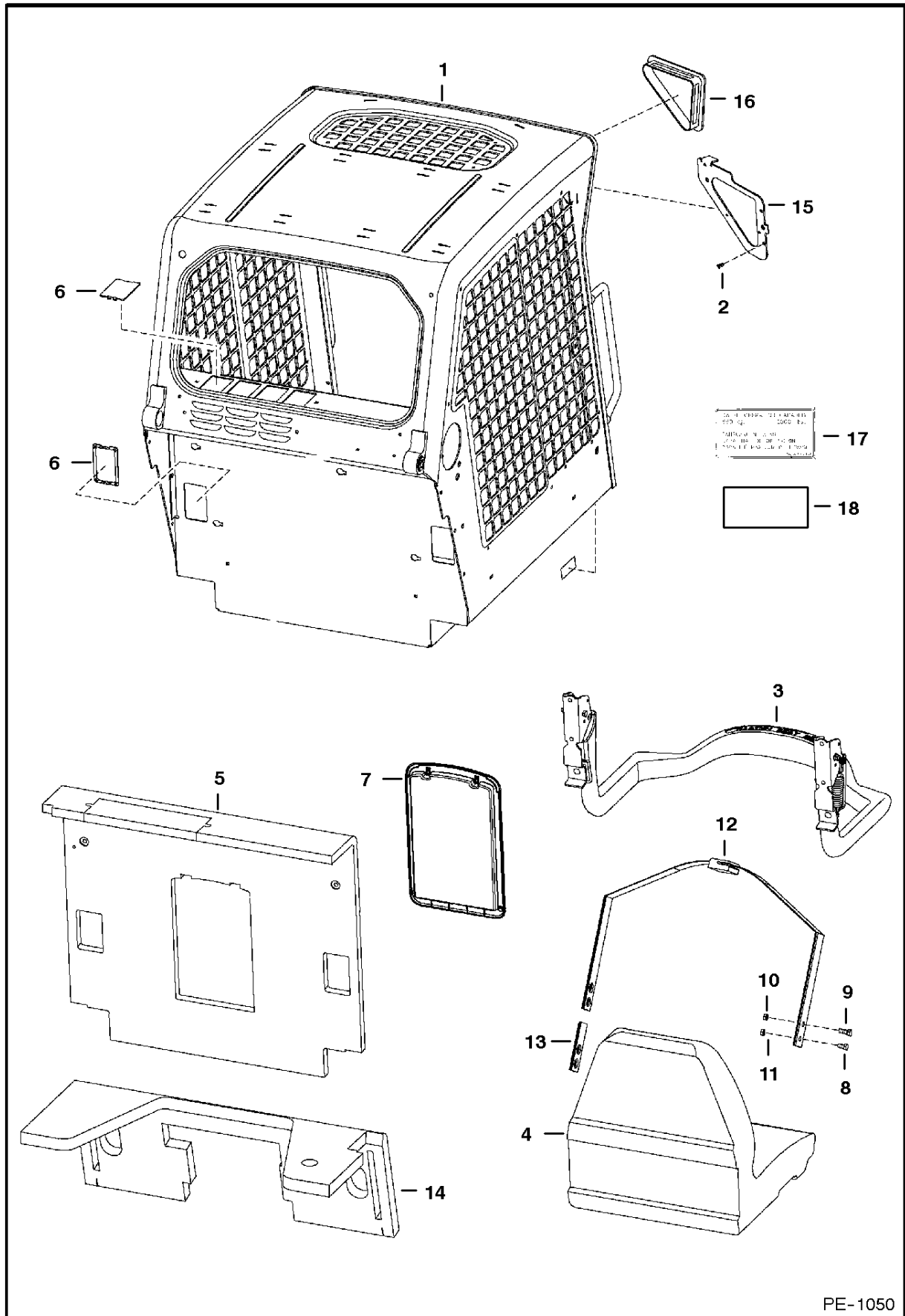


PE-1539

OPERATOR CAB

Ref.N°	Part N°	Description	Remarks	Serial N°	Qty.
1	6719672	OPERATOR CAB	includes cab decals		1
2	59D-8	NUT			2
3	6553709	WASHER	rectangular		2
4	6702971	BOLT			2
5	6560633	MOUNT			2
6	6515817	WASHER			2
7	85D-8	NUT			2
8	619021	WASHER			4
9	59D-5	NUT			4
10	6729012	INSULATION	seat pan		2
11	17C-1056	BOLT			2
12	53D-10	NUT			2
13	53D-6	NUT			4
14	6675135	GAS SPRING	R.H.		1
15	6675140	SNAP RING			2
16	6719064	MOUNT			2
17	97D-8	NUT	Was 95D-8 [B]		2
18	6631418	PIN	ring		2
19	6567743	PIN			2
20	6675134	GAS SPRING	L.H.		1
20	6675136	GAS SPRING	L.H. - heavy duty		1
21	6708189	TUBE	stop - R.H.		1
22	6701174	WASHER			1
23	6675257	ROD END			1
24	95D-5	NUT			2
25	6718784	COVER			2
26	25G-512	BOLT			2
27	6675033	INSERT			2
28	6579613	STOP			2
29	NAP	GAS SPRING	R.H. - W/latch - Order Ref. OPERATOR CAB(14) & OPERATOR CAB(21)-OPERATOR CAB(23)		1
30	6562602	BUSHING			2
31	6706349	MOUNT	gas spring		2
32	84G-3112	BOLT			4
33	6729013	INSULATION	seat pan		1
34	6733107	PLUG	W/ Ref. OPERATOR CAB(35) (3)		2
35	6679990	CLIP			6
36	NAP	SEAL	31'(787,4 mm) long - Order Ref. OPERATOR CAB(37)		1
37	6679994	SEAL	bulk - Sold Per Foot		x

OPERATOR CAB

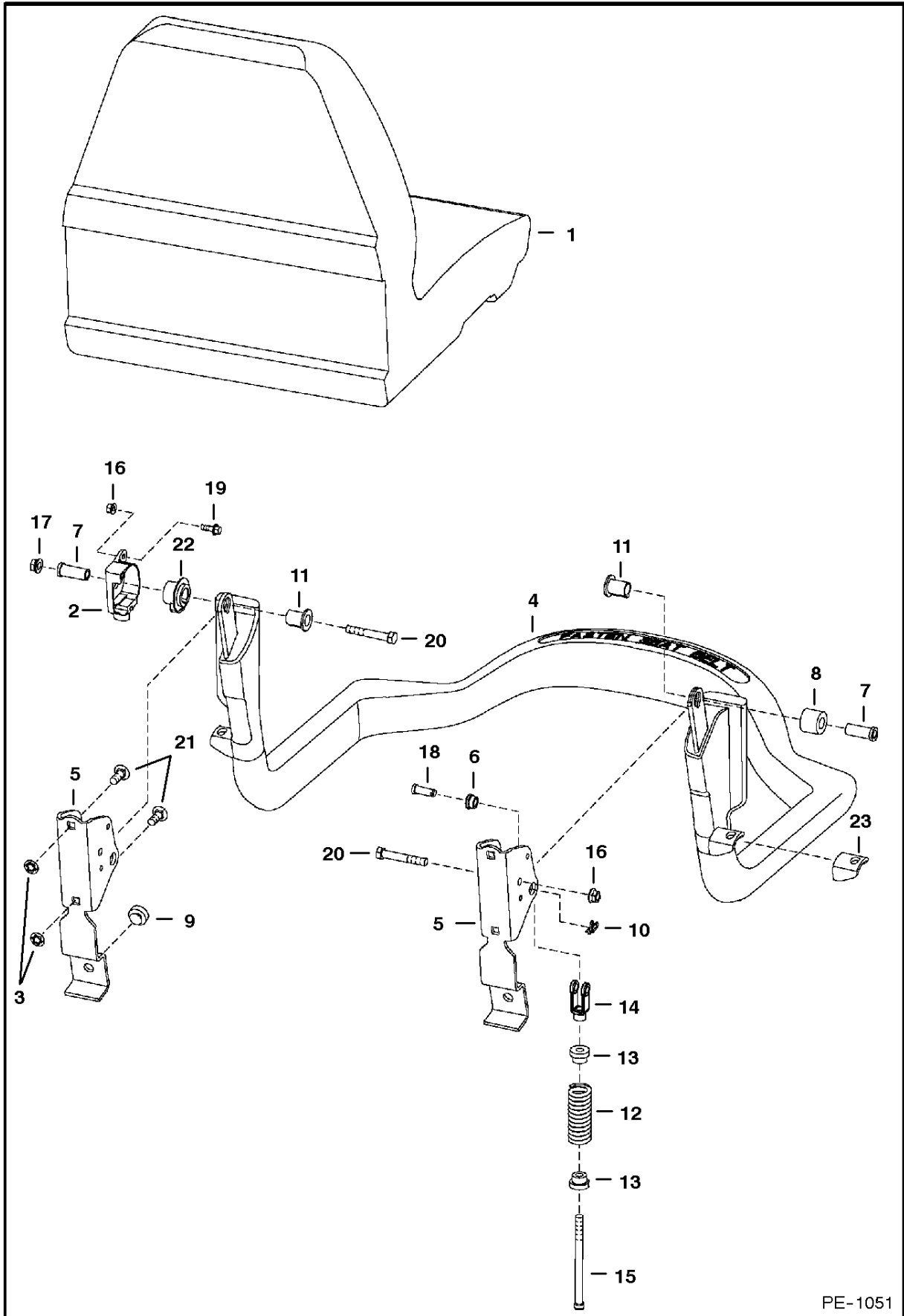


PE-1050

OPERATOR CAB

Ref.N°	Part N°	Description	Remarks	Serial N°	Qty.
1	6719672	OPERATOR CAB	includes cab decals		1
2	6675033	INSERT	See Page CAB ELECTRICAL CIRCUITRY(1)		6
3	6715860	SEAT BAR	See Page SEAT & SEAT BAR(1)		1
4	6669135	SEAT	See Page SEAT(1)		1
5	6719504	INSULATION	W/Ref. OPERATOR CAB(7)		1
6	6718101	COVER			6
7	6719503	CONTAINER	manuals		1
7	6675524	CLIP			2
7	6725301	COVER			1
7	6725303	FRAME			1
8	17C-612	BOLT			2
9	17C-716	BOLT			2
10	85D-7	NUT			2
11	85D-6	NUT			2
12	6675074	SEAT BELT	W/O spring plates		1
13	6725373	SPRING PLATE	(2
14	6718489	INSULATION	steering panel		1
15	NSS	PLATE	R.H. - weld on		1
15	NSS	PLATE	L.H. - weld on		1
16	6674403	COVER	no lights		2
17	6710449	DECAL	load		1
18	6804790	DECAL	capacity		1

SEAT & SEAT BAR

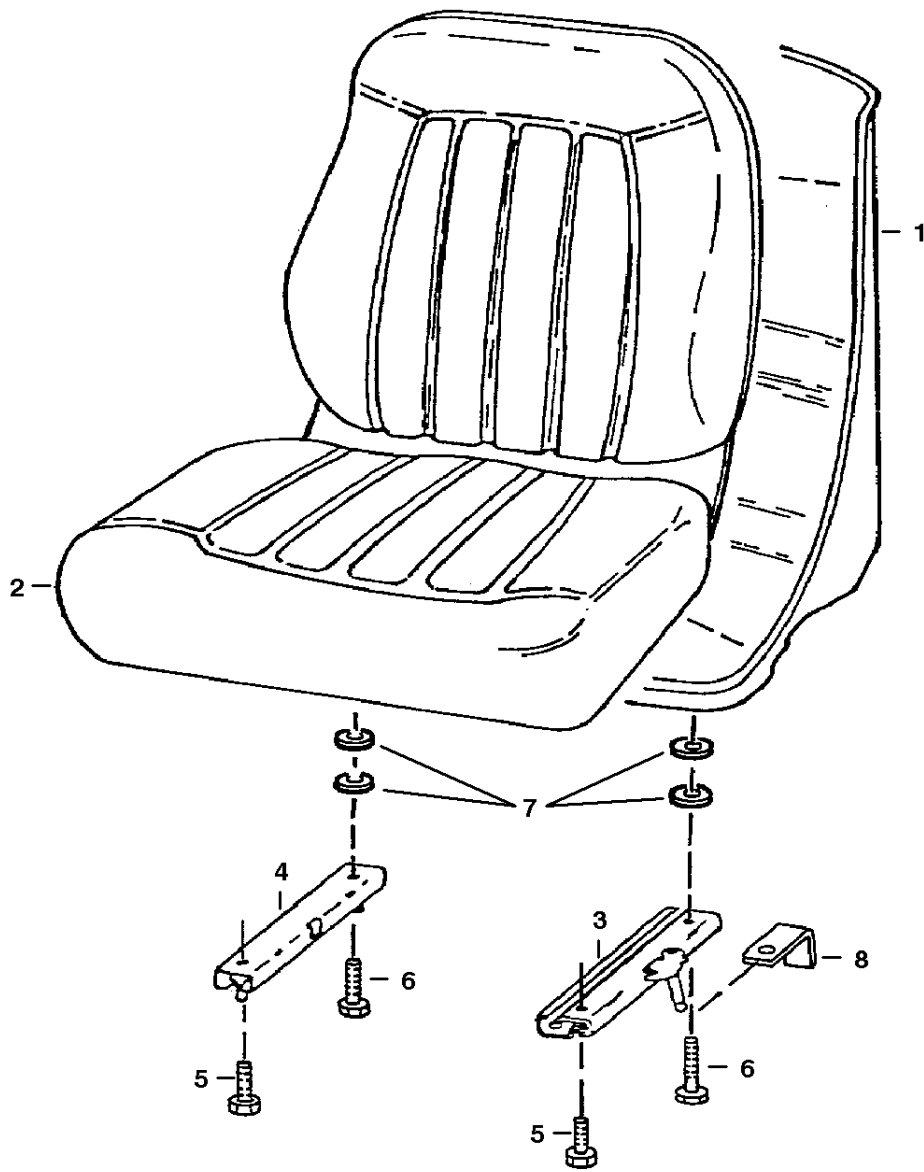


PE-1051

SEAT & SEAT BAR

Ref.N°	Part N°	Description	Remarks	Serial N°	Qty.
1	6669135	SEAT	See Page SEAT(1)		1
2	6680429	SENSOR	Was 6674406 [A]		1
3	6684033	NUT	Was 6674894 [A]		4
4	6715860	SEAT BAR			1
5	6715863	BRACKET			1
6	6715864	BUSHING			2
7	6715865	BUSHING			2
8	6715866	BUSHING			1
9	6519178	BUMPER			2
10	6631418	PIN	ring		2
11	6680441	BUSHING	keyed - Was 6664882 [A]		2
12	6701535	SPRING			2
13	6710659	BUSHING			2
14	6713589	CLEVIS			2
15	6713887	BOLT			2
16	83D-4	NUT			1
17	53D-6	NUT			2
18	4F-6106	PIN			2
19	35C-412	BOLT			1
20	17C-640	BOLT			2
21	10C-616	BOLT			4
22	6680443	BUSHING	Was 6674405 [A]		1
23	NAP	MOUNT	Order Ref. SEAT & SEAT BAR(4)		1

**SEAT
(Michigan)**

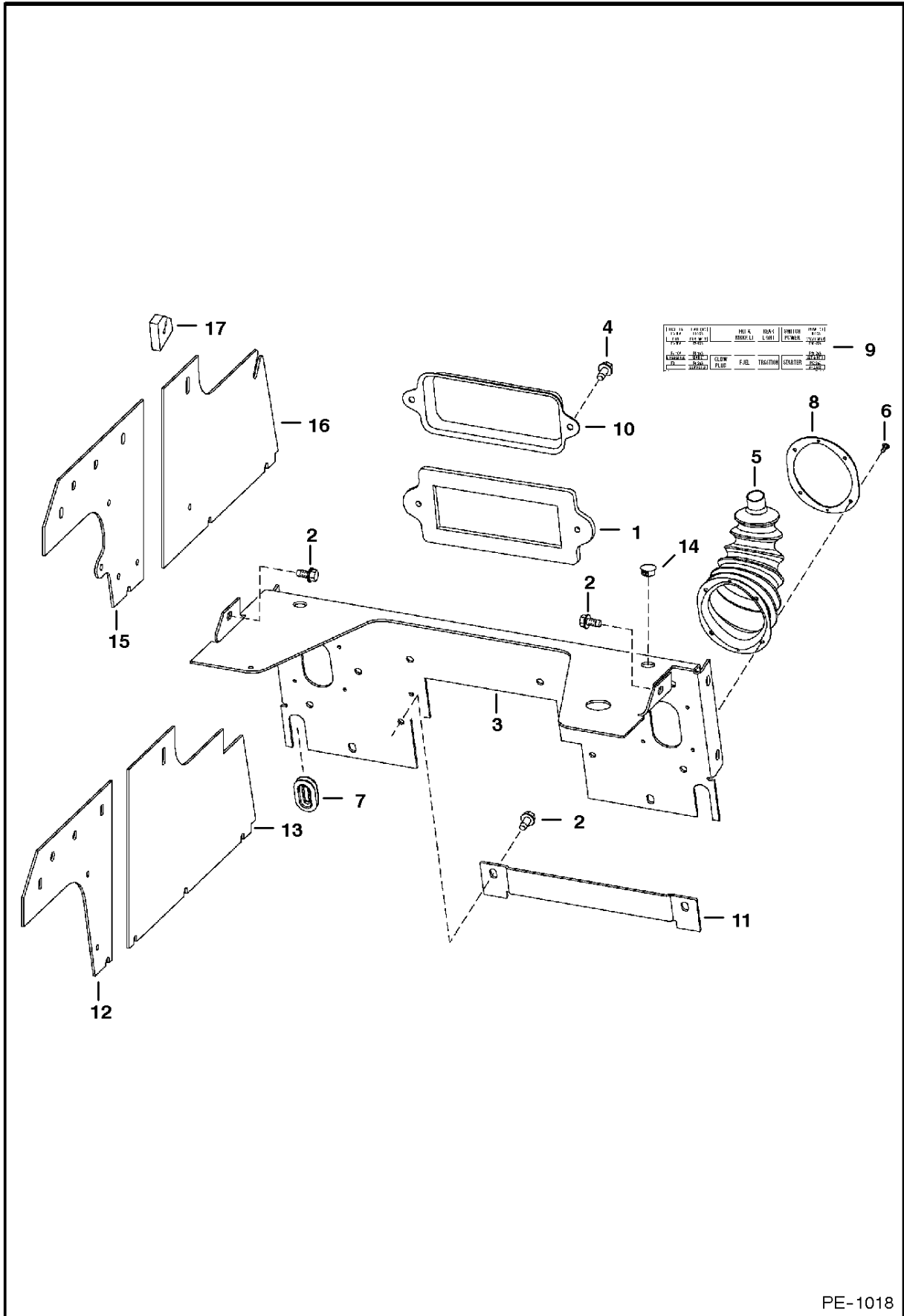


B-14720

SEAT

Ref.N°	Part N°	Description	Remarks	Serial N°	Qty.
1	6669135	SEAT	W/Ref. SEAT(2)-SEAT(7)		1
2	6670160	CUSHION	W/edging, clip & (2) grommets		1
2	NSS	EDGING			1
2	NSS	CLIP			1
3	6674013	TRACK	L.H. - W/ Latch		1
4	6669089	TRACK	R.H. - W/O Latch		1
5	25G-512	BOLT			2
6	25G-520	BOLT			2
7	7000010	SPACER			4
8	6668953	BRACKET			2

PANELS

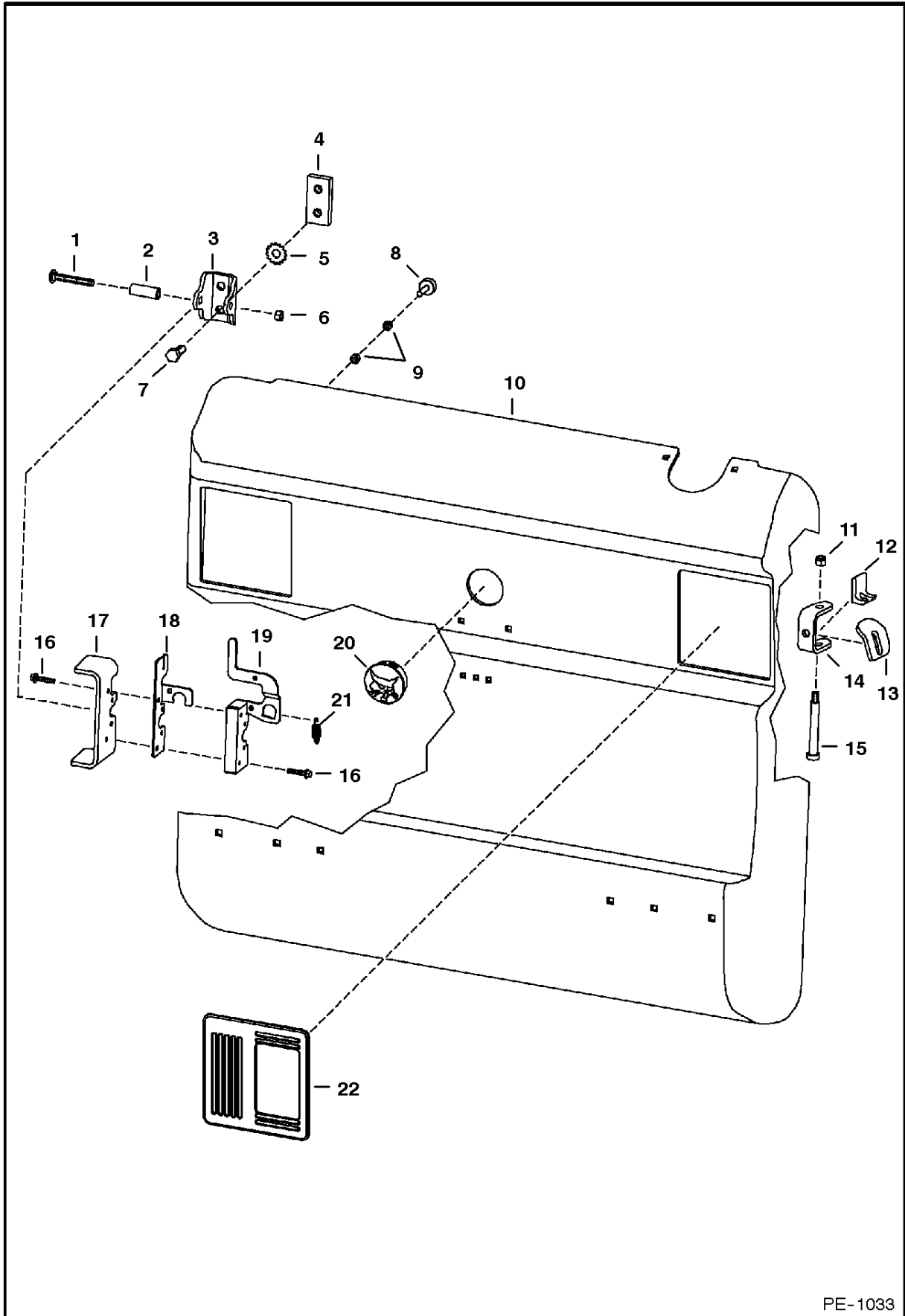


PE-1018

PANELS

Ref.N°	Part N°	Description	Remarks	Serial N°	Qty.
1	6725302	GASKET			1
2	84G-3712	BOLT		5193 13822 & Bel	16
2				5194 12144 & Bel	16
2	84G-3712	BOLT		5193 13823 & Abv	14
2				5194 12145 & Abv	14
2				5270 11001 & Abv	14
3	6717208	SHIELD			1
4	84G-3112	BOLT			2
5	6532127	BOOT	W/Ref. PANELS(8)		2
6	6630207	RIVET			12
7	6577961	GROMMET			2
8	NAP	PLATE	Order Ref. PANELS(5)		2
9	6718774	DECAL	fuse/relay		1
10	6716621	COVER	fuse/relay		1
10	6736071	KIT	extreme condition - W/decal and insulation		1
10	6718774	DECAL	fuse/relay		1
10	6731275	INSULATION			1
11	6717890	COVER			1
12	6717207	PANEL	side rear	5193 13822 & Bel	2
12				5194 12144 & Bel	2
13	6717313	PANEL	side front	5193 13822 & Bel	2
13				5194 12144 & Bel	2
14	6657719	PLUG	for .75' dia. hole		2
14	6648348	PLUG	for .812' dia. hole		2
15	6732620	PANEL	side rear	5193 13823 & Abv	2
15				5194 12145 & Abv	2
15				5270 11001 & Abv	2
16	6732621	PANEL	side front	5193 13823 & Abv	2
16				5194 12145 & Abv	2
16				5270 11001 & Abv	2
17	6733529	SEAL		5193 13823 & Abv	2
17				5194 12145 & Abv	2
17				5270 11001 & Abv	2

REAR DOOR

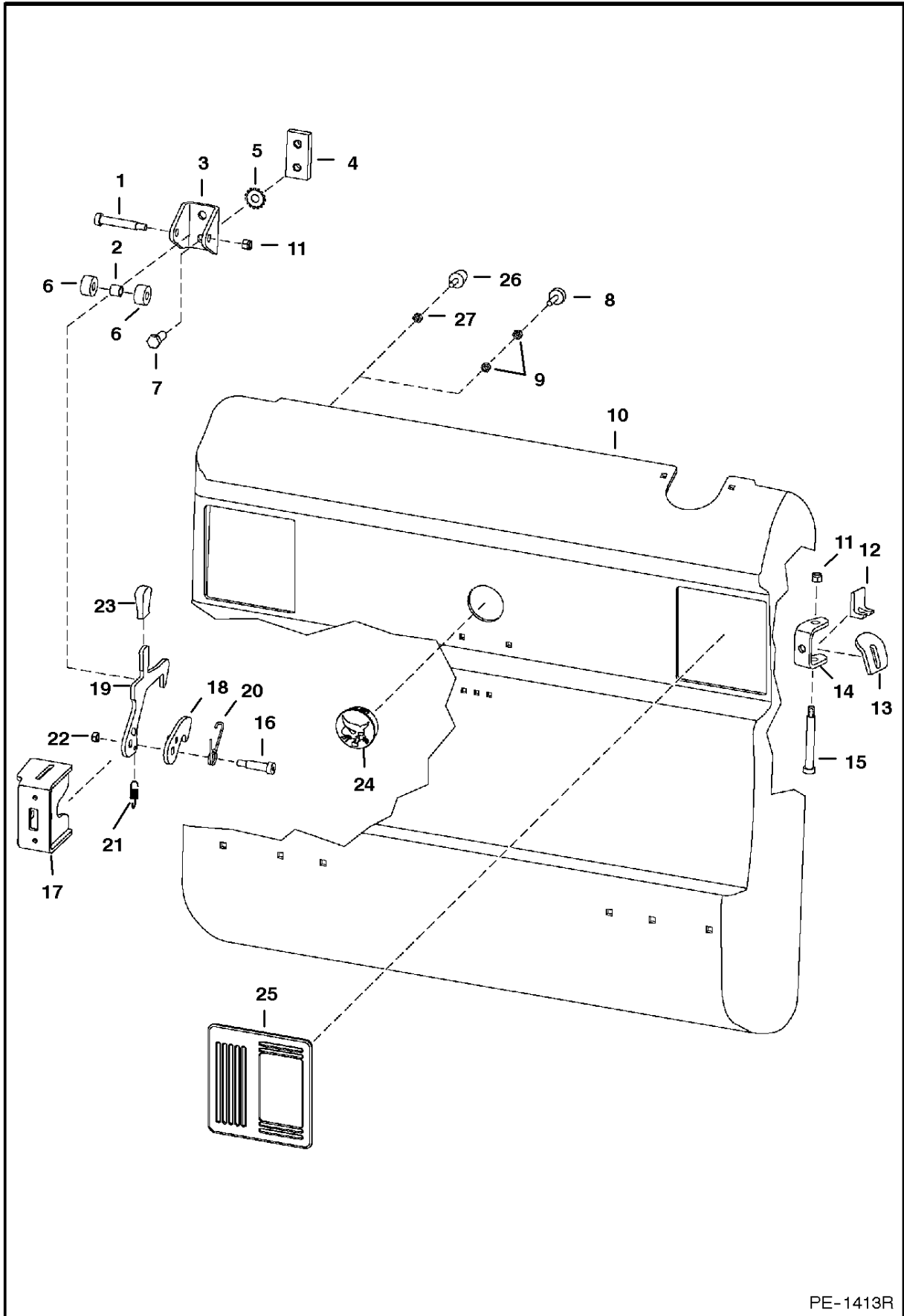


PE-1033

REAR DOOR

Ref.N°	Part N°	Description	Remarks	Serial N°	Qty.
1	37C-644	BOLT	carriage		1
2	6719550	TUBE	striker		1
3	6719524	STRIKER			1
4	6719525	BAR	threaded striker		1
5	6675273	WASHER	lock		2
6	61D-6	NUT			2
7	17C-820	BOLT			2
8	6655399	BUMPER			2
9	61D-5	NUT			4
10	6711524	REAR DOOR			1
11	59D-6	NUT			2
12	6719766	STOP			1
13	6714126	DOOR STOP			1
14	6733575	HINGE	weld on - Was 6711526 [A]		2
15	6809845	SCREW	Was 38C-856 [B]		2
16	31C-420	BOLT			4
17	6711527	LATCH PLATE	weld on		1
18	6711664	GUIDE	latch		1
19	6670867	LATCH			1
20	6718796	PLUG			1
21	6714210	SPRING			1
22	6670287	COVER			2

REAR DOOR

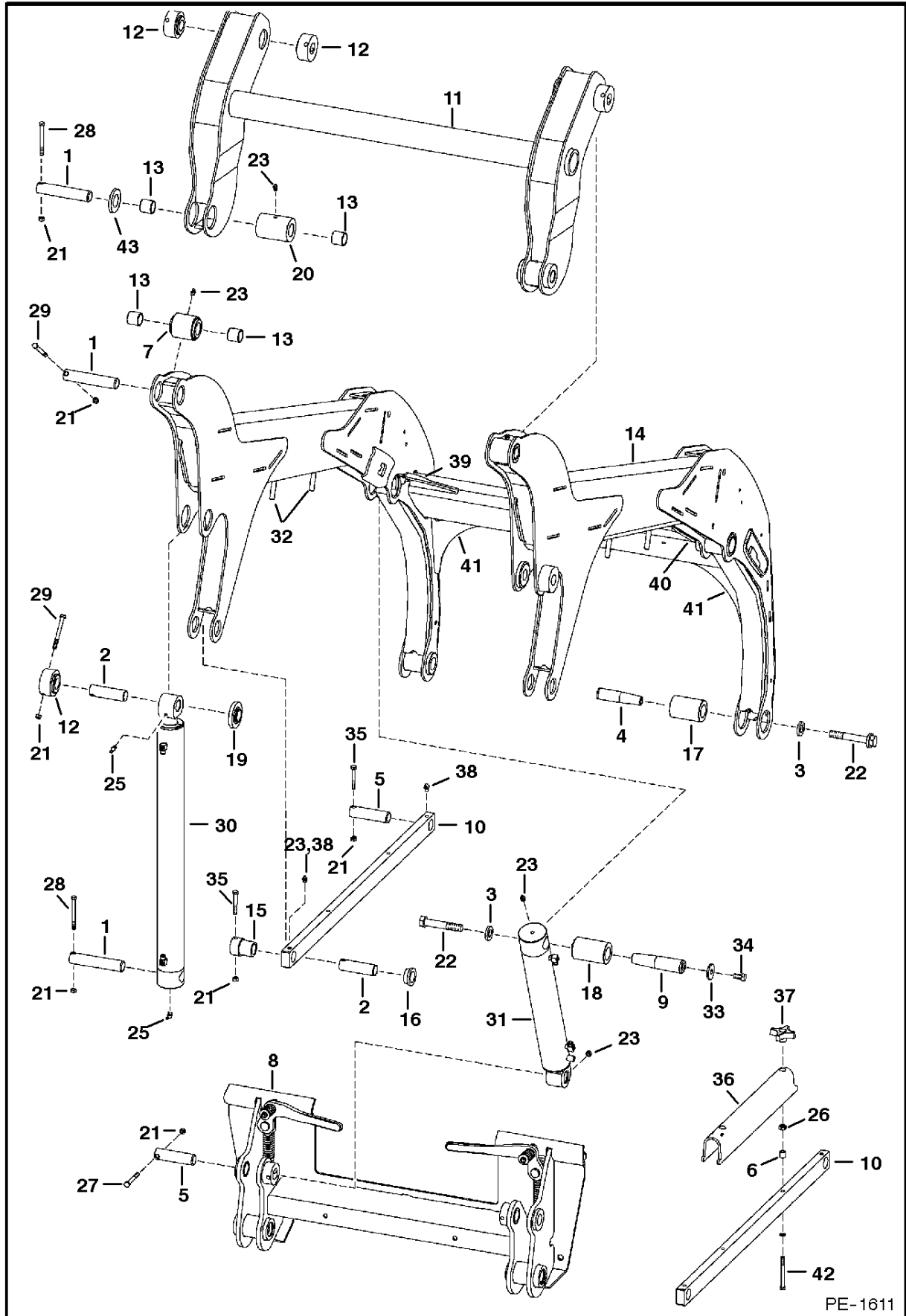


PE-1413R

REAR DOOR

Ref.N°	Part N°	Description	Remarks	Serial N°	Qty.
1	38C-840	BOLT	carriage		1
2	6809734	BUSHING			1
3	6809727	CHANNEL			1
4	6719525	BAR	threaded striker		1
5	6675273	WASHER	lock		2
6	6809726	ROLLER			2
7	17C-820	BOLT			2
8	6655399	BUMPER	flat - Use W/Ref. REAR DOOR(10) (NAP/Rear Door)		2
9	61D-5	NUT			4
10	NAP	REAR DOOR	W/two hole bumper brace -Order 6729991 Rear Door & (2) of Ref. REAR DOOR(26) - Was 6729991 [A]		1
10	6729991	REAR DOOR	W/one hole bumper brace		1
11	59D-6	NUT			3
12	6719766	STOP			1
13	6714126	DOOR STOP		& Bel	1
13	6714126	DOOR STOP		& Abv	2
14	6733575	HINGE	weld on - Was 6711526 [A]		2
15	6809845	SCREW	Was 38C-856 [B]		2
16	38C-824	SCREW			1
17	6729939	LATCH PLATE	weld on		1
18	6733667	LATCH	Was 6811910 [A]		1
19	6732715	LATCH	Was 6729685 [A]		1
20	6810132	SPRING			1
21	6810141	SPRING			1
22	85D-6	NUT			1
23	6564452	GRIP			1
24	6718796	PLUG			1
25	6670287	COVER			2
26	6733616	BUMPER	tapered - Use W/Ref. REAR DOOR(10) (6729991 Rear Door)		2
27	61D-5	NUT			2

LIFT ARMS & BOBTACH



PE-1611

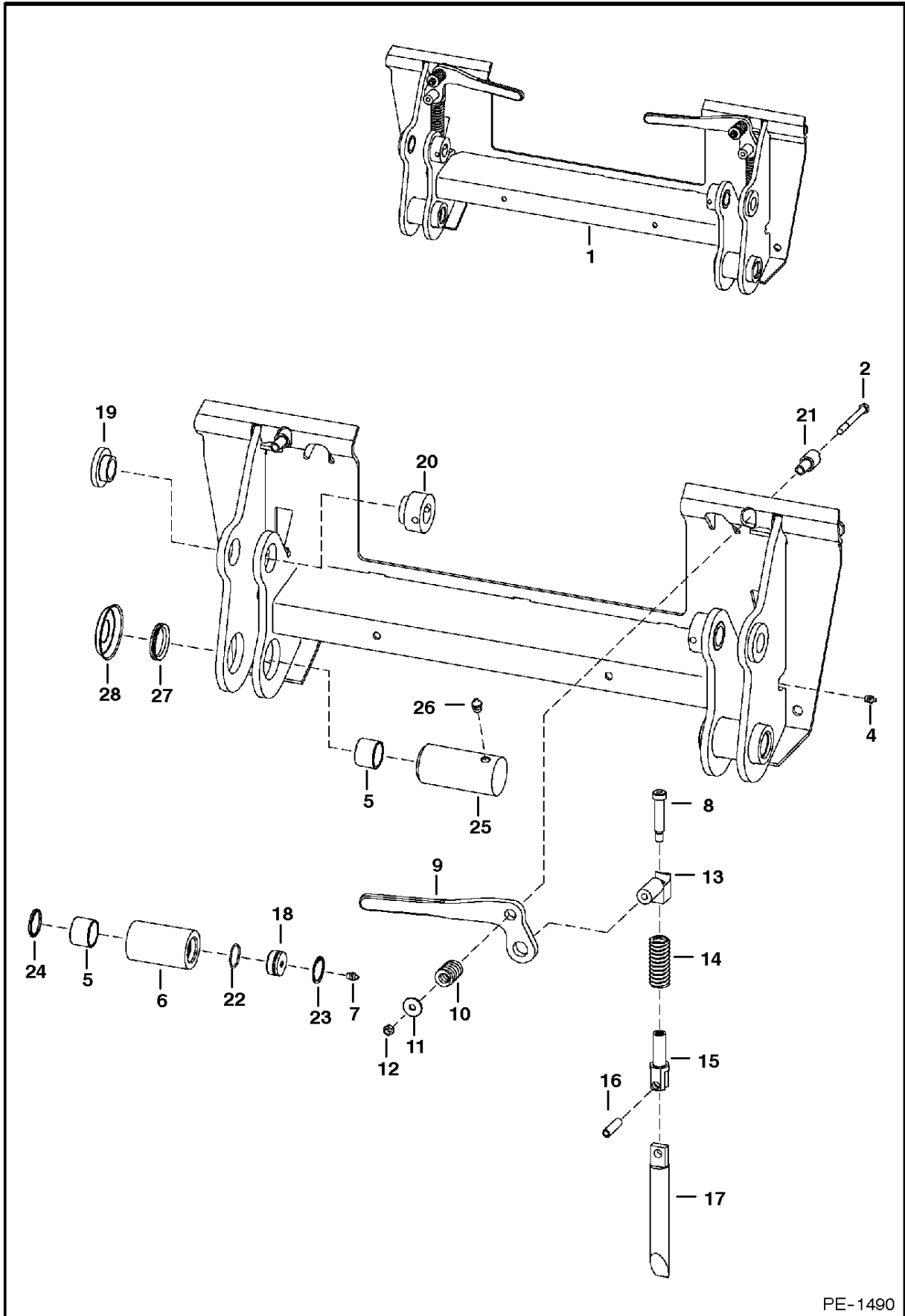
LIFT ARMS & BOBTACH

Ref.N°	Part N°	Description	Remarks	Serial N°	Qty.
1	6717560	PIN	1.25' x 6.20'(31,8mm x 157,5mm)		6
2	6718789	PIN	1.25' x 4.24'(31,8mm x 107,7mm)		4
3	6576033	WASHER	.15' thickness x 1.5' O.D.		4
3	6718723	WASHER	.25' thickness x 1.625 ' O.D. - Use W/Ref. LIFT ARMS & BOBTACH(22)(17C-1272 Bolt)	& Bel	4
3	27E-10	WASHER	Use W/Ref. LIFT ARMS & BOBTACH(22)(17C-1080 Bolt)	& Abv	4
4	6717536	PIN	tapered - 1.5' x 4.65 or 4.8' - (38,1 mm x 118,1 or 121,9 mm)	& Bel	2
4	6734661	PIN	tapered - 1.5' x 4.17' - (38,1 mm x 105,6 mm)	& Abv	2
5	6577954	PIN			4
6	6532347	SPACER	Was 6718816 [A]		2
7	6717039	BUSHING	weld on		2
8		BOB-TACH	See Page BOB-TACH(1)		2
9	6717486	PIN	tapered - 1.5' x 6.2' - (38,1 mm x 157,5 mm)	& Bel	2
9	6734662	PIN	tapered - 1.5' x 5.7' - (38,1 mm x 144,8 mm)	& Abv	2
10	6727863	ROD LINK			2
11	NAP	FRAME LINK	Order 6732264 Frame Link & (2) of Ref. LIFT ARMS & BOBTACH(43) - Was 6727862 [A]	5193 12065 & Bel	1
11				5194 11185 & Bel	1
11	6732264	FRAME LINK		5193 12066 & Abv	1
11				5194 11186 & Abv	1
11				5270 11001 & Abv	1
12	6717246	BUSHING	weld on		6
13	6717562	BUSHING	wear		8
14	NAP	LIFT ARM	Order 6737182 Lift Arm, 6735669 Boom Step & (2) each of Ref. LIFT ARMS & BOBTACH(3) (27E-10 Washer) , Ref. LIFT ARMS & BOBTACH(& Bel	1
14	6737182	LIFT ARM		& Abv	1
15	6717026	BUSHING	weld on		2
16	6717025	BUSHING	weld on		2
17	6717037	BUSHING	weld on - W/tapered hole for Ref. LIFT ARMS & BOBTACH(4)(6717536 Pin)	& Bel	2
17	6735662	BUSHING	weld on - W/tapered hole for Ref. LIFT ARMS & BOBTACH(4)(6734661Pin)	& Abv	2
18	6729819	BUSHING	weld on - Use W/Ref. LIFT ARMS & BOBTACH(14) (NAP/6729824 Lift Arm)	& Bel	2
18	6734660	BUSHING	Use W/Ref. LIFT ARMS & BOBTACH(14) (6737182 Lift Arm)	& Abv	2
19	6717041	BUSHING	weld on		2
20	6726897	BUSHING	weld on - 3.625'(92,1 mm) wide	5193 12065 & Bel	2
20				5194 11185 & Bel	2
20	6732265	BUSHING	weld on - 3.80'(96,5 mm) wide	5193 12066 & Abv	2
20				5194 11186 & Abv	2
20				5270 11001 & Abv	1
21	85D-6	NUT			14
22	17C-1272	BOLT	Use W/Ref. LIFT ARMS & BOBTACH(4) (6717536 Pin) & Ref. LIFT ARMS & BOBTACH(9) (6717486 Pin)	& Bel	4
22	17C-1080	BOLT	Use W/Ref. LIFT ARMS & BOBTACH(4) (6734661 Pin) & Ref. LIFT ARMS & BOBTACH(9) (6734662 Pin)	& Abv	4
23	10H-25	GREASE ZERK		& Bel	10
23	10H-25	GREASE ZERK		& Abv	8
24	11H-25	GREASE ZERK			2
25	11H-15	GREASE ZERK			4
26	6718942	NUT			2
27	17C-648	BOLT			2
28	17C-660	BOLT			4
29	17C-656	BOLT			4
30		CYLINDER	lift - See Page LIFT CYLINDER(1)		2

LIFT ARMS & BOBTACH

Ref.N°	Part N°	Description	Remarks	Serial N°	Qty.
31	6809802	CYLINDER	tilt - See Page TILT CYLINDER(1)		2
32	1313995	STUD	weld on		4
33	6515817	WASHER	Use W/Ref. LIFT ARMS & BOBTACH(34) (17C-816 Bolt)	& Bel	2
33	6731160	WASHER	Use W/Ref. LIFT ARMS & BOBTACH(34) (17C-1016 Bolt)	& Abv	2
34	17C-816	BOLT	Use W/Ref. LIFT ARMS & BOBTACH(9) (6717486 Pin)	& Bel	2
34	17C-1016	BOLT	Use W/Ref. LIFT ARMS & BOBTACH(9) (6734662 Pin)	& Abv	2
35	17C-640	BOLT			4
36	6718312	STOP	lift arm		1
37	6679130	KNOB	Was 6675358 [A]		2
38	12H-15	GREASE ZERK		& Bel	2
38	12H-15	GREASE ZERK		& Abv	8
39	6718880	GUSSET	R.H.		1
40	6718879	GUSSET	L.H.		1
41	6717961	GUSSET			2
42	6730290	BOLT	stainless steel		2
43	6732280	SHIM	.175' thickness	5193 12065 & Bel	2
43				5194 11185 & Bel	2

BOB-TACH

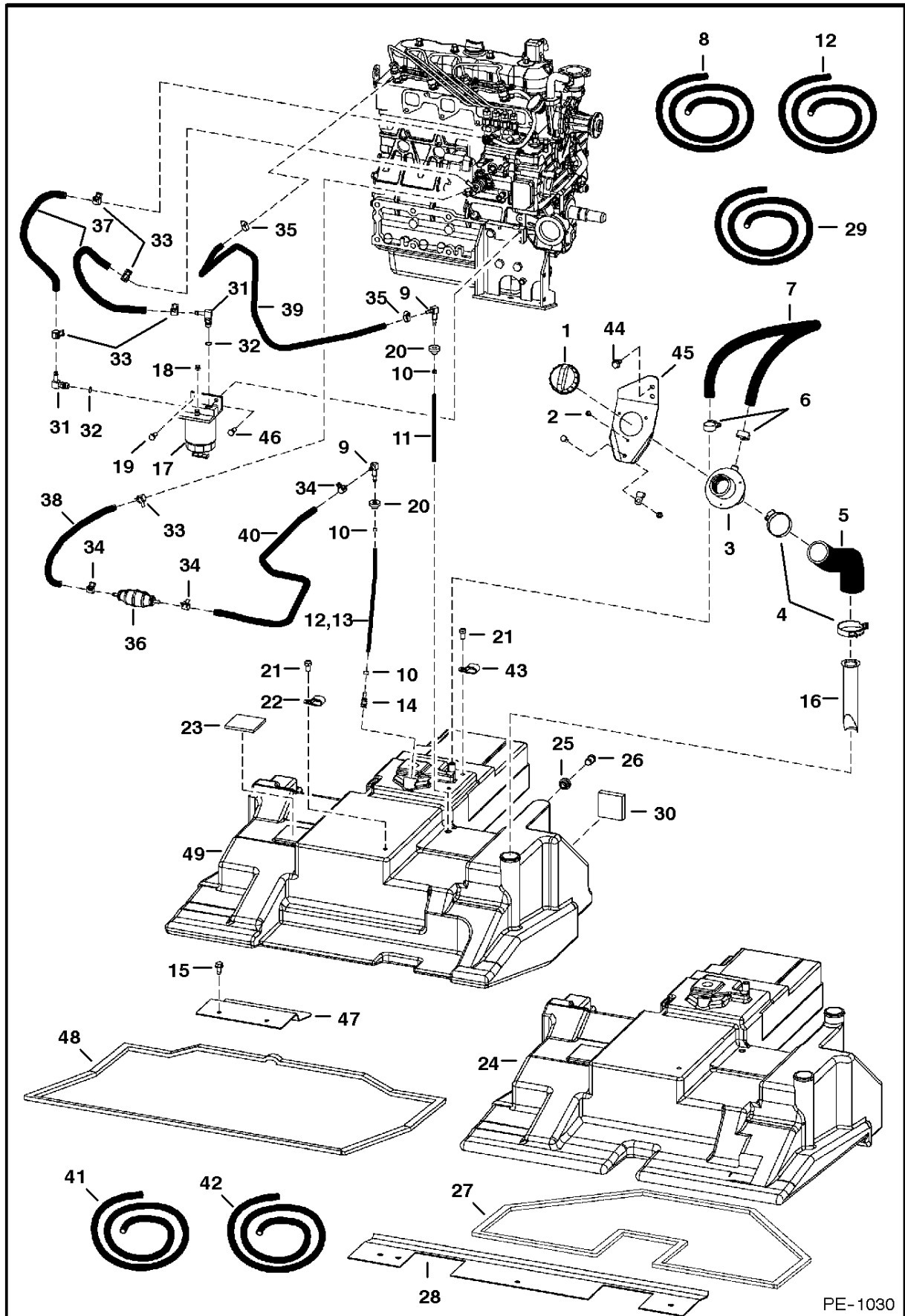


PE-1490

BOB-TACH

Ref.N°	Part N°	Description	Remarks	Serial N°	Qty.
1	NAP	BOB-TACH	Ref. BOB-TACH (2) - BOB-TACH (24) - Order 6732537 (Bob-Tach, (2) ea. of Ref. BOB-TACH (27) & BOB-TACH (28) & 6561383 Decal (1) -		1
1	6732537	BOB-TACH	Ref. BOB-TACH (2) - BOB-TACH (17), BOB-TACH (19) - BOB-TACH (21), BOB-TACH (25) & BOB-TACH (26)		1
2	17C-660	BOLT			2
3	NAP	FRAME			1
4	10H-35	GREASE ZERK			2
5	6730997	BUSHING	Press Fit - Was 711273 [A]		2
6	NAP	BUSHING	weld on - 2.50'(57,2 mm) O.D. x 4.06'(103,1 mm) long - Order (Ref. BOB-TACH (5), BOB-TACH (25) & BOB-TACH (26) - Was 6725295 [2
7	10H-25	GREASE ZERK			2
8	6728473	SCREW	shoulder - Was 38C-1036 [A]		2
9	6702904	LEVER	R.H.		1
9	6702903	LEVER	L.H.		1
10	6713040	SPRING			2
11	619021	WASHER			2
12	85D-6	NUT			2
13	6714576	PIVOT	Was 6704240 [B,D]		2
14	6562018	SPRING			2
15	6704248	PIVOT	wedge		2
16	14J-5032	PIN			2
17	6704242	WEDGE ASSY.			2
18	6725293	PLUG	1.55'(39,4 mm) O.D. x .75'(19,1 mm) long		2
19	6717259	BUSHING	weld on		2
20	6717260	BUSHING	weld on		2
21	6702958	BUSHING	weld on		2
22	25K-30112	O-RING			2
23	7JM-40	SNAP RING			2
24	6631067	SEAL			2
25	6731979	BUSHING	weld on - 2.50'(57,15mm) O.D. x 5.28'(134,11mm) long - Also Order Ref. BOB-TACH (5) & BOB-TACH (26)		2
26	743332	GREASE ZERK			2
27	6651709	SEAL			2
28	6732443	CUP	seal		2

FUEL SYSTEM



PE-1030

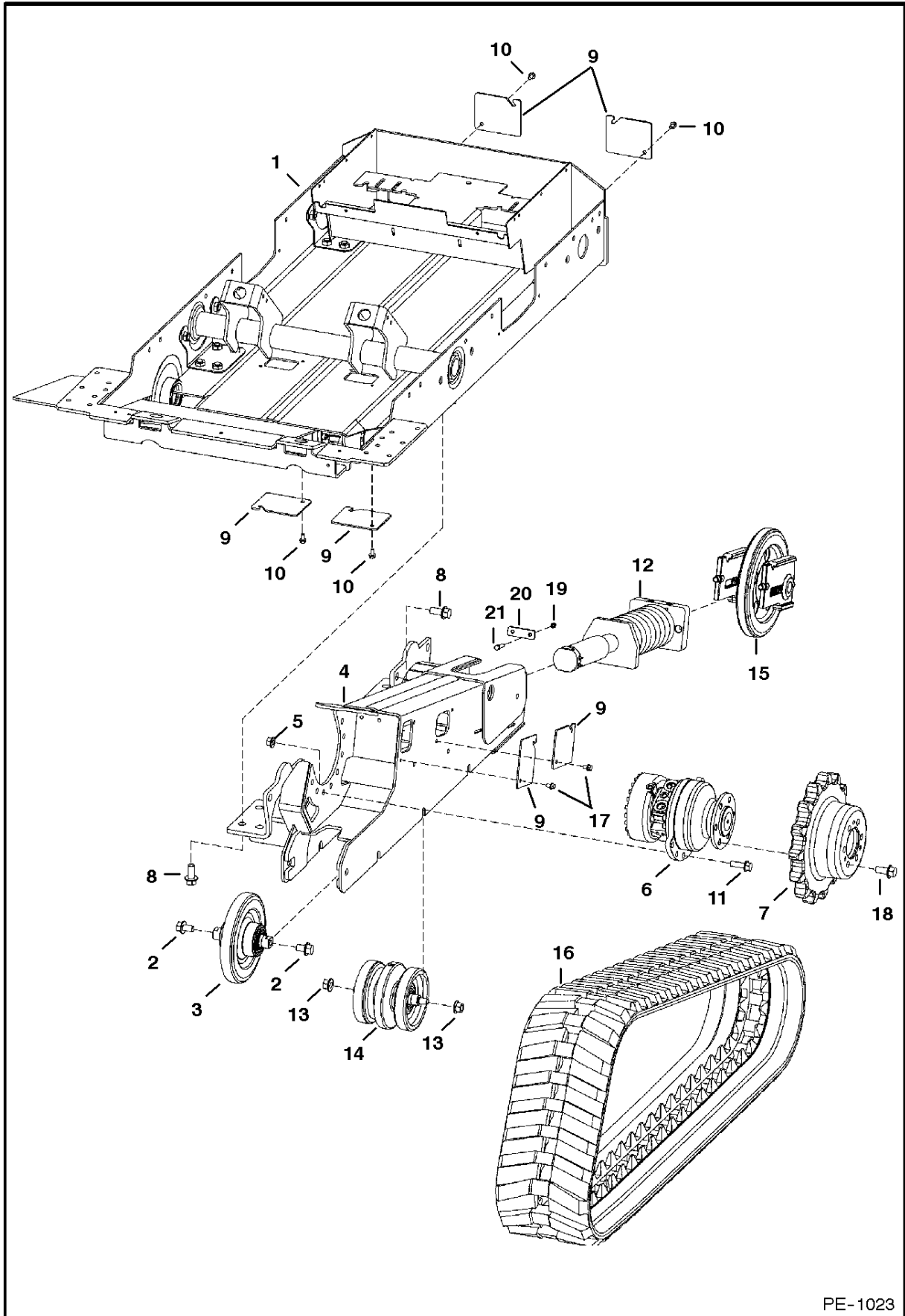
FUEL SYSTEM

Ref.N°	Part N°	Description	Remarks	Serial N°	Qty.
1	6661114	CAP	green - Was 6665423 [A]		1
1	6661696	FUEL CAP	(locking - W/key - Code PK510		1
1	6587458	KEY SET	Code PK510		1
2	6706517	SCREW			3
3	6701449	FILLER TUBE			1
4	42H-32	CLAMP	worm gear		2
4	5HM-58	CLAMP	constant tension		2
5	6717704	HOSE			1
6	42H-10	CLAMP	worm gear		2
6	5HM-24	CLAMP	constant tension		2
7	NAP	HOSE	(42'(1066,8 mm)long-Order Ref. FUEL SYSTEM(8)		x
8	6578172	HOSE	bulk - Sold Per Foot		x
9	6681462	ELBOW	Was 6598908 [A]		2
10	6661213	CLAMP			3
11	6730767	HOSE	7" (177,8 mm) long		1
12	6729854	HOSE	12.5'(317,5 mm) long		1
13	6726213	HOSE	10'(254,0 mm) long	& Bel	2
14	6650239	SCREEN		& Bel	1
15	84G-3712	BOLT			2
16	6569219	SCREEN			1
17	6667353	FILTER ASSY			1
17	6667352	FILTER			1
17	72F-1	DRAIN COCK			1
18	6658180	PLUG	breather		1
19	17C-512	BOLT			2
19	17C-516	BOLT	Used when Ref. ENGINE & ATTACHING PARTS(35) See Page ENGINE & ATTACHING PARTS(1) has threaded thru holes	& Bel	2
19	84G-3112	BOLT		& Abv	1
20	6553411	BUSHING			2
21	17C-610	BOLT			2
22	31H-27	CLAMP			1
23	6578278	PAD	self adhesive one side		2
24	6726204	TANK		5193 11001 & Abv	1
24				5194 11001 & Abv	1
25	6717402	BUSHING			1
26	6717401	PLUG	fuel drain		1
27	6726218	GASKET	.375' x .75' x 106.75' long	5193 11001 & Abv	1
27				5194 11001 & Abv	1
28	6717504	BRACKET		5193 11001 & Abv	1
28				5194 11001 & Abv	1
29	6578169	HOSE	bulk - Sold Per Foot		x
30	6704436	PAD			2
31	6715183	ELBOW	W/Ref. FUEL SYSTEM(32) - check boss face to determine correct replacement O-ring		2
32	99K-5	O-RING	tapered boss face		x
32	79K-5	O-RING	flat boss face		x
33	5HM-14	CLAMP			5
34	5HM-13	CLAMP			3
35	42HS-4	CLAMP			2
36	6657734	PUMP	hand primer		1
37	NAP	HOSE	13" (330,2 mm) long - Order Ref. FUEL SYSTEM(41)		2
38	NAP	HOSE	18"(457,2 mm)long-(Order Ref. FUEL SYSTEM(42)		1
39	NAP	HOSE	35" (889,0 mm) long - Order Ref. FUEL SYSTEM(42)		1
40	NAP	HOSE	53" (1346,2 mm) long - Order Ref. FUEL SYSTEM(29)		1
41	6577822	HOSE	bulk - Sold Per Foot		x

FUEL SYSTEM

Ref.N°	Part N°	Description	Remarks	Serial N°	Qty.
42	6577821	HOSE	bulk - Sold Per Foot		x
43	30H-36	CLAMP			1
44	84G-3716	BOLT			2
45	6731059	BRACKET			1
46	84G-3116	BOLT		& Abv	1
47	6737368	BRACKET		5270 11001 & Abv	1
48	6737760	GASKET		5270 11001 & Abv	1
49	6683303	TANK		5270 11001 & Abv	1

DRIVE TRAIN

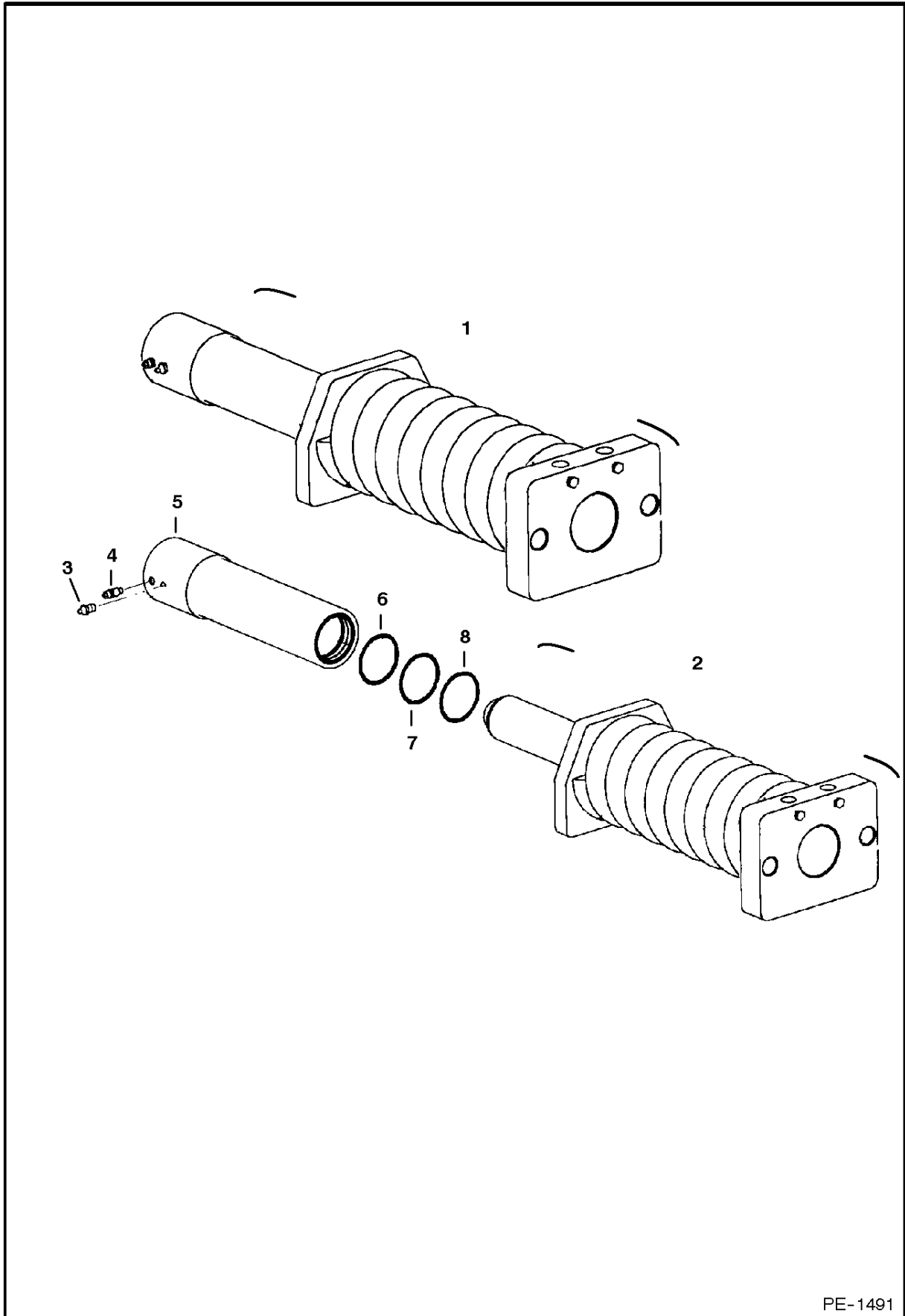


PE-1023

DRIVE TRAIN

Ref.N°	Part N°	Description	Remarks	Serial N°	Qty.
1	6726100	DRIVECASE			1
2	NAP	BOLT	1.25'(31,8 mm) long - Use 31C-1224inD1? Bolt - Was 31C-1220 [A]		4
2	31C-1224	BOLT	1.5'(38,1 mm) long		4
3		IDLER ASSY	rear - See Page REAR IDLER(1)		2
4	6726028	FRAME	track - L.H.		1
4	6726029	FRAME	track - R.H.		1
5	83D-10	NUT			16
6		MOTOR	See Page HYDROSTATIC MOTOR(1)		2
7	6726052	SPROCKET			2
8	31C-1228	BOLT			24
9	6716010	COVER			8
10	84G-3712	BOLT			8
11	31C-1032	BOLT			16
12	6726053	RECOIL SPRING	See Page TRACK TENSIONER(1)		2
13	83D-12	NUT			12
14		ROLLER ASSY	See Page TRACK ROLLER(1)		6
15		IDLER ASSY	front - See Page FRONT IDLER(1)		2
16	6677204	TRACK	12'(304,8 mm) wide - Avon		2
16	6680161	TRACK	12'(304,8 mm) wide - Bridgestone		2
17	35C-610	BOLT			8
18	31C-1220	BOLT	Was 31C-1228 [B]		12
19	85D-6	NUT			4
20	6726066	STOP	base cylinder		2
21	17C-628	BOLT			4

TRACK TENSIONER

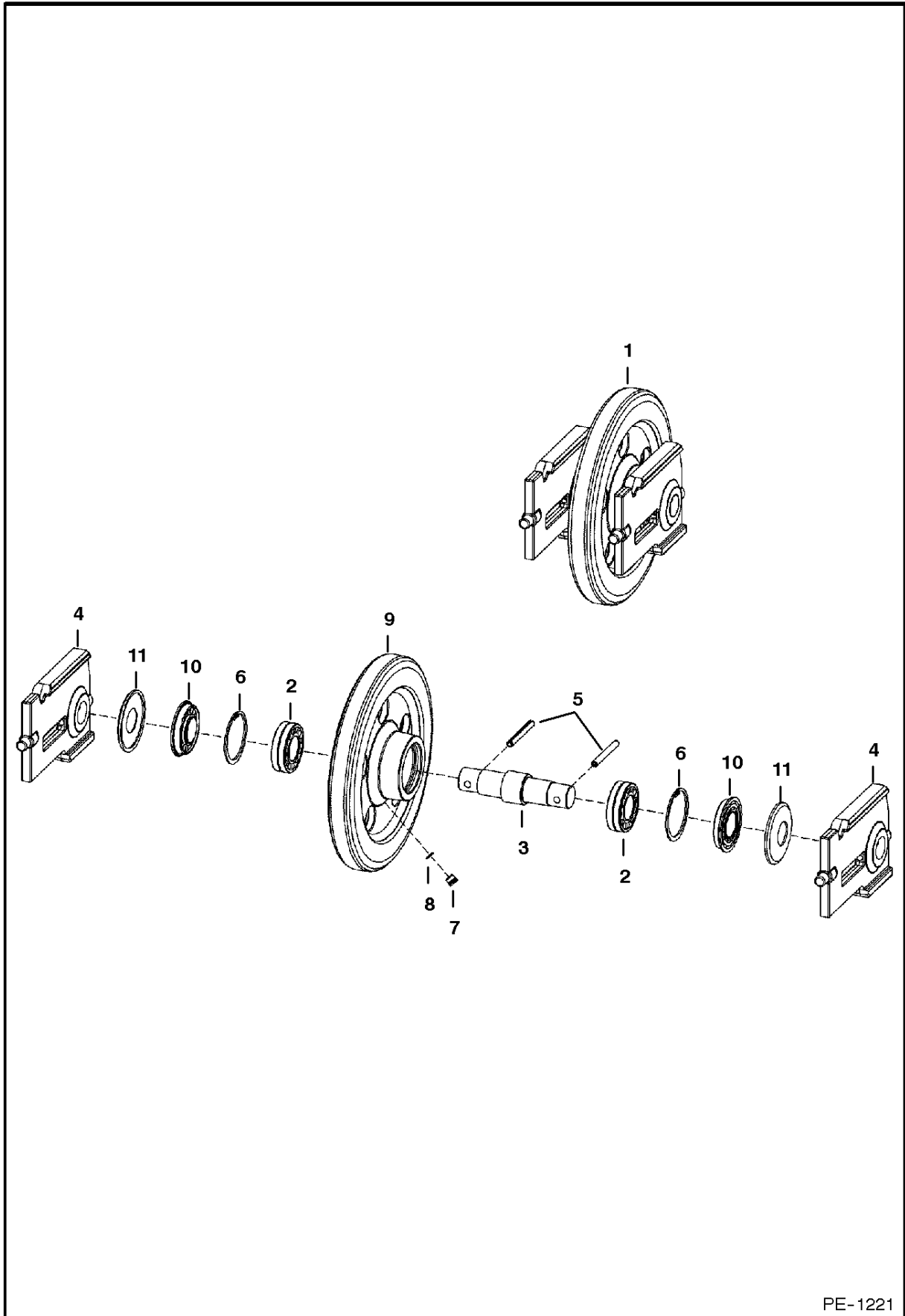


PE-1491

TRACK TENSIONER

Ref.N°	Part N°	Description	Remarks	Serial N°	Qty.
1	6726053	RECOIL SPRING	Ref. TRACK TENSIONER(2) - TRACK TENSIONER(8)		1
2	NSS	&COIL SPRING ASSY	Order Ref. TRACK TENSIONER(1)		1
3	6655752	GREASE ZERK	Must be rated 10,000 psi - Do not substitute!		1
4	6645812	BLEEDER			1
5	6726055	TUBE			1
6	6672338	O-RING			1
7	6672342	WASHER	backAup		1
8	6668004	SEAL	wiper		1

FRONT IDLER

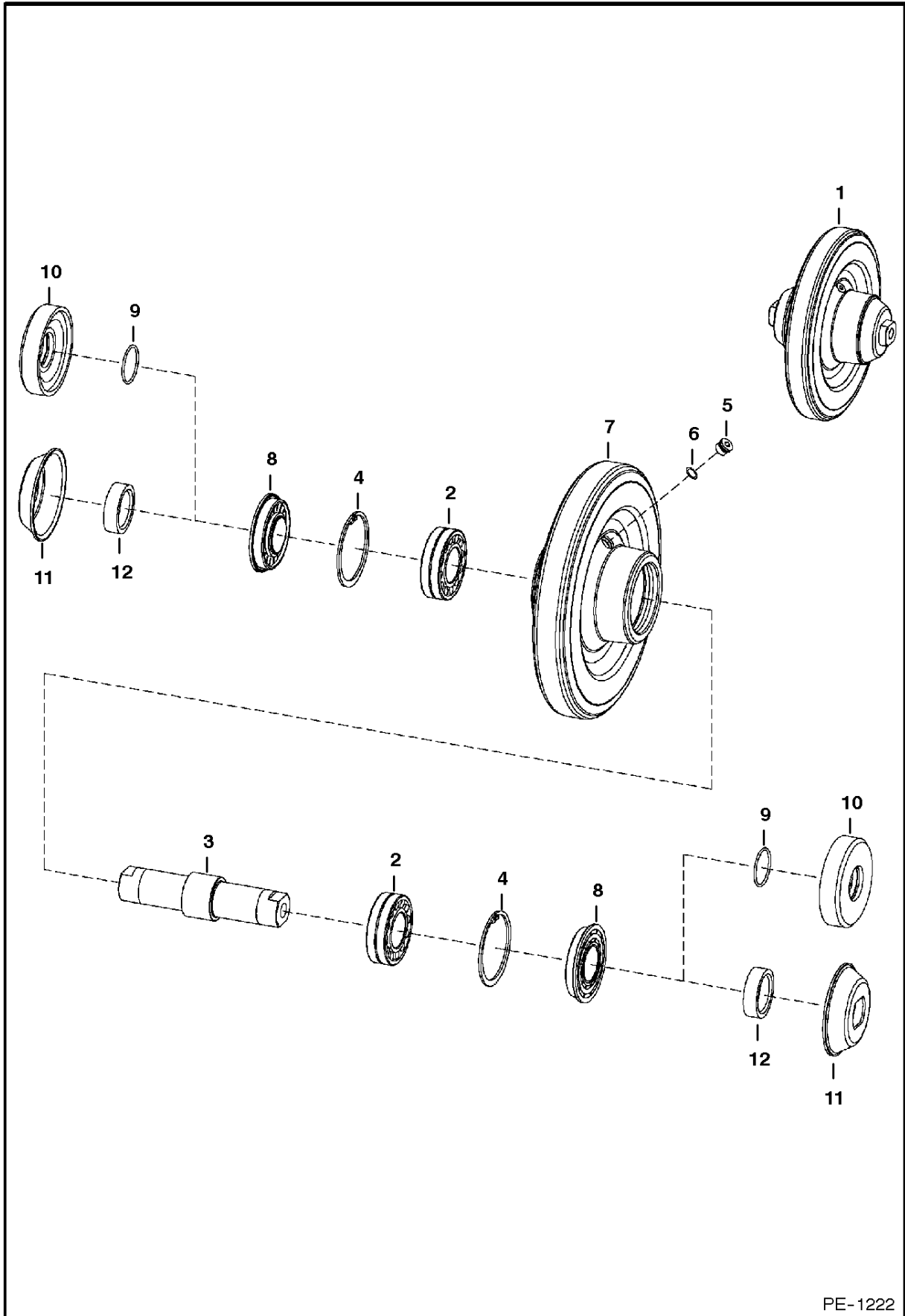


PE-1221

FRONT IDLER

Ref.N°	Part N°	Description	Remarks	Serial N°	Qty.
1	NAP	IDLER ASSY	front - Ref. FRONT IDLER(2)-FRONT IDLER(10) - Order 6732902 Idler Assy - See Page FRONT IDLER(13) - Was 6715764 [A]		1
2	NAP	BEARING	Order 6732875 Axle & (2) of 6679884 Bearing - See Page FRONT IDLER(13) - Was 6672952 [A]		2
3	NAP	AXLE	shaft - Order 6732875 Axle & (2) of 6679884 Bearing - See Page FRONT IDLER(13) - Was 6715749 [A]		1
4	NAP	BRACKET	Order 6730967inD1p Bracket & Ref. FRONT IDLER(11) - Was 6715759 [A]	5193 11973 & Bel	2
4				5194 11179 & Bel	2
4	6730967	BRACKET	Use W/Ref. FRONT IDLER(11)	5193 11974 & Abv	2
4				5194 11180 & Abv	2
4				5270 11001 & Anv	2
5	2JM-1090	ROLL PIN			2
6	7JM-80	SNAP RING			2
7	NAP	PLUG	W/Ref. FRONT IDLER(8) - tapered boss face - Was 90KV-5 [A]		1
7	90K-6	PLUG	W/Ref. FRONT IDLER(8) - flat boss face		1
8	95K-6	O-RING	tapered boss face		x
8	75K-6	O-RING	flat boss face		x
9	NAP	IDLER	Order 6732902 Idler Assy. - See Page FRONT IDLER(13) - Was 6717694 [A]		1
10	6679882	SEAL	Was 6725083 [A]		2
11	6730227	COVER	seal	5193 11974 & Abv	2
11				5194 11180 & Abv	2

REAR IDLER



PE-1222

REAR IDLER

Ref.N°	Part N°	Description	Remarks	Serial N°	Qty.
1	NAP	IDLER ASSY	rear - W/Ref. REAR IDLER(2) - REAR IDLER(8) - Order 6732903 Idler Assy - See Page REAR IDLER(10) - Was 6715765 [A]		1
2	NAP	BEARING	Order 6732876 Axle & (2) of 6679884 Bearing - See Page REAR IDLER(10) - Was 6672952 [A]		2
3	NAP	AXLE	shaft - W/.52' deep end notches - Use W/Ref. REAR IDLER(9) & REAR IDLER(10) - Order 6732876 Axle & (2) of 6679884 Bearing - See	5193 11973 & Bel	1
3				5194 11179 & Bel	1
3	NAP	AXLE	shaft - W/.62' deep end notches - Use W/Ref. REAR IDLER(11) & REAR IDLER(12) - Order 6732876 Axle & (2) of 6679884 Bearing - Se	5193 11974 & Abv	1
3				5194 11180 & Abv	1
4	7JM-80	SNAP RING			2
5	NAP	PLUG	W/Ref. REAR IDLER(6) - tapered boss face - Was 90KV-5 [A]		1
5	90K-6	PLUG	W/Ref. REAR IDLER(6) - flat boss face		1
6	95K-6	O-RING	tapered boss face		x
6	75K-6	O-RING	flat boss face		x
7	NAP	IDLER	Order 6732903 Idler Assy.& - See Page REAR IDLER(10) - Was 6717728 [A]		1
8	6679882	SEAL	Was 6725083 [A]		2
9	25K-30118	O-RING		5193 11974-13368	2
9				5194 11180-12089	2
10	6729166	COVER		5193 11973 & Bel	2
10				5194 11179 & Bel	2
11	6730228	COVER	seal	5193 11974-13368	2
11				5194 11180-12089	2
12	NAP	SPACER	Not required for service - Was 6730780 [A]	5193 11973 & Bel	2
12				5194 11179 & Bel	2



Download the full PDF manual instantly.

Our customer service e-mail:

aservicemanualpdf@yahoo.com