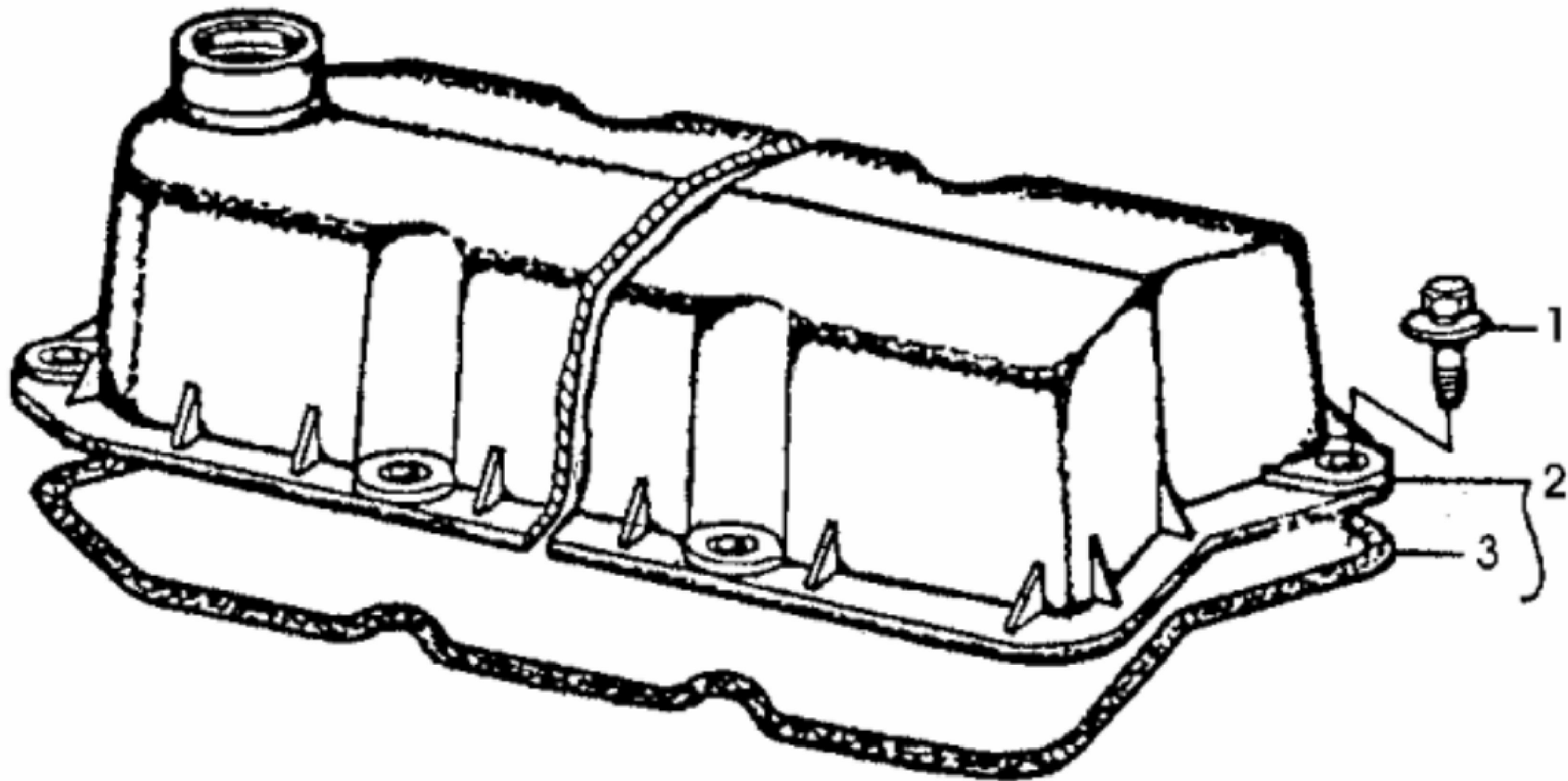


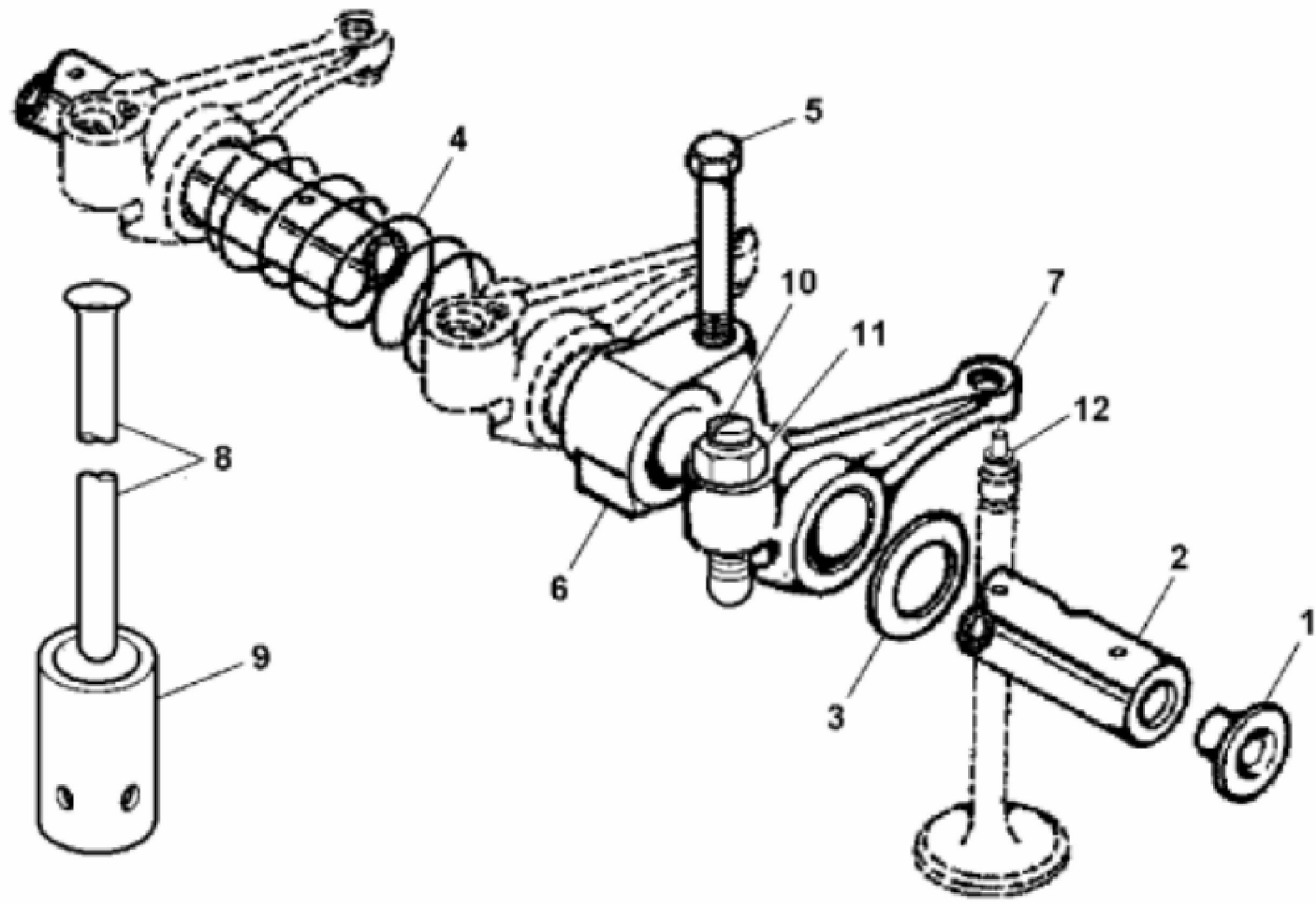
**PY50837**

| KEY | PART NO. | PART NAME     | QTY | 5310S | 5410 | 5610 | REMARKS             |  |
|-----|----------|---------------|-----|-------|------|------|---------------------|--|
| 1   | R56463   | O-RING        | 1   | X     | X    | X    |                     |  |
| 2   | R92154   | ELBOW FITTING | 1   | X     | X    | X    |                     |  |
| 3   | AT18904  | CLAMP         | 1   | X     | X    | X    |                     |  |
| 4   | RE521527 | BREATHER      | 1   | X     | X    |      | CTL = 889 mm; (35") |  |
| 5   | R519549  | VENT          | 1   |       |      | X    |                     |  |
| 6   | RE522889 | VENT          | 1   |       |      | X    |                     |  |
| 7   | 19H1255  | CAP SCREW     | 1   |       |      | X    | 3/8" X 5/8"         |  |
| 8   | T30726   | STRAP         | 1   |       |      | X    |                     |  |



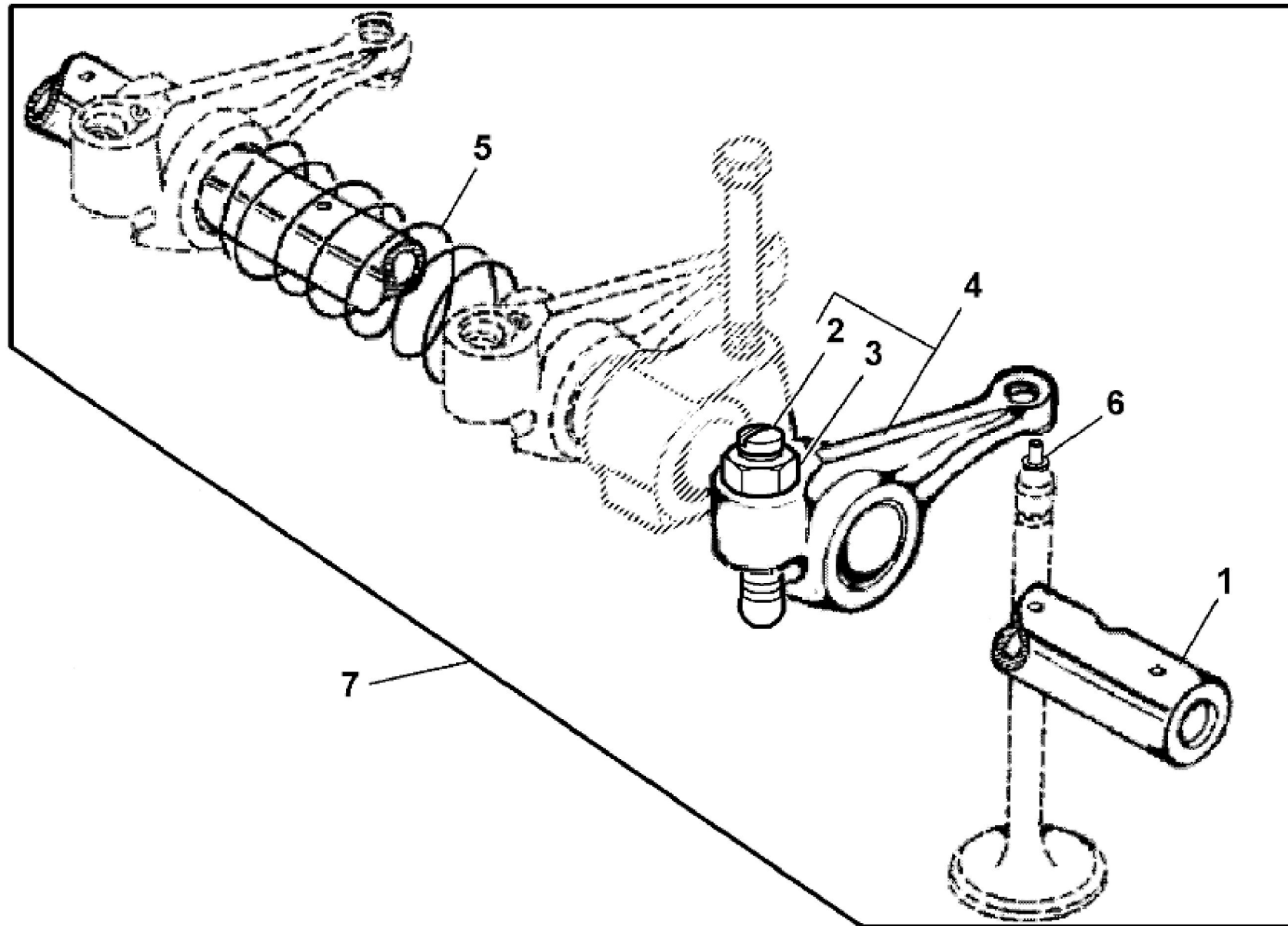
PY50072

| KEY | PART NO. | PART NAME         | QTY | 5310S | 5410 | 5610 | REMARKS |  |
|-----|----------|-------------------|-----|-------|------|------|---------|--|
| 1   | RE32140  | SCREW WITH WASHER | 6   | X     | X    | X    |         |  |
| 2   | RE515827 | VALVE COVER       | 1   | X     | X    | X    |         |  |
| 3   | R106796  | O-RING            | 1   | X     | X    | X    | CTL     |  |



PY52171

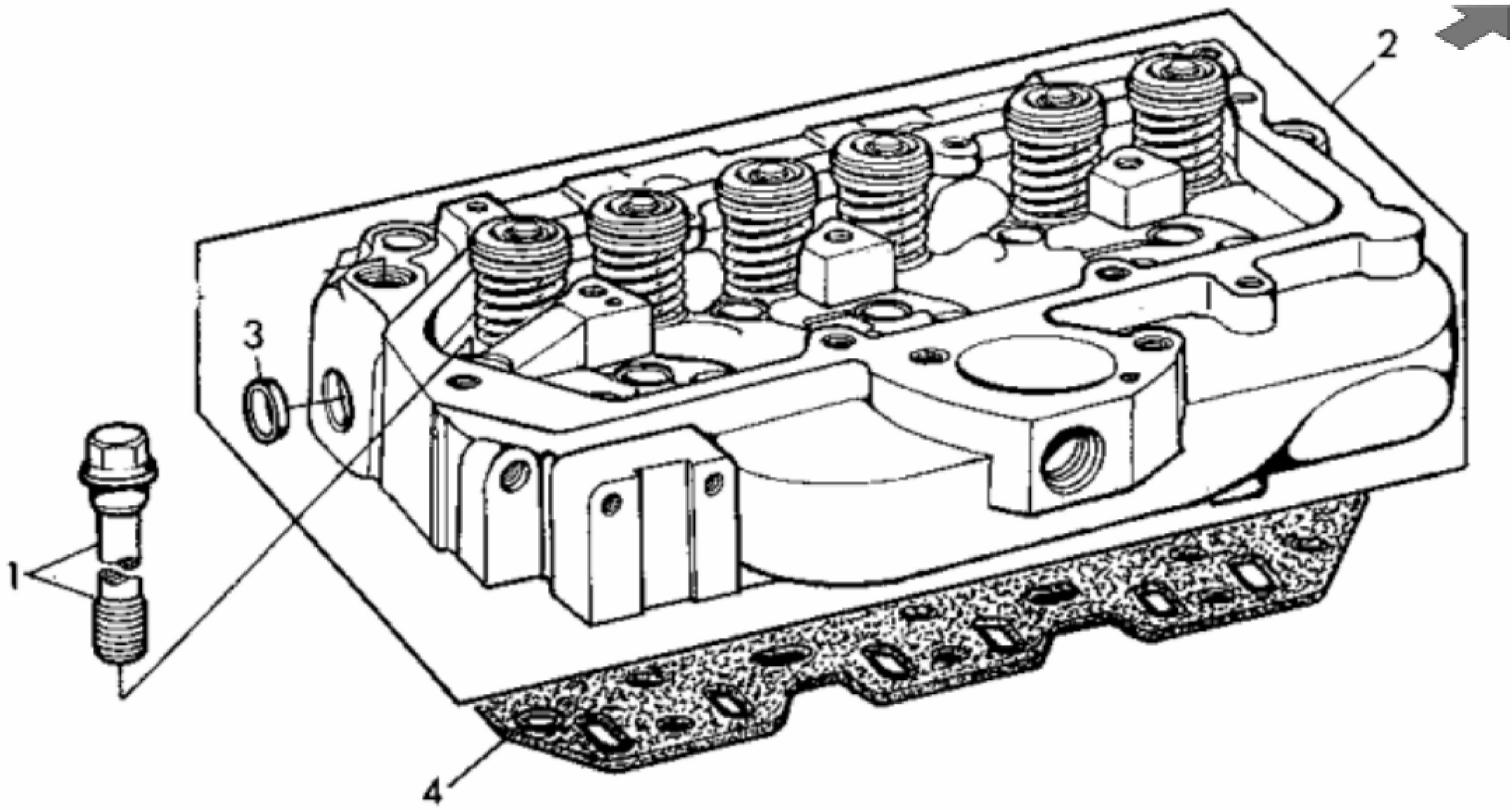
| KEY | PART NO. | PART NAME          | QTY | REMARKS                   |  |
|-----|----------|--------------------|-----|---------------------------|--|
| 1   | R54565   | PLUG               | 2   |                           |  |
| 2   | .....    | SHAFT              | 1   | NLA; ORDER RE519735       |  |
| 2   | RE519735 | ROCKER ARM SHAFT   | 1   | SUB FOR R501532           |  |
| 3   | T20316   | WASHER             | 2   |                           |  |
| 4   | T20314   | SPRING             | 2   |                           |  |
| 5   | R504813  | SELF-LOCKING SCREW | 3   | HS = 10.9; SAE 8          |  |
| 6   | R516741  | SUPPORT            | 3   |                           |  |
| 7   | RE62148  | ROCKER ARM         | 6   | INCLUDES R515577, R125881 |  |
| 8   | R515095  | PUSH ROD           | 6   |                           |  |
| 9   | R515092  | CAM FOLLOWER       | 6   | LGTH = 234 mm, 9.21 "     |  |
| 10  | R515577  | SCREW              | 3   |                           |  |
| 11  | R125881  | LOCK NUT           | 3   |                           |  |
| 12  | T26872   | INSERT             | 6   |                           |  |



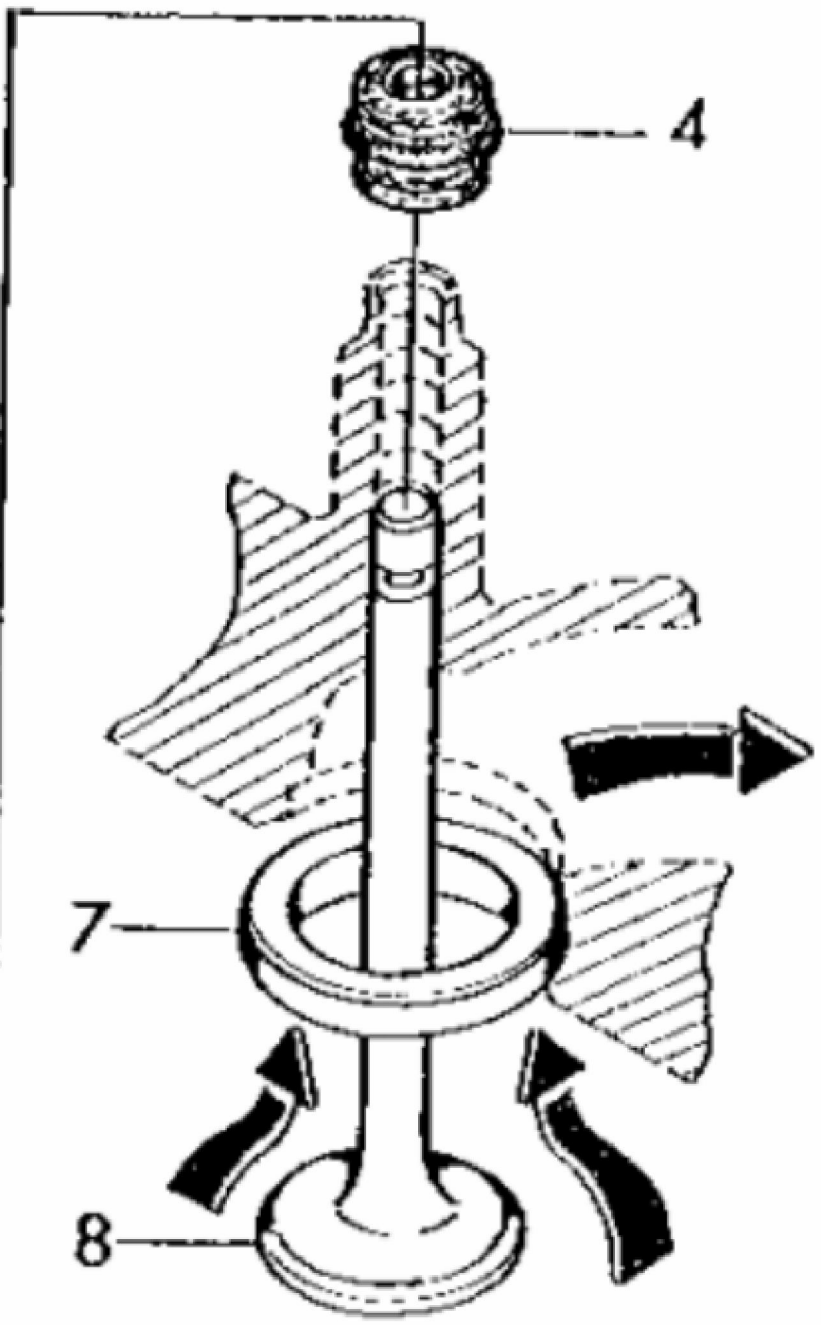
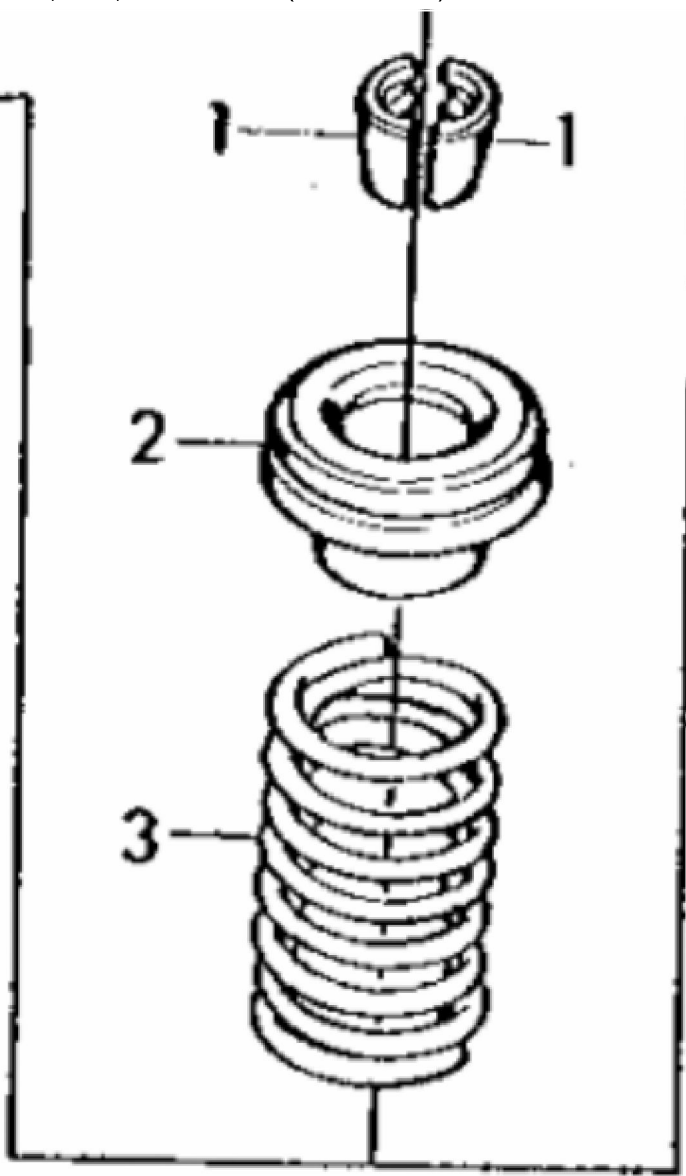
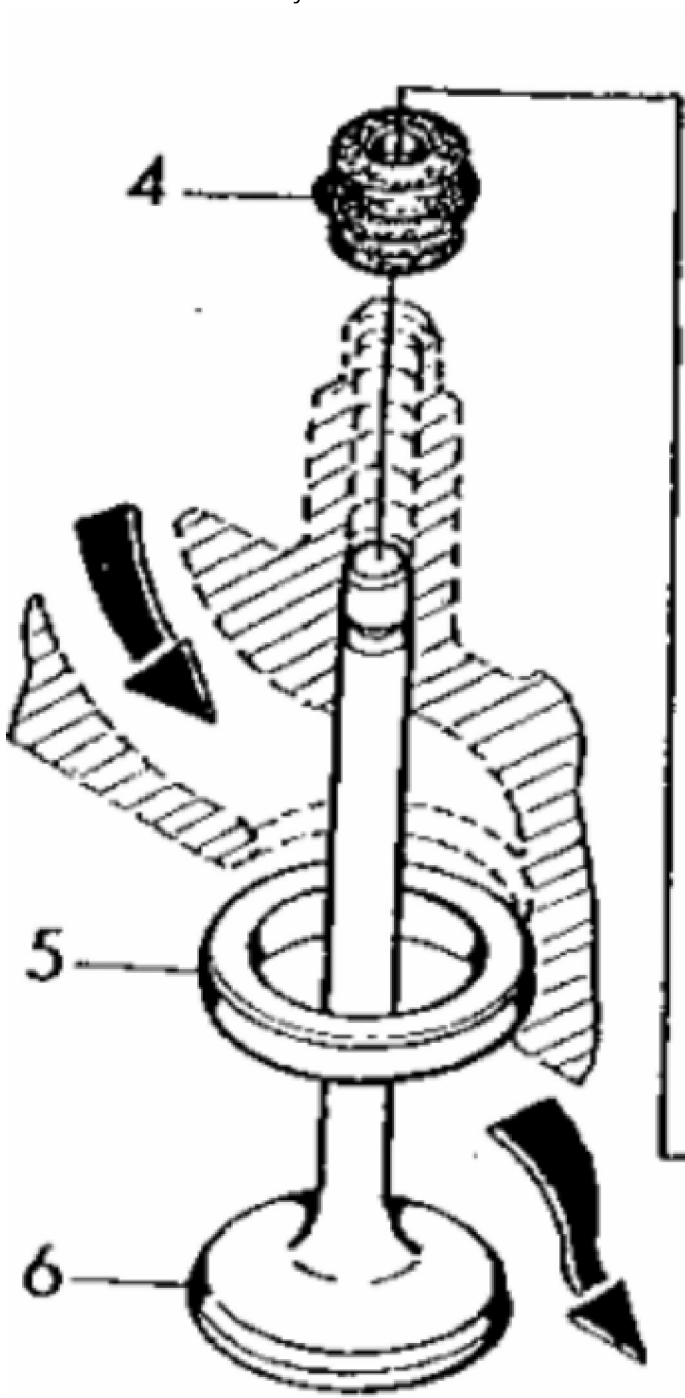
PY52172

| KEY | PART NO. | PART NAME        | QTY | 5310S | 5410 | 5610 | REMARKS              |  |
|-----|----------|------------------|-----|-------|------|------|----------------------|--|
| 1   | R501532  | SHAFT            | 1   | X     | X    | X    |                      |  |
| 2   | R515577  | SCREW            | 6   | X     | X    | X    |                      |  |
| 3   | R125881  | LOCK NUT         | 6   | X     | X    | X    |                      |  |
| 4   | RE62148  | ROCKER ARM       | 6   | X     | X    | X    |                      |  |
| 5   | T20314   | SPRING           | 2   | X     | X    | X    |                      |  |
| 6   | T26872   | INSERT           | 6   | X     | X    | X    |                      |  |
| 7   | RE515459 | ROCKER ARM SHAFT | 1   | X     | X    | X    | SUB FOR RG0079, ASSY |  |





| KEY | PART NO. | PART NAME                   | QTY | 5310S | 5410 | 5610 | REMARKS  |  |
|-----|----------|-----------------------------|-----|-------|------|------|--|--|
| 1   | R516516  | CAP SCREW                   | 14  | X     | X    | X    | 12.700 X 112 mm (1/2" X 4.409")  |  |
| 2   | RE507618 | CYLINDER HEAD               | 1   | X     | X    | X    | (CYLINDER HEAD W/ INSERTS, INTAKE &<br>EXHAUST VALVE, SPRING, SEAL &<br>ROTATOR) |  |
| 3   | CD16284  | PLUG                        | 2   | X     | X    | X    |  |  |
| 4   | R515090  | ENGINE CYLINDER HEAD GASKET | 1   | X     | X    | X    |  |  |



CD37204



**Download the full PDF manual instantly.**

**Our customer service e-mail:**

**[aservicemanualpdf@yahoo.com](mailto:aservicemanualpdf@yahoo.com)**