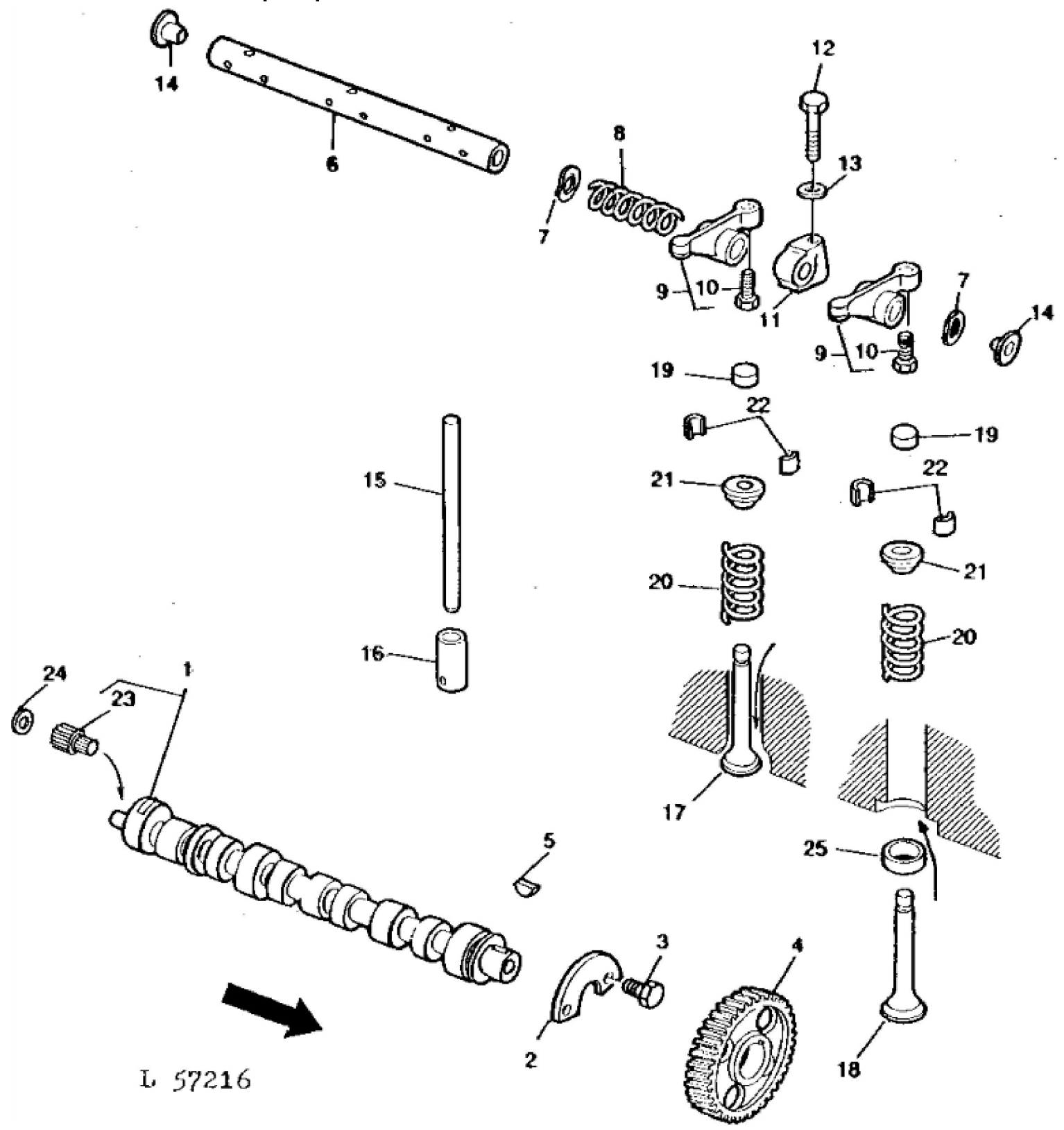


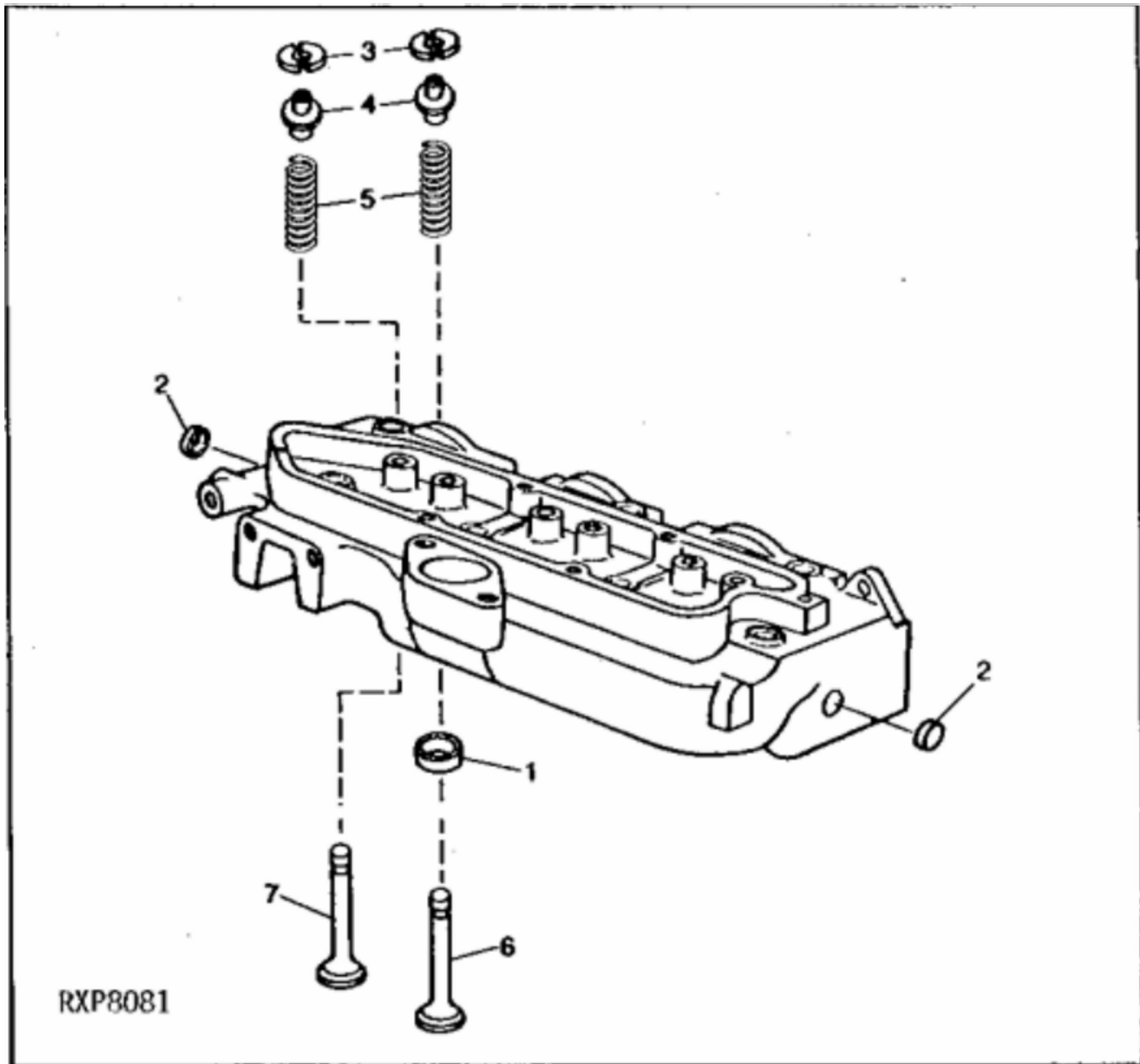
RWP4960

KEY	PART NO.	PART NAME	QTY	REMARKS
1	T20074	TUBE	1	
2	R40791	CLAMP	1	
3	24H1685	WASHER	1	11/32" X 47/64" X 0.083"
4	19H1813	CAP SCREW	1	5/16" X 5/8"
5	AR45530	SCREW WITH WASHER	6	(SUB AR103811)
6	AT18016	VALVE COVER	1	
7	T24151	CLAMP	1	
8	R75729	GASKET	1	(SUB FOR T20111 OR AR102261)
9	N102039	PLUG	2	(SUB FOR A3910R)
10	AR70582	CYLINDER HEAD	1	(MARKED R58685) (SUB FOR AT21799) (SUB FOR AT21799) (SUB AR70583)
10	AR70583	CYLINDER HEAD	1	(MARKED R58686) (SUB FOR RE56306 AND R97356)
11	R98460	ENGINE CYLINDER HEAD GASKET	1	(USE WITH AR70583)
11	R97356	ENGINE CYLINDER HEAD GASKET	1	(USE WITH AR70582)
12	T20168	WASHER	14	
13	R53223	CAP SCREW	14	
14	R495R	O-RING	1	

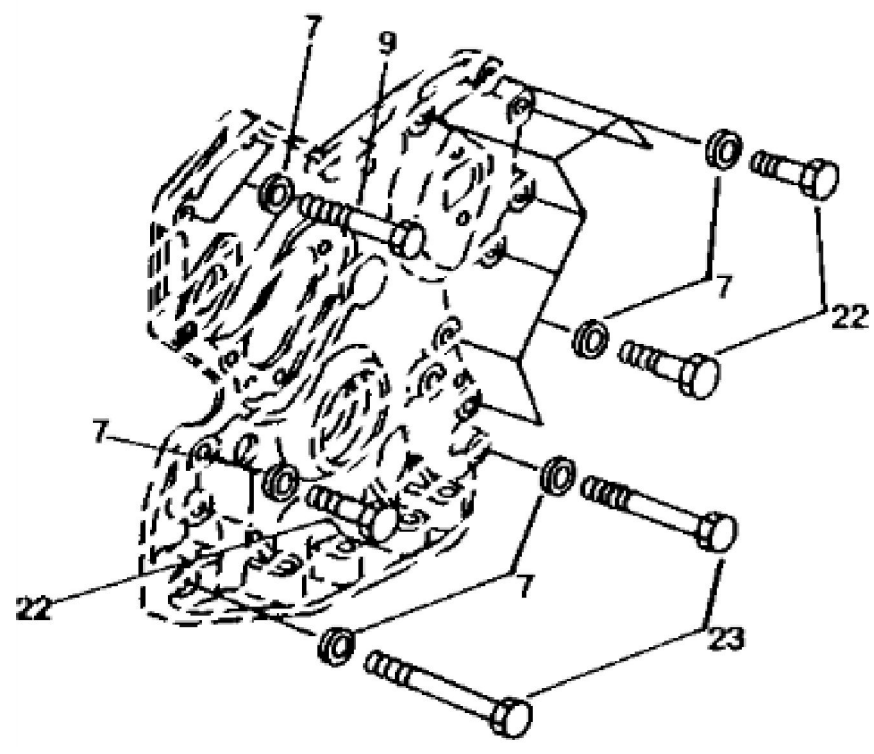
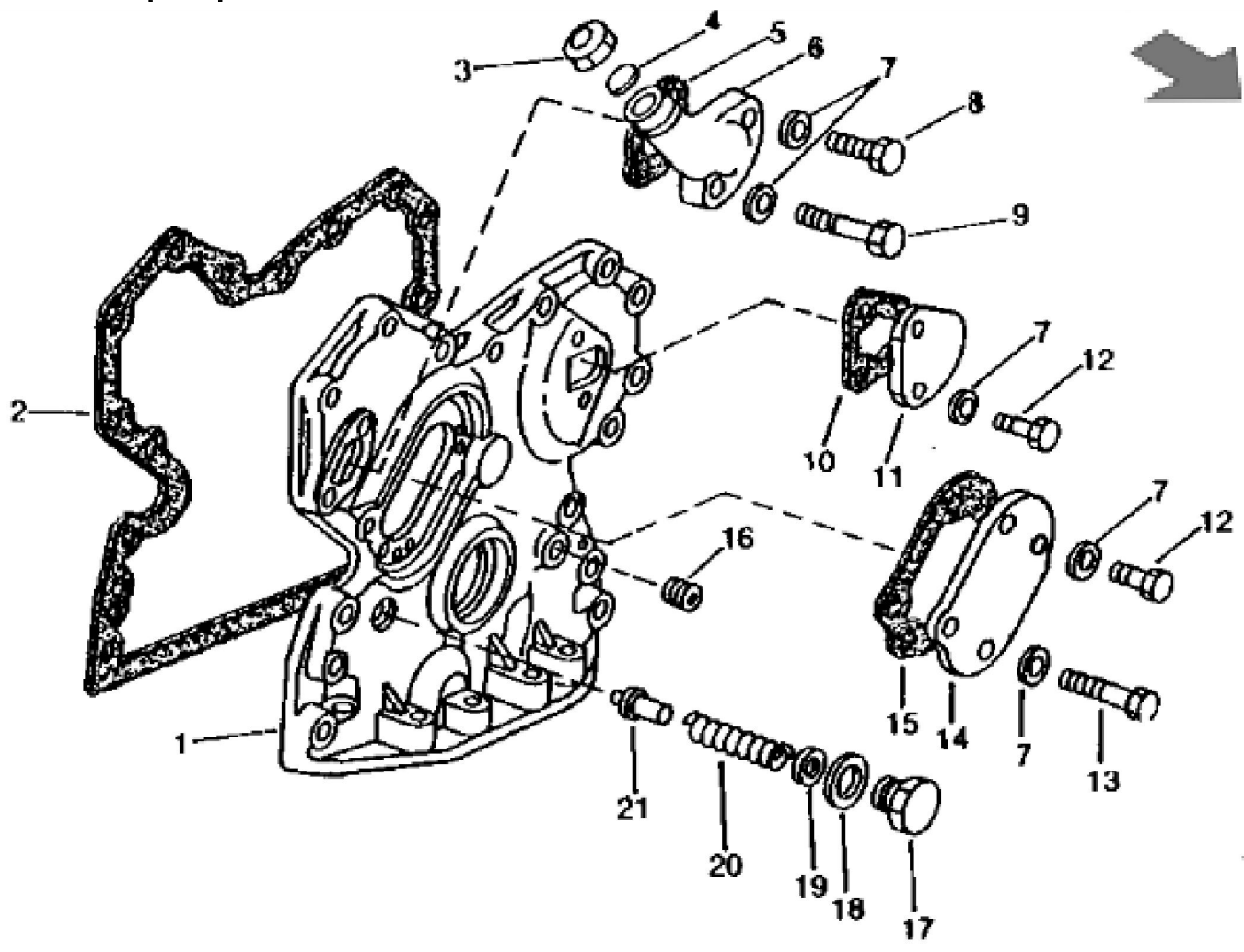


L 57216

KEY	PART NO.	PART NAME	QTY	REMARKS
1	AT18053	CAMSHAFT	1	(MARKED T20016 OR T20015) (SUB FOR AT18055 OR R81516) (SUB R82819 AND R81513)
2	T20072	PLATE	1	
3	19H1731	CAP SCREW	2	3/8" X 1"
4	T20070	HELICAL GEAR	1	(48 TEETH)
5	T28041	SHAFT KEY	1	
6	T23468	ROCKER ARM SHAFT	1	(SUB DD12119 AND (2) R54565)
7	T20316	WASHER	2	
8	T20314	SPRING	2	
9	RE19031	ROCKER ARM	6	(SUB FOR AR103769 OR AT31250)
10	SCREW	6	(ORDER RE19031) (SUB FOR T23521 OR T32213)
11	T20315	SUPPORT	3	
12	19H1733	CAP SCREW	3	3/8" X 2-1/2"
13	24M7106	WASHER	3	10 X 18 X 2.500 MM
14	T23469	PLUG	2	(USE WITH T23468)
14	R54565	PLUG	2	(USE WITH DD12119)
15	T20310	PIN	6	(SUB R82896)
16	T20073	TAPPET	6	
17	R52251	INTAKE VALVE	3	(SUB R79623)
17	R57332	INTAKE VALVE	3	0.076MM (.003") OVERSIZE STEM, (SUB R79628)
17	R57334	INTAKE VALVE	3	0.381MM (.015") OVERSIZE STEM, (SUB R79629)
17	R57336	INTAKE VALVE	3	0.762MM (.030") OVERSIZE STEM, (SUB R79630)
18	R52252	EXHAUST VALVE	3	(SUB R79624)
18	R57333	EXHAUST VALVE	3	0.076MM (.003") OVERSIZE STEM, (SUB R79625)
18	R57335	EXHAUST VALVE	3	0.381MM (.015") OVERSIZE STEM, (SUB R79626)
18	R57337	EXHAUST VALVE	3	0.762MM (.030") OVERSIZE STEM, (SUB R79627)
19	T20129	CAP	6	
20	R26125	SPRING	6	
21	T20176	RETAINER	6	(SUB R41412)
22	T20077	RETAINER	12	
23	T20071	DRIVE SHAFT	1	SPEED HOUR METER, (USE WITH T20016 OR T20015) (NOT AS ILLUSTRATED)
23	R81513	DRIVE SHAFT	1	(USE WITH R81516 OR R82819)
24	T20304	WASHER	1	
25	CD13979	VALVE SEAT INSERT	3	

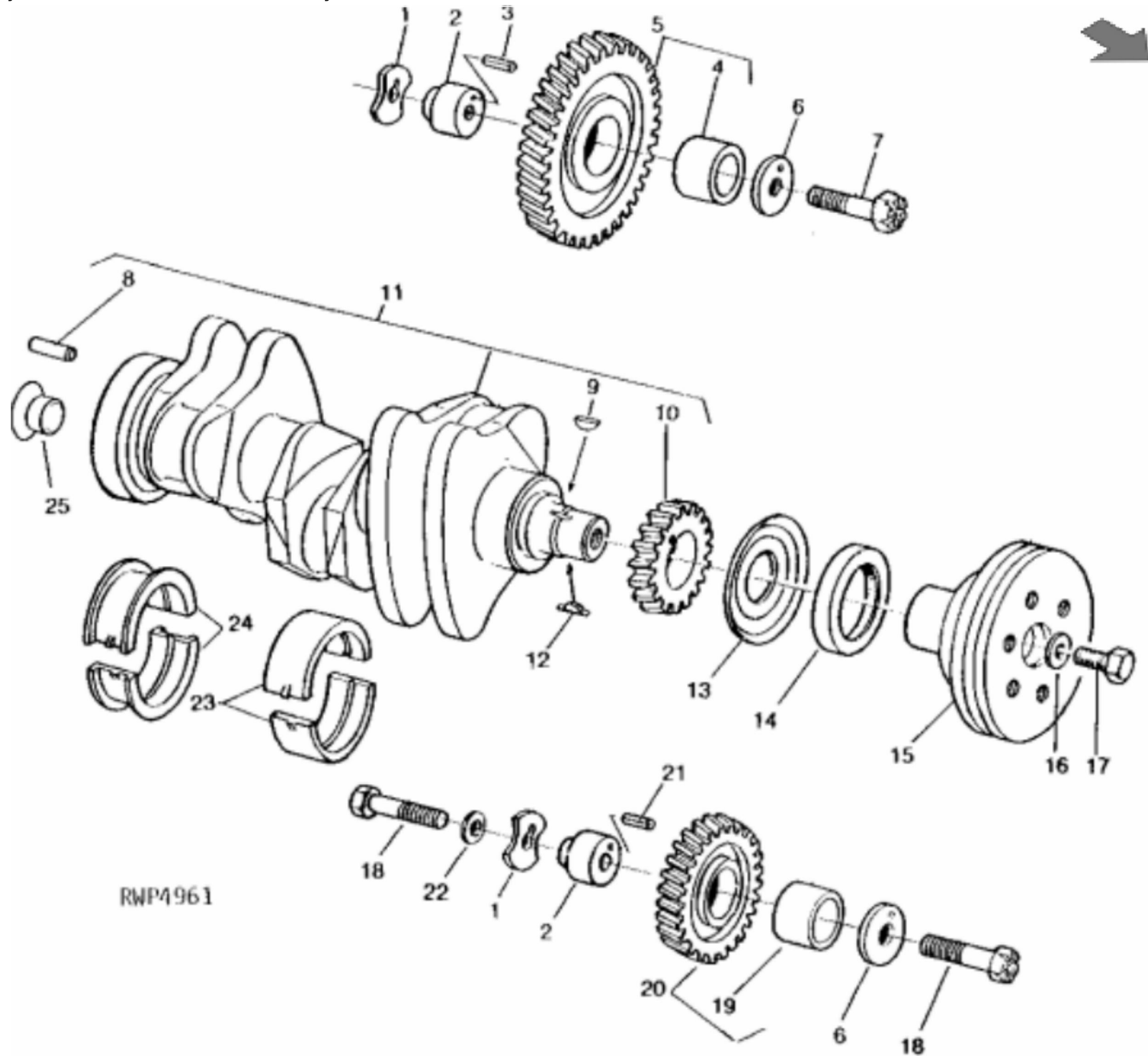


KEY	PART NO.	PART NAME	QTY	REMARKS	
1	R51734	VALVE SEAT INSERT	3		
2	CD16284	PLUG	2		
3	T20077	RETAINER	12		
4	R41412	CAP	6	(SUB FOR T20176)	
5	R26125	SPRING	6		
6	R79624	EXHAUST VALVE	3		
7	R79623	INTAKE VALVE	3		
8	RE56306	CYLINDER HEAD	1	(MARKED R58686) (SUB FOR AR70583)	

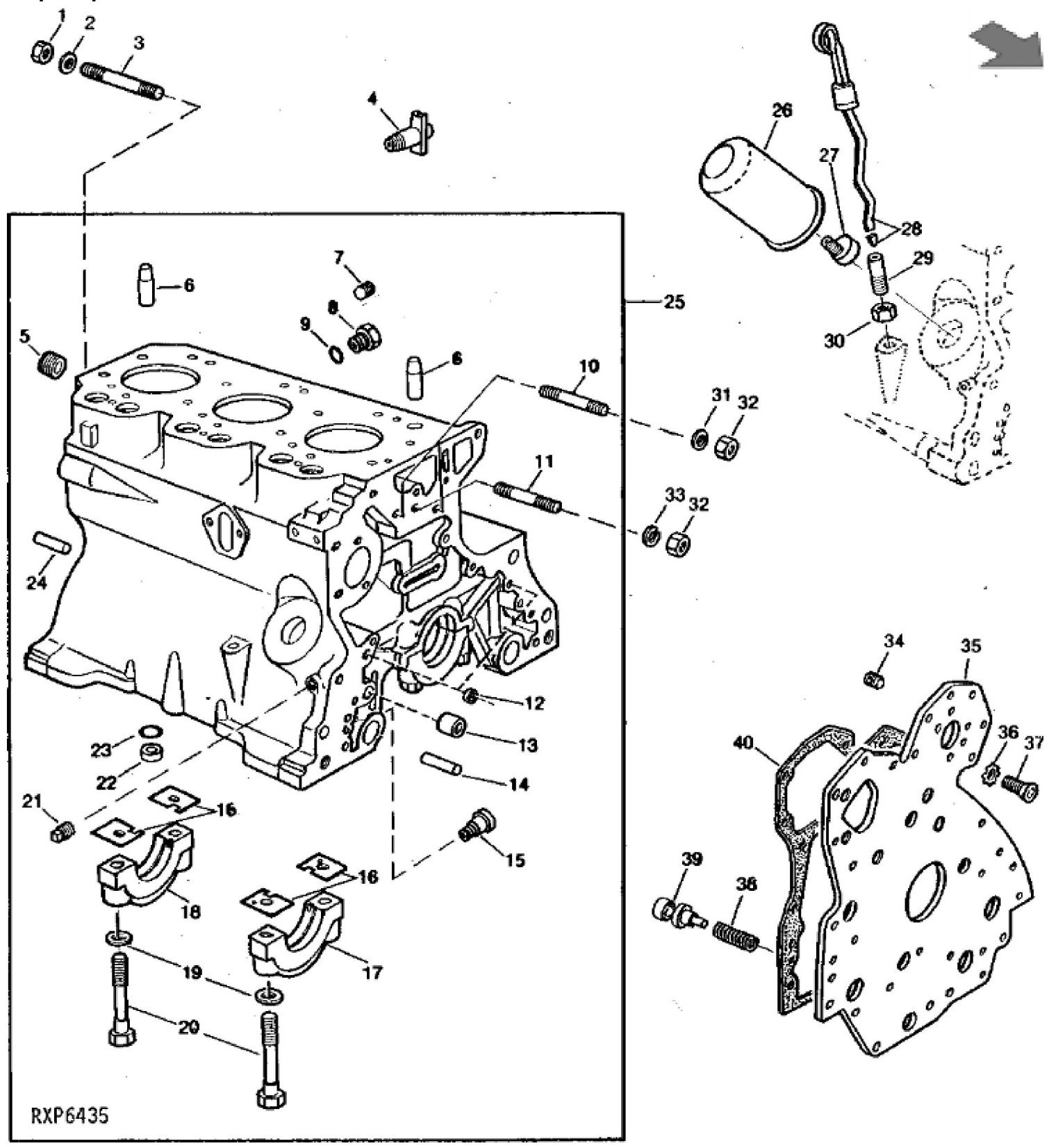


RWP4104

KEY	PART NO.	PART NAME	QTY	REMARKS
1	AR58196	COVER	1	
2	T20155	GASKET	1	
3	T20294	CAP	1	
4	T20328	GASKET	1	
5	T20336	GASKET	1	
6	T23614	FILLER NECK	1	
7	24M7106	WASHER	21	10 X 18 X 2.500 MM
8	19H2665	CAP SCREW	1	3/8" X 1-5/8"
9	19H2128	CAP SCREW	3	3/8" X 3"
10	R69260	GASKET	1	(SUB FOR T20364)
11	T20362	COVER	1	(SUB R126041)
12	19H2284	CAP SCREW	5	3/8" X 7/8"
13	19H1726	CAP SCREW	1	3/8" X 2-1/4"
14	T20272	COVER	1	
15	T20273	GASKET	1	
16	15H275	PIPE PLUG	1	1/4"
17	T27657	FITTING PLUG	1	
18	A4827R	WASHER	1	
19	24H1290	WASHER	AR	21/64" X 3/4" X 0.035"
20	T27658	SPRING	1	
21	R51516	VALVE	1	(SUB R83169)
22	19H1801	CAP SCREW	9	3/8" X 2"
23	19H1733	CAP SCREW	2	3/8" X 2-1/2"



KEY	PART NO.	PART NAME	QTY	REMARKS
1	T26324	THRUST WASHER	2	INNER
2	T26323	SHAFT	2	(SUB R109863, P42337 AND 19H3011)
3	34H283	SPRING PIN	1	3/16" X 1-1/8"
4	T20034	BUSHING	1	
5	AR91660	GEAR	1	UPPER, (SUB FOR AT18009)
6	T26326	THRUST WASHER	2	OUTER
7	T26327	SCREW	1	
8	T26565	DOWEL PIN	1	
9	26H72	SHAFT KEY	1	1/8" X 5/8"
10	T20094	HELICAL GEAR	1	
11	AT18031	CRANKSHAFT	1	
12	T23604	SHAFT KEY	1	
13	T20046	OIL SLINGER	1	
14	AT21608	SEAL	1	(SUB AR67942)
15	T25366	PULLEY	1	(SUB R59915)
16	T20217	WASHER	1	
17	19H1721	CAP SCREW	1	1/2" X 1-1/2"
18	T26325	SCREW	2	
19	T26321	BUSHING	1	
20	AT24252	GEAR	1	LOWER
21	34H286	SPRING PIN	1	3/16" X 1-1/2"
22	24H1890	WASHER	1	19/32" X 1" X 1/4"
23	AT21140	BEARING	3	STD PLAIN (2 HALVES)
23	AT21108	BEARING	3	0.05MM (.002") U.S. PLAIN (2 HALVES)
23	AT21110	BEARING	3	0.25MM (.010") U.S. PLAIN (2 HALVES)
23	AT21112	BEARING	3	0.51MM (.020") U.S. PLAIN (2 HALVES)
23	AT21114	BEARING	3	0.76MM (.030") U.S. PLAIN (2 HALVES)
24	AT21139	BEARING	1	STD (2 HALVES)
24	AT21130	BEARING	1	0.05MM (.002") U.S. (2 HALVES)
24	AT21132	BEARING	1	0.25MM (.010") U.S. (2 HALVES)
24	AT21134	BEARING	1	0.51MM (.020") U.S. (2 HALVES)
24	AT21136	BEARING	1	0.76MM (.030") U.S (2 HALVES)
25	T20445	PLUG	1	





Download the full PDF manual instantly.

Our customer service e-mail:

aservicemanualpdf@yahoo.com