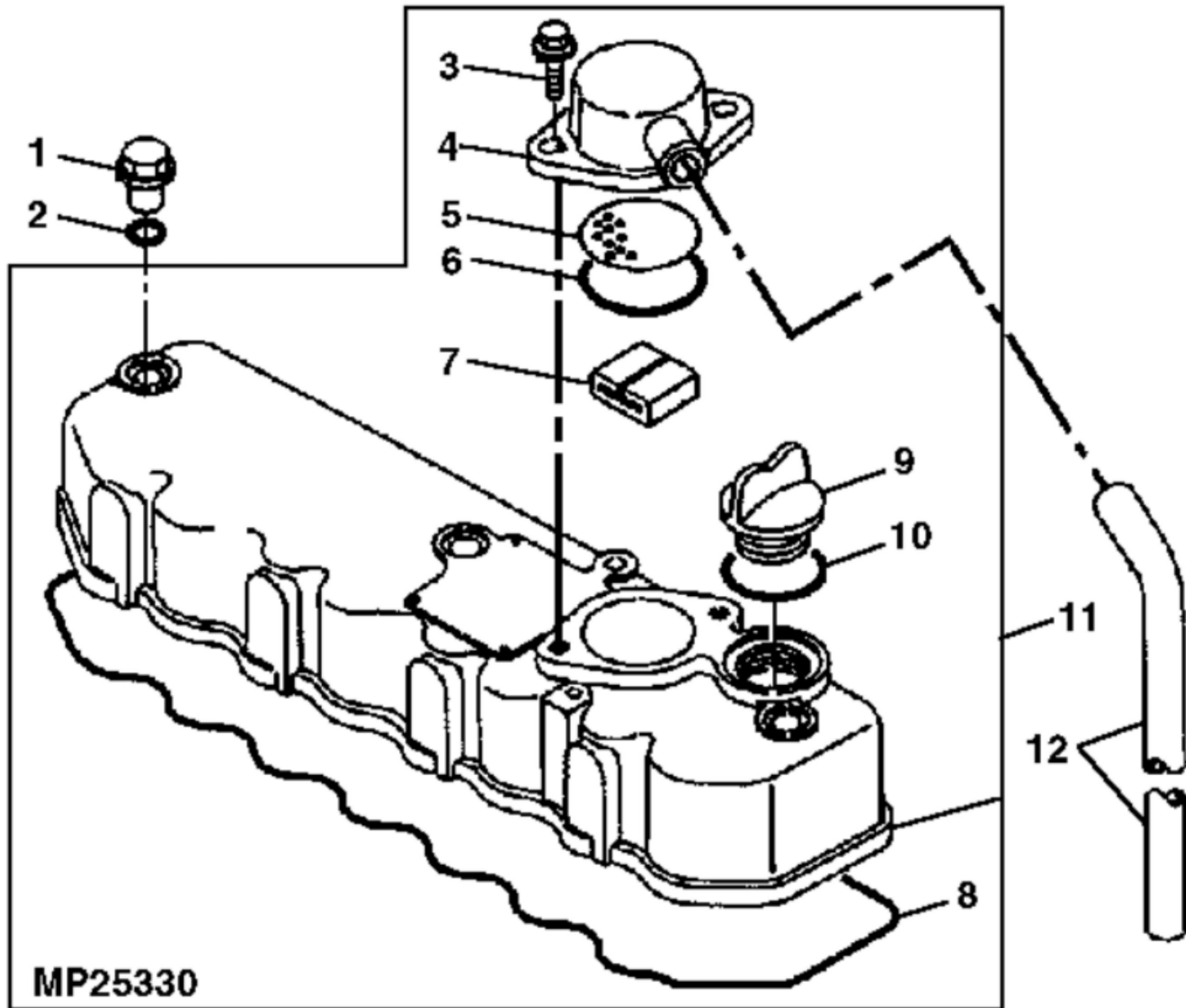


KEY	PART NO.	PART NAME	QTY	REMARKS
1	LVU13644	ISOLATOR	1	RH AIRDAM
2	19M7864	BOLT	2	
3	LVU12391	HEAT SHIELD	1	RH
4	14M7298	FLANGE NUT	1	M8
5	LVU12390	HEAT SHIELD	1	LH
6	19M7783	BOLT	1	
7	19M7866	BOLT	1	
8	LVU13646	ISOLATOR	1	LH AIRDAM
9	M801186	BOLT	18	
10	M806518	ENGINE CYLINDER HEAD GASKET	1	
11	30M7023	PLUG	1	
12	CH18079	SPRING PIN	1	
13	M806938	PLUG	1	
14	15H562	PIPE PLUG	1	1"
15	MIU800573	CAMSHAFT	1	(SUB FOR M800977)
16	M800978	SHAFT	1	
17	CH19101	BOLT	2	
18	M87801	PLUG	2	
19	M800974	PIPE	2	
20	CH10554	PACKING	4	
21	19M7864	BOLT	4	
22	AM875371	BEARING KIT	5	(STD)
22	MIA880550	BEARING	5	.25MM (.010") US, (SUB FOR AM875374)
23	BEARING CAP	4	
24	M801189	BOLT	10	
25	MIA880555	BEARING	2	(SUB FOR AM875373)
26	BEARING CAP	1	
27	CH10335	PLUG	2	
28	EPC200680	PLUG	1	
29	T113961	PLUG	1	
30	M802255	PIN	4	
31	DRAIN PLUG	1	
32	AM879992	CYLINDER BLOCK	1	
33	MIA882698	SHORT BLOCK ASSEMBLY	1	Not Illustrated; SUB FOR AM880565

KEY	PART NO.	PART NAME	QTY	REMARKS	
..	AM131605	DIESEL ENGINE	1	(W/SST FLYWHEEL) (MARKED 4TNE84-EJT461C) (SUB AM880565)	
..	AM131609	DIESEL ENGINE	1	(W/PRT, HST FLYWHEEL) (MARKED 4TNE84-EJT461) (SUB AM880565)	
..	AM880565	SHORT BLOCK ASSEMBLY	1		
..	LVU10366	ISOLATOR	1	BOTTOM AIRDAM	

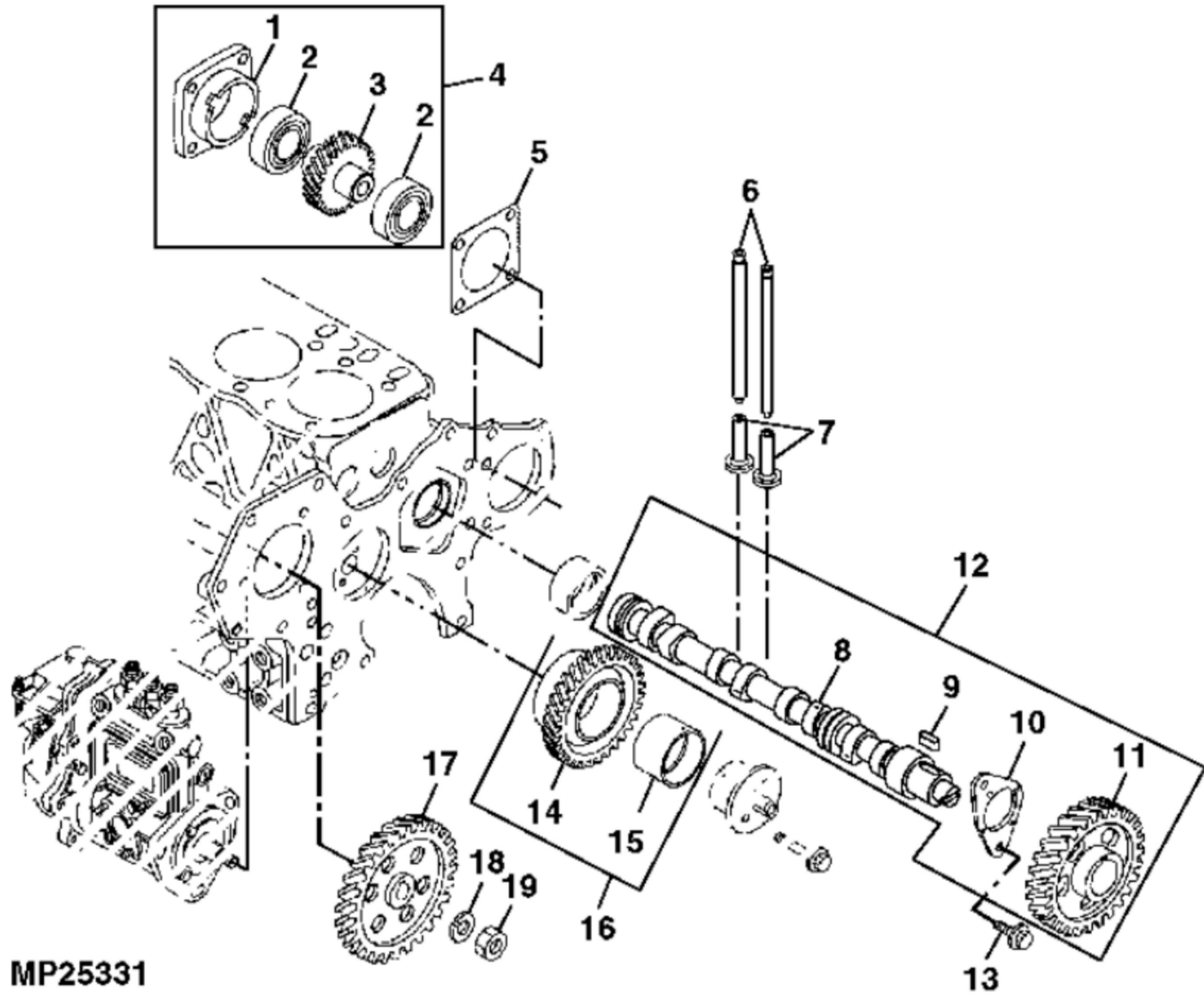
ARMS

KEY	PART NO.	PART NAME	QTY	REMARKS
1	M801024	STUD	3	
2	19M7800	SCREW	7	M8 X 50
3	M801028	NUT	1	
4	M801027	SCREW	1	
5	ROCKER ARM	1	
6	AM875383	ROCKER ARM	8	
7	M801022	SUPPORT	2	ROCKER ARM
8	M801023	SUPPORT	3	ROCKER ARM
9	M801025	SPRING	4	
10	19M7867	SCREW	3	M8 X 25
11	M800002	PLUG	2	
12	ROCKER ARM SHAFT	1	
13	AM875382	SHAFT	1	ROCKER ARM
14	M801224	CAP	8	
15	AM878862	RETAINER KIT	8	VALVE RETAINER, (SUB FOR CH10067)
16	M801223	RETAINER	8	SPRING
17	M801222	SPRING	8	VALVE
18	T110650	SEAL	4	EXHAUST
19	CH10450	SEAL	4	INTAKE
20	M801227	GUIDE	4	INTAKE
21	M801228	GUIDE	4	EXHAUST
22	CH16751	PLUG	2	
23	CH18079	SPRING PIN	2	
24	M801220	INTAKE VALVE	4	
25	M801221	EXHAUST VALVE	4	
26	M801219	BOLT	8	
27	M801017	SEAT	4	
28	M801016	GUARD	4	(SUB FOR M810460)
29	M801018	RETAINER	4	NOZZLE
30	14M7303	FLANGE NUT	8	M6
31	AM879737	CYLINDER HEAD	1	
32	AT211695	LIFT LINK	1	
33	19M7865	SCREW	2	M8 X 16
34	14M7273	NUT	3	M8



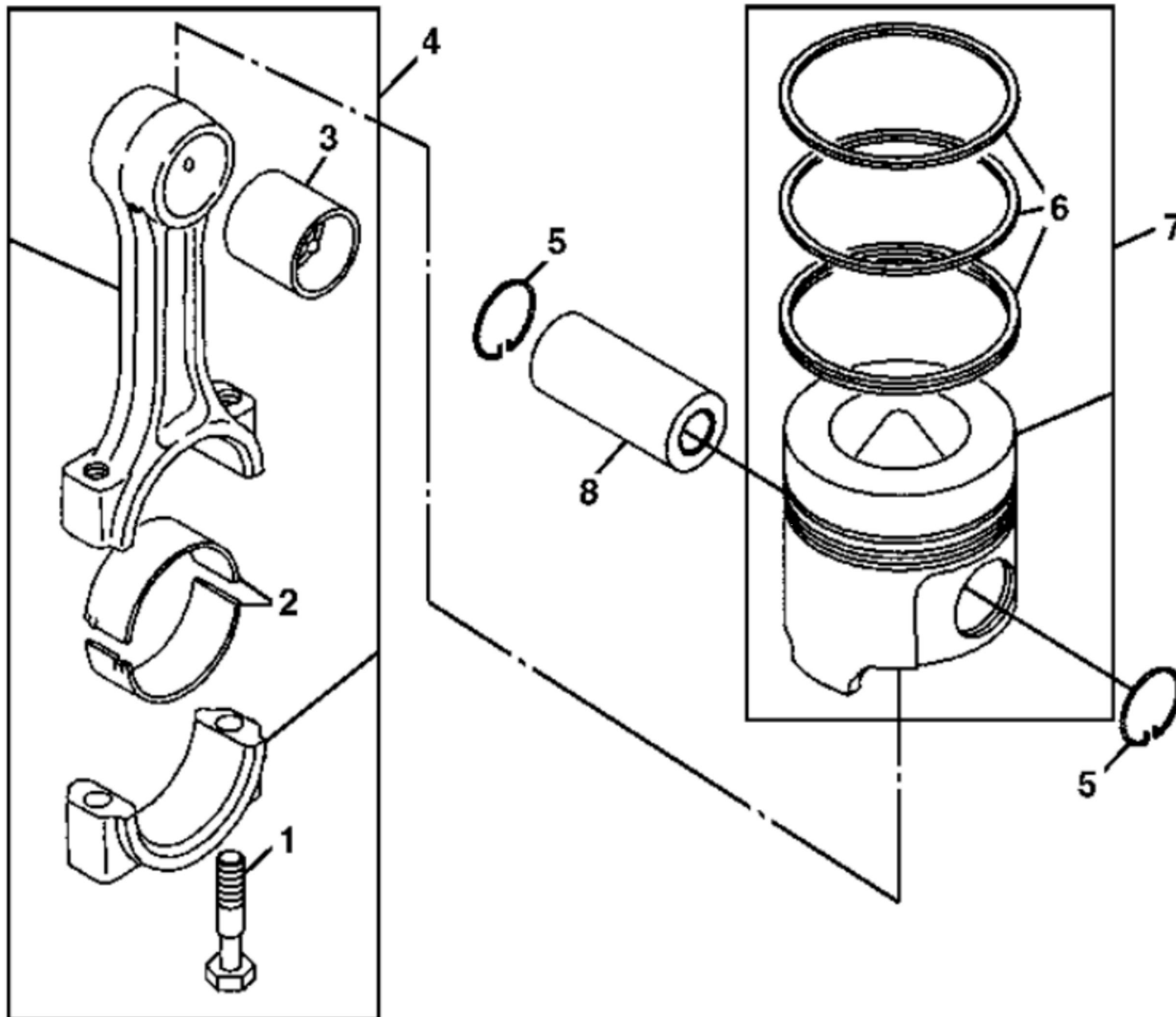
MP25330

KEY	PART NO.	PART NAME	QTY	REMARKS	
1	CH10348	NUT	3		
2	CH10568	PACKING	3		
3	19M7865	SCREW	2	M8 X 16	
4	M801031	CAP	1		
5	M801033	PLATE	1		
6	M801034	O-RING	1		
7	M801032	DEFLECTOR	1		
8	M801230	GASKET	1		
9	M805710	CAP	1		
10	M805711	PACKING	1		
11	RG60621	COVER	1		
12	M801037	HOSE	1	BREATHER	



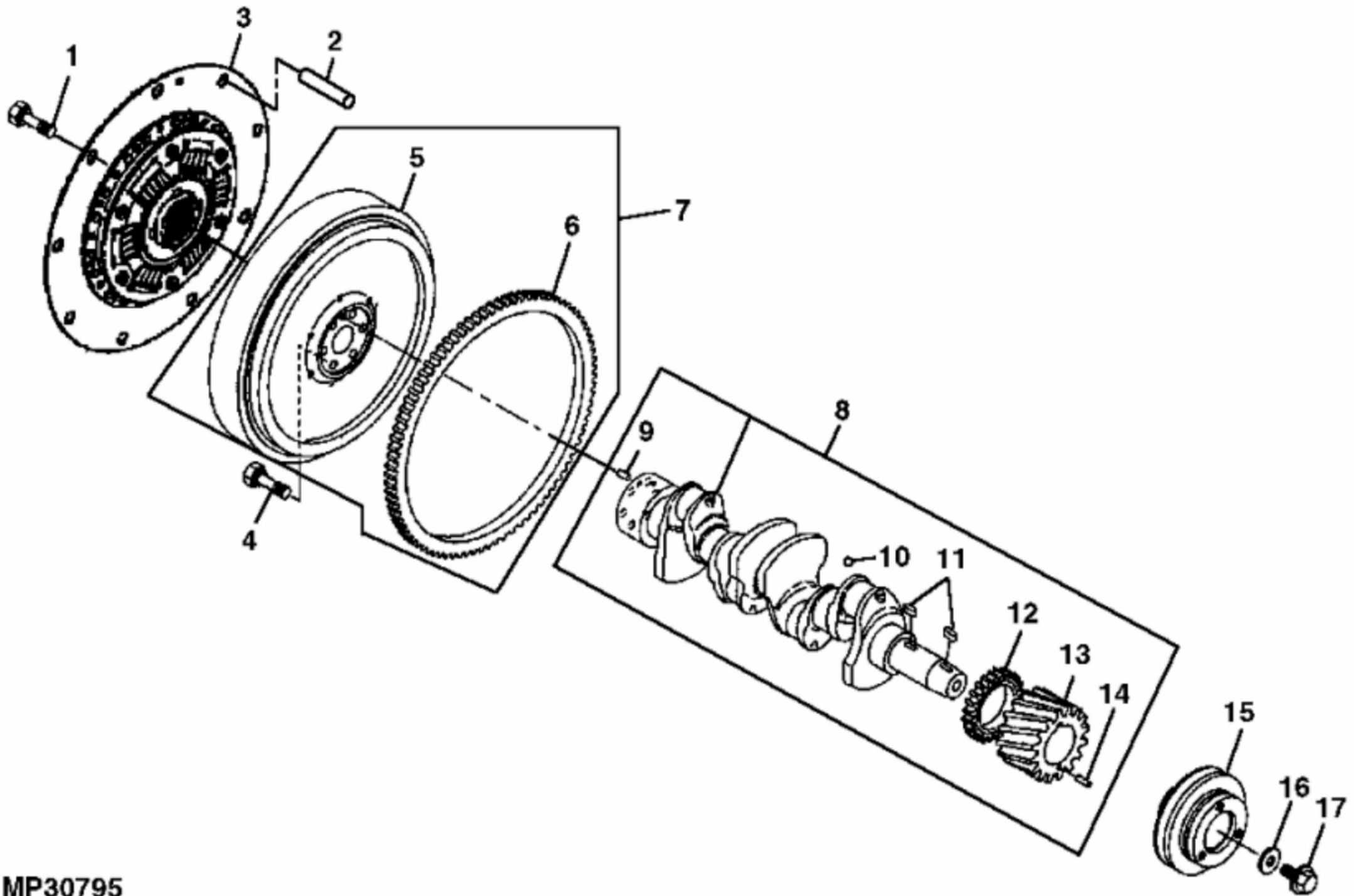
MP25331

KEY	PART NO.	PART NAME	QTY	REMARKS
1	M802618	BRACKET	1	
2	CH13505	BALL BEARING	2	(SUB FOR CH16063)
3	GEAR	1	
4	AM876339	GEAR	1	
5	M805840	GASKET	1	
6	M801238	PUSH ROD	8	
7	M801046	CAM FOLLOWER	8	
8	CAMSHAFT	1	
9	M801045	SHAFT KEY	1	
10	THRUST BEARING	1	
11	GEAR	1	
12	AM875386	CAMSHAFT	1	
13	CH19780	BOLT	2	
14	GEAR	1	
15	M801050	BUSHING	1	
16	AM875315	GEAR	1	IDLE
17	M801239	GEAR	1	FUEL INJECTION PUMP
18	12M7067	LOCK WASHER	1	12 mm
19	14M7275	NUT	1	M12



MP18666

KEY	PART NO.	PART NAME	QTY	REMARKS	
1	CH15483	BOLT	2		
2	MIA880563	BEARING	1	STD, (SUB FOR AM875392)	
2	MIA880568	BEARING	1	.25 MM (.010") US, (SUB FOR AM875395)	
3	M801256	BEARING	1		
4	AM875391	CONNECTING ROD	3		
5	M806457	CLIP	6		
6	AM878555	PISTON RING KIT	1	STD	
6	AM878599	PISTON RING KIT	1	.25 MM (.010") OS	
7	AM880366	PISTON	3	STD	
7	AM880566	PISTON	3	.25 MM (.010") OS	
8	M806456	PISTON PIN	3		



MP30795



Download the full PDF manual instantly.

Our customer service e-mail:

aservicemanualpdf@yahoo.com