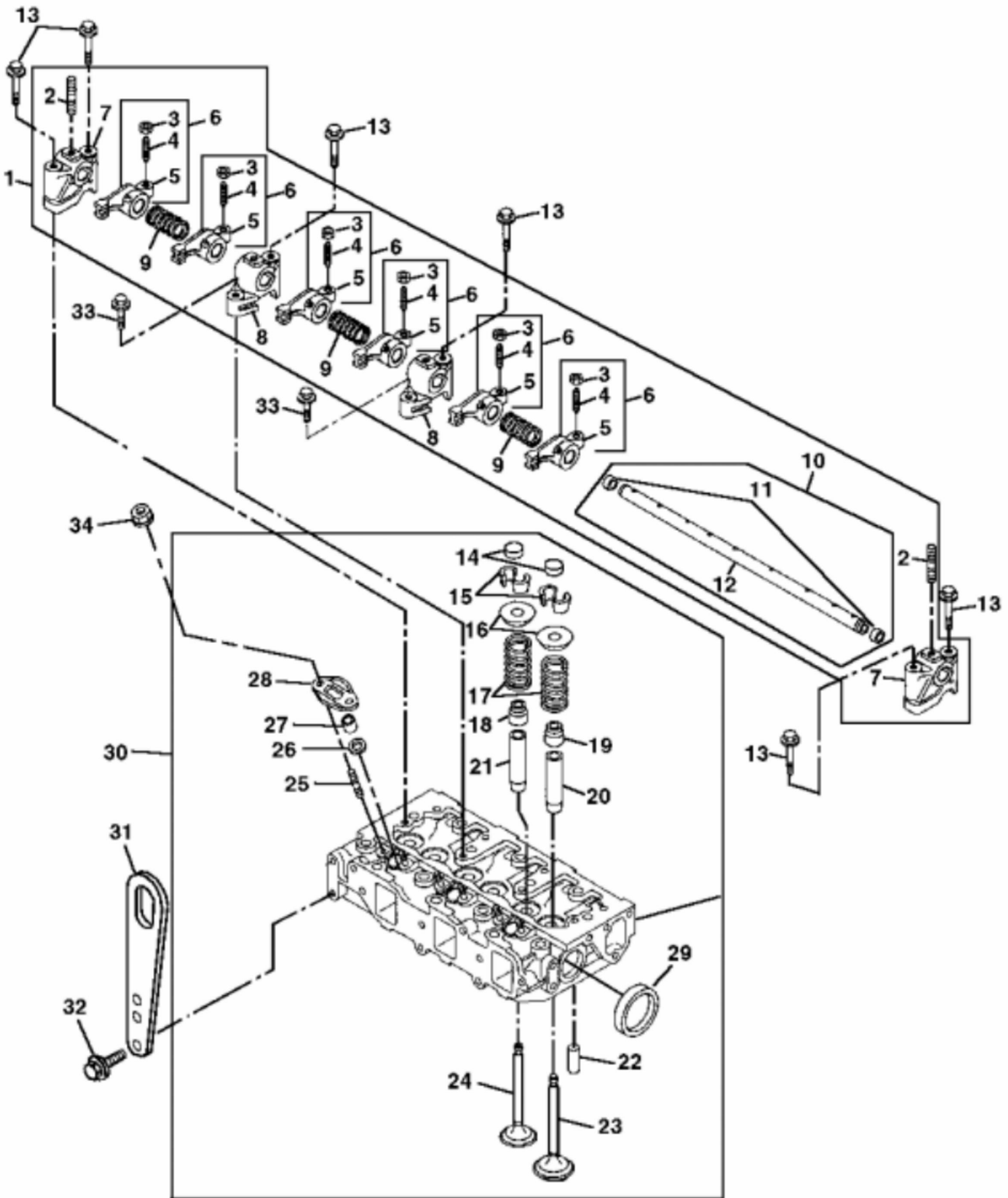


MP28670

| KEY | PART NO.  | PART NAME                   | QTY | REMARKS                                    |
|-----|-----------|-----------------------------|-----|--|
| 1   | M801186   | BOLT                        | 14  |  |
| 2   | M806811   | ENGINE CYLINDER HEAD GASKET | 1   |  |
| 3   | AM878845  | CYLINDER BLOCK              | 1   |  |
| 4   | CH10335   | PLUG                        | 3   |  |
| 5   | EPC200680 | PLUG                        | 1   |  |
| 6   | M802255   | PIN                         | 4   |  |
| 7   | .....     | DRAIN PLUG                  | 1   |  |
| 8   | CH18079   | SPRING PIN                  | 2   |  |
| 9   | 30M7023   | PLUG                        | 6   |  |
| 10  | 15H562    | PIPE PLUG                   | 1   | 1"   |
| 11  | M800977   | BUSHING                     | 1   | CAMSHAFT                                   |
| 12  | M800978   | SHAFT                       | 1   | IDLER                                      |
| 13  | CH19101   | BOLT                        | 2   |  |
| 14  | M87801    | PLUG                        | 2   |  |
| 15  | M800974   | PIPE                        | 2   |  |
| 16  | MIA880555 | BEARING                     | 2   | THRUST, (SUB FOR AM875373)                 |
| 17  | AM875371  | BEARING KIT                 | 4   | MAIN, STD                                  |
| 17  | MIA880550 | BEARING                     | 4   | .25MM (.010") US, MAIN, (SUB FOR AM875374) |
| 18  | .....     | BEARING CAP                 | 3   |  |
| 19  | M801189   | BOLT                        | 8   |  |
| 20  | .....     | BEARING CAP                 | 1   |  |
| 21  | LVU12384  | HEAT SHIELD                 | 1   | RH   |
| 22  | LVU12389  | HEAT SHIELD                 | 1   | LH   |
| 23  | 19M7785   | BOLT                        | 1   | M10 X 25                                   |
| 24  | 19M7864   | BOLT                        | 2   | M8 X 12                                    |
| 25  | 19M7866   | BOLT                        | 1   | M8 X 20                                    |
| 26  | 19M7784   | BOLT                        | 1   | M10 X 20                                   |
| 27  | 14M7298   | FLANGE NUT                  | 1   | M8   |
| 28  | 24M7213   | WASHER                      | 1   | 10.500 X 25 X 4 mm                         |
| 29  | R183947   | SPACER                      | 1   | (SUB FOR LVU13714)                         |
| ..  | AM131603  | ENGINE                      | 1   | (MARKED 3TNE88-EJT441) (SUB AM880569)      |
| ..  | AM880569  | SHORT BLOCK ASSEMBLY        | 1   |  |
| ..  | LVU13639  | SEAL                        | 1   | RH AIRDAM SHIELD                           |
| ..  | LVU13645  | SEAL                        | 1   | LH AIRDAM SHIELD                           |
| ..  | LVU10366  | ISOLATOR                    | 1   | BOTTOM AIRDAM SHIELD                       |



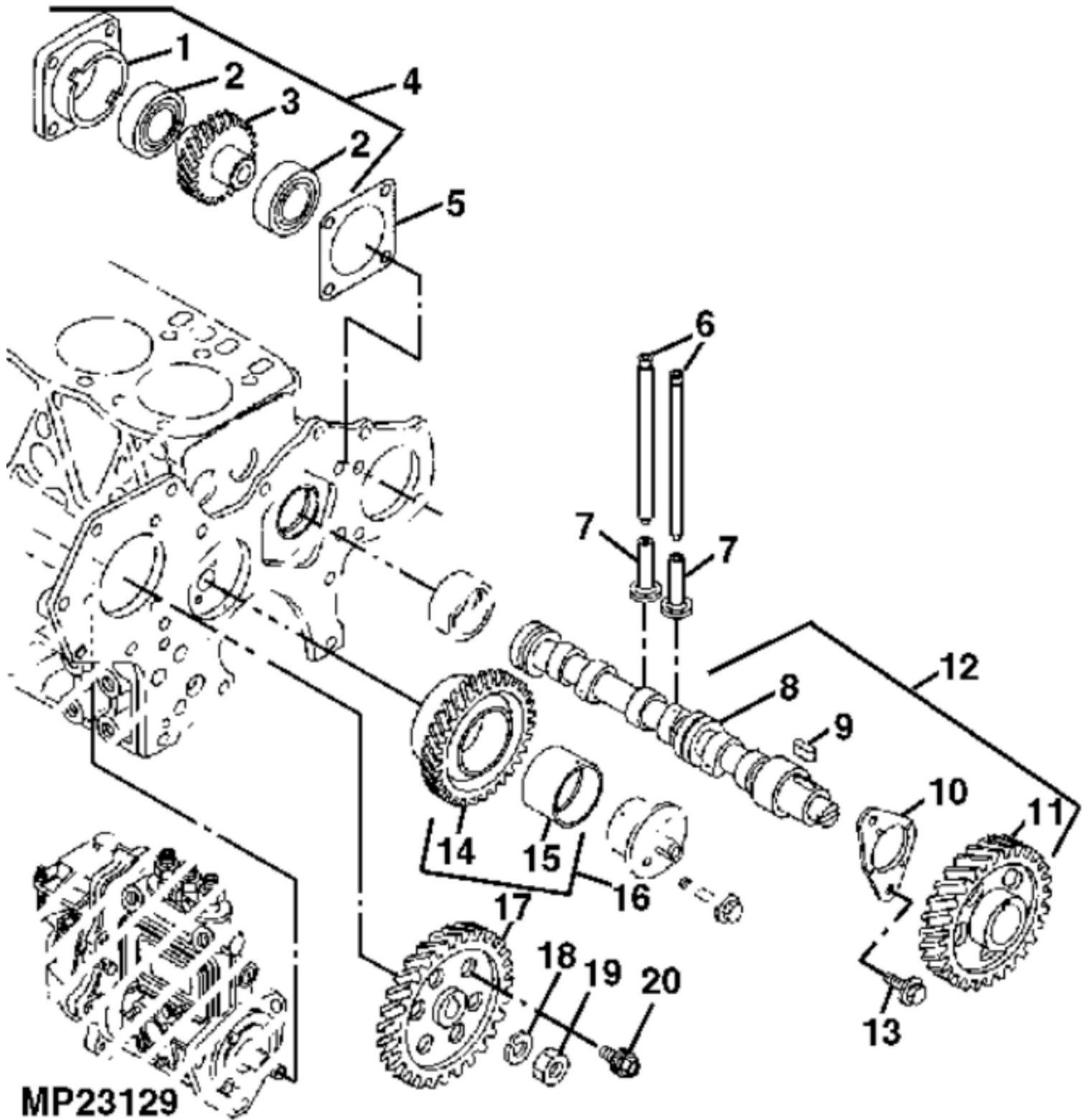
MP25255

## ARMS

| KEY | PART NO. | PART NAME        | QTY | REMARKS                       |
|-----|----------|------------------|-----|-------------------------------|
| 1   | AM875533 | SUPPORT          | 1   |                               |
| 2   | M801024  | STUD             | 3   |                               |
| 3   | M801028  | NUT              | 1   |                               |
| 4   | M801027  | SCREW            | 1   |                               |
| 5   | .....    | ROCKER ARM       | 1   |                               |
| 6   | AM875383 | ROCKER ARM       | 6   |                               |
| 7   | M801022  | SUPPORT          | 2   | ROCKER ARM                    |
| 8   | M801023  | SUPPORT          | 2   | ROCKER ARM                    |
| 9   | M801025  | SPRING           | 3   |                               |
| 10  | AM875534 | SHAFT            | 1   |                               |
| 11  | M800002  | PLUG             | 2   |                               |
| 12  | .....    | ROCKER ARM SHAFT | 1   |                               |
| 13  | 19M7800  | SCREW            | 6   | M8 X 50                       |
| 14  | M801224  | CAP              | 6   |                               |
| 15  | CH10067  | RETAINER         | 3   | NLA, (2 PER PKG)              |
| 16  | M801223  | RETAINER         | 6   | SPRING                        |
| 17  | M801222  | SPRING           | 6   | VALVE                         |
| 18  | T110650  | SEAL             | 3   | EXHAUST VALVE                 |
| 19  | CH10450  | SEAL             | 3   | INTAKE VALVE                  |
| 20  | M801227  | GUIDE            | 3   | INTAKE VALVE                  |
| 21  | M801228  | GUIDE            | 3   | EXHAUST VALVE                 |
| 22  | CH18079  | SPRING PIN       | 2   |                               |
| 23  | M801220  | INTAKE VALVE     | 3   |                               |
| 24  | M801221  | EXHAUST VALVE    | 3   |                               |
| 25  | M801219  | STUD             | 6   |                               |
| 26  | M801017  | VALVE SEAT       | 3   |                               |
| 27  | M801016  | GUARD            | 3   | (SUB FOR M806732 AND M810460) |
| 28  | M801018  | RETAINER         | 3   |                               |
| 29  | CH16751  | PLUG             | 2   |                               |
| 30  | AM880362 | CYLINDER HEAD    | 1   |                               |
| 31  | AT211695 | LIFT ARM         | 2   |                               |
| 32  | 19M7865  | SCREW            | 4   | M8 X 16                       |
| 33  | 19M7867  | SCREW            | 2   | M8 X 25                       |
| 34  | 14M7303  | FLANGE NUT       | 6   | M6                            |



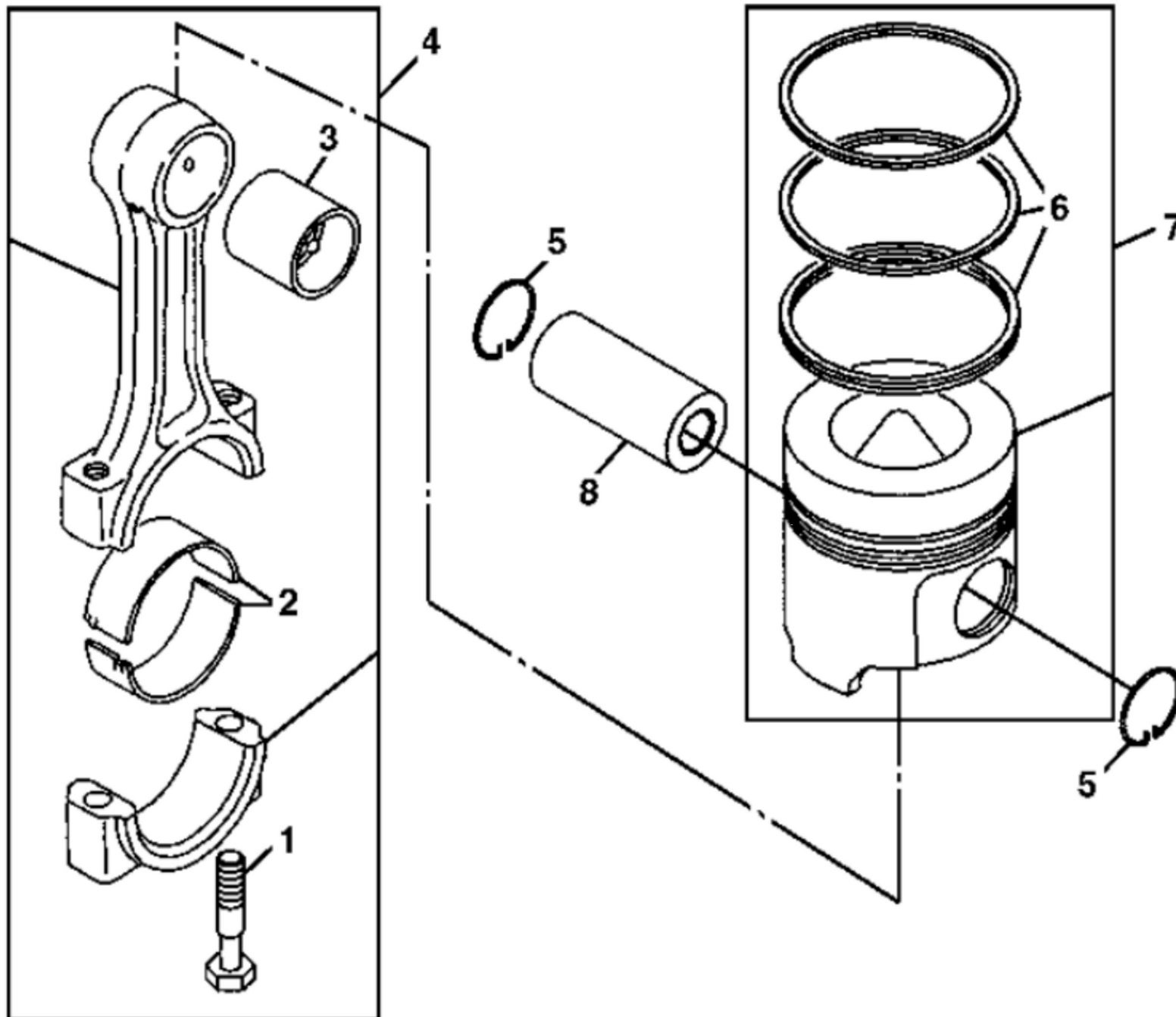
| KEY | PART NO. | PART NAME   | QTY | REMARKS  |
|-----|----------|-------------|-----|----------|
| 1   | CH10348  | NUT         | 3   |          |
| 2   | CH10568  | PACKING     | 3   |          |
| 3   | 19M7865  | SCREW       | 2   | M8 X 16  |
| 4   | M801031  | CAP         | 1   |          |
| 5   | M801033  | PLATE       | 1   |          |
| 6   | M801034  | O-RING      | 1   |          |
| 7   | M801032  | DEFLECTOR   | 1   |          |
| 8   | M801741  | PACKING     | 1   |          |
| 9   | M805710  | CAP         | 1   |          |
| 10  | M805711  | PACKING     | 1   |          |
| 11  | AT110858 | VALVE COVER | 1   |          |
| 12  | M804268  | HOSE        | 1   | BREATHER |



MP23129

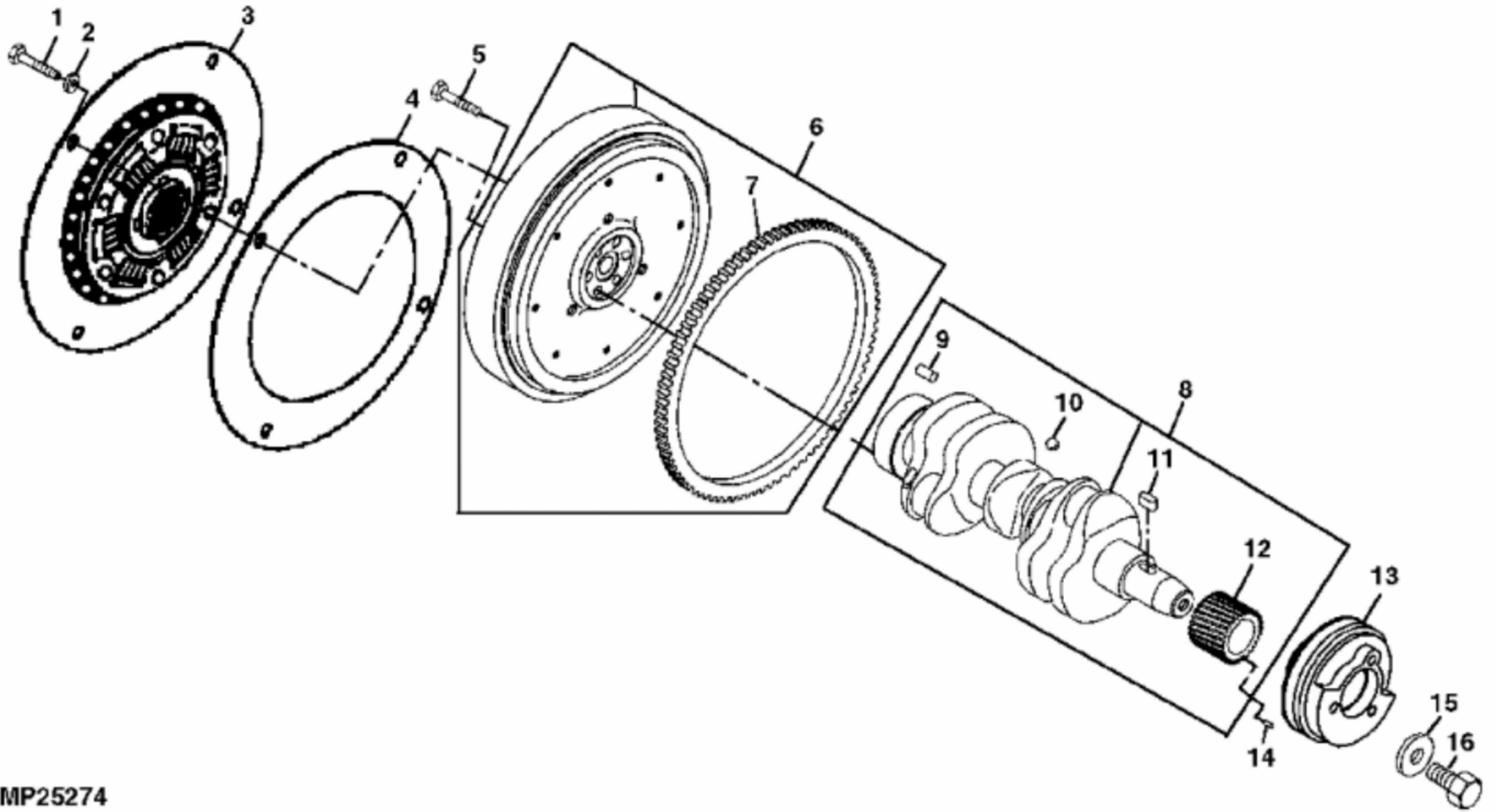
| KEY | PART NO. | PART NAME      | QTY | REMARKS             |
|-----|----------|----------------|-----|---------------------|
| 1   | M802618  | BRACKET        | 1   |                     |
| 2   | CH13505  | BALL BEARING   | 2   |                     |
| 3   | .....    | GEAR           | 1   |                     |
| 4   | AM876339 | GEAR           | 1   | H.O. PUMP           |
| 5   | M805840  | GASKET         | 1   |                     |
| 6   | M801238  | PUSH ROD       | 6   |                     |
| 7   | M801046  | CAM FOLLOWER   | 6   |                     |
| 8   | .....    | CAMSHAFT       | 1   |                     |
| 9   | M801045  | SHAFT KEY      | 1   |                     |
| 10  | .....    | THRUST BEARING | 1   |                     |
| 11  | .....    | GEAR           | 1   | CAMSHAFT            |
| 12  | AM876430 | CAMSHAFT       | 1   |                     |
| 13  | CH19780  | BOLT           | 2   |                     |
| 14  | .....    | GEAR           | 1   | IDLE                |
| 15  | M801050  | BUSHING        | 1   |                     |
| 16  | AM875315 | GEAR           | 1   |                     |
| 17  | M809488  | GEAR           | 1   | FUEL INJECTION PUMP |
| 18  | 12M7067  | LOCK WASHER    | 1   | 12 mm               |
| 19  | 14M7275  | NUT            | 1   | M12                 |
| 20  | .....    | BOLT           | 4   |                     |





MP18666

| KEY | PART NO.  | PART NAME              | QTY | REMARKS                               |  |
|-----|-----------|------------------------|-----|---------------------------------------|--|
| 1   | CH15483   | BOLT                   | 2   |                                       |  |
| 2   | MIA880563 | BEARING                | 1   | STD, (SUB FOR AM875392)               |  |
| 2   | MIA880568 | BEARING                | 1   | .25 MM (.010") US, (SUB FOR AM875395) |  |
| 3   | M801256   | BEARING                | 1   |                                       |  |
| 4   | AM875391  | CONNECTING ROD         | 4   |                                       |  |
| 5   | M806457   | CLIP                   | 8   |                                       |  |
| 6   | AM879901  | PISTON RING            | 1   | STD                                   |  |
| 6   | AM878642  | PISTON RING KIT        | 1   | .25 MM (.010") OS                     |  |
| 7   | AM880521  | PISTON REPLACEMENT KIT | 1   | STD                                   |  |
| 7   | AM880518  | PISTON REPLACEMENT KIT | 1   | .25 MM (.010") OS                     |  |
| 8   | M806456   | PISTON PIN             | 4   |                                       |  |



MP25274



**Download the full PDF manual instantly.**

**Our customer service e-mail:**

**[aservicemanualpdf@yahoo.com](mailto:aservicemanualpdf@yahoo.com)**