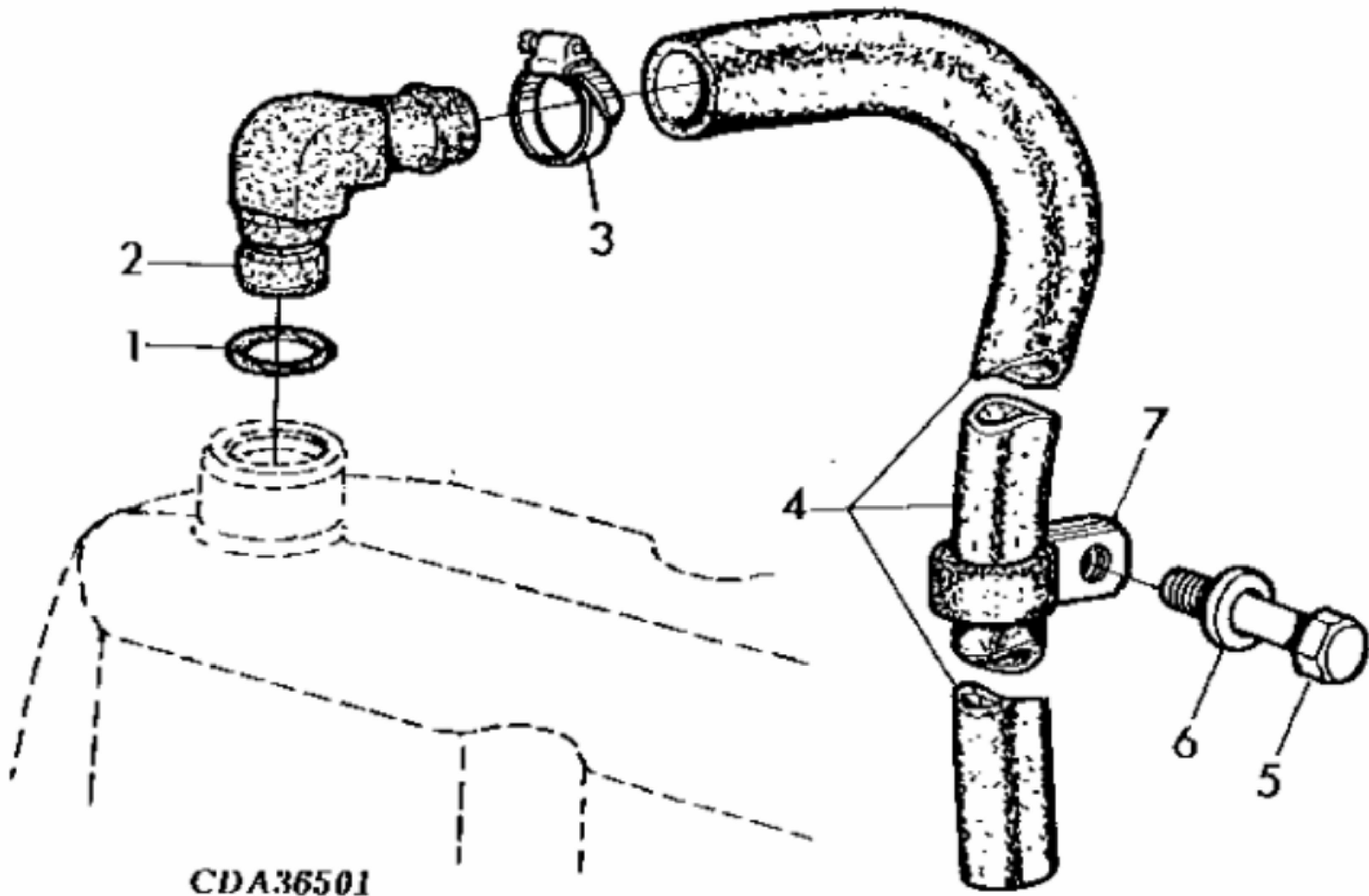
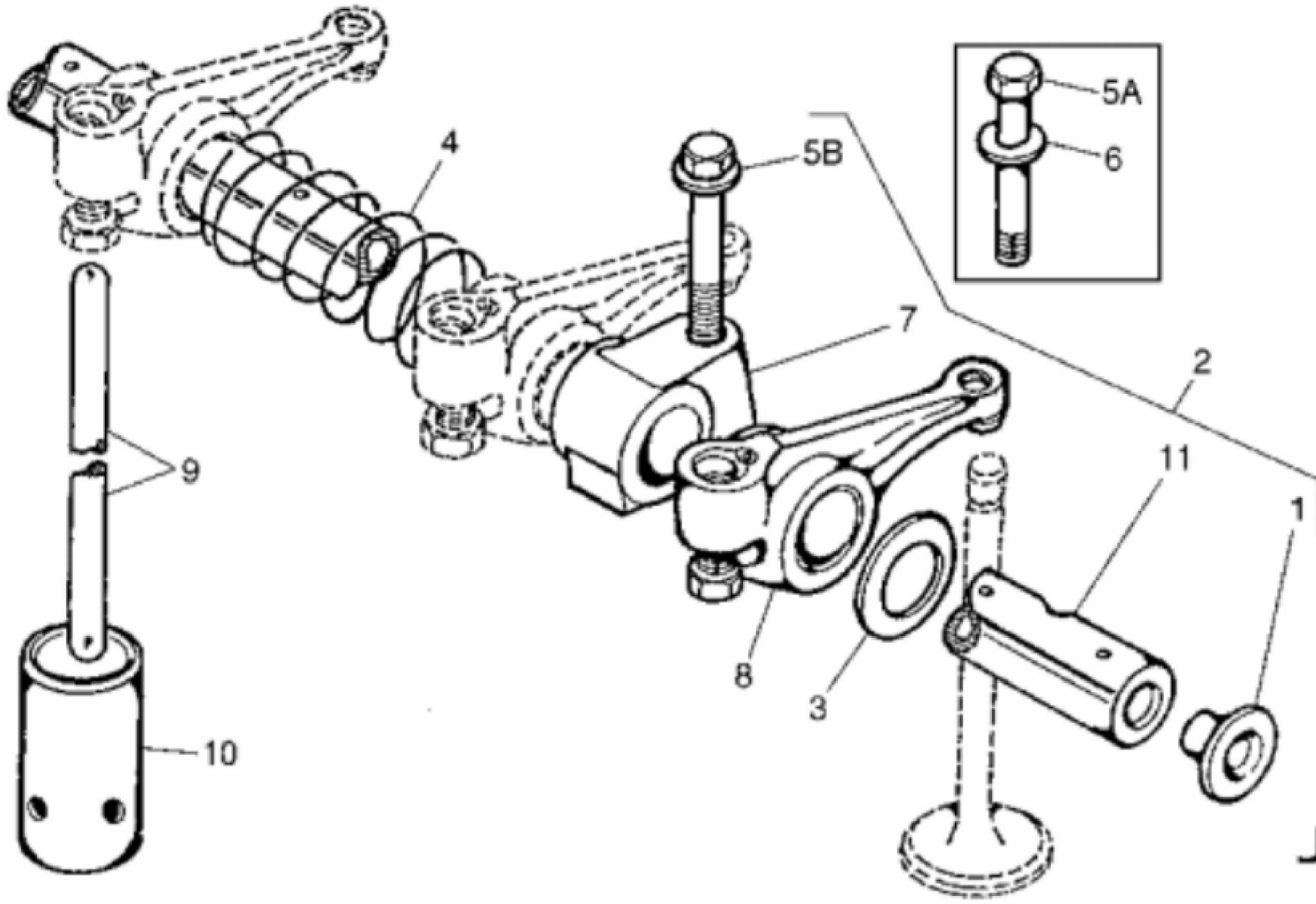


KEY	PART NO.	PART NAME	QTY	REMARKS	
1	R130942	MEDALLION	1		
2	RE32140	SCREW WITH WASHER	6		
3	RE44202	VALVE COVER	1		
4	R106796	GASKET	1	(CUT TO LENGTH)	



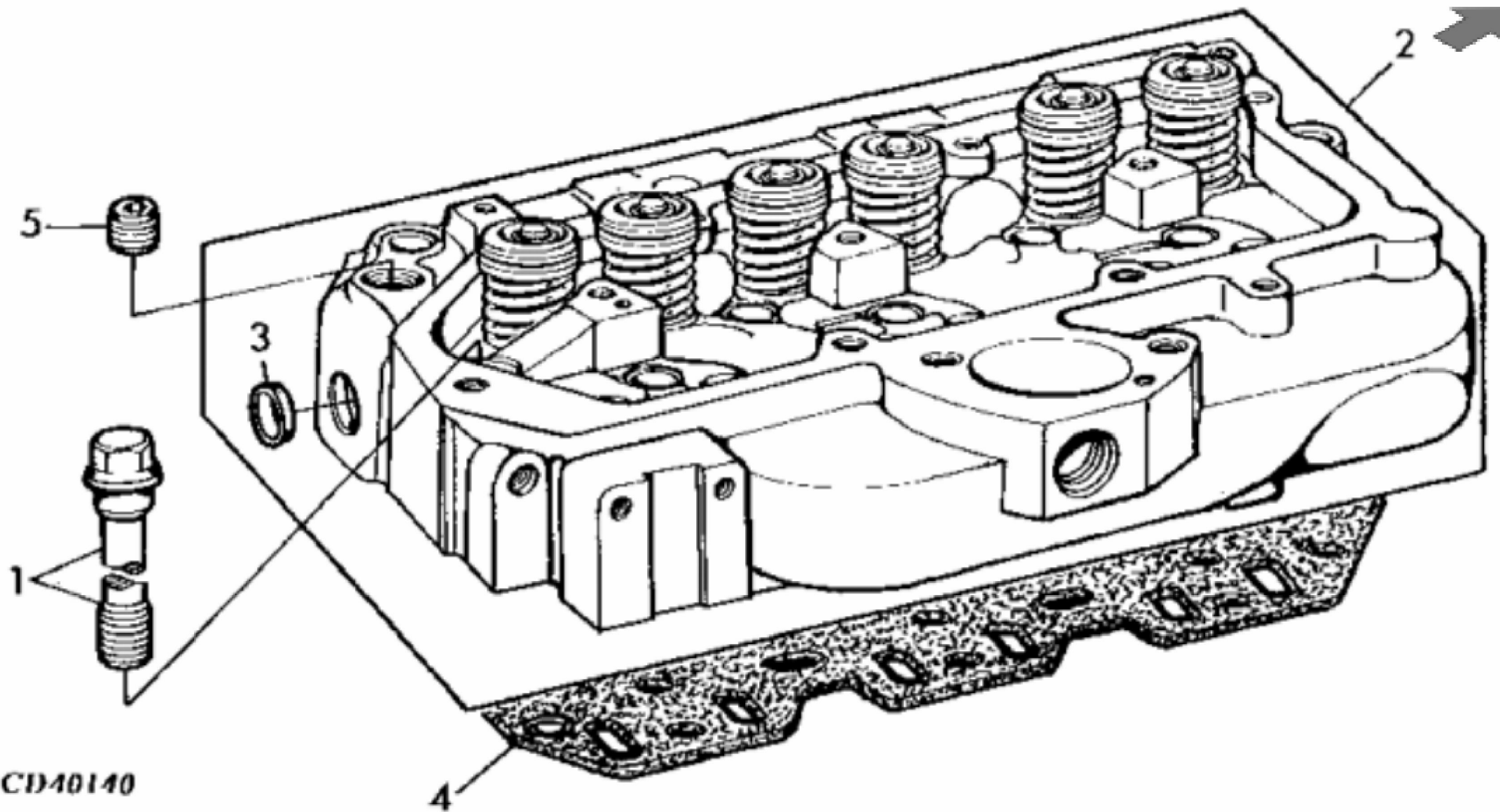
CDA36501

KEY	PART NO.	PART NAME	QTY	REMARKS	
1	R56463	O-RING	1		
2	R92154	ELBOW FITTING	1		
3	AT18904	CLAMP	1		
4	R122401	TUBE	1	LGTH 1290MM	
5	19H2038	CAP SCREW	AR	3/8" X 1/2"	
6	24M7096	WASHER	AR	10.500 X 18 X 1.600 mm	
7	T35699	CLAMP	AR		



JOHN DEERE
RGP8910

KEY	PART NO.	PART NAME	QTY	Engine Serial No.	REMARKS
1	R54565	PLUG	2		
2	RE502875	ROCKER ARM SHAFT	1	____-XXXXXX	(SUB FOR R54985, THIS APPLICATION) (SUB RE519735, THIS APPLICATION, (6) R515095 AND (6) R518454)
2	RE519735	ROCKER ARM SHAFT	1	XXXXXX-____	
3	T20316	WASHER	2		
4	T20314	SPRING	2		
5A	19H3031	CAP SCREW	3	____-XXXXXX	3/8" X 2-1/2", (HS, SAE 8)
5B	R504813	SELF-LOCKING SCREW	3	XXXXXX-____	(SUB FOR R501529)
6	R42729	WASHER	3	____-XXXXXX	(USE WITH 19H3031)
7	T20315	SUPPORT	3	____-XXXXXX	(SUB R123161 AND R504813)
7	R123161	SUPPORT	1	XXXXXX-____	
8	RE31973	ROCKER ARM	6	____-XXXXXX	(SUB RE508317, THIS APPLICATION, R515095 AND R518454)
8	RE508317	ROCKER ARM	6	XXXXXX-____	(ALSO ORDER R518454)
9	R82896	PUSH ROD	6	____-XXXXXX	(SUB FOR T20310, THIS APPLICATION) (USE WITH RE31973)
9	R515095	PUSH ROD	6	XXXXXX-____	(USE WITH RE508317)
10	T20073	CAM FOLLOWER	6		
11	R501532	SHAFT	1		



CD40140



Download the full PDF manual instantly.

Our customer service e-mail:

aservicemanualpdf@yahoo.com