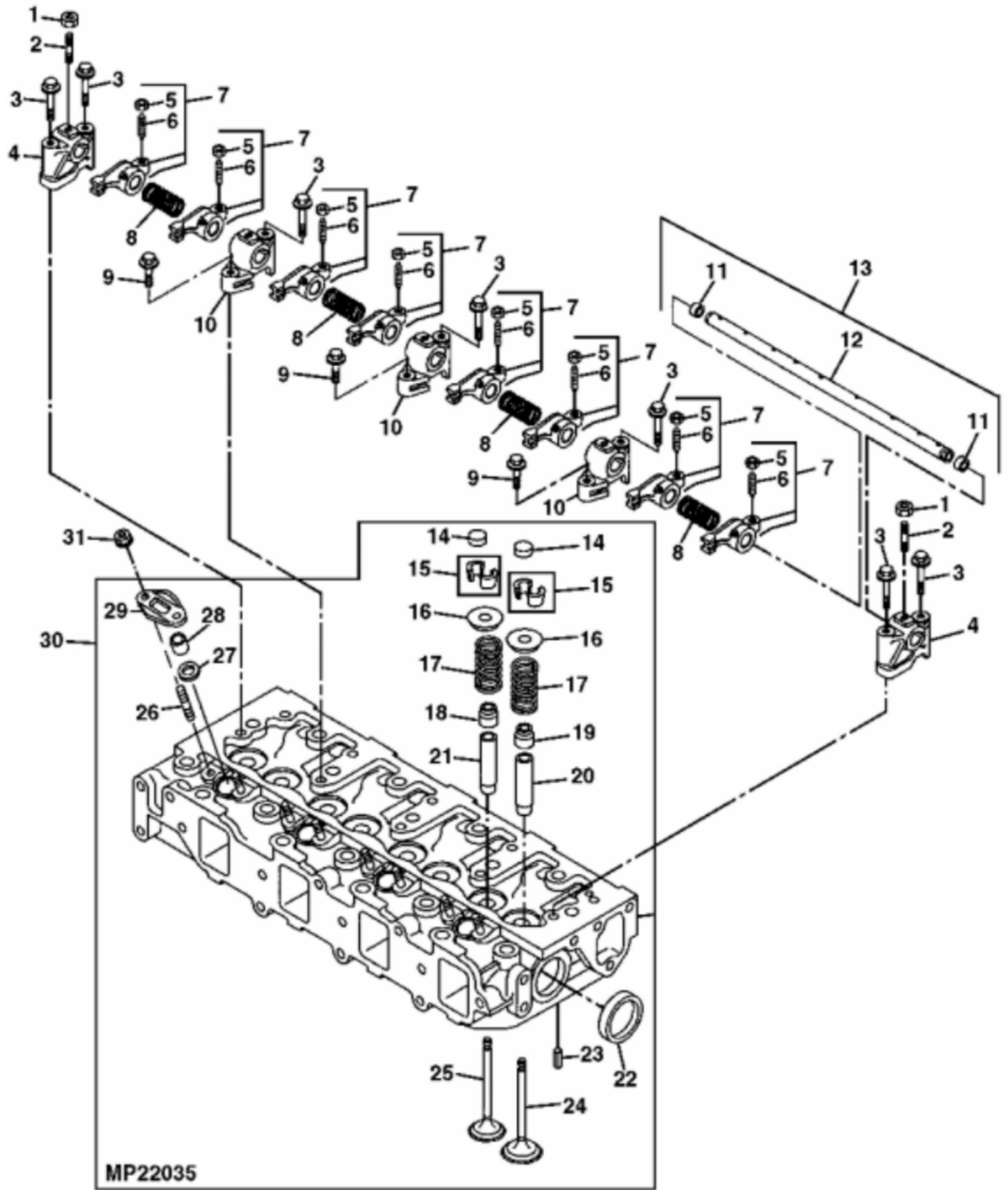


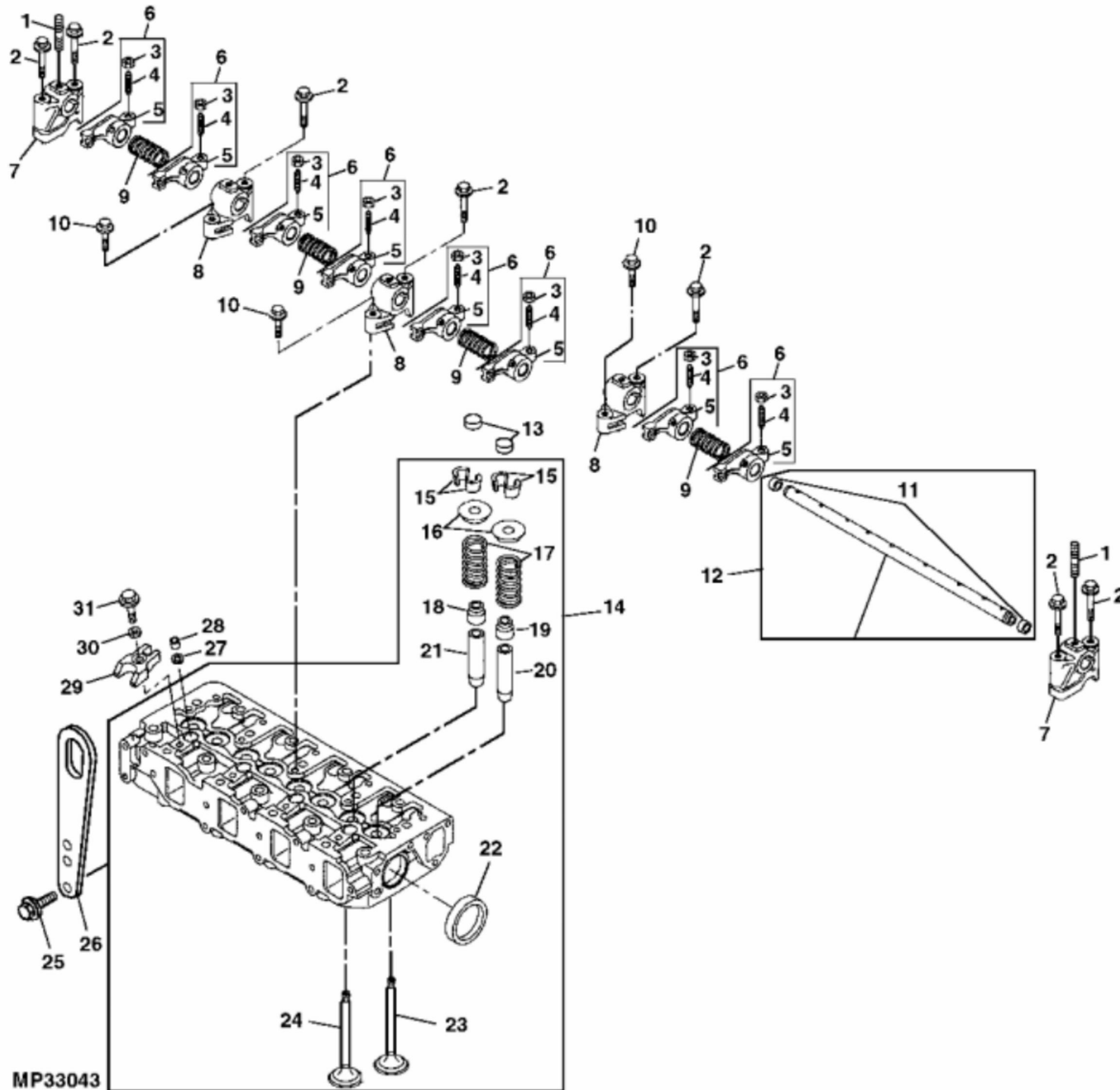
KEY	PART NO.	PART NAME	QTY	REMARKS
1	M801186	BOLT	18	
2	M806505	ENGINE CYLINDER HEAD GASKET	1	
3	AM879992	CYLINDER BLOCK	1	(ENGINE MARKED 4TNE84)
3	AM881947	CYLINDER BLOCK	1	(ENGINE MARKED 4TNV84)
4	T113961	PLUG	1	(ENGINE MARKED 4TNE84)
4	M811307	PLUG	1	(ENGINE MARKED 4TNV84)
5	M802255	PIN	4	
6	30M7023	PLUG	8	
7	M806840	PLUG	1	
8	CH18079	SPRING PIN	2	
9	M806938	PLUG	1	(ENGINE MARKED 4TNE84)
10	15H562	PIPE PLUG	1	1"
11	M800977	BUSHING	1	NLA; Camshaft
12	M800978	SHAFT	1	IDLER (ENGINE MARKED 4TNE84)
12	M811055	SHAFT	1	IDLER (ENGINE MARKED 4TNV84)
13	CH19101	BOLT	2	M8 X 45 , (ENGINE MARKED 4TNE84)
13	19M8317	BOLT	3	(ENGINE MARKED 4TNV84)
14	M87801	PLUG	2	
15	M800974	PIPE	2	
16	CH10554	PACKING	4	
17	19M7864	SCREW	4	M8 X 12
18	AM875371	BEARING KIT	5	MAIN, STD (ENGINE MARKED 4TNE84)
18	MIA880554	BEARING	5	MAIN, STD (ENGINE MARKED 4TNV84) (SUB FOR AM881821)
18	MIA880550	BEARING	5	.25 MM (.010") US, MAIN, (SUB FOR AM875374)
19	BEARING CAP	4	
20	BEARING CAP	1	
21	MIA880555	BEARING	2	THRUST (SUB FOR AM875373)
22	M801189	BOLT	10	
23	CH10335	PLUG	2	
24	EPC200680	PLUG	1	(ENGINE MARKED 4TNE84)
24	CH10314	PLUG	1	(ENGINE MARKED 4TNV84)
25	M811084	SPACER	1	(ENGINE MARKED 4TNV84)
26	AM882543	CRANKSHAFT	1	Not Illustrated
27	M809565	DRAIN PLUG	1	Not Illustrated

KEY	PART NO.	PART NAME	QTY	REMARKS	
..	AM880565	SHORT BLOCK ASSEMBLY	1	(ENGINE MARKED 4TNE84)	
..	AM881956	SHORT BLOCK ASSEMBLY	1	NLA; ORDER MIA882691 (ENGINE MARKED 4TNV84)	
..	MIA882691	SHORT BLOCK ASSEMBLY	1		



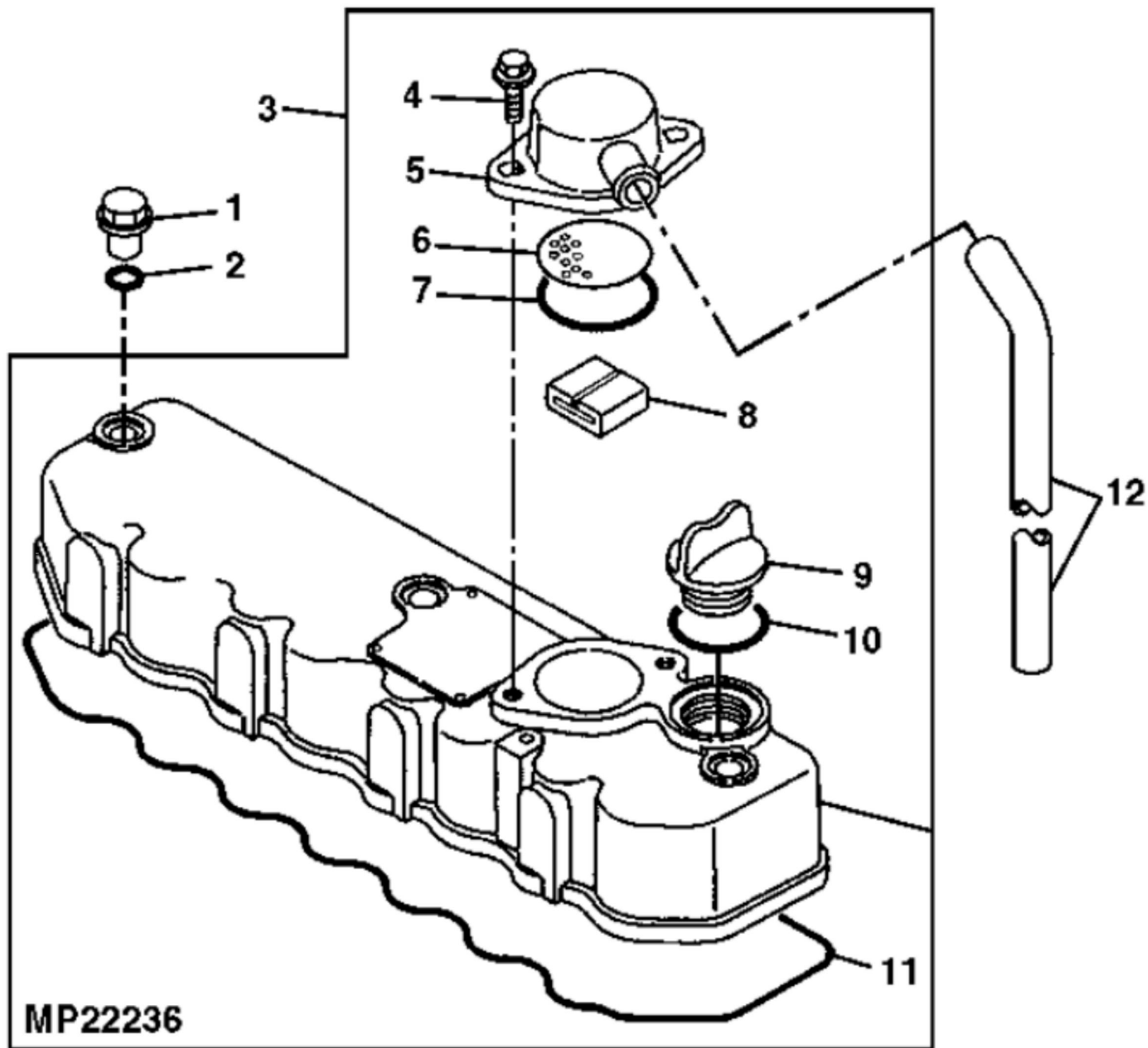
MP22035

KEY	PART NO.	PART NAME	QTY	REMARKS
1	14M7273	NUT	3	M8
2	M801024	STUD	3	
3	19M7800	SCREW	7	M8 X 50
4	M801022	SUPPORT	2	
5	M801028	NUT	1	
6	M801027	SCREW	1	
7	AM875383	ARM	8	
8	M801025	SPRING	4	
9	19M7867	SCREW	3	M8 X 25
10	M801023	SUPPORT	3	
11	PLUG	2	
12	SHAFT	1	
13	AM875382	SHAFT	1	
14	M801224	CAP	8	
15	AM878862	RETAINER KIT	8	VALVE KEEPER (INCLUDES 2 HALVES)
16	M801223	RETAINER	8	
17	M801222	SPRING	8	
18	T110650	SEAL	4	
19	CH10450	SEAL	4	
20	M801227	GUIDE	4	INTAKE VALVE
21	M801228	GUIDE	4	EXHAUST VALVE
22	CH16751	PLUG	2	
23	CH18079	SPRING PIN	1	
24	M801220	INTAKE VALVE	4	
25	M801221	EXHAUST VALVE	4	
26	M801219	BOLT	8	M6 X 20
27	M801017	VALVE SEAT	4	
28	M801016	GUARD	4	(SUB FOR M810460)
29	M801018	RETAINER	4	
30	AM879737	CYLINDER HEAD	1	
31	14M7303	FLANGE NUT	8	M6

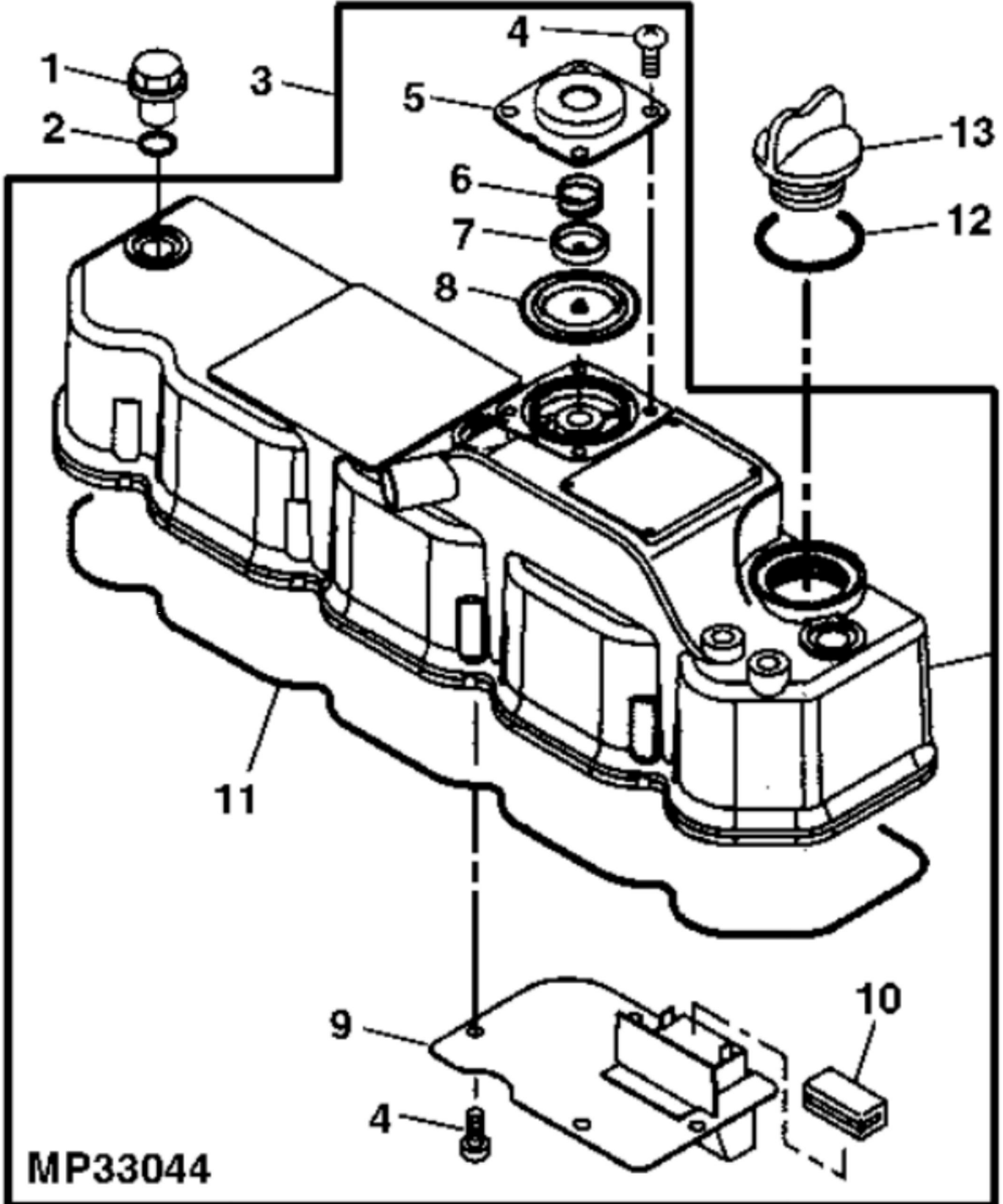


MP33043

KEY	PART NO.	PART NAME	QTY	REMARKS
1	M801024	STUD	3	(A)
2	19M7800	BOLT	7	
3	M801028	NUT	1	(A)
4	M801027	SCREW	1	(A)
5	ARM	1	(A)
6	AM881820	ROCKER ARM	8	(A)
7	M811050	SUPPORT	2	(A) ROCKER ARM
8	M811051	SUPPORT	3	(A) ROCKER ARM
9	M801025	SPRING	4	(A)
10	19M7867	BOLT	3	
11	M800002	PLUG	2	(A)
12	M811121	SHAFT	1	(A) ROCKER ARM
13	M801224	CAP	8	
14	AM881802	CYLINDER HEAD	1	
15	AM878862	RETAINER KIT	8	PKG OF 2, VALVE RETAINER
16	M801223	RETAINER	8	SPRING
17	M801222	SPRING	8	VALVE
18	T110650	SEAL	4	EXHAUST
19	CH10450	SEAL	4	INTAKE
20	M801227	GUIDE	4	INTAKE
21	M801228	GUIDE	4	EXHAUST
22	CH16751	PLUG	2	
23	M811086	INTAKE VALVE	4	
24	M811796	EXHAUST VALVE	4	(SUB FOR M801221) (SUB MIU800494)
25	19M7865	BOLT	2	
26	AT211695	LIFT LINK	1	
27	M801017	VALVE SEAT	4	
28	M811052	GUARD	4	
29	M811088	RETAINER	4	
30	M811080	WASHER	4	
31	19M7897	BOLT	4	
..	AM881804	KIT	1	ROCKER SHAFT (INCLUDES PARTS MARKED (A))



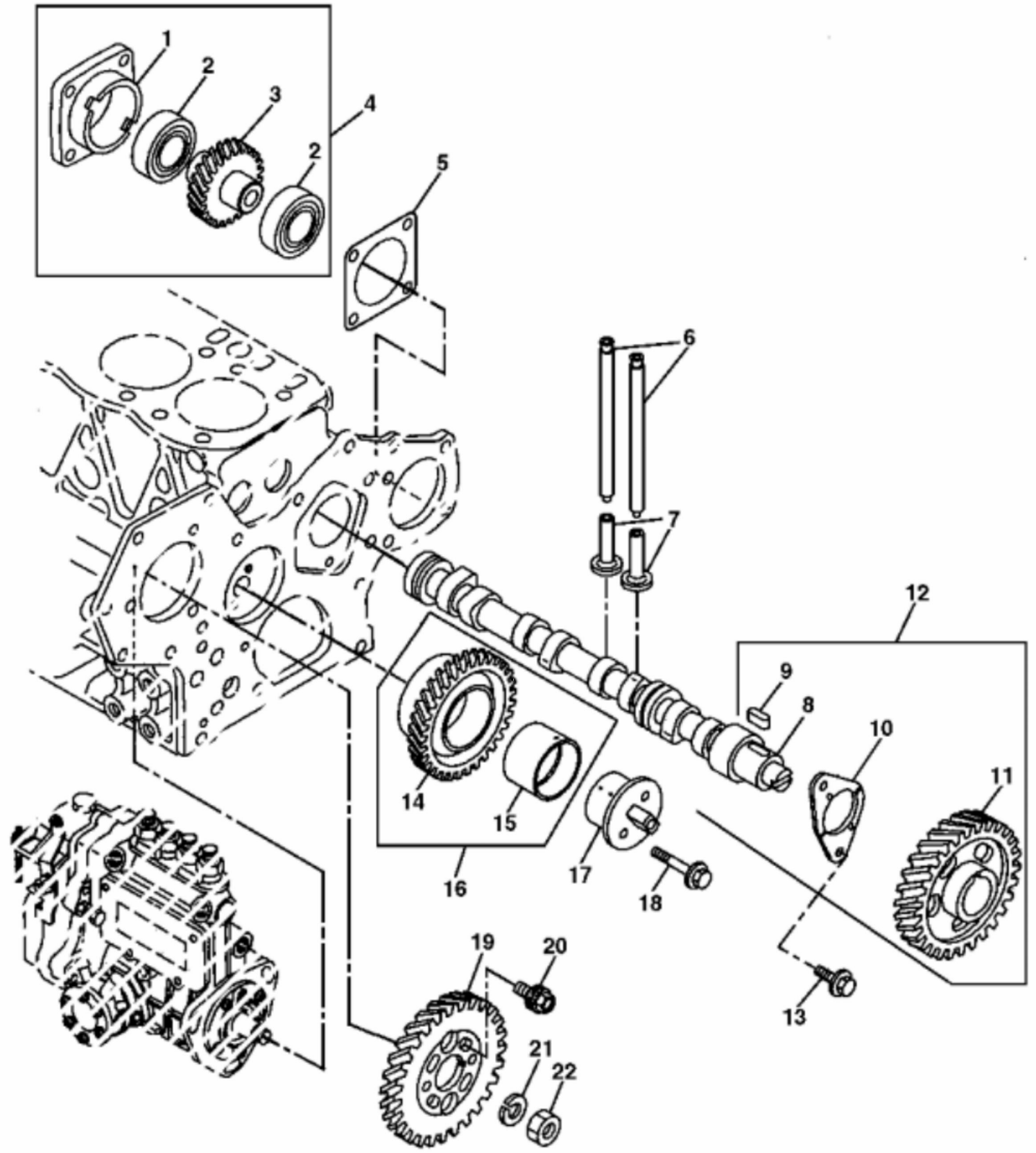
KEY	PART NO.	PART NAME	QTY	REMARKS	
1	CH10348	NUT	3		
2	CH10568	PACKING	3		
3	RG60621	COVER	1		
4	19M7865	SCREW	2	M8 X 16	
5	M801031	CAP	1	BREATHER	
6	M801033	PLATE	1		
7	M801034	O-RING	1		
8	M801032	DEFLECTOR	1		
9	M805710	CAP	1	OIL FILL	
10	M805711	GASKET	1		
11	M801230	GASKET	1	COVER	
12	M801037	HOSE	1		



MP33044

(ENGINE MARKED 4TNV84)

KEY	PART NO.	PART NAME	QTY	REMARKS	
1	CH10348	NUT	3		
2	CH10568	PACKING	3		
3	AM881803	VALVE COVER	1		
4	M807374	SCREW	8		
5	M811649	COVER	1	BREATHER (SUB FOR M811047)	
6	M811650	SPRING	1	(SUB FOR M811049)	
7	M811046	PLATE	1		
8	M811048	DIAPHRAGM	1		
9	M811085	PLATE	1		
10	M801032	DEFLECTOR	1		
11	M811123	GASKET	1		
12	M805711	PACKING	1		
13	M805710	CAP	1		



MP22239



Download the full PDF manual instantly.

Our customer service e-mail:

aservicemanualpdf@yahoo.com