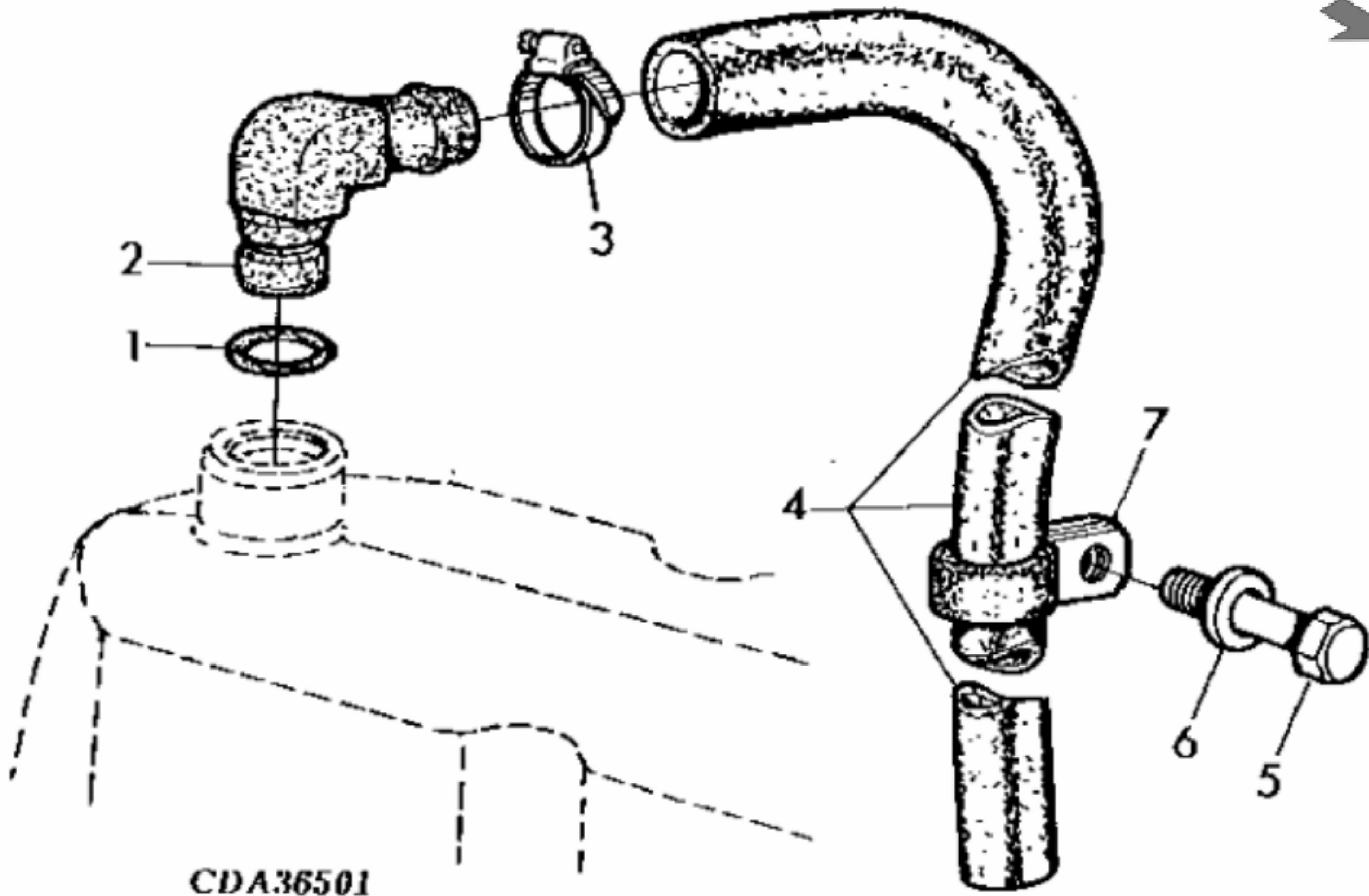
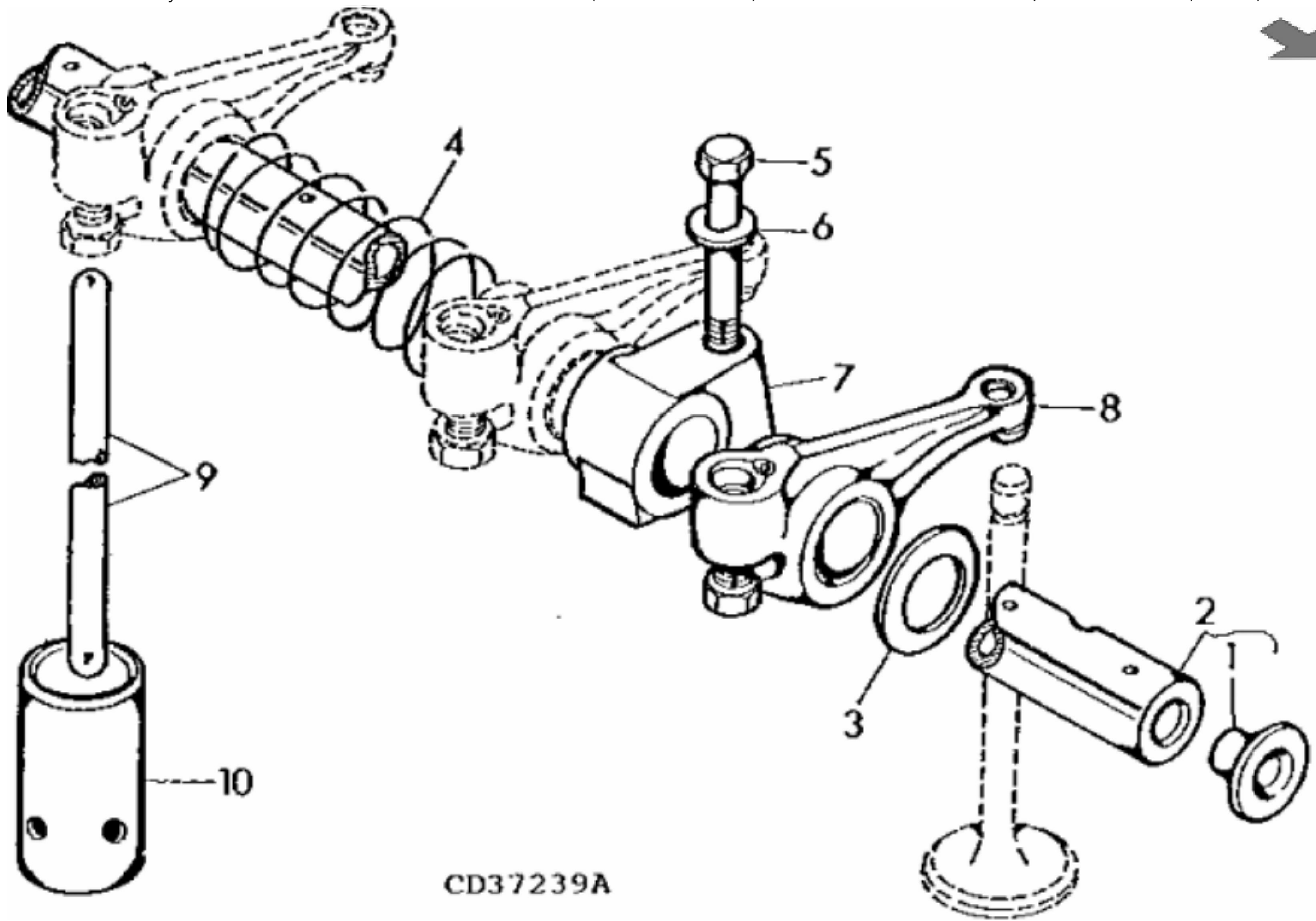


KEY	PART NO.	PART NAME	QTY	5310N	REMARKS	
1	R130942	MEDALLION	1	X		
2	RE32140	SCREW WITH WASHER	6	X		
3	RE44202	VALVE COVER	1	X		
4	R106796	O-RING	1	X	(CUT TO LENGTH)	



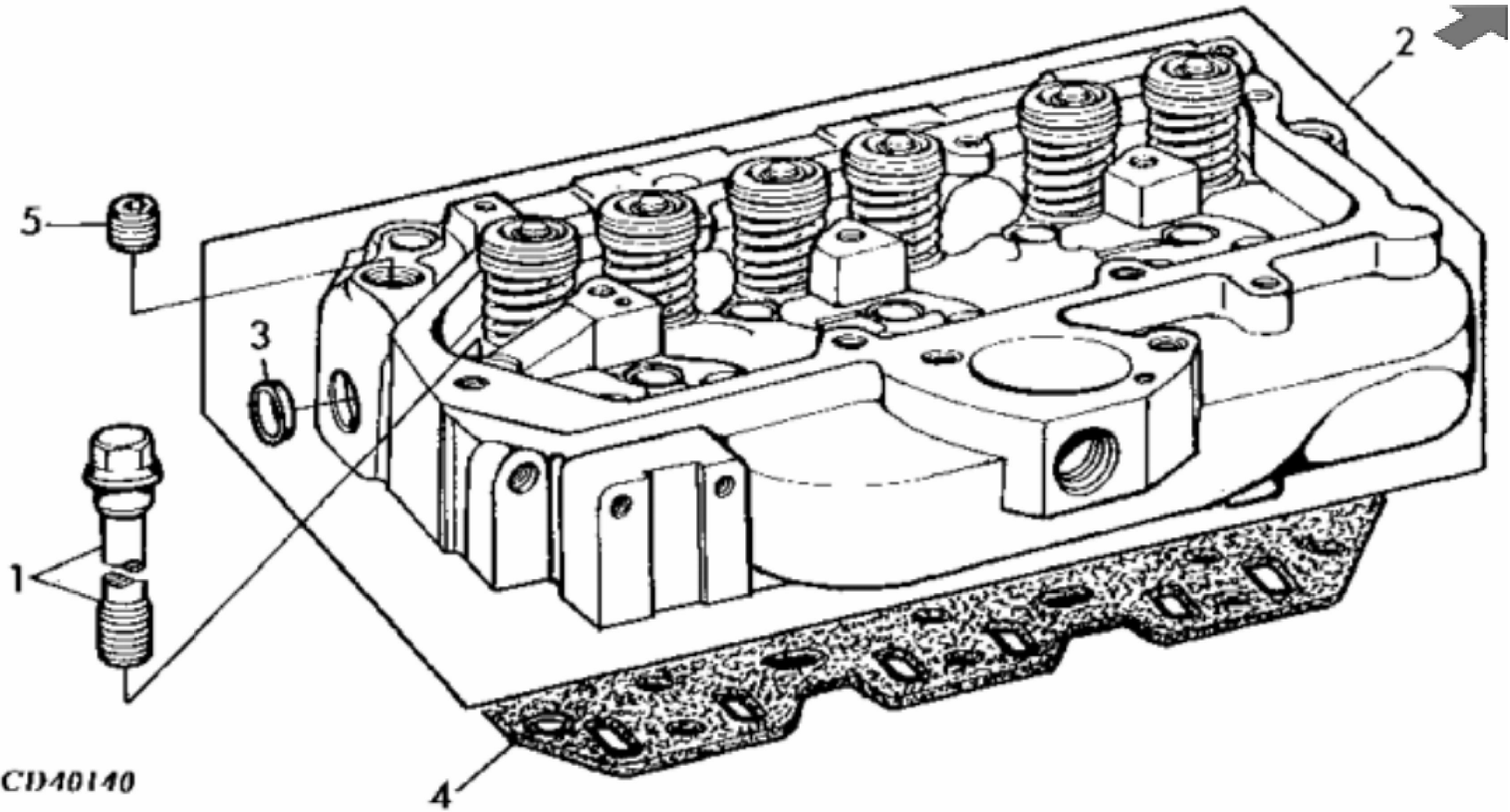
CDA36501

KEY	PART NO.	PART NAME	QTY	5310N	REMARKS	
1	R56463	O-RING	1	X		
2	R92154	ELBOW FITTING	1	X		
3	AT18904	CLAMP	1	X		
4	R122401	TUBE	1	X	LGTH= 1290MM	
5	19H2038	CAP SCREW	AR	X	3/8" X 1/2"	
6	24M7096	WASHER	AR	X	10.500 X 18 X 1.600 mm	
7	T35699	CLAMP	AR	X		



CD37239A

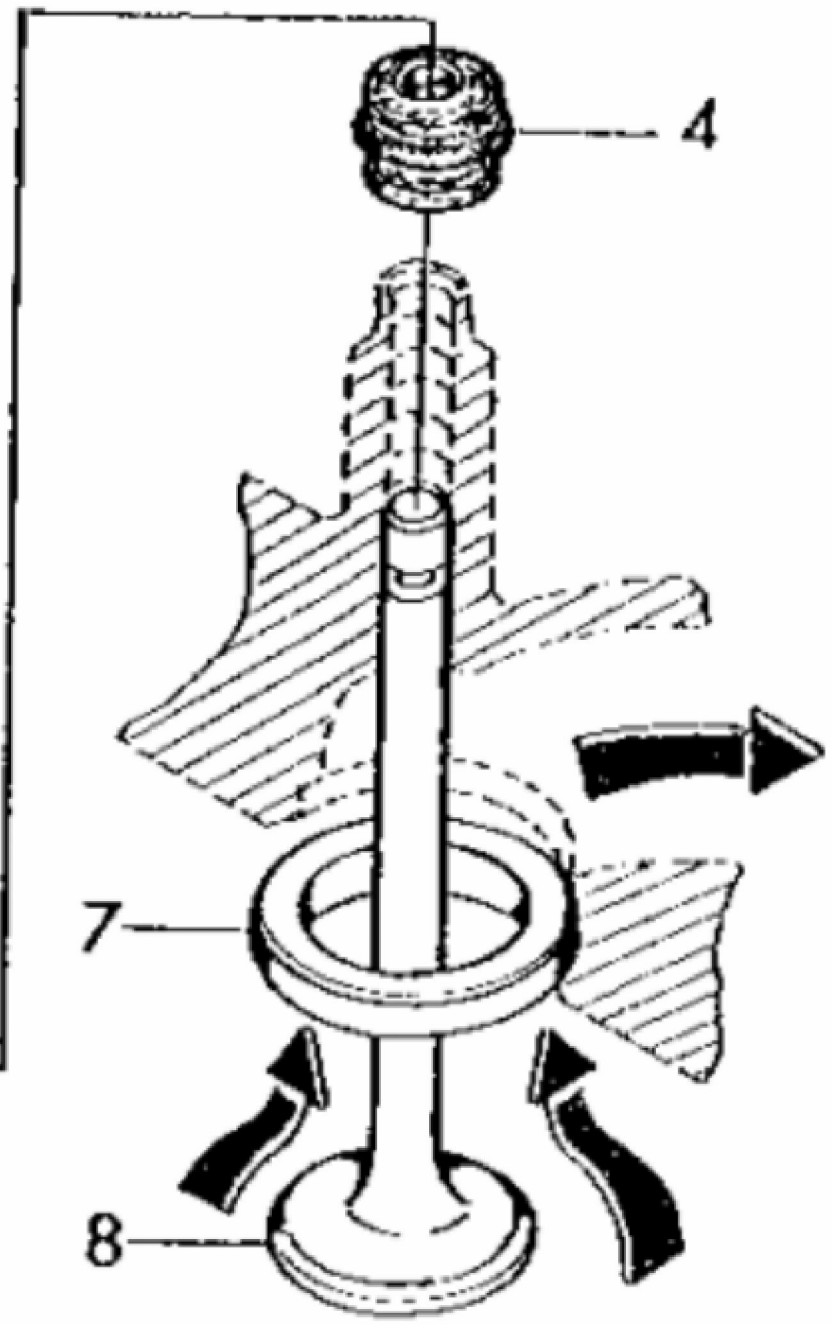
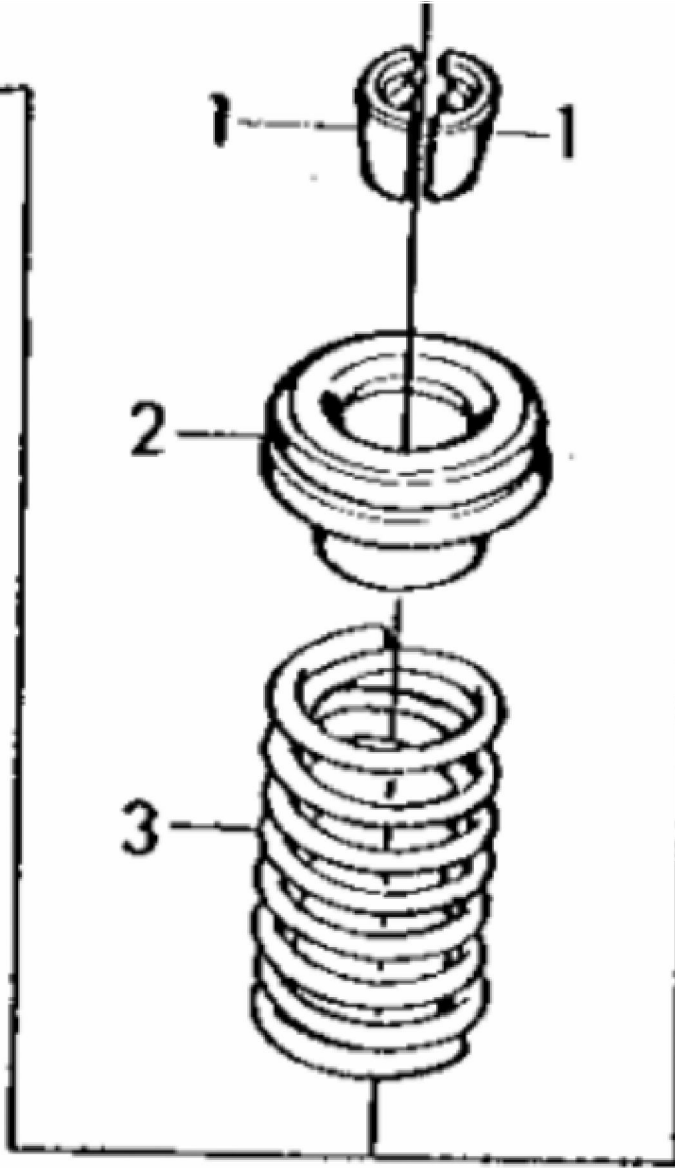
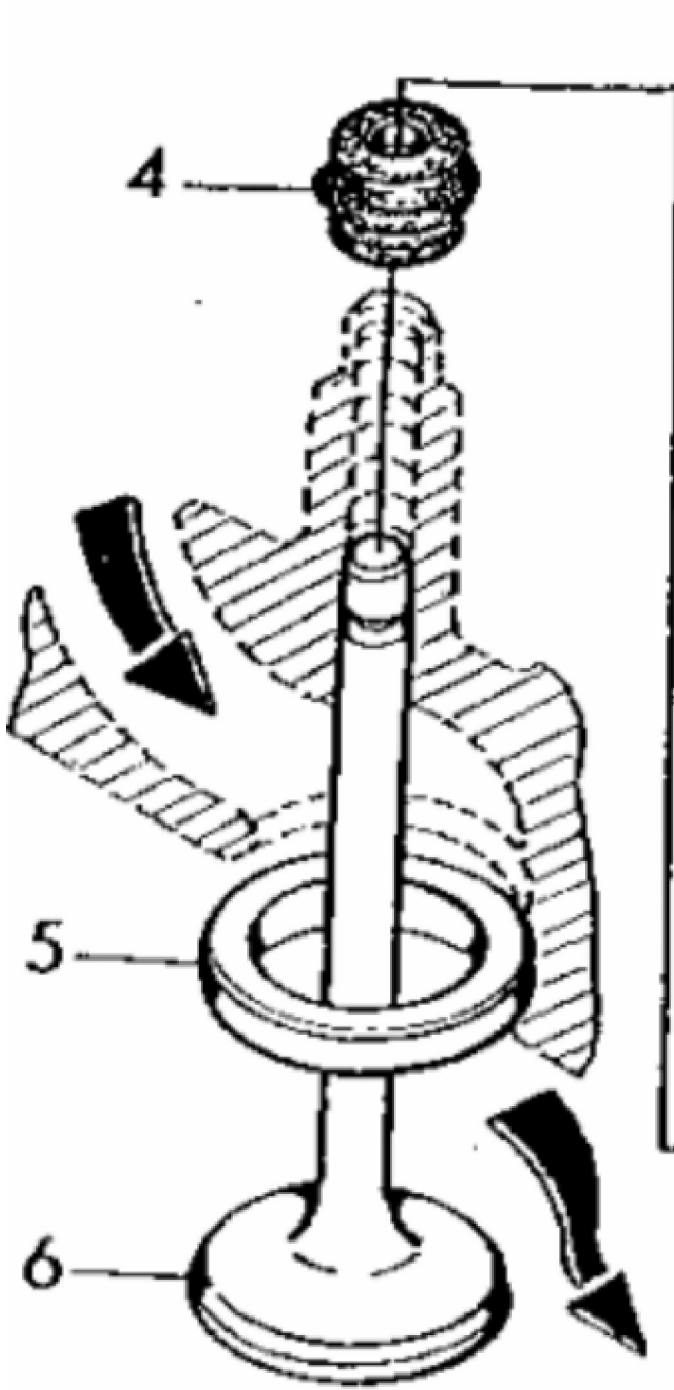
KEY	PART NO.	PART NAME	QTY	Engine Serial No.	5310N	REMARKS	
1	R54565	PLUG	2		X		
2	RE502875	ROCKER ARM SHAFT	1	____-XXXXXX	X	(SUB FOR DD12119) (SUB RE519735, THIS APPLICATION AND (6) R515095)	
2	RE519735	ROCKER ARM SHAFT	1	XXXXXX-____	X		
3	T20316	WASHER	2		X		
4	T20314	SPRING	2		X		
5	19H1733	CAP SCREW	3		X	3/8" X 2-1/2"	
6	R42729	WASHER	3		X		
7	R123161	SUPPORT	3		X	(SUB FOR T20315)	
8	RE31973	ROCKER ARM	6	____-XXXXXX	X	(CD3029 ENGINE) (SUB RE508317, THIS APPLICATION AND R515095)	
8	RE31973	ROCKER ARM	6	____-XXXXXX	X	(PE3029 ENGINE) (SUB RE508317, THIS APPLICATION, R515095 AND R518454)	
8	RE508317	ROCKER ARM	6	XXXXXX-____	X		
9	T20310	PIN	6	____-XXXXXX	X	(CD3029 ENGINE) (SUB RE508317, THIS APPLICATION AND R515095)	
9	T20310	PIN	6	____-XXXXXX	X	(PE3029 ENGINE) (SUB RE508317, THIS APPLICATION, R515095 AND R518454)	
9	R515095	PUSH ROD	6	XXXXXX-____	X	(USE WITH RE508317)	
10	T20073	CAM FOLLOWER	6		X		



CD40140

KEY	PART NO.	PART NAME	QTY	5310N	REMARKS	
1	R85363	CAP SCREW	14	X	12.7MM X 112MM (0.5" X 4.41")	
2	RE65214	CYLINDER HEAD	1	X	(MARKED R129657) (SUB FOR RE65215)	
3	CD16284	PLUG	2	X	OD=32.6MM	
4	R97356	ENGINE CYLINDER HEAD GASKET	1	X		
5	T58477	FITTING	AR	X	1/2"-14NPT, OR ORD 15H584	





CD37204

KEY	PART NO.	PART NAME	QTY	5310N	REMARKS	
1	R91889	RETAINER	12	X	OD=11.7MM	
2	RE60005	ROTATOR	6	X		
3	R26125	SPRING	6	X		
4	RE31617	SEAL	6	X	ID STD	
5	R106831	VALVE SEAT INSERT	3	X	(INTAKE) OD=47.22MM, (SUB FOR R106830)	
6	R98062	INTAKE VALVE	3	X	OD STD	
6	R97490	INTAKE VALVE	AR	X	OD +0.381MM	
6	R97491	INTAKE VALVE	AR	X	OD +0.762MM	
7	R106829	VALVE SEAT INSERT	3	X	(EXHAUST) OD=43.1MM, (SUB FOR R106828)	
8	R90692	EXHAUST VALVE	3	X	OD STD	
8	R97492	EXHAUST VALVE	AR	X	OD +0.381MM	
8	R97493	EXHAUST VALVE	AR	X	OD +0.762MM	



**Download the full PDF manual instantly.**

**Our customer service e-mail:**

**[aservicemanualpdf@yahoo.com](mailto:aservicemanualpdf@yahoo.com)**