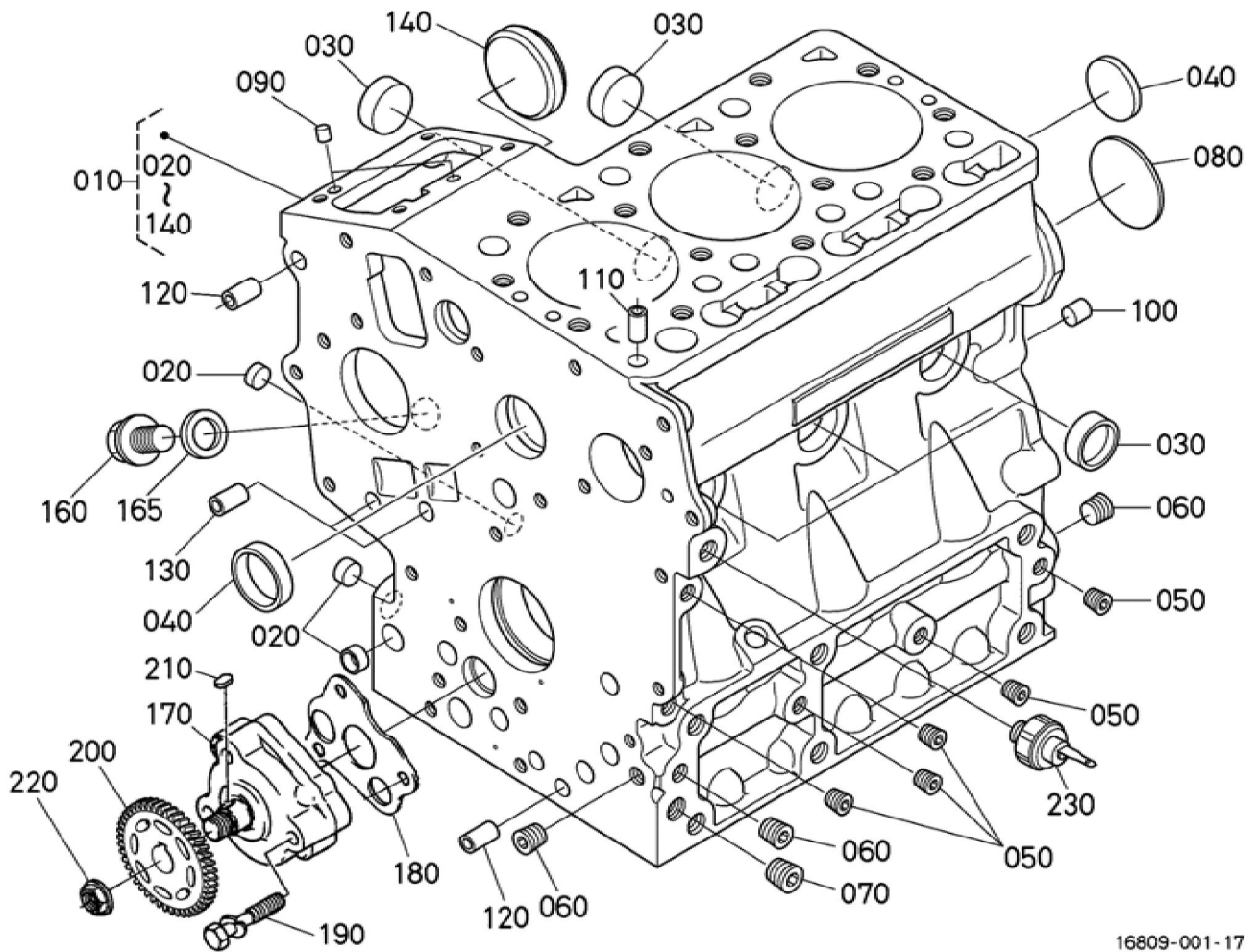


Update Date : 2020/04/27 Print Date : 2022/02/23

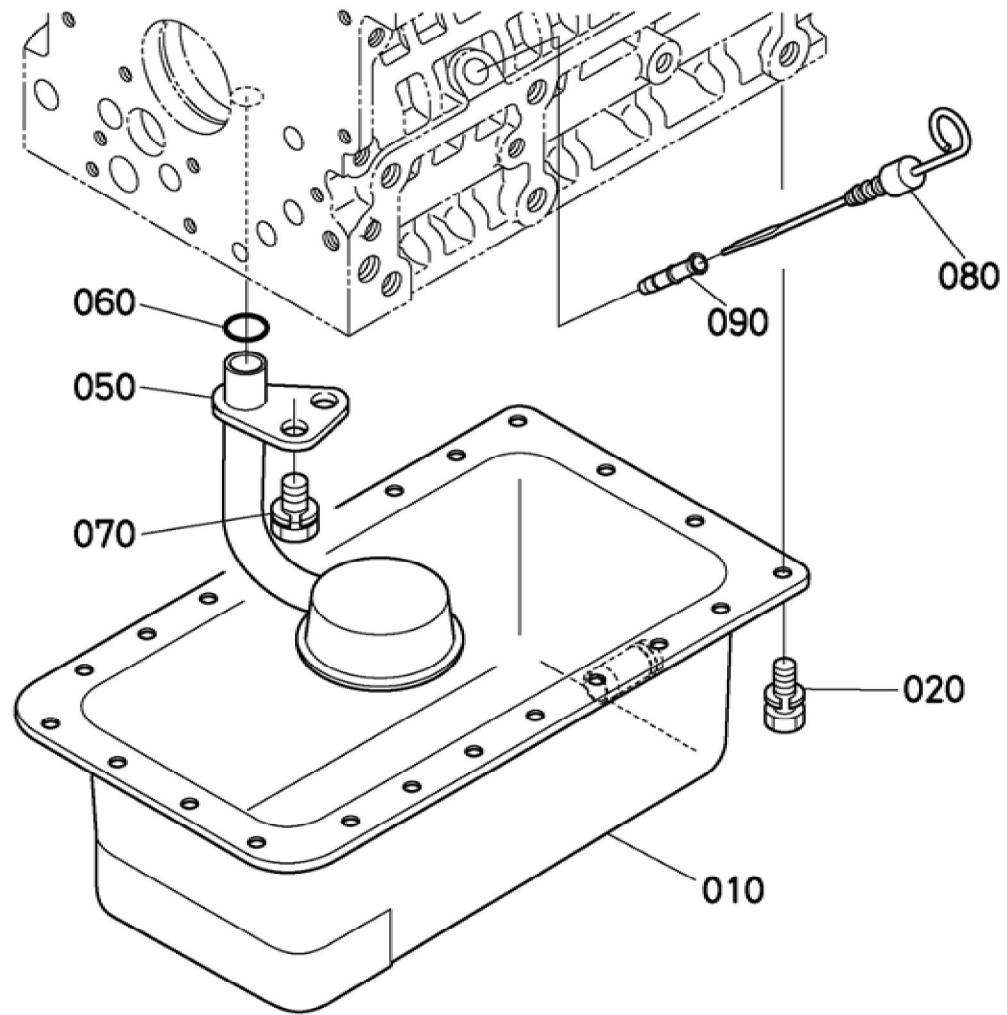


Update Date : 2020/04/27 Print Date : 2022/02/23

No.	Part Number	Part Name (POL)	Part Name (ENG)	QTY	IC	Serial No./PIN	Kg	Remarks
010	16809-01015	KOMP.KURBELGEHAEUSE	COMP.CRANKCASE	1		<=5J9421	14.000	
010	16809-01016	KOMP.KURBELGEHAEUSE	COMP.CRANKCASE	1	>>	>=5L0423	14.000	
010	16809-01018	KOMP.KURBELGEHAEUSE	COMP.CRANKCASE	1	>>	>=6Q0001	14.000	BEACHTEN SIE DEN HINWEIS
010	16809-01019	KOMP.KURBELGEHAEUSE	COMP.CRANKCASE	1	NI	>=9C0001	14.000	
010	16809-01020	KOMP.KURBELGEHAEUSE	COMP.CRANKCASE	1	>>	>=AN0001	20.000	
010	16809-01022	KOMP.KURBELGEHAEUSE	COMP.CRANKCASE	1	>>	>=4CQ0001	20.000	
010	1J093-01020	KOMP.KURBELGEHAEUSE	CRANKCASE, COMP	1	NI	>=4CW0001	20.000	
010	1J093-01022	KOMP.KURBELGEHAEUSE	CRANKCASE, COMP	1	>>	>=4GS0001	20.000	
020	16851-96260	KAPPE	CAP,SEALING	3			0.005	
030	16851-96270	KAPPE	CAP,SEALING	5			0.005	
040	15451-96270	KAPPE	CAP,SEALING	2			0.010	
050	15261-96010	STOPFEN	PLUG	5			0.002	
060	15521-96020	STOPFEN	PLUG	3			0.003	
070	15521-96030	STOPFEN	PLUG	1			0.007	
080	15261-96160	STOPFEN	PLUG,EXPANSION	1			0.020	
090	05012-00508	ZYLINDERSTIFT	PIN,STRAIGHT	2			0.001	
100	05012-00814	ZYLINDERSTIFT	PIN,STRAIGHT	2			0.006	
110	15221-33650	ROHRSTIFT	PIN,PIPE	1			0.004	
120	15231-33960	ROHRSTIFT	PIN,PIPE	2		<=4CPZ999	0.001	
120	17331-59190	ROHRSTIFT	PIN,PIPE	2	>>	>=4CQ0001	0.002	
130	17331-59190	ROHRSTIFT	PIN,PIPE	2		<=9BZ999	0.002	
130	15231-33960	ROHRSTIFT	PIN,PIPE	2	NI	>=9C0001	0.001	
130	17331-59190	ROHRSTIFT	PIN,PIPE	2	>>	>=4CQ0001	0.002	
140	16851-16212	DECKEL	COVER,FUELCAMSHAFT	1			0.030	
160	06311-55020	STOPFEN	PLUG	1			0.031	

Update Date : 2020/04/27 Print Date : 2022/02/23

No.	Part Number	Part Name (POL)	Part Name (ENG)	QTY	IC	Serial No./PIN	Kg	Remarks
165	04724-00130	DICHTUNGSP LATTE	GASKET	1		<=6P9999	0.003	
165	04717-01320	GUMMIUNTE RLAGE	WASHER,SEA L	1	NI	>=6Q0001	0.002	
170	16851-35012	GRP.OELPUM PE	PUMP,ASSY (OIL)	1			0.240	
180	16851-35152	DICHTUNG,O ELPUMPE	GASKET,OIL PUMP NA	1			0.001	
190	15841-91050	BOLZEN	BOLT	3			0.010	
200	15841-35660	ZAHNRAD	GEAR(OIL PUMP DRIVE)	1		<=4DKZ999	0.113	
200	1G687-35660	ZAHNRAD	GEAR(OIL PUMP DRIVE)	1	>>	>=4DL0001	0.070	
200	1G687-35662	ZAHNRAD	GEAR(OIL PUMP DRIVE)	1	>>	>=4EE0001	0.070	
210	05712-00408	KEIL	KEY,FEATHE R	1			0.001	
220	02783-50100	MUTTER	NUT,FLANGE	1		<=4EZZ999	0.010	
220	02771-50100	MUTTER	NUT,FLANGE	1	>>	>=4FA0001	0.005	
230	1A024-39010	OELDRUCKS CHALTER	SWITCH(OIL)	1			0.035	

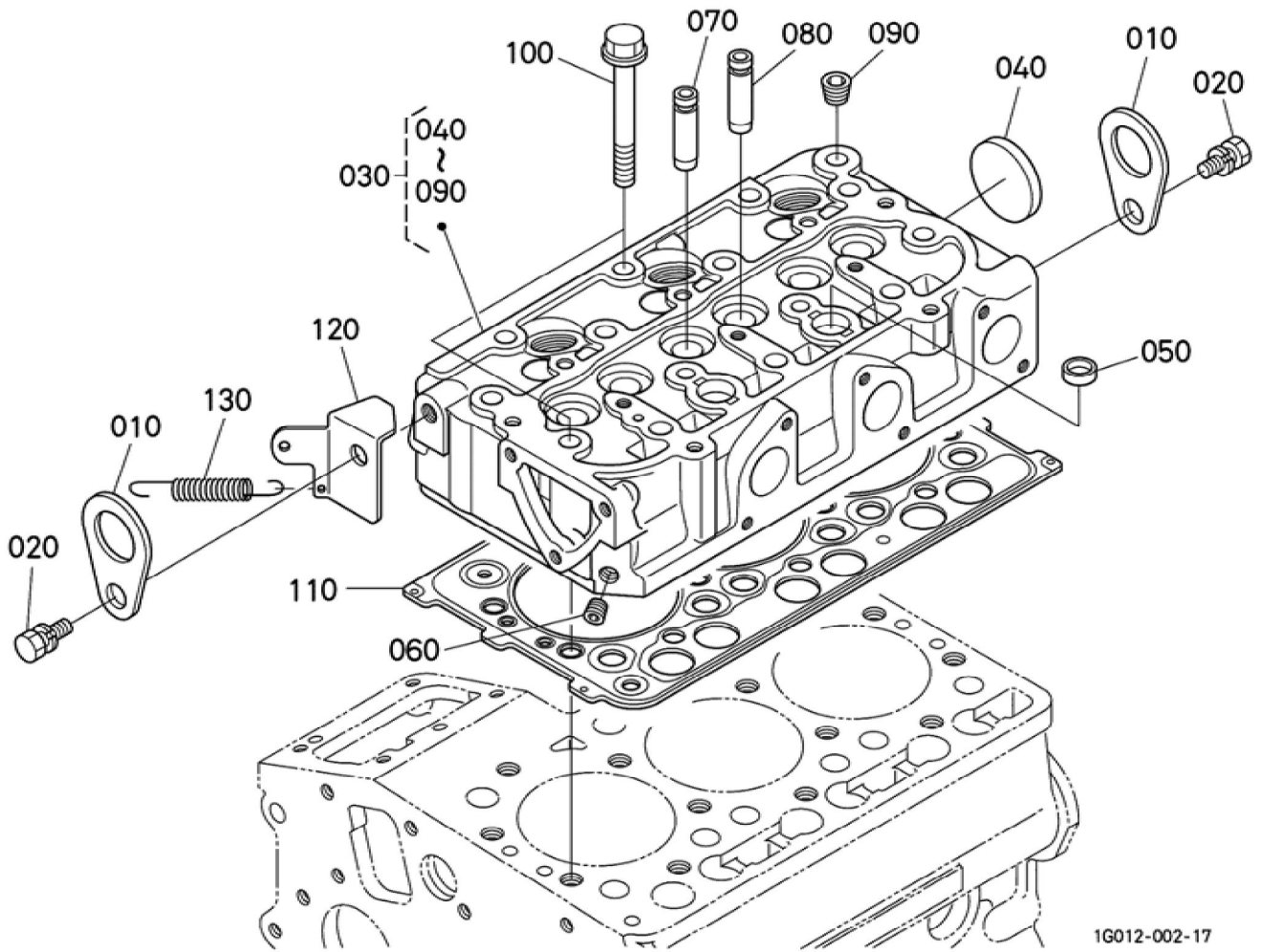


## BKIDA0204 &gt;&gt; U15-3 &gt;&gt; MOTOR / ENGINE &gt;&gt; 000200 OELWANNE / OIL PAN

Update Date : 2020/04/27 Print Date : 2022/02/23

No.	Part Number	Part Name (POL)	Part Name (ENG)	QTY	IC	Serial No./PIN	Kg	Remarks
010	1G012-01500	KOMP.OELW ANNE	COMP.OIL PAN	1			1.450	
020	01023-50614	BOLZEN	BOLT,SEMS	22		<=4CXZ999	0.005	
020	01023-50612	BOLZEN	BOLT,SEMS	22	>>	>=4CY0001	0.005	
050	16851-32110	OELFILTER	FILTER,OIL	1			0.110	
060	04814-00160	O RING	O RING	1			0.001	
070	01123-50814	BOLZEN	BOLT,SEMS	1			0.010	
080	1E051-36412	OELMESSST AB	GAUGE,OIL	1			0.048	
090	17456-36420	FUEHRUNG, OELMESSST AB	GUIDE (GAUGE,OIL)	1			0.030	

Update Date : 2020/04/27 Print Date : 2022/02/23



1G012-002-17



**Download the full PDF manual instantly.**

**Our customer service e-mail:**

**[aservicemanualpdf@yahoo.com](mailto:aservicemanualpdf@yahoo.com)**