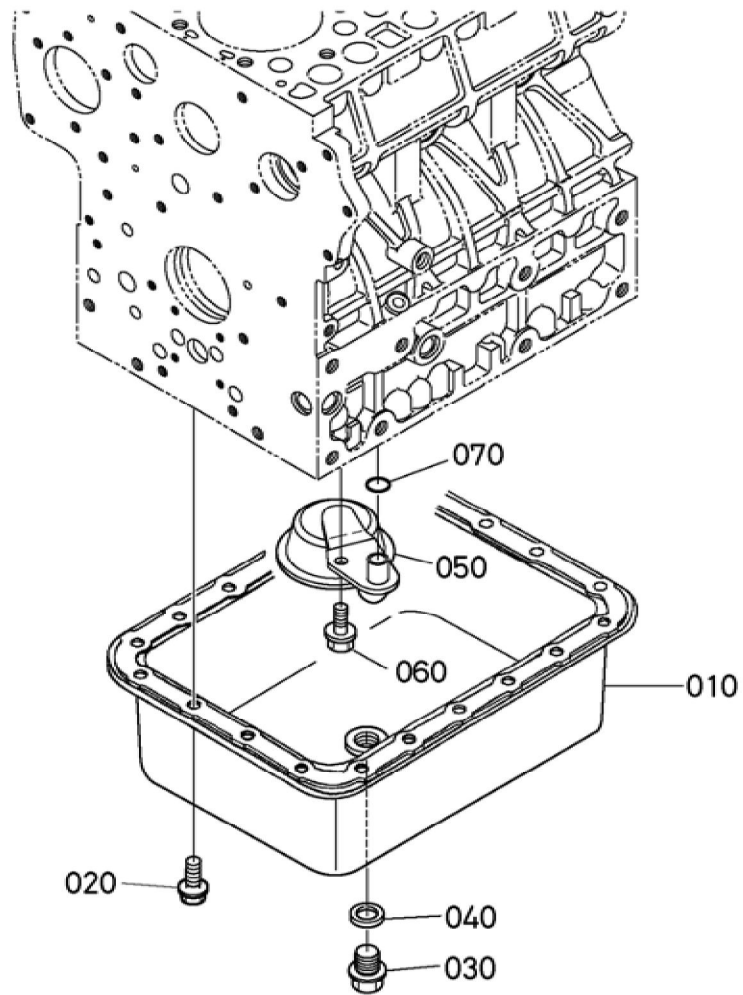


BKIDA5193 >> KX042-4A >> MOTOR / ENGINE >> 500000 KURBELGHAEUSE / CRANKCASE

Update Date : 16-04-2020 Print Date : 09-02-2022

No.	Part Number	Part Name (POL)	Part Name (ENG)	QTY	IC	Serial No./PIN	Kg	Remarks
010	1J805-01013	KOMP.KURBELGEHAEUSE	CRANKCASE, COMP	1			50.000	
020	15521-96020	STOPFEN	PLUG	4			0.003	
030	15521-96030	STOPFEN	PLUG	2			0.007	
040	17391-96160	STOPFEN	PLUG,EXPANSION	3			0.003	
050	16271-96160	STOPFEN	PLUG,EXPANSION	1			0.025	
060	15221-03380	STOPFEN	CAP,SEALING	3			0.017	
070	1J860-71010	KOMP.WASSERROHR	PIPE,COMP	2			0.063	
071	17331-73342	WASSERROHR	PIPE,WATER RETURN	2			0.010	
080	15221-03390	STOPFEN	CAP,SEALING	2			0.030	
090	05012-00609	ZYLINDERSTIFT	PIN,STRAIGHT	2			0.003	
100	05012-00612	ZYLINDERSTIFT	PIN, STRAIGHT	2			0.003	
110	05012-01018	ZYLINDERSTIFT	PIN,STRAIGHT	1			0.012	
120	15221-33650	ROHRSTIFT	PIN,PIPE	1			0.004	
130	15321-73340	WASSERROHR	PIPE(WATER RETURN)	1			0.016	
140	1J801-05840	KOMP.ROHR	PIPE,COMP (OIL RETURN)	1			0.060	
150	1E013-35013	GRP.OELPUMPE	ASSY PUMP,OIL	1			0.570	
160	1A021-35150	DICHTUNGSPLATTE	GASKET,OIL PUMP	1			0.001	
170	01023-50650	BOLZEN	BOLT,SEMS	4			0.012	
180	1G896-35660	ZAHNRAD	GEAR,OIL PUMP DRIVE	1			0.135	
190	05712-00410	KEIL	KEY,FEATHER	1			0.001	
200	15221-35682	MUTTER	NUT	1			0.014	

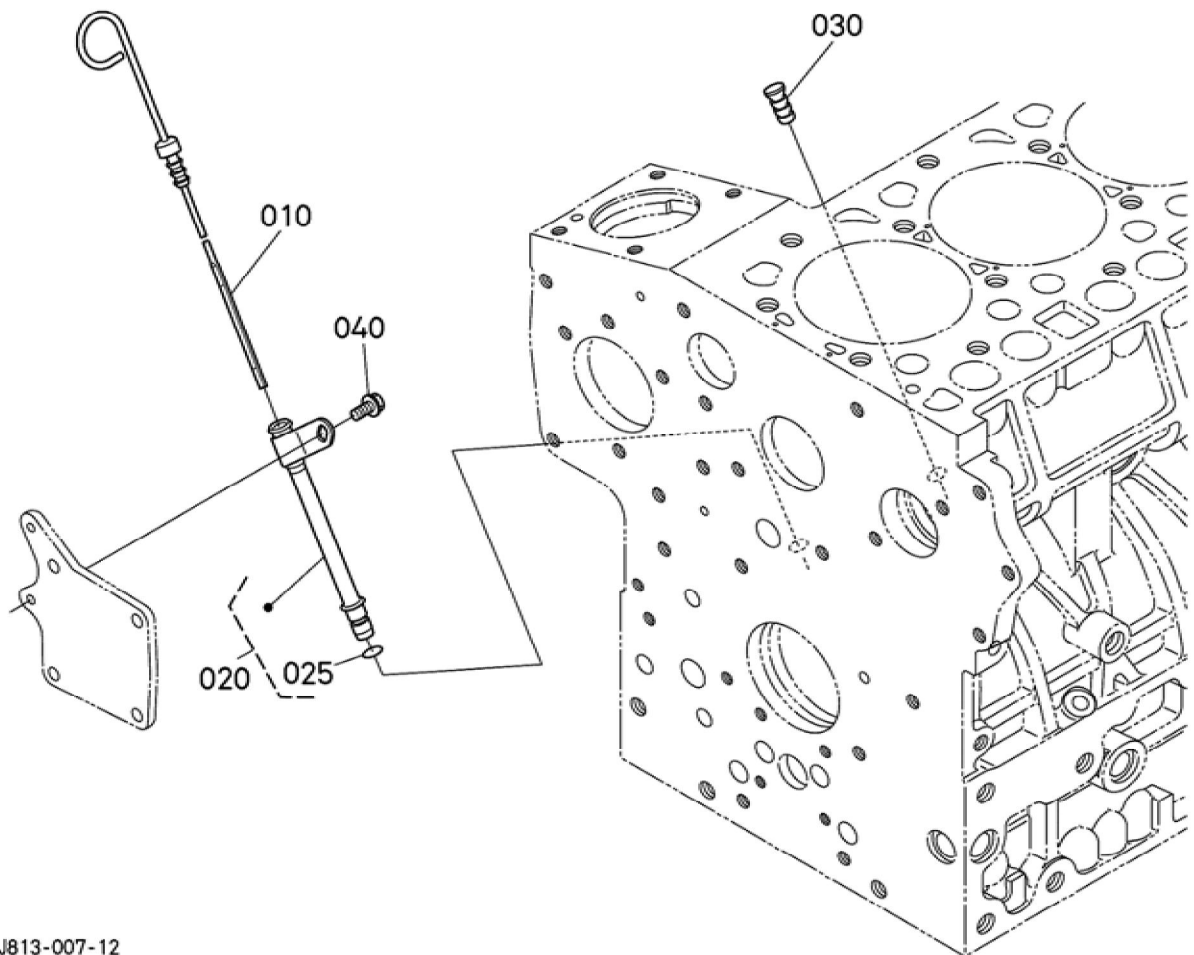


BKIDA5193 >> KX042-4A >> MOTOR / ENGINE >> 501000 OELWANNE / OIL PAN

Update Date : 16-04-2020 Print Date : 09-02-2022

No.	Part Number	Part Name (POL)	Part Name (ENG)	QTY	IC	Serial No./PIN	Kg	Remarks
010	17077-01615	OELWANNE	OIL PAN	1			1.980	
020	17333-91013	SCHRAUBE	BOLT,FLANG E	20			0.030	
030	15707-33750	ENTLEERUN GSSTOPFEN	PLUG(DRAIN)	1			0.095	
040	15451-96670	DICHTUNG	PACKING	1			0.003	
050	15628-32110	OELFILTER	FILTER,OIL	1			0.225	
060	01754-50812	SCHRAUBE	BOLT,FLANG E	1			0.008	
070	04817-00160	O RING	O RING	1			0.001	

Update Date : 16-04-2020 Print Date : 09-02-2022



1J813-007-12



Download the full PDF manual instantly.

Our customer service e-mail:

aservicemanualpdf@yahoo.com