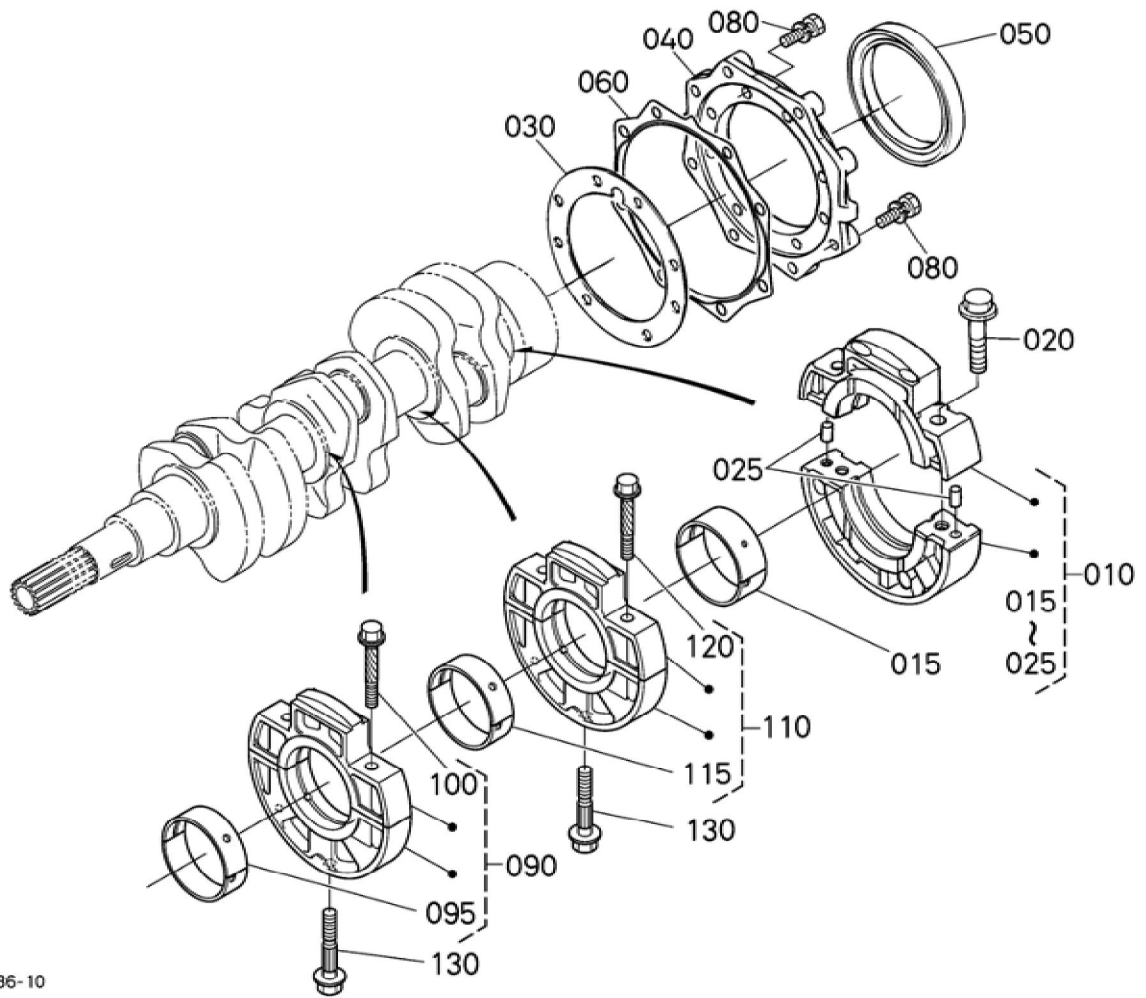


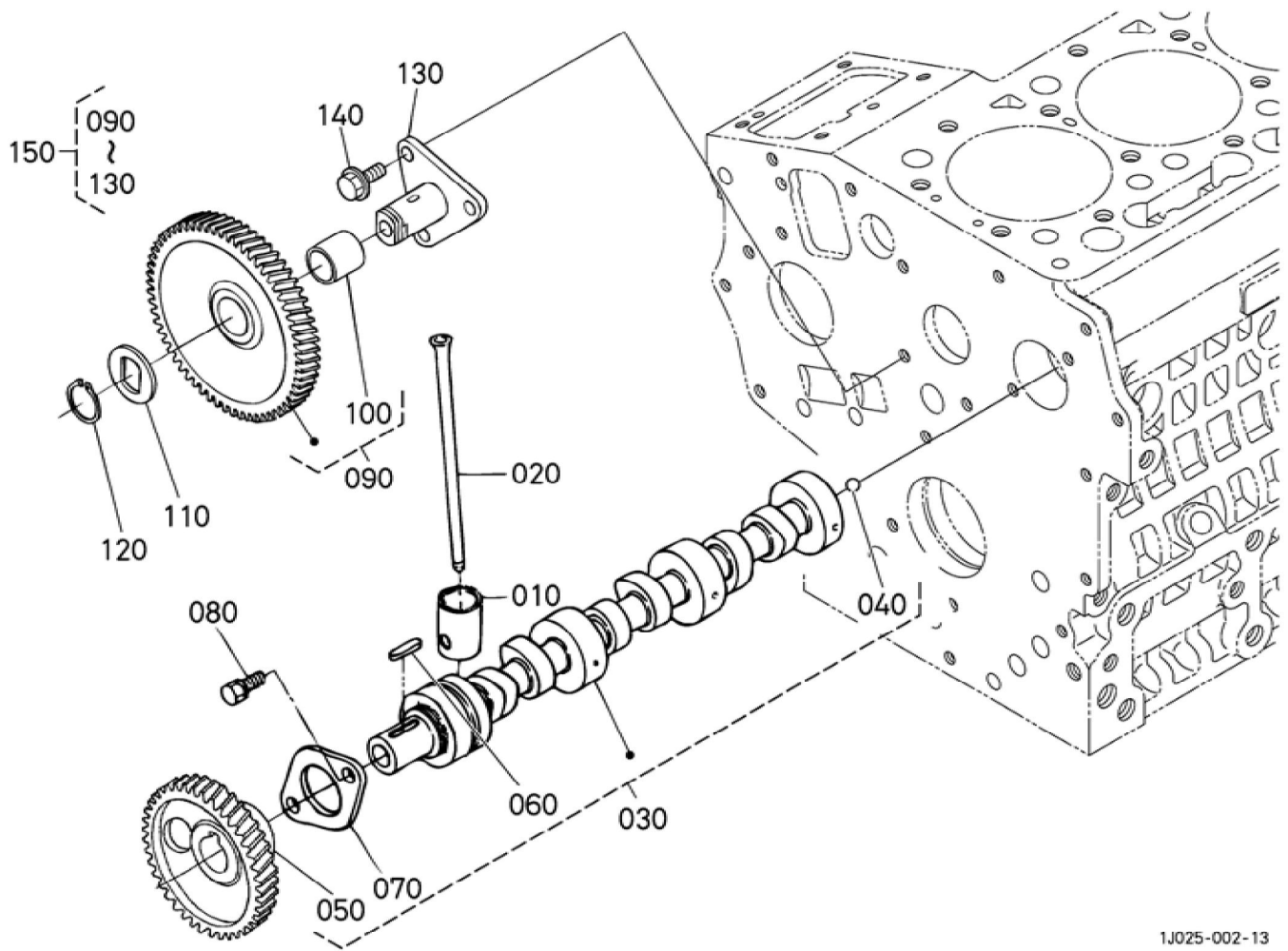
Update Date : 2020/01/06 Print Date : 2022/02/24



Update Date : 2020/01/06 Print Date : 2022/02/24

No.	Part Number	Part Name (POL)	Part Name (ENG)	QTY	IC	Serial No./PIN	Kg	Remarks
010	1J002-07090	GRP.LAGERGEHAEUSE	BRG.CASE,FULL ASSY (W,MAIN)	1			0.335	
015	1G460-23823	LAGERSCHAULE	METAL,ASSY (2,CRANKSHAFT)	1			0.040	STD/SET
020	01754-50840	SCHRAUBE	BOLT,FLANGE	2			0.020	
025	05012-00608	ZYLINDERSTIFT	PIN,STRAIGHT	2			0.002	
030	15852-04360	DICHTUNG,LAGER	GASKET,BEARING CASE	1			0.005	
040	15841-04815	DECKEL,LAGERKASTEN	COVER,BEARING CASE	1			0.160	
050	1G460-04460	OELDICHTUNGSRING	SEAL,OIL	1			0.032	
060	15841-04823	DICHTUNG	GASKET,CASE COVER	1			0.007	
080	01023-50622	BOLZEN	BOLT,SEMS	16			0.005	
090	1G687-07042	LAGERGEHAEUSE,KOMP.	BRG.CASE,FULL ASSY (1,MAIN)	1			0.588	
095	1G460-23833	LAGERSCHAULE	METAL,ASSY (3,CRANKSHAFT)	1			0.040	STD SET
100	1G460-04543	BOLZEN	BOLT,BEARING CASE	2			0.014	
110	1G687-07052	LAGERGEHAEUSE,KOMP.	BRG.CASE,FULL ASSY (2,MAIN)	1			0.596	
115	1G460-23833	LAGERSCHAULE	METAL,ASSY (3,CRANKSHAFT)	1			0.040	STD SET
120	1G460-04543	BOLZEN	BOLT,BEARING CASE	2			0.014	
130	15841-04562	BOLZEN,LAGERKASTEN	BOLT,BEARING CASE	2			0.020	

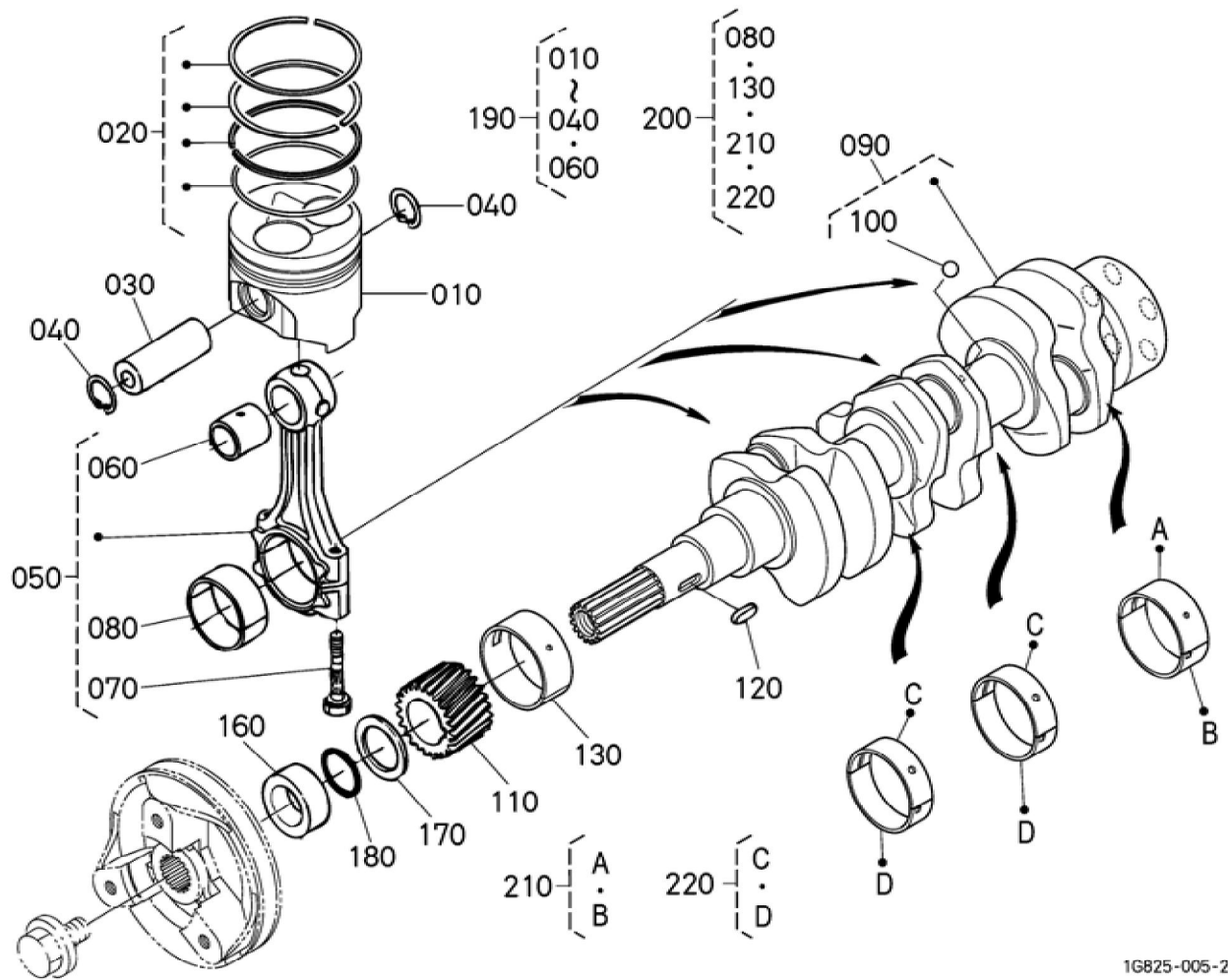
Update Date : 2020/01/06 Print Date : 2022/02/24



Update Date : 2020/01/06 Print Date : 2022/02/24

No.	Part Number	Part Name (POL)	Part Name (ENG)	QTY	IC	Serial No./PIN	Kg	Remarks
010	16851-15552	STOESSEL	TAPPET	6			0.024	
020	16851-15110	STOESSELSTANGE	ROD,PUSH	6			0.020	
030	1G960-16010	GRP.NOCKENWELLE	CAMSHAFT,ASSY	1			1.080	
040	07715-00401	KUGEL	BALL 1/4	1			0.001	
050	1G687-16510	ZAHNRAD	GEAR(CAM)	1			0.267	
060	05712-00518	KEIL	FEATHER KEY	1			0.003	
070	15841-16270	NOCKENWELLENSPERRPLATTE	STOPPER (CAMSHAFT)	1			0.027	
080	01023-50612	BOLZEN	BOLT,SEMS	2			0.005	
090	15875-24015	ZAHNRAD KOMPL.	COMP.GEAR,IDLE	1			0.380	
100	15875-24284	BUCHSE	BUSH	1			0.010	
110	15875-24370	HUELSE	COLLAR(IDLE GEAR)	1			0.006	
120	15875-24320	VERSCHLUSSRING	RING,SNAP	1			0.003	
130	15875-24250	WELLE	SHAFT,IDLE GEAR	1			0.130	
140	01754-50612	SCHRAUBE	BOLT,FLANGE	3			0.005	
150	15875-99342	ZAHNRADSAITZ	ASSY GEAR,IDLE SER/V	1			0.520	OPTION

Update Date : 2020/01/06 Print Date : 2022/02/24





Download the full PDF manual instantly.

Our customer service e-mail:

aservicemanualpdf@yahoo.com