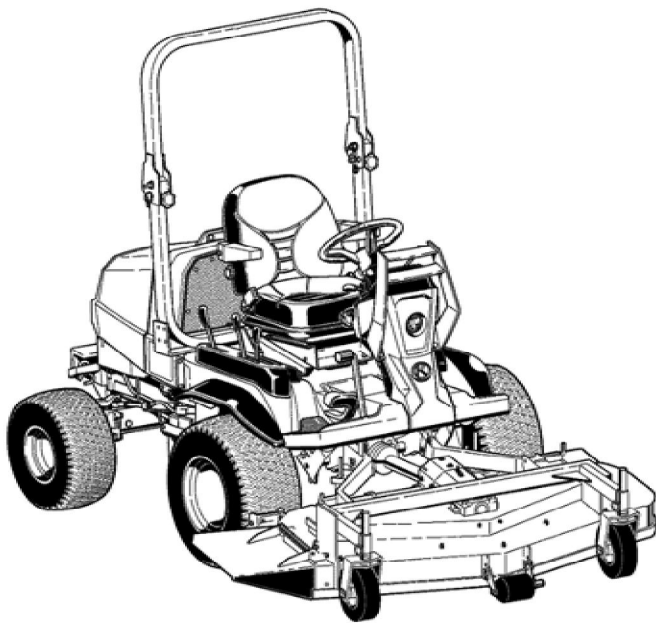


Update Date : 2021/01/29 Print Date : 2022/02/18

F251E-EU

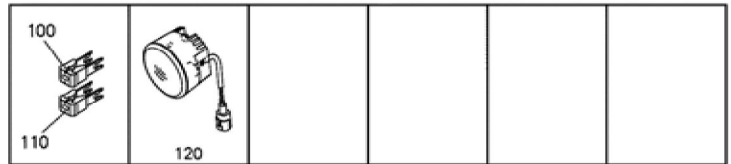
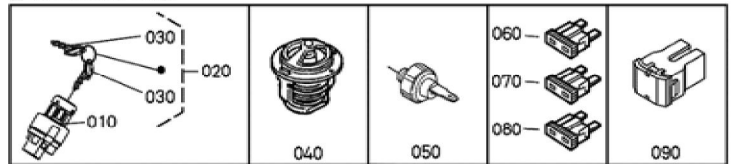


FUJGF-059-10

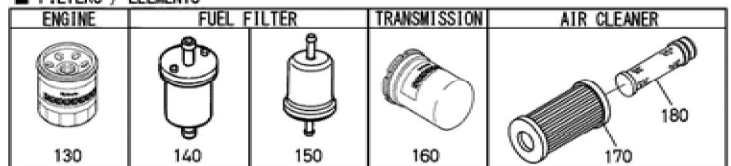
Item	Capacity	Change Interval
Engine Oil	3.8L	after the first 50 hours of operation. Every 200 hours
Engine Oil Filter		after the first 50 hours of operation. Every 200 hours

Kubota

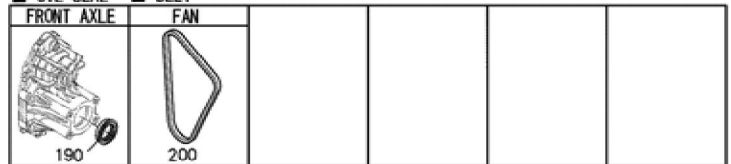
■ ELECTRICAL PARTS



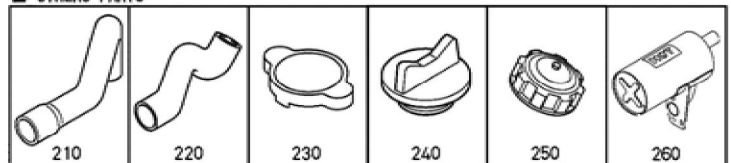
■ FILTERS / ELEMENTS

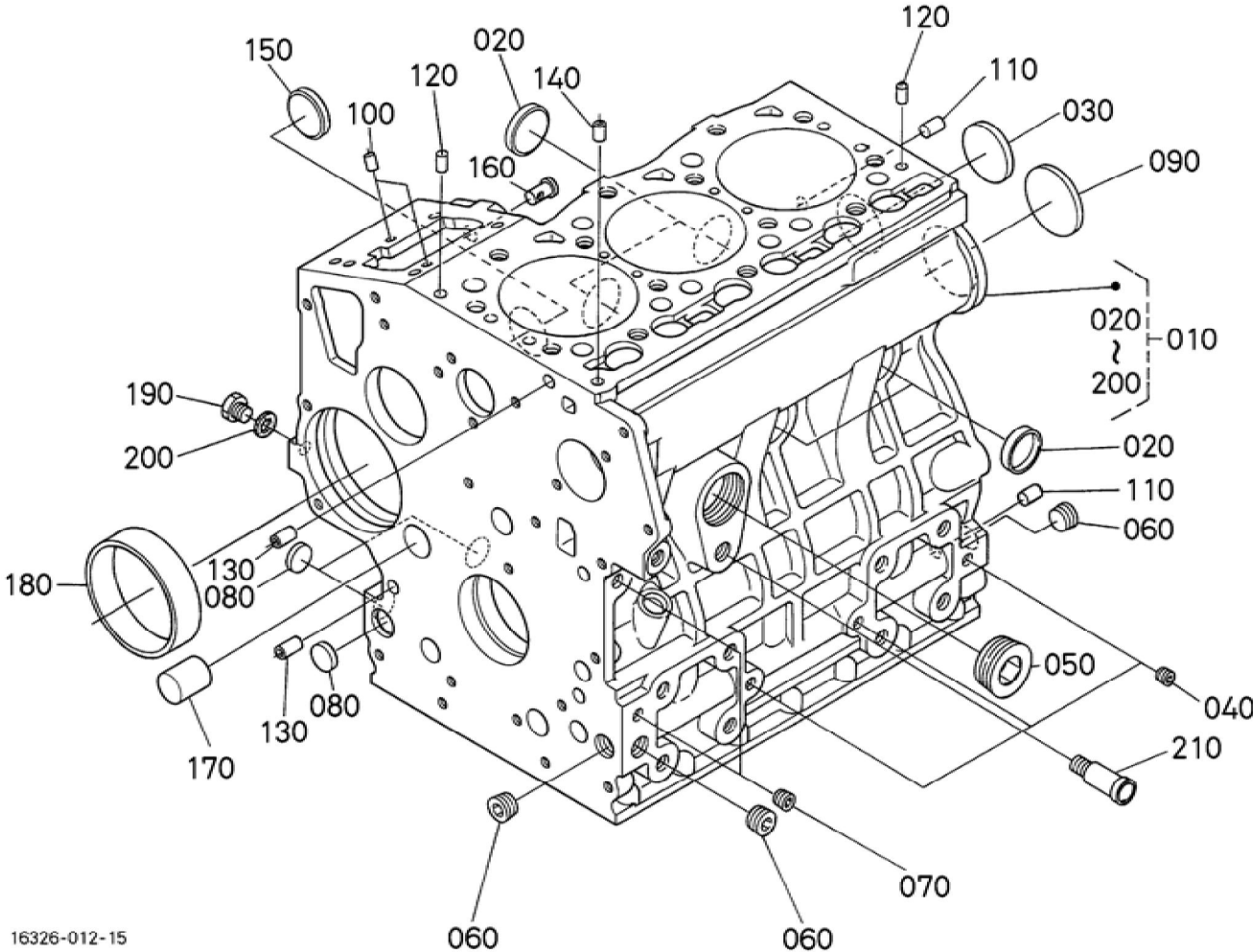


■ OIL SEAL ■ BELT



■ OTHERS PARTS

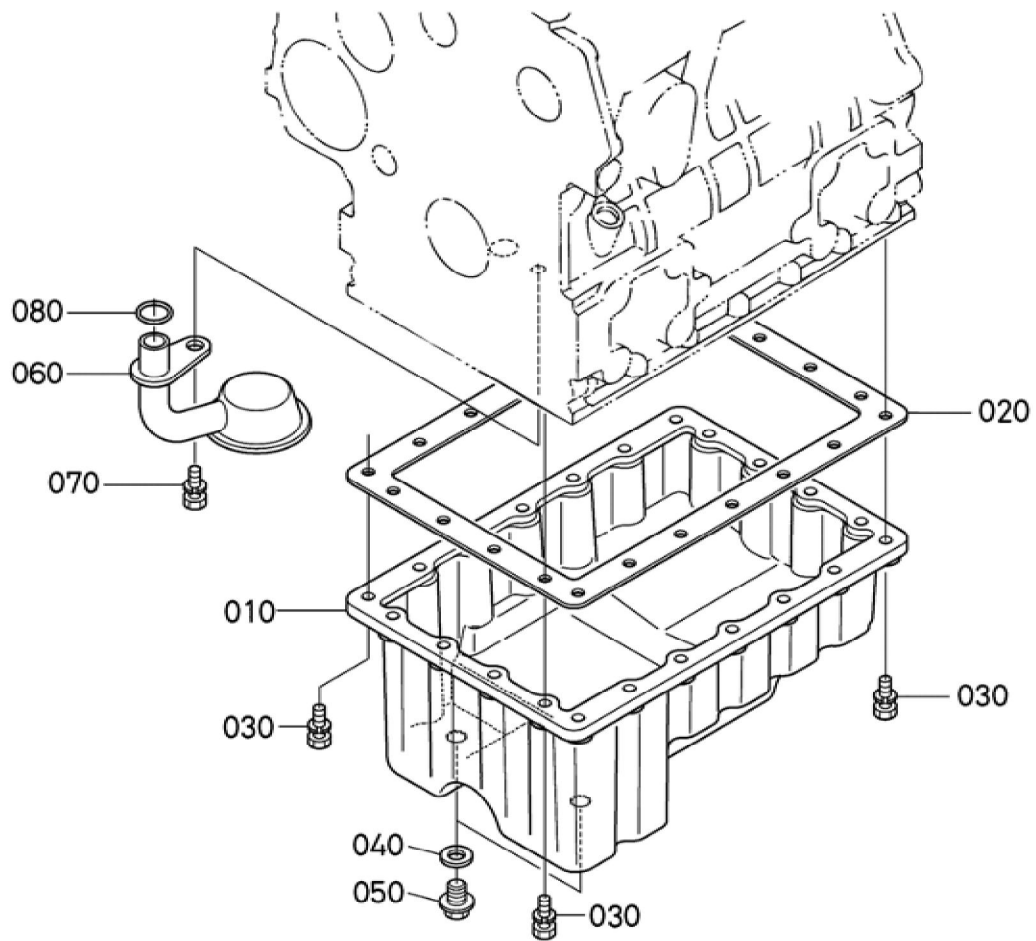




BKIDA5200 >> F251E-EU >> MOTOR / ENGINE >> 000100 KURBELGHAEUSE / CRANKCASE

Update Date : 2021/01/29 Print Date : 2022/02/18

No.	Part Number	Part Name (POL)	Part Name (ENG)	QTY	IC	Serial No./PIN	Kg	Remarks
010	1G870-01012	KOMP.KURBELGEHAEUSE	COMP.CRANKCASE	1			30.000	
020	15451-96270	KAPPE	CAP,SEALING	4			0.010	
030	15221-03490	STOPFEN	CAP,SEALING	1			0.020	
040	15261-96010	STOPFEN	PLUG	3			0.002	
050	16683-96020	STOPFEN	PLUG	1			0.088	
060	16241-96010	STOPFEN	PLUG	3			0.007	
070	15521-96020	STOPFEN	PLUG	2			0.003	
080	17391-96160	STOPFEN	PLUG,EXPANSION	3			0.003	
090	16271-96160	STOPFEN	PLUG,EXPANSION	1			0.025	
100	05012-00508	ZYLINDERSTIFT	PIN,STRAIGHT	2			0.001	
110	05012-00814	ZYLINDERSTIFT	PIN,STRAIGHT	2			0.006	
120	05012-00610	ZYLINDERSTIFT	PIN,STRAIGHT	2			0.003	
130	15231-33960	ROHRSTIFT	PIN,PIPE	2			0.001	
140	16241-33650	ROHRSTIFT	PIN,PIPE	1			0.002	
150	16241-96262	STOPFEN	PLUG,FUELCAMSHAFT	1			0.007	
160	16261-56280	STARTFEDERSTIFT	PIN(START SPRING)	1			0.004	
170	16282-96010	STOPFEN	PLUG	1			0.090	
180	16271-55350	BUCHSE	BUSHING (GEAR,GOVERNOR)	1			0.060	
190	1G896-33610	BOLZEN	PLUG	1			0.008	
200	15021-33660	DICHTUNGSPLATTE	PACKING	1			0.001	
210	15321-73340	WASSERROHR	PIPE(WATER RETURN)	1			0.016	

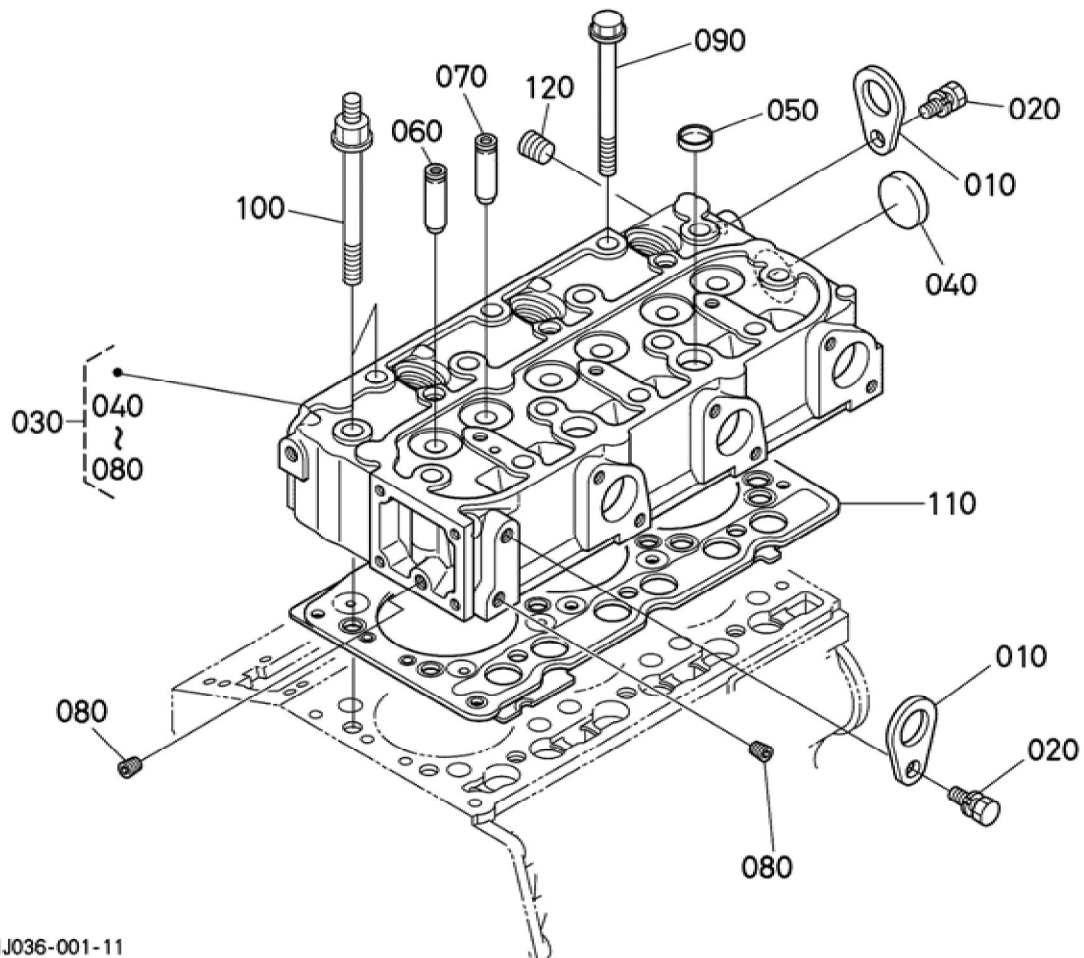


BKIDA5200 >> F251E-EU >> MOTOR / ENGINE >> 000200 OELWANNE / OIL PAN

Update Date : 2021/01/29 Print Date : 2022/02/18

No.	Part Number	Part Name (POL)	Part Name (ENG)	QTY	IC	Serial No./PIN	Kg	Remarks
010	1G870-01610	OELWANNE	OIL PAN	1			1.540	
020	16261-01630	DICHTUNG	GASKET,OIL PAN	1			0.001	
030	01023-50620	BOLZEN	BOLT,SEMS	22			0.006	
040	6C090-58960	DICHTUNGSP LATTE	GASKET	2			0.005	
050	13901-33750	ENTLEERUN GSSTOPFEN	PLUG,DRAIN	2			0.025	
060	16218-32113	OELFILTER	FILTER,OIL	1			0.100	
070	01123-50816	SCHRAUBE	BOLT,SEMS	1			0.011	
080	04814-00160	O RING	O RING	1			0.001	

Update Date : 2021/01/29 Print Date : 2022/02/18



1J036-001-11



Download the full PDF manual instantly.

Our customer service e-mail:

aservicemanualpdf@yahoo.com