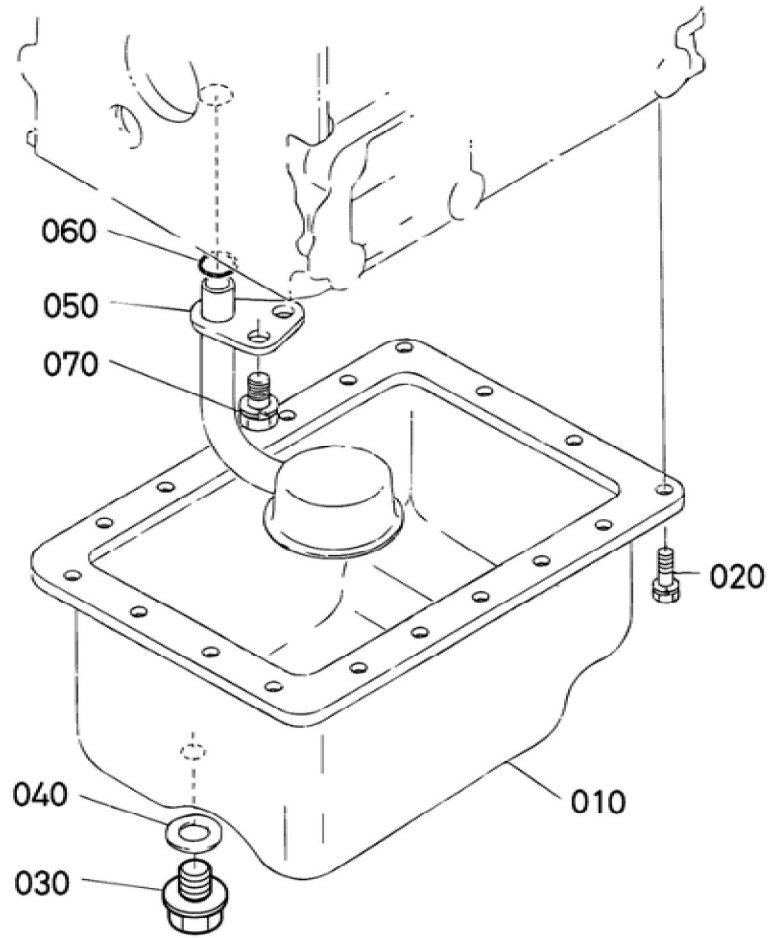


## BKIDA5093 &gt;&gt; F1900D2 &gt;&gt; MOTOR / ENGINE &gt;&gt; 000100 KURBELGEHAEUSE / CRANK CASE

Update Date : 2020/04/27 Print Date : 2022/02/16

No.	Part Number	Part Name (POL)	Part Name (ENG)	QTY	IC	Serial No./PIN	Kg	Remarks
010	1J092-01020	KOMP.KURBELGEHAEUSE	CRANKCASE, COMP	1			20.500	
020	16851-96260	KAPPE	CAP,SEALING	3			0.005	
030	16851-96270	KAPPE	CAP,SEALING	5			0.005	
040	15451-96270	KAPPE	CAP,SEALING	2			0.010	
050	15261-96010	STOPFEN	PLUG	5			0.002	
060	15521-96020	STOPFEN	PLUG	3			0.003	
070	15521-96030	STOPFEN	PLUG	1			0.007	
080	15261-96160	STOPFEN	PLUG,EXPANSION	1			0.020	
090	05012-00508	ZYLINDERSTIFT	PIN,STRAIGHT	2			0.001	
100	05012-00814	ZYLINDERSTIFT	PIN,STRAIGHT	2			0.006	
110	15221-33650	ROHRSTIFT	PIN,PIPE	1			0.004	
120	17331-59190	ROHRSTIFT	PIN,PIPE	2			0.002	
130	17331-59190	ROHRSTIFT	PIN,PIPE	2			0.002	
140	16851-16212	DECKEL	COVER,FUEL CAMSHAFT	1			0.030	
150	16871-73020	GRP.ABLASSHAHN	COCK,ASSY (DRAIN)	1			0.034	

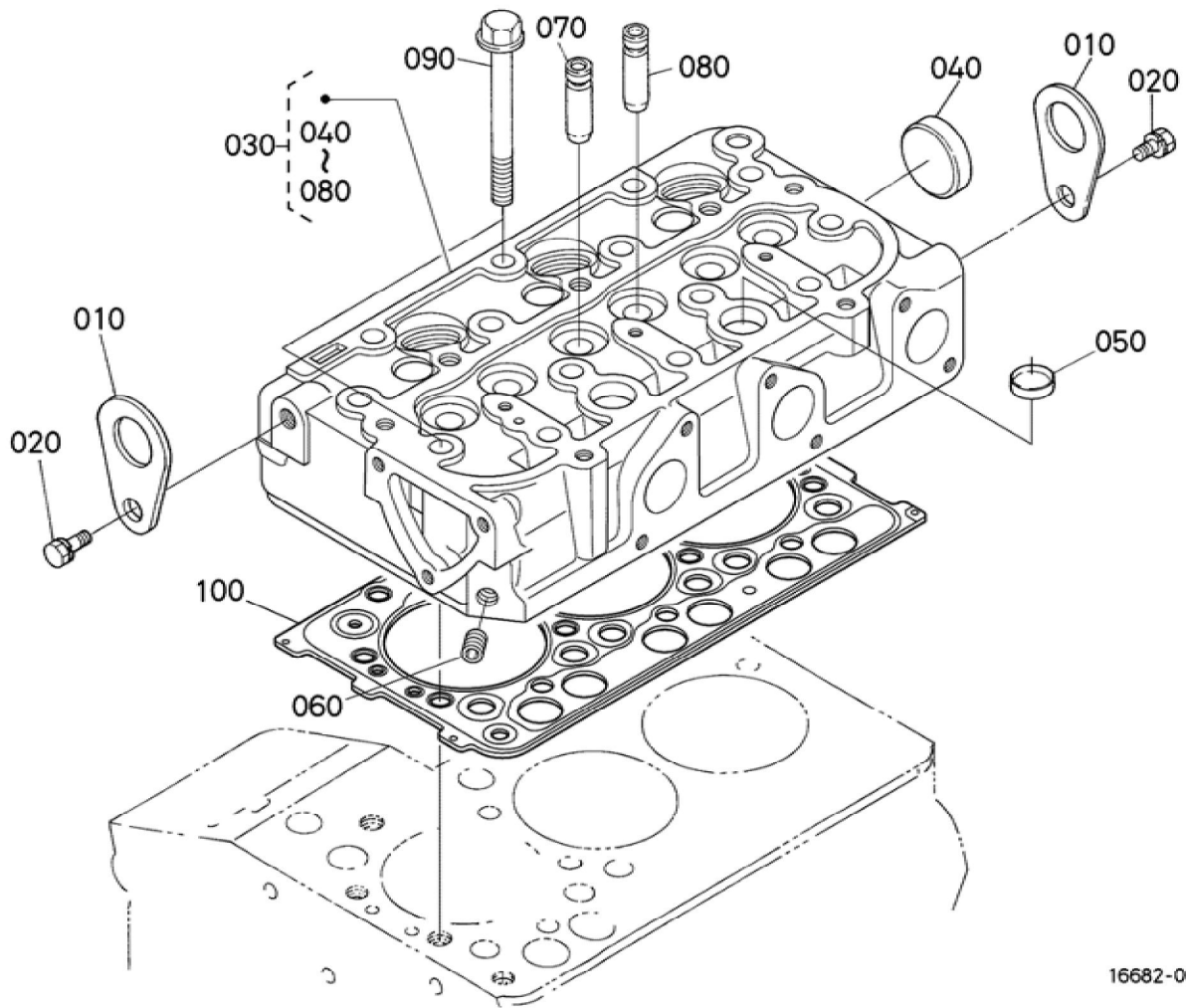


## BKIDA5093 &gt;&gt; F1900D2 &gt;&gt; MOTOR / ENGINE &gt;&gt; 000200 OELWANNE / OIL PAN

Update Date : 2020/04/27 Print Date : 2022/02/16

No.	Part Number	Part Name (POL)	Part Name (ENG)	QTY	IC	Serial No./PIN	Kg	Remarks
010	16872-01500	KOMP.OELW ANNE	COMP.OIL PAN	1			0.500	
020	01023-50612	BOLZEN	BOLT,SEMS	18			0.005	
030	13901-33750	ENTLEERUN GSSTOPFEN	PLUG,DRAIN	1			0.025	
040	6C090-58960	DICHTUNGSP LATTE	GASKET	1			0.005	
050	16851-32110	OELFILTER	FILTER,OIL	1			0.110	
060	04814-00160	O RING	O RING	1			0.001	
070	01123-50814	BOLZEN	BOLT,SEMS	1			0.010	

Update Date : 2020/04/27 Print Date : 2022/02/16





**Download the full PDF manual instantly.**

**Our customer service e-mail:**

**[aservicemanualpdf@yahoo.com](mailto:aservicemanualpdf@yahoo.com)**