

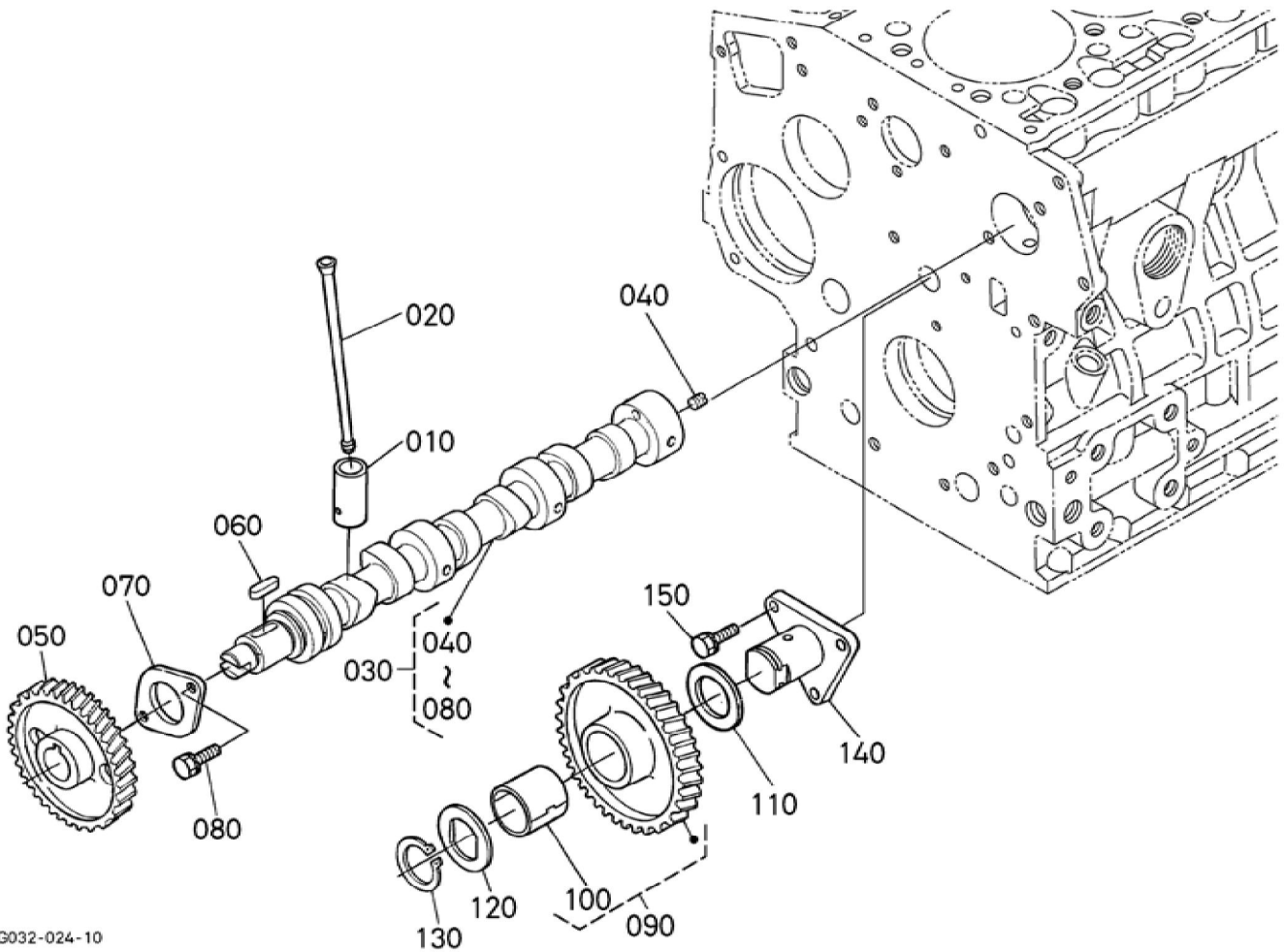
16212-003-13

BKIDK0505 >> BX2200D >> MOTOR / ENGINE >> 010000 HAUPTLAGERGEHÄUSE / MAIN BEARING CASE

Update Date : 05-04-2018 Print Date : 11-02-2022

No.	Part Number	Part Name (POL)	Part Name (ENG)	QTY	IC	Serial No./PIN	Kg	Remarks
010	16241-04092	GRP.LAGERG EHAEUSE	ASSY CASE MAIN BRG.	1			1.130	
020	16241-04540	BOLZEN,LAG ERKASTEN	BOLT BEARING CASE	2			0.020	
030	16264-04360	DICHTUNG	GASKET BRG.CASE	1			0.002	
040	16241-04813	DECKEL,LAG ERKASTEN	COVER BEARING CASE	1			0.220	
050	16271-04460	OELDICHTUN GSRING	SEAL OIL	1			0.040	
060	16264-04820	DICHTUNGSP LATTE	GASKET	1			0.008	
070	01023-50625	BOLZEN	BOLT	8			0.007	
080	01023-50620	BOLZEN	BOLT	9			0.006	
090	16261-04040	GRP.LAGERG EHAEUSE	ASSY CASE MAIN BRG.	1			0.900	
100	16241-04540	BOLZEN,LAG ERKASTEN	BOLT BEARING CASE	2			0.020	
110	16241-04560	BOLZEN,LAG ERKASTEN	BOLT BEARING CASE	2			0.030	
120	16261-04050	GRP.LAGERG EHAEUSE	ASSY CASE MAIN BRG.	1			1.110	
130	16241-04540	BOLZEN,LAG ERKASTEN	BOLT BEARING CASE	2			0.020	

Update Date : 05-04-2018 Print Date : 11-02-2022

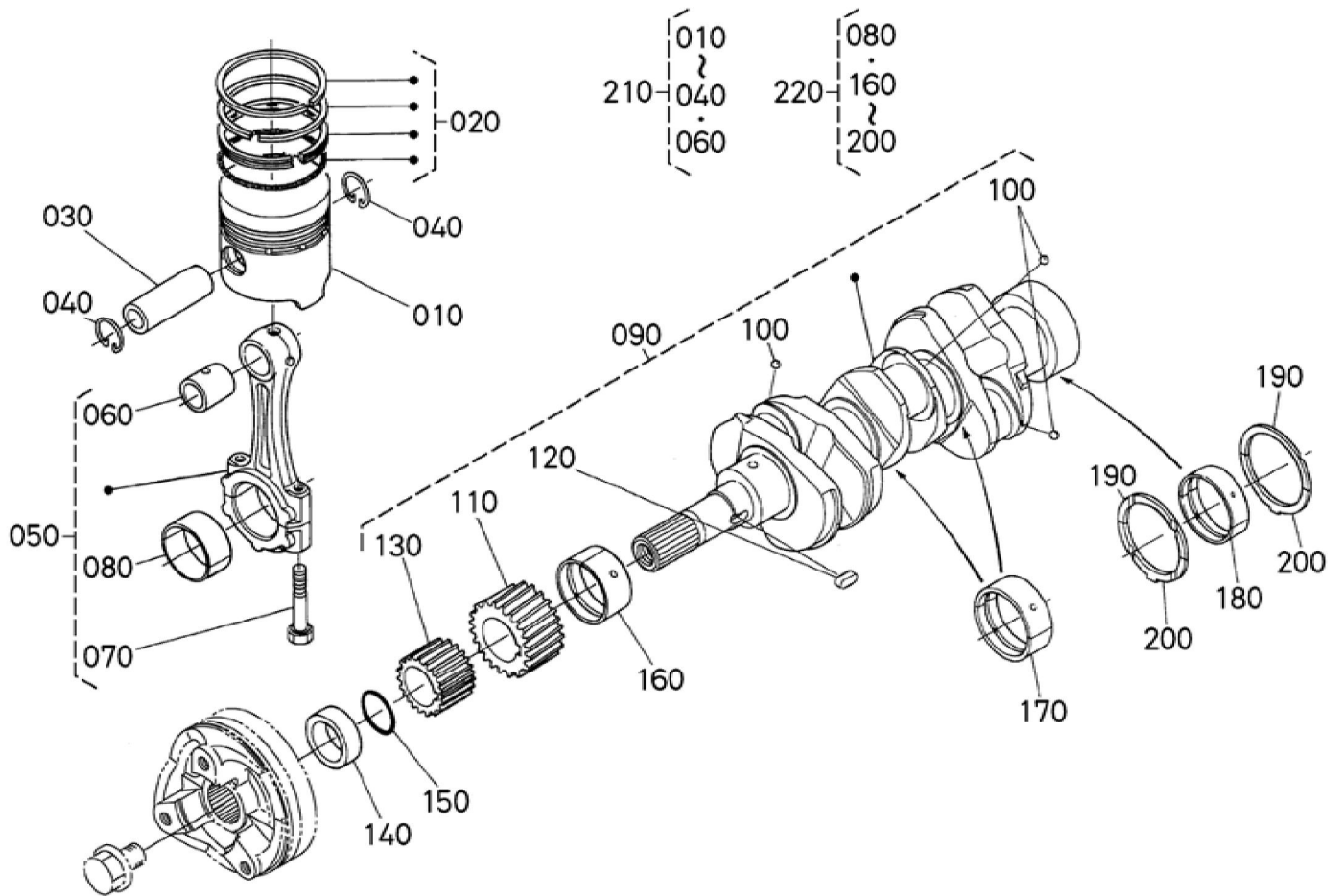


1G032-024-10

Update Date : 05-04-2018 Print Date : 11-02-2022

No.	Part Number	Part Name (POL)	Part Name (ENG)	QTY	IC	Serial No./PIN	Kg	Remarks
010	16261-15550	STOESSEL	TAPPET	6			0.035	
020	16241-15110	STOESSELSTANGE	PUSH ROD	6			0.030	
030	16261-16010	GRP.NOCKENWELLE	ASSY CAMSHAFT	1			1.700	
040	15521-93610	ANSCHLAGSCHRAUBE	SCREW SET	1			0.002	
050	16241-16510	ZAHNRAD	GEAR CAM	1			0.450	
060	05712-00518	KEIL	KEY FEATHER	1			0.003	
070	16241-16270	NOCKENWELLENSPERRPLATTE	STOPPER CAMSHAFT	1			0.040	
080	01023-50614	BOLZEN	BOLT	2			0.005	
080	01023-50616	BOLZEN	BOLT	2	=		0.006	
090	16271-24010	ZAHNRAD	COMP GEAR IDLE	1			0.600	
100	16251-24980	BUCHSE	BUSH IDLE GEAR	1			0.035	
110	16241-24360	HUELSE	COLLAR IDLE GEAR	1			0.010	
120	16241-24370	HUELSE	COLLAR IDLE GEAR	1			0.012	
130	16241-24320	SEEGERING	CIR CLIP IDLE GEAR	1			0.003	
140	16241-24250	WELLE	SHAFT IDLE GEAR	1			0.255	
150	01023-50616	BOLZEN	BOLT	3			0.006	

Update Date : 05-04-2018 Print Date : 11-02-2022





Download the full PDF manual instantly.

Our customer service e-mail:

aservicemanualpdf@yahoo.com